

# Fertiliser and Lime Spreaders

---

AS Range











# HISTORY

Founded in 2006, Agri-Spread International are a family-owned agricultural machinery manufacturer based in Ballyhaunis, Co Mayo. Over the years the company has developed an extensive range of agricultural machinery. With over 50-year's experience, the company operates from a purpose-built factory which boasts the latest in manufacturing and engineering technology (laser cutting, folding, welding and paint preparation/spraying).

The company markets its extensive range of agricultural machinery under the Agri-Spread brand which now includes Agri-Spread Australia and Agri-Spread North America. Currently, the company's products are exported to over a dozen countries including Australia, New Zealand, Canada, United States, Netherlands, South Africa and the United Kingdom with new markets being developed annually.

Constantly innovating and designing new products, Agri-Spread aim to become a leader in the fertiliser and lime spreading sector by increasing home, export sales and adding new markets for its products.







# CONTACT & COMPANY OVERVIEW

## Head Office and Manufacturing Plant

### Managing Director

**David Murphy**

Tel: +353 86 3526132

Email: [dmurphy@agrispread.com](mailto:dmurphy@agrispread.com)

### Business Development

**Terry Reilly**

Tel: +353 89 409 1989

Email: [terry@agrispread.com](mailto:terry@agrispread.com)

### Technical Department

**Dermot Murphy**

Tel: +353 86 8585968

Email: [dermot@agrispread.com](mailto:dermot@agrispread.com)

### Finance Department

**Alan Rattigan**

Tel: +353 94 96 31808

Email: [alanrattigan@agrispread.com](mailto:alanrattigan@agrispread.com)

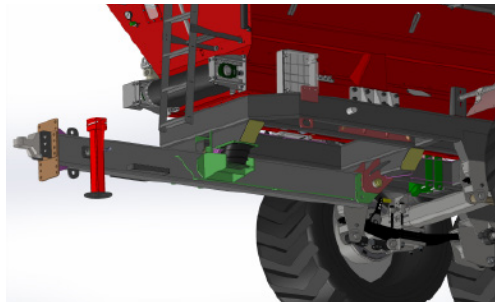
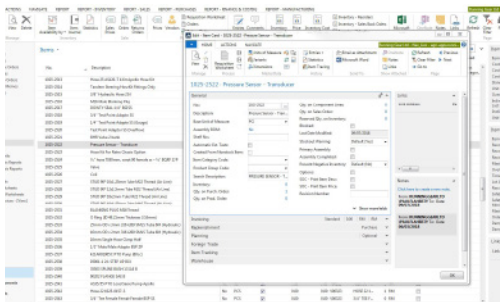
### Spare Parts Department

**Paul Flaherty**

Tel: +353 94 96 31808

Email: [paul@agrispread.com](mailto:paul@agrispread.com)





## Design

Agri-Spread use 3D software to generate full assembly models for testing of materials and configurations on every new product. Full spare parts manuals, instruction manuals and related information can be found on the dealer login for authorised Agri-Spread dealers.

## Production Management

The use of a state-of-the-art ERP system allows complete control and traceability from start to finish. From initial order to final delivery a system of checks and accountability are adhered to. With exports to all corners of the globe it is essential that Agri-Spread maintain realistic lead times for the demands of agriculture worldwide.

## Production

100% of production takes place at the manufacturing facility in Ballyhaunis, Co. Mayo, Ireland. The 11,000 m<sup>2</sup> (36,000 square ft) production area plus a further 1800m<sup>2</sup> R&D facility and a further 4,000 m<sup>2</sup> of office and storage facilities allow for high quality in-house production from start to finish.



## Painting Systems

All components are painted with a two-pack primer and oven baked in one of four booths installed in 2017. This state-of-the-art system provides the machines with the optimum protection for its lifetime. Temperature controlled rooms are used to maintain a constant temperate during the painting process before moving to the ovens for baking at 60 degrees. All machines are checked for blast thickness, primer thickness and topcoat thickness.



Spreader entering paint facility



chassis on overhead line



## Training

Agri-Spread host importers, dealers and end users for product training and product development annually. This relationship with importers and customers has been critical to the development of the product over the years.

## Years of Experience

Agri-Spread have been manufacturing farm machinery since the early seventies and exporting machinery all over the world. We pride our business on the quality of our product and the personal relationships we have developed with our customers and colleagues.



Customer and dealer training

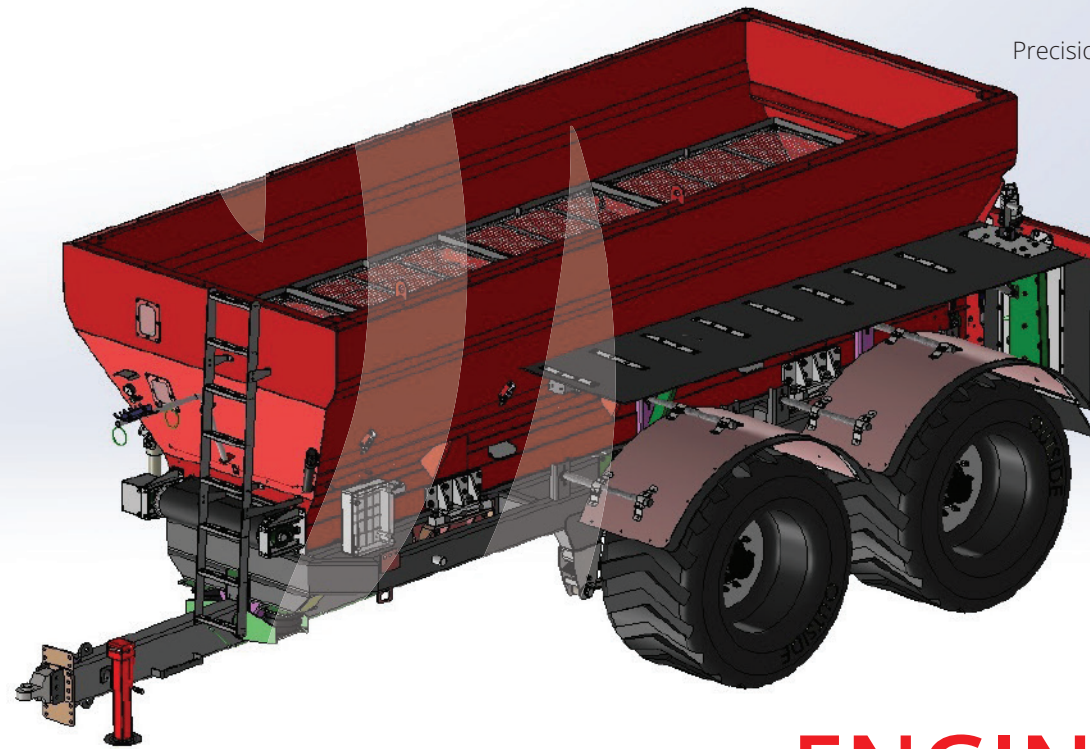


Spread test training underway



Factory tour 2017





# ENGINEERING

All machines are robustly manufactured to withstand the tough environments these machines face. From the broadacre farms in Australia to the hills of Scotland and Wales these machines face the toughest of landscapes throughout the world. The machines are designed in a modular process. The axles, drawbars, and conveyor system are all bolt on and off for ease of assembly and also for ease of maintenance.

## General Overview:

1. Engineered to last
2. Designed for speeds up to 50kph
3. Track width from 1.85m to 3.0m
4. Suspension drawbar standard throughout the range (excluding AS35)
5. Hopper capacities from 3 cubic meters to 16 cubic meters
6. Proven hydraulic spreader control system eliminating the use of PTO
7. Range of options to deal with all environments and range of products to be spread
8. Standard land-drive control systems to full GPS & ISOBUS ECU controllers available
9. High wearing areas manufactured in 304 stainless steel



## Modular Design



### Welding

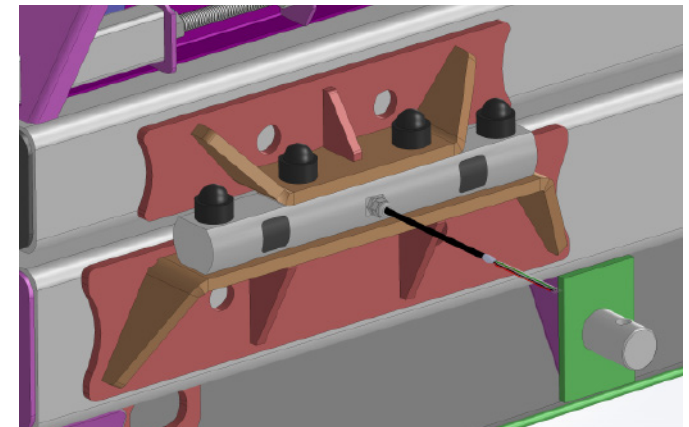
All welding is completed in-house by qualified, certified coded welders.



Chassis entering the assembly line on a mobile trolley



Suspension draw-bar



Double chassis arrangement for load cells



## Chassis Construction

Agri-Spread chassis are the strongest on the market. Heavy wall RHS used throughout the chassis design. Suspension drawbar as standard brings a smooth driving experience both on and off road.

All Agri-Spread chassis are shot blasted and primed with a 2 pack polyurethane paint to last the test of time in any environments around the world.



## Hopper Construction

As standard, the Agri-Spread spreader uses a combination of 304 stainless steel and mild steel throughout the construction. As standard all models from AS85 and up use 304 stainless steel in the lower conveyor deck area and on the rear panel.

On all models as standard, the main spreading deck is made from 304 stainless steel to give the owner the satisfaction that the most important area of the machine is kept in perfect condition.



## Investment in Quality

The Agri-Spread hopper is very durable with the bottom third and the entire rear end of the bin made from stainless steel.

Every component in mild steel is shot blasted using a steel shot and completed to a specific depth for optimum paint levels.



Over-head production line



Blast room



Parts hung for painting



Chassis being checked in quality control for paint thickness and hardness



Mild steel hopper in quality control



## Quality Control



All machines go through a vigorous pre-delivery inspection before shipping



Shipping from factory is either on open trailer or a sea container.





# SPREADING SYSTEMS

## Precision, Irrespective of Speed, Product or Rate

The Agri-Spread range of spreaders provides growers with an advanced and precise solution capable of spreading a wide variety of materials including fertiliser, lime, gypsum and manure.

A choice of models from 3 to 16 cubic meters means there is a spreader suitable for all enterprises and applications.

Agri-Spread products are over-engineered and packed with standard features for one very good reason....to outlast and outperform its competition.

Control of the spinner speed and drop point adjustment guarantees accurate spreading up to 36 meters depending on the type of material applied.

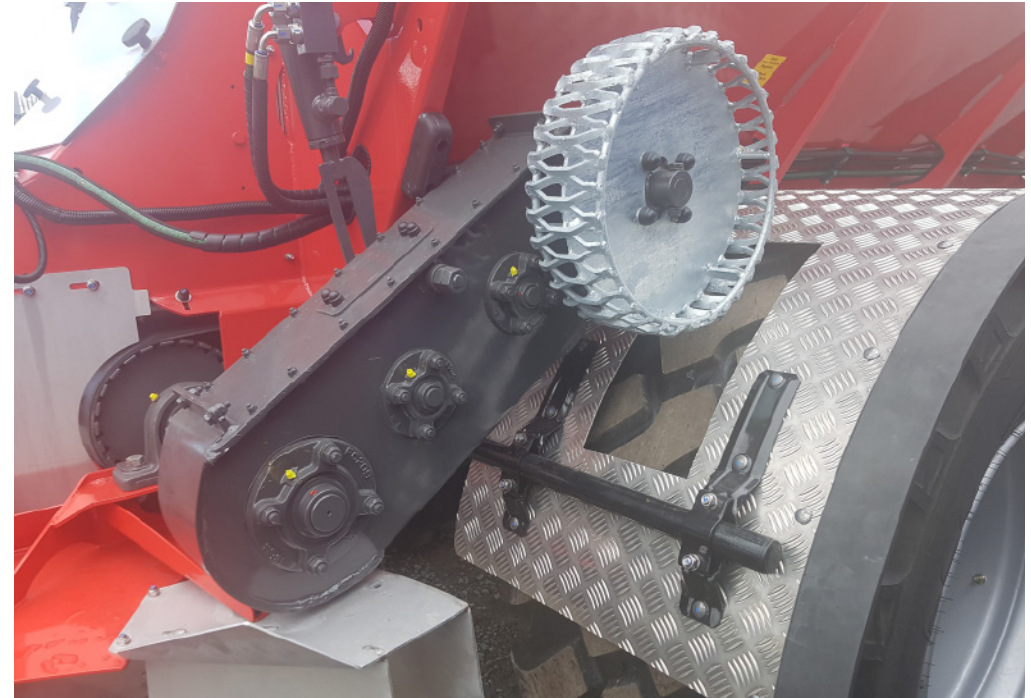


## Hydraulic System for Spinners



Agri-Spread use its expertise in hydraulic systems to control the spinners and on GPS models the floor is also fully hydraulic. There is no PTO requirement meaning a trouble-free, easy to maintain spreading system. High end, quality components are used for this system to ensure trouble free spreading season after season.

## Hydraulic Flow Requirements



For a standard land-drive machine the oil flow requirement is for the spinners only. Oil flow requirements range from 50 litres to 80 litres depending on spread width required. For a hydraulic drive GPS controlled spreader an oil flow requirement of 100 to 130 litres depending on application and driving speed required.

Agri-Spread have developed the latest in load sense (power beyond) valves to control the overall operation of the spreader reducing the workload on the tractor. Speak to your dealer for more information.



The spreaders' several unique features are designed to ensure that the accuracy of the Agri-Spread product will not be matched or beaten in the field.

Each machine comes with two sets of spinner disks, one set for free-flowing fertilisers and the other for products with a high variable bulk density.

Lime disk: Capable of spreading a range of materials from lime, gypsum, compost, slag, biosol which can have a range of densities and particle sizes.

Lime disks can also be used to spread fertiliser from 12 to 18 metres.

Fertiliser disks can spread material from 18 to 36m depending on the type and quality of fertiliser.

Hydraulic drive machines are ISOBUS compatible, VRT ready and will suit any controlled traffic or precision farming system.



AS100 hydraulic drive with wind booms fitted. The hydraulic drive floor is controlled via GPS and a Rate controller. Stand alone rate control monitor or ISOBUS systems available.



Hydraulic drive system



Lime spreading in Northumberland, UK



AS130-T with wind booms spreading lime sand in Western Australia



Spreading urea at 36m at 120kg/ha



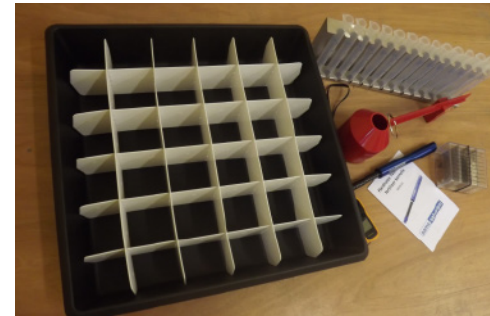
# Agri-Spread Spread Testing



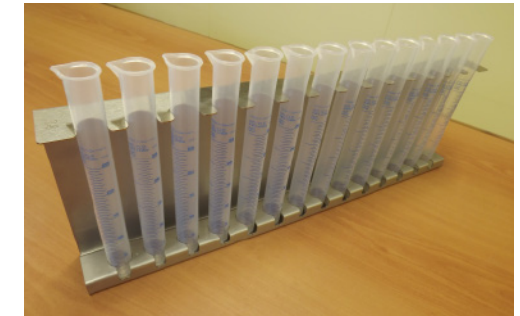
Whether your target rate is 1kg/Ha or 10,000kg/ha or anywhere between, Agri-Spread precision spreading equipment has you covered. Agri-Spread test hundreds of fertilisers every year. Although test hall tests give a good guideline for spreader settings we advise all fertilisers get field tested to meet desired results.

Environmental factors play a huge role in day to day spreading in the real world. To maintain the spreader spreading accurately Agri-Spread spreaders can be supplied with a high spec calibration kit which includes 13 test trays, test tubes, hardness tester, granular sieve and wind meter. The kit is designed to help set-up and test the distribution of the fertiliser.

The Agri-Spread mobile app gives you access to an application rate calculator which provides all the settings required to get started.



Certified test trays with dividing inserts



Test tubes. Important tool for visually checking the spread pattern



Wind meter



Hardness tester: Very important to check the fertiliser has the required strength to spread at wide widths



Sieve test: Breakdown of the size of the granules to check fertiliser quality



# Fertiliser, Lime, Gypsum and Manure



To accurately apply products with a high variable bulk density like lime, gypsum & manure you need the benefit of load cells and auto rate control.

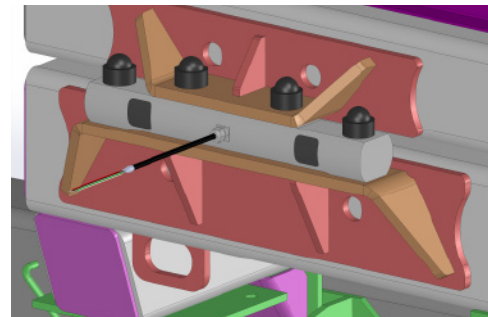
With ISOBUS compatible Agri-Spread machines the bin sits on load cells and the floor belt is driven hydraulically. They work together with an application called dynamic calibration to provide on the go auto calibration and rate control. A feature designed to ensure the accurate delivery of high rates of product with varying densities.

In dynamic calibration mode the Agri-Spread controller compares the actual rate to the target rate and varies the belt speed to compensate.

The Agri-Spread mechanically controlled land-drive rate controller or easily connected ISOBUS compatible tractors through the ISOBUS graphic user interface which is loaded into the tractor Virtual Terminal.

The ISOBUS set-up, calibration and rate control functionality are easily managed through the VT ensuring user-friendly and intuitive functionality. Stand-alone systems are available when the tractor has no ISOBUS connectivity.

## Dynamic Spreading



Agri-Spread are the leader when it comes to load cell calibration in static and on the move "Dynamic". With the double chassis design, the shock from travelling is reduced by having a second chassis and load cell combination. Using the dedicated lime, gypsum & manure spinner disks the Agri-Spread can accurately apply rates up to 10,000kg/ha.





# PRECISION FARMING

## Auto Rate Control, Auto Shut-off and Variable Rate Regulation

Agri-Spread ISOBUS spreaders provide application rate accuracy, irrespective of forward speed, product density or rate. The application rate is controlled proportionally to the forward speed through the variable speed hydraulic floor belt drive. In dynamic calibration mode, the load cells weights are used to apply the correct application rate by automatically recalculating the product density.

Using the Agri-Spread app, when the operator enters the set width, application rate, target forward speed and product density, the Apollo controller calculates the optimum gate height and belt speed.

Using the actual forward speed information the Apollo controller adjusts the proportional valve to achieve the belt speed required.

The Apollo controller automatically recalibrates its output while spreading, to ensure the target application rate is always achieved despite the variability in product characteristics and density.



# Precision Farming

## Agri-Spread Leading the Way in Precision Farming

1. Automatic rate control using GPS with either a stand alone terminal (options available) or
2. Isobus ECU with a proven spreader controller which works on all terminals world-wide

# Choose Your Level of Precision Farming Equipment

Agri-Spread proven ISOBUS ECU: Variable rate ready, Autos shut off and GPS to give the operator a stand-alone solution.



### Features:

#### Spreading Menu

Product selected on main screen

Rate proportional to forward speed displayed

Can be used with or without load cells

Working width and door height all displayed on main page

#### Available Information

Area worked in Hectares

Tonnage spread and live weight reading (when used with load cells)

Live spinner speed

#### Border Management

One touch operation to limit spread width

Choose between left or right border management system

On the move changeability to be environmentally compliant



# ISOBUS Rate Controller



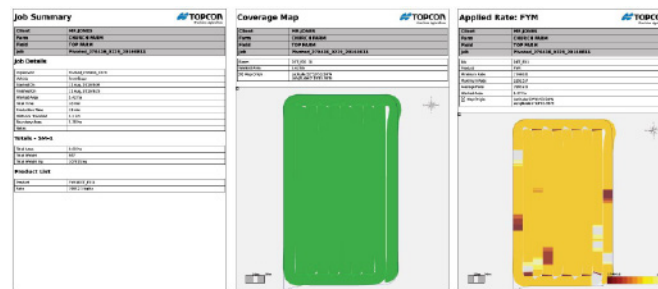
**Headland Management:**  
Automatically turns on/off at the headland or when driving over any area that has previously been spread



Variable rate map outlining the capability of the spreader to change rate on the move for variable rate application

**ISOBUS ECU:**

Works with Topcon, Trimble, Greenstar, Raven, Ag-Leader, Muller etc. Giving the operator the option to use their existing terminals.



**Variable rate application**  
Example of data logging and reporting









# SPREADER APP

The rate table feature allows the user to search application rate charts for the appropriate machine's settings based on: spread width, required rate and fertiliser type.

A second feature, the fertiliser application rate calculator is also included, enabling the farmer to carry out a physical testing procedure to check the actual fertiliser rate.


As well as this, the app gives the end user a range of useful manuals from spinner set up guidelines to spare parts manuals and software instruction manuals

**App available on** iOS and Android devices



## Rate Calculator Land-Drive

<
Rate Calculator
?



**Belt Land Drive**  
AS Range

**Material Type** Kg / m<sup>3</sup>

Urea
+

**Spread Width** Metres


36

**Target Rate** kg / hectare

200

Calculate Settings

<
Rate Calculator



**Belt Land Drive**

**Door Opening**


Low Gear	160 mm
Medium Gear	85 mm
High Gear	34 mm

---

**Target Rate**  
200 Kg / Hectare

## Rate Calculator Hydraulic Drive GPS Controlled

<
Rate Calculator



**Belt Hydraulic Drive**  
AS Range

**Density** Kg / m<sup>3</sup>

730

**Spread Width** Metres

24

**Target Rate** Kg / Hectare

200


**Spinner Speed** rpm

750

**Forward Driving Speed** kph

15

<
Rate Calculator



**Belt Hydraulic Drive**  
AS Range

**Door Opening**

Spinner oil usage	60 Lpm
Conveyor oil usage	30 Lpm
Total oil flow usage	90 Lpm
Door Height	26 mm

---

**Target Rate**  
200 Kg / Hectare



# Instructions

# Instruction Manual for Spread Settings

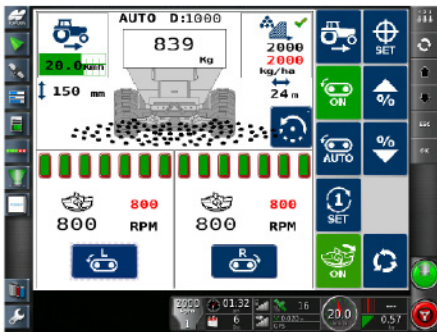
# List of Manuals Available

# Example of Page From Spare Parts Manual

**Rate Calculator**

**Belt Hydraulic Drive**  
AS Range

This page gives the actual oil flow requirements for all ranges of spinners speeds and rate applications. See image below:



To insure best performance from tractor hydraulics the following information is required to give desired gate height setting:

- Density of product: kg/m<sup>3</sup>
- Spread width: 6 metres to 36 metres
- Target Rate: kg/Hectare
- Spinner Speed: 450rpm to 1000 rpm

**3.4 Recommended Settings, (Lime, Gypsum, Manure & Compost).**

The summary table below defines the recommended settings that apply to the type of material being spread and the level of moisture present in the spread material.

**Note:** Always ensure that the line spreader CPA plates on the left and right hand side of the machine are aligned horizontally with their respective centre V CFB plate set positions, refer to Figure 7 and Figure 8 below. Suggested Centre V CFB plate settings where applicable are outlined in Table 2.

Material	Moisture Level (%)	Condition	Rate (kg/ha)	V (rpm)	V CFB Setting	Chain
Lime	Wet	Wet	200	500-600	10	10 or 15mm
	Dry	Dry	200	500-600	10	10 or 15mm
Gypsum	Wet	Wet	200	500-600	10	10
	Dry	Dry	200	500-600	10	10
Compost	Wet	Wet	400	None	N/A	10
	Dry	Dry	400	None	N/A	10
Manure	Wet	Wet	200	None	N/A	10
	Dry	Dry	200	500-600	10	10

**Table 2. Recommended settings, (Lime, Gypsum, Manure & Compost).**

- Lime V position:** Slides fully up or all D for wet product. Extend down for dryer product.
- Gypsum V position:** Gypsum starting point 1 and extending down for dryer product.
- Compost & Manure:** No V gate needed, unless product is dry!

**Note:** Always try test to verify correct width and rate, making one adjustment at a time when necessary. Refer to section 5.1 for more information.

ASD-0021 V1-C

**Agri-Spread**

**Manuals**

- Apollo 1 operators manual
- Apollo 2 operators manual
- X25 Manual
- Operators Manuals
- Spare Parts Manuals
- Spinner disk set-up manual
- General maintenance checklists

ASD-0021 V2.0

**Agri-Spread**

**3.1.2.3 Single Axle, 2m, 80mm Square, (AS35 & AS65, PN1022-2905).**

**Figure 6. Single Axle, 2m, 80mm Square, PN1022-2905.**

Item No.	Description	Part No.	Qty
1	Cap Screw Part No. Torpedona QD, QD Q17002, 04 10300, CAP	1022-2171	1
2	Score Part No. M2 Nut C7316BHN, 13 0741 81 Limes Washer	1022-2172	1
3	Score Part No. M6 Nut C7316BHN, 16 0741 81 Limes Washer	1022-2173	1
4	Crown Nut-Square Part No. Populwelle GC-QD-RC-BG-RVN, 2 C7348BQ Crown Nut N.2, 26200, Spring CV	1022-2174	1
5	Roller/Square Part No. KCF P10H And Roll N.1 S0132214 Bearing N.1 S0132214 Bearing	1022-2175	1
6	Roller Square Part No. K42 5441251 18 BUNA GRUBBER NUC 5011251 NING	1022-2176	1
7	M.6 M6x26 108 126 200 ZRS	1022-2177	1
8	Stud M1 80 1.50 L0731 KOLE, D2 1 M.6 And Drum Brake	1022-2178	0
9	Drum 3600000 K8L 20 215-200	1022-2179	1
10	Brake Assembly Square Part No. NF 3050N 1 731NF01 Brake Assembly N.1 071461 Part N.1 3050001 BUCKER N.1 10033 Saege N.1 771300011 Brake N.1 S0103001 or N.1 S0ACR CAP N.1	1022-2180	1
20	Score Part No. Compa 200-200N02 784102 CompaWelle 200-200N02 8470121 Spring Ring N01 0710301 NUT N01 3050001 Sauer Plate N01 100122 Saege N01 3001 13 Washer N01 771300011 Stud N01 S0103001 OR N	1022-2191	1
21	Score/Square Part No. KCF Brake Part No. N.1 3050001 73011-0 Spring	1022-2192	1
24	Cap Bolt D16 80000 Part No. N.1 3050001 73011-0 Spring	1022-2193	1

ASD-0021 V2.0

**Agri-Spread**

**3.1.2.3 Single Axle, 2m, 100mm Square, (AS65, PN1000-2891).**



# AS RANGE



AS35



AS100



AS120



AS130-T



AS150-T



AS55



AS65



AS85

Model	AS35	AS55	AS65	AS85	AS100	AS120	AS130-T	AS150-T
Capacity	3.2 m <sup>3</sup>	5.0 m <sup>3</sup>	6.0 m <sup>3</sup>	7.6 m <sup>3</sup>	9.0m <sup>3</sup>	10.6m <sup>3</sup>	11.6m <sup>3</sup>	14.6m <sup>3</sup>
Fertilizer capacity	3.2 Ton	5.0 Ton	6.0 Ton	7.6 Ton	9.0 Ton	10.6 Ton	11.6 Ton	14.6 Ton
Lime capacity (level)	4.5 Ton	7.0 Ton	8.4 Ton	10.6 Ton	12.6 Ton	14.8 Ton	16.2 Ton	20.4 Ton
Tyres	550/60-22.5	550/60-22.5	600/55 26.5	800/45-26.5	650/65-30.5	650/65-30.6	600/55-26.5	600/55-26.5
Axle	8 Stud	8 Stud	10 Stud	10 Stud	10 Stud	10 Stud	10 Stud	10 Stud
Bin length	3000 mm	3000 mm	3600 mm	3600 mm	3600 mm	4200 mm	4600 mm	4600 mm
Bin width	1800 mm	2000 mm	2000 mm	2250 mm	2250 mm	2250 mm	2250 mm	2250 mm
Loading height (no loads cells )	1700 mm	2000 mm	2000 mm	2450 mm	2750 mm	2750 mm	2725mm	2940mm
Loading height ( loads cells )	-----	2250 mm	2250 mm	2850 mm	2850 mm	2850 mm	2725mm	2940mm
Unladen weight	1600 kg	1800 kg	2500kg	3250 kg	3500 kg	3750 kg	4250 kg	4250 kg
Sprung drawbar	No	Optional	Yes	Yes	Yes	Yes	Yes	Yes
Manual headland control	Yes	Yes	Yes	Yes	Yes	Yes	Yes	Yes
In cab headland control	Optional	Optional	Optional	Optional	Optional	Optional	Optional	Optional
Grids / Mesh	Yes	Yes	Yes	Yes	Yes	Yes	Yes	Yes
3 Speed gearbox	Yes	Yes	Yes	Yes	Yes	Yes	No- Hydraulic	No- Hydraulic
Hydraulic brakes	Yes	Yes	Yes	Yes	Yes	Yes	Yes	Yes
Air brakes	No	No	Optional	Optional	Optional	Optional	Optional	Optional
Lights	Yes	Yes	Yes	Yes	Yes	Yes	Yes	Yes
Roll over cover	Yes	Yes	Yes	Yes	Yes	Yes	Yes	Yes
Tachometer	Yes	Yes	Yes	Yes	Yes	Yes	Yes	Yes

# STANDARD EQUIPMENT & OPTIONS

Standard Equipment	Spreader Types	
	AS: Land-drive	AS: Isobus
Model Numbers: AS35, AS55, AS65, AS85, AS100, AS120, AS130-T, AS150-T		
Rate proportional to forward speed	Standard	Standard
Display work data: Amount spread (kg/ha), Amount spread etc, hours worked etc	N/A	Standard
Variable rate capability	N/A	Standard
Headland auto-Shut off capability	N/A	Standard
Sprung Drawbar *	Standard	Standard
Lime, manure and Gypson spinner disks	Standard	Standard
Hopper screen Mesh (25mm) (Galvansied) **	Standard	Standard
Hydraulic brakes	Standard	Standard
LED lights	Standard	Standard
Paint quality (All machines shot blasted, 2 pack polyurthene primer, oven baked	Standard	Standard
Stainless steel: All hydraulic fittings, nuts and bolts	Standard	Standard
Stainless steel: Rear deck, rear panel and lower conveyor panels in stainless	Standard	Standard
Working width (Lime disks: Lime to 12m & Fertiliser to 21m)	9 - 21m	9 - 21m
Working width (Fertiliser disks: Options available: 2 vane)***	18 - 36m	18 - 36m
Rate chart calculaor mobile app	Standard	Standard
Calibration test Kit. 7 trays, test tubes, tube holder & density metre****	Standard	Standard
Floatation tyres	Standard	Standard
Hydraulic spinners	Standard	Standard
Hydraulic floor	N/A	Standard
Roll over cover	Standard	Standard
Document holder for operators manual	Standard	Standard
Inspection ladder	Standard	Standard

N/A: Not Applicable

\*Not standard on AS35 only

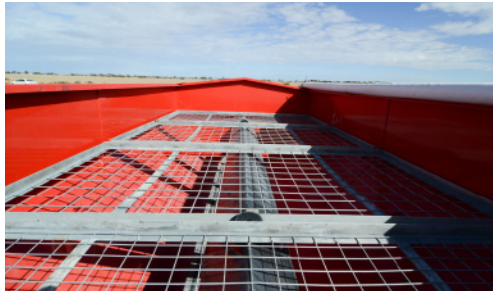
\*\*Other sizes available.  
Stainless steel option  
available in certain sizes

\*\*\*2 vane spreads: 18m  
to 36m. Fertiliser  
dependent. Not standard  
with machine

\*\*\*\*Market dependent



# Standard Equipment



Mesh Grids



LED Lights



High Spec Calibration Kit



Hydraulic Brakes



Lime, Manure and Gypsum



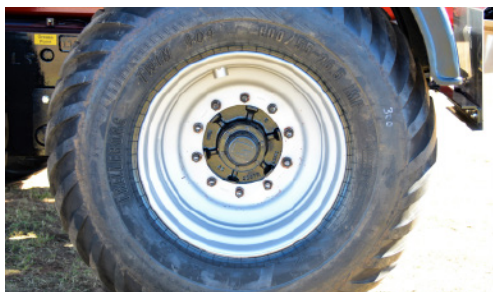
Shot-Blasted and Oven Baked  
Paint System



Sprung Drawbar



Stainless Steel Fittings



Floatation Tyres



Plastic Mudguards on Models  
AS85 and Up



Roll Tarp



Standard Land-Drive Option



# Optional Equipment



Stainless Steel Hopper



Fertiliser Disks from 18m to 36m



Steering Axle



ISOBUS Rate Controller



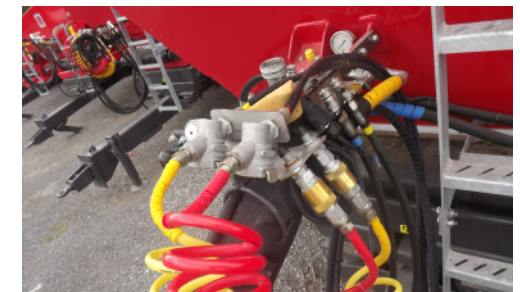
3.0m Wheel Center for Controlled Traffic Systems



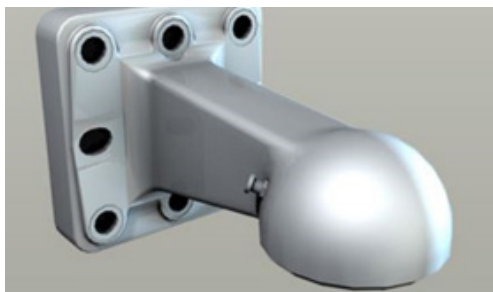
Load Cells



Wheel Options and Custom Mudguards



Air Brakes



Spoon Hitch



In Cab Border Control



Led Spot Lights



Extensions AS130-T Model



# AS35 & AS55 Trailed Fertiliser and Lime Spreader



1. Suspension drawbar options on this model
2. Swivel hitch as standard. Range of spoon hitched also available
3. Manual stand is standard. Manual or hydraulic jack options available
4. Standard wheels 550/60 22.5. Range of wheel options available on request
5. Manual rollover tarp



Model	AS35	AS55
Capacity	3.2 m <sup>3</sup>	5.0 m <sup>3</sup>
Fertilizer capacity	3.2 Ton	5.0 Ton
Lime capacity (level)	4.5 Ton	7.0 Ton
Tyres	550/60-22.5	550/60-22.5
Axle	8 Stud	8 Stud
Bin length	3000 mm	3000 mm
Bin width	1800 mm	2000 mm
Loading height (no loads cells )	1700 mm	2000 mm
Loading height ( loads cells )	-----	2250 mm
Unladen weight	1600 kg	1800 kg
Sprung drawbar	No	Optional
Manual headland control	Yes	Yes
In cab headland control	Optional	Optional
Grids / Mesh	Yes	Yes
3 Speed gearbox	Yes	Yes
Hydraulic brakes	Yes	Yes
Air brakes	No	No
Lights	Yes	Yes
Roll over cover	Yes	Yes
Tachometer	Yes	Yes

# AS65 Trailed Fertiliser and Lime Spreader



600/55-26.5 (BKT)

1. Mudguard fitted as optional extra
2. Stainless steel conveyor shafts with self-lubricating rollers
3. Shot-blasted with a steel shot, primed and oven-baked for a lifetime finish
4. Swivel hitch as standard. Range of hitch options available
5. Hydraulic drive spinners as standard. No PTO Requirement
6. Hydraulic drive floor controlled via a GPS rate controller. Can be used without load cells



Model	AS65
Capacity	6.0 m <sup>3</sup>
Fertilizer capacity	6.0 Ton
Lime capacity (level)	8.4 Ton
Tyres	600/55 26.5
Axle	10 Stud
Bin length	3600 mm
Bin width	2000 mm
Loading height (no loads cells )	2000 mm
Loading height ( loads cells )	2250 mm
Unladen weight	2500kg
Sprung drawbar	Yes
Manual headland control	Yes
In cab headland control	Optional
Grids / Mesh	Yes
3 Speed gearbox	Yes
Hydraulic brakes	Yes
Air brakes	Optional
Lights	Yes
Roll over cover	Yes
Tachometer	Yes



# AS85 & AS100 Trailed Fertiliser & Lime Spreader



AS100 Land-drive model with optional load cells

1. Land-drive gearbox has three speeds for all application
2. IP box for optional load cells.
3. Lower deck on the AS85 and up is stainless steel as standard
4. Range of hitch options available
5. Front ladder for easy access
6. Rear panel on AS85 and up is stainless as standard



Model	AS85	AS100
Capacity	7.6 m <sup>3</sup>	9.0m <sup>3</sup>
Fertilizer capacity	7.6 Ton	9.0 Ton
Lime capacity (level)	10.6 Ton	12.6 Ton
Tyres	800/45-26.5	650/65-30.5
Axle	10 Stud	10 Stud
Bin length	3600 mm	3600 mm
Bin width	2250 mm	2250 mm
Loading height (no loads cells )	2450 mm	2750 mm
Loading height ( loads cells )	2850 mm	2850 mm
Unladen weight	3250 kg	3500 kg
Sprung drawbar	Yes	Yes
Manual headland control	Yes	Yes
In cab headland control	Optional	Optional
Grids / Mesh	Yes	Yes
3 Speed gearbox	Yes	Yes
Hydraulic brakes	Yes	Yes
Air brakes	Optional	Optional
Lights	Yes	Yes
Roll over cover	Yes	Yes
Tachometer	Yes	Yes

# AS120 Trailed Fertiliser & Lime Spreader



AS120 Hydraulic drive model with optional load cells

1. Range of wheel options available from tractor grip, low ground pressure and row crop options available
2. Commercial axle with hydraulic brakes as standard. Air brakes available as an option
3. 2 vane fertiliser disks. Spread from 18m to 36m with minimum adjustment
4. Every part from the rear panel back is completely stainless steel. Stainless fittings & fixtures used where possible
5. Rear panel and complete spinner deck is stainless steel
6. Top main side is available in stainless steel or shot-blasted mild steel as standard



Model	AS120
Capacity	10.6m <sup>3</sup>
Fertilizer capacity	10.6 Ton
Lime capacity (level)	14.8 Ton
Tyres	650/65-30.6
Axle	10 Stud
Bin length	4200 mm
Bin width	2250 mm
Loading height (no loads cells )	2750 mm
Loading height ( loads cells )	2850 mm
Unladen weight	3750 kg
Sprung drawbar	Yes
Manual headland control	Yes
In cab headland control	Optional
Grids / Mesh	Yes
3 Speed gearbox	Yes
Hydraulic brakes	Yes
Air brakes	Optional
Lights	Yes
Roll over cover	Yes
Tachometer	Yes



# AS130/150-T Trailed Fertiliser & Lime Spreader



AS150-T Hydraulic drive, load cells, GPS controlled and Isobus ready

1. Proven conveyor system that will spread from 1kg per hectare to 10,000kg per hectare
2. Double chassis with load cells providing the most accurate weight system on the market
3. Commercial axles with spring type suspension and rear steering axle option available
4. Shot-blasted and oven-baked primer and topcoat system
5. Spring-loaded rollover cover system easily operated from the ground
6. Inspection window at front of the hopper



Model	AS130-T	AS150-T
Capacity	11.6m <sup>3</sup>	14.6m <sup>3</sup>
Fertilizer capacity	11.6 Ton	14.6 Ton
Lime capacity (level)	16.2 Ton	20.4 Ton
Tyres	600/55-26.5	600/55-26.5
Axle	10 Stud	10 Stud
Bin length	4600 mm	4600 mm
Bin width	2250 mm	2250 mm
Loading height (no loads cells )	2725mm	2940mm
Loading height ( loads cells )	2725mm	2940mm
Unladen weight	4250 kg	4250 kg
Sprung drawbar	Yes	Yes
Manual headland control	Yes	Yes
In cab headland control	Optional	Optional
Grids / Mesh	Yes	Yes
3 Speed gearbox	No- Hydraulic	No- Hydraulic
Hydraulic brakes	Yes	Yes
Air brakes	Optional	Optional
Lights	Yes	Yes
Roll over cover	Yes	Yes
Tachometer	Yes	Yes

# WIND BOOMS

**The wind booms have been developed for spreading low density material in strong winds.**

The booms create a tunnel of air for the product to travel so spread widths of lime at 12.0m can be achieved in strong winds. The booms are hydraulically folded from within the cab for quick transport.

All abrasive spreading areas of the booms are stainless or rubber lined.

Booms can be fitted to all models on load cells from AS85 and up.

## Features:

12.0m hydraulically folding booms

13.6m extension kit available

Sequence valve hydraulic operation for quick folding between fields

Shot-blasted frame and two pack oven-baked commercial paint









# SELF-PROPELLED SPREADERS

Self-Propelled units are manufactured for a range of vehicles for professional applicators around the world. Other options available on request

## **AGCO** Terragator

The Terragator TG8400 continues to build on its 50-year heritage of producing equipment for professionals who depend on their applicators for their livelihood.

Durable, dependable and professional are more than just words. With the Agri-Spread spreader and Terragator combination this is a spreader and tractor that performs to the highest of standards.

The TG8400 features AGCO's Variable Transmission (CVT), which is widely recognised as one of the most reliable in the industry. The CVT has been used in more than 150,000 off-road agricultural vehicles since its inception in 1963.



## RBR Self-Propelled Spreader



- American-made RBR is a 350hp tractor designed to meet the highest of spreading demands. Seen here fitted with an AS100 hopper, ISOBUS and load cells gives the operator the ability to spread accurately to 1 kg!

## Bergman Self-Propelled Spreader



- German-made Bergmann truck. Seen here with an AS100 hopper.

## MAN Truck Spreader



**Agri-Spread offer custom build units for a range of trucks and utility vehicles around the world**

### MAN Truck advantages:

- Cab and engine over the front axle enabling the perfect weight distribution (no overloading rear axle)
- Man truck can be shipped direct to factory for spreader fitting and calibration
- Permanent 4wd with transfer case lock with front and rear differential lock
- Tipmatic gearbox with 12 road gears and 12 off road gears (Close gear ratios)
- Off road mode to change gears quicker at higher engine revs
- 290hp engine
- 1150Nm torque
- Air suspension on rear with manual ride adjustment
- 3 years warranty
- 24-hour service and depots nationwide
- Tried and tested all over the world

### Spreader Advantages:

- Large capacity hoppers
- Hydraulic floor drive and spinners
- Load sense piston pump allows operation at low engine revs
- Stainless steel hopper option
- Stainless steel spreading deck with stainless hydraulic fittings
- Heavy duty 2k motors
- Multi-purpose spreader capable of spreading a wide range of materials
- In cab electronic border control
- Auto-Shut off option throughout out ISOBUS ECU
- Variable rate ready



# FEATURES AND BENEFITS

## Accuracy

- Accurate application rate using load cell readings to keep rates consistent.
- Spreads down to 1kg/ha (Mouse Bait)
- Spreads up to 10t/ha manures
- Spreads urea to 36m as certified by AFSA
- Fine-tuned to suit the product
- Auto rate control
- Two sets of discs (one for fertiliser & one for lime, gypsum and manure)
- Set up and adjustment training

## Calibration kit

- Calibration kit with 13 test trays, 13 test tubes, density scale, kernel hardness tester, grading box, anemometer and downloadable Agri-Spread app
- Calculates the bulk density
- Tests kernel hardness for quality and spread characteristics
- Tests kernel size to determine spread width characteristic
- Checks wind speed and consistency
- Measures the spread accuracy
- Fine-tunes the spreader





### **Dynamic Weighing Rate Control**

- Applies variable bulk density products with precision
- Compares actual vs target rate and varies the belt speed to compensate

### **Two Sets of Spinner Discs**

- Two sets of spinner discs, one for fertiliser and the other for lime, gypsum and manure
- Maximises accuracy for different products
- Spreads urea to 36m, independently certified
- Spreads lime and gypsum to 16m

### **ISOBUS Compatible**

- Connects to any ISOBUS compatible tractor
- Manage setup, calibration and rate control from the VT display
- Auto rate controller
- VRT ready

### **Load Cells**

- Ultimate accuracy
- Dynamic weighing
- Ease of calibration
- Enable fully-automatic, continuous calibration
- Rate controlled within a few kgs in the field

### **Heavy Duty Chassis and Bin**

- Strong and durable
- Built to last

### **Stainless Steel**

- Stainless steel to the bottom third of the bin, the entire back end as well as all nuts, bolts, belt rollers, rear discharge and hydraulic fittings
- High strength and durable
- Ultimate corrosion resistance
- Low maintenance

### **Shot Blast and Two-Pack Paint Treatment**

- UV resistant
- Provides a surface finish that lasts for years

### **Suspended Drawbar**

- Dampens shock energy transfer between tractor and Agri-Spread
- Extends the life of the spreader

### **Pinch Roller**

- Guarantees no belt slippage
- Consistent rate control





### **Nylon Belt Bearing**

- Long life
- Resists corrosion
- Service-friendly

### **Brakes and LED Tail Lights**

- Stopping power when you need it
- Stay in control of heavy loads
- Safety on roads

### **Floatation Tyres and Mudguards**

- Provides a better ride
- Reduces compaction
- Keeps the spreader clean

### **Border Control**

- Reduces coverage near sensitive areas

### **Hydraulic Folding Curtain**

- Hydraulic folds for transport
- Deflects the oncoming air over the curtain
- Low-density products can be applied in windy conditions
- Spreads when other applicators have stopped
- Increases productivity

### **Hopper Mesh**

- Keeps lumps too big to be discharged out of the hopper

### **Chains**

- Maintains a uniform flow of high bulk density products onto the spinners

### **Hydraulic Belt Drive**

- Provides for variable speed, dynamic rate control and VRT

### **False Door Attachment on Main Door**

- Provides for the application of very low rates of products like Mouse Off, Snail Baits and small seeds

### **Roll Tarp**

- Keeps the hopper clean during the off-season. Keeps the product dry if spreading in the wet. Roll tarp options available

**“The bottom third and rear of the bin is made from stainless steel.  
As well all of the fixtures, nuts, bolts and hydraulic fittings are made from stainless steel.”**



# TESTIMONIALS

## Lee Henzell Henzell Enterprises, Northumberland

Henzell Enterprises are a North Eastern UK Agricultural Contractor who spread lime, fertiliser and other cost-effective products. With offering so many different products they need a bespoke machine that can spread accurately and cope with these different products with a click of a few simple settings.

Henzell Enterprises have been using Agrisread machines from the past seven years. They started off with an AS85 single axle machine, moved on to the twin axle AS120 four years ago and have since progressed to the AS150-T.

**"Their backup is second to none, deliver on time and the price is right."**





## Jim Power

### Dealer: Cork & Waterford, Ireland

We have been dealing with Agri-Spread since 2009 and have seen the growth and investment in the products and the production facility. With dozens of happy customers in our area and new products being released we are dedicated to the product range and looking forward to working with Agri-Spread into the future.



## Branden Taschuk

### Agriterra Equipment, Alberta, Canada

Agriterra Equipment have been selling Agri-Spread products for four years. Branden advises that it's a very good product to sell and he is excited with what's happening in the future and where the product is going.

The huge advantage Agri-Spread have over anyone else in this area is the accuracy that the machines can spread this product. It constantly dynamically changes the load going out the back. The products that they are spreading change density quite often so with the load cells on the product it's constantly changing the belt scheme so they get the right amount out per acre that they need to be at. Agriterra's customers are mainly custom contractors of which are spreading a unique product called Biosul. These guys are running thousands of hours on Agri-Spread machines every year. There have been no issues with the product and the spreaders really perform for them.





Agri-Spread  
AUSTRALIA

www.agrispread.com.au

+ PRECISION SPREADING EQUIPMENT

www.agrispread.com.au

Agri-Spread





# OUR PARTNERS

## Agri-Spread Australia

### Company Details

Waringa Distribution

Tel: +61 (08) 9960 7164

Email: [info@waringa.com.au](mailto:info@waringa.com.au)

## Agri-Spread North America

### Company Details

Agri-Spread North America

Toll Free 1-855-910-1900

Email: [info@agrispread.ag](mailto:info@agrispread.ag)

Visit [www.agrispread.com](http://www.agrispread.com) for a full list of importers and dealers around the world







## CONTACT US

---

Agri-Spread International  
Coolnaha  
Ballyhaunis  
Co. Mayo  
Ireland  
F35 Y157

- +353 (0)9496 31808
- ✉ [info@agrispread.com](mailto:info@agrispread.com)
- 🌐 [www.agrispread.com](http://www.agrispread.com)

