



Forklift Range

Compact, powerful and versatile

AUSA EUROPEAN MANUFACTURER

Robustness, safety and versatility

AUSA all-terrain forklifts are technologically advanced, safe and easy to maintain. Thanks to their compact size and large capacity on any surface, they provide unbeatable manoeuvrability on the toughest and steepest terrains, providing outstanding performance when moving goods.

Equipped with state-of-the-art engines, they offer professionals a product that achieves an unequalled balance between engine power and load capacity, with low fuel consumption, making the product outstanding value for money.

In addition, the new range of forklifts has been completely redesigned to offer the user the best quality, safety and efficiency. Technologically advanced, they now set the standard for the all-terrain forklift market.



1. Headquarters 2. Assembly plant 3. Test, demonstration and training area 4. Warehouse for completed machines

FORKLIFT RANGE



C 150 H x2/x4
1500 kg



C 201 H x2/x4
2000 kg

Pages 04 - 05

AUSA SERVICES

Our priority is the customer, which is why we provide a full range of solutions and services that undoubtedly contribute to improving your collaboration with AUSA.



FINANCING



TECHNICAL SUPPORT



MAINTENANCE



SPARE PARTS



TRAINING



WEBSITE FOR CUSTOMERS

A DISTRIBUTION NETWORK AT YOUR SERVICE

AUSA has a wide range of official distributors all over the world. Go to our website to find the one closest to you.

<https://www.ausa.com/>



C 251 H x2/x4
2500 kg



C 351 H x4
3500 kg

Pages 06-07



C 501 H x4
5000 kg

Pages 08-09

C 150 H

All-terrain forklift 1.500 kg

Capable of lifting a maximum load of 1,500 kg, it is the all-terrain forklift with the most compact design and the lowest maintenance costs of its class. Especially suitable for handling loads in spaces with a limited height and an uneven terrain, it is available with two types of 2-speed hydrostatic transmission: 4x2 and the exclusive COMPEN® SYSTEM permanent 4x4 traction designed by AUSA. Its high-quality components provide the best return on investment.



C 150 H C 150 Hx4

Characteristics				
C 150 H	1500	18,5	1300	H-4x2
C 150 Hx4	1500	18,5	1300	H-4x4

Advantages

- Compact: 1,300 mm machine width.
- All-terrain: Front wheel with a large diameter and a chassis with high ground clearance (210 mm on the C 150 H and 240 mm on the C 150 Hx4), providing exceptional performance.
- Wide range of masts: maximum lifting height of up to 4,000 mm.

C 201 H

All-terrain forklift 2.000 kg

The C201H is a 2000 kg capacity all-terrain forklift with a totally urban approach. Thanks to its height of only 2.09m, it is ideal for entering and leaving parking lots and closed areas with low doors. In addition, it has great maneuverability that allows it to move agilely in any space. Furthermore, its innovative design allows full accessibility to all mechanical and maintenance components.



C 201 H C 201 Hx4

Characteristics				
C 201 H	2000	18,5	1520	H-4x2
C 201 Hx4	2000	18,5	1520	H-4x4

Advantages

- At just 2.09 meters high, it is capable of entering low-rise parking lots and closed areas.
- The optimization of the hydrostatic assembly allows you to climb slopes of up to 40% at full load.
- Wide range of masts: maximum lifting height of up to 5,400 mm.

C 251 - 351 H

All-terrain forklift 2.500 - 3.500 kg

The new concept of AUSA forklifts combines design and technology to offer the best features and service: such as a digital screen with self-diagnosis system and follow up of all the parameters from your smartphone, or a new fuel saving system and reduction of CO2 emissions, or even a redesigned cabin and its interior to offer a better comfort to the user.



C 251 H C 251 Hx4



Characteristics

C 251 H	2500	31,2	1520	H-4x2
C 251 Hx4	2500	31,2	1520	H-4x4

Advantages

- Technologically advanced, it includes self-diagnosis and the option of integrating fleet control systems.
- Its compact size and small turning radius allow it to be manoeuvred in narrower spaces.
- Various masts available: maximum lift of up to 5,400 mm.

C 351 H x4



Characteristics

C 351 Hx4	3500	31,2	1780	H-4x4

Advantages

- Payload of 3,500 kg and a maximum lift height of up to 5,400 mm.
- Technologically advanced, it includes self-diagnosis and the option of integrating fleet control systems.
- Large number of accessories, forks and masts available.

C 501 H

All-terrain forklift 5,000 kg

The new C501H forklift has a payload of 5,000 kg, making it ideal for handling large loads on uneven terrain. In line with the rest of the range, it has been redesigned combining design and technology to offer the best features and service: from a digital screen with a self-diagnostics system, being able to monitor all of the parameters on your phone and innovative fuel saving and CO2 emission reduction systems, to a redesign of the cab and its interior for greater comfort.



• **360° visibility** thanks to a redesigned cab that is more spacious, with greater comfort and a 30% increase in visibility.

• **Tilting cab** for easy access to components and to reduce downtime.

• **Full control joystick** with reverse drive, hydraulic functions and self-diagnostics.

• **Slow inching pedal** to ensure simple and safe driving, facilitating approach and load-handling operations.

• **Steering wheel** with adjustable height and reach, for greater comfort and safety in the cab.

• **Digital screen** with real-time information from all of the sensors and integrated self-diagnostics.

C 501 H x4



Characteristics

Characteristics				
C 500 Hx4	5000	55,4	2010	H-4x4

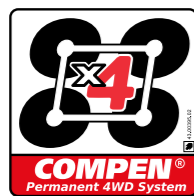
Advantages

- Excellent all-terrain capability thanks to the large diameter front wheel and the second generation FullGrip® system.
- Technologically advanced, it includes self-diagnosis and the option of integrating fleet control systems.
- Large number of accessories, forks and masts available.

TECHNICAL DATA

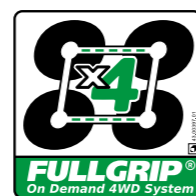
		C 150 H	C 150 Hx4	C 201 H	C 201 Hx4
GENERAL		UNIT			
Load capacity to 500 mm	kg	1500		2000	
Load capacity to 600 mm	kg	1350		1835	
Unladen weight	kg	2700		3706	3470
Transmission	-	Hydrostatic		Hydrostatic	
MAST					
Fork carriage	-	FEM 2		FEM 2	
Carriage width	mm	1260		1260	
ENGINE					
Make	-	KUBOTA		KUBOTA	
Model	-	V1505-E4B		V1505-E4B	
Power	kW	18,5		18,5	
Operating speed	rpm	2300		2300	
Torque	N·m@rpm	92,6@1700		92,6@1700	
No. cylinders	-	4		4	
Emissions	-	Stage V, EPA/CARB Tier 4		Stage V, EPA/CARB Tier 4	
Noise	dB(A)	101		103	
DRIVING					
Max. speed	km/h	20		17	
Gradability	%	25		25	40
Traction	-	4x2	4x4 Compen®	4x2	4x4 FullGrip®
Front tyres	-	10.0/75-15.3		10.0/75-15.3	
Rear tyres	-	6.00-9	23x8.5-12	6.00-9	23x8.5-12
HYDRAULIC SYSTEM					
Hydraulic circuit	-	Two gears pump		Two gears pump	
Flow rate	l/min	22		45	
Working pressure	bar	200		185	
TANK CAPACITY					
Fuel	l	45		62	
Hydraulic	l	40		51	
BRAKES					
Service	-	Hydraulic, multi-disc and sealed		Hydraulic, multi-disc and sealed	
Parking	-	Mechanical, multi-disc and sealed		Spring-loaded, multi-disc and sealed	

AUSA EXCLUSIVE ALL-WHEEL TRACTION SYSTEMS



AUSA Compen® System is a permanent all-wheel traction system which automatically balances the torque between the differential axles.

4X4 COMPEN®



AUSA FullGrip® System is a multi-disc all-wheel traction system, which can be connected electro-hydraulically using the joystick control on the driver's console.

4X4 FULL GRIP®

	C 251 H	C 251 Hx4	C 351 Hx4	C 501 Hx4
	2500		3500	-
	2295		3230	5000
	4150	4270	5416	7710
	Hydrostatic		Hydrostatic	Hydrostatic
	FEM 2		FEM 3	FEM 4
	1260/1660		1260/1660	1660
	KUBOTA		KUBOTA	DEUTZ
	V2403-CR E5B		V2403-CR E5B	TD3.6
	31,2		31,2	55,4
	2200		2200	2000
	159,8@1600		159,8@1600	330@1600
	4		4	4
	Stage V, EPA/CARB Tier 4f		Stage V, EPA/CARB Tier 4f	Stage V
	104		104	104
	20		20	20
	25	38	30	35
	4x2	4x4 FullGrip®	4x4 FullGrip®	4x4 FullGrip®
	12.5/80-18		16/70-20	18-19.5
	7.00-12	10.0/75-15.3	12-16.5	12-16.5
	Two gears pump		Two gears pump	Two gears pump
	50		50	59
	210		200	235
	62		80	117
	51		51	114
	Hydraulic, multi-disc and sealed			
	Spring-loaded, multi-disc and sealed			



TILTING CAB

The tilting cab installed on AUSA forklift models allows the user to easily access the vehicle's electrical, mechanical and hydraulic components to enable adequate maintenance. This speeds up the work and significantly reduces the machine's downtime.

DIMENSIONS

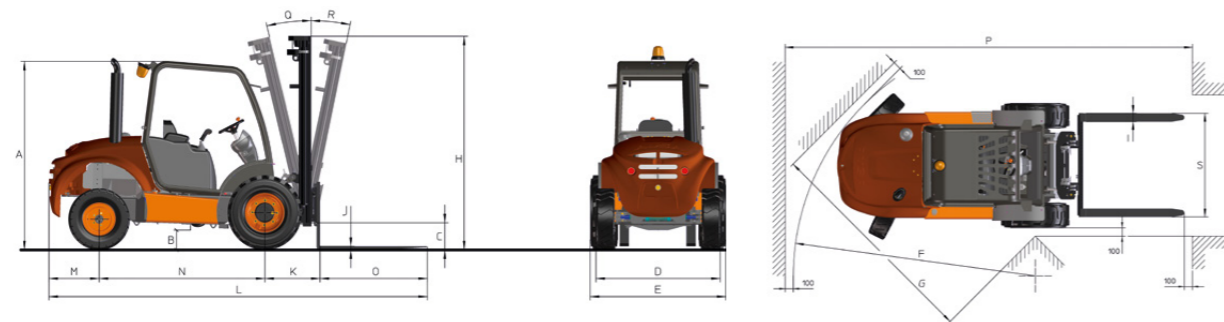
TYPE OF MAST	Maximum lift (mm)	H - RETRACTED MAST HEIGHT (mm)					EXTENDED MAST HEIGHT (mm)				
		C 150 H C 150 Hx4	C 201 H C 201 Hx4	C 251 H C 251 Hx4	C 351 Hx4	C 501 Hx4	C 150 H C 150 Hx4	C 201 H C 201 Hx4	C 251 H C 251 Hx4	C 351 Hx4	C 501 Hx4
Duplex mast	2660	2040	-	-	-	-	3290	-	-	-	-
Duplex mast	3300	-	2410	2460	2670	-	-	4170	4220	4570	-
Duplex mast	3700	-	-	-	-	2770	-	-	-	-	4600
Triplex mast	3700	-	2070	2120	2130	-	-	4620	4670	4970	-
Triplex mast	4000	1980	-	-	-	-	4670	-	-	-	-
Triplex mast	4250	-	-	-	-	2370	-	-	-	-	5280
Triplex mast	4300	-	2230	2300	-	-	-	5250	5300	-	-
Triplex mast	5400	-	2610	2690	2700	-	-	6620	6370	6670	-
Triplex mast	5450	-	-	-	-	2770	-	-	-	-	6480

Standard masts in bold

C 150 H C 150 Hx4	C 201 H C 201 Hx4	C 251 H C 251 Hx4	C 351 Hx4	C 501 Hx4	C 150 H C 150 Hx4	Narrow axle		Wide axle		C 501 Hx4								
						Narrow axle	Wide axle	Narrow axle	Wide axle									
						FREE LIFT (mm)				LOAD AT MAXIMUM HEIGHT (kg) ALL-TERRAIN USE								
0	-	-	-	-	1500	-	-	-	-	-	-	-	-	-	-	-	-	-
-	120	120	120	-	-	2000	-	2500	-	3500	-	-	-	-	-	-	-	-
-	-	-	-	100	-	-	-	-	-	-	-	-	-	-	-	-	-	-
-	1130	1130	1200	-	-	1800	-	1740	-	3500	-	-	-	-	-	-	-	-
1360	-	-	-	-	1200	-	-	-	-	-	-	-	-	-	-	-	-	-
-	-	-	-	1390	-	-	-	-	-	-	-	-	-	-	-	-	-	-
-	1330	1330	-	-	-	-	-	-	2155	-	-	-	-	-	-	-	-	-
-	1680	1680	1680	-	-	-	-	-	1500	-	1400	-	-	-	-	-	-	-
-	-	-	-	1790	-	-	-	-	-	-	-	-	-	-	-	-	-	-

Machines with wide axles for high-lift masts

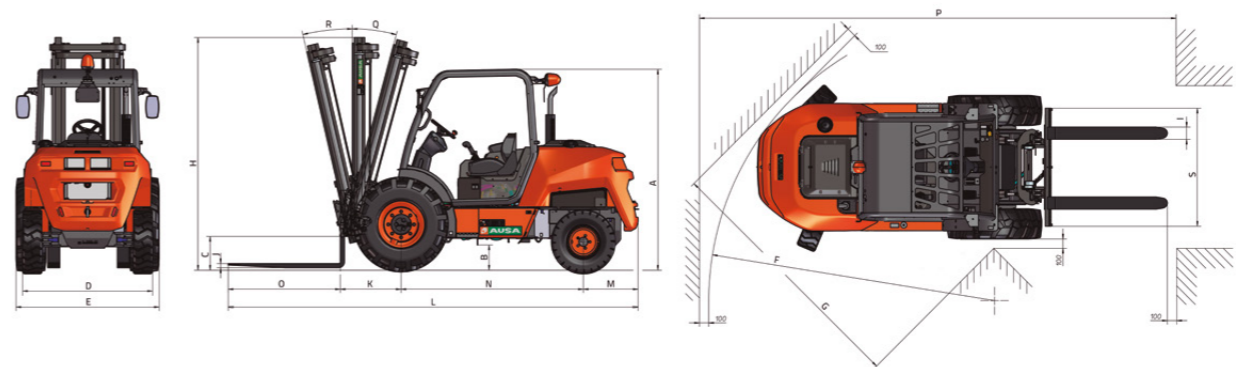
C 150 H



	C 150 H	C 150 H x4	C 201 H	C 201 H x4
DIMENSIONS (mm)				
A	2000	2040	2090	2090
B	210	240	210	210
C	215	205	310	310
D	1227	1247	1390	1490
E	1300	1300	1520	1520
E*	1300	1300	1780	1780
F	2570	4000	3020	4020
G	2420	2500	2780	2850
I	100	100	100	100
J	35	35	40	40
K	510	510	650	650
L	3630	3630	4380	4380
M	425	390	580	580
N	1710	1740	1950	1950
O	1000	1000	1200	1200
P	4280	5710	5060	6180
S	1260	1260	1260	1260
S**	1260	1260	1600	1600
DIMENSIONS (°)				
Q	11	11	14	14
R	12	12	11	11

*Measured with high-lift mast installed **Measured for wide axle carriage

C 201 - 251 - 351 - 501 H



	C 251 H	C 251 H x4	C 351 H x4	C 501 H x4
A	2140	2090	2190	2350
B	270	210	320	280
C	360	310	375	290
D	1390	1490	1645	1760
E	1520	1520	1780	2010
F	1780	1780	2050	2010
G	3020	4120	4350	4410
H	2760	2850	3090	3210
I	130	100	120	120
J	45	40	50	50
K	650	650	710	720
L	4385	4380	4540	4610
M	585	580	615	640
N	1950	1950	2020	2050
O	1200	1200	1200	1200
P	5100	6180	6645	6430
S	1260	1260	1310	1660
S**	1600	1600	1710	1660
Q	14	14	14	10
R	11	11	10	10

EQUIPMENT

	C 150 H C 150 H x4	C 201 H C 201 H x4	C 251 H C 251 H x4	C 351 H x4	C 501 H x4
FRAME OF THE DRIVER'S CAB					
Open FOPS cab with protective grille	●	●	●	●	●
Semi-enclosed FOPS cab with front and rear windscreens and top window	○	○	○	○	○
Enclosed FOPS cab with heating	○	○	○	○	○
Enclosed FOPS cab with air conditioning			○	○	○
FOPS tilting cab with assisted lift	●	●	●	●	●
SAFETY					
Seat belt with presence sensor	●	●	●	●	●
Rotating beacon	●	●	●	●	●
Acoustic warning for reverse gear	●	●	●	●	●
Emergency stop	○	●	●	●	●
Exhaust spark arrestor	○				
Hill Holder			●	●	●
Active safety equipment		●	●	●	●
LIGHTING AND DRIVING					
Certified light system	○				
Certified light System with LED daylight		○	○	○	○
Front and rear work lights	○				
Front and rear LED work lights		○	○	○	○
Rear-view mirror	●	●	●	●	●
COMFORT					
Adjustable ergonomic seat	●	●	●	●	●
Highly comfortable seat, fully adjustable	○	○	○	○	○
All-in-one-hand joystick with armrest	●	●	●	●	●
Adjustable steering wheel in inclination and depth		●	●	●	●
ADVANCED EQUIPMENT					
Hydrostatic transmission	●	●	●	●	●
Second generation FullGrip® System (4x4)			●	●	●
Limited-slip differential on the front axle		●	●	●	●
Slow approach pedall	●	●	●	●	●
Eco Mode system			●	●	●
Digital display		●	●	●	●
ACCESSORIES					
Disabling back-up beeper		○	○	○	○
Car radio		○	○	○	○
Sealed case for holding manuals	○				
Air filter with cyclone pre-filter	○	○	○	○	○
Water separator diesel filter	○		●	●	●
Auxiliary hydraulic inlet for dual control implement	○	○	○	○	○
Biodegradable hydraulic oil	○				
Folding mast for transport			○	○	○
Two-speed reverse	○				
IMPLEMENTS					
400-litre hydraulic shovel			○		
420-litre hydraulic shovel	○				
600-litre hydraulic shovel			○		
800-litre hydraulic shovel				○	
1000-litre hydraulic shovel				○	○
1500-litre hydraulic shovel					○

FORKS

	C 150 H C 150 H x4	C 201 H C 201 H x4	C 251 H C 251 H x4	C 351 H x4	C 501 H x4
1000 mm forks	●				
1200 mm forks	○	●	●	●	●
1260 mm fork carriage	●	●	●	●	
1660 mm fork carriage					●
Side shifter	●	●	●	●	●
1260 mm load guard	○	○	○	○	
1600 mm load guard		○	○	○	○
MASTS					
2660 mm duplex mast	●				
3300 mm duplex mast		●	●	●	
3700 mm duplex mast					●
3700 mm triplex mast		○	○	○	
4000 mm triplex mast	○				
4250 mm triplex mast					○
4300 mm triplex mast		○	○		
5400 mm triplex mast		○	○	○	
5450 mm triplex mast					○
SPARE PARTS					
Standard front and rear spare wheels	○	○	○	○	○
Maintenance kit	○	○	○	○	○

● Standard ○ Optional



LOAD GUARD



ADJUSTABLE STEERING WHEEL



AIR CONDITIONING



CERTIFIED LIGHT SYSTEM WITH LED DAYLIGHT



DIGITAL DISPLAY



COMFORTABLE SEAT



MKCAT.FK.EU.EN02

AUSA
C/ Castelladral 1
08243 Manresa - Barcelona
SPAIN
Tel. +34 93 874 7311
ausa@ausa.com
www.ausa.com

AUSA Spain: +34 91 669 00 06 ausa.madrid@ausa.com
 AUSA France: +33 (0) 4 68 54 38 97 - ausa.france@ausa.fr
 AUSA U.K.: +44 (0)7703 60 9009 - ausa.uk@ausa.com
 AUSA Central Europe: +49 2384 9415725 - kontakt@ausa.com
 AUSA U.S.: +1 (310) 426 2305 - ausa.us@ausa.com
 AUSA CHINA: +86 10 8598 7386 - ausa.china@ausa.com



Distributor's stamp



www.ausa.com