



Telehandler Range

Ultracompact, versatile and capable

AUSA EUROPEAN MANUFACTURER

Robustness, safety and versatility

The AUSA TAURULIFT® telescopic handlers are an ergonomic and safe solution for handling and transporting all types of material outdoors. **Ultracompact, versatile and capable**, they are designed to move large and heavy loads and they adapt easily to the most challenging and steep terrains.

The AUSA TAURULIFT® range provides professionals with a product that achieves an unparalleled balance of engine power and load capacity with low fuel consumption. The higher capacity models, T204H and T235H, are equipped with 36.5 kW KUBOTA V2403 engines, while the T144H features the 18.5 kW KUBOTA V1505 engine, which reduces its operating costs.

The telescopic side arm means that the machine has **smaller dimensions in terms of width** and provides better handling, whilst still allowing for a **spacious and comfortable cab**. Its position on the front axle also provides improved visibility for the driver and increased safety during loading and unloading operations.

The complete AUSA TAURULIFT® telescopic handler range features hydrostatic transmissions and a slow inching pedal and is designed to ensure **simple and safe driving**. It also facilitates approach and load-handling operations.



1. Headquarters 2. Assembly plant 3. Test, demonstration and training area 4. Warehouse for completed machines

TELEHANDLER RANGE



T 144 H
1350 Kg & 4 m

Page 04-05

AUSA SERVICES

Our priority is the customer, which is why we provide a full range of solutions and services that undoubtedly contribute to improving your collaboration with AUSA.



FINANCING



TECHNICAL SUPPORT



MAINTENANCE



SPARE PARTS



TRAINING



WEBSITE FOR CUSTOMERS

A DISTRIBUTION NETWORK AT YOUR SERVICE

AUSA has a wide range of official distributors all over the world. Go to our website to find the one closest to you.

<https://www.ausa.com/>



T 204 H
2000 Kg & 4,2 m

Page 06-07

T 235 H
2300 Kg & 5 m

T 144 H

1,350 Kg all-terrain telescopic handler

Capable of lifting a maximum load of 1,350 kg and with a total lifting height of 4 metres, the T144H is the ultracompact telescopic handler design (1.4 m wide) with the lowest maintenance costs of its class. Thanks to the permanent 4x4 HET (High Efficiency Transmission) traction, the reduced turning radius and the high clearance, it is especially suitable for handling loads in limited spaces and on uneven terrain. All while maintaining good 360° visibility with a very advanced position, spacious and comfortable cab thanks to the side position of the telescopic arm.



T 144 H



Characteristics				
T 144 H	1350	18,5	1405	H-4X4

Advantages

- With a width of just 1.4 metres and 2 metres high, it is the most compact telescopic handler on the market.
- Lightweight machine. With an unladen weight of 2,527 Kg, it can be transported on a conventional light trailer.
- Hydraulic function with quick connectors for accessories and implements, optionally with continuous and high flow.
- Excellent reach and load capacity ratio to the dimensions of the machine, thanks to its optimally counterweighted chassis.
- Thanks to its high manoeuvrability, the T144H obtains high productivity ratios in the handling, loading and unloading of materials.



Thanks to its reduced weight and compactness, the TAURULIFT T144H Plus can be transported on a conventional light trailer.

TRANSPORTABLE BY TRAILER



Safety system that indicates the load of the machine with an automatic limiter in case of overload.

LOAD INDICATOR

T 204 - 235 H

2,000 - 2,300 kg all-terrain telescopic handlers

The T204H and T235H models have been completely redesigned to offer the best user experience.

From the digital display of the driving position, the operator will be able to control any part of the machine and interact with and access the diagnostic menu and all maintenance parameters easily, quickly and efficiently.

Their compact size and their turning radii of just 2.9 metres give them excellent manoeuvrability and accessibility in tight locations, without sacrificing high payload and range capacities. They also have low transport costs. All with a very spacious and comfortable cab thanks to the side position of the telescopic arm.

AUSA's exclusive **4x4x4 permanent drive** and **front limited-slip differential**.

Tilting cab that facilitates maintenance operations with practical access to components.

Three optional carriages: AUSA manual, UNIVERSAL quick coupling and EURO8 quick coupling.

Three cab solutions: open, semi-closed and closed with heating.

Great 360° visibility thanks to the advanced position cab on the front axle.

Three steering modes: front, full and "crab mode".

Joystick with full control of functions.

Digital screen with real-time information from all of the sensors and integrated self-diagnostics.

T 204 H



Characteristics

T 204 H	2000	32,8	1590	H-4x4x4
---------	------	------	------	---------

Advantages

- 2,000 Kg of maximum capacity, 4.2 metres of maximum vertical reach and 2 metres of maximum horizontal reach.
- Hydraulic function with quick connectors for accessories and implements, optionally with continuous and high flow.
- Easy maintenance.
- Gradeability under full load of 42%.
- LED lighting system.
- Large number of accessories and implements available.

T 235 H



Characteristics

T 235 H	2300	32,8	1590	H-4x4x4
---------	------	------	------	---------

Advantages

- 2,300 Kg of maximum capacity, 5 metres of maximum vertical reach and 2.3 metres of maximum horizontal reach.
- Hydraulic function with quick connectors for accessories and implements, optionally with continuous and high flow.
- Easy maintenance.
- Gradeability under full load of 42%.
- LED lighting system.
- Large number of accessories and implements available.

TECHNICAL DATA

		T 144 H
GENERAL		
	UNIT	
Load capacity	Kg	1350
Load capacity at maximum height	Kg	770
Maximum lift	mm	4000
Maximum lift under maximum load	mm	3400
Maximum reach	mm	1682
Maximum load at maximum reach	Kg	580
Unladen weight *	Kg	2527
Transmission	-	Hydrostatic auto. control
ENGINE		
Make	-	KUBOTA
Model	-	V1505-E4B
Power	kW	18,5
Torque	N-m@rpm	92,6@1700
No. cylinders	-	4
Emissions	-	Stage V, EPA Tier4
Ambient noise	dB(A)	103
DRIVING		
Maximum speed	Km/h	18,3
Gradeability under full load	%	25
Traction	-	4x4
Front tyres	-	11.0/65x12
Rear tyres	-	11.0/65x12
HYDRAULIC SYSTEM		
Flow rate	l/min	20,8
Working pressure	bar	240
TANK CAPACITY		
Fuel	l	55
Hydraulic	l	32
BRAKES		
Service	-	Hydrostatic - retention
Parking	-	Mechanically applied hydraulically released inside the hydrostatic motor

*This may vary according to the optional equipment



FINANCE

Our aim is to provide high-quality finance services to help our customers to prosper. Therefore, in AUSA Finance we have the best finance solutions, tailored to you: personalised payment plans, leasing, renting, etc. In AUSA Finance we have a team of experts who will find the best finance solution to meet your business needs, making every step as simple as possible to ensure that you quickly have your new machine, ready for work.

		T 204 H	T 235 H
GENERAL			
		2000	2300
		1500	1800
		4200	5000
		3750	4300
		2072	2358
		1000	800
		4200	4700
		2-speed hydrostatic	2-speed hydrostatic
ENGINE			
		KUBOTA	KUBOTA
		D1803-CR-T-E5B	D1803-CR-T-E5B
		32,8	32,8
		150,5@1500	150,5@1500
		3	3
		Stage V, EPA Tier 4f	Stage V, EPA Tier 4f
		104	104
DRIVING			
		24	24
		42	42
		4x4x4	4x4x4
		10/75-15.3	10/75-15.3
		10/75-15.3	10/75-15.3
HYDRAULIC SYSTEM			
		51,8 / 17,28	51,8 / 17,28
		240	240
TANK CAPACITY			
		65	65
		70	70
BRAKES			
		Hydraulic - disc	Hydraulic - disc
		Mechanical	Mechanical



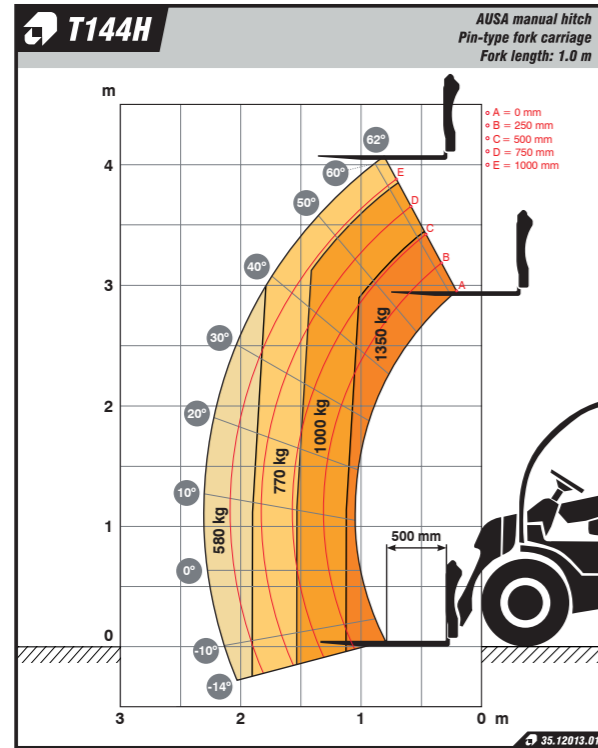
TECHNICAL SUPPORT

We know that your machine should be running when you need it and with minimal operating costs. With a network of over 500 AUSA dealers across the world, we make sure that, if you have any unexpected problems, you always have someone nearby, ready to help.

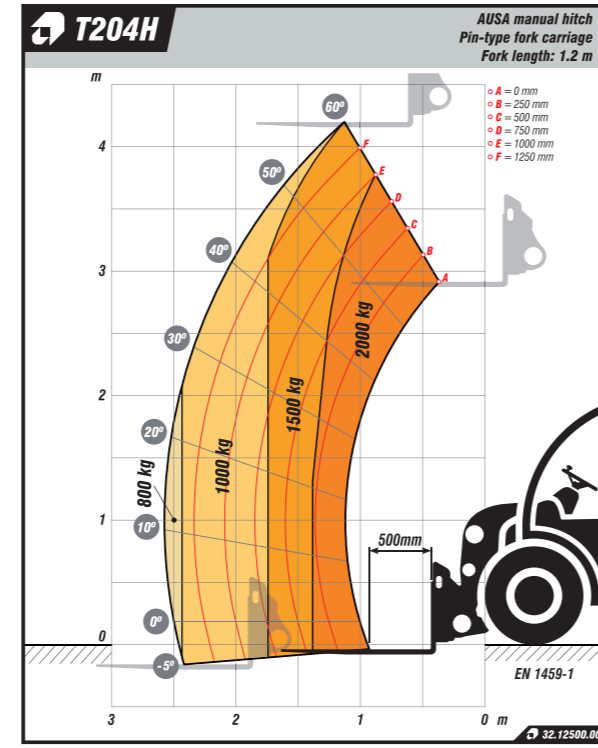
Also, if you want, you can request a maintenance contract that best suits your intended use of your new equipment.

TECHNICAL DATA

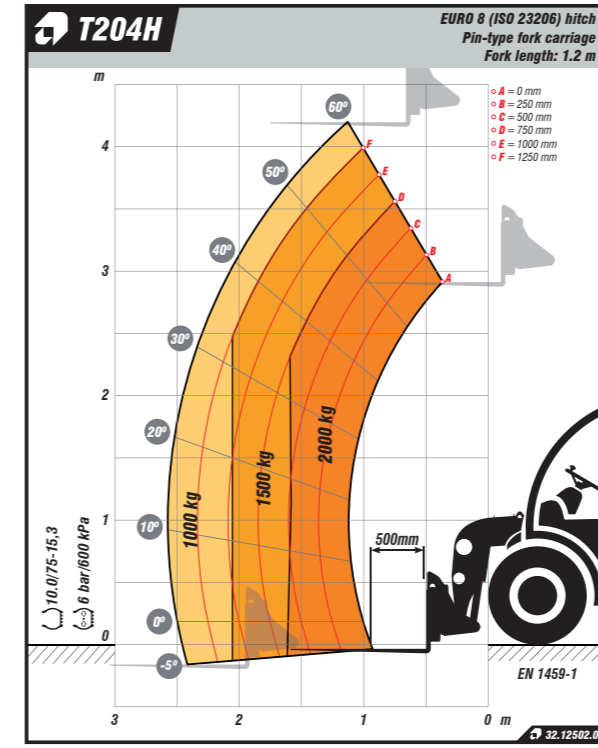
T 144 H AUSA carriage



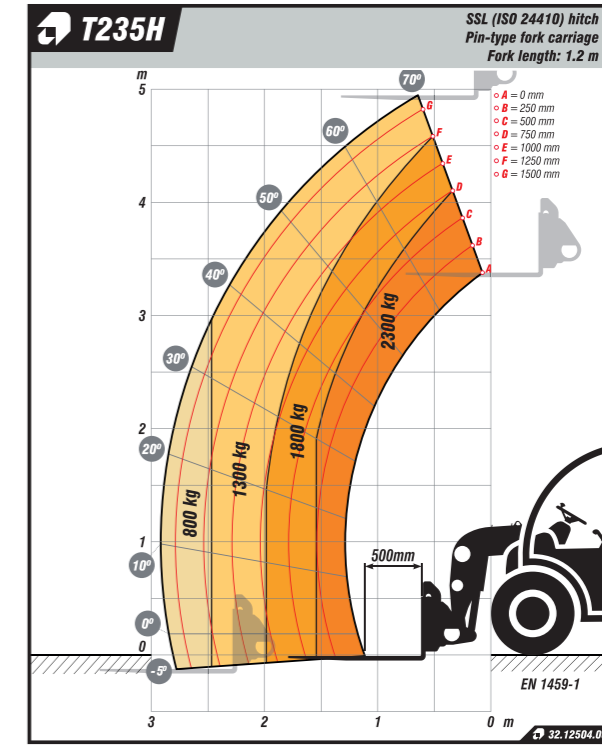
T 204 H AUSA carriage



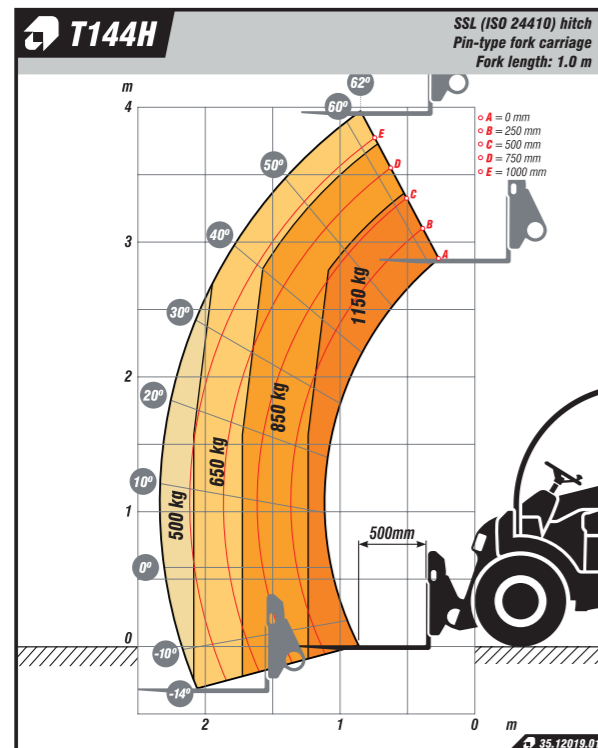
T 204 H EURO 8 carriage



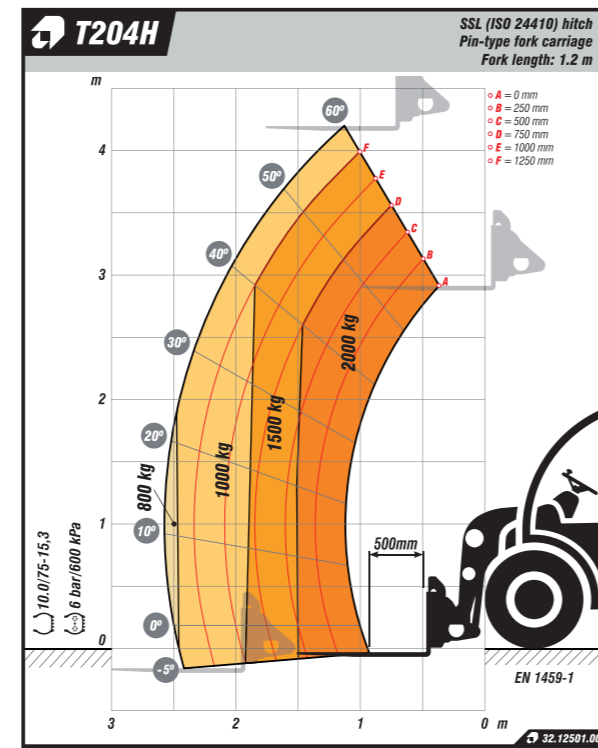
T 235 H Universal carriage



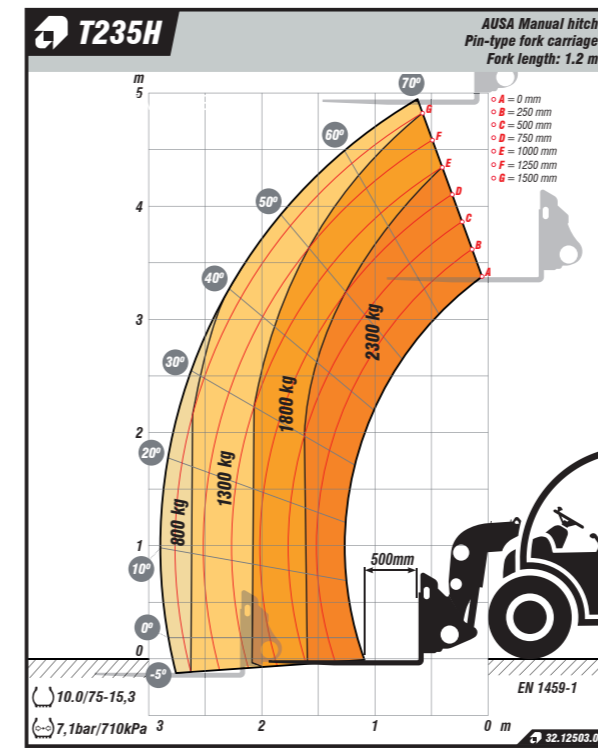
T 144 H Universal carriage



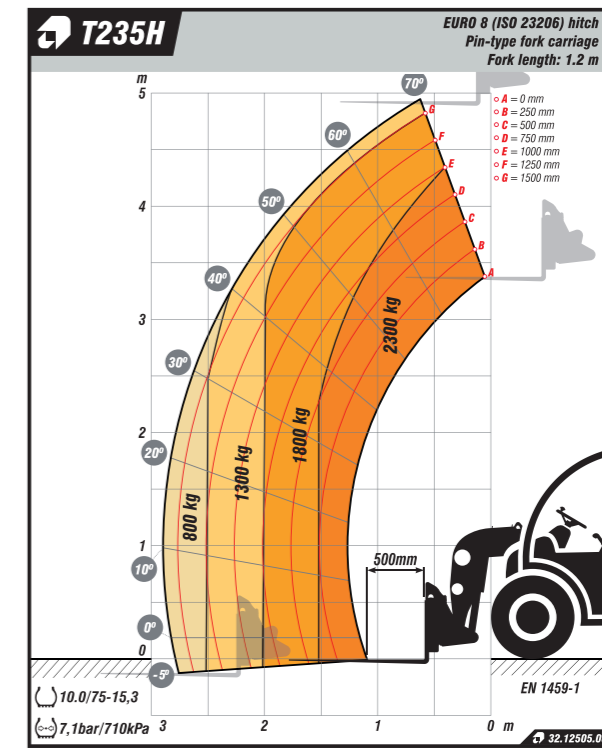
T 204 H Universal carriage



T 235 H AUSA carriage

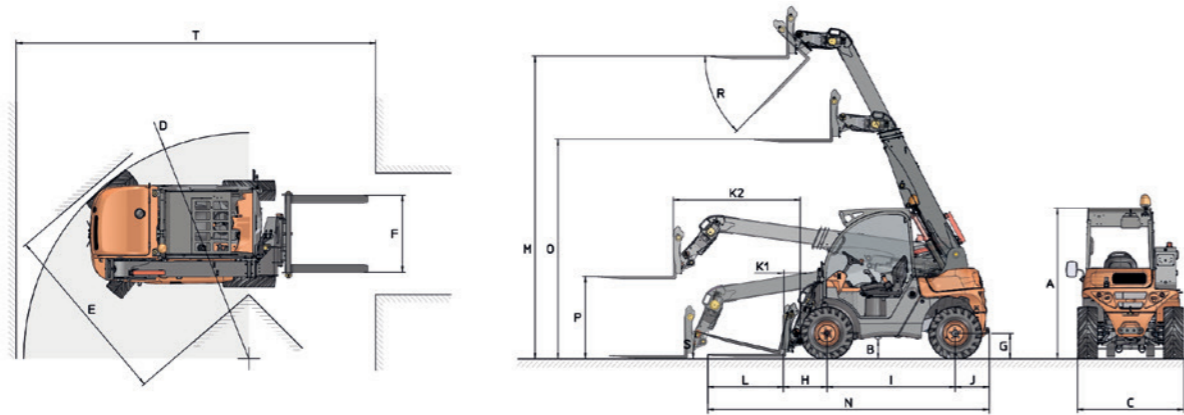


T 235 H EURO 8 carriage

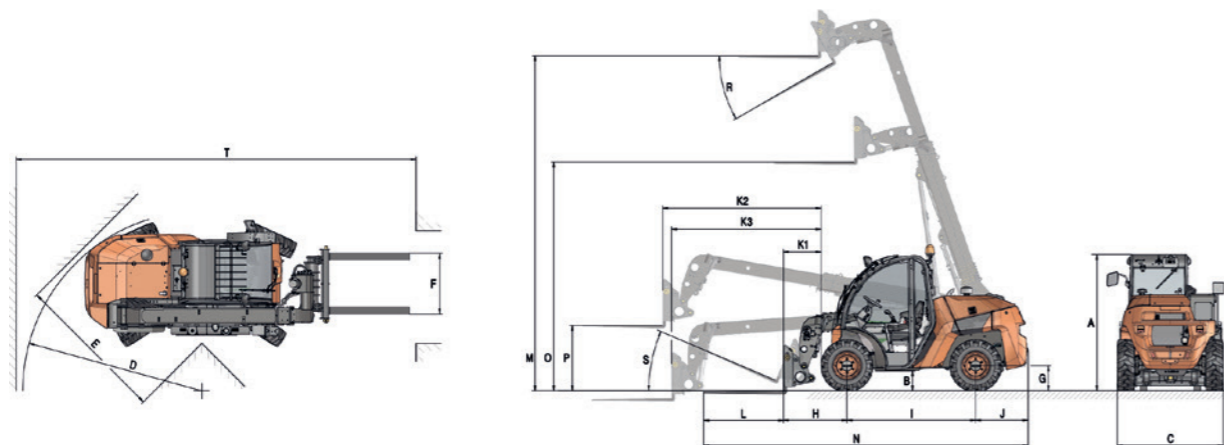


DIMENSIONS

T 144 H



T 204 - 235 H



	T 144 H	T 204 H	T 235 H
DIMENSIONS (mm)			
A	2000	2030	2030
B	252	300	300
C	1405	1590	1590
D	2982	3042	3042
E	2481	2468	2468
F	1015	905	905
G	335	375	375
H	580	820	960
I	1700	1925	1925
J	405	790	790
K ₁	228	430	570
K ₂	1682	2262	2350
K ₃	-	2105	2236
L	1000	1200	1200
M	4000	4300	4300
N	3685	4730	4880
O	2928	3000	3409
P	1094	1068	932
T	4730	5880	5880
DIMENSIONS (°)			
R	38	113	113
S	20	41	41



WARRANTY

From the minute you purchase your AUSA machine, it is covered by a warranty for 12 months or 1,000 service hours, which we can offer thanks to our experience and industrial know-how spanning over 60 years.

And if you want, you can increase your peace of mind by extending the warranty to up to 3 years, so that the only thing that you have to worry about is the next job you are going to do with your AUSA machine.



SPARE PARTS

Keep your AUSA equipment in perfect working order by only using original spare parts, as only they are the same as the top-quality components used to manufacture it. Installing other spare parts may prevent it from working properly and reduce its service life.

Always demand the installation of original spare parts to ensure the complete reliability and durability of your machine.

AUSA's official dealers make sure that original spare parts are available everywhere in the world.

EQUIPMENT

	T 144 H	T 204 H	T 235 H
FRAME OF THE DRIVER'S CAB			
FOPS/ROPS semi-enclosed cab	○	●	●
FOPS/ROPS enclosed cab with heating	○	○	○
FOPS/ROPS enclosed cab with air conditioning		○	○
FOPS/ROPS open cab	●		
SAFETY			
Seat belt with presence sensor	●	●	●
Rotating beacon	●	●	●
Acoustic warning for reverse gear	●	●	●
Emergency stop		●	●
Load level indicator	●		
Arm lock system for instability and turning over with a deactivation button 60"	●	●	●
Windscreen protective grille	○	○	○
LIGHTING AND DRIVING			
Front and rear work lights	○		
Front work lights		●	●
Certified light system with second panoramic rear-view mirror	○		
Certified light system		○	○
Third rear work light		○	○
Rear-view mirrors	●	●	●
Second panoramic right rear-view mirror	○	●	●
COMFORT			
Joystick all in one	●	●	●
ADVANCED EQUIPMENT			
Hydrostatic transmission	●	●	●
Limited-slip differential on front axle		●	●
Slow approach pedal	●	●	●
Joystick inverted functions	○	○	○
Two hand button to lock / unlock accessories	●	●	●
Three steering modes		●	●
Digital display		●	●
ACCESSORIES			
Fourth auxiliary hydraulic inlet valve	●	●	●
Fifth auxiliary hydraulic inlet valve	○	○	○
Fourth auxiliary continuous-flow hydraulic inlet	○	○	○
Fifth auxiliary continuous-flow hydraulic inlet	○	○	○
Sealed case for holding manuals	●	○	○
Car radio	○	○	○
Ball hitch for trailer with power socket		○	○
Ball hitch for trailer	○		
Power socket for the trailer	○		
Air filter with cyclone pre-filter	○	○	○
Water separator diesel filter		●	●
Biodegradable hydraulic oil	○	○	○
PANELS			
AUSA manual hitch panel	●	●	●
Universal quick hitch panel	○	○	○
EURO8 quick hitch panel	○	○	○

FORKS

	T 144 H	T 204 H	T 235 H
1050 mm fork carriage	●	●	●
1000 mm forks	●		
1200 mm forks	○	●	●
1200 mm forks, foldable for transport		○	○
FEM II side shifter with 1200 mm load guard	○	○	○
1200 mm load guard	○	○	○

IMPLEMENTS

	T 144 H	T 204 H	T 235 H
Hydraulic shovel with 350-litre payload	○		
Hydraulic shovel with 600-litre payload		○	○
Hydraulic shovel with 700-litre payload		○	○
Hydraulic shovel with 1000-litre payload			
4x1 multi-function hydraulic shovel with 248-litre payload	○		
4x1 multi-function hydraulic shovel with 400-litre payload		○	○

SPARE PARTS

	T 144 H	T 204 H	T 235 H
Maintenance kit	○	○	○
Standard spare wheel	○	○	○

TYRES

	T 144 H	T 204 H	T 235 H
All-terrain tyres 27x10-12" - 8PR	○		
Turf tyres 26x12.00-12" - 14PR	○		
Low-profile tyres 27x10-12"TT 14PR		○	○

● Standard ○ Optional



CERTIFIED LIGHT SYSTEM



WINDSCREEN PROTECTIVE GRILLE



DIGITAL DISPLAY



BALL HITCH FOR TRAILER



MKCAT.TH.EU.EN02

AUSA
C/ Castelladral 1
08243 Manresa - Barcelona
SPAIN
Tel. +34 93 874 7311
ausa@ausa.com
www.ausa.com

AUSA Spain: +34 91 669 00 06 ausa.madrid@ausa.com
AUSA France: +33 (0) 4 68 54 38 97 - ausa.france@ausa.fr
AUSA U.K.: +44 (0)7703 60 9009 - ausa.uk@ausa.com
AUSA Central Europe: +49 2384 9415725 - kontakt@ausa.com
AUSA U.S.: +1 (310) 426 2305 - ausa.us@ausa.com
AUSA CHINA: +86 10 8598 7386 - ausa.china@ausa.com



Distributor's stamp



www.ausa.com