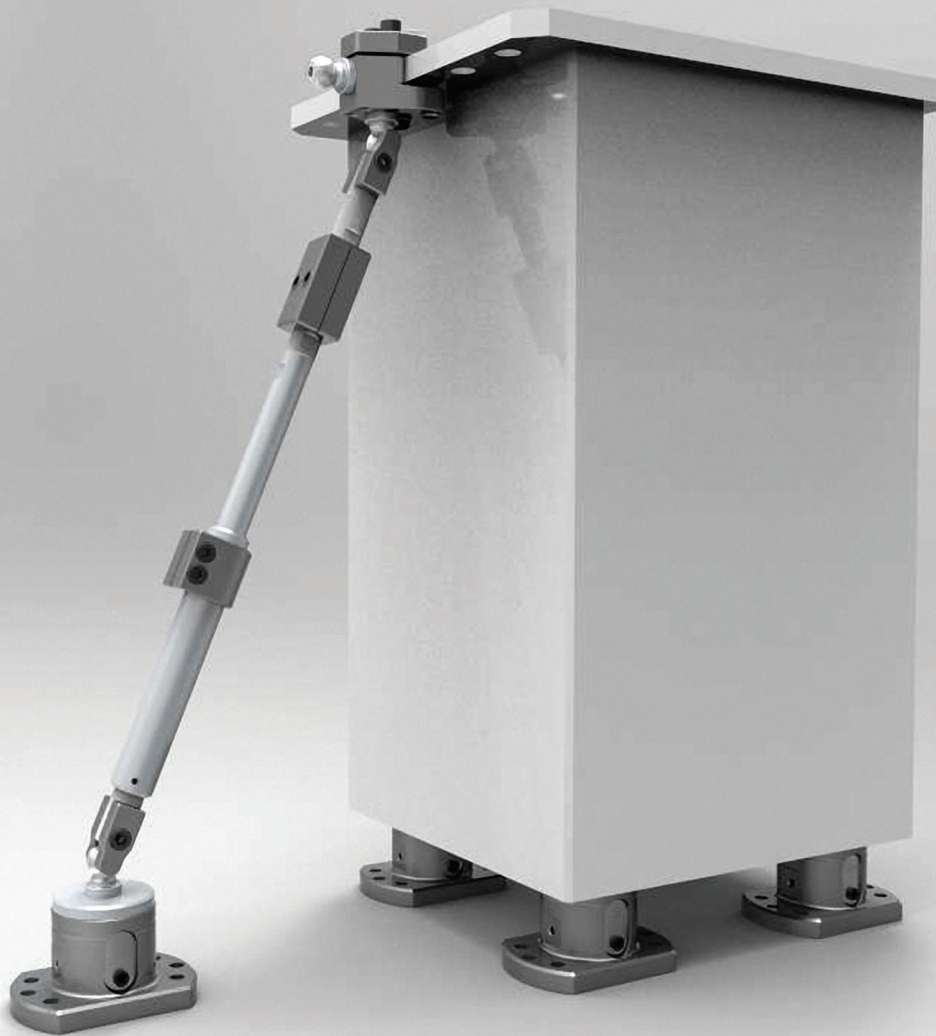


BIG KAISER

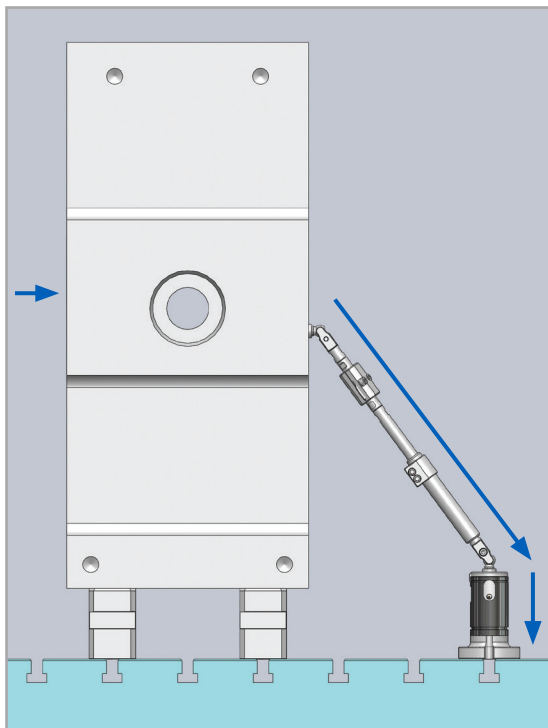


UNILOCK MODULAR WORKHOLDING SYSTEM
Stabilizer System — 2018

STABILIZER SYSTEM FOR UNIFLEX BALL SYSTEM (Ø25.4)

Provides lateral support for tall parts during machining, welding or assembly processes. Allowing the transfer of loads down to the table or base.

- Compatible with standard UNILOCK SYSTEM 40 chucks, Manual 5-Axis clamping units & UNIFLEX clamping system
- Fine adjustment unit allows for adjusting the position of parts as needed.
- Magnetic base option
- Tab/Flange gripper option
- Options for direct ball attachment with no location requirement
- 5 fixed length extensions
- 2 adjustable length bases



PART ATTACHMENT OPTIONS

These items allow you attach or grab the workpiece(s) via a variety of different methods.

- 1) Mounting Ball (M10 only)
- 2) Mounting Screw (M12-M24)
- 3) Tab/Flange Gripper
- 4) Magnetic Base

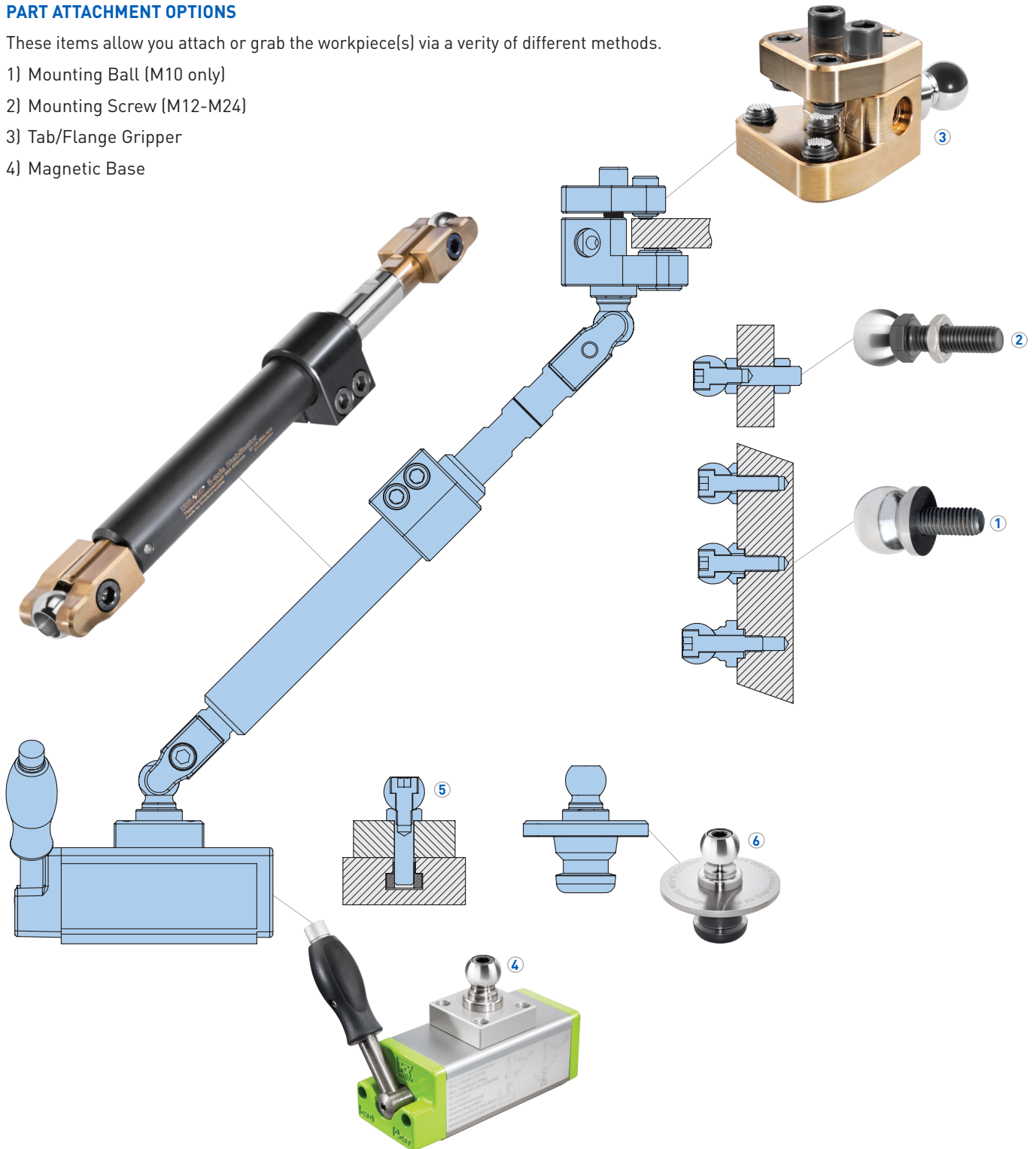
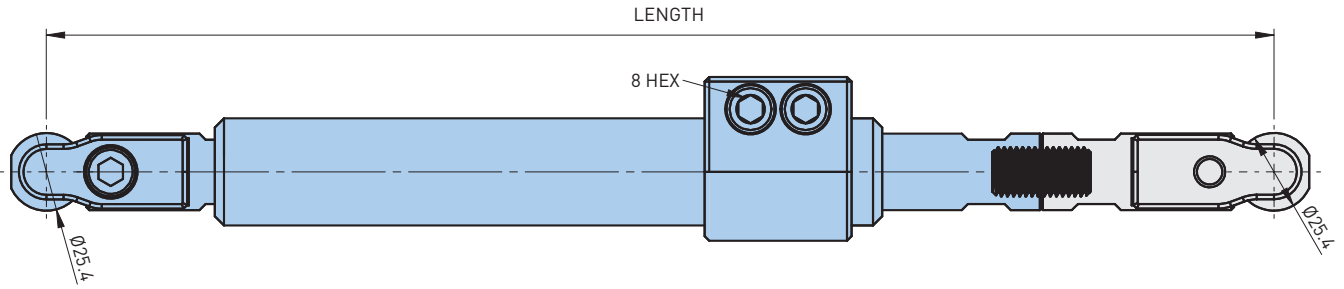


TABLE ATTACHMENT OPTIONS

These items are used at the bottom of the Stabilizer system and allow it to be rigidly fixed in place.

- 4) Magnetic Base
- 5) Mounting Screw via T-Slot Nut
- 6) UNILOCK SYSTEM 40 Knob Adapter

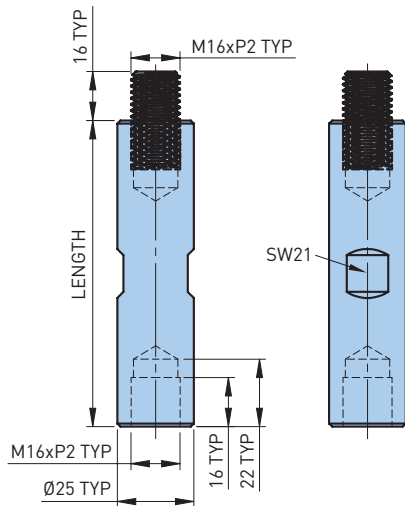
5-AXIS ADJUSTABLE STABILIZER BASE



Catalog Number	Description	Length (mm)
15.252.009	5-Axis Adjustable Stabilizer Base 255-305mm (Ø25.4)	255-350
15.252.010	5-Axis Adjustable Stabilizer Base 400-550mm (Ø25.4)	400-550

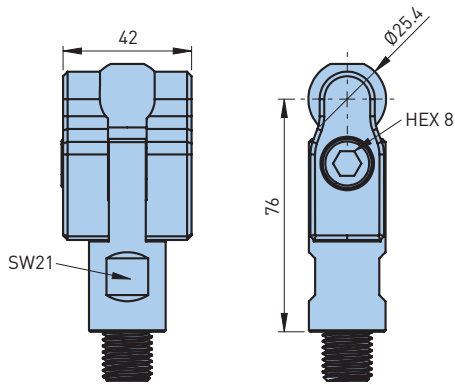
• One clamp set included, additional clamps can be ordered separately

5-AXIS FIXED STABILIZER EXTENSION



Catalog Number	Description	Length (mm)
15.252.030	5-Axis Fixed Stabilizer Extension (Ø25xL75mm)	75
15.252.031	5-Axis Fixed Stabilizer Extension (Ø25xL100mm)	100
15.252.032	5-Axis Fixed Stabilizer Extension (Ø25xL150mm)	150
15.252.033	5-Axis Fixed Stabilizer Extension (Ø25xL500mm)	500

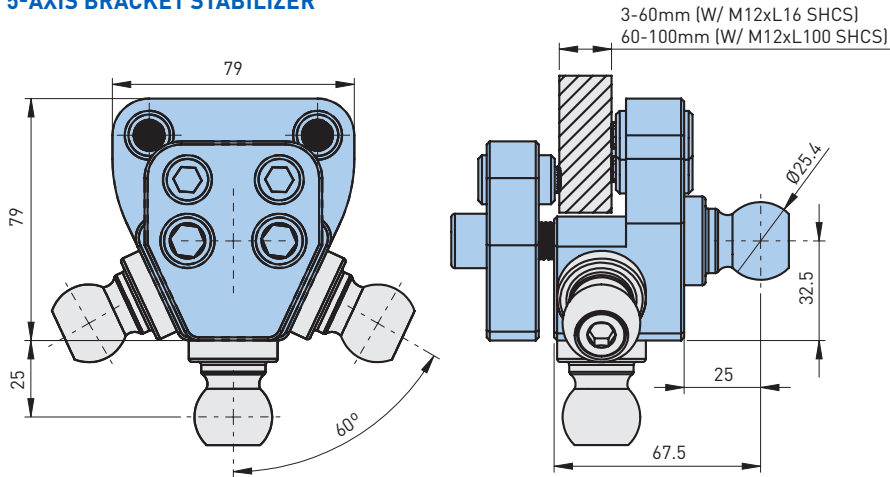
5-AXIS STABILIZER END CLAMP



Catalog Number	Description	Length (mm)
15.252.001	5-Axis Stabilizer End Clamp (Ø25.4)	76

- Ball included

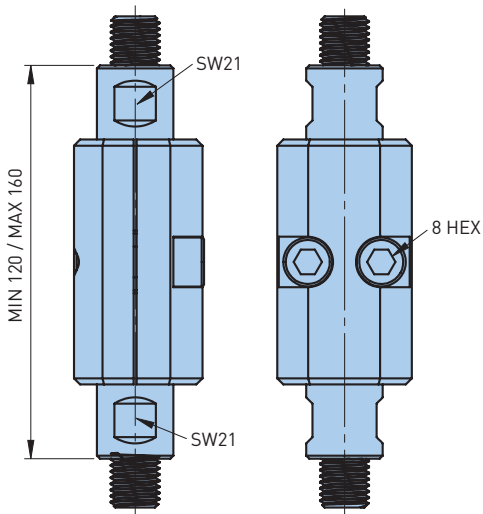
5-AXIS BRACKET STABILIZER



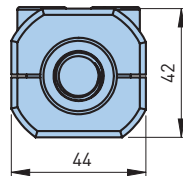
Catalog Number	Description
15.252.070	5-Axis Bracket Stabilizer (Ø25.4x4)

- One ball included, additional balls can be ordered separately

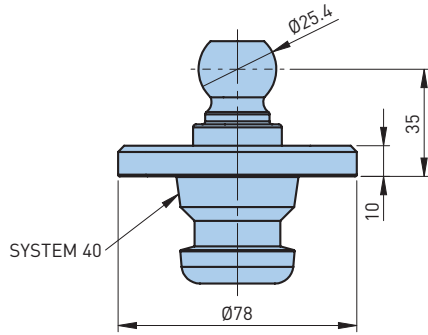
5-AXIS FINE ADJUSTABLE STABILIZER EXTENSION



Catalog Number	Description	Length (mm)
15.252.020	5-Axis Fine Adjustable Stabilizer Extension (Ø25)	120-160

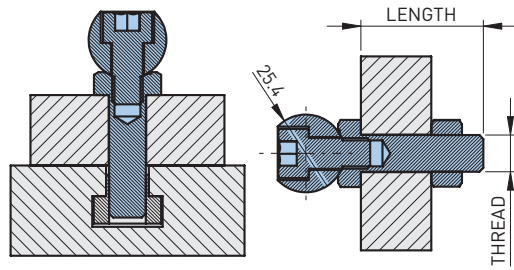


5-AXIS STABILIZER BALL TO KNOB ADAPTOR



Catalog Number	Description	Length (mm)
15.252.060	5-Axis Stabilizer Ball to Knob Adaptor (Ø25.4 x SBA40)	35

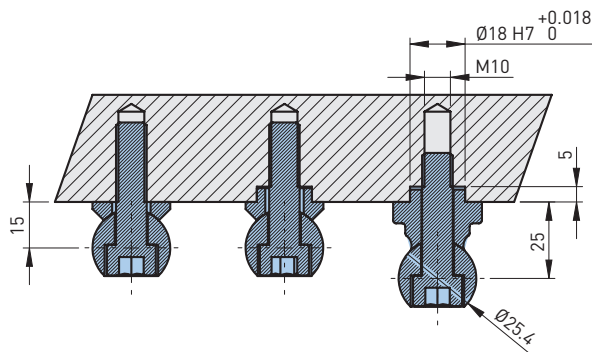
STABILIZER MOUNTING SCREW



Catalog Number	Description	Length (mm)
15.252.080	Stabilizer Mounting Screw M12 (Ø25.4)	40
15.252.081	Stabilizer Mounting Screw M14 (Ø25.4)	
15.252.082	Stabilizer Mounting Screw M16 (Ø25.4)	
15.252.083	Stabilizer Mounting Screw M18 (Ø25.4)	
15.252.084	Stabilizer Mounting Screw M20 (Ø25.4)	50
15.252.085	Stabilizer Mounting Screw M24 (Ø25.4)	

• T-nut not included

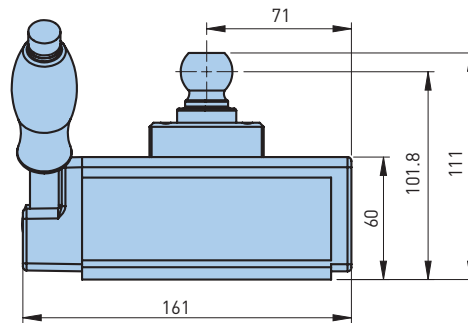
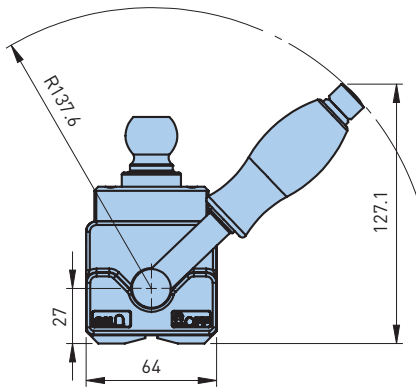
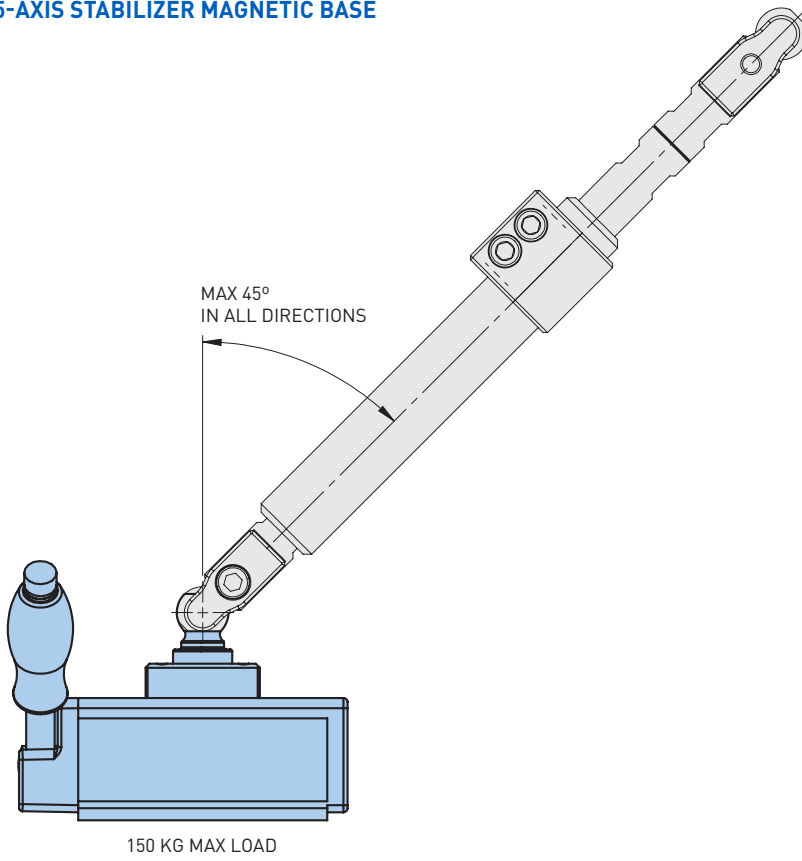
5-AXIS STABILIZER BALL AND COLLAR



Catalog Number	Fig.	Description	Height (mm)
15.252.380	1	5-Axis Stabilizer Ball and Collar	15
15.252.381	2	5-Axis Stabilizer Ball and Collar	15
15.252.382	3	5-Axis Stabilizer Ball and Collar	25
15.252.005	1/2/3	5-Axis Stabilizer Ball and Collar Set (Ø25.4)	15 or 25

• Set [15.252.005] contains 1 ball and 3 collars

5-AXIS STABILIZER MAGNETIC BASE



Catalog Number	Description
15.252.055	5-Axis Stabilizer Magnetic Base (1x Ø25.4)
15.252.056	5-Axis Stabilizer Magnetic Base (2x Ø25.4)

BIG KAISER Precision Tooling Inc.

A Member of the BIG DAISHOWA Group

2600 Huntington Blvd | Hoffman Estates, IL 60192 | P: (224) 770-2999 | F: (224) 770-2997 | bigkaiser@us.bigkaiser.com | www.bigkaiser.com

02/2018 © Copyright 2018 BIG KAISER