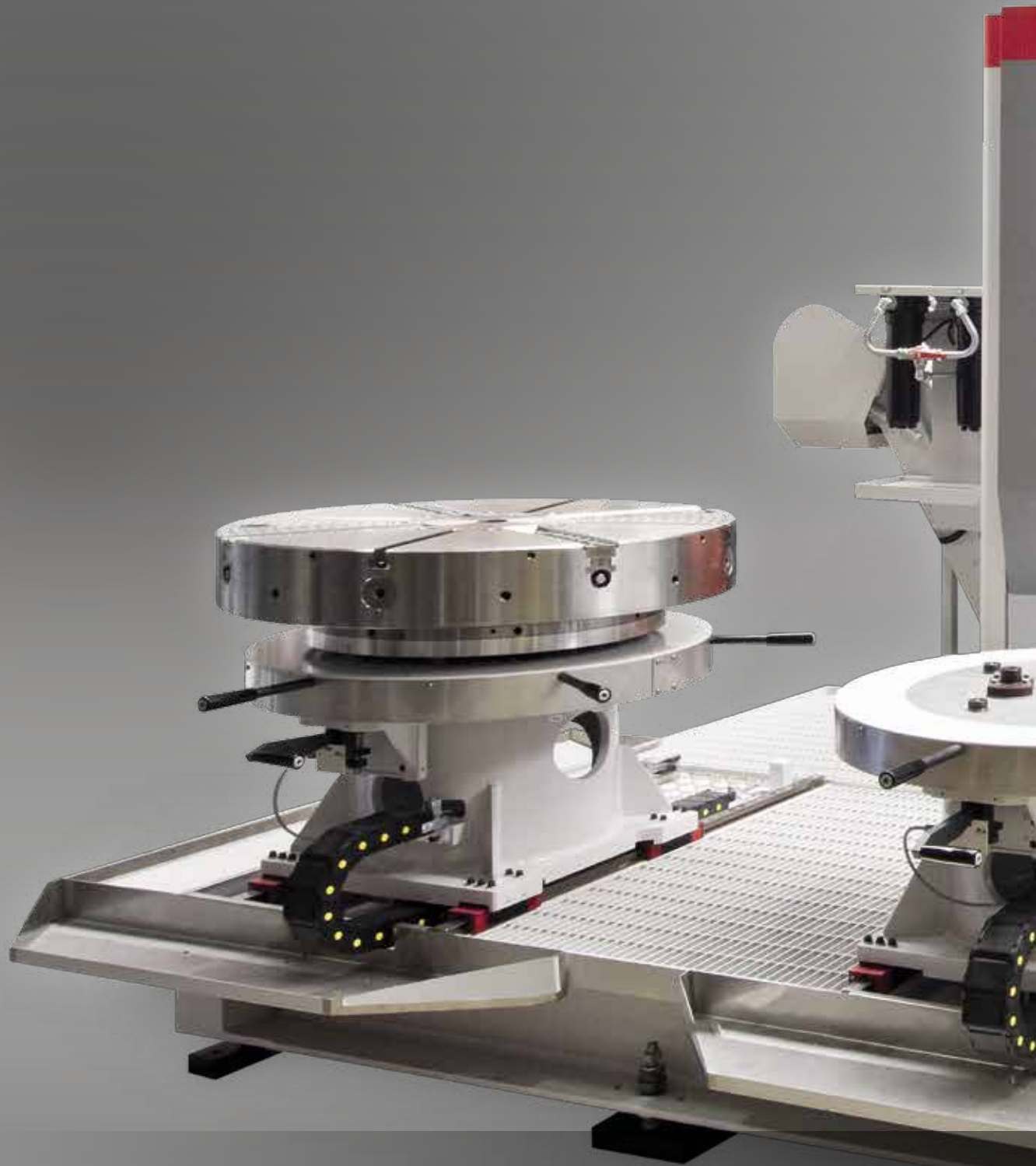


# ULTRIX



Flexible High Tech Solutions for Industry  
“Those who look a little harder discover a lot more”

**breton**  
Machine Tools



ULTRIX

Customized Efficiency

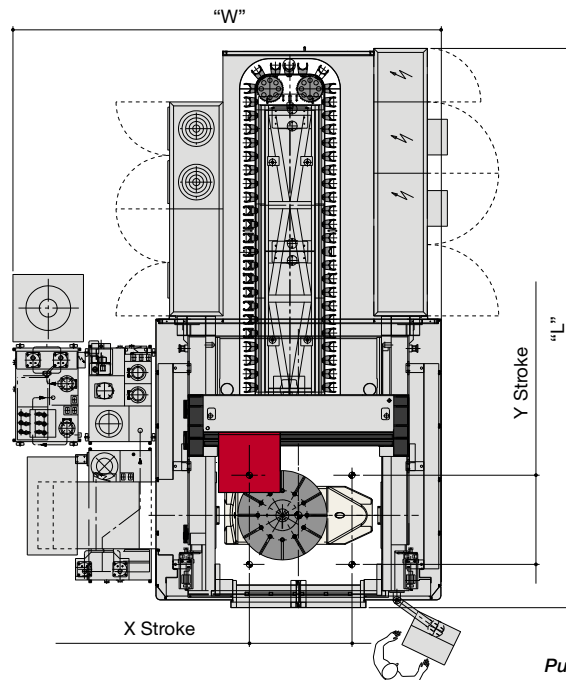
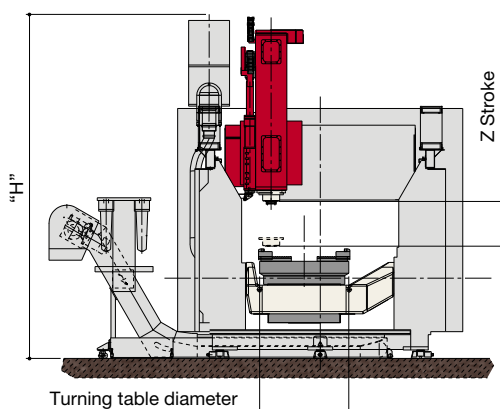


**breton**  
Machine Tools

# ULTRIX

**NEW**

		ULTRIX 800 RT	ULTRIX 1000 RT	ULTRIX 1200 RT
Interpolated axes		<b>5</b>	<b>5</b>	<b>5</b>
X Stroke	mm in	800 31.5	1,150 45.2	1,450 57
Y Stroke	mm in	900 35.4	1,000 39.4	1,500 59
Z Stroke	mm in	600 23.6	700 27.6	900 35.4
Turning table diameter	mm in	700 27.5	1,000 39.4	1,200 47.2
Max. turning diameter	mm in	800 31.5	1,000 39.4	1,500 59
X - Y Axes rapid feedrate	m/min ipm	60 2,362	60 2,362	60 2,362
Z Axis rapid feedrate	m/min ipm	40 1,575	40 1,575	40 1,575
A Axis rotation		-30° ÷ +110°	-30° ÷ +120°	± 130°
C Axis rotation		continuous	continuous	continuous
A Axis rapid feedrate	rpm	50	30	30
C Axis rapid feedrate	rpm	100	60	60
<b>MILLING SPINDLE:</b> Spindle power S6(40%) / S1	kW HP	40/40 or 54/40 or 55/40 53.6/53.6 or 72.4/53.6 or 73.8/53.6	85/74.6 or 54/40 or 40/40 114/100 or 72.4/53.6 or 53.6/53.6	85/74.6 or 54/40 or 40/40 114/100 or 72.4/53.6 or 53.6/53.6
Spindle torque S6(40%) / S1	Nm ft-lb	137/100 or 70/51 or 22/16 101/73.7 or 51.6/37.6 or 16.2/11.8	480/300 or 70/51 or 137/100 354/221 or 51.6/37.6 or 101/73.7	480/300 or 70/51 or 137/100 354/221 or 51.6/37.6 or 101/73.7
Spindle speed	rpm	18,000 or 28,000 or 40,000	14,000 or 28,000 or 18,000	14,000 or 28,000 or 18,000
<b>TURNING SPINDLE:</b> Spindle power S6(40%) / S1	kW HP	40/30 53.6/40.2	30/30 40.2/40.2	30/30 40.2/40.2
Spindle torque S6(40%) / S1	Nm ft-lb	1,525/1,000 1,124/737	2,700/2,000 1,991/1,475	2,700/2,000 1,991/1,475
Spindle speed range S6(40%) / S1	rpm	1,000/800	500/400	500/400
Milling tool taper		HSK-63A	HSK-63A or HSK-100A	HSK-63A or HSK-100A
Turning tool taper		Capto C6	Capto C8	Capto C8
W x H x L	mm in	4,500 x 3,300 x 3,800 177 x 129 x 149	4,500 x 3,700 x 7,750 177 x 145 x 305	5,200 x 4,000 x 4,100 204 x 157 x 161



Purely indicative picture



### **A comprehensive solution**

Our 5 Axis Gantry High Speed Tilt Table Machining Center Built for precision, longevity, and reliability in milling and turning small to large workpieces with ideal configurations ranging from super alloys to composites.

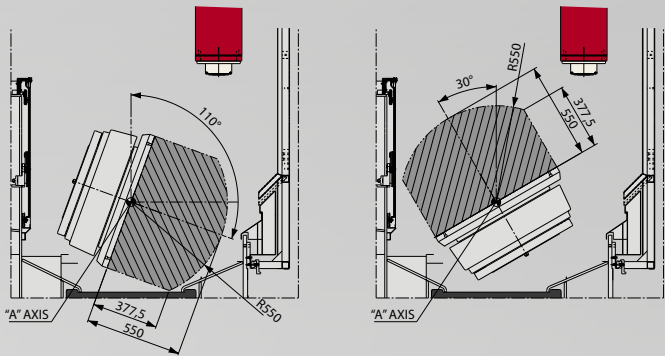
### **Purposeful workspace configurations**

Our Ultrix series is standard in two main size platforms of 800 mm, 1000 mm and 1200 mm (round table diameters) tailored to applications ranging from Complex Gear,

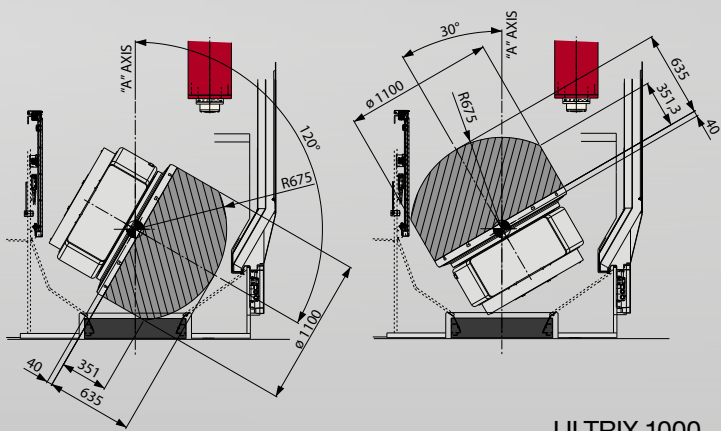
impeller, and blisk applications, molds, dies, tools, for Projects in aerospace, automotive, power generation, and general industry.

### **Ergonomics and convenience**

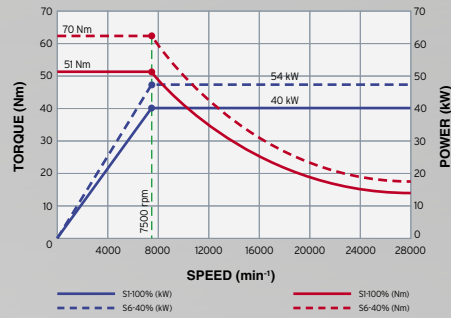
The Ultrix is designed for USER-FRIENDLY and productivity enhancing operation. We provide full frontal and overhead access to simplify and normalize load/unload operations. We provide full visibility to the working project through wide doors with a generous viewing area.



ULTRIX 800

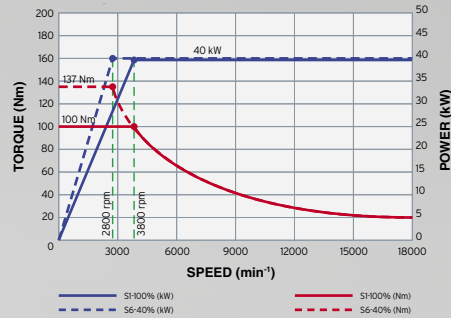


ULTRIX 1000



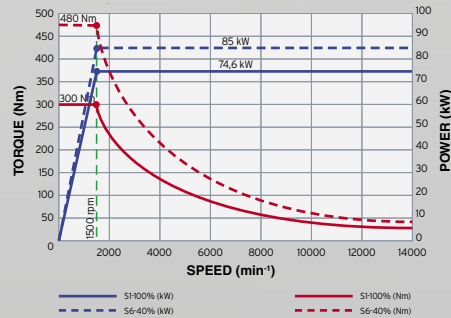
### M 51/28

A 40 kW electrospindle with a 51 nm continuous torque in s1 and 28,000 rpm is the ideal choice for high-speed machining requirements for steel and light alloy from rough milling to precision surface finishing operations.



### M 100/18

A 40 kW electrospindle with a 100 nm continuous torque in s1 and 18,000 rpm efficiently machines steel and light alloy from rough milling to precision surface finishing operations.



### M 300/14

A 48 kW electrospindle with a 300 nm continuous torque in s1 and 14,000 rpm efficiently machines steel and superalloy from rough milling to precision surface finishing operations.

### Advanced dynamics

Through our heavy duty structurally ribbed gantry constructed platform, our shoulders assembled with our Patented "Metalquartz" dampening system in synergy with our direct drive tilting table we are able to provide our client with extreme material removal, precision, and achievable finishes, with ultimate control over his process.

### Head (RAM) and carriage

Our massive head structure also incorporates our METALQUARTZ technology. The heavily ribbed and shielded cast iron spindle carriage slides on automatically lubricated reciprocating roller guides for frictionless motion with maximum way surface contact for truest motion under high feed rate stresses.



### Spindle performances

Our Ultrix can be customized according to the customers range with ONLY FIRST QUALITY, WORLD CLASS electrospindles in 14.000, 18.000 and 28.000 RPM with HSK 63/100 for milling and CAPTO C6/C8 or KM4X for turning. We offer power configurations, respecting the characteristic demands of both dedicated applications and broad possibilities typical of both OEM and job shop operations.

### Axes motion

Our X, Y, Z axis motion control systems are engineered for precise speed!  
The Motion of the X&Y axis perform by precision inclined rack and pinion motion control with latest generation digital AC brushless servomotors.  
The Z axis is movement is via precision ballscrew with a preloaded nut.



**breton**

**BRETON SPA**  
VIA GARIBALDI, 27  
31030 CASTELLO DI GODEGO TV - ITALY  
TEL +39 0423 7691 - FAX +39 0423 769600  
info@breton.it - www.breton.it



UNI EN ISO 9001:2000  
CERT. No. 0056/4



UNI EN ISO 14001:2004  
CERT. No. 299A/O



Breton S.p.A. reserves the right to improve the products specifications and design, even during the execution of contracts. Therefore, every figure supplied, has to be regarded as an indicative and approximate figure.

All right reserved. Any unauthorized reproduction, publication, execution, loan, or other public performance of this catalogue is peremptorily forbidden and may constitute civil responsibility. Trespassers will be prosecuted by law.