



# CARLISLE®



## 2017 SPECIALTY TIRE AND WHEEL CATALOG



[CARLISLEBRANDTIRES.COM](http://CARLISLEBRANDTIRES.COM)









## WELCOME

### To Our Valued Customers:

The Carlstar Group is proud to be your global partner for original equipment and aftermarket specialty tires and wheels. Our product offering spans a wide range of industries from the agriculture, construction, outdoor power equipment, powersports, high speed trailer and flat free/manual markets. The diverse portfolio of solutions are offered under several leading brands including Carlisle® tires and wheels, ITP® tires and wheels, as well as Cragar®, Black Rock® and Unique® wheels and Marastar® flat free and manual tires.

The Carlstar Group employs over 3000 passionate professionals around the globe ready and willing to assist you. With 15 facilities located in 4 countries, we strive to ensure you receive the right products where and when you need them.

This edition of the Carlisle Brand Specialty Tire and Wheel Catalog affords easy access to the latest product information, technical specifications, tread designs and applications. Use these color guides to easily find the product that serves your specialty application.



The Carlstar Group has created a culture of converting great ideas into advanced products and a legacy of excellence in product innovation, quality, and customer service.

For additional information, please visit [www.carlislebrandtires.com](http://www.carlislebrandtires.com) or contact your Carlstar Representative. We appreciate your continued partnership.

### Affiliations

The Carlstar Group is a proud member of the Outdoor Power Equipment Aftermarket Association (OPEAA), the Outdoor Power Equipment Institute (OPEI), the National Association of Trailer Manufacturers (NATM), the Specialty Equipment Market Association (SEMA), the Tire and Rim Association (TRA) and the Rubber Manufacturers Association (RMA).



## OUTDOOR POWER EQUIPMENT

<b>TURF SAVER®</b> - Turf-friendly market leading design for residential mowing applications.	6
<b>TURF SAVER® II</b> - Second generation Turf Saver with round shoulder design for residential applications.	7
<b>TURF TRAC R/S</b> - Versatile turf tire with balanced profile for grounds care and other applications.	7
<b>TURF MASTER®/MULTI TRAC C/S</b> - Commercial grade performance optimizes stability and traction.	8 – 9
<b>TURF SMART®</b> - Supreme traction, turf protection and durability for the pro turf maintenance market.	10
<b>ULTRA TRAC</b> - Ultra high flotation tires. Popular for large grounds maintenance equipment applications.	10
<b>FAST TRAX®</b> - Unique low profile tire features aggressive tread and great traction.	11
<b>TURF CTR</b> - Tread lightly with this low impact, round shouldered design.	11
<b>SMOOTH</b> - Turf-friendly smooth profile for pro mowers and grounds maintenance equipment.	12
<b>STRAIGHT RIB</b> - Another top turf care design. Great for ZTR, golf and other applications.	12
<b>AT101 CHEVRON</b> - Special lug with bar design for ZTR drive tires and other applications.	13
<b>WHEELBARROW</b> - Classic wheelbarrow rib for lawn carts, spreaders and wheelbarrows.	13
<b>STUD</b> - Versatile stud tread suitable for a variety of rugged applications.	14
<b>SAWTOOTH®</b> - Functional tread design popular for material handling equipment.	14
<b>SUPER LUG/POWER TRAC/TRU POWER</b> - Aggressive traction used for tiller and garden tractor applications.	15
<b>FLAT FREE</b> - Flat free assemblies for lawn and garden, wheelbarrows, hand trucks and lawn mowers.	16
<b>TOUR MAX®</b> - Upscale choice for golf cars and closed-community vehicles.	16
<b>TURF GLIDE</b> - A traditional course classic featuring shock absorbing sidewalls and round shoulder profile.	17
<b>LINKS®</b> - Premium level golf tire product with unmatched stability, durability and puncture resistance.	17
<b>FAIRWAY PRO</b> - A workhorse value delivering maximum golf course service.	17
<b>CLASSIC RIB</b> - Classic Rib is a high load capacity tire with a broad footprint for maximum turf protection.	17
<b>INDUSTRIAL TRAX</b> - Versatile tire designed for hard surface utility vehicle applications.	18
<b>SNOW HOG</b> - Snow thrower design with added traction.	18
<b>XTRAC®</b> - Aggressive tread for snow thrower and other push-behind applications.	19



## POWERSPORTS

<b>AT 489</b> - A Powersports Industry favorite. The 489 is light, strong and stable.	22
<b>AT 489 II</b> - New generation of the 489 is light, strong and stable.	23
<b>AT 489 X/L</b> - Lightweight, rated for exceptional intermediate to hard surface use.	23
<b>TRAIL WOLF®</b> - Forward traction design with extended wear compound for recreational use.	24
<b>TRAIL PRO®</b> - Constructed for increased shock absorption that offers a smooth ride under mixed conditions.	24
<b>A-C-T</b> - Radial construction, All-Conditions-Tire. Deep self-cleaning open tread.	25
<b>A-C-T HD</b> - Heavy duty All-Conditions-Tire with increased puncture resistance and load capabilities.	25
<b>STRYKER®</b> - Chevron design all-purpose tire that is work ready and self-cleaning.	26
<b>TERRATHON®</b> - Versatile all-terrain tire. Excellent for OE replacement.	26
<b>BADLANDS A/R</b> - Smooth-riding technology with a radial construction.	27
<b>BADLANDS XTR</b> - A beefed up Badlands radial construction with enhanced handling and traction.	27
<b>BLACK ROCK®</b> - Built strong and ready for any trail.	28
<b>BLACK ROCK® M/S</b> - Dominate the mud and snow with its unique tread design.	28
<b>VERSA TRAIL</b> - All-purpose utility with tough-tread, durable 6 ply rated construction.	29
<b>TURF TAMER</b> - From competitive track to recreation, the Turf Tamer is a longtime favorite.	29
<b>TRAIL WOLF® SPORT</b> - For the recreational rider offering sport specific front/rear tread designs.	30
<b>ALL TRAIL®</b> - Excellent for utility on pavement, concrete and hard-packed soil applications.	30
<b>ALL TRAIL® II</b> - An extension of the All Trail line. Workhorse applications.	30
<b>HD FIELD TRAX</b> - All around get-it-done field, farm and general outdoor favorite.	31
<b>KNOBBY</b> - Classic knobby tread design yielding both puncture resistance and traction.	31





## TRAILER

<b>RADIAL TRAIL® HD</b> - Radial trailer tire offers increased tire life.	34
<b>SPORT TRAIL®</b> - Bias construction with a radial look.	35
<b>SPORT TRAIL® LH</b> - Perfect for boat, cargo, horse and stock, utility and specialty trailers.	36
<b>USA TRAIL®</b> - Complete line of bias products for applications requiring durable performance.	37



## AGRICULTURE / CONSTRUCTION

<b>FARM SPECIALIST® F-2 TRIPLE RIB</b> - Triple rib front for improved steering in loose soil.	40
<b>FARM SPECIALIST® F-2M QUAD RIB</b> - Quad rib front design. Flotation and variable soil steering.	40
<b>FARM SPECIALIST® F-3</b> - Industrial front for front backhoe loaders.	41
<b>FARM SPECIALIST® FARM IMPLEMENT F-I</b> - Highway Service Implements.	41
<b>FARM SPECIALIST® HF-1</b> - Wide flotation implement tire for balers, wagons and harvest equipment.	42
<b>FARM SPECIALIST® I-1</b> - Implement tire for wagons, tankers, seeders, balers and other flotation applications.	42 – 43
<b>TRAC CHIEF® I-3</b> - Outstanding choice for backhoe applications. Traction implement design.	43
<b>FARM SPECIALIST® R-1</b> - Multi-angle long bar tread for general farming applications.	44
<b>FARM SPECIALIST® R-1-HA</b> - High-angle straight bar tread for classic appearance.	44
<b>TURF PRO R-3 / TURF PRO PLUS R-3</b> - Flotation tread design for general turf and mowing applications.	45
<b>MULTI TRAC CS R-3</b> - For general turf and mowing applications for minimal ground disturbance.	45
<b>XTRA GRIP® R-4</b> - Heavy duty design for backhoe and industrial applications.	45
<b>WT300®</b> - Turf-friendly compact skid steer tractor design for light duty applications.	45
<b>USA LOADER®</b> - Aerial platform lifts, backhoes, and skid steer tractor applications.	46
<b>ULTRA GUARD LVT®</b> - Extreme service skid steer tire with low void tread area.	46
<b>TRAC CHIEF®</b> - Standard duty skid steer and tractor traction applications.	46 – 47
<b>TRAC CHIEF® XT</b> - Standard duty full traction skid steer designs in extra load ratings.	46 – 47
<b>GUARD DOG® HD</b> - Premium level performance for skid steer and backhoe applications.	47
<b>ULTRA GUARD®</b> - Severe service skid steer with open shoulder tread design.	47
<b>ULTRA GUARD® MX</b> - Heavy Duty skid steer tire protects against damage from worksite debris.	48
<b>CSL SERIES</b> - Large diameter tires designed specifically for Agriculture.	48 – 50



## INDUSTRIAL

<b>INDUSTRIAL DEEP TRACTION</b> - Standard service application for forklifts.	54
<b>ROAD ROLLER</b> - Heat resistant design for paving equipment.	54
<b>INDUSTRIAL ALL PURPOSE</b> - Multi-purpose tire for industrial equipment.	54
<b>PREMIUM WIDE TRAC</b> - Forklift and material handling applications - premium levels.	55
<b>GROUND FORCE® ULTRA RIB GSE</b> - Deep tread design with premium compounding for ground support equipment.	55



## WHEELS

<b>AG WHEELS</b> - Steel - Boxed	58
<b>TRAILER WHEELS</b> - Steel and Aluminum Trailer Wheels - Boxed	58 – 61



## TUBES AND FLAPS

<b>TUBE FITMENTS &amp; APPLICATIONS</b>	64 – 70
<b>TUBE STEMS</b>	71

## Turf and Lawn

---

### RESIDENTIAL



**TURF SAVER®** 6



**TURF SAVER® II** 7



**TURF TRAC R/S** 7

### PROFESSIONAL



**TURF MASTER®** 8



**MULTI-TRAC C/S** 8



**TURF SMART®** 10



**ULTRA TRAC** 10



**FAST TRAX®** 11



**TURF CTR** 11



**SMOOTH** 12



**STRAIGHT RIB** 12



**AT 101 CHEVRON** 13

## Chore

---



**WHEELBARROW** 13



**STUD** 14



**SAWTOOTH®** 14



**SUPER LUG** 15



**POWER TRAC** 15



**TRU POWER** 15



**FLAT FREE** 16





## Golf / Utility



**TOUR MAX®** 16



**TURF GLIDE** 17



**LINKS®** 17



**FAIRWAY PRO** 17



**CLASSIC RIB** 17



**INDUSTRIAL TRAX** 18

## Snow



**SNOW HOG** 18



**XTRAC®** 19



**CONSUMER, COMMERCIAL TURF EQUIPMENT, GOLF CARS AND UTILITY VEHICLES**

**TURF SAVER®**

With its classic square shouldered design, Turf Saver is the market leader for residential riding mowers worldwide. The flat profile and chevron tread provide excellent traction. The Turf-friendly design and breadth of line makes the Turf Saver tire versatile in both application and fitment.

SIZE	PRODUCT CODE	PLY	DIAMETER†	WIDTH†	RIM WIDTH	MAX LOAD @ 10 MPH	MAX PSI	TIRE WEIGHT
9x3.50-4	<b>5110111</b>	4	8.8	3.6	2.50	260	50	2.0
4.10-4	<b>5110251</b>	2	10.9	3.8	2.50	225	24	2.8
11x4.00-4	<b>5110271</b>	2	11.2	4.1	2.50	215	24	3.0
11x4.00-5	<b>5110101</b>	2	10.9	4.0	3.00	210	22	3.2
13x5.00-6	<b>5110201</b>	2	12.8	4.7	3.50	290	20	3.5
13x5.00-6	<b>5110211</b>	4	13.0	4.8	3.50	440	40	4.3
13x6.50-6	<b>5111851</b>	2	13.3	6.5	4.50	320	14	5.5
13x6.50-6	<b>5111861</b>	4	13.4	6.3	4.50	480	28	5.9
15x6.00-6	<b>5110301</b>	2	14.3	6.4	4.50	365	14	4.8
16x6.50-8	<b>5110951</b>	2	16.3	6.6	5.38	380	12	6.0
16x6.50-8	<b>5110961</b>	4	16.4	6.4	5.38	615	28	6.7
16x7.50-8	<b>5112001</b>	2	16.4	7.0	5.38	480	12	7.5
4.80-8	<b>5112501</b>	2	16.5	4.8	3.75	440	20	5.7
18x6.50-8	<b>5110981</b>	2	17.2	6.4	5.38	520	14	6.6
18x6.50-8	<b>5110991</b>	4	17.2	6.5	5.38	760	28	8.0
18x7.50-8	<b>5111021</b>	4	18.0	7.2	5.38	805	24	9.6
18x8.50-8	<b>5110701</b>	2	17.9	8.2	7.00	520	10	9.0
18x8.50-8	<b>5110711</b>	4	18.2	8.2	7.00	825	22	10.0
18x9.50-8	<b>5110841</b>	2	17.8	9.5	7.00	695	12	10.6
18x9.50-8	<b>6L05011</b>	4	17.9	9.4	7.00	935	20	11.1
18x9.50-8	<b>511082</b>	6	18.5	9.5	7.00	1295	36	11.5
20x8.00-8	<b>5110801</b>	2	19.2	9.0	7.00	600	10	10.3
20x10.00-8	<b>5111011</b>	2	19.6	10.4	7.00	760	10	13.5
20x8.00-10	<b>5111111</b>	4	20.0	7.9	6.00	910	24	12.3
20x10.00-10	<b>5111161</b>	4	20.1	8.8	6.00	1225	24	14.2
21x7.00-10	<b>511140</b>	2	20.2	6.9	5.00	640	12	10.5
22x9.50-12	<b>5110511</b>	2	21.3	8.9	7.00	785	12	14.1
23x8.50-12	<b>511090</b>	2	23.1	8.5	7.00	715	10	13.5
23x9.50-12	<b>511100</b>	2	23.2	9.4	7.00	920	12	14.3
23x10.50-12	<b>511120</b>	2	22.6	10.5	8.50	880	10	15.5
23x10.50-12	<b>511121</b>	4	22.8	10.3	8.50	1320	20	16.5
24x12.00-12	<b>511075</b>	2	23.0	11.6	8.50	1140	10	19.4

All Outdoor Power Equipment are Non-Highway Service (NHS) Tires. † Indicates mounted diameter and mounted width





TURF SAVER® II

TURF TRAC R/S

### TURF SAVER® II

The Turf Saver® II tire is a modified version of the Turf Saver®. It features a round shoulder profile and is designed for use on residential riding lawn mowers. It is also commonly used for towable lawn carts, spreaders, sprayers and other mower attachments.

SIZE	PRODUCT CODE	PLY	DIAMETER†	WIDTH†	RIM WIDTH	MAX LOAD @ 10 MPH	MAX PSI	TIRE WEIGHT
13x5.00-6	<b>5112201</b>	2	12.5	4.5	3.50	290	20	3.3
15x6.00-6	<b>5112301</b>	2	14.3	5.9	4.50	365	14	4.3
16x6.50-8	<b>5112951</b>	2	16.1	6.2	5.38	410	14	5.3
18x8.50-8	<b>5112701</b>	2	17.6	8.2	7.00	520	10	7.4
18x9.50-8	<b>511284</b>	2	17.8	9.1	7.00	695	12	6.6
20x8.00-8	<b>5112801</b>	2	19.1	8.9	7.00	600	10	8.8

All Outdoor Power Equipment are Non-Highway Service (NHS) Tires.  
 † Indicates mounted diameter and mounted width

### TURF TRAC R/S

Turf Trac R/S offers all-around performance with a balanced profile and ample tread depth. Applications include grounds care equipment, zero turn mowers and utility vehicles.

SIZE	PRODUCT CODE	PLY	DIAMETER†	WIDTH†	RIM WIDTH	MAX LOAD @ 10 MPH	MAX PSI	TIRE WEIGHT
11x4.00-5	<b>5753331</b>	2	10.6	4.0	3.00	210	22	2.7
15x6.00-6	<b>5753191</b>	4	14.4	6.3	4.50	565	30	6.0
16x6.50-8	<b>6L02651</b>	4	16.0	6.6	5.38	617	28	6.4
18x8.50-8	<b>5753311</b>	4	17.7	8.1	7.00	825	22	9.9
20x10.00-8	<b>5753411</b>	4	19.7	9.7	7.00	1200	22	11.5
22.5x10-8	<b>5753B7</b>	4	22.6	10.0	7.00	1390	22	16.5
25x12.00-9	<b>50D3T7</b>	4	25.7	11.5	9.00	1820	20	18.9
20x10-10	<b>50D362</b>	4	19.6	9.4	8.00	1170	22	12.5
20x12-10	<b>575315</b>	4	19.8	10.1	7.00	1320	20	14.3
22x9.50-10	<b>5753N11</b>	4	21.7	9.5	7.00	975	14	15.7
24x9.50-10	<b>5753P2</b>	4	24.3	9.8	7.75	1420	22	16.4
24x12.00-10	<b>5753A6</b>	4	24.5	11.5	7.75	1710	20	20.7
23x10.50-12	<b>5753671</b>	4	22.6	10.4	8.50	1320	20	14.1
24x12.00-12	<b>575390</b>	6	23.3	11.0	8.50	2270	32	21.4
26x12.00-12	<b>50D363</b>	10	25.3	12.4	10.50	3300	52	25.9

All Outdoor Power Equipment are Non-Highway Service (NHS) Tires.  
 † Indicates mounted diameter and mounted width


*TURF MASTER*
*MULTI-TRAC C/S*

## TURF MASTER® / MULTI-TRAC C/S

The Turf Master / Multi-Trac C/S commercial grade tires feature our most durable tread compound with deep elements in a profile optimized for stability and traction.

TIRE	SIZE	PRODUCT CODE	PLY	DIAMETER†	WIDTH†	RIM WIDTH	MAX LOAD @ 10 MPH	MAX PSI	TIRE WEIGHT
Turf Master	13x6.50-6	<b>5112491</b>	4	13.4	6.1	4.50	480	28	5.8
Turf Master	15x6.00-6	<b>5112521</b>	4	14.4	6.0	4.50	565	30	6.0
Turf Master	15x6.50-8	<b>5112531</b>	2	15.0	6.2	5.38	385	14	6.2
Turf Master	15x6.50-8	<b>6L03071</b>	4	15.0	6.2	5.38	585	28	6.2
Turf Master	16x6.50-8	<b>5114011</b>	4	16.5	6.3	5.38	615	28	7.4
Turf Master	16x7.50-8	<b>5114021</b>	4	16.5	7.0	5.38	675	24	8.5
Turf Master	18x6.50-8	<b>5114171</b>	4	17.4	6.4	5.38	760	28	7.7
Multi-Trac C/S	18x7.00-8	<b>574351</b>	4	18.0	7.0	5.38	785	26	9.0
Turf Master	18x8.50-8	<b>5114041</b>	4	18.3	8.1	7.00	825	22	10.7
Multi-Trac C/S	18x8.50-8	<b>574365</b>	8	17.6	8.3	7.00	1280	44	14.3
Turf Master	18x9.50-8	<b>5114131</b>	4	18.1	9.2	7.00	1040	24	12.4
Multi-Trac C/S	18x9.50-8	<b>574399</b>	6	18.2	9.3	7.00	1295	36	12.3
Multi-Trac C/S	20x8.00-8	<b>6L03221</b>	2	19.2	9.0	7.00	600	10	10.4
Turf Master	20x10.00-8	<b>5114051</b>	4	19.9	10.3	7.00	1200	22	14.7
Multi-Trac C/S	18x8.50-10	<b>5743U11</b>	4	18.0	8.3	7.00	825	22	10.7
Multi-Trac C/S	18x8.50-10	<b>6L0174</b>	6	18.2	10.1	7.00	1050	32	11.0
Multi-Trac C/S	18x10.50-10	<b>5743E51</b>	4	17.9	10.1	8.50	995	20	14.2
Turf Master	20x8.00-10	<b>5114281</b>	4	20.2	8.1	6.00	910	24	14.2
Turf Master	20x10.00-10	<b>5114161</b>	4	20.0	8.8	6.00	1170	22	13.9
Multi-Trac C/S	20x10.00-10	<b>5743C2</b>	6	19.6	9.3	8.00	1430	32	17.0
Turf Master	20x12.00-10	<b>511257</b>	4	20.1	10.3	8.00	1320	20	14.1
Turf Master	22x11.00-10	<b>5112551</b>	4	21.7	10.1	7.00	1480	22	15.5
Turf Master	22x9.50-12	<b>511433</b>	4	21.9	9.1	7.00	1305	24	14.7
Turf Master	23x8.50-12	<b>511419</b>	4	22.9	8.4	7.00	1100	22	15.6
Multi-Trac C/S	23x8.50-12	<b>574372</b>	6	22.5	8.3	7.00	1430	34	18.6
Multi-Trac C/S	23x9.50-12	<b>574329</b>	4	23.2	9.0	7.00	1230	20	16.6
Turf Master	23x10.50-12	<b>511408</b>	4	23.3	10.0	8.50	1390	20	16.3
Multi-Trac C/S	23x10.50-12	<b>574353</b>	6	22.5	10.2	8.50	1760	32	22.6
Turf Master	24x9.50-12	<b>511434</b>	4	23.7	9.6	7.00	1500	24	19.8
Multi-Trac C/S	25x9.00-12	<b>574368</b>	4	24.9	9.5	8.00	1520	24	17.5
Multi-Trac C/S	25x11.00-12	<b>574369</b>	4	25.2	10.8	8.00	1825	24	22.0

All Outdoor Power Equipment are Non-Highway Service (NHS) Tires. † Indicates mounted diameter and mounted width





**TURF MASTER®/ MULTI-TRAC C/S** (continued)

TIRE	SIZE	PRODUCT CODE	PLY	DIAMETER†	WIDTH†	RIM WIDTH	MAX LOAD @ 10 MPH	MAX PSI	TIRE WEIGHT
Turf Master	24x12.00-12	<b>511409</b>	4	23.3	11.4	8.50	1710	20	21.8
Multi-Trac C/S	26x9.50-12	<b>6L04091</b>	4	25.5	9.3	7.00	1520	20	20.8
Multi-Trac C/S	26x12.00-12	<b>574361</b>	4	25.4	11.4	8.50	1760	20	26.8
Multi-Trac C/S	26x12.00-12	<b>574377</b>	6	25.3	11.5	8.50	2270	30	25.6
Multi-Trac C/S	24x8.50-14	<b>574324</b>	4	23.8	8.4	7.00	1230	22	17.7
Multi-Trac C/S	25x8.50-14	<b>574339</b>	4	25.0	8.6	7.00	1320	22	20.8
Multi-Trac C/S	25x8.50-14	<b>574371</b>	6	24.9	8.6	7.00	1650	32	23.9
Multi-Trac C/S*	27x8.50-15	<b>574348</b>	4	26.6	8.5	7.00	1230	30	26.2
Multi-Trac C/S*	27x8.50-15	<b>574356</b>	6	26.6	8.6	7.00	1570	45	25.9
Multi-Trac C/S*	27x10.50-15	<b>5743H6</b>	4	26.9	10.2	8.50	1320	30	30.1
Multi-Trac C/S*	27x10.50-15	<b>560371</b>	8	27.0	10.5	8.50	1870	60	32.1
Multi-Trac C/S*	29x12.50-15	<b>560478</b>	10	29.0	12.5	10.00	2470	60	39.7
Multi-Trac C/S*	31x13.50-15	<b>560362</b>	4	31.5	13.5	10.00	1650	20	46.1

All Outdoor Power Equipment are Non-Highway Service (NHS) Tires.  
 † Indicates mounted diameter and mounted width  
 \*NOTE: Max load @ 30 MPH



## TURF SMART®

Turf Smart provides supreme traction, turf protection and durability for all of your grounds care needs. Traction is enhanced through an innovative tread design featuring a self-cleaning Groove Ejection System which helps to keep the tread pattern fully engaged with the turf. This provides consistent performance required by grounds care professionals. Used primarily on ZTRs, riding mowers and other grounds care equipment.

SIZE	PRODUCT CODE	PLY	DIAMETER†	WIDTH†	RIM WIDTH	MAX LOAD @ 10 MPH	MAX PSI	TIRE WEIGHT
18x8.50-8	<b>6L01801</b>	4	18.3	8.4	7.00	825	22	9.6
18x8.50-10	<b>6L01791</b>	4	18.0	8.0	7.00	825	22	10.9
20x8.00-10	<b>6L01781</b>	4	19.8	7.8	6.00	910	24	11.0
20x10.00-8	<b>6L01771</b>	4	20.0	9.9	7.00	1200	22	12.4
20x10.00-10	<b>6L01761</b>	4	19.8	9.9	8.00	1170	22	13.0
22x11.00-10	<b>6L01751</b>	4	21.9	10.4	7.00	1480	22	19.0
22x9.50-12	<b>6L0162</b>	4	21.6	9.0	7.00	1170	20	15.0
23x9.50-12	<b>6L0161</b>	4	22.9	9.2	7.00	1230	20	16.3
23x10.50-12	<b>6L0160</b>	4	22.8	10.5	8.50	1320	20	17.2
24x9.50-12	<b>6L0159</b>	4	23.6	9.4	7.00	1360	20	17.0
24x12.00-12	<b>6L0055</b>	4	23.4	11.4	8.50	1710	20	21.0
26x12.00-12	<b>6L0220</b>	4	25.8	12.2	9.50	1760	20	24.8

All Outdoor Power Equipment are Non-Highway Service (NHS) Tires.

† Indicates mounted diameter and mounted width

## ULTRA TRAC

The Ultra Trac is the right approach for those specialized applications where high flotation is essential. Ultra Trac tires are wide with a flat footprint and reduced void in the tread. These features yield low ground pressure and good traction while preserving the turf. Ultra Trac tires are most often utilized on golf and grounds maintenance equipment.

SIZE	PRODUCT CODE	PLY	DIAMETER†	WIDTH†	RIM WIDTH	MAX LOAD @ 10 MPH	MAX PSI	TIRE WEIGHT
24x13.00-12	<b>529368</b>	4	23.0	12.9	10.50	1760	18	27.0
24x13.00-12	<b>529387</b>	6	23.4	12.9	10.50	2270	28	28.4
26.5x14.00-12	<b>529386</b>	4	26.5	14.4	10.50	2150	18	33.3
29x14.00-15*	<b>5293E6</b>	6	28.6	14.3	11.00	1710	30	47.3

All Outdoor Power Equipment are Non-Highway Service (NHS) Tires.

† Indicates mounted diameter and mounted width

\*NOTE: Max load @ 30 MPH





**FAST TRAX®**

Fast Trax offers increased traction combined with a low profile and is typically used on professional riding mowers where hillside traction is desired.

SIZE	PRODUCT CODE	PLY	DIAMETER†	WIDTH†	RIM WIDTH	MAX LOAD @ 10 MPH	MAX PSI	TIRE WEIGHT
18x11.00-10	<b>501043</b>	4	17.7	9.7	8.50	1100	22	13.0

All Outdoor Power Equipment are Non-Highway Service (NHS) Tires.  
† Indicates mounted diameter and mounted width



**TURF CTR**

Turf CTR is a round shouldered, low impact tire used on professional ZTR mowers when treading lightly is critical.

SIZE	PRODUCT CODE	PLY	DIAMETER†	WIDTH†	RIM WIDTH	MAX LOAD @ 10 MPH	MAX PSI	TIRE WEIGHT
22x11.00-8	<b>511501</b>	4	22.4	10.8	9.00	935	10	14.3

All Outdoor Power Equipment are Non-Highway Service (NHS) Tires.  
† Indicates mounted diameter and mounted width



SMOOTH

STRAIGHT RIB

**TRANSPORT VEHICLES, RIDING MOWERS, GARDEN TRACTORS, FARM EQUIPMENT AND WHEELBARROWS**
**SMOOTH**

Smooth and Straight Rib tires are used on front swivel casters for professional ZTR mowers. Larger sizes are applicable for golf and grounds maintenance equipment.

SIZE	PRODUCT CODE	PLY	DIAMETER†	WIDTH†	RIM WIDTH	MAX LOAD @ 10 MPH	MAX PSI	TIRE WEIGHT
8x3.00-4	<b>5120081</b>	4	8.2	2.9	2.50	120	30	1.6
9x3.50-4	<b>5120101</b>	4	8.9	3.7	2.50	260	50	2.5
11x4.00-5	<b>5120111</b>	4	11.2	4.1	3.50	330	46	2.9
11x6.00-5	<b>5100521</b>	4	11.1	5.2	3.25	450	42	4.4
13x5.00-6	<b>5120211</b>	4	12.7	4.8	3.50	440	40	4.2
13x6.50-6	<b>5121861</b>	4	12.9	5.9	4.50	480	28	5.0
4.80-8	<b>5120511</b>	4	16.8	4.8	3.75	760	70	4.2
18x9.50-8	<b>5109811</b>	4	17.8	9.3	7.00	1020	24	11.0
18x10.50-10	<b>586310</b>	2	18.1	9.8	8.00	740	12	12.4
18x10.50-10	<b>6L0149</b>	4	18.4	9.3	8.00	1100	24	13.2
20x10.00-10	<b>586325</b>	2	19.5	9.5	8.50	815	12	12.9
24x13.00-12	<b>510710</b>	4	23.7	13.1	10.50	1730	18	28.8

All Outdoor Power Equipment are Non-Highway Service (NHS) Tires.  
 † Indicates mounted diameter and mounted width

**STRAIGHT RIB**

SIZE	PRODUCT CODE	PLY	DIAMETER†	WIDTH†	RIM WIDTH	MAX LOAD @ 10 MPH	MAX PSI	TIRE WEIGHT
11x4.00-4	<b>5110921</b>	4	10.4	4.1	2.50	330	46	3.4
11x4.00-5	<b>5180111</b>	4	11.1	4.2	3.00	330	46	3.3
13x5.00-6	<b>5180211</b>	4	12.8	4.7	3.50	440	40	4.1
13x6.50-6	<b>5181861</b>	4	13.0	5.9	4.50	480	28	5.0
15x6.00-6	<b>5180311</b>	4	14.4	6.1	4.50	565	30	5.9
16x6.50-8	<b>5180961</b>	4	16.0	6.5	5.38	615	28	6.7
18x9.50-8	<b>518081</b>	4	17.7	9.3	7.00	1020	24	9.8
20x10.00-10*	<b>518116</b>	4	20.0	8.7	6.00	1170	22	12.8
26x12.00-12	<b>518711</b>	4	25.0	11.7	10.50	1760	20	20.7

All Outdoor Power Equipment are Non-Highway Service (NHS) Tires.  
 † Indicates mounted diameter and mounted width  
 \*NOTE: The 20 x 10.0 - 10 is called a Turf Glide tire.





### AT 101 CHEVRON

AT 101 Chevron is a specialty lug design with bars that taper in the shoulder area. This feature, along with muted lug depth, allows it to be used as a drive tire on zero turn mowers when extra traction is needed.

SIZE	PRODUCT CODE	PLY	DIAMETER†	WIDTH†	RIM WIDTH	MAX LOAD @ 10 MPH	MAX PSI	TIRE WEIGHT
21x11.00-8	<b>599044</b>	4	21.0	10.8	8.50	1390	22	17.1
21x11.00-10	<b>599050</b>	4	20.9	10.4	8.50	1390	22	15.7
24x12.00-12	<b>560352</b>	4	24.0	12.0	9.50	1710	20	22.3

All Outdoor Power Equipment are Non-Highway Service (NHS) Tires.  
 † Indicates mounted diameter and mounted width



### RIDING MOWERS, GARDEN TRACTORS, SNOW THROWERS, TILLERS, ATV'S AND UTILITY VEHICLES

### WHEELBARROW

The wheelbarrow rib tire is used for tasks where lawn carts, spreaders and wheelbarrows are the equipment of choice.

SIZE	PRODUCT CODE	PLY	DIAMETER†	WIDTH†	RIM WIDTH	MAX LOAD @ 10 MPH	MAX PSI	TIRE WEIGHT
4.00-6	<b>5134371</b>	2	13.7	4.0	2.50	330	30	2.3
4.80-8	<b>5134511</b>	2	15.8	3.8	2.50	550	30	2.8
4.80-8	<b>5130511</b>	4	16.5	4.6	3.75	765	70	4.1

All Outdoor Power Equipment are Non-Highway Service (NHS) Tires.  
 † Indicates mounted diameter and mounted width


**UTILITY CARTS, WHEELBARROWS, PRESSURE WASHERS, GENERATORS, HAND TRUCKS, LAWN EQUIPMENT, AND FUN CARTS**
**STUD**

Stud and Sawtooth tires are used in many of the same small industrial product applications. Hand trucks, industrial carts, and pressure washers are examples of equipment that utilize these tires. The stud pattern has an aggressive appearance with excellent traction while the Sawtooth offers smooth rolling performance.

SIZE	PRODUCT CODE	PLY	DIAMETER†	WIDTH†	RIM WIDTH	MAX LOAD @ 10 MPH	MAX PSI	TIRE WEIGHT
4.10-4	<b>5160251</b>	2	10.6	3.6	2.50	225	24	2.4
4.10-5	<b>5160301</b>	2	11.6	3.8	3.00	260	24	2.5
4.10-6	<b>5160351</b>	2	12.5	3.9	3.25	290	24	2.7
4.80-8	<b>5160501</b>	2	16.4	4.7	3.75	440	20	4.6
4.80-8	<b>5164291</b>	4	16.3	4.7	3.75	670	42	6.1

All Outdoor Power Equipment are Non-Highway Service (NHS) Tires.  
† Indicates mounted diameter and mounted width


**SAWTOOTH®**

SIZE	PRODUCT CODE	PLY	DIAMETER†	WIDTH†	RIM WIDTH	MAX LOAD @ 10 MPH	MAX PSI	TIRE WEIGHT
2.80-4	<b>5190011</b>	4	9.0	2.9	2.50	180	50	1.6
4.10-4	<b>5190251</b>	2	10.6	3.6	2.50	225	24	2.4
4.10-4	<b>5190261</b>	4	10.6	3.7	2.50	350	50	2.7
4.10/3.50-6	<b>5190361</b>	4	13.1	4.2	3.25	495	85	4.0
5.30/4.50-6	<b>519067</b>	6	14.6	5.3	3.50	885	95	5.6
4.80/4.00-8	<b>5190501</b>	2	16.0	4.6	3.75	510	35	4.8

All Outdoor Power Equipment are Non-Highway Service (NHS) Tires.  
† Indicates mounted diameter and mounted width





RIDING MOWERS, GARDEN TRACTORS, SNOW THROWERS, TILLERS, ATV'S AND UTILITY VEHICLES

**SUPER LUG, POWER TRAC AND TRU POWER**

Super Lug, Power Trac and Tru Power tires are most often found on garden tractors, tillers and trenchers. The trio provides superior traction derived from sturdy tread lugs, spaced and angled precisely to maximize pulling power.

TIRE	SIZE	PRODUCT CODE	PLY	DIAMETER†	WIDTH†	RIM WIDTH	MAX LOAD @ 10 MPH	MAX PSI	TIRE WEIGHT
Super Lug	13x5.00-6	5100201	2	13.1	4.5	3.50	290	20	4.0
Super Lug	14x4.50-6	5100251	2	14.5	4.4	3.25	320	20	3.9
Super Lug	16x6.50-8	5100961	4	16.5	6.3	5.38	615	28	8.1
Power Trac	4.80-8	5109501	2	16.2	4.1	2.50	440	20	5.3
Super Lug	18x9.50-8	5100801	2	18.0	8.7	7.00	695	12	13.5
Super Lug	20x10.00-8	510101	4	20.1	9.7	7.00	1200	22	18.4
Tru Power	18x8.50-10	523311	4	18.1	7.8	6.00	825	22	10.2
Tru Power	6-12	5233C3	4	22.8	5.5	4.00	590	28	12.8
Tru Power	23x8.50-12	523301	4	22.6	8.3	7.00	1100	22	16.3
Tru Power	23x10.50-12	523367	4	23.3	10.4	7.00	1390	20	25.4
Tru Power	26x12.00-12	523361	4	25.6	12.3	8.50	1760	20	32.4
Tru Power	26x12.00-12	523360	8	25.6	12.3	10.50	3000	42	38.4
Tru Power*	29x12.50-15	5233D4	6	29.3	11.6	10.00	1650	30	43.6
Tru Power*	31x15.50-15	5233A4	8	31.4	15.1	13.00	2760	45	73.5

All Outdoor Power Equipment are Non-Highway Service (NHS) Tires.

† Indicates mounted diameter and mounted width

\*NOTE: Max load at 30 MPH



SUPER LUG

POWER TRAC

TRU POWER


**HAND TRUCKS, WHEELBARROWS, TURF AND CHORE APPLICATIONS**
**FLAT FREE**

Carlisle branded flat free full assemblies for lawn and garden, wheelbarrows, hand truck and lawn mowers.

SIZE	PRODUCT CODE	TREAD	HUB	BEARINGS	DIAMETER††	WIDTH†	TIRE + WHEEL WEIGHT	WEIGHT CAPACITY	CASE QTY
Universal Wheelbarrow	<b>483791</b>	Ribbed	3" Centered with Spacers	5/8" & 3/4"	14.5	3.2	6.0	300	6
Universal Hand Truck	<b>483811</b>	Sawtooth	2.25" Offset with Spacers	5/8" & 3/4"	10.3	3.2	3.8	300	6
2.80/2.50 - 4"	<b>483871</b>	Sawtooth	3" Centered	1/2" Precision	8.4	3.0	3.0	275	6
9x3.50 - 4"	<b>483831</b>	Smooth	4" Centered	3/4" Bushing	9.3	3.2	3.9	300	6
4.10/3.50 - 4"	<b>483801</b>	Sawtooth	2.25" Offset	5/8" Precision	10.4	3.4	4.0	300	6
11x4.00 - 5"	<b>483821</b>	Smooth	5" Centered	3/4" Bushing	10.7	4.0	5.8	350	6
4.00 - 6"	<b>483771</b>	Ribbed	3" Centered	5/8" Precision	13.2	3.4	5.1	300	6
13x5.00 - 6"	<b>483851</b>	Turf	3" Centered	3/4" Bushing	13.3	4.5	8.1	400	3
13x6.50 - 6"	<b>483841</b>	Turf	3" Centered	3/4" Bushing	13.5	6.2	11.5	400	3
15x6.50 - 6"	<b>483861</b>	Turf	3" Centered	3/4" Bushing	14.0	6.3	12.1	500	3
4.80/4.00 - 8"	<b>483761</b>	Ribbed	6" Centered	5/8" Precision	15.5	3.4	8.1	500	6
4.80/4.00 - 8"	<b>483781</b>	Ribbed	3" Centered	3/4" Precision	15.5	3.4	8.0	500	6

All Outdoor Power Equipment are Non-Highway Service (NHS) Tires.

† Indicates mounted diameter and mounted width

†† Indicates overall diameter

**GOLF CARS AND UTILITY VEHICLES**
**TOUR MAX®**

Tour Max is a low profile, smooth riding tire designed primarily for golf cars and closed community vehicles. The tread pattern, rubber compound and tire construction provide durability as well as ride comfort on hard surface paths.

SIZE	PRODUCT CODE	PLY	DIAMETER†	WIDTH†	RIM WIDTH	MAX LOAD @ 10 MPH	MAX PSI	TIRE WEIGHT
18x8.50-8	<b>6L02221</b>	4	17.7	8.4	7.00	825	22	9.9
18.5x8.50-8	<b>5191481</b>	LR B	18.1	8.1	7.00	675	30	11.7
205/50-10	<b>5191461</b>	LR B	18.7	7.6	7.00	675	30	11.8

All Outdoor Power Equipment are Non-Highway Service (NHS) Tires. † Indicates mounted diameter and mounted width





### TURF GLIDE

One of the original golf car tires, the Turf Glide has a tall sidewall to absorb impact and a turf-friendly round contour profile.

SIZE	PRODUCT CODE	PLY	DIAMETER†	WIDTH†	RIM WIDTH	MAX LOAD @ 10 MPH	MAX PSI	TIRE WEIGHT
8.00-6*	<b>508040</b>	4	17.6	7.1	3.25	410	20	8.0

All Outdoor Power Equipment are Non-Highway Service (NHS) Tires. † Indicates mounted diameter and mounted width \*NOTE: Turf Glide is a Tube Type (TT) Tire.

### LINKS®

The Links tire is a premier tire for the golf car market featuring a wide footprint, strong sidewall and long wear rubber compound providing unmatched stability and durability.

SIZE	PRODUCT CODE	PLY	DIAMETER†	WIDTH†	RIM WIDTH	MAX LOAD @ 10 MPH	MAX PSI	TIRE WEIGHT
18x8.50-8	<b>5192711</b>	4	17.4	8.6	7.00	825	22	11.7

All Outdoor Power Equipment are Non-Highway Service (NHS) Tires. † Indicates mounted diameter and mounted width



Tour Max

Turf Glide

Links

Fairway Pro

### FAIRWAY PRO

Fairway Pro is an excellent value providing long hours of dependable performance on the course.

SIZE	PRODUCT CODE	PLY	DIAMETER†	WIDTH†	RIM WIDTH	MAX LOAD @ 10 MPH	MAX PSI	TIRE WEIGHT
18x8.50-8	<b>5189761</b>	4	18.2	8.4	7.00	825	22	11.5

All Outdoor Power Equipment are Non-Highway Service (NHS) Tires. † Indicates mounted diameter and mounted width

### CLASSIC RIB

Classic Rib is a high load capacity tire with a broad footprint for maximum turf protection.

SIZE	PRODUCT CODE	PLY	DIAMETER†	WIDTH†	RIM WIDTH	MAX LOAD @ 10 MPH	MAX PSI	TIRE WEIGHT
18x9.50 - 8	<b>5832D8</b>	10	17.6	8.7	7.00	1780	60	13.4

All Outdoor Power Equipment are Non-Highway Service (NHS) Tires. † Indicates mounted diameter and mounted width


**HARD SURFACE UTILITY VEHICLE**
**INDUSTRIAL TRAX**

Industrial Trax is designed for hard surface utility vehicle applications such as concession vehicles on golf courses.

SIZE	PRODUCT CODE	PLY	DIAMETER†	WIDTH†	RIM WIDTH	MAX LOAD @ 10 MPH	MAX PSI	TIRE WEIGHT
23x10.50-12	<b>599045</b>	4	22.5	10.4	8.50	1340	20	21.8
25x8.50-12	<b>560445</b>	6	24.8	8.5	7.00	1650	30	19.0
25x10.50-12	<b>560446</b>	6	25.0	10.5	7.00	1980	30	29.2

All Outdoor Power Equipment are Non-Highway Service (NHS) Tires.

† Indicates mounted diameter and mounted width


**SNOW HOG**

With its distinctive "X" shaped tread elements, the Snow Hog is primarily used on snow throwers but can be considered whenever superior traction is needed.

SIZE	PRODUCT CODE	PLY	DIAMETER†	WIDTH†	RIM WIDTH	MAX LOAD @ 10 MPH	MAX PSI	TIRE WEIGHT
4.10-4	<b>5170041</b>	2	11.0	3.7	2.50	225	24	2.8
4.10-6	<b>5170051</b>	2	12.8	4.0	3.25	290	24	3.2
15x5.00-6	<b>5170081</b>	2	14.8	5.0	3.50	405	20	4.8
4.80-8	<b>5170011</b>	2	16.2	4.7	3.75	440	20	5.5
16x6.50-8	<b>5170021</b>	2	16.4	6.2	5.38	410	14	6.2
18x6.50-8	<b>5170101</b>	4	17.2	6.6	5.38	760	28	7.6

All Outdoor Power Equipment are Non-Highway Service (NHS) Tires.

† Indicates mounted diameter and mounted width





RIDING MOWERS, GARDEN TRACTORS, SNOW THROWERS, TILLERS, ATV'S AND UTILITY VEHICLES

**XTRAC®**

Xtrac® is excellent for snow throwing equipment and other applications requiring aggressive traction. Xtrac® features a unique lug design for traction across the entire face of the tire.

SIZE	PRODUCT CODE	PLY	DIAMETER†	WIDTH†	RIM WIDTH	MAX LOAD @ 10 MPH	MAX PSI	TIRE WEIGHT
13x4.00-6	<b>5170151</b>	2	12.8	4.0	3.25	280	22	3.5
13x5.00-6	<b>5170161</b>	2	12.9	4.7	3.50	290	20	4.6
15x5.00-6	<b>5170171</b>	2	14.6	5.1	3.50	395	20	5.3
4.80-8	<b>5170111</b>	2	16.6	4.7	3.75	440	20	5.8
16x6.50-8	<b>5170181</b>	2	16.4	6.0	5.38	410	14	7.0

All Outdoor Power Equipment are Non-Highway Service (NHS) Tires.  
 † Indicates mounted diameter and mounted width

## All Purpose



**AT 489** 22



**AT 489 II** 23



**AT 489 XL** 23



**TRAIL WOLF®** 24



**TRAIL PRO®** 24



**A-C-T** 25



**A-C-T HD** 25



**STRYKER®** 26



**TERRATHON®** 26



**BADLANDS A/R** 27



**BADLANDS XTR** 27

## Mud



**BLACK ROCK®** 28



**BLACK ROCK® M/S** 28







### Sport / Performance



VERSA TRAIL 29



TURF TAMER 29



FRONT  
TRAIL WOLF® SPORT 30



REAR  
TRAIL WOLF® SPORT 30

### Hard Packed Turf



ALL TRAIL® 30



ALL TRAIL® II 30



HD FIELD TRAX 31



KNOBBY 31





**UTILITY VEHICLES, SIDE BY SIDE VEHICLES**

**AT 489**

AT 489 is a popular original equipment replacement tire and strikes a great balance between lightweight and puncture resistance. It has outstanding grip on loose terrain without giving up the comfortable ride on hard-packed surfaces.

SIZE	PRODUCT CODE	STAR/PLY	DIAMETER†	WIDTH†	RIM WIDTH	MAX LOAD @ 50 MPH	MAX PSI	TIRE WEIGHT	TREAD DEPTH (32nds)
22x11.00-10 NHS	<b>5893H5</b>	4 PR	22.0	10.0	8.00	620	12	16.0	19
22x9.50-10 NHS	<b>5793N1</b>	4 PR	22.1	9.6	7.00	585	14	15.8	19
24x12.00-10 NHS	<b>5793A6</b>	4 PR	24.0	12.0	9.50	1020	20	22.7	19
24x9.50-10 NHS	<b>5793P2</b>	4 PR	24.2	9.6	7.80	870	22	17.8	19
24x10.50-10 NHS	<b>5793N9</b>	4 PR	24.4	10.5	7.80	730	14	19.3	19
25x10.00-12 NHS	<b>589335</b>	4 PR	25.3	9.0	8.00	600	10	16.8	19
25x11.00-12 NHS	<b>589351</b>	4 PR	25.4	10.2	8.00	1050	22	20.1	19
25x8.00-12 NHS	<b>589359</b>	4 PR	25.3	7.6	6.50	785	22	14.3	19
AT23X8-11	<b>589304</b>	3*	23.5	7.5	6.50	290	7	14.1	19
AT24X11-10	<b>589305</b>	3*	24.3	9.8	9.00	440	7	17.0	19
25x8.00-12 NHS	<b>589306</b>	4 PR	25.3	7.4	6.00	495	10	14.1	19
AT25x11-10	<b>589308</b>	3*	25.1	10.6	9.00	455	7	19.8	19
AT23x10-10	<b>589327</b>	3*	23.4	9.5	8.00	375	7	17.1	19
AT24x10-11	<b>589328</b>	3*	24.6	9.6	8.00	395	7	17.9	19
AT23x8-12	<b>589329</b>	3*	23.1	7.4	6.50	280	7	13.1	19
AT23x10-12	<b>589330</b>	3*	23.4	9.1	8.00	365	7	16.7	19
AT24x8-11	<b>589332</b>	3*	24.2	8.6	6.50	320	7	17.3	19
AT26x10-12	<b>589336</b>	2*	25.7	9.8	8.00	385	5	18.8	19
AT24x8-12	<b>589337</b>	3*	24.4	7.6	6.50	310	7	13.8	19
AT24x9-12	<b>589342</b>	2*	23.8	8.9	8.00	265	5	16.5	19
AT24x11-12	<b>589344</b>	3*	24.0	10.9	9.00	430	7	20.3	19
AT24x9-11	<b>5893A9</b>	3*	24.3	9.1	7.50	365	7	17.2	19
AT23x7-10	<b>5893M0</b>	2*	23.0	7.0	6.00	240	5	11.6	19
AT22x11-10	<b>5893V0</b>	2*	22.0	11.1	8.00	330	5	15.8	19
25x11.00-12 NHS	<b>560414</b>	4 PR	25.5	10.5	8.00	1050	22	21.2	19
25x10.00-12 NHS	<b>560416</b>	4 PR	25.8	9.1	8.00	1005	24	18.9	19

NHS tires are Non-Highway Service Tires. "AT" tires are designed for ATV applications. "NHS" tires are designed for Utility Vehicle applications.

† Indicates mounted diameter and mounted width

\*NOTE: "AT" tires are Star Rated. "NHS" tires are Ply Rated (PR).





AT 489 II

AT 489 X/L



## AT 489 II

The AT 489 II is the new generation of the original AT 489. It features dependable performance for a wide range of terrain conditions. Made in the USA.

SIZE	PRODUCT CODE	PLY	DIAMETER†	WIDTH†	RIM WIDTH	MAX LOAD @ 50 MPH	MAX PSI	TIRE WEIGHT	TREAD DEPTH (32nds)
AT26x8-14	<b>560565</b>	3*	26.0	7.8	6.00	355	7	16.6	20
AT26x10-14	<b>560568</b>	3*	26.3	9.8	8.00	430	7	21.9	20
27x9-12 NHS	<b>6P0371</b>	6 PR	27.2	9.0	7.00	1230	32	21.0	20
27x11-12 NHS	<b>6P0372</b>	6 PR	27.4	11.4	9.00	1520	34	29.9	20

NHS tires are Non-Highway Service Tires. "AT" tires are designed for ATV applications. "NHS" tires are designed for Utility Vehicle applications.

† Indicates mounted diameter and mounted width

\*NOTE: "AT" tires are Star Rated. "NHS" tires are Ply Rated (PR).



## AT 489 X/L

The AT 489 XL tire is the heavy duty version of the original AT 489. It is an excellent choice for intermediate to hard surface use featuring a 3/4" lug depth and lightweight construction. Made in the USA.

SIZE	PRODUCT CODE	PLY	DIAMETER†	WIDTH†	RIM WIDTH	MAX LOAD @ 50 MPH	MAX PSI	TIRE WEIGHT	TREAD DEPTH (32nds)
AT25x8-12	<b>560490</b>	3*	25.3	7.6	6.50	340	7	16.0	23
AT25x11-12	<b>560491</b>	3*	25.5	10.8	9.00	455	7	21.1	23
AT26x9-12	<b>560460</b>	3*	26.0	8.9	7.00	410	7	18.9	23
AT26x11-12	<b>560461</b>	3*	26.3	11.0	9.00	480	7	24.5	23
AT26x8-12	<b>560480</b>	3*	26.1	7.8	6.50	375	7	17.8	23
AT27x9-12	<b>560470</b>	3*	27.0	8.9	7.00	440	7	19.0	23
AT27x11-12	<b>560471</b>	3*	27.3	12.1	8.00	495	7	24.9	23

NHS tires are Non-Highway Service Tires. "AT" tires are designed for ATV applications. "NHS" tires are designed for Utility Vehicle applications.

† Indicates mounted diameter and mounted width

\*NOTE: "AT" tires are Star Rated. "NHS" tires are Ply Rated (PR).



TRAIL WOLF

TRAIL PRO



**UTILITY VEHICLES, SIDE BY SIDE VEHICLES**

**TRAIL WOLF®**

The Trail Wolf tire features a deep, wrap around tread that promotes forward traction while minimizing lateral slip. Trail Wolf is made with stiff sidewalls that increase cornering control and a compound formulated for extended wear.

SIZE	PRODUCT CODE	STAR/PLY	DIAMETER†	WIDTH†	RIM WIDTH	MAX LOAD @ 50 MPH	MAX PSI	TIRE WEIGHT	TREAD DEPTH (32nds)
AT19x7-8	<b>5370371</b>	1*	19.0	6.8	5.50	143	4	8.1	9
AT19X8-8	<b>537038</b>	1*	19.0	7.1	6.00	161	4	9.0	8
AT20X7-8	<b>5370391</b>	1*	19.5	6.9	5.50	157	4	8.7	9
AT20X11-9	<b>537034</b>	3*	20.2	10.5	9.00	340	7	12.7	16
AT22X10-9	<b>537055</b>	3*	22.1	10.4	8.00	355	7	15.8	16
AT25X12-9	<b>537082</b>	3*	25.6	12.3	10.00	495	7	24.5	16
20X11.00-10 NHS	<b>510015</b>	4 PR	20.3	10.6	9.00	760	22	13.1	14
AT21X7-10	<b>537084</b>	3*	21.5	6.8	5.50	235	7	12.7	16
AT22X7-10	<b>537048</b>	3*	22.2	6.7	5.50	255	7	12.5	16
AT22X10-10	<b>537049</b>	3*	23.5	9.2	8.00	355	7	16.5	16
AT25X12-10	<b>537085</b>	3*	25.0	11.8	10.00	495	7	20.9	15
AT22X7-11	<b>537054</b>	3*	21.8	7.3	6.50	245	7	12.8	16
AT24X9-11	<b>537091</b>	3*	24.4	8.5	7.00	365	7	15.7	16
25X8.00-12 NHS	<b>537062</b>	4 PR	25.3	7.5	6.50	785	22	16.0	16
25X11.00-12 NHS	<b>537065</b>	4 PR	25.8	9.7	9.00	1050	22	19.5	16

NHS tires are Non-Highway Service Tires. "AT" tires are designed for ATV applications. "NHS" tires are designed for Utility Vehicle applications.  
 † Indicates mounted diameter and mounted width \*NOTE: "AT" tires are STAR Rated. "NHS" tires are Ply Rated. (PR).

**TRAIL PRO®**

Trail Pro tire is a lightweight, versatile tire that is constructed for better shock absorption and a smoother ride under mixed conditions. The non-directional tread pattern provides comfortable cornering, leaving roots and rocks in its track.



SIZE	PRODUCT CODE	STAR/PLY	DIAMETER†	WIDTH†	RIM WIDTH	MAX LOAD @ 40 MPH	MAX PSI	TIRE WEIGHT	TREAD DEPTH (32nds)
25x10.00-12 NHS	<b>6P0164</b>	4 PR	25.6	9.8	7.50	965	22	19.8	19
25x8.00-12 NHS	<b>6P0165</b>	4 PR	25.4	8.0	6.00	935	22	16.4	19
26x9.00-12 NHS	<b>6P0205</b>	4 PR	26.4	8.8	7.00	1050	20	18.8	19
26x11.00-12 NHS	<b>6P0206</b>	4 PR	26.6	11.1	8.00	1320	22	23.4	19

SIZE	PRODUCT CODE	STAR/PLY	DIAMETER†	WIDTH†	RIM WIDTH	MAX LOAD @ 50 MPH	MAX PSI	TIRE WEIGHT	TREAD DEPTH (32nds)
27x9.00-14 NHS	<b>6P0207</b>	6 PR	27.2	8.9	7.00	1200	32	20.2	19
27x11.00-14 NHS	<b>6P0208</b>	6 PR	27.4	10.5	9.00	1480	34	25.3	19

NHS tires are Non-Highway Service Tires. "AT" tires are designed for ATV applications. "NHS" tires are designed for Utility Vehicle applications.  
 † Indicates mounted diameter and mounted width





A.C.T.

A.C.T. HD

**UTILITY VEHICLES, SIDE BY SIDE VEHICLES****A.C.T.**

A.C.T. (All Conditions Tire) features advanced radial construction to absorb trail hazards and ride disturbances. The radial design increases both traction and ride quality. The A.C.T. tire has an aggressive open lug tread pattern with tread depth of .75 inches. Made in the USA.

SIZE	PRODUCT CODE	STAR/PLY	DIAMETER†	WIDTH†	RIM WIDTH	MAX LOAD @ 50 MPH	MAX PSI	TIRE WEIGHT	TREAD DEPTH (32nds)
AT25x8R12	<b>560425</b>	3*	25.0	7.8	6.50	340	7	16.7	24
AT25x11R12	<b>560426</b>	3*	25.7	10.6	9.00	455	7	23.3	24
26x8R12 NHS	<b>560441</b>	4 PR	26.4	7.8	6.50	550	10	17.8	24
26x10R12 NHS	<b>560442</b>	4 PR	26.6	10.2	8.00	640	10	23.1	24

NHS tires are Non-Highway Service Tires. "AT" tires are designed for ATV applications. "NHS" tires are designed for Utility Vehicle applications.  
† Indicates mounted diameter and mounted width \*NOTE: "AT" tires are Star Rated. "NHS" tires are Ply Rated (PR).

**A.C.T. HD**

The A.C.T. HD is a 6 ply rated radial tire with higher pressure, load capacities and larger sizes than the original A.C.T. This tire features increased carcass strength for less sidewall flex and rim guard protection for the wheel lip. Made in the USA.



SIZE	PRODUCT CODE	STAR/PLY	DIAMETER†	WIDTH†	RIM WIDTH	MAX LOAD @ 50 MPH	MAX PSI	TIRE WEIGHT	TREAD DEPTH (32nds)
25x8.00R12 NHS	<b>560481</b>	6 PR	25.2	7.7	6.50	700	18	21.0	32
25x11.00R12 NHS	<b>560482</b>	6 PR	25.8	10.5	9.00	935	18	26.6	32
26x8.00R12 NHS	<b>6P0360</b>	6 PR	26.3	7.8	6.50	550	10	21.7	32
26x9.00R12 NHS	<b>560465</b>	6 PR	26.3	8.5	7.00	830	18	25.0	32
26x10.00R12 NHS	<b>6P0361</b>	6 PR	26.5	10.0	8.00	640	10	27.3	32
26x11.00R12 NHS	<b>560466</b>	6 PR	26.8	10.5	9.00	985	18	29.0	32
27x9.00R12 NHS	<b>560472</b>	6 PR	27.5	8.9	7.00	890	18	25.6	32
27x11.00R12 NHS	<b>560473</b>	6 PR	27.5	10.6	8.00	1045	18	31.1	32

NHS tires are Non-Highway Service Tires. "AT" tires are designed for ATV applications. "NHS" tires are designed for Utility Vehicle applications.  
† Indicates mounted diameter and mounted width



**ATVS, UTILITY VEHICLES, SIDE BY SIDE VEHICLES**

**STRYKER®**

The Stryker tire features a unique offset chevron pattern that is self-cleaning with great performance in all terrains. Made in the USA.

SIZE	PRODUCT CODE	STAR/PLY	DIAMETER†	WIDTH†	RIM WIDTH	MAX LOAD @ 50 MPH	MAX PSI	TIRE WEIGHT	TREAD DEPTH (32nds)
AT22X11-8	<b>531073</b>	2*	22.8	11.1	9.00	340	5	21.2	19
AT22X11-9	<b>531065</b>	2*	22.5	11.3	10.00	340	5	20.7	19
AT25X12-9	<b>531075</b>	2*	25.2	12.2	10.00	430	5	26.8	19
AT22X11-10	<b>531095</b>	2*	22.9	10.1	8.00	330	5	19.2	19

NHS tires are Non-Highway Service Tires. "AT" tires are designed for ATV applications. "NHS" tires are designed for Utility Vehicle applications.

† Indicates mounted diameter and mounted width

\*NOTE: "AT" tires are STAR Rated. "NHS" tires are Ply Rated. (PR).



**TERRATHON®**

The Terrathon tire offers a versatile all terrain non-directional tread pattern. Made in the USA.

SIZE	PRODUCT CODE	STAR/PLY	DIAMETER†	WIDTH†	RIM WIDTH	MAX LOAD @ 50 MPH	MAX PSI	TIRE WEIGHT	TREAD DEPTH (32nds)
AT26X8-14	<b>560487</b>	3*	26.0	7.7	6.00	355	7	17.9	15
AT26X10-14	<b>560488</b>	3*	26.3	9.5	8.00	430	7	21.6	15

NHS tires are Non-Highway Service Tires. "AT" tires are designed for ATV applications. "NHS" tires are designed for Utility Vehicle applications.

† Indicates mounted diameter and mounted width

\*NOTE: "AT" tires are STAR Rated. "NHS" tires are Ply Rated. (PR).





## UTILITY VEHICLES, SIDE BY SIDE VEHICLES

### BADLANDS A/R

Badlands A/R is a rugged ATV tire featuring a radial construction with a V-shaped tread pattern; this provides a smooth ride while still offering traction and predictable handling. Made in the USA.

SIZE	PRODUCT CODE	STAR/PLY	DIAMETER†	WIDTH†	RIM WIDTH	MAX LOAD @ 50 MPH	MAX PSI	TIRE WEIGHT	TREAD DEPTH (32nds)
26x8.00R12 NHS	<b>530009</b>	4 PR	25.6	7.5	6.50	550	10	16.6	15
26x10.00R12 NHS	<b>530008</b>	4 PR	26.6	9.2	8.00	640	10	19.3	15

NHS tires are Non-Highway Service Tires. "AT" tires are designed for ATV applications. "NHS" tires are designed for Utility Vehicle applications.

† Indicates mounted diameter and mounted width



### BADLANDS XTR

Badlands XTR is a radial construction tire that absorbs trail hazards with its rugged design. It provides the ultimate smooth ride, traction and predictable handling with added X-shaped shoulder lugs to increase grip through corners. Made in the USA.

SIZE	PRODUCT CODE	STAR/PLY	DIAMETER†	WIDTH†	RIM WIDTH	MAX LOAD @ 50 MPH	MAX PSI	TIRE WEIGHT	TREAD DEPTH (32nds)
AT255/65R12	<b>537067</b>	3*	25.2	9.3	8.00	420	7	18.3	16
AT205/80R12	<b>537068</b>	3*	25.1	7.5	6.50	340	7	15.5	16
AT270/60R12	<b>537069</b>	3*	25.3	10.4	8.00	455	7	22.6	16

NHS tires are Non-Highway Service Tires. "AT" tires are designed for ATV applications. "NHS" tires are designed for Utility Vehicle applications.

† Indicates mounted diameter and mounted width

\*NOTE: "AT" tires are Star Rated. "NHS" tires are Ply Rated (PR).



**BLACK ROCK®**

Own the trail with the versatile Black Rock ATV tire. Designed to balance ride quality with an aggressive 3/4" depth tread pattern, this tire is built strong and ready for any trail conditions. Made in the USA.

SIZE	PRODUCT CODE	STAR/PLY	DIAMETER†	WIDTH†	RIM WIDTH	MAX LOAD @ 50 MPH	MAX PSI	TIRE WEIGHT	TREAD DEPTH (32nds)
AT24x9-11	<b>560530</b>	3*	24.0	8.7	7.00	365	7	18.3	24
AT24x9-12	<b>560534</b>	3*	24.0	8.5	7.00	365	7	15.5	24
AT25x8-12	<b>560538</b>	3*	25.3	8.0	6.50	340	7	22.6	24
AT25x10-12	<b>560540</b>	3*	25.3	9.6	8.00	420	7	22.2	24
AT26x9-12	<b>560539</b>	3*	26.4	9.0	7.00	410	7	19.8	24
AT26x11-12	<b>560541</b>	3*	26.3	10.4	9.00	480	7	23.6	24
27x9-14 NHS	<b>560577</b>	6 PR	27.1	9.0	6.00	910	20	25.9	24
27x11-14 NHS	<b>560578</b>	6 PR	27.4	10.6	9.00	1170	22	29.3	24

NHS tires are Non-Highway Service Tires. "AT" tires are designed for ATV applications. "NHS" tires are designed for Utility Vehicle applications.  
 † Indicates mounted diameter and mounted width  
 \*NOTE: "AT" tires are Star Rated. "NHS" tires are Ply Rated (PR).



**BLACK ROCK® M/S**

Equipped with a unique tread design for increased traction and control, the Black Rock M/S dominates in the mud and snow and leads riders on their next outdoor exploration.

SIZE	PRODUCT CODE	STAR/PLY	DIAMETER†	WIDTH†	RIM WIDTH	MAX LOAD @ 50 MPH	MAX PSI	TIRE WEIGHT	TREAD DEPTH (32nds)
25x8-12 NHS	<b>6P0224</b>	6 PR	24.8	7.8	6.50	1020	34	23.3	39
25x10-12 NHS	<b>6P0225</b>	6 PR	25.0	9.5	8.00	1185	32	26.6	39
26x9-12 NHS	<b>6P0242</b>	6 PR	26.0	8.6	7.00	1170	32	27.9	39
26x11-12 NHS	<b>6P0243</b>	6 PR	26.7	10.7	9.00	1430	34	32.2	39
27x9-12 NHS	<b>6P0244</b>	6 PR	26.6	8.8	7.00	1230	32	30.0	39
27x11-12 NHS	<b>6P0245</b>	6 PR	27.5	10.8	9.00	1520	34	34.0	39
28x9-14 NHS	<b>6P0246</b>	6 PR	28.1	8.5	7.00	1280	32	31.0	39
28x11-14 NHS	<b>6P0247</b>	6 PR	28.7	10.9	9.00	1570	34	34.0	39

NHS tires are Non-Highway Service Tires. "AT" tires are designed for ATV applications. "NHS" tires are designed for Utility Vehicle applications.  
 † Indicates mounted diameter and mounted width





VERSA TRAIL

TURF TAMER



## ATVs, UTILITY VEHICLES, SIDE BY SIDE VEHICLES

## VERSA TRAIL

Versa Trail tire is an all-purpose utility tire for ATVs and side-by-sides. With its tough-tread rubber compound and durable 6-ply rated construction, the tire carcass protects against cuts, chips and tread wear to ensure unequalled puncture resistance.

SIZE	PRODUCT CODE	STAR/PLY	DIAMETER†	WIDTH†	RIM WIDTH	MAX LOAD @ 50 MPH	MAX PSI	TIRE WEIGHT	TREAD DEPTH (32nds)
25x8.00R12 NHS	<b>6P0270</b>	6 PR	25.1	8.0	6.50	1020	34	23.7	23
25x10.00R12 NHS	<b>6P0271</b>	6 PR	25.5	10.0	8.00	1200	32	26.9	23
26x9.00R12 NHS	<b>6P0272</b>	6 PR	26.1	8.9	7.00	1170	32	26.3	23
26x11.00R12 NHS	<b>6P0273</b>	6 PR	26.5	11.1	9.00	1430	34	29.8	23
27x9.00R12 NHS	<b>6P0268</b>	6 PR	27.1	8.9	7.00	1230	32	26.8	23
27x11.00R12 NHS	<b>6P0269</b>	6 PR	27.5	11.1	9.00	1520	34	31.0	23
27x9.00R14 NHS	<b>6P0274</b>	6 PR	27.3	8.9	7.00	1200	32	27.1	23
27x11.00R14 NHS	<b>6P0275</b>	6 PR	27.5	11.1	9.00	1480	34	31.7	23
28x10.00R14 NHS	<b>6P0276</b>	6 PR	28.2	10.0	8.00	1390	32	32.1	23
28x12.00R14 NHS	<b>6P0277</b>	6 PR	28.6	12.0	9.50	1650	32	34.9	23
29x10.00R15 NHS	<b>6P0324</b>	6 PR	29.4	10.0	8.00	1430	32	33.1	23

NHS tires are Non-Highway Service Tires. "AT" tires are designed for ATV applications. "NHS" tires are designed for Utility Vehicle applications.

† Indicates mounted diameter and mounted width



## TURF TAMER

Turf Tamer ATV tires are a favorite among racers due to its lightweight construction giving riders a tire that's fast, and a one-of-a-kind tread design that provides great traction. Made in the USA.

SIZE	PRODUCT CODE	STAR/PLY	DIAMETER†	WIDTH†	RIM WIDTH	MAX LOAD @ 50 MPH	MAX PSI	TIRE WEIGHT	TREAD DEPTH (32nds)
22.5X10.0-8 NHS	<b>55U3C7</b>	4 PR	23.0	9.2	8.00	825	22	13.2	16
AT25X12-9	<b>55U373</b>	3*	25.1	11.0	10.00	495	7	16.7	16
AT22.5X10-8	<b>55U3B9</b>	3*	22.3	9.6	8.00	365	7	12.9	16

NHS tires are Non-Highway Service Tires. "AT" tires are designed for ATV applications. "NHS" tires are designed for Utility Vehicle applications.

† Indicates mounted diameter and mounted width

\*NOTE: "AT" tires are STAR Rated. "NHS" tires are Ply Rated. (PR).



TRAIL WOLF SPORT REAR TRAIL WOLF SPORT FRONT ALL TRAIL ALL TRAIL II



**ATVS, UTILITY VEHICLES, SIDE BY SIDE VEHICLES**

**TRAIL WOLF® SPORT**

The Trail Wolf Sport tire is designed with a sport-specific tread pattern to provide extreme performance, handling and traction. It is the perfect choice for any cross-country or recreational rider.

SIZE	PRODUCT CODE	STAR/PLY	DIAMETER†	WIDTH†	RIM WIDTH	MAX LOAD @ 50 MPH	MAX PSI	TIRE WEIGHT	TREAD DEPTH (32nds)
AT20x10-9	<b>560496**</b>	3*	19.9	9.9	8.00	300	7	13.6	16
AT22x11-9	<b>560498**</b>	3*	21.6	11.4	9.00	395	7	16.7	16
AT21x7-10	<b>560510***</b>	3*	20.6	6.4	5.50	235	7	11.2	16
AT22x7-10	<b>560511***</b>	3*	21.4	6.5	5.50	255	7	11.9	16

NHS tires are Non-Highway Service Tires. "AT" tires are designed for ATV applications. "NHS" tires are designed for Utility Vehicle applications.  
 † Indicates mounted diameter and mounted width \*NOTE: "AT" tires are STAR Rated. "NHS" tires are Ply Rated. (PR).  
 \*\*Indicates rear wheel \*\*\*Indicates front wheel



**ALL TRAIL® / ALL TRAIL® II**

The All Trail and All Trail II lines are specifically designed for use on hard surface conditions. The low, wide profile reduces soft wallowing chassis roll commonly experienced with other tires. A unique tight tread pattern offers a smooth ride experience. The specially formulated compound delivers durable extended tire life with responsive, predictable and level handling on pavement, concrete and hard-packed soil. Made in the USA.

SIZE	PRODUCT CODE	STAR/PLY	DIAMETER†	WIDTH†	RIM WIDTH	MAX LOAD @ 50 MPH	MAX PSI	TIRE WEIGHT	TREAD DEPTH (32nds)
20X10.00-8 NHS	<b>510043</b>	4 PR	19.8	9.4	8.00	715	22	13.6	10
22X10.00-8 NHS	<b>510044</b>	4 PR	22.0	10.2	7.00	825	22	15.1	13
20X10.00-10 NHS	<b>510045</b>	4 PR	20.3	8.2	6.00	695	22	13.9	10
22X9.50-10 NHS	<b>55A3N1</b>	4 PR	22.0	9.6	8.00	715	20	15.0	14
22X11.00-10 NHS **	<b>510016</b>	4 PR	21.9	10.1	8.00	880	22	19.3	16
24X10.50-10 NHS	<b>55A3N9</b>	4 PR	24.3	10.8	8.00	990	24	19.3	14
23X8.00-12 NHS **	<b>511506</b>	4 PR	23.7	8.4	6.50	675	22	19.9	18
23X10.50-12 NHS **	<b>511505</b>	4 PR	23.1	10.1	8.50	835	20	22.0	20
23X11.00-10NHS	<b>6P0058</b>	6 PR	23.5	10.9	9.00	1230	34	19.9	16
24X9.50-10NHS	<b>55A3P2</b>	4 PR	24.0	9.5	7.50	870	22	16.7	14
25X8.00-12 NHS **	<b>511507</b>	4 PR	24.8	8.4	7.00	785	22	18.6	12
25X9.00-12 NHS	<b>560443</b>	4 PR	25.2	8.6	7.00	825	20	18.6	19
25X10-12 NHS **	<b>6P0334</b>	4 PR	24.9	10.5	8.00	965	22	24.2	12
25X10.50-12 NHS **	<b>511508</b>	4 PR	24.8	10.1	7.00	945	20	24.1	18
25X11.00-12 NHS	<b>560444</b>	4 PR	25.5	10.8	9.00	1050	22	20.4	16
25X11.00-12 NHS	<b>6P0333</b>	6 PR	25.5	11.2	9.00	1360	34	23.2	16
27X9.00-14 NHS	<b>6P0671</b>	4 PR	27.8	8.9	7.00	910	20	23.6	15
27X11.00-14 NHS	<b>6P0672</b>	4 PR	28.1	10.7	9.00	1170	22	29.5	15

NHS tires are Non-Highway Service Tires. "AT" tires are designed for ATV applications. "NHS" tires are designed for Utility Vehicle applications.  
 † Indicates mounted diameter and mounted width \*\* NOTE: Sizes shown above with asterisks (\*\*) are the All Trail tread pattern. Other sizes listed are the All Trail II tread pattern.



HD FIELD TRAX

KNOBBY



## ATVS, UTILITY VEHICLES, SIDE BY SIDE VEHICLES

## HD FIELD TRAX

HD Field Trax is designed to get things done in the field, on the golf course or around the farm. This tire features a wide profile that provides stability on even the toughest terrains. Made in the USA.

SIZE	PRODUCT CODE	STAR/PLY	DIAMETER†	WIDTH†	RIM WIDTH	MAX LOAD @ 50 MPH	MAX PSI	TIRE WEIGHT	TREAD DEPTH (32nds)
18X8.50-10 NHS	<b>5883U1</b>	4 PR	18.0	7.8	7.00	495	22	10.9	12
24X12.00-12 NHS	<b>560366</b>	2 PR	23.3	11.2	9.50	675	10	24.4	12
26X12.00-12 NHS	<b>560467</b>	2 PR	25.4	12.2	9.50	760	10	25.2	12
AT22.5X10-8	<b>5883B9</b>	3*	22.7	10.0	8.00	365	7	20.5	12
AT22X12-8	<b>588389</b>	3*	21.5	11.3	9.50	430	7	20.4	12
AT25X13-9	<b>588394</b>	3*	24.8	12.4	10.00	535	7	27.3	12

NHS tires are Non-Highway Service Tires. "AT" tires are designed for ATV applications. "NHS" tires are designed for Utility Vehicle applications.

† Indicates mounted diameter and mounted width

\*NOTE: "AT" tires are Star Rated. "NHS" tires are Ply Rated (PR).



## KNOBBY

The Knobby tire offers a unique design available in solid or dimple tread pattern. This tire is ideal for use in the field or around the farm.

SIZE	PRODUCT CODE	STAR/PLY	DIAMETER†	WIDTH†	RIM WIDTH	MAX LOAD @ 50 MPH	MAX PSI	TIRE WEIGHT	TREAD DEPTH (32nds)
AT145/70-6	<b>5150021</b>	1*	14.3	5.3	4.50	99	4	4.9	15
AT16X8-7	<b>5150031</b>	3*	16.5	6.6	5.00	180	7	7.1	15
18X9.50-8 NHS	<b>537005</b>	2 PR	18.3	8.8	7.00	365	10	10.0	15
AT22X11-8 Solid**	<b>537050</b>	3*	22.3	10.5	9.00	395	7	13.7	15
AT25X12-9 Solid**	<b>537081</b>	2*	24.6	11.8	10.00	430	5	17.8	15

NHS tires are Non-Highway Service Tires. "AT" tires are designed for ATV applications. "NHS" tires are designed for Utility Vehicle applications.

† Indicates mounted diameter and mounted width

\*NOTE: "AT" tires are Star Rated. "NHS" tires are Ply Rated (PR).

\*\*NOTE: The AT22x11-8 and AT25x12-9 sizes have a solid Knobby tread, and not the dimpled Knobby tread pattern shown above.



# Trailer

---

## ALL PURPOSE



**RADIAL TRAIL® HD** 34



**SPORT TRAIL®** 35



**SPORT TRAIL® LH** 36



**USA TRAIL®** 37









**BOAT, CARGO, HORSE AND LIVESTOCK, RV, TOWABLE UTILITY, AND SPECIALTY TRAILERS**

**RADIAL TRAIL® HD**

The Radial Trail HD is the latest development in Carlisle branded radial trailer tires. The Radial Trail HD incorporates the latest construction offering industry leading performance for endurance, tread wear and heat resistance for the most difficult environments. The Radial Trail HD will get you and your equipment wherever you want to go safely.

SIZE	PRODUCT CODE	LOAD RANGE	DIAMETER†	WIDTH†	RIM WIDTH	MAX CAPACITY	TIRE PSI*	TREAD DEPTH (32nds)	SPEED RATING
ST175/80R13	<b>6H04511</b>	LRC	24.1	7.0	5.00	1360	50	8	81
ST175/80R13	<b>6H04521</b>	LRD	24.1	7.0	5.00	1570	65	8	81
ST185/80R13	<b>6H04531</b>	LRC	24.7	7.2	5.00	1480	50	8	81
ST185/80R13	<b>6H04541</b>	LRD	24.7	7.2	5.00	1710	65	8	81
ST205/75R14	<b>6H04551</b>	LRC	26.1	7.8	5.50	1760	50	9	81
ST205/75R14	<b>6H04561</b>	LRD	26.1	7.8	5.50	2040	65	9	81
ST215/75R14	<b>6H04571</b>	LRC	26.7	8.3	6.00	1870	50	9	81
ST205/75R15	<b>6H04581</b>	LRC	27.1	7.8	5.50	1820	50	9	81
ST205/75R15	<b>6H04591</b>	LRD	27.1	7.8	5.50	2150	65	9	81
ST225/75R15	<b>6H04601</b>	LRC	28.3	8.6	6.00	2150	50	9	81
ST225/75R15	<b>6H04611</b>	LRD	28.3	8.6	6.00	2540	65	9	81
ST225/75R15	<b>6H04621</b>	LRE	28.1	8.8	6.00	2830	80	9	81
ST235/80R16	<b>6H04631</b>	LRE	30.8	9.0	6.00	3520-S/3080-D	80	10	75
ST235/85R16	<b>6H04641</b>	LRE	31.7	9.3	6.00	3640-S/3200-D	80	12	75
ST235/85R16	<b>6H04651</b>	LRF	31.7	9.3	6.00	3960-S/3520-D	95	12	75

† Indicates mounted diameter and mounted width  
 \*NOTE: Tire PSI shown is the Recommended PSI





BOAT, CARGO, HORSE AND LIVESTOCK, RV, TOWABLE UTILITY, AND SPECIALTY TRAILERS

## SPORT TRAIL®

The Sport Trail tire features a radial look with bias construction. The tread profile and formulation creates lower rolling resistance.

SIZE	PRODUCT CODE	LOAD RANGE	DIAMETER†	WIDTH†	RIM WIDTH	MAX CAPACITY	TIRE PSI*	TREAD DEPTH (32nds)	SPEED RATING
4.80-8	<b>5193171</b>	LRB	16.3	4.7	3.80	585	60	8	62
4.80-8	<b>5193181</b>	LRC	16.3	4.9	3.80	760	90	8	62
5.70-8	<b>5193191</b>	LRB	18.1	5.9	3.80	715	50	10	62
5.70-8	<b>5193201</b>	LRC	18.4	6.0	3.80	910	75	10	62
16.5x6.5-8	<b>5193421</b>	LRB	16.6	6.8	5.40	615	45	7	62
16.5x6.5-8	<b>5193461</b>	LRC	16.5	6.8	5.40	785	70	7	62
16.5x6.5-8	<b>5193481</b>	LRD	16.6	6.8	5.40	910	90	7	62
18.5x8.5-8	<b>5193431</b>	LRB	18.0	8.6	7.00	760	35	10	62
18.5x8.5-8	<b>5193451</b>	LRC	17.9	8.6	7.00	935	50	10	62
20.5x8.0-10	<b>5193441</b>	LRB	20.9	8.0	6.00	910	35	10	62
20.5x8.0-10	<b>5193471</b>	LRC	20.9	8.0	6.00	1100	50	10	62
20.5x8.0-10	<b>5193491</b>	LRD	20.7	8.3	6.00	1320	70	10	62
20.5x8.0-10	<b>5193501</b>	LRE	20.6	8.2	6.00	1520	90	10	62
20.5x8.0-10	<b>5193511</b>	LRF	20.8	8.4	6.00	1650	105	10	62

† Indicates mounted diameter and mounted width

\*NOTE: Tire PSI shown is the Recommended PSI



**BOAT, CARGO, HORSE AND LIVESTOCK, RV, TOWABLE UTILITY, AND SPECIALTY TRAILERS**

**SPORT TRAIL® LH**

Sport Trail LH brings an optimized tread pattern for larger bias trailer tires (>12" rim diameter). The tread and contour were designed to increase endurance, reduce heat build-up and maintain even wear for extended tread life.

SIZE	PRODUCT CODE	LOAD RANGE	DIAMETER†	WIDTH†	RIM WIDTH	MAX CAPACITY	TIRE PSI*	TREAD DEPTH (32nds)	SPEED RATING
4.80-12	<b>6H01291</b>	LRB	20.6	5.0	4.00	785	60	6	87
4.80-12	<b>6H01301</b>	LRC	20.6	5.0	4.00	990	90	6	87
5.30-12	<b>6H01391</b>	LRB	21.6	5.3	4.00	855	55	6	87
5.30-12	<b>6H01381</b>	LRC	21.6	5.3	4.00	1050	90	6	87
ST175/80D13	<b>6H01581</b>	LRB	24.0	6.9	4.50	1100	35	8	87
ST175/80D13	<b>6H01361</b>	LRC	24.0	6.9	4.50	1360	50	8	87
ST185/80D13	<b>6H01371</b>	LRC	24.4	7.1	4.50	1480	50	8	87
ST185/80D13	<b>6H02231</b>	LRD	24.4	7.1	4.50	1710	65	8	87
ST205/75D14	<b>6H01351</b>	LRC	25.8	7.9	5.50	1760	50	8	87
ST215/75D14	<b>6H01421</b>	LRC	26.7	8.4	6.00	1870	50	8	87
ST205/85D14.5	<b>6H01451</b>	LRF	27.8	8.0	6.00	2830-S/2470-D	95	9	87
ST205/75D15	<b>6H01231</b>	LRC	27.1	8.0	5.50	1820	50	8	87
ST205/90D15	<b>6H01441</b>	LRD	29.4	8.0	5.50	2600-S/2270-D	65	12	87
ST225/75D15	<b>6H01401</b>	LRC	28.3	8.6	6.00	2150	50	9	87
ST225/75D15	<b>6H01411</b>	LRD	28.3	8.6	6.00	2540	65	9	87
ST225/90D16	<b>6H01431</b>	LRE	31.8	8.7	6.00	3520-S/3080-D	80	12	87

† Indicates mounted diameter and mounted width  
 \*NOTE: Tire PSI shown is the Recommended PSI



## BOAT, CARGO, HORSE AND LIVESTOCK, RV, TOWABLE UTILITY, AND SPECIALTY TRAILERS

### USA TRAIL®

Made in the U.S.A., the tread compound and tire profile of USA Trail allows for more uniform wear.

SIZE	PRODUCT CODE	LOAD RANGE	DIAMETER†	WIDTH†	RIM WIDTH	MAX CAPACITY	TIRE PSI*	TREAD DEPTH (32nds)	SPEED RATING
4.80-8	<b>519056</b>	LRB	17.1	5.1	3.80	585	60	6	62
4.80-8	<b>519058</b>	LRC	17.4	5.1	3.80	760	90	6	62
5.70-8	<b>519086</b>	LRB	19.2	6.0	3.80	715	50	10	62
5.70-8	<b>519087</b>	LRC	18.8	6.0	3.80	910	75	10	62
5.70-8	<b>519088</b>	LRD	18.9	6.1	3.80	1070	100	10	62
16.5x6.50-8 E4	<b>519297</b>	LRC	16.2	6.6	5.40	785	70	7	62
16.5x6.50-8 E4	<b>519298</b>	LRD	16.3	6.7	5.40	910	90	7	62
18.5x8.50-8	<b>519471</b>	LRB	18.0	8.4	7.00	760	35	10	62
18.5x8.50-8	<b>519472</b>	LRC	17.7	8.5	7.00	935	50	10	62
6.90-9	<b>519572</b>	LRC	22.0	7.1	4.50	1100	60	10	62
20.5x8.00-10	<b>519141</b>	LRB	21.0	8.4	6.00	910	35	10	62
20.5x8.00-10	<b>519142</b>	LRC	20.7	8.5	6.00	1100	50	10	62
20.5x8.00-10	<b>519143</b>	LRD	20.5	8.6	6.00	1320	70	10	62
20.5x8.00-10	<b>519144</b>	LRE	20.9	8.7	6.00	1520	90	10	62
4.80-12	<b>519062</b>	LRB	21.0	5.0	4.00	785	60	8	62
4.80-12	<b>519063</b>	LRC	21.3	5.1	4.00	990	90	8	62
5.30-12	<b>519076</b>	LRB	21.8	5.3	4.00	855	55	8	62
5.30-12	<b>519077</b>	LRC	22.1	5.3	4.00	1050	80	8	87
ST175/80D13	<b>519161</b>	LRC	25.0	6.7	4.50	1360	50	10	65
ST205/75D14	<b>519300</b>	LRC	26.0	8.3	5.50	1760	50	10	65
ST215/75D14	<b>519315</b>	LRC	26.4	8.4	6.00	1870	50	10	65
ST205/75D15	<b>519400</b>	LRC	27.1	8.0	5.50	1820	50	10	65
ST225/75D15	<b>519410</b>	LRC	28.1	8.9	6.00	2150	50	10	65
ST225/75D15	<b>519412</b>	LRD	28.6	9.0	6.00	2540	65	10	65

† Indicates mounted diameter and mounted width  
 \*NOTE: Tire PSI shown is the Recommended PSI



# Agriculture and Construction

## FRONT TRACTOR STEERING



**FARM  
SPECIALIST® F-2** 40



**FARM  
SPECIALIST® F-2M** 40



**FARM  
SPECIALIST® F-3** 41

## IMPLEMENT



**FARM  
SPECIALIST® F-1** 41



**FARM  
SPECIALIST® HF-1** 42



**FARM  
SPECIALIST® I-1** 42



**TRAC CHIEF® I-3** 43

## COMAPCT UTILITY TRACTOR



**FARM  
SPECIALIST® R-1** 44



**FARM  
SPECIALIST® R-1-HA** 44



**TURF PRO R-3  
TURF PRO PLUS R-3** 45



**MULTI TRAC CS R-3** 45



**XTRA GRIP® R-4** 45



**WT300®** 45





SPECIAL APPLICATIONS



USA LOADER® 46



ULTRA GUARD LVT® 46

SKID STEER



TRAC CHIEF®  
TRAC CHIEF® XT 46



GUARD DOG® HD 47



ULTRA GUARD® 47



ULTRA GUARD® MX 48

LARGE DIAMETER



CSL28 48



CSL24 49



CSL45 50



CSL48 50



CSL66 50



FARM SPECIALIST F-2

FARM SPECIALIST F-2M

**FRONT TRACTOR, WAGONS, BALERS, SPREADERS, SEEDERS, AND FEED YARD MIXERS**
**FARM SPECIALIST® F-2 TRIPLE RIB**

Triple rib traction for steering in farm applications.

SIZE	PRODUCT CODE	PLY RATING	DIAMETER†	WIDTH†	RIM WIDTH	ROLLING CIRC.	MAX CAPACITY @ 30 MPH	MAX PSI	TIRE WEIGHT
4.00-15SL (TT)	<b>52F230</b>	4	24.3	4.4	3.00	72.3	585	52	9.2
5.00-15SL (TT)	<b>52F235</b>	4	26.0	5.1	3.00	77.4	715	44	14.3
7.5L-15SL (TT)	<b>52F290</b>	6	29.1	8.0	6.00	87.1	1430	44	27.4
9.5L-15SL (TT)	<b>52F244</b>	8	31.5	9.9	7.00	94.0	1870	48	40.5
9.5L-15SL (TL)	<b>52F344</b>	8	31.5	9.9	7.00	94.0	1870	48	44.3
11L-15SL (TL)	<b>52F318</b>	8	32.0	11.0	8.00	96.1	2090	44	53.5
5.50-16SL (TT)	<b>52F239</b>	6	28.0	5.9	4.00	83.5	1050	56	17.8
6.00-16SL (TT)	<b>52F275</b>	6	29.1	6.2	4.00	86.8	1140	52	19.8
6.50-16SL (TT)	<b>52F281</b>	6	29.8	7.3	4.50	88.9	1230	48	22.6
7.50-16SL (TT)	<b>52F283</b>	6	31.8	7.9	5.50	94.0	1480	44	28.7
11.00-16SL (TT)	<b>52F295</b>	8	37.9	13.1	10.00	111.4	2600	40	76.7
10.00-16SL (TT)	<b>52F298</b>	8	34.9	11.0	8.00	103.4	2340	44	48.0
6.00-16SL (TL)	<b>52F375</b>	6	29.1	6.2	4.00	86.8	1140	52	23.1
7.50-16 SL (TL)	<b>52F383</b>	6	31.8	7.9	5.50	94.0	1480	44	34.1
7.50-16SL (TL)	<b>52F384</b>	8	31.8	7.9	5.50	94.0	1710	56	33.0
11.00-16SL (TL)	<b>52F395</b>	8	37.9	13.1	10.00	111.4	2340	40	76.7
10.00-16SL (TL)	<b>52F398</b>	8	34.9	11.0	8.00	103.4	2340	44	52.5
4.00-19SL (TT)	<b>52F233</b>	4	28.2	4.4	3.00	85.2	715	52	12.0
16.5L-16.1 (TL)	<b>561854</b>	10	40.5	16.6	14.00	120.2	5200	36	83.0

(TT) indicates a tube-type tire. (TL) indicates a tubeless tires. These tires are not for highway use.

\*NHS\* tires are Non-Highway Service tires.

† Indicates mounted diameter and mounted width

**FARM SPECIALIST® F-2M QUAD RIB**

Quad rib traction for steering in farm applications.

SIZE	PRODUCT CODE	PLY RATING	DIAMETER†	WIDTH†	RIM WIDTH	ROLLING CIRC.	MAX CAPACITY @ 30 MPH	MAX PSI	TIRE WEIGHT
11L-15SL (TT)	<b>53F218</b>	8	32.0	10.5	8.00	96.1	2090	44	43.2
10.00-16SL (TT)	<b>53F298</b>	8	35.0	10.8	8.00	105.1	2340	44	49.7
11.00-16SL (TL)	<b>53F395</b>	8	37.2	13.1	10.00	111.4	2600	40	77.1
10.00-16SL F-2M (TL)	<b>53F398</b>	8	35.0	10.8	8.00	105.1	2340	44	65.2

(TT) indicates a tube-type tire. (TL) indicates a tubeless tires. These tires are not for highway use.

† Indicates mounted diameter and mounted width





FRONT TRACTOR, WAGONS, BALERS, SPREADERS, SEEDERS, AND FEED YARD MIXERS

**FARM SPECIALIST® F-3 INDUSTRIAL FRONT**

Durable industrial rib design and wider profile offer enhanced traction for front backhoe loaders.

SIZE	PRODUCT CODE	PLY RATING	DIAMETER†	WIDTH†	RIM WIDTH	ROLLING CIRC.	MAX CAPACITY @ 25 MPH	MAX PSI	TIRE WEIGHT
11L-16SL (TL)	<b>565315</b>	10	33.0	11.0	8.00	97.9	2470	52	55.2
11L-16SL (TL)	<b>565317</b>	12	33.0	11.0	8.00	97.9	2760	64	54.3

These tires are not for highway use.

† Indicates mounted diameter and mounted width



**FARM SPECIALIST® F-I HIGHWAY SERVICE IMPLEMENT**

Highway service implement tire specially designed for towed vehicle applications at intermittent highway speeds. DOT approved for highway use.

SIZE	PRODUCT CODE	PLY RATING	DIAMETER†	WIDTH†	RIM WIDTH	ROLLING CIRC.	MAX CAPACITY @ 60 MPH	MAX PSI	TIRE WEIGHT
9.5L-15 (TL)	<b>51H359</b>	D	30.2	9.5	7.00	89.6	2680	60	38.9
9.5L-15 (TL)	<b>51H360</b>	E	30.2	9.5	7.00	89.6	3080	75	43.4
10.00-15 (TL)	<b>51H361</b>	D	33.5	11.0	8.00	100.0	3960	60	52.3
11L-15 (TL)	<b>51H386</b>	D	30.6	11.0	8.00	90.7	3080	60	47.8
11L-15 (TL)	<b>51H392</b>	F	30.6	11.0	8.00	90.7	3960	90	55.0
12.5L-15 (TL)	<b>51H3B2</b>	C	32.4	12.5	10.00	96.0	3740	60	52.7
12.5L-15 (TL)	<b>51H387</b>	F	32.4	12.9	10.00	96.0	4680	90	74.7
13.50 -15 (TL)	<b>570124</b>	D	31.8	13.6	10.00	95.9	2680	30	61.0

(TT) indicates a tube-type tire. (TL) indicates a tubeless tires. These tires are not for highway use.

† Indicates mounted diameter and mounted width



FARM SPECIALIST HF-1

FARM SPECIALIST I-1

**FRONT TRACTOR, WAGONS, BALERS, SPREADERS, SEEDERS, AND FEED YARD MIXERS**
**FARM SPECIALIST® HF-1 IMPLEMENT**

Tough compound used for higher performance on wagons, tankers, seeders, balers and other floatation devices.

SIZE	PRODUCT CODE	PLY RATING	DIAMETER†	WIDTH†	RIM WIDTH	ROLLING CIRC.	MAX CAPACITY @ 30 MPH	MAX PSI	TIRE WEIGHT
25x7.50 -15 NHS (TL)	<b>51F378</b>	6	25.2	7.5	5.50	73.3	1230	45	22.2
27x9.50 -15 NHS (TL)	<b>51F395</b>	6	27.0	9.6	7.00	79.2	1610	45	29.0
31x13.50 -15 NHS (TL)	<b>51F396</b>	6	31.8	13.5	10.00	94.0	2090	30	49.1
31x13.50-15 NHS (TL)	<b>51F397</b>	8	31.8	13.8	10.00	94.2	2620	45	59.0
31x13.50-15 NHS (TL)	<b>51F307</b>	10	31.8	14.0	10.00	94.2	3080	60	57.9
31x13.50-15 NHS (TL)	<b>570060</b>	12	32.1	14.5	10.00	95.4	3520	75	66.0

(TT) indicates a tube-type tire. (TL) indicates a tubeless tires. These tires are not for highway use.

† Indicates mounted diameter and mounted width

**FARM SPECIALIST® I-1 IMPLEMENT**

Multi-rib tire design for floatation on farm implements, wagons, tanks, carts and other pull behind vehicles

SIZE	PRODUCT CODE	PLY RATING	DIAMETER†	WIDTH†	RIM WIDTH	ROLLING CIRC.	MAX CAPACITY @ 30 MPH	MAX PSI	TIRE WEIGHT
4.00-9SL (TT)	<b>518249</b>	4	17.4	4.8	3.00	51.6	550	44	6.1
4.00-12SL (TT)	<b>518277</b>	4	20.4	5.0	3.00	60.5	675	44	7.1
26x12.00-12NHS (TL)	<b>510361</b>	4	25.5	11.7	10.50	75.7	1780	20	26.5
26x12.00-12NHS (TL)	<b>510363</b>	10	25.5	11.7	10.50	75.7	3110	52	28.9
26x12.00-12NHS (TL)	<b>560474</b>	12	25.5	11.7	10.50	75.7	3460	62	33.0
9.5L-14SL (TL)	<b>51F399</b>	8	29.4	9.2	7.00	87.0	2400	44	29.7
9.5L-14SL (TT)	<b>51F299</b>	8	29.4	9.2	7.00	87.0	2400	44	25.6
11L-14SL (TL)	<b>51F391</b>	8	29.6	10.6	8.00	87.7	2470	36	32.5
5.00-15SL (TT)	<b>51F235</b>	4	25.2	5.4	4.00	74.7	950	36	12.0
5.90-15SL (TT)	<b>51F252</b>	4	26.3	6.3	4.50	77.9	1140	36	13.5
6.70-15SL (TL)	<b>51F367</b>	4	27.7	7.1	4.50	81.5	1280	32	18.4
6.70-15SL (TL)	<b>51F388</b>	6	28.2	7.2	4.50	83.7	1610	44	16.9
7.60-15SL (TT)	<b>51F237</b>	8	28.7	7.9	5.50	84.4	2090	52	23.5
7.60-15SL (TL)	<b>51F337</b>	8	28.7	7.9	5.50	85.0	2090	52	27.9
9.5L-15SL (TT)	<b>51F244</b>	8	29.9	9.2	7.00	88.5	2470	44	26.2
9.5L-15SL (TL)	<b>51F344</b>	8	29.9	9.2	7.00	88.5	2470	44	27.3
9.5L-15SL (TL)	<b>51F3D7</b>	12	29.9	9.2	7.00	88.5	3000	64	30.1
10.00-15SL (TL)	<b>51F385</b>	8	33.4	11.0	8.00	98.6	3200	40	46.7
11L-15SL (TT)	<b>51F218</b>	8	30.6	11.0	8.00	90.6	2540	36	28.1





TRAC CHIEF I-3

FRONT TRACTOR, WAGONS, BALERS, SPREADERS, SEEDERS, AND FEED YARD MIXERS

**FARM SPECIALIST® I-1 IMPLEMENT (Continued)**

Multi-rib tire design for floatation on farm implements, wagons, tanks, carts and other pull behind vehicles

SIZE	PRODUCT CODE	PLY RATING	DIAMETER†	WIDTH†	RIM WIDTH	ROLLING CIRC.	MAX CAPACITY @ 30 MPH	MAX PSI	TIRE WEIGHT
11L-15SL (TL)	<b>51F318</b>	8	30.6	11.7	8.00	90.6	2540	36	32.7
11L-15SL (TL)	<b>51F317</b>	12	30.6	10.7	8.00	90.6	3200	52	41.6
12.5L-15SL (TT)	<b>51F240</b>	8	32.6	12.1	10.00	96.5	3000	36	53.5
12.5L-15SL (TL)	<b>51F340</b>	8	32.6	12.1	10.00	96.5	3000	36	53.5
12.5L-15SL (TT)	<b>51F241</b>	10	32.6	12.1	10.00	96.5	3420	44	47.5
12.5L-15SL (TL)	<b>51F341</b>	10	32.6	12.1	10.00	96.5	3420	44	53.5
12.5L-15SL (TL)	<b>51F305</b>	12	32.6	12.1	10.00	96.5	3860	52	59.2
12.5L-16SL (TL)	<b>51F353</b>	14	33.4	12.5	10.00	99.0	4180	56	53.5
14L-16.1SL (TL)	<b>510131</b>	8	37.0	14.4	11.00	108.5	3520	28	68.9
16.5L-16.10SL (TL)	<b>51F350</b>	10	40.8	17.1	14.00	117.5	5200	36	101.0
18L-16.1SL (TL)*	<b>510130</b>	10	32.5	17.0	14.00	95.2	4180	32	72.0
19L - 16.1SL (TL)	<b>510137</b>	12	42.4	19.0	16.00	125.8	6600	36	110.0
21.5L - 16.1SL (TL)	<b>510135</b>	10	44.5	21.5	18.00	132.1	6600	28	114.0
21.5L - 16.1SL (TL)	<b>510136</b>	14	44.5	21.5	18.00	132.1	7850	36	136.0
32x15.5-16.5SL (TL)	<b>6A0086</b>	14	32.2	15.6	16.50	97.4	5840**	90	87.5

(TT) indicates a tube-type tire. (TL) indicates a tubeless tires. These tires are not for highway use.  
 † Indicates mounted diameter and mounted width \* NOTE: 18L - 16.1SL I-1 is a 7 Rib Design. \*\* NOTE: 32 x 15.5-16.5SL I-1 is rated at 25 mph.

**TRAC CHIEF® I-3**

Traction for implement and backhoes while in service

SIZE	PRODUCT CODE	PLY RATING	DIAMETER†	WIDTH†	RIM WIDTH	ROLLING CIRC.	MAX CAPACITY @ 5 MPH	MAX PSI	TIRE WEIGHT
12.4-16 (TL)	<b>570122</b>	6	37.2	12.9	11.00	108.1	2340	30	79.5
10.5/80-18 (TL)*	<b>*570120</b>	10	35.6	10.8	9.00	105.5	3840	54	70.4
12.5/80-18 (TL)*	<b>*570121</b>	12	38.5	12.5	9.00	114.6	5360	55	96.0

(TT) indicates a tube-type tire. (TL) indicates a tubeless tires. These tires are not for highway use.  
 † Indicates mounted diameter and mounted width \*NOTE: With mud breakers between shoulders





FARM SPECIALIST R-1

FARM SPECIALIST R-1-HA

**FRONT TRACTOR, WAGONS, BALERS, SPREADERS, SEEDERS, AND FEED YARD MIXERS**
**FARM SPECIALIST® R-1**

This versatile tractor tire with multi-angle long bar tread design offers maximum performance in a multitude of soil conditions.

SIZE	PRODUCT CODE	PLY RATING	DIAMETER†	WIDTH†	RIM WIDTH	ROLLING CIRC.	MAX CAPACITY @ 25 MPH	MAX PSI	TIRE WEIGHT
6-12 (TL)	<b>570030</b>	6	23.0	6.1	5.00	68.9	735	40	18.1
7-14 (TL)	<b>570000</b>	6	27.1	7.4	6.00	80.5	990	36	26.9
7-16 (TL)	<b>570001</b>	6	29.1	8.1	6.00	86.8	1100	36	33.8
8-16 (TL)	<b>570002</b>	6	31.4	8.4	6.00	92.5	1360	28	40.2
9.5-16 (TL)	<b>570003</b>	6	33.5	10.0	8.00	98.1	1390	30	53.0
8.3-24 (TL)	<b>570004</b>	6	39.1	8.3	7.00	117.2	1610	34	65.8
9.5-24 (TL)	<b>570005</b>	6	41.3	9.5	8.00	123.2	1870	30	79.3
11.2-24 (TL)	<b>570006</b>	6	43.4	11.2	10.00	129.1	2090	26	89.2
12.4-24 (TL)	<b>570007</b>	4	45.6	12.4	11.00	135.1	1870	16	95.8
12.4-24 (TL)	<b>570008</b>	8	45.6	12.4	11.00	135.1	2830	32	114.7
13.6-24 (TL)	<b>570009</b>	6	47.6	13.6	12.00	140.7	2680	22	113.8
14.9-24 (TL)	<b>6A0429</b>	6	49.5	14.8	13.00	145.4	3000	20	137.0
14.9-24 (TL)	<b>6A0365</b>	8	49.6	14.4	13.00	145.7	3520	26	136.0

(TT) indicates a tube-type tire. (TL) indicates a tubeless tires. These tires are not for highway use.

† Indicates mounted diameter and mounted width

**FARM SPECIALIST® R-1-HA**

The Farm Specialist R-1-HA, with a long bar tread design, features a 45 degree angle that offers maximum performance in a multitude of soil conditions.

SIZE	PRODUCT CODE	PLY RATING	DIAMETER†	WIDTH†	RIM WIDTH	ROLLING CIRC.	MAX CAPACITY @ 25 MPH	MAX PSI	TIRE WEIGHT
9.5-24 (TL)	<b>570034</b>	6	41.3	9.5	8.00	123.2	1870	30	67.9
11.2-24 (TL)	<b>570035</b>	6	43.4	11.2	10.00	129.1	2090	26	89.2

(TT) indicates a tube-type tire. (TL) indicates a tubeless tires. These tires are not for highway use.

† Indicates mounted diameter and mounted width



TURF PRO R-3

MULTI TRAC CS R-3

XTRA GRIP R-4

WT300

### TURF PRO R-3 / TURF PRO PLUS R-3

These tires provide turf-friendly design for onsite damage resistance in mowing applications.

SIZE	PRODUCT CODE	PLY RATING	DIAMETER†	WIDTH†	RIM WIDTH	ROLLING CIRC.	MAX CAPACITY @ 25 MPH	MAX PSI	TIRE WEIGHT
31x15.5-15 (TL)**	<b>560589</b>	8	30.3	14.2	13.00	90.4	2760*	45	58.5
13.6-16 (TL)	<b>570080</b>	4	38.2	16.0	12.00	112.8	1570	14	82.3
9.5-24 (TL)	<b>570084</b>	6	40.3	9.5	8.00	120.5	1870	30	59.0
11.2-24 (TL)	<b>570085</b>	6	42.4	11.2	10.00	126.3	2080	26	82.2

(TT) indicates a tube-type tire. (TL) indicates a tubeless tires. These tires are not for highway use.

† Indicates mounted diameter and mounted width \*NOTE: 31x15.5-15 Turf Pro Plus R3 has a max capacity at 30 mph. \*\*Turf Pro Plus

### MULTI TRAC CS R-3

This tire offers flotation with minimal ground disturbance for turf and mowing applications

SIZE	PRODUCT CODE	PLY RATING	DIAMETER†	WIDTH†	RIM WIDTH	ROLLING CIRC.	MAX CAPACITY @ 30 MPH	MAX PSI	TIRE WEIGHT
36x14.00-15 (TL)	<b>560361</b>	4	36.0	14	10.00	105.2	2600	20	59.0
41x14.00-20 (TL)	<b>570083</b>	4	42.0	14.8	11.00	125.6	3080	26	101.2
44x18-20 (TL)	<b>6A0376</b>	4	44.8	18.5	14.00	132.3	3420	20	135.0
44x18-20 (TL)	<b>6A0375</b>	6	44.8	18.5	14.00	132.3	4300	30	135.0

(TT) indicates a tube-type tire. (TL) indicates a tubeless tires. These tires are not for highway use. † Indicates mounted diameter and mounted width

### XTRA GRIP® R-4

For industrial traction use.

SIZE	PRODUCT CODE	PLY RATING	DIAMETER†	WIDTH†	RIM WIDTH	ROLLING CIRC.	MAX CAPACITY @ 25 MPH	MAX PSI	TIRE WEIGHT
43x16.00-20 (TL)	<b>570059</b>	6	43.0	16.8	14.00	126.4	3720	30	116.9
16.9-24 (TL)	<b>6A0366</b>	6	50.5	17.3	15.00	147.9	4940	22	156.0
16.9-24 (TL)	<b>6A0363</b>	8	50.5	17.3	15.00	147.9	5840	28	156.0
17.5L-24 (TL)	<b>6A0428</b>	6	48.3	17.6	15.00	141.6	4400	20	153.0
17.5L-24 (TL)	<b>6A0364</b>	8	48.3	17.6	15.00	142.3	5360	26	153.0

(TT) indicates a tube-type tire. (TL) indicates a tubeless tires. These tires are not for highway use. † Indicates mounted diameter and mounted width

### WT300®

Turf-friendly tread design for tractors with less than 30HP.

SIZE	PRODUCT CODE	PLY RATING	DIAMETER†	WIDTH†	RIM WIDTH	ROLLING CIRC.	MAX CAPACITY @ 10 MPH	MAX PSI	TIRE WEIGHT
18x8.50-10 NHS (TL)	<b>570046</b>	4	18.3	8.1	6.00	54.8	830	22	12.3
26x12.00-12 NHS (TL)	<b>570042</b>	4	25.7	12.4	9.50	76.2	1780	20	28.2

(TT) indicates a tube-type tire. (TL) indicates a tubeless tires. These tires are not for highway use. † Indicates mounted diameter and mounted width



USA LOADER

ULTRA GUARD LVT

**GENERAL DUTY SKID STEER AND COMPACT TRACTOR APPLICATIONS**
**USA LOADER®**

Tire designed for specialty applications where safety and stability are critical.

SIZE	PRODUCT CODE	PLY RATING	DIAMETER*	WIDTH*	RIM WIDTH	ROLLING CIRC.	MAX CAPACITY @ 5 MPH	MAX PSI	TIRE WEIGHT	TREAD DEPTH (32nds)
10-16.50NHS (TL)	<b>510713</b>	10	30.9	10.6	8.25	92.6	4720	75	59.3	26
12-16.50NHS (TL)	<b>510716</b>	10	32.9	12.6	9.75	98.5	5600	65	76.4	27
305/70D16.5NHS (TL)	<b>6A0170</b>	10	32.9	12.6	9.75	98.5	5600	65	77.2	27

\*NHS\* tires are Non-Highway Service tires. † Indicates mounted diameter and mounted width

**ULTRA GUARD LVT®**

Hard surface severe service skid steer – Low tread void for maximum net ground contact, massive footprint and extra premium chip/chunk resistant tread rubber.

SIZE	PRODUCT CODE	PLY RATING	DIAMETER*	WIDTH*	RIM WIDTH	ROLLING CIRC.	MAX CAPACITY @ 5 MPH	MAX PSI	TIRE WEIGHT	TREAD DEPTH (32nds)
10-16.5NHS (TL)	<b>570075</b>	10	31.4	10.9	8.25	92.4	4710	75	90.0	44
12-16.5NHS (TL)	<b>570076</b>	14	32.9	13.1	9.75	99.0	6780	90	112.0	44
14-17.5NHS (TL)	<b>570077</b>	14	36.3	13.8	10.50	109.0	8540	80	132.0	44

\*NHS\* tires are Non-Highway Service tires. † Indicates mounted diameter and mounted width

**TRAC CHIEF®/ TRAC CHIEF® XT**

With a rugged tread compound and flat profile for increased traction and stability, the Trac Chief/Trac Chief XT tires are used for general duty skid steer and compact tractor applications.

SIZE	PRODUCT CODE	PLY RATING	DIAMETER*	WIDTH*	RIM WIDTH	ROLLING CIRC.	MAX CAPACITY @ 5 MPH	MAX PSI	TIRE WEIGHT	TREAD DEPTH (32nds)
18x8.50-10NHS (TL)	<b>51S311</b>	4	18.2	8.0	7.00	54.9	830	22	14.9	16
20x8.00-10NHS (TL)	<b>560483</b>	4	19.3	8.2	7.00	57.1	1210	35	17.5	16
5.70-12NHS (TL)	<b>51S3C2</b>	4	22.4	5.7	4.50	67.4	1450	60	15.6	17
23x8.50-12SS (TL)	<b>51S3C3</b>	4	23.0	8.0	7.00	68.9	1470	35	22.2	14
23x8.50-12SS (TL)	<b>51S3G8</b>	6	22.6	8.4	7.00	68.9	1820	50	26.1	26
26x12.00-12NHS (TL)	<b>51S361</b>	4	25.5	12.4	10.50	76.4	1780	20	38.3	21
26x12.00-12SS (TL)	<b>6A0282</b>	8	25.5	12.4	10.50	77.2	3020	50	47.0	21
23x8.50-14NHS (TL)	<b>51S388</b>	4	23.0	8.0	7.00	69.2	1560	35	22.6	17
25x8.50-14SS (TL)	<b>51S379</b>	6	25.8	8.4	7.00	77.1	2130	50	30.2	17
27x12.5-15NHS (TL)	<b>560484</b>	4	28.0	12	10.00	83.1	2030	20	41.0	19

These tires are not for highway use. † Indicates mounted diameter and mounted width

\*NOTE: Tire sizes shown with the asterisk are Trac Chief XT (XT) tread pattern, used for heavier loads.





TRAC CHIEF

TRAC CHIEF XT

GUARD DOG HD

ULTRA GUARD

**TRAC CHIEF®/ TRAC CHIEF® XT (Continued)**

SIZE	PRODUCT CODE	PLY RATING	DIAMETER*	WIDTH*	RIM WIDTH	ROLLING CIRC.	MAX CAPACITY @ 5 MPH	MAX PSI	TIRE WEIGHT	TREAD DEPTH (32nds)
27x8.50-15SS (TL)	<b>51S339</b>	6	26.7	9.0	7.00	79.8	2400	50	37.0	17
27x10.50-15SS (TL)	<b>51S3H7</b>	6	26.8	10.4	8.50	80.1	2610	45	36.2	17
27x10.50-15SS (TL)	<b>560369</b>	8	27.2	10.2	8.50	81.3	3740	60	41.3	17
28x8.5-15NHS (TL)	<b>570139</b>	6	28.3	8.8	7.00	83.6	1870	45	32.2	16
10-16.50NHS (TL)	<b>51S3C8</b>	6	30.5	10.7	8.25	87.9	3500	45	45.3	19
10-16.50NHS (TL)	<b>51S3D1</b>	8	30.5	10.7	8.25	92.1	4140	60	45.4	19
10-16.5 NHS (TL) XT*	<b>570140</b>	10	30.6	10.8	8.25	90.3	4710	75	49.0	21
12-16.50NHS (TL)	<b>51S3C9</b>	6	32.8	12.1	9.75	99.7	4220	40	57.0	23
12-16.5NHS (TL)	<b>51S3J7</b>	10	32.8	12.1	9.75	99.7	5600	65	63.5	23
12-16.5 NHS (TL) XT*	<b>570141</b>	12	32.8	12.5	9.75	95.6	6320	80	69.0	23
14-17.5NHS (TL)	<b>510027</b>	6	35.7	13.7	10.50	109.5	4820	30	83.0	25
14-17.5NHS (TL)	<b>6A0284</b>	10	36.2	13.7	10.50	107.3	6800	55	84.5	25
14-17.5NHS (TL)	<b>510039</b>	14	36.1	14.1	10.50	109.5	8540	80	84.5	25
15-19.5NHS (TL)	<b>511729</b>	6	40.0	15.6	12.25	119.1	6130	30	105.0	26
15-19.5NHS (TL)	<b>510024</b>	12	39.7	16.2	12.25	117.2	9190	60	116.0	26
15x19.5NHS (TL)	<b>511702</b>	14	39.7	16.2	12.25	117.2	10060	70	138.0	26
385/65D19.5 (TL)	<b>511703</b>	16	40.1	16.3	12.30	118.9	11000	95	116.0	25

These tires are not for highway use. † Indicates mounted diameter and mounted width \*NOTE: Tire sizes shown with the asterisk are Trac Chief XT (XT) tread pattern, used for heavier loads.

**GUARD DOG® HD**

Heavy Duty skid steer – Increased puncture resistance and greater tread depth.

SIZE	PRODUCT CODE	PLY RATING	DIAMETER*	WIDTH*	RIM WIDTH	ROLLING CIRC.	MAX CAPACITY @ 5 MPH	MAX PSI	TIRE WEIGHT	TREAD DEPTH (32nds)
33x15.50-16.5 (TL)	<b>570031</b>	10	30.9	10.3	8.30	90.3	4710	75	56.6	26
10-16.5NHS (TL)	<b>570130</b>	12	32.7	12.1	9.80	95.6	6320	80	85.0	28
12-16.5NHS (TL)	<b>570131</b>	12	32.8	14.4	12.00	97.3	6835	60	97.0	28

\*NHS" tires are Non-Highway Service tires. † Indicates mounted diameter and mounted width

**ULTRA GUARD®**

Severe service skid steer – Open shoulder design for super rugged fitments on abrasive surface conditions.

SIZE	PRODUCT CODE	PLY RATING	DIAMETER*	WIDTH*	RIM WIDTH	ROLLING CIRC.	MAX CAPACITY @ 5 MPH	MAX PSI	TIRE WEIGHT	TREAD DEPTH (32nds)
10x16.5NHS (TL)	<b>560402</b>	10	30.4	10.4	8.25	92.4	4710	75	79.3	44
12x16.5NHS (TL)	<b>560403</b>	12	32.7	12.1	9.75	99.0	6320	80	99.6	44

\*NHS" tires are Non-Highway Service tires. † Indicates mounted diameter and mounted width



ULTRA GUARD MX

## ULTRA GUARD® MX

Heavy duty skid steer – reinforced sidewall increase puncture resistance and rim guard protects against damage from worksite debris.

SIZE	PRODUCT CODE	PLY RATING	DIAMETER*	WIDTH*	RIM WIDTH	ROLLING CIRC.	MAX CAPACITY @ 5 MPH	MAX PSI	TIRE WEIGHT	TREAD DEPTH (32nds)
10-16.5 NHS (TL)	<b>6A0325</b>	10	31.5	11.0	8.25	92.2	4710	75	73.0	42
12-16.5 NHS (TL)	<b>6A0326</b>	14	32.7	13.0	9.75	95.9	6780	90	100.0	42
14-17.5 NHS (TL)	<b>6A0327</b>	14	36.3	14.4	10.50	106.2	8540	80	117.0	42

These tires are not for highway use.

† Indicates mounted diameter and mounted width



## HEAVY DUTY, LARGE TRACTOR APPLICATIONS

### LARGE DIAMETER (CSL 28 Radial Tire)

The CSL 28 tread pattern is a line of R1 radial tires with rim diameters ranging from a 20" to 38". The radial construction of these tires will deliver the traction and smooth ride for farmers to increase their efficiency in the field.

CARLISLE LINE	SIZE PLATE	SKU	SPEED RATING	PRIMARY LOAD RATING			SW (IN)	OD (IN)	TREAD DEPTH (AT CENTER) 32NDS	ROLLING CIRCUMFERENCE (INCHES)	STATIC LOAD RADIUS (INCHES)
				LOAD INDEX	LOAD CAPACITY (LBS)	PRESSURE (PSI)					
CSL28	9.5 R 20	<b>6A05652</b>	A8	<b>108</b>	<b>2200</b>	<b>23</b>	9.49	36.93	42	111	16.6
CSL28	280 / 85 R 24	<b>6A05662</b>	A8	<b>115</b>	<b>2680</b>	<b>23</b>	11.10	42.76	49	128	19.2
CSL28	340 / 85 R 24	<b>6A05672</b>	A8	<b>125</b>	<b>3640</b>	<b>23</b>	13.50	46.77	54	140	21.0
CSL28	380 / 85 R 24	<b>6A05722</b>	A8	<b>131</b>	<b>4300</b>	<b>23</b>	14.96	49.45	55	147	22.1
CSL28	380 / 85 R 28	<b>6A05702</b>	A8	<b>133</b>	<b>4540</b>	<b>23</b>	14.96	53.43	55	160	24.0
CSL28	420 / 85 R 28	<b>6A05712</b>	A8	<b>139</b>	<b>5360</b>	<b>23</b>	16.46	56.10	58	168	25.1
CSL28	380 / 85 R 30	<b>6A06532</b>	A8	<b>135</b>	<b>4800</b>	<b>23</b>	14.96	55.43	55	166	24.9
CSL28	420 / 85 R 30	<b>6A05692</b>	A8	<b>140</b>	<b>5520</b>	<b>23</b>	16.46	58.11	60	174	26.1
CSL28	460 / 85 R 30	<b>6A05732</b>	A8	<b>145</b>	<b>6400</b>	<b>23</b>	17.91	60.79	66	181	27.2
CSL28	460 / 85 R 34	<b>6A05742</b>	A8	<b>147</b>	<b>6800</b>	<b>23</b>	17.91	64.80	66	194	29.1
CSL28	520/85 R 38	<b>6A05792</b>	A8	<b>155</b>	<b>8550</b>	<b>23</b>	20.31	72.80	69	218	32.7
CSL28	460/85 R 38	<b>6A06582</b>	A8	<b>149</b>	<b>7150</b>	<b>23</b>	17.91	68.78	66	206	30.9

"NHS" tires are Non-Highway Service tires. \*Not for highway use.



**HEAVY DUTY, LARGE TRACTOR APPLICATIONS**

**LARGE DIAMETER (Bias Tires)**

The CSL Series is The Carlstar Group's new line of large diameter tires for the Agriculture market. The new line expands the Carlisle branded tire portfolio by introducing five new tread patterns with bead diameters ranging from 16 inches to 38 inches.



CSL24

CSL45

CSL48

CSL66

CARLISLE LINE	SIZE PLATE	SKU	PLY	PRIMARY LOAD RATING			SW (IN)	OD (IN)	TREAD DEPTH (AT CENTER) 32NDS	ROLLING CIRCUMFERENCE (INCHES)	STATIC LOAD RADIUS (INCHES)
				LOAD INDEX	LOAD CAPACITY (LBS)	PRESSURE (PSI)					
CSL24	14.9-30	6A06202	8	127	3860	26	14.88	55.71	47	166	24.9
CSL24	14.9-30	6A06332	10	131	4300	32	14.88	55.71	47	166	24.9
CSL24	15.5-38	6A06162	8	129	4080	26	15.51	61.81	47	184	27.7
CSL24	16.9-28	6A06172	8	131	4300	24	16.89	56.50	48	168	25.3
CSL24	16.9-28	6A06182	10	134	4680	28	16.89	56.50	48	168	25.3
CSL24	16.9-30	6A06222	8	132	4400	24	16.89	58.46	48	174	26.1
CSL24	16.9-30	6A06432	10	136	4940	28	16.89	58.46	48	174	26.1
CSL24	16.9-34	6A06262	8	134	4680	24	16.89	62.40	44	186	27.9
CSL24	16.9-34	6A06272	10	138	5200	28	16.89	62.40	44	186	27.9
CSL24	16.9-38	6A06352	8	136	4940	24	16.89	66.34	48	198	29.6
CSL24	18.4-26	6A06072	10	138	5200	26	18.39	57.52	47	171	25.7
CSL24	18.4-30	6A06232	8	135	4800	20	18.39	61.02	47	182	27.2
CSL24	18.4-30	6A06242	10	140	5520	26	18.39	61.02	47	182	27.2
CSL24	18.4-34	6A06282	10	143	6000	26	18.39	64.96	47	193	29.0
CSL24	18.4-38	6A06362	10	145	6400	26	18.39	68.90	48	205	30.8
CSL24	18.4-38	6A06372	14	151	7600	36	18.39	68.90	48	205	30.8
CSL24	23.1-26	6A06382	14	152	7850	28	23.11	63.19	55	187	28.1
CSL24	8.3-24	6A05912	6	96	1570	34	8.27	39.72	31	119	17.8
CSL24	9.5-24	6A05932	6	102	1870	30	9.49	41.34	34	124	18.5

"NHS" tires are Non-Highway Service tires.




**HEAVY DUTY, LARGE TRACTOR APPLICATIONS**
**LARGE DIAMETER (Continued)**

CARLISLE LINE	SIZE PLATE	SKU	PLY	PRIMARY LOAD RATING			SW (IN)	OD (IN)	TREAD DEPTH (AT CENTER) 32NDS	ROLLING CIRCUMFERENCE (INCHES)	STATIC LOAD RADIUS (INCHES)
				LOAD INDEX	LOAD CAPACITY (LBS)	PRESSURE (PSI)					
CSL45	10-16.5	6A06482	12	138	5240	90	11.10	30.51	38	92	13.8
CSL45	12-16.5	6A06492	14	148	6780	90	12.60	33.31	43	100	15.0
CSL48	23.1-26	6A06472	14	152	7850	28	23.11	62.20	35	184	27.6
CSL32	16.9-30	6A06502	8	137	4400	24	16.89	58.46	48	174	26.1
CSL32	15.5-38	6A06512	8	133	4080	26	15.51	61.81	47	184	27.7
CSL32	16.9-38	6A06522	8	141	4940	24	16.89	66.34	48	198	29.6
CSL66	13.00-24 TG*	6A06602	16	149	7150	58	13.19	50.39	29	149	22.4
CSL66	14.00-24 TG*	6A06612	16	153	8050	51	15.04	53.31	31	158	23.7

\*NHS" tires are Non-Highway Service tires. \*Not for highway use.





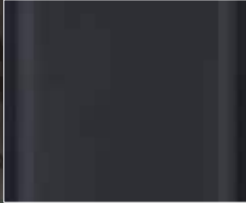
# Industrial

---

ALL PURPOSE



**INDUSTRIAL  
DEEP TRACTION** 54



**ROAD  
ROLLER** 54



**INDUSTRIAL  
ALL PURPOSE** 54



**PREMIUM  
WIDE TRAC** 55



**GROUND FORCE®  
ULTRA RIB** 55








*INDUSTRIAL DEEP TRACTION*
*ROAD ROLLER*
*INDUSTRIAL ALL PURPOSE*
**MATERIAL HANDLING, MINING, COMPACTION AND ROAD PAVING EQUIPMENT**
**INDUSTRIAL DEEP TRACTION**

Standard duty forklift tire with reinforced bead area.

SIZE	PRODUCT CODE	PLY RATING	DIAMETER†	WIDTH†	RIM WIDTH	MAX CAPACITY @ 10 MPH	MAX PSI	TIRE WEIGHT	TREAD DEPTH (32nds)
5.70/5.00-8NHS (TT)	<b>60126</b>	8	18.2	5.5	4.5/3.0	1830*	115	11.9	9
6.90/6.00-9NHS (TT)	<b>60101</b>	10	21.9	6.9	5.5/4.0	3715	125	20.3	19
6.50-10NHS (TT)	<b>60105</b>	10	23.4	7.4	5.00	4225	115	25.4	20
7.00-12NHS (TT)	<b>60102</b>	12	27.4	7.8	5.00	5995	125	36.8	21
8.25-15NHS (TT)	<b>60104</b>	12	33.6	9.8	6.50	8680	105	59.4	23
29x8.00-15NHS (TT)	<b>60103</b>	12	29.2	7.5	5.50	6870	125	47.9	25

\*NHS™ tires are Non-Highway Service tires. Flap is included for these tube type (TT) tires. Unless otherwise noted, load limits listed are for the Load Wheel on Counter balanced Lift Trucks. Tire load limits will be lower if used on continuous service Industrial Vehicles.

\*\*NOTE: Load limit listed for Steer Wheel on Counterbalanced Lift Truck at 15 MPH.

† Indicates mounted diameter and mounted width

**ROAD ROLLER**

Smooth tread for paving with superior heat resistant nylon fabric panels.

SIZE	PRODUCT CODE	PLY RATING	DIAMETER†	WIDTH†	RIM WIDTH	MAX CAPACITY @ 10 MPH	MAX PSI	TIRE WEIGHT
7.50-15NHS (TT)*	<b>60127</b>	12	30.9	8.6	6.00	5860	110	44.7
7.50-15NHS (TT)	<b>60128</b>	14	30.9	8.6	6.00	6300	125	49.3
8.5/90-15K (TL)**	<b>58R3A2</b>	6	30.9	8.6	6.00	3900	50	46.9

\*For 7.50-15 size tube type. Use 5 degree flat base rim. Flap is included for the tube type (TT) tires.

\*\*For 5 Degree Drop Center Rim only. Flap is included for the tube type (TT) tires.

† Indicates mounted diameter and mounted width

**INDUSTRIAL ALL PURPOSE**

General purpose rib design.

SIZE	PRODUCT CODE	PLY RATING	DIAMETER†	WIDTH†	RIM WIDTH	MAX CAPACITY @ 10 MPH	MAX PSI	TIRE WEIGHT	TREAD DEPTH (32nds)
7.50-10 TT	<b>60100</b>	E	25.3	7.6	5.50	1975	90	24.4	12

Flap is included for these tube type (TT) tire.

† Indicates mounted diameter and mounted width





PREMIUM WIDE TRAC

GROUND FORCE ULTRA RIB GSE

## MATERIAL HANDLING, MINING, COMPACTION AND ROAD PAVING EQUIPMENT

### PREMIUM WIDE TRAC

Premium level design with extra heavy duty sidewall for material handling applications.

SIZE	PRODUCT CODE	PLY RATING	DIAMETER†	WIDTH†	RIM WIDTH	MAX CAPACITY @ 10 MPH	MAX PSI	TIRE WEIGHT	TREAD DEPTH (32nds)
5.70/5.00-8NHS (TT)	<b>60118</b>	8	18.2	5.4	3.00	1930	120	15.0	17
5.70/5.00-8NHS (TT)	<b>60122</b>	10	18.5	5.5	4.5/3.0	2340	150	15.5	17
18x7.00-8NHS (TT)	<b>60114</b>	16	18.3	6.6	4.33	4695	145	23.7	21
6.90/6.00-9NHS (TT)	<b>60110</b>	10	22.2	6.0	4.00	3715	125	28.6	32
6.50-10NHS (TT)	<b>60116</b>	10	23.8	7.1	5.00	4225	115	37.8	32
7.00-12NHS (TT)	<b>60111</b>	12	27.3	7.5	5.00	7690	125	51.5	32
7.50x15.00NHS (TT)	<b>60117</b>	12	32.4	8.7	6.00	7690	115	61.1	22
8.25-15NHS (TT)	<b>60113</b>	12	33.6	9.9	6.50	8660	105	78.9	24
8.25-15NHS (TT)	<b>60121</b>	14	33.6	9.8	6.50	9385	120	85.4	24
28x9.00-15NHS (TT)	<b>60119</b>	12	27.3	8.8	7.00	6880	120	52.7	18
28x9.00-15NHS (TT)	<b>60120</b>	14	27.3	8.9	7.00	7530	140	53.5	18
29x8.00-15NHS (TT)	<b>60112</b>	12	28.9	7.5	5.50	6870	125	57.3	32
2.50-15NHS (TT)	<b>60123</b>	18	29.1	9.1	7.50	10100	150	70.4	24
3.00-15NHS (TT)	<b>60124</b>	20	32.7	11.3	8.00	14500	135	120.2	26
28x12.00-15NHS (TT)	<b>60115</b>	20	28.1	11.5	9.75	10800	150	86.0	24
7.50-16.00NHS (TT)	<b>60125</b>	12	32.3	8.5	6.00	8000	115	57.1	22

Flap is included for these tube type (TT) tires.

Unless otherwise noted, load limits listed are for the Load Wheel on Counterbalanced Lift Trucks.

Tire load limits will be lower if used on continuous service Industrial Vehicles.

† Indicates mounted diameter and mounted width

### GROUND FORCE® ULTRA RIB GSE

Sturdy Rib tread pattern specially designed for optimal performance on ground support equipment.

SIZE	PRODUCT CODE	PLY RATING	DIAMETER†	WIDTH†	RIM WIDTH	MAX CAPACITY @ 10 MPH	MAX PSI	TIRE WEIGHT	TREAD DEPTH (32nds)
4.80-8NHS (TT)	<b>60133</b>	8	16.5	4.8	3.80	1160	145	10.7	11
5.70-8NHS (TT)	<b>60132</b>	8	18.4	5.9	3.80	1470	120	12.8	11
6.50-10NHS (TT)	<b>60109</b>	10	23.2	7.1	5.00	2535	115	28.6	24
6.90-6.00-9NHS (TT)	<b>60131</b>	10	21.6	6.8	4.00	2200	125	26.0	24
9.00-10NHS (TT)	<b>60108</b>	10	27.2	9.7	6.00	3720	85	34.5	9
175/80D13NHS (TL)	<b>52N3T9</b>	8	23.7	6.1	5.00	2070	115	27.4	24

A flap is included for the Ground Force Ultra Rib GSE Tube Type (TT) tires.

"NHS" tires are Non-Highway Service tires.

† Indicates mounted diameter and mounted width



# Wheels

---



**NON-REVERSIBLE,  
SOLID CENTER, OFF  
WHITE AG WHEEL** 58



**REVERSIBLE, COINED OFF  
WHITE AG WHEELS WITHOUT  
VALVE GUARD** 58



**HIGHWAY  
SUPREME TRAILER  
WHEELS WHITE** 58



**HIGHWAY  
SUPREME TRAILER  
WHEELS SILVER** 59



**HIGHWAY EIGHT  
SPOKE TRAILER  
WHEELS WHITE** 59



**HIGHWAY EIGHT  
SPOKE TRAILER  
WHEELS GALVANIZED** 59



**HIGHWAY  
STANDARD TRAILER  
WHEELS WHITE** 60



**HIGHWAY  
STANDARD TRAILER  
WHEELS GALVANIZED** 60



**4 WINDOW DUAL  
TRAILER WHEELS** 60



**INTRUDER ALUMINUM  
TRAILER WHEELS MATTE BLACK  
WITH MACHINED ACCENTS** 61



**INTRUDER ALUMINUM  
TRAILER WHEELS  
SILVER PAINTED** 61



**CROSSTRAX TRAILER  
WHEELS MACHINED WITH  
BLACK/SILVER ACCENTS** 61





OFF WHITE AG WHEEL



OFF WHITE AG WHEEL, WITHOUT VALVE GUARD



HIGHWAY SUPREME, WHITE WITH STRIPES

**FRONT TRACTORS, WAGONS, BALERS, SPREADERS, SEEDERS, IRRIGATION SYSTEMS AND FEED YARD SCRAPERS**

**NON-REVERSIBLE, SOLID CENTER, OFF WHITE AG WHEEL (BOXED)**

PART NUMBER	RIM SIZE	BOLT PATTERN	OFFSET	WEIGHT	CENTER BORE (IN.)	DISC THICKNESS	RIM THICKNESS
1519293038B	15x6	6-6.0	0.875"	22.9	4.64	0.240"	0.138"
1519294038B	15x8	8-8.0	-1.500"	26.5	6.02	0.240"	0.138"
1519299038B	15x8	6-6.0	1.125"	27.0	4.64	0.240"	0.155"
1519300038B	15x10	8-8.0	-1.500"	31.3	6.02	0.240"	0.138"
1619296038B	16x6	6-6.0	1.000"	30.7	4.64	0.240"	0.160"
1619301038B	16x8	8-8.0	-1.500"	31.1	6.02	0.240"	0.158"

**REVERSIBLE, COINED OFF WHITE AG WHEEL WITHOUT VALVE GUARD (BOXED)**

PART NUMBER	RIM SIZE	BOLT PATTERN	OFFSET	WEIGHT	CENTER BORE (IN.)	DISC THICKNESS	RIM THICKNESS
1529843038B	15x10	6-6.0	1.125"	34.5	4.64	0.223"	0.123"
1529713038B	15x5	6-6.0	1.125"	23.0	4.64	0.223"	0.134"
1529771038B	15x6	6-6.0	1.125"	23.1	4.64	0.223"	0.138"
1529885038B	15x8	6-6.0	1.125"	26.3	4.64	0.223"	0.155"

**BOAT TRAILERS, CARGO TRAILERS, HORSE AND STOCK TRAILERS, RV-TOWABLE UTILITY AND SPECIALTY TRAILERS**

**HIGHWAY SUPREME TRAILER WHEELS - WHITE WITH RED AND BLUE STRIPES (BOXED)**

PART NUMBER	RIM SIZE	BOLT PATTERN	OFFSET (+/-)	REAR SPACING	SHIPPING WEIGHT	CENTER BORE (IN.)	LOAD RATING
1221483564B	12x4	4-4.0	0	2 3/8"	10	2.80	1520
1221442564B	12x4	5-4.5	0	2 3/8"	10	2.80	1520
1321132564B	13x4.5	5-4.5	0	2 5/8"	13	3.30	1660
1421156564B	14x6	5-4.5	0	3 1/2"	20	3.30	1870
1519898564B	15x5	5-4.5	-3mm	2 3/8"	20	3.30	2150
1521133564B	15x6	5-4.5	0	3 1/2"	22	3.30	2850
1521124564B	15x6	6-5.5	0	3 1/2"	22	4.28	2850
1621157564B	16x6	6-5.5	0	3 1/2"	27	4.28	3750
1621149564B	16x6	8-6.5	0	3 1/2"	27	5.15	4080





HIGHWAY SUPREME SILVER



HIGHWAY EIGHT SPOKE, WHITE WITH STRIPES



HIGHWAY EIGHT SPOKE, GALVANIZED

BOAT TRAILERS, CARGO TRAILERS, HORSE AND STOCK TRAILERS, RV-TOWABLE UTILITY AND SPECIALTY TRAILERS

**HIGHWAY SUPREME TRAILER WHEELS - SILVER (BOXED)**

PART NUMBER	RIM SIZE	BOLT PATTERN	OFFSET (+/-)	REAR SPACING	SHIPPING WEIGHT	CENTER BORE (IN.)	LOAD RATING
1221131532B	12x4	5-4.5	0	2 3/8"	10	2.80	1520
1321132532B	13x4.5	5-4.5	0	2 5/8"	13	3.30	1660
1421156532B	14x6	5-4.5	0	3 1/2"	20	3.30	1870
1519898532B	15x5	5-4.5	-3mm	2 3/8"	20	3.30	2850
1521133532B	15x6	5-4.5	0	3 1/2"	22	3.30	2850
1521124532B	15x6	6-5.5	0	3 1/2"	22	4.28	2850
1621157532B	16x6	6-5.5	0	3 1/2"	27	4.28	3750
1621140532B	16x6	8-6.5	0	3 1/2"	27	5.15	4080

**HIGHWAY EIGHT SPOKE TRAILER WHEELS - WHITE WITH RED AND BLUE STRIPES (BOXED)**

PART NUMBER	RIM SIZE	BOLT PATTERN	OFFSET (+/-)	REAR SPACING	SHIPPING WEIGHT	CENTER BORE (IN.)	LOAD RATING
1221135564B	12x4	4-4.0	0	2 3/8"	10	2.80	1520
1221131564B	12x4	5-4.5	0	2 3/8"	10	2.80	1520
1321520564B	13x4.5	5-4.5	0	2 5/8"	13	3.30	1660
1421137564B	14x6	5-4.5	0	3 1/2"	20	3.30	1870
1521158564B	15x5	5-4.5	-3mm	2 3/8"	20	3.30	2150
1521138564B	15x6	5-4.5	0	3 1/2"	22	3.30	2850
1521139564B	15x6	6-5.5	0	3 1/2"	23	4.28	2850
1621113564B	16x6	6-5.5	0	3 1/2"	27	4.28	3750
1621112564B	16x6	8-6.5	0	3 1/2"	27	5.15	4080

**HIGHWAY EIGHT SPOKE TRAILER WHEELS - GALVANIZED (BOXED)**

PART NUMBER	RIM SIZE	BOLT PATTERN	OFFSET (+/-)	REAR SPACING	SHIPPING WEIGHT	CENTER BORE (IN.)	LOAD RATING
1221135400B	12x4	4-4.0	0	2 3/8"	10	2.80	1520
1221442400B	12x4	5-4.5	0	2 3/8"	10	2.80	1520
1321136400B	13x4.5	5-4.5	0	2 5/8"	13	3.30	1660
1421137400B	14x6	5-4.5	0	3 1/2"	20	3.30	1870
1521138400B	15x6	5-4.5	0	3 1/2"	22	3.30	2850
1521139400B	15x6	6-5.5	0	3 1/2"	23	4.28	2850
1621113400B	16x6	6-6.5	0	3 1/2"	27	4.28	3750
1621112400B	16x6	8-6.5	0	3 1/2"	27	5.15	4080



HIGHWAY STANDARD, WHITE



HIGHWAY STANDARD, GALVANIZED



4 WINDOW DUAL TRAILER

BOAT TRAILERS, CARGO TRAILERS, HORSE AND STOCK TRAILERS, RV-TOWABLE UTILITY AND SPECIALTY TRAILERS

**HIGHWAY STANDARD TRAILER WHEELS - WHITE (BOXED)**

PART NUMBER	RIM SIZE	BOLT PATTERN	OFFSET (+/-)	REAR SPACING	SHIPPING WEIGHT	CENTER BORE (IN.)	LOAD RATING
<b>0821466266B</b>	8x3.75	4-4.0	0	2 3/8"	4.5	2.81	910
<b>0821467266B</b>	8x3.75	5-4.5	0	2 3/8"	4.5	2.81	910
<b>0815293266B</b>	8x5.375	4-4.0	-0.75	2 7/16"	5.0	2.81	900
<b>0815295266B</b>	8x5.375	5-4.5	-0.75	2 7/16"	5.0	2.81	900
<b>0821654266B</b>	8x7	4-4.0	0	4"	6.5	2.50	915
<b>0821637266B</b>	8x7	5-4.5	0	4"	6.5	2.81	935
<b>1021632266B</b>	10x6	4-4.0	0	3 1/2"	10.5	2.50	1320
<b>1021583266B</b>	10x6	5-4.5	0	3 1/2"	10.5	2.81	1535

**HIGHWAY STANDARD TRAILER WHEELS - GALVANIZED (BOXED)**

PART NUMBER	RIM SIZE	BOLT PATTERN	OFFSET (+/-)	REAR SPACING	SHIPPING WEIGHT	CENTER BORE (IN.)	LOAD RATING
<b>0821466400B</b>	8x3.75	4-4.0	0	2 3/8"	4.5	2.81	910
<b>0821467400B</b>	8x3.75	5-4.5	0	2 3/8"	4.5	2.81	910
<b>0821654400B</b>	8x7	4-4.0	0	4"	6.5	2.50	915
<b>0821637400B</b>	8x7	5-4.5	0	4"	6.5	2.81	935
<b>1021632400B</b>	10x6	4-4.0	0	3 1/2"	10.5	2.50	1320
<b>1021583400B</b>	10x6	5-4.5	0	3 1/2"	10.5	2.81	1535

**4 WINDOW DUAL TRAILER WHEEL (BOXED)**

PART NUMBER	RIM SIZE	BOLT PATTERN	OFFSET (+/-)	REAR SPACING	SHIPPING WEIGHT	CENTER BORE (IN.)	LOAD RATING
<b>1621472284B</b>	16x6	8-6.5	N/A	8 5/8"	43	4.88	3640
<b>1619880284B</b>	16x6	8-6.5	N/A	8 5/8"	43	4.77	3640



INTRUDER ALUMINUM, MATTE BLACK



INTRUDER ALUMINUM, SILVER



CROSSTRAX TRAILER WHEEL

## BOAT TRAILERS, CARGO TRAILERS, HORSE AND STOCK TRAILERS, RV-TOWABLE UTILITY AND SPECIALTY TRAILERS

### INTRUDER ALUMINUM TRAILER WHEELS - MATTE BLACK WITH MACHINED ACCENTS (BOXED)

- STEEL LUG INSERTS

- CONICAL SEAT LUG NUTS AND CAPS SOLD SEPARATELY

PART NUMBER	RIM SIZE	BOLT PATTERN	OFFSET (+/-)	REAR SPACING	SHIPPING WEIGHT	CENTER BORE (IN)	CAPACITY
<b>910B4551232</b>	14x5.5	5-4.5	0	3 1/4"	18	3.20	1900
<b>910B561235</b>	15x6	5-4.5	0	3 1/2"	20	3.20	2150
<b>910B566035</b>	15x6	6-5.5	0	3 1/2"	20	4.28	2830
<b>910B668035</b>	16x6	8-6.5	0	3 1/2"	24	4.90	3960

### INTRUDER ALUMINUM TRAILER WHEELS - SILVER PAINTED (BOXED)

- STEEL LUG INSERTS

- CONICAL SEAT LUG NUTS AND CAPS SOLD SEPARATELY

PART NUMBER	RIM SIZE	BOLT PATTERN	OFFSET (+/-)	REAR SPACING	SHIPPING WEIGHT	CENTER BORE (IN)	CAPACITY
<b>910S561235</b>	15x6	5-4.5	0	3 1/2"	20	3.20	2150
<b>910S566035</b>	15x6	6-5.5	0	3 1/2"	20	4.28	2830
<b>910S668035</b>	16x6	8-6.5	0	3 1/2"	24	4.90	3960

### CROSSTRAX TRAILER WHEELS-MACHINED WITH BLACK ACCENTS WITH CLEAR COAT (BOXED)

- STEEL LUG INSERTS

- CONICAL SEAT LUG NUTS AND CAPS SOLD SEPARATELY

PART NUMBER	RIM SIZE	BOLT PATTERN	OFFSET (+/-)	REAR SPACING	SHIPPING WEIGHT	CENTER BORE (IN)	LOAD RATING	CAP PART NUMBER
<b>922MB241225</b>	12x4	5-4.5	0	2 1/2"	9	3.20	1520	231922BR
<b>922MS351230</b>	13x5	5-4.5	0	2 3/4"	13	3.20	1660	231922BR
<b>922MB4551232</b>	14x5.5	5-4.5	0	3 1/4"	15	3.20	1900	231922BR
<b>922MB561235</b>	15x6	5-4.5	0	3 1/2"	15	3.20	2150	231922BR
<b>922MB566035</b>	15x6	6-5.5	0	3 1/2"	18	4.28	2830	242522BR
<b>922MB666035</b>	16x6	6-5.5	0	3 1/2"	20	4.28	3200	242522BR
<b>922MB668035</b>	16x6	8-6.5	0	3 1/2"	20	4.90	3960	249022BR









TUBES / FLAPS



**LAWN AND GARDEN, INDUSTRIAL, TRAILER**

SIZE	PRODUCT CODE	VALVE	VALVE ON/OFF-CENTER	UNIT WEIGHT	UNITS / CASE
2.80/2.50 - 4	320050	TR87	ON	0.3	10
2.80/2.50 - 4	320010	JS87P	ON	0.3	10
9 x 3.50 - 4	320030	TR87	ON	0.4	10
9 x 3.50 - 4	320031	JS87P	ON	0.4	10
4.10/3.50 - 4	320100	TR87	5 mm	0.4	10
4.10/3.50 - 4	320040	TR13	5 mm	0.4	10
4.10/3.50 - 4	320020	JS87P	5 mm	0.4	10
3.40/3.00 - 5	320150	TR87	10 mm	0.4	10
4.10/3.50 - 5	320200	TR87	10 mm	0.6	10
4.10/3.50 - 5	320070	TR13	10 mm	0.5	10
4.10/3.50 - 5	320060	JS87P	10 mm	0.5	10
11 x 4.00 - 5	320080	TR87	20 mm	0.5	10
11 x 6.00 - 5	323520	TR87	10 mm	0.6	10
4.10/3.50 - 6	320250	TR87	ON	0.5	10
4.10/3.50 - 6	320160	TR13	10 mm	0.6	10
13 x 5.00 - 6	320260	TR87	10 mm	0.6	10
13 x 5.00 - 6	323790	TR13	10 mm	0.6	10
13 x 6.50 - 6	320170	TR13	10 mm	0.6	10
5.30/4.50 - 6	320270	TR87	10 mm	0.6	10
15 x 6.00 - 6	320290	TR87	20 mm	0.8	10
15 x 6.00 - 6	323800	TR13	20 mm	0.8	10
3.50/4.00 - 8	320120	TR13	ON	0.5	10
3.50/4.00 - 8	320360	TR87	ON	0.5	10
4.80/4.00 - 8	320400	TR13	10 mm	0.5	10
4.80/4.00 - 8	320130	JS87C	10 mm	0.6	10
5.70/5.00 - 8	320450	TR13	25 mm	1.0	10
16 x 6.50/7.50 - 8	320420	TR13	25 mm	1.0	10
20x7 - 8	320140	TR6	25 mm	1.6	10
18.00x6.50/8.50/9.50-8 20x8.00/10.00-8	320410	TR13	25 mm	1.6	10
6.90/6.00 - 9	321500	TR13	25 mm	1.5	10
20 x 8.00/10.00 - 10	320770	TR13	20 mm	1.8	10
6.00-12	323843	TR13	12 mm	1.8	10
4.80/5.30-12 COMBO	320901	TR13	20 mm	1.3	10
23x8.50/9.50/10.50-12	321370	TR13	25 mm	3.3	10
26 x 12 - 12	321050	TR13	40 mm	3.4	10

**RADIAL ATV**

SIZE	PRODUCT CODE	VALVE	VALVE ON/OFF-CENTER	UNIT WEIGHT	UNITS / CASE
AT16x8.00R7	320035	TR6	20 mm	1.4	10
AT21/22x11/12R8	320440	TR6	25 mm	1.6	10
20x7.00-R8	320141	TR6	25 mm	1.6	10
AT25x12/13R9	321520	TR6	35 mm	2.2	10
AT22/23x8R11/12	321371	TR6	25 mm	3.3	10
AT24/26x12R12	321051	TR6	40 mm	3.4	10
AT26x8/9R14	324500	TR6	30 mm	2.0	10

**RADIAL PASSENGER**

SIZE	PRODUCT CODE	VALVE	VALVE ON/OFF-CENTER	UNIT WEIGHT	UNITS / CASE
ER12/13	322160	TR13	20 mm	0.9	10
FR13/14	322010	TR13	20 mm	1.6	10
FR15	322170	TR13	20 mm	1.4	10
GR/KR16	322050	TR13	25 mm	2.0	10
KR14/15	322030	TR13	30 mm	2.4	10
MR14/15	322040	TR13	25 mm	2.8	10
GR/KR16	322190	TR15CW	25 mm	1.8	10

**RADIAL LIGHT TRUCK**

SIZE	PRODUCT CODE	VALVE	VALVE ON/OFF-CENTER	UNIT WEIGHT	UNITS / CASE
7.00/7.50R15LT	322070	TR150	25 mm	2.4	10
7.00/7.50R15LT	322230	TR13CW	25 mm	2.3	10
7.00/7.50R16LT	322060	TR150	25 mm	2.5	10
7.00/7.50R16LT	322200	TR13	25 mm	2.5	10
7.00/7.50R16LT	322210	TR440	ON	2.6	10
7.00/7.50R16LT	322220	TR15CW	25 mm	2.5	10
7.00/7.50R16LT	322430	TR13CW	25 mm	2.4	10
7.00/7.50R17/18	322440	TR440	ON	3.5	10

**RADIAL HEAVY TRUCK**

SIZE	PRODUCT CODE	VALVE	VALVE ON/OFF-CENTER	UNIT WEIGHT	UNITS / CASE
8.25R20	322080	TR442	ON	4.9	4
9.00R20	322090	TR443	ON	6.5	4
10.00R20 12/80R20	322100	TR444	ON	7.3	4
11.00R20 13/80R20	322110	TR444	ON	8.4	4
10.00R22	322270	TR444	ON	8.1	4
11.00R-22	322280	TR444	ON	8.1	4

**HEAVY DUTY BIAS**

SIZE	PRODUCT CODE	VALVE	VALVE ON/OFF-CENTER	UNIT WEIGHT	UNITS / CASE
10.00 - 20	322330	TR444	ON	6.8	6

**RV AND WIDE BASE TRUCK BIAS AND SKID STEER**

SIZE	PRODUCT CODE	VALVE	VALVE ON/OFF-CENTER	UNIT WEIGHT	UNITS / CASE
10/11R15LT	322310	TR13	45 mm	4.4	6

For tube stem and valve stem information and specifications, refer to most recent Tire and Rim Association publications.





**LOW PLATFORM RADIAL**

SIZE	PRODUCT CODE	VALVE	VALVE ON/OFF-CENTER	UNIT WEIGHT	UNITS / CASE
7.00/7.50R15TR	322450	TR440	ON	2.4	6
8.25R15TR	322240	TR444	ON	3.1	6
9.00/10.00/11.00R15TR	322250	TR444	ON	3.9	6

**MOBILE HOME BIAS**

SIZE	PRODUCT CODE	VALVE	VALVE ON/OFF-CENTER	UNIT WEIGHT	UNITS / CASE
7/8/9-14.5MH	322290	TR300	25 mm	2.9	6

**OTR/CONSTRUCTION/SKID STEER**

SIZE	PRODUCT CODE	VALVE	VALVE ON/OFF-CENTER	UNIT WEIGHT	UNITS / CASE
8.3/9.5/12.5-18/20	322000	TR15CW	33 mm	3.8	6
13.00/14.00-24 TG	322340	TR220A	55 mm	16.9	1

**RADIAL OTR/CONSTRUCTION/SKID STEER**

SIZE	PRODUCT CODE	VALVE	VALVE ON/OFF-CENTER	UNIT WEIGHT	UNITS / CASE
15R19.5	323131	TR15CW	60 mm	7.1	3
13.00/14.00R24TG	322341	TR220A	55 mm	16.9	1
20.5R25	323671	TRJ1175C	ON	18.7	1
23.5R25	323681	TRJ1175C	ON	25.5	1

**HEAVY DUTY INDUSTRIAL LIFT/FORK TRUCK MINING**

SIZE	PRODUCT CODE	VALVE	VALVE ON/OFF-CENTER	UNIT WEIGHT	UNITS / CASE
5.70/5.00-8NHS	323820	JS2	10 mm	1.0	36
4.80/4.00-8/9NHS	322410	JS2	10 mm	0.6	12
6.50-10	323840	JS2	12 mm	1.8	22
7.00-12NHS	322420	TR440	ON	2.4	6
7.50/8.25-15	323850	TR440	ON	3.0	14
28x9-15	323860	TR440	ON	3.0	14
28x12-15	323900	TR440	ON	3.8	10
29x8-15	323920	TR440	ON	3.0	14
2.50-15	323880	TR440	ON	2.5	11
3.00-15	323890	TR440	ON	3.5	10
32x12-15	323910	TR440	ON	4.0	10
8.25-15	323870	TR442	ON	3.4	12

**FARM FRONT BIAS**

SIZE	PRODUCT CODE	VALVE	VALVE ON/OFF-CENTER	UNIT WEIGHT	UNITS / CASE
4.00/5.50/5.90/6.00-15SL	322350	TR15	20 mm	1.4	6
5.50/5.90/6.00/6.40-15/16SL	322120	TR15	20 mm	1.8	6
6.50/7.00/7.50/7.60/8.00-15/16	322360	TR15	25 mm	2.5	6
10.00-15/16SL	322130	TR15CW	25 mm	4.1	6
11.00-16SL	322370	TR15CW	50 mm	3.9	6
6.50/7.00/7.50-18SL	322140	TR15	25 mm	2.9	6
4.00-18/19SL	322380	TR15	15 mm	1.3	6
8.3/9.5/12.5-18/20	322000	TR15CW	33 mm	3.8	6

**REAR FARM RADIAL**

SIZE	PRODUCT CODE	VALVE	VALVE ON/OFF-CENTER	UNIT WEIGHT	UNITS / CASE
9/9.5/10/11.2/12.40R24	323960	TR218A	50 mm	6.7	4
7.50R24SL, 7.5/8.3/9.5R24	323601	TR218A	40 mm	6.6	8
13.6/14.9R24	323950	TR218A	55 mm	10.0	3
14.9R/16.9R/17.5LR24	323760	TR218A	70 mm	12.8	3
18.4R/19.5LR/21LR24	323770	TR218A	70 mm	16.3	2
11.2/12.4R28 11.25R28SL	323591	TR218A	66 mm	8.5	3
13.6/14.9R28/30	323750	TR218A	83 mm	12.1	3
13.6/14.9R26/28	324110	TR218A	58 mm	10.6	3
16.9/18.4R26/28	323730	TR218A	89 mm	14.9	2
14.9R30	323741	TR218A	84 mm	13.2	3
16.9/18.4R30	323780	TR218A	89 mm	16.7	2
11.2R34 11.2/12.4R36	323651	TR218A	70 mm	9.1	3
24.5R32	323742	TR218A	125 mm	24.8	2
13.6/14.9R34	324120	TR218A	58 mm	12.1	3
16.9/18.4R34	323700	TR218A	89 mm	18.2	2
13.6/14.9R36	323621	TR218A	83 mm	15.4	3
11.2/12.4R38	323631	TR218A	70 mm	9.1	3
14.9R36 13.6/14.9/15.5R-38	323720	TR218A	83 mm	15.4	3
16.9/18.4R38	323690	TR218A	89 mm	19.4	2
20.8R38	323710	TR218A	90 mm	25.3	2
18.4R20.8R42	323740	TR218A	90 mm	20.5	2
16.9/18.4R46	323693	TR218A	50 mm	22.6	2

**HD SEVERE SERVICE-REAR FARM RADIAL**

SIZE	PRODUCT CODE	VALVE	VALVE ON/OFF-CENTER	UNIT WEIGHT	UNITS / CASE
16.9/18.4R38	323691	TR218A	89 mm	21.4	1
18.4/20.8R42	323692	TR218A	90 mm	26.0	1
16.9/18.4R46	323694	TR218A	50 mm	25.8	1

For tube stem and valve stem information and specifications, refer to most recent Tire and Rim Association publications.

**FARM IMPLEMENT BIAS**

SIZE	PRODUCT CODE	VALVE	VALVE ON /OFF -CENTER	UNIT WEIGHT	UNITS / CASE
8.5/9.5/11L-14; 8.5/9.5L-15	<b>322390</b>	TR13	25 mm	2.9	6
11L-15/16SL	<b>322150</b>	TR218A	25 mm	4.2	6
11L-15/16SL	<b>322400</b>	TR15CW	25 mm	3.8	6
12.5L-15/16SL	<b>322470</b>	TR218A	45 mm	3.8	6
12.5L-15/16SL	<b>323810</b>	TR15CW	45 mm	3.8	6
13.6/14L-16.1	<b>320032</b>	TR218A	45 mm	7.2	7
16.5/18.4L-16.1	<b>320033</b>	TR218A	65 mm	10.1	4
21.5L-16.1	<b>320034</b>	TR218A	90 mm	12.1	2

**TUBELESS VALVE STEMS**

SIZE	PRODUCT CODE	VALVE	VALVE ON /OFF -CENTER	UNIT WEIGHT	UNITS / CASE
TR412	<b>010200000007</b>	0.453	0.88	4.4	6
TR413	<b>010200000005</b>	0.453	1.25	4.4	6
TR600HP*	<b>010200000008</b>	0.453	1.27	4.4	6

\* High Pressure

**RADIAL INDUSTRIAL FLAPS**

SIZE	PRODUCT CODE	VALVE ON /OFF -CENTER	UNIT WEIGHT	UNITS / CASE
8R3.0	<b>5508</b>	13 mm	0.4	20
8R7.0	<b>12311</b>	ON	1.7	15
9R6.7	<b>11009</b>	10 mm	0.8	20
10R6.7	<b>12310</b>	10 mm	1.1	15
12R6.0	<b>12812</b>	ON	1.4	15
15R10.00	<b>19015</b>	ON	3.9	10
16R6.50/7.00/7.50/8.25	<b>17016</b>	25 mm	2.6	14
15R6.50/7.00/7.50/8.25	<b>17015</b>	ON	2.4	14
20R7.50/8.25	<b>17020</b>	ON	3.2	12
20R8.25	<b>18020</b>	ON	3.8	8
20R9.00/10.00	<b>20520</b>	ON	4.6	7
22R10.00/11.00	<b>20522</b>	ON	5.3	6
20R11.00/12.00	<b>21020</b>	ON	5.5	6
20R13.00/14.00	<b>23020</b>	ON	6.5	4
24R11.1 - Valve Hole 1.2"	<b>19016</b>	32 mm	6.9	4
24R11.1 Center Valve Hole	<b>21024</b>	ON	6.9	5

For tube stem and valve stem information and specifications, refer to most recent Tire and Rim Association publications.



## INNER TUBE FITMENT CHART

SIZE	PRODUCT CODE	VALVE	VALVE ON/OFF - CENTER	ALSO FITS
4.10/3.50-4	320100	TR-87	5 mm	11 x 4.00 - 4
4.10/3.50 - 5	320200	TR-87	10 mm	11 x 4.00 - 5
13 x 5.00 - 6	320260	TR-87	10 mm	12 x 5.00 - 6, 14 x 4.50 - 6
5.30/4.50 - 6	320270	TR-87	25 mm	13 x 6.50 - 6, 14.5/7.00 - 6
18 x 6.50/7.50 - 8	320410	TR-13	25 mm	18 x 8.50/9.50 - 8, 20 x 8.00/9.00/10.00 - 8
23 x 8.50/9.50 - 12	321370	TR-13	25 mm	22 x 7.50/9.00 - 12, 23/24 x 10.50 - 12
26 x 12.00 - 12	321050	TR-13	40 mm	24 x 12.00 - 12, 26 x 10.50 - 12

## RADIAL ATV TUBE FITMENT CHART

SIZE	PRODUCT CODE	VALVE	VALVE ON/OFF - CENTER	ALSO FITS
AT21/22 x 11/12R8	320440	TR6	25 mm	18 x 8-8, AT20 x 7-8, AT22 x 9R8, AT21 x 8R9 18 x 8.5/9.5-8, AT20 x 10/11-8, AT22 x 10R8, AT20 x 7R9 18 x 10/11-8, AT21 x 10/11R8, AT22 x 11R8, AT22 x 7R9 19 x 8.5/9.5-8, AT21 x 12R8, AT22 x 12R8, AT23 x 8R9 19 x 10/11-8, AT22 x 11R9
AT25 x 12/13R9	321520	TR6	35 mm	AT24 x 11R9, AT25 x 11R9, AT24 x 11R10, AT26 x 12R10 AT24 x 12/13R9 AT25 x 12R9 AT25 x 11R10 24 x 13.5-9 AT25 x 12R10 25 x 13.5-9
AT20 x 8/10R10	320771	TR6	20 mm	AT18 x 10R10, AT21 x 7R10, AT22 x 8R10, AT23 x 9R10 AT18 x 11R10, AT22 x 7R10, AT22 x 10R10, AT23 x 10R10 20 x 7.5-10, AT23 x 7R10, AT22 x 11R10 AT20 x 8R10, 22 x 12.5-10 AT20 x 10R10 AT20 x 11R10
AT22/23 x 8R11/12	321371	TR6	25 mm	AT23 x 8-11, AT23 x 8R12, AT23 x 10R12 AT24 x 8-11, AT24 x 8R12, AT24 x 10R12 AT24 x 9-11, AT25 x 8R12, AT25 x 10R12 23.5 x 8-11, AT23 x 9R12
AT24/26 x 12R12	321051	TR6	40 mm	AT24 x 12R12, AT25 x 8R11/12, AT26 x 10R12, AT25 x 11R12 AT25 x 12/13R12, AT26 x 8R11/12, AT26 x 12R12, AT26 x 11R11/12 AT27 x 8R11/12, AT27 x 11/12R12
AT26X8/9R14	324500	TR6	30 mm	AT26X8R14 AT26X9R14

## RADIAL LT TUBE FITMENT CHART

SIZE	PRODUCT CODE	VALVE	VALVE ON/OFF - CENTER	ALSO FITS
700/750R15LT	322230	TR13CW	25 mm	670R/710R/750R15LT, P215/75R15 LT215/225/235R15LT, P235/75R15 LT245/70R15LT, P245/70R15 LT255/70R15LT, P255/70R15 670R/710R/750R15LT, P235/245/70R15
GR/HR/LR15LT				
700/750R15	322070	TR150	25 mm	LT215/235/75R15, P255/65R15 P255/60R15 GR/HR/LR16LT
700/750R16LT	322060	TR150	25 mm	LT215/235/85R16 LT225/245/265/75R16

For tube stem and valve stem information and specifications, refer to most recent Tire & Rim Association publications.



**RADIAL LT TUBE FITMENT CHART (Continued)**

SIZE	PRODUCT CODE	VALVE	VALVE ON/OFF - CENTER	ALSO FITS
700/750R16LT	<b>322200</b>	TR13	25 mm	LR78-16LT, LT235/65R16, P265/75R16, P235/75R16
				LT225/70R16, LT235/70R16, P215/225/75R16LT, P235/65R17
				LT235/75R16, LT245/70R16, P225/70R16, P245/70R16
				LT225/85R16, LT245/75R16, P225/235/85R16, P255/70R16
				LT235/85R16, LT255/70R17, P235/65R16, P255/60R17
				LT255/60R17, LT235/65R17, P235/70R17, P265/70R16
				LT215/235/85R16, P245/75R16, P265/60R17
700/750R16LT	<b>322220</b>	TR15CW	25 mm	GR/HR/LR78-16LT, MR16HD, P215/225/75R16LT
				LT215/235/85R16, LR78-16LT
				LT225/85R16, LT225/70R16
				LT235/70R16, LT235/75R16
			LT245/70R16, LT255/70R16, 8.25R16LT	
7.00/7.50R16LT	<b>322210</b>	TR440	ON	
700/750R16LT	<b>322430</b>	TR13CW	25 mm	LT215/235/85R16, MR16HD
700/750R17/18	<b>322440</b>	TR440	ON	P265/60R17, P255/60R17, P235/65R17
				LT255/70R17, LT235/65R17
				LT255/60R17
9.50/10R16.5	<b>322320</b>	TR15CW	25 mm	31 x 10.50R16.5LT, LT265/60D16.5
12R16.5LT	<b>323990</b>	TR15CW	45 mm	33 x 12.50R16.5LT, 305/70D16.5NHS, 305/90D16.5NHS

For tube stem and valve stem information and specifications, refer to most recent Tire & Rim Association publications.

**REAR FARM RADIAL**

SIZE	PRODUCT CODE	VALVE	VALVE ON/OFF - CENTER	ALSO FITS
11.2/12.4R24	<b>323960</b>	TR218A	50 mm	320/85R24
13.6/14.9R24	<b>323950</b>	TR218A	55 mm	340/85R24, 380/85R24
14.9-16.9/17.5LR24	<b>323760</b>	TR218A	70 mm	460/70R24
18.4/19.5L/21LR24	<b>323770</b>	TR218A	70 mm	500/70R24, 540/70R24
13.6/14.9R28/30	<b>323750</b>	TR218A	83 mm	340/85R28, 380/85R28, 380/85R30
13.6/14.9R26/28	<b>324110</b>	TR218A	58 mm	340/85R28, 380/85R28
16.9/18.4R26/28	<b>323730</b>	TR218A	89 mm	480/80R26
14.9R30	<b>323741</b>	TR218A	84 mm	380/85R30
16.9/18.4R30	<b>323780</b>	TR218A	89 mm	420/90R30, 480/80R30
24.5R32	<b>323742</b>	TR218A	125 mm	650/75R32
13.6/14.9R34	<b>324120</b>	TR218A	58 mm	380/85R34
16.9/18.4R34	<b>323700</b>	TR218A	89 mm	420/85R34, 480/85R34
11.2/12.4R38	<b>323631</b>	TR218A	70 mm	290/90R38
14.9R36, 13.6/14.9/				
15.5R38	<b>323720</b>	TR218A	83 mm	380/80R38
16.9/18.4R38	<b>323690/323691</b>	TR218A	89 mm	480/80R38
20.8R38	<b>323710</b>	TR218A	90 mm	520/85R38
18.4R/20.8R42	<b>323740/323692</b>	TR218A	90 mm	480/80R42, 520/85R42
16.9/18.4R46	<b>323693/323694</b>	TR218A	50 mm	420/80R46, 480/80R46

For tube stem and valve stem information and specifications, refer to most recent Tire & Rim Association publications.



PASSENGER TUBE FITMENT CHART

SIZE	PRODUCT CODE	VALVE	VALVE ON/OFF - CENTER	ALSO FITS				
DR 12/4.00/4.50/4.80/5.30-12	323844	TR-13	10 mm	DR12, 4.00-12				
				4.50-12				
				4.80-12				
				5.30-12				
ER 12/13	322160	TR-13	20 mm	A78-13, 145/80R12/13, 185/60R13, 5.00-12/13				
				135R12, 155/80R13, 195/60R13, 5.20-12/13				
				145R12/13, 165/70R12/13, AR78-12, 5.50-12				
				155R12/13, 155/70R12, BR78-12, 5.60-12/13				
				165R13, 6R12SL				
				B78-13/14, 165/80R13/14, 205/60R13/14, 6.15-13				
				A70-13, 175/80R13, 185/60R14, 6.40-13				
				B70-13/14, 155/80R14, 195/60R14, 6.50-13				
				A60-13/14, 165/75R13/14, AR78-13/14, 6R14SL				
				B60-13/14, 175/75R13/14, BR78-13/14, 7R14SL				
				175R13, 185/75R13, AR70-13				
				155R14, 175/70R13/14, BR70-13/14				
				FR 13/14	322010	TR-13	20 mm	A78-13/14, 165R14, 185/70R13/14, 6.00-13/14
								B78-13/14, 165/80R13/14, 205/60R13/14, 6.15-13
A70-13, 175/80R13, 185/60R14, 6.40-13								
B70-13/14, 155/80R14, 195/60R14, 6.50-13								
A60-13/14, 165/75R13/14, AR78-13/14, 6R14SL								
B60-13/14, 175/75R13/14, BR78-13/14, 7R14SL								
FR 15	322170	TR-13	20 mm	175R13, 185/75R13, AR70-13				
				155R14, 175/70R13/14, BR70-13/14				
				A78-15, 175R15, 195/60R15, 5.00-15				
				B78-15, 155/80R15, 205/60R15, 5.50-15				
GR 13/14/15	322020	TR-13	25 mm	B70-15, 165/80R15, AR78-15, 6.00-15				
				155R15, 175/75R15, BR78-15				
				165R15, 185/70R15, BR70-15				
				C78-13/14/15, G60-14, 215/60R14/15, 7.00R13/14				
				D78-13/14/15, 185R13/14/15, 225/60R14/15, 6.50R14				
				E78-14/15, 195R13/14/15, 245/60R14, 7.35R14				
				F78-14/15, 175R14, CR78-13/14/15, 6.85R15				
				C70-13/14/15, 185/80R13/14, DR78-13/14/15, LT195/75R14				
				D70-13/14/15, 175/80R14, ER78-14/15, 700R14LT				
				E70-14/15, 195/75R13/14/15, FR78-15, 7.9R14LT				
KR 14/15	322030	TR-13	30 mm	F70-14/15, 185/75R14/15, CR70-13/14/15, 26 x 850R14LT				
				C60-14/15, 205/75R14, DR70-13/14/15, 27 x 850R14LT				
				D60-14/15, 195/70R13/14/15, ER70-14/15, 27 x 750R15LT				
				E60-14/15, 205/70R13/14/15, FR70-14/15				
				F60-14/15, 235/6013/14, 6.70R13/14				
				G78-14/15, 225R15, 235/60R15, 7.75R14/15				
H78-14/15, 195/80R15, 245/60R15, 8.00R14/15								
G70-14/15, 215/75R14/15, FR78-14, 8.25R14/15								
H70-14/15, 225/75R14, GR78-14/15, 8.55R15								
H60-14/15, 205/75R15, HR78-14/15								

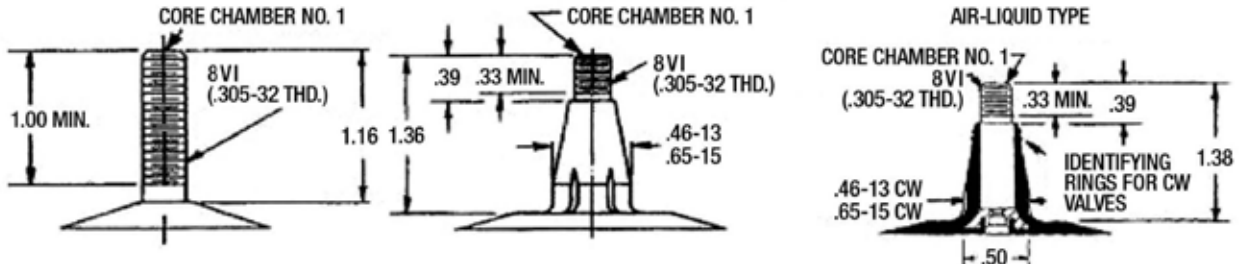
For tube stem and valve stem information and specifications, refer to most recent Tire & Rim Association publications.

**PASSENGER TUBE FITMENT CHART (Continued)**

SIZE	PRODUCT CODE	VALVE	VALVE ON/OFF - CENTER	ALSO FITS
	<b>322040</b>			G60-15, 215/70R14/15, GR70-14/15
				205R14/15, 225/70R14/15, HR70-14/15
				215R14/15, 255/60R14, 7.50R14/15
MR 14/15		TR-13	25 mm	J78-14/15, M60-14/15, 265/60R14/15, LR70-15
				K78-15, N60-15, 275/60R14/15, 8.50R14
				L78-15, 225R14, 255/60R15, 8.85R14/15
				N78-15, 235R15, JR78-14/15, 9.00R14/15
				J70-14/15, 235/75R14/15, KR78-15, 9.50R14
				K70-15, 225/75R15, LR78-15, 9.15R15
				L70-15, 235/70R14/15, NR78-15
	<b>322050</b>			J60-14, 245/70R14/15, JR70-14/15
				L60-14/15, 255/70R15, KR70-15
GR/KR 16		TR-15	25 mm	F78-16, FR78-16, 5.50R16, 7R16SL
				H78-16, HR78-16, 6.00R16, 8R16SL
				L78-16, JR78-16, 6.50R16
				LR78-16, 6.70R16
	<b>322190</b>			7.00R16
				7.50R16
GR/KR 16		TR-15CW	25 mm	F78-16, FR78-1,6 8.00R16
				H78-16, HR78-16, 8.25R16
				L78-16, LR78-16

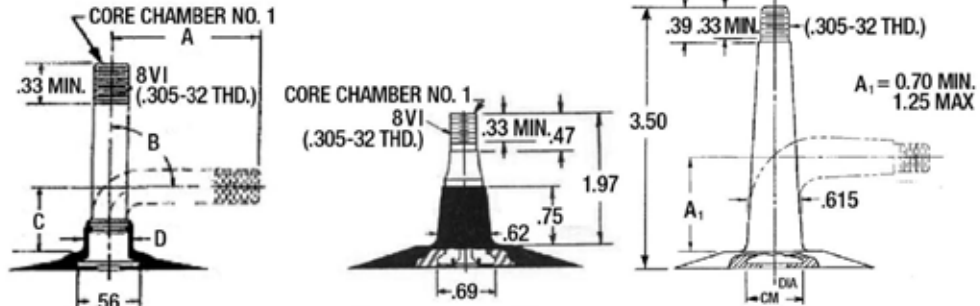
For tube stem and valve stem information and specifications, refer to most recent Tire & Rim Association publications.



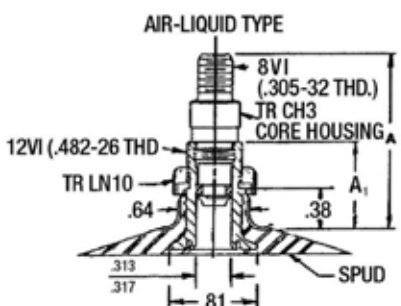


TR 6 TR 13 (TR15) TR 13CW-TR 15CW\*

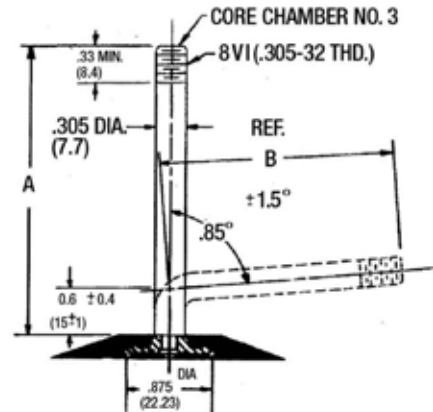
\*To be used where liquid fill is used in tubes



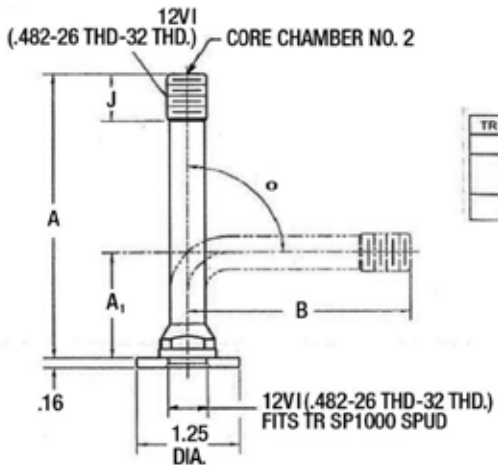
TR 87 / JS 2 / JS 87 TR 300 TR 150



TR 218A / 220A

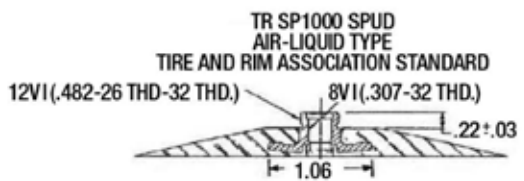


TR 440 SERIES



TR J1175C

TR VALVE NO.	FORM	A	A <sub>1</sub> ±.06	B	J	Z°
J 1014	A	1.91	--	--	1.44	--
	A	4.16	--	--	.75	--
J 1076	D	--	2.06	2.31	.75	90
	E	--	1.39	3.09	.75	88
J 1175	A	5.26	--	--	.75	--
	C	--	1.38	4.13	.75	88



TR SP1000 SPUD



**UNITED STATES**

- Aiken, SC
- Clinton, TN
- Edwardsville, KS
- Kent, WA
- Fontana, CA
- Franklin (Nashville), TN
- Jackson, TN
- McDonough, GA
- Slinger, WI



Budapest, Hungary

Meizhou, China





**Corporate Office**

**The Carlstar Group, LLC**

725 Cool Springs Blvd.

Suite 500

Franklin, TN 37067

Tel: +1 615-503-0220

Email: [brand@carlstargroup.com](mailto:brand@carlstargroup.com)

© 2017 The Carlstar Group, LLC.

All rights reserved.

Revision 03/17. Part #CSL-L-1610

**Customer Service:**

**USA**

Tel: +1 800-827-1001

Email: [orders@carlstargroup.com](mailto:orders@carlstargroup.com)

**Warranty Department:**

Tel: +1 800-260-7959

Email: [customer.care@carlstargroup.com](mailto:customer.care@carlstargroup.com)

**Canada**

Waterloo Tel: 1(800)265-6155

Winnipeg Tel: 1(877)842-6275

**CARLISLEBRANDTIRES.COM**

**AUTHORIZED CARLSTAR DISTRIBUTOR**



**THE CARLSTAR GROUP**