



LED TECHNOLOGY













## EXTERNAL LIGHTING EQUIPMENTS



- "PHEMO" polyellipsoidal
- "MARK2" Ø80
- License plate light



## ***Vehicles applications***

	Trattori <i>Tractors</i>
	Macchine da raccolta <i>Harvest machineries</i>
	Macchine movimento terra <i>Earth moving machines</i>
	Roadside assistance truck <i>Rescue</i>
	Soccorso stradale <i>Rescue</i>
	Spazzatrici stradali <i>Road sweepers</i>
	Autogru <i>Cranes</i>
	Autobus <i>Buses</i>
	Pompieri <i>Firefighters</i>
	Camion con rimorchio <i>Truck with trailer</i>

***And more...***

da pagina  
from page

<b>VEHICLES APPLICATIONS.....</b>	<b>2</b>
<b>“PHEMO” POLYELLIPSOIDAL <i>Low Beam</i>.....</b>	<b>4</b>
<b>“PHEMO” POLYELLIPSOIDAL <i>High Beam</i>.....</b>	<b>5</b>
<b>“MARK2” Ø80 <i>High Beam</i>.....</b>	<b>6</b>
<b>“MARK2” Ø80 <i>Worklamps</i>.....</b>	<b>7</b>
<b>LICENSE PLATE LIGHT <i>Technical specifications</i>.....</b>	<b>8</b>
<b>LICENSE PLATE LIGHT <i>Self tapping screws fixing</i>.....</b>	<b>10</b>
<b>LICENSE PLATE LIGHT <i>Spring fixing</i>.....</b>	<b>10</b>
<b>LICENSE PLATE LIGHT <i>Flange fixing</i>.....</b>	<b>11</b>
<b>CONVERSION TABLE <i>LED vs BULB</i>.....</b>	<b>12</b>

**LOW BEAM**

FISSAGGIO A 4 VITI / 4 SCREWS FIXING



**SPECIFICHE TECNICHE**

Technical specifications

- Alimentazione: 12 - 24V
- Grado di protezione: IP66 - IPX9K - IPX7
- Inversione di polarità: protetto
- Load dump: protetto
- Sovratensione: protetto
- Temperatura colore led: 6000 K ± 400
- Temperatura di funzionamento: - 40° C + + 85° C
- Compatibilità elettromagnetica (EMC): ECE R10 - CISPR 25
- Connettore: DELPHI 2 Way Metri-Pack 280 Series

- Power supply: 12 - 24V
- Sealing degree: IP66 - IPX9K - IPX7
- Polarity inversion: protected
- Load dump: protected
- Overcurrent: protected
- Led color temperature: 6000 K ± 400
- Operating temperature: - 40° C + + 85° C
- Electromagnetic compatibility (EMC): ECE R10 - CISPR 25
- Connector: DELPHI 2 Way Metri-Pack 280 Series

**RIGHT HAND DRIVING**

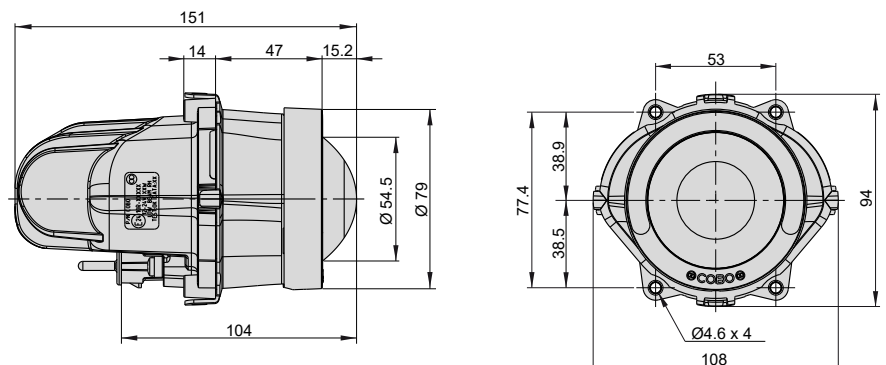
**1099339** | Pkg. Q.ty  
05-2232-0000 | 1 **12-24V**

**1099338** | Pkg. Q.ty  
05-2232-0000 | 40 **12-24V**

**LEFT HAND DRIVING**

**1099425** | Pkg. Q.ty  
05-2237-0000 | 1 **12-24V**

**1099426** | Pkg. Q.ty  
05-2237-0000 | 40 **12-24V**



**OPTIONAL KIT**

Connettore controparte / Mating connector  
**METRI-PACK 280 2 pins**

P/N **1028552** (27-0945-0000)  
(Includes: connector, rubber taps, female terminals)



# HIGH BEAM

## FISSAGGIO A 4 VITI / 4 SCREWS FIXING



### SPECIFICHE TECNICHE

Technical specifications

- Alimentazione: 12 - 24V
- Grado di protezione: IP66 - IPX9K - IPX7
- Inversione polarità: protetto
- Load dump: protected
- Sovratensione: protetto
- Temperatura colore led: 6000 K ± 400
- Temperatura di funzionamento: - 40° C + + 85° C
- Compatibilità elettromagnetica (EMC): ECE R10 - CISPR 25
- Connettore: DELPHI 2 Way Metri-Pack 280 Series

- Power supply: 12 - 24V
- Sealing degree: IP66 - IPX9K - IPX7
- Polarity inversion: protected
- Load dump: protected
- Overcurrent: protected
- Led color temperature: 6000 K ± 400
- Operating temperature: - 40° C + + 85° C
- Electromagnetic compatibility (EMC): ECE R10 - CISPR 25
- Connector: DELPHI 2 Way Metri-Pack 280 Series

**1099427** | Pkg. Q.ty  
05-2233-0000 | 1 **12-24V**

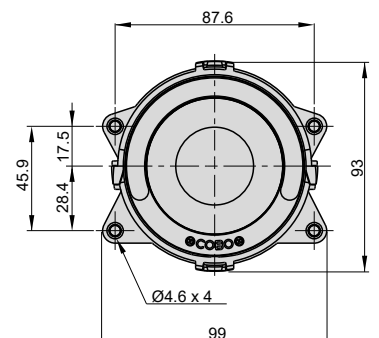
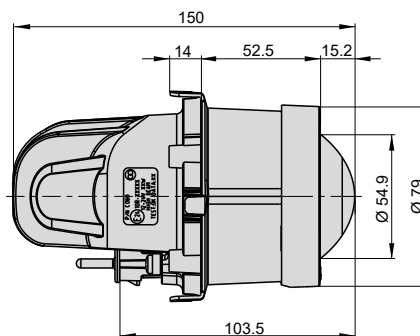
**1099428** | Pkg. Q.ty  
05-2233-0000 | 40 **12-24V**



### OPTIONAL KIT

Connettore controparte / Mating connector  
**METRI-PACK 280 2 pins**

P/N **1028552** (27-0945-0000)  
(Includes: connector, rubber taps, female terminals)



# HIGH BEAM

FISSAGGIO A 3 VITI / 3 SCREWS FIXING



## SPECIFICHE TECNICHE

Technical specifications

- Omologazione per circolazione stradale: ECE R14 - Classe A
- Flusso luminoso utile: 1300 lm ± 10% @ 25 °C
- Lente: PC trasparente con trattamento antigraffio
- Alimentazione: 9 - 32V
- LED: n°4 Singlechip
- Grado di protezione: IP69K
- Inversione di polarità: protetto
- Load dump: protetto
- Sovratensione: protetto
- Temperatura colore led: 5700 K
- Temperatura di funzionamento:
  - 40° C ÷ + 50° C (100% rendimento luminoso)
  - 50° C ÷ + 85° C (declassamento per protezione termica)
- Compatibilità elettromagnetica (EMC): ECE R10 - CISPR 25

- Homologation Road circulation homologation: ECE R14 - Class A
- Luminous flux output: 1300 lm ± 10% @ 25 °C
- Lens: clear PC with anti-scratch coating
- Power supply: 9 - 32V
- LED: n°4 Singlechip
- Sealing degree: IP69K
- Reverse polarity: protected
- Load dump: protected
- Overvoltages: protected
- Led color temperature: 5700 K
- Operating temperature:
  - 40° C ÷ + 50° C (100% light output)
  - 50° C ÷ + 85° C (heat protection derating)
- Electromagnetic compatibility (EMC): ECE R10 - CISPR 25

**1099468**

05-2239-0000

Pkg.  
Q.ty  
1

**9-32V**

**1099190**

05-2239-0000

Pkg.  
Q.ty  
40

**9-32V**



## TECNOLOGIA SINGLECHIP SINGLECHIP TECHNOLOGY

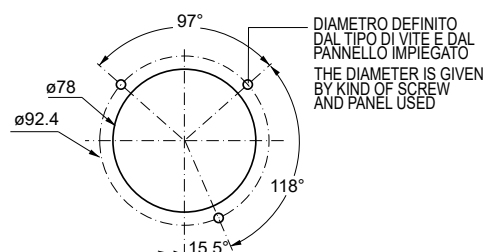
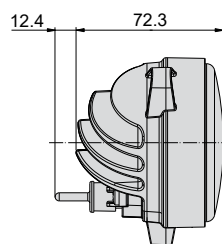
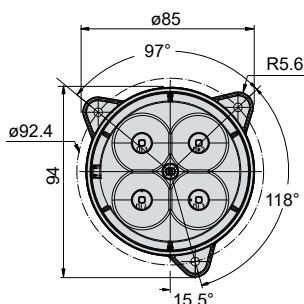


### OPTIONAL KIT

Connettore controparte / Mating connector  
**METRI-PACK 280 2 pins**

P/N **1028552** (27-0945-0000)

(Includes: connector, rubber taps, female terminals)



# WORKLAMPS

## FISSAGGIO A 3 VITI / 3 SCREWS FIXING



### SPECIFICHE TECNICHE

#### Technical specifications

- Light pattern: Flood
- Flusso luminoso utile: 1300 lm  $\pm$  10% @ 25 °C
- Lente: vetro
- Alimentazione: 9 - 32V
- LED: n°4 Singlechip
- Grado di protezione: IP69K
- Inversione di polarità: protetto
- Load dump: protetto
- Sovratensione: protetto
- Temperatura colore led: 5700 K
- Temperatura di funzionamento:
  - 40° C  $\div$  + 50° C (100% rendimento luminoso)
  - 50° C  $\div$  + 85° C (declassamento per protezione termica)
- Compatibilità elettromagnetica (EMC): ECE R10 - CISPR 25

- Light pattern: Flood
- Luminous flux output: 1300 lm  $\pm$  10% @ 25 °C
- Lens: glass
- Power supply: 9 - 32V
- LED: n°4 Singlechip
- Sealing degree: IP69K
- Reverse polarity: protected
- Load dump: protected
- Overvoltages: protected
- Led color temperature: 5700 K
- Operating temperature:
  - 40° C  $\div$  + 50° C (100% light output)
  - 50° C  $\div$  + 85° C (heat protection derating)
- Electromagnetic compatibility (EMC): ECE R10 - CISPR 25

**1099189**

05-2243-0000

Pkg.  
Q.ty  
1

**9-32V**

**1099470**

05-2243-0000

Pkg.  
Q.ty  
40

**9-32V**



### TECNOLOGIA SINGLECHIP SINGLECHIP TECHNOLOGY

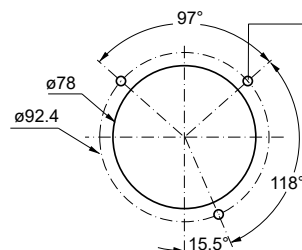
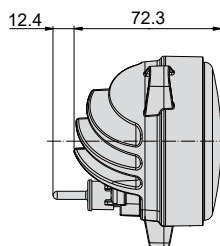
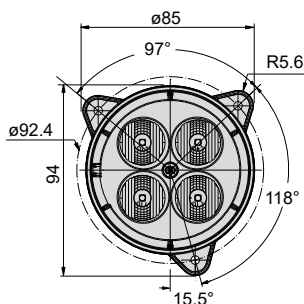


#### OPTIONAL KIT

Connettore controparte / *Mating connector*  
**METRI-PACK 280 2 pins**

P/N **1028552** (27-0945-0000)

(Includes: connector, rubber taps, female terminals)



DIAMETRO DEFINITO  
DAL TIPO DI VITE E DAL  
PANNELLO IMPIEGATO  
THE DIAMETER IS GIVEN  
BY KIND OF SCREW  
AND PANEL USED




## SPECIFICHE TECNICHE

*Technical specifications*

- Alimentazione: 12V o 24V
  - Grado di protezione: IP67 + 9K
  - Inversione di polarità: protetto
  - Load dump: non protetto
  - Temperatura colore led: 5700 K  $\pm$  300 K
  - Temperatura di funzionamento: - 40° C + + 60° C
  - Compatibilità elettromagnetica (EMC): ECE R10
- Power supply: 12V o 24V
  - Sealing degree: IP67 + 9K
  - Polarity invresion: protected
  - Load dump: not protected
  - Leds color temperature: 5700 K  $\pm$  300 K
  - Operating temperature: - 40° C + + 60° C
  - Electromagnetic compatibility (EMC): ECE R10



 Dimensions  
See page 10



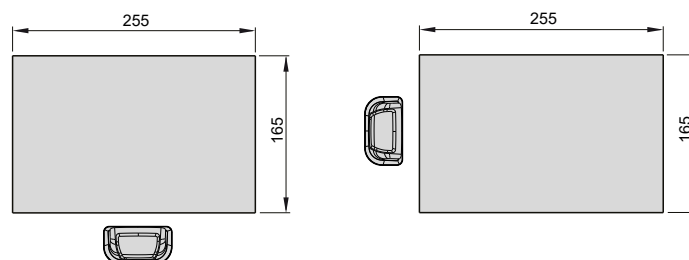
 Dimensions  
See page 10



 Dimensions  
See page 11

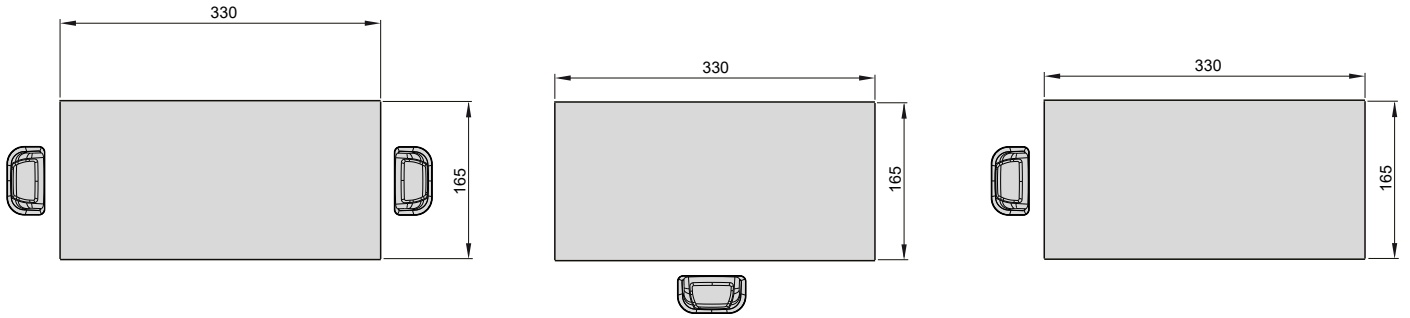
## TIPI DI TARGHE E MONTAGGIO / LICENSE PLATE LIGHT TYPES AND MOUNTING

**255 X 165 mm**

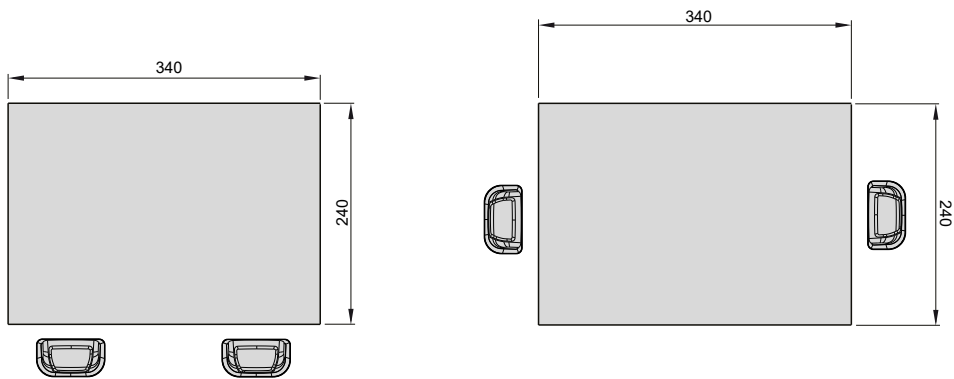




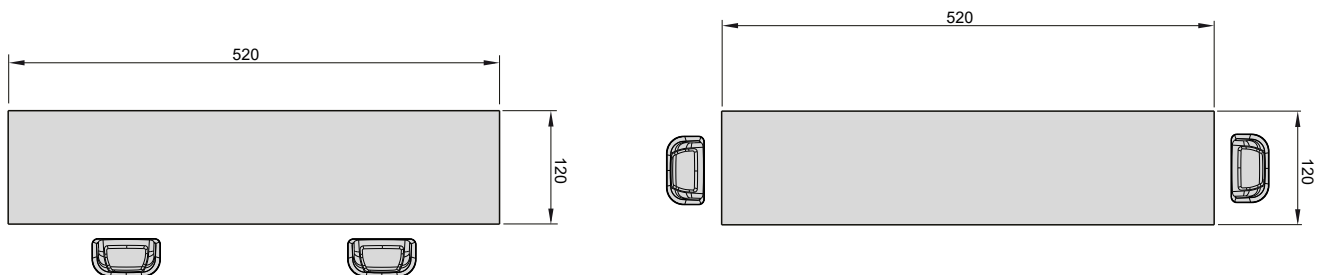
**330 X 165 mm**



**340 X 240 mm**



**520 X 120 mm**



## FISSAGGIO A VITI AUTOFILETTANTI / SELF TAPPING SCREWS FIXING



**1099307** | Q.ty 2 | **12V**  
02-1924-0000

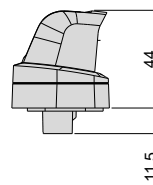
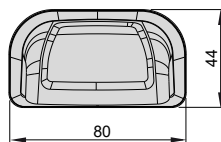
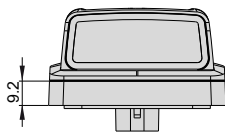
**1099308** | Q.ty 30 | **12V**  
02-1924-0000

**1099309** | Q.ty 2 | **24V**  
02-1963-0000

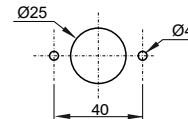
**1099310** | Q.ty 30 | **24V**  
02-1963-0000



### FISSAGGIO FIXING



### FORATURA D'APPLICAZIONE Application hole



## FISSAGGIO A MOLLE / SPRING FIXING



**1099311** | Q.ty 2 | **12V**  
02-1959-0000

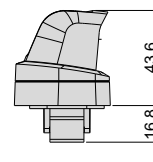
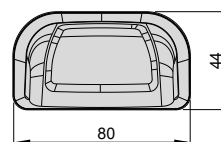
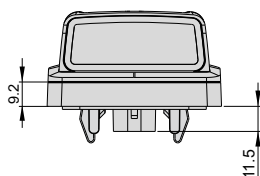
**1099313** | Q.ty 30 | **12V**  
02-1959-0000

**1099312** | Q.ty 2 | **24V**  
02-1964-0000

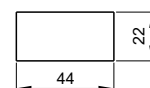
**1099314** | Q.ty 30 | **24V**  
02-1964-0000



### FISSAGGIO FIXING



### FORATURA D'APPLICAZIONE Application hole

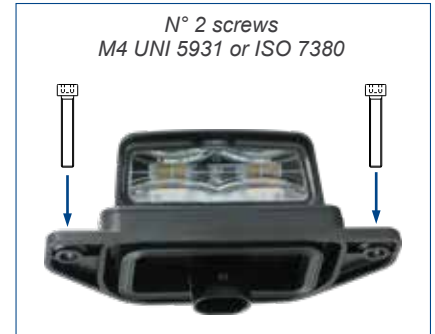


Spessore 2.5 ± 4mm  
Thickness 2.5 ± 4mm

**FISSAGGIO A FLANGIA / FLANGE FIXING**



**FISSAGGIO**  
FIXING

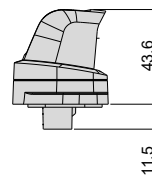
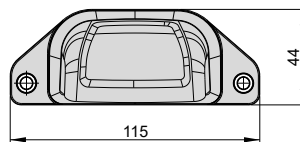
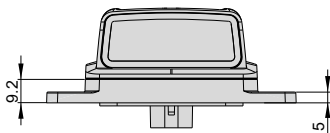


**1099315** | Q.ty 2 | **12V**  
02-1960-0000

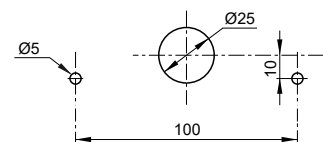
**1099317** | Q.ty 20 | **12V**  
02-1960-0000

**1099316** | Q.ty 2 | **24V**  
02-1965-0000

**1099318** | Q.ty 20 | **24V**  
02-1965-0000



FORATURA D'APPLICAZIONE  
Application hole



## “PHEMO” POLYELLIPSOIDAL



DESCRIPTION	ORDER CODE	DRAWING CODE	VOLTAGE	Q.ty	VOLTAGE	ORDER CODE	DRAWING CODE
 <p>LOW BEAM (RIGHT HAND DRIVING)</p>	<b>1099339</b>	05-2232-0000	12 - 24V	1	12V	<b>1014144</b>	05-1392-0000
	<b>1099338</b>	05-2232-0000	12 - 24V	40	12V	<b>1014145</b>	05-1392-0000
	-	-	-	-	12V	<b>1014222</b>	05-1455-0000
	-	-	-	-	12V	<b>1014223</b>	05-1455-0000
	-	-	-	-	12V	<b>1014743</b>	05-1953-0000
	-	-	-	-	12V	<b>1014744</b>	05-1953-0000
 <p>LOW BEAM (LEFT HAND DRIVING)</p>	<b>1099425</b>	05-2237-0000	12 - 24V	1	12V	<b>1014141</b>	05-1391-0000
	<b>1099426</b>	05-2237-0000	12 - 24V	40	-	-	-
	-	-	-	-	12V	<b>1014221</b>	05-1454-0000
	-	-	-	-	12V	<b>1014741</b>	05-1952-0000
	-	-	-	-	12V	<b>1014742</b>	05-1952-0000

## “PHEMO” POLYELLIPSOIDAL



**DESCRIPTION**

HIGH BEAM







ORDER CODE	DRAWING CODE	VOLTAGE	Q.ty
<b>1099427</b>	05-2233-0000	12 - 24V	1
<b>1099428</b>	05-2233-0000	12 - 24V	40
-	-	-	-
-	-	-	-
-	-	-	-
-	-	-	-

VOLTAGE	ORDER CODE	DRAWING CODE
12V	<b>1014151</b>	05-1394-0000
12V	<b>1014152</b>	05-1394-0000
12V	<b>1014226</b>	05-1457-0000
12V	<b>1014227</b>	05-1457-0000
12V	<b>1014745</b>	05-1954-0000
12V	<b>1014746</b>	05-1954-0000



## "MARK2" Ø80 RANGE



DESCRIPTION		ORDER CODE	DRAWING CODE	VOLTAGE	Pkg. Q.ty	ORDER CODE	DRAWING CODE	
HIGH BEAM LAMP		<b>1099468</b>	05-2239-0000	9 - 32V	1	-	-	
		<b>1099190</b>	05-2239-0000	9 - 32V	40	<b>1014538</b>	05-1675-0000	
FLOOD WORKLAMP		<b>1099189</b>	05-2243-0000	9 - 32V	1	-	-	
		<b>1099470</b>	05-2243-0000	9 - 32V	40	<b>1014539</b>	05-1676-0000	

## LICENSE PLATE LIGHT



FIXING		ORDER CODE	DRAWING CODE	VOLTAGE	Pkg. Q.ty	ORDER CODE	DRAWING CODE	
SELF TAPPING SCREWS		<b>1099307</b>	02-1924-0000	12V	2	<b>1010501</b>	02-924-0000	
		<b>1099308</b>	02-1924-0000	12V	30	<b>1010502</b>	02-924-0000	
		<b>1099309</b>	02-1963-0000	24V	2	-	-	
		<b>1099310</b>	02-1963-0000	24V	30	<b>1010503</b>	02-924-0000	
SPRINGS		<b>1099311</b>	02-1959-0000	12V	2	<b>1008162</b>	02-1033-0000	
		<b>1099313</b>	02-1959-0000	12V	30	<b>1008163</b>	02-1033-0000	
		<b>1099312</b>	02-1964-0000	24V	2	-	-	
		<b>1099314</b>	02-1964-0000	24V	30	-	-	
FLANGE		<b>1099315</b>	02-1060-0000	12V	2	<b>1008217</b>	02-1056-0000	
		<b>1099317</b>	02-1060-0000	12V	20	<b>1008218</b>	02-1056-0000	
		<b>1099316</b>	02-1065-0000	24V	2	-	-	
		<b>1099318</b>	02-1065-0000	24V	20	<b>1008219</b>	02-1056-0000	

#### GERMANY



**COBO DEUTSCHLAND GmbH**  
Zum Schürmannsgraben, 12E  
D-47441 - Moers  
Germany  
Phone: +49 (0) 2841 88238 0  
Fax: +49 (0) 2841 88238 23  
E-mail: [info@cobogroup.net](mailto:info@cobogroup.net)  
Web Site: [www.cobo-deutschland.com](http://www.cobo-deutschland.com)

#### FRANCE



**COBO FRANCE Sarl**  
Allée de l'Europe, 2 - Zone Coriolis  
71210 - Ecuisses  
France  
Phone: +33 (0) 3 857 30560  
Fax: +33 (0) 3 857 85606  
E-mail: [info@cobogroup.net](mailto:info@cobogroup.net)  
Web Site: [www.cobo france.com](http://www.cobo france.com)

#### NORTH AMERICA



**COBO USA Corporation**  
304 West Division Street  
West Burlington, IA 52655  
USA  
Phone: +1 319 754 5585  
Fax: +1 319 754 8724  
E-mail: [info@cobogroup.net](mailto:info@cobogroup.net)  
Web Site: [www.cobointernational.com](http://www.cobointernational.com)

#### LATIN AMERICA



**COBO COMPONENTES AGR. E IND. Ltda**  
Rua Dona Francisca, 8300 - Bloco 2-M  
89219-600 Zona Industrial - Joinville  
Santa Catarina - Brasil  
Phone: +55 47 3305 0095  
E-mail: [info@cobogroup.net](mailto:info@cobogroup.net)  
Web Site: [www.cobogroup.net](http://www.cobogroup.net)

#### OCEANIA



**COBO OCEANIA Ltd**  
Burnside Road, 9/93  
4207 Stapylton - Brisbane  
Queensland - Australia  
Phone: +61 (0) 7 3807 4866  
Fax: +61 (0) 7 3807 6780  
E-mail: [info@cobogroup.net](mailto:info@cobogroup.net)  
Web Site: [www.cobo.com.au](http://www.cobo.com.au)

#### SOUTH-EAST ASIA



**COBO ASIA Ltd**  
Wai Yip Street, 133  
11/F, 12/F and Roof Floor - Kwun Tong  
Hong Kong  
Phone: +852 3511 6708 (6709)  
E-mail: [info@cobogroup.net](mailto:info@cobogroup.net)  
Web Site: [www.cobogroup.net](http://www.cobogroup.net)

#### CHINA



**COBO GUANGZHOU Ltd**  
Qiaotou Street, 226 - Beishan - Haizhu  
51000 - Guangzhou  
People's Republic of China  
Phone: +86 20 8922 5611  
Fax: +86 20 8922 5635  
E-mail: [info@cobogroup.net](mailto:info@cobogroup.net)  
Web Site: [www.cobochina.cn](http://www.cobochina.cn)

#### INDIA



**COBO INDIA Branch Office**  
Mathura Road, 13/6 - 4th floor, 403  
121003 NH-2 - Faridabad  
Haryana - India  
Phone: +91 129 4871206  
Email: [info@cobogroup.net](mailto:info@cobogroup.net)  
Web Site: [www.cobogroup.net](http://www.cobogroup.net)



#### C.O.B.O. SpA

Via Tito Speri, 10  
25024 Leno (Brescia) ITALY  
Phone +39 030 90451  
Fax +39 030 9045330



[info@cobogroup.net](mailto:info@cobogroup.net) | [www.cobogroup.net](http://www.cobogroup.net)

Le informazioni contenute nella presente informativa hanno scopo puramente indicativo.  
L'Azienda si riserva senza preavviso il diritto di apportare qualsiasi modifica tecnica del prodotto.  
*The information published in this catalogue is purely indicative. The Company reserves the right to introduce all technological changes of the present product at any time and without prior notice.*