



IN THE LINE OF POWER



Main Catalog
Products and Systems
for Smart Power Supply

Dear Partners and Friends,

Do you remember the “good old times” when power distribution and grid protection were still simple?

Nowadays, new terms like smart interfaces, macro and micro grid or prosumers determine the way we speak, think and act, both as producers and consumers. You have clearly confirmed this trend in many conversations and in the EFEN Black Box.

Therefore, this EFEN main catalog contains many enhanced solutions and is ment to guide you into a new era. Thanks to our developments and solutions, you will be able to find answers to new challenges connected to the imminent global energy transition.

Solutions from EFEN are Smart Grid Ready and ensure a stable, safe and smart energy supply for meeting current and future requirements in an evermore complex world.

We also guarantee you:

Safe and secure power distribution systems:

That is what the EFEN brand has been standing for - for more than 90 years.

Whether you are active in the **industrial sector**, in the field of **infrastructure** or **power supply**, we provide special know-how on safety interfaces for energy distribution systems according to IEC and DIN standards.

Our solutions help **distribute** electric energy, **protect** people and investments and **ensure** intelligent grid operation; from the point of energy production all the way to the consumer.

Do you have further inquiries or suggestions?

Are you looking for a partner to develop new solutions?

Ask or challenge us. We will be happy to assist you.

Kind regards,



Johannes Thomé



Michael Lehr



Systems and Solutions from a Single Source

As a specialist for safety interfaces, EFEN provides a comprehensive range of products for power distribution grids. With innovative solutions from feed interfaces and power distribution interfaces to consumer interfaces, EFEN is your one-stop shop for flexible systems designed for smart-grid operation.



- Fuse-Links**
- NH Fuse-Links
 - DC Fuse Links
 - D Fuse-Links
 - High Voltage Fuse-Links

page 10



- Power Distribution Components**
- NH Fuse-Bases
 - NH NH Fuse-Disconnectors
 - NH Fuse-Switches, vertical design
 - NH Fuse-Rails
 - Switch-Fuses

page 108



- Metering and Power Management**
- Current transformer for industrie and accounting
 - NH Fuse-Switches, horizontal design with fuse monitoring
 - NH Fuse-Switches, vertical design with fuse monitoring
 - NH Fuse-Bases with fuse monitoring
 - Measurement Devices

page 276



- Distribution Systems**
- Distribution Cabinets and Pillars
 - Distribution Pillar, round
 - House Service Pillars
 - House Service Systems

page 364



- System Extensions**
- Surge Arrestors
 - System Accessories

page 454



Index

page 476



The Specialist for Safe and Smart Grid Operation

Making energy distribution systems safe: for more than 90 years, this has been our commitment. Whether you are active in the field of infrastructure or in the power supply sector, EFEN is your partner for intelligent solutions tailored to your needs. Your benefits: Optimal plant reliability and superior performance. In close cooperation with you, we develop systems that match your individual requirements and that are ready to enhance energy efficiency in smart-grid operation.

Safety Interfaces from the Specialist

EFEN offers optimized safety systems – adapted to the respective field of application. Benefits for your company: Reliable grid operation as well as safe shut-down possibilities in the event of overloads or short circuits. This protects people and investments, maximizing your plant availability.

Certified Quality

EFEN products have a proven track record of high quality: Our quality and environment management is certified in accordance with DIN ISO 9001 and DIN ISO 14001. The AEOF certificate stands for easy order processing within the EU. Furthermore, EFEN’s occupational health and safety management is certified in accordance with OHSAS 18001.





Safety Interfaces for Low and Medium Voltages

Indispensable for safe and reliable power supply: optimally coordinated systems protecting plants against overload and short-circuit. EFEN offers high-availability and low-loss solutions, from the point of generation to the end user.



Metering and Monitoring Consumption

Rising costs and a greater sensitivity for environmental issues are two aspects that turn electric energy into an ever more valuable resource. EFEN metering technology provides measured values and performance indicators that can be processed and monitored by power management systems.



Energy Efficiency Pays Off

In all industries, energy-efficient production is becoming an increasingly significant competitive factor. Devices from EFEN specifically designed for low-loss operation for protection, switching, metering and monitoring help to use electric power efficiently.



Mission and Vision

Efficient Distribution

When it comes to reliable power supply, replacing nuclear power with renewable energy is one of the greatest challenges. EFEN offers end-to-end solutions for safety interfaces – from power generation and power storage to selective consumer control.

Reliable Protection

Reliable protection for people and investments is a key requirement of every energy distribution system. Comprehensive solutions from EFEN ensure maximum safety in all areas of power supply, infrastructure and industry.

Smart Control

Higher energy efficiency reduces peak loads and lowers energy costs. Early-warning systems keep unplanned plant downtimes to a minimum. Smart solutions from EFEN ensure reliable communication and maximum availability of energy distribution systems.



Our Formula for Sustainability: E3 = Ethics, Environment and Energy

Ethics

The Ethics Charta – an action framework with clear values. The successful and sustainable economic development of a company is based on the trust that its customers, suppliers and partners are willing to demonstrate to it. However, this trust must also exist between the company and its employees, and among the employees themselves.

Environment

For EFEN, the reduction of greenhouse gas emissions is a top priority. A study was therefore carried out in 2013, analyzing the three economic areas – the so-called scopes – from the extraction of raw materials right through to the delivery of the finished goods.

Energy

The current global energy demand lies well above 100,000 terawatt hours (= 100,000 billion watt hours) per year. It is anticipated to double by 2050. Around 85 percent of the world's energy demand is still covered by fossil fuels. However, oil and coal reserves are a finite resource, and like everything that is scarce, it will increase in value and price.



The Core of Safe Power Distribution

Grown from our traditional core competence, we at EFEN offer a comprehensive range of fuse-links according to IEC/DIN standards for low-voltage and medium-voltage applications. Our innovative high-tech products protect people and investments and ensure maximum availability.



NH Fuse-Links

Complete range of NH Fuse-links for cable, line, transformer and semiconductor protection. In addition to standard applications, the EFEN range includes various solutions for special applications. NH fuse-links by EFEN comply with national and international standards and regulations such as IEC 60269 and VDE 0636.

Product overview page 10



DC Fuse-Links 10 x 38

EFEN DC fuse-links 10 x 38 have been developed especially for direct-current supplies. They combine high energy density with a compact, space-saving design.

Product overview page 70



D0 Fuse-Links

The D0 fuse-links offer protection within the smallest space and, thanks to state-of-the-art distribution components, perfectly integrate into future systems.

Product overview page 60



HV Fuse-Links

EFEN's general-purpose and back-up fuse-links are a reliable safety interface for transformers, capacitors and high-voltage motors. The range comprises types for indoor, outdoor and oil-submerged applications and is nationally and internationally approved.

Product overview page 74



NH Fuse-Links

Grow from our traditional core competence, we at EFEN offer a comprehensive range of Fuse-Links according to IEC/DIN standards for low-voltage and medium-voltage applications. Innovative high-tech products protect people and investments and ensure maximum availability.

System

The wide range of state-of-the-art NH fuse-links grew from EFEN's traditional core competence, taking it to a leading position in the market, with high technical standards and ensuring a consistently high quality. The EFEN product range offers a wide variety of solutions for virtually any application.

Features

EFEN NH fuse-links comply with national and international standards and regulations such as DIN, VDE and IEC. The fuse-links are available with insulated and with uninsulated gripping lugs. A full range of accessories complements the product range.



NH Fuse-Links

NH Fuse-Links AC 400 up to 690 V gG and gL	page 14
NH Fuse-Links AC 500 V gR	page 25
NH Fuse-Links AC 400 V gTr	page 28
NH Fuse-Links AC 1000 V gB/aM	page 29
NH Fuse-Links AC 1500 V TF	page 30
NH Fuse-Links DC 80 V	page 52
NH Fuse-Links DC 550 V	page 53
NH Fuse-Links DC 1000 V	page 54
NH Accessories for Fuse-Links	page 58
Technical data	page 32

NH Fuse-Link 400 V
with twin indicator



NH Fuse-Links
for industry-specific applications,
e.g. mining



gTr Fuse-Links
for transformer protection



NH Fuse-Links
up to 1500 V AC



gR NH Fuse-Links
for semiconductor protection



Special Fuse-Links
for DC applications



NH Fuse-Links 400 V gG

- Rated voltage: AC 400 V
- Utilization category: gG acc. to VDE 0636-2 and VDE 0636-1
- IEC 60269-2 and IEC 60269-1
- Breaking capacity: 100 kA

► Technical data, page 32



35404-1600

NH Fuse-Links for cable and line protection, 400 V AC gG

Features:

- Twin indicator (size 3, 500 A and 630 A with center indicator)
- Non-insulated metal gripping lug
- Copper fuse element

Designation	Size	Amps	PU	Product designation	Order no.
NH-SI 000 2A GG AC400V AK	000	2	3	NH-SI 000 2A GG AC400V AK	35401-0020
NH-SI 000 4A GG AC400V AK	000	4	3	NH-SI 000 4A GG AC400V AK	35401-0040
NH-SI 000 6A GG AC400V AK	000	6	3	NH-SI 000 6A GG AC400V AK	35401-0060
NH-SI 000 10A GG AC400V AK	000	10	3	NH-SI 000 10A GG AC400V AK	35401-0100
NH-SI 000 16A GG AC400V AK	000	16	3	NH-SI 000 16A GG AC400V AK	35401-0160
NH-SI 000 20A GG AC400V AK	000	20	3	NH-SI 000 20A GG AC400V AK	35401-0200
NH-SI 000 25A GG AC400V AK	000	25	3	NH-SI 000 25A GG AC400V AK	35401-0250
NH-SI 000 32A GG AC400V AK	000	32	3	NH-SI 000 32A GG AC400V AK	35401-0320
NH-SI 000 35A GG AC400V AK	000	35	3	NH-SI 000 35A GG AC400V AK	35401-0350
NH-SI 000 50A GG AC400V AK	000	50	3	NH-SI 000 50A GG AC400V AK	35401-0500
NH-SI 000 63A GG AC400V AK	000	63	3	NH-SI 000 63A GG AC400V AK	35401-0630
NH-SI 000 80A GG AC400V AK	000	80	3	NH-SI 000 80A GG AC400V AK	35401-0800
NH-SI 000 100A GG AC400V AK	000	100	3	NH-SI 000 100A GG AC400V AK	35401-1000
NH-SI 00 63A GG AC400V AK	00	63	3	NH-SI 00 63A GG AC400V AK	35402-0630
NH-SI 00 80A GG AC400V AK	00	80	3	NH-SI 00 80A GG AC400V AK	35402-0800
NH-SI 00 100A GG AC400V AK	00	100	3	NH-SI 00 100A GG AC400V AK	35402-1000
NH-SI 00 125A GG AC400V AK	00	125	3	NH-SI 00 125A GG AC400V AK	35402-1250
NH-SI 00 160A GG AC400V AK	00	160	3	NH-SI 00 160A GG AC400V AK	35402-1600
NH-SI 1/16A GG AC400V AK	1	16	3	NH-SI 1/ 16A GG AC400V AK	35403-0160
NH-SI 1/20A GG AC400V AK	1	20	3	NH-SI 1/ 20A GG AC400V AK	35403-0200
NH-SI 1/25A GG AC400V AK	1	25	3	NH-SI 1/ 25A GG AC400V AK	35403-0250
NH-SI 1/32A GG AC400V AK	1	32	3	NH-SI 1/ 32A GG AC400V AK	35403-0320
NH-SI 1/35A GG AC400V AK	1	35	3	NH-SI 1/ 35A GG AC400V AK	35403-0350
NH-SI 1/40A GG AC400V AK	1	40	3	NH-SI 1/ 40A GG AC400V AK	35403-0400
NH-SI 1/50A GG AC400V AK	1	50	3	NH-SI 1/ 50A GG AC400V AK	35403-0500
NH-SI 1/63A GG AC400V AK	1	63	3	NH-SI 1/ 63A GG AC400V AK	35403-0630
NH-SI 1/80A GG AC400V AK	1	80	3	NH-SI 1/ 80A GG AC400V AK	35403-0800
NH-SI 1/100A GG AC400V AK	1	100	3	NH-SI 1/ 100A GG AC400V AK	35403-1000
NH-SI 1 125A GG AC400V AK	1	125	3	NH-SI 1 125A GG AC400V AK	35403-1250
NH-SI 1 160A GG AC400V AK	1	160	3	NH-SI 1 160A GG AC400V AK	35403-1600
NH-SI 1 200A GG AC400V AK	1	200	3	NH-SI 1 200A GG AC400V AK	35403-2000
NH-SI 1 224A GG AC400V AK	1	224	3	NH-SI 1 224A GG AC400V AK	35403-2240
NH-SI 1 250A GG AC400V AK	1	250	3	NH-SI 1 250A GG AC400V AK	35403-2500
NH-SI 2/35A GG AC400V AK	2	35	3	NH-SI 2/ 35A GG AC400V AK	35404-0350
NH-SI 2/50A GG AC400V AK	2	50	3	NH-SI 2/ 50A GG AC400V AK	35404-0500
NH-SI 2/63A GG AC400V AK	2	63	3	NH-SI 2/ 63A GG AC400V AK	35404-0630
NH-SI 2/80A GG AC400V AK	2	80	3	NH-SI 2/ 80A GG AC400V AK	35404-0800
NH-SI 2/100A GG AC400V AK	2	100	3	NH-SI 2/ 100A GG AC400V AK	35404-1000
NH-SI 2/125A GG AC400V AK	2	125	3	NH-SI 2/ 125A GG AC400V AK	35404-1250
NH-SI 2/160A GG AC400V AK	2	160	3	NH-SI 2/ 160A GG AC400V AK	35404-1600
NH-SI 2/200A GG AC400V AK	2	200	3	NH-SI 2/ 200A GG AC400V AK	35404-2000
NH-SI 2/224A GG AC400V AK	2	224	3	NH-SI 2/ 224A GG AC400V AK	35404-2240
NH-SI 2/250A GG AC400V AK	2	250	3	NH-SI 2/ 250A GG AC400V AK	35404-2500
NH-SI 2 315A GG AC400V AK	2	315	3	NH-SI 2 315A GG AC400V AK	35404-3150
NH-SI 2 355A GG AC400V AK	2	355	3	NH-SI 2 355A GG AC400V AK	35404-3550
NH-SI 2 400A GG AC400V AK	2	400	3	NH-SI 2 400A GG AC400V AK	35404-4000
NH-SI 3/250A GG AC400V AK	3	250	1	NH-SI 3/ 250A GG AC400V AK	35405-2500
NH-SI 3/300A GG AC400V AK	3	300	1	NH-SI 3/ 300A GG AC400V AK	35405-3000
NH-SI 3/315A GG AC400V AK	3	315	1	NH-SI 3/ 315A GG AC400V AK	35405-3150
NH-SI 3/400A GG AC400V AK	3	400	1	NH-SI 3/ 400A GG AC400V AK	35405-4000
NH-SI 3 500A GG AC400V MA	3	500	1	NH-SI 3 500A GG AC400V Ma	35405-5000
NH-SI 3 630A GG AC400V MA	3	630	1	NH-SI 3 630A GG AC400V Ma	35405-6300

NH Fuse-Links 400V gG

- Rated voltage: AC 400 V
- Utilization category: gG acc. to VDE 0636-2 and VDE 0636-1
- IEC 60269-2 and IEC 60269-1
- Breaking capacity: 100kA

► Technical data, page 32



35407-1600

NH Fuse-Links for cable and line protection, 400 V AC gG

Features:

- Twin indicator
- Insulated metal gripping lug
- Copper fuse element

Designation	Size	Amps	PU	Product designation	Order no.
NH-SI 000 2A GG AC400V LI AK	000	2	3	NH-SI 000 2A GG AC400V LI AK	35406-0020
NH-SI 000 4A GG AC400V LI AK	000	4	3	NH-SI 000 4A GG AC400V LI AK	35406-0040
NH-SI 000 6A GG AC400V LI AK	000	6	3	NH-SI 000 6A GG AC400V LI AK	35406-0060
NH-SI 000 10A GG AC400V LI AK	000	10	3	NH-SI 000 10A GG AC400V LI AK	35406-0100
NH-SI 000 16A GG AC400V LI AK	000	16	3	NH-SI 000 16A GG AC400V LI AK	35406-0160
NH-SI 000 20A GG AC400V LI AK	000	20	3	NH-SI 000 20A GG AC400V LI AK	35406-0200
NH-SI 000 25A GG AC400V LI AK	000	25	3	NH-SI 000 25A GG AC400V LI AK	35406-0250
NH-SI 000 32A GG AC400V LI AK	000	32	3	NH-SI 000 32A GG AC400V LI AK	35406-0320
NH-SI 000 35A GG AC400V LI AK	000	35	3	NH-SI 000 35A GG AC400V LI AK	35406-0350
NH-SI 000 40A GG AC400V LI AK	000	40	3	NH-SI 000 40A GG AC400V LI AK	35406-0400
NH-SI 000 50A GG AC400V LI AK	000	50	3	NH-SI 000 50A GG AC400V LI AK	35406-0500
NH-SI 000 63A GG AC400V LI AK	000	63	3	NH-SI 000 63A GG AC400V LI AK	35406-0630
NH-SI 000 80A GG AC400V LI AK	000	80	3	NH-SI 000 80A GG AC400V LI AK	35406-0800
NH-SI 000 100A GG AC400V LI AK	000	100	3	NH-SI 000 100A GG AC400V LI AK	35406-1000
NH-SI 00 63A GG AC400V LI AK	00	63	3	NH-SI 00 63A GG AC400V LI AK	35407-0630
NH-SI 00 80A GG AC400V LI AK	00	80	3	NH-SI 00 80A GG AC400V LI AK	35407-0800
NH-SI 00 100A GG AC400V LI AK	00	100	3	NH-SI 00 100A GG AC400V LI AK	35407-1000
NH-SI 00 125A GG AC400V LI AK	00	125	3	NH-SI 00 125A GG AC400V LI AK	35407-1250
NH-SI 00 160A GG AC400V LI AK	00	160	3	NH-SI 00 160A GG AC400V LI AK	35407-1600
NH-SI 1/ 16A GG AC400V LI AK	1	16	3	NH-SI 1/ 16A GG AC400V LI AK	35408-0160
NH-SI 1/ 20A GG AC400V LI AK	1	20	3	NH-SI 1/ 20A GG AC400V LI AK	35408-0200
NH-SI 1/ 25A GG AC400V LI AK	1	25	3	NH-SI 1/ 25A GG AC400V LI AK	35408-0250
NH-SI 1/ 32A GG AC400V LI AK	1	32	3	NH-SI 1/ 32A GG AC400V LI AK	35408-0320
NH-SI 1/ 35A GG AC400V LI AK	1	35	3	NH-SI 1/ 35A GG AC400V LI AK	35408-0350
NH-SI 1/ 40A GG AC400V LI AK	1	40	3	NH-SI 1/ 40A GG AC400V LI AK	35408-0400
NH-SI 1/ 50A GG AC400V LI AK	1	50	3	NH-SI 1/ 50A GG AC400V LI AK	35408-0500
NH-SI 1/ 63A GG AC400V LI AK	1	63	3	NH-SI 1/ 63A GG AC400V LI AK	35408-0630
NH-SI 1/ 80A GG AC400V LI AK	1	80	3	NH-SI 1/ 80A GG AC400V LI AK	35408-0800
NH-SI 1/ 100A GG AC400V LI AK	1	100	3	NH-SI 1/ 100A GG AC400V LI AK	35408-1000
NH-SI 1 125A GG AC400V LI AK	1	125	3	NH-SI 1 125A GG AC400V LI AK	35408-1250
NH-SI 1 160A GG AC400V LI AK	1	160	3	NH-SI 1 160A GG AC400V LI AK	35408-1600
NH-SI 1 200A GG AC400V LI AK	1	200	3	NH-SI 1 200A GG AC400V LI AK	35408-2000
NH-SI 1 224A GG AC400V LI AK	1	224	3	NH-SI 1 224A GG AC400V LI AK	35408-2240
NH-SI 1 250A GG AC400V LI AK	1	250	3	NH-SI 1 250A GG AC400V LI AK	35408-2500

NH Fuse-Links 400V gG

- Rated voltage: AC 400V
- Utilization category: gG acc. to VDE 0636-2 and VDE 0636-1
- IEC 60269-2 and IEC 60269-1
- Breaking capacity: 100kA

► Technical data, page 32



35407-1600

NH Fuse-Links for cable and line protection, 400V AC gG

Features:

- Twin indicator (size 3, 500 A and 630 A with center indicator)
- Insulated metal gripping lug
- Copper fuse element

Designation	Size	Amps	PU	Product designation	Order no.
NH-SI 2/ 35A GG AC400V LI AK	2	35	3	NH-SI 2/ 35A GG AC400V LI AK	35409-0350
NH-SI 2/ 50A GG AC400V LI AK	2	50	3	NH-SI 2/ 50A GG AC400V LI AK	35409-0500
NH-SI 2/ 63A GG AC400V LI AK	2	63	3	NH-SI 2/ 63A GG AC400V LI AK	35409-0630
NH-SI 2/ 80A GG AC400V LI AK	2	80	3	NH-SI 2/ 80A GG AC400V LI AK	35409-0800
NH-SI 2/ 100A GG AC400V LI AK	2	100	3	NH-SI 2/ 100A GG AC400V LI AK	35409-1000
NH-SI 2/ 125A GG AC400V LI AK	2	125	3	NH-SI 2/ 125A GG AC400V LI AK	35409-1250
NH-SI 2/ 160A GG AC400V LI AK	2	160	3	NH-SI 2/ 160A GG AC400V LI AK	35409-1600
NH-SI 2/ 200A GG AC400V LI AK	2	200	3	NH-SI 2/ 200A GG AC400V LI AK	35409-2000
NH-SI 2/ 224A GG AC400V LI AK	2	224	3	NH-SI 2/ 224A GG AC400V LI AK	35409-2240
NH-SI 2/ 250A GG AC400V LI AK	2	250	3	NH-SI 2/ 250A GG AC400V LI AK	35409-2500
NH-SI 2 315A GG AC400V LI AK	2	315	3	NH-SI 2 315A GG AC400V LI AK	35409-3150
NH-SI 2 355A GG AC400V LI AK	2	355	3	NH-SI 2 355A GG AC400V LI AK	35409-3550
NH-SI 2 400A GG AC400V LI AK	2	400	3	NH-SI 2 400A GG AC400V LI AK	35409-4000
NH-SI 3/ 250A GG AC400V LI AK	3	250	1	NH-SI 3/ 250A GG AC400V LI AK	35410-2500
NH-SI 3/ 300A GG AC400V LI AK	3	300	1	NH-SI 3/ 300A GG AC400V LI AK	35410-3000
NH-SI 3/ 315A GG AC400V LI AK	3	315	1	NH-SI 3/ 315A GG AC400V LI AK	35410-3150
NH-SI 3/ 400A GG AC400V LI AK	3	400	1	NH-SI 3/ 400A GG AC400V LI AK	35410-4000
NH-SI 3 500A GG AC400V LI MA	3	500	1	NH-SI 3 500A GG AC400V LI Ma	35410-5000
NH-SI 3 630A GG AC400V LI MA	3	630	1	NH-SI 3 630A GG AC400V LI Ma	35410-6300

NH Fuse-Links 500 V gG

- Rated voltage: AC 500 V
- Utilization category: gG acc. to VDE 0636-2 and VDE 0636-1
- IEC 60269-2
- Breaking capacity AC: 120 kA
- Breaking capacity DC: see technical data

► Technical data, page 36



35000-0800

NH Fuse-Links for cable and line protection, 500 V AC gG

Features:

- Twin indicator
- Non-insulated metal gripping lug
- Copper fuse element

Designation	Size	Amps	PU	Product designation	Order no.
NH-SI 000 2A GG AC500V AK	000	2	3	NH-SI 000 2A GG AC500V AK	35000-0020
NH-SI 000 4,0A GG AC500V AK	000	4	3	NH-SI 000 4,0A GG AC500V AK	35000-0040
NH-SI 000 6A GG AC500V AK	000	6	3	NH-SI 000 6A GG AC500V AK	35000-0060
NH-SI 000 10A GG AC500V AK	000	10	3	NH-SI 000 10A GG AC500V AK	35000-0100
NH-SI 000 16A GG AC500V AK	000	16	3	NH-SI 000 16A GG AC500V AK	35000-0160
NH-SI 000 20A GG AC500V AK	000	20	3	NH-SI 000 20A GG AC500V AK	35000-0200
NH-SI 000 25A GG AC500V AK	000	25	3	NH-SI 000 25A GG AC500V AK	35000-0250
NH-SI 000 32A GG AC500V AK	000	32	3	NH-SI 000 32A GG AC500V AK	35000-0320
NH-SI 000 35A GG AC500V AK	000	35	3	NH-SI 000 35A GG AC500V AK	35000-0350
NH-SI 000 40A GG AC500V AK	000	40	3	NH-SI 000 40A GG AC500V AK	35000-0400
NH-SI 000 50A GG AC500V AK	000	50	3	NH-SI 000 50A GG AC500V AK	35000-0500
NH-SI 000 63A GG AC500V AK	000	63	3	NH-SI 000 63A GG AC500V AK	35000-0630
NH-SI 000 80A GG AC500V AK	000	80	3	NH-SI 000 80A GG AC500V AK	35000-0800
NH-SI 000 100A GG AC500V AK	000	100	3	NH-SI 000 100A GG AC500V AK	35000-1000
NH-SI 00 25A GG AC500V AK	00	16	3	NH-SI 00 16A GG AC500V AK	35011-0050
NH-SI 00 25A GG AC500V AK	00	20	3	NH-SI 00 20A GG AC500V AK	35011-0060
NH-SI 00 25A GG AC500V AK	00	25	3	NH-SI 00 25A GG AC500V AK	35011-0070
NH-SI 00 32A GG AC500V AK	00	32	3	NH-SI 00 32A GG AC500V AK	35011-0080
NH-SI 00 35A GG AC500V AK	00	35	3	NH-SI 00 35A GG AC500V AK	35011-0090
NH-SI 00 40A GG AC500V AK	00	40	3	NH-SI 00 40A GG AC500V AK	35011-0100
NH-SI 00 50A GG AC500V AK	00	50	3	NH-SI 00 50A GG AC500V AK	35011-0110
NH-SI 00 63A GG AC500V AK	00	63	3	NH-SI 00 63A GG AC500V AK	35011-0120
NH-SI 00 80A GG AC500V AK	00	80	3	NH-SI 00 80A GG AC500V AK	35011-0130
NH-SI 00 100A GG AC500V AK	00	100	3	NH-SI 00 100A GG AC500V AK	35011-0140
NH-SI 00 125A GG AC500V AK	00	125	3	NH-SI 00 125A GG AC500V AK	35011-0150
NH-SI 00 160A GG AC500V AK	00	160	3	NH-SI 00 160A GG AC500V AK	35011-1090
NH-SI 1/25A GG AC500V AK	1	25	3	NH-SI 1/ 25A GG AC500V AK	35035-0050
NH-SI 1/32A GG AC500V AK	1	32	3	NH-SI 1/ 32A GG AC500V AK	35035-1220
NH-SI 1/35A GG AC500V AK	1	35	3	NH-SI 1/ 35A GG AC500V AK	35035-0060
NH-SI 1/40A GG AC500V AK	1	40	3	NH-SI 1/ 40A GG AC500V AK	35035-1230
NH-SI 1/50A GG AC500V AK	1	50	3	NH-SI 1/ 50A GG AC500V AK	35035-0070
NH-SI 1/63A GG AC500V AK	1	63	3	NH-SI 1/ 63A GG AC500V AK	35035-0080
NH-SI 1/80A GG AC500V AK	1	80	3	NH-SI 1/ 80A GG AC500V AK	35035-0090
NH-SI 1/100A GG AC500V AK	1	100	3	NH-SI 1/ 100A GG AC500V AK	35035-0100
NH-SI 1/125A GG AC500V AK	1	125	3	NH-SI 1 125A GG AC500V AK	35035-0110
NH-SI 1/160A GG AC500V AK	1	160	3	NH-SI 1 160A GG AC500V AK	35035-0120
NH-SI 1 200A GG AC500V AK	1	200	3	NH-SI 1 200A GG AC500V AK	35035-0130
NH-SI 1 224A GG AC500V AK	1	224	3	NH-SI 1 224A GG AC500V AK	35035-0140
NH-SI 1 250A GG AC500V AK	1	250	3	NH-SI 1 250A GG AC500V AK	35035-0150

NH Fuse-Links 500 V gG

- Rated voltage: AC 500 V
- Utilization category: gG acc. to VDE 0636-2 and VDE 0636-1
- IEC 60269 -2
- Breaking capacity AC: 120 kA
- Breaking capacity DC: see technical data

► Technical data, page 36



35054-0150

NH Fuse-Links for cable and line protection, 500 V AC gG

Features:

- Twin indicator (size 4a with center indicator)
- Non-insulated metal gripping lug
- Copper fuse element

Designation	Size	Amps	PU	Product designation	Order no.
NH-SI 2/25A GG AC500V AK	2	25	3	NH-SI 2/ 25A GG AC500V AK	35054-0010
NH-SI 2/35A GG AC500V AK	2	35	3	NH-SI 2/ 35A GG AC500V AK	35054-0020
NH-SI 2/50A GG AC500V AK	2	50	3	NH-SI 2/ 50A GG AC500V AK	35054-0030
NH-SI 2/63A GG AC500V AK	2	63	3	NH-SI 2/ 63A GG AC500V AK	35054-0040
NH-SI 2/80A GG AC500V AK	2	80	3	NH-SI 2/ 80A GG AC500V AK	35054-0050
NH-SI 2/100A GG AC500V AK	2	100	3	NH-SI 2/ 100A GG AC500V AK	35054-0060
NH-SI 2/125A GG AC500V AK	2	125	3	NH-SI 2/ 125A GG AC500V AK	35054-0070
NH-SI 2/160A GG AC500V AK	2	160	3	NH-SI 2/ 160A GG AC500V AK	35054-0080
NH-SI 2/200A GG AC500V AK	2	200	3	NH-SI 2/ 200A GG AC500V AK	35054-0090
NH-SI 2/224A GG AC500V AK	2	224	3	NH-SI 2/ 224A GG AC500V AK	35054-0100
NH-SI 2/250A GG AC500V AK	2	250	3	NH-SI 2/ 250A GG AC500V AK	35054-0110
NH-SI 2 300A GG AC500V AK	2	300	3	NH-SI 2 300A GG AC500V AK	35054-0120
NH-SI 2 315A GG AC500V AK	2	315	3	NH-SI 2 315A GG AC500V AK	35054-0130
NH-SI 2 355A GG AC500V AK	2	355	3	NH-SI 2 355A GG AC500V AK	35054-0140
NH-SI 2 400A GG AC500V AK	2	400	3	NH-SI 2 400A GG AC500V AK	35054-0150
NH-SI 3/63A GG AC500V AK	3	63	3	NH-SI 3/ 63A GG AC500V AK	35078-0340
NH-SI 3/80A GG AC500V AK	3	80	3	NH-SI 3/ 80A GG AC500V AK	35078-0350
NH-SI 3/100A GG AC500V AK	3	100	3	NH-SI 3/ 100A GG AC500V AK	35078-0360
NH-SI 3/125A GG AC500V AK	3	125	3	NH-SI 3/ 125A GG AC500V AK	35078-0370
NH-SI 3/160A GG AC500V AK	3	160	3	NH-SI 3/ 160A GG AC500V AK	35078-0380
NH-SI 3/200A GG AC500V AK	3	200	3	NH-SI 3/ 200A GG AC500V AK	35078-0390
NH-SI 3/224A GG AC500V AK	3	224	3	NH-SI 3/ 224A GG AC500V AK	35078-0400
NH-SI 3/250A GG AC500V AK	3	250	3	NH-SI 3/ 250A GG AC500V AK	35078-0410
NH-SI 3/300A GG AC500V AK	3	300	3	NH-SI 3/ 300A GG AC500V AK	35078-0190
NH-SI 3/315A GG AC500V AK	3	315	3	NH-SI 3/ 315A GG AC500V AK	35078-0010
NH-SI 3/355A GG AC500V AK	3	355	3	NH-SI 3/ 355A GG AC500V AK	35078-0020
NH-SI 3/400A GG AC500V AK	3	400	3	NH-SI 3/ 400A GG AC500V AK	35078-0030
NH-SI 3 500A GG AC500V AK	3	500	3	NH-SI 3 500A GG AC500V AK	35078-0050
NH-SI 3 630A GG AC500V AK	3	630	3	NH-SI 3 630A GG AC500V AK	35078-0060
NH-SI 4A 400A GG AC500V	4a	400	3	NH-SI 4A 400A GG AC500V	35097-0120
NH-SI 4A 500A GG AC500V	4a	500	3	NH-SI 4A 500A GG AC500V	35097-0010
NH-SI 4A 630A GG AC500V	4a	630	3	NH-SI 4A 630A GG AC500V	35097-0020
NH-SI 4A 800A GG AC500V	4a	800	1	NH-SI 4A 800A GG AC500V	35097-0030
NH-SI 4A 1000A GG AC500V	4a	1000	1	NH-SI 4A 1000A GG AC500V	35097-0040
NH-SI 4A 1250A GG AC500V	4a	1250	1	NH-SI 4A 1250A GG AC500V	35097-0050
NH-SI 4A 1600A GG AC500V	4a	1600	1	NH-SI 4A 1600A GG AC500V	35097-0110

NH Fuse-Links 500 V gG

- Rated voltage: AC 500 V
- Utilization category: gG acc. to VDE 0636-2 and VDE 0636-1
- IEC 60269 -2
- Breaking capacity AC: 120 kA
- Breaking capacity DC: see technical data

► Technical data, page 36



35001-1000

NH Fuse-Links for cable and line protection, 500 V AC gG

Features:

- Twin indicator
- Insulated metal gripping lug
- Copper fuse element

Designation	Size	Amps	PU	Product designation	Order no.
NH-SI 000 2A GG AC500V LI AK	000	2	10	NH-SI 000 2A GG AC500V LI AK	35001-0020
NH-SI 000 4,0A GG AC500V LI AK	000	4	10	NH-SI 000 4,0A GG AC500V LI AK	35001-0040
NH-SI 000 6A GG AC500V LI AK	000	6	10	NH-SI 000 6A GG AC500V LI AK	35001-0060
NH-SI 000 10A GG AC500V LI AK	000	10	10	NH-SI 000 10A GG AC500V LI AK	35001-0100
NH-SI 000 16A GG AC500V LI AK	000	16	10	NH-SI 000 16A GG AC500V LI AK	35001-0160
NH-SI 000 20A GG AC500V LI AK	000	20	10	NH-SI 000 20A GG AC500V LI AK	35001-0200
NH-SI 000 25A GG AC500V LI AK	000	25	10	NH-SI 000 25A GG AC500V LI AK	35001-0250
NH-SI 000 32A GG AC500V LI AK	000	32	10	NH-SI 000 32A GG AC500V LI AK	35001-0320
NH-SI 000 35A GG AC500V LI AK	000	35	10	NH-SI 000 35A GG AC500V LI AK	35001-0350
NH-SI 000 40A GG AC500V LI AK	000	40	10	NH-SI 000 40A GG AC500V LI AK	35001-0400
NH-SI 000 50A GG AC500V LI AK	000	50	10	NH-SI 000 50A GG AC500V LI AK	35001-0500
NH-SI 000 63A GG AC500V LI AK	000	63	10	NH-SI 000 63A GG AC500V LI AK	35001-0630
NH-SI 000 80A GG AC500V LI AK	000	80	10	NH-SI 000 80A GG AC500V LI AK	35001-0800
NH-SI 000 100A GG AC500V LI AK	000	100	10	NH-SI 000 100A GG AC500V LI AK	35001-1000
NH-SI 00 25A GG AC500V LI AK	00	25	3	NH-SI 00 25A GG AC500V LI AK	35165-0070
NH-SI 00 32A GG AC500V LI AK	00	32	3	NH-SI 00 32A GG AC500V LI AK	35165-0080
NH-SI 00 35A GG AC500V LI AK	00	35	3	NH-SI 00 35A GG AC500V LI AK	35165-0090
NH-SI 00 40A GG AC500V LI AK	00	40	3	NH-SI 00 40A GG AC500V LI AK	35165-0100
NH-SI 00 50A GG AC500V LI AK	00	50	3	NH-SI 00 50A GG AC500V LI AK	35165-0110
NH-SI 00 63A GG AC500V LI AK	00	63	3	NH-SI 00 63A GG AC500V LI AK	35165-0120
NH-SI 00 80A GG AC500V LI AK	00	80	3	NH-SI 00 80A GG AC500V LI AK	35165-0130
NH-SI 00 100A GG AC500V LI AK	00	100	3	NH-SI 00 100A GG AC500V LI AK	35165-0140
NH-SI 00 125A GG AC500V LI AK	00	125	3	NH-SI 00 125A GG AC500V LI AK	35165-0150
NH-SI 00 160A GG AC500V LI AK	00	160	3	NH-SI 00 160A GG AC500V LI AK	35165-0160
NH-SI 1/ 25A GG AC500V LI AK	1	25	3	NH-SI 1/ 25A GG AC500V LI AK	35204-0050
NH-SI 1/ 32A GG AC500V LI AK	1	32	3	NH-SI 1/ 32A GG AC500V LI AK	35204-0160
NH-SI 1/ 35A GG AC500V LI AK	1	35	3	NH-SI 1/ 35A GG AC500V LI AK	35204-0060
NH-SI 1/ 40A GG AC500V LI AK	1	40	3	NH-SI 1/ 40A GG AC500V LI AK	35204-0170
NH-SI 1/ 50A GG AC500V LI AK	1	50	3	NH-SI 1/ 50A GG AC500V LI AK	35204-0070
NH-SI 1/ 63A GG AC500V LI AK	1	63	3	NH-SI 1/ 63A GG AC500V LI AK	35204-0080
NH-SI 1/ 80A GG AC500V LI AK	1	80	3	NH-SI 1/ 80A GG AC500V LI AK	35204-0090
NH-SI 1/ 100A GG AC500V LI AK	1	100	3	NH-SI 1/ 100A GG AC500V LI AK	35204-0100
NH-SI 1 125A GG AC500V LI AK	1	125	3	NH-SI 1 125A GG AC500V LI AK	35204-0110
NH-SI 1 160A GG AC500V LI AK	1	160	3	NH-SI 1 160A GG AC500V LI AK	35204-0120
NH-SI 1 200A GG AC500V LI AK	1	200	3	NH-SI 1 200A GG AC500V LI AK	35204-0130
NH-SI 1 224A GG AC500V LI AK	1	224	3	NH-SI 1 224A GG AC500V LI AK	35204-0140
NH-SI 1 250A GG AC500V LI AK	1	250	3	NH-SI 1 250A GG AC500V LI AK	35204-0150
NH-SI 2/ 63A GG AC500V LI AK	2	63	3	NH-SI 2/ 63A GG AC500V LI AK	35116-0040
NH-SI 2/ 80A GG AC500V LI AK	2	80	3	NH-SI 2/ 80A GG AC500V LI AK	35116-0050
NH-SI 2/ 100A GG AC500V LI AK	2	100	3	NH-SI 2/ 100A GG AC500V LI AK	35116-0060
NH-SI 2/ 125A GG AC500V LI AK	2	125	3	NH-SI 2/ 125A GG AC500V LI AK	35116-0070
NH-SI 2/ 160A GG AC500V LI AK	2	160	3	NH-SI 2/ 160A GG AC500V LI AK	35116-0080
NH-SI 2/ 200A GG AC500V LI AK	2	200	3	NH-SI 2/ 200A GG AC500V LI AK	35116-0090
NH-SI 2/ 224A GG AC500V LI AK	2	224	3	NH-SI 2/ 224A GG AC500V LI AK	35116-0100
NH-SI 2/ 250A GG AC500V LI AK	2	250	3	NH-SI 2/ 250A GG AC500V LI AK	35116-0110
NH-SI 2 300A GG AC500V LI AK	2	300	3	NH-SI 2 300A GG AC500V LI AK	35116-0120
NH-SI 2 315A GG AC500V LI AK	2	315	3	NH-SI 2 315A GG AC500V LI AK	35116-0130
NH-SI 2 355A GG AC500V LI AK	2	355	3	NH-SI 2 355A GG AC500V LI AK	35116-0140
NH-SI 2 400A GG AC500V LI AK	2	400	3	NH-SI 2 400A GG AC500V LI AK	35116-0150

NH Fuse-Links 500 V gG

- Rated voltage: AC 500 V
- Utilization category: gG acc. to VDE 0636-2 and VDE 0636-1
- IEC 60269-2
- Breaking capacity AC: 120 kA
- Breaking capacity DC: see technical data

► Technical data, page 36



35001-1000

NH Fuse-Links for cable and line protection, 500 V AC gG

Features:

- Twin indicator
- Insulated metal gripping lug
- Copper fuse element

Designation	Size	Amps	PU	Product designation	Order no.
NH-SI 3/ 100A gG AC500V LI AK	3	100	3	NH-SI 3/ 100A gG AC500V LI AK	35420-1000
NH-SI 3/ 125A gG AC500V LI AK	3	125	3	NH-SI 3/ 125A gG AC500V LI AK	35420-1250
NH-SI 3/ 160A gG AC500V LI AK	3	160	3	NH-SI 3/ 160A gG AC500V LI AK	35420-1600
NH-SI 3/ 200A gG AC500V LI AK	3	200	3	NH-SI 3/ 200A gG AC500V LI AK	35420-2000
NH-SI 3/ 224A gG AC500V LI AK	3	224	3	NH-SI 3/ 224A gG AC500V LI AK	35420-2240
NH-SI 3/ 250A gG AC500V LI AK	3	250	3	NH-SI 3/ 250A gG AC500V LI AK	35420-2500
NH-SI 3/ 300A gG AC500V LI AK	3	300	3	NH-SI 3/ 300A gG AC500V LI AK	35420-3000
NH-SI 3/ 315A GG AC500V LI AK	3	315	3	NH-SI 3/ 315A GG AC500V LI AK	35420-3150
NH-SI 3/ 355A GG AC500V LI AK	3	355	3	NH-SI 3/ 355A GG AC500V LI AK	35420-3550
NH-SI 3/ 400A GG AC500V LI AK	3	400	3	NH-SI 3/ 400A GG AC500V LI AK	35420-4000
NH-SI 3 425A GG AC500V LI AK	3	425	3	NH-SI 3 425A GG AC500V LI AK	35420-4250
NH-SI 3 425A GG AC500V LI AK	3	425	3	NH-SI 3 425A GG AC500V LI AK	35420-5000
NH-SI 3 630A GG AC500V LI AK	3	630	3	NH-SI 3 630A GG AC500V LI AK	35420-6300

NH Fuse-Links 500 V gL

- Rated voltage: AC 500 V / DC 440 V*
- Utilization category: gL acc. to VDE 0636-21 and VDE 0636-1
- IEC 60269-2
- Breaking capacity AC: 120 kA
- Breaking capacity DC: see technical data

► Technical data, page 36



35207-0130

NH Fuse-Links for cable and line protection, AC 500 V gL

Features:

- Striker pin for fuse monitoring
- Non-insulated metal gripping lug
- Copper fuse element

Designation	Size	Amps	PU	Product designation	Order no.
NH-Si 00 6A gL SM	00	6	10	NH-SI 00 6A GL AC500V SM	35207-0010
NH-Si 00 10A gL SM	00	10	10	NH-SI 00 10A GL AC500V SM	35207-0020
NH-Si 00 16A gL SM	00	16	10	NH-SI 00 16A GL AC500V SM	35207-0030
NH-Si 00 20A gL SM	00	20	10	NH-SI 00 20A GL AC500V SM	35207-0040
NH-Si 00 25A gL SM	00	25	10	NH-SI 00 25A GL AC500V SM	35207-0050
NH-Si 00 32A gL SM	00	32	10	NH-SI 00 32A GL AC500V SM	35207-0060
NH-Si 00 35A gL SM	00	35	10	NH-SI 00 35A GL AC500V SM	35207-0070
NH-Si 00 40A gL SM	00	40	10	NH-SI 00 40A GL AC500V SM	35207-0080
NH-Si 00 50A gL SM	00	50	10	NH-SI 00 50A GL AC500V SM	35207-0090
NH-Si 00 63A gL SM	00	63	10	NH-SI 00 63A GL AC500V SM	35207-0100
NH-Si 00 80A gL SM	00	80	10	NH-SI 00 80A GL AC500V SM	35207-0110
NH-Si 00 100A gL SM	00	100	10	NH-SI 00 100A GL AC500V SM	35207-0120
NH-Si 00 125A gL SM	00	125	10	NH-SI 00 125A GL AC500V SM	35207-0130

NH Fuse-Links 500 V gL

- Rated voltage: AC 500 V / DC 440 V*
- Utilization category: gL acc. to VDE 0636-21 and VDE 0636-1
- IEC 60269-2
- Breaking capacity AC: 120 kA
- Breaking capacity DC: see technical data

► Technical data, page 36



35010-0160

NH Fuse-Links for cable and line protection, AC 500 V gL

Features:

- Center indicator
- Non-insulated metal gripping lug
- Pure silver fuse element

Designation	Size	Amps	PU	Product designation	Order no.
NH-SI 00 2A GL AG AC500V	00	2	10	NH-SI 00 2A GL AG AC500V	35010-0010
NH-SI 00 4A GL AG AC500V	00	4	10	NH-SI 00 4A GL AG AC500V	35010-0020
NH-SI 00 6A GL AG AC500V	00	6	10	NH-SI 00 6A GL AG AC500V	35010-0030
NH-SI 00 10A GL AG AC500V	00	10	10	NH-SI 00 10A GL AG AC500V	35010-0040
NH-SI 00 16A GL AG AC500V	00	16	10	NH-SI 00 16A GL AG AC500V	35010-0050
NH-SI 00 20A GL AG AC500V	00	20	10	NH-SI 00 20A GL AG AC500V	35010-0060
NH-SI 00 25A GL AG AC500V	00	25	10	NH-SI 00 25A GL AG AC500V	35010-0070
NH-SI 00 32A GL AG AC500V	00	32	10	NH-SI 00 32A GL AG AC500V	35010-0080
NH-SI 00 35A GL AG AC500V	00	35	10	NH-SI 00 35A GL AG AC500V	35010-0090
NH-SI 00 40A GL AG AC500V	00	40	10	NH-SI 00 40A GL AG AC500V	35010-0100
NH-SI 00 50A GL AG AC500V	00	50	10	NH-SI 00 50A GL AG AC500V	35010-0110
NH-SI 00 63A GL AG AC500V	00	63	10	NH-SI 00 63A GL AG AC500V	35010-0120
NH-SI 00 80A GL AG AC500V	00	80	10	NH-SI 00 80A GL AG AC500V	35010-0130
NH-SI 00 100A GL AG AC500V	00	100	10	NH-SI 00 100A GL AG AC500V	35010-0140
NH-SI 00 125A GL AG AC500V	00	125	10	NH-SI 00 125A GL AG AC500V	35010-0150
NH-SI 00 160A GL AG AC500V	00	160	10	NH-SI 00 160A GL AG AC500V	35010-0160
NH-SI 1/6A GL AG AC500V	1	6	3	NH-SI 1/ 6A GL AG AC500V	35034-0010
NH-SI 1/10A GL AG AC500V	1	10	3	NH-SI 1/ 10A GL AG AC500V	35034-0020
NH-SI 1/16A GL AG AC500V	1	16	3	NH-SI 1/ 16A GL AG AC500V	35034-0030
NH-SI 1/20A GL AG AC500V	1	20	3	NH-SI 1/ 20A GL AG AC500V	35034-0040
NH-SI 1/25A GL AG AC500V	1	25	3	NH-SI 1/ 25A GL AG AC500V	35034-0050
NH-SI 1/35A GL AG AC500V	1	35	3	NH-SI 1/ 35A GL AG AC500V	35034-0060
NH-SI 1/50A GL AG AC500V	1	50	3	NH-SI 1/ 50A GL AG AC500V	35034-0070
NH-SI 1/63A GL AG AC500V	1	63	3	NH-SI 1/ 63A GL AG AC500V	35034-0080
NH-SI 1/80A GL AG AC500V	1	80	3	NH-SI 1/ 80A GL AG AC500V	35034-0090
NH-SI 1/100A GL AG AC500V	1	100	3	NH-SI 1/ 100A GL AG AC500V	35034-0100
NH-SI 1/125A GL AG AC500V	1	125	3	NH-SI 1/ 125A GL AG AC500V	35034-0110
NH-SI 1 160A GL AG AC500V	1	160	3	NH-SI 1 160A GL AG AC500V	35034-0120
NH-SI 1 200A GL AG AC500V	1	200	3	NH-SI 1 200A GL AG AC500V	35034-0130
NH-SI 1 224A GL AG AC500V	1	224	3	NH-SI 1 224A GL AG AC500V	35034-0140
NH-SI 1 250A GL AG AC500V	1	250	3	NH-SI 1 250A GL AG AC500V	35034-0150
NH-SI 2/25A GL AG AC500V	2	25	3	NH-SI 2/ 25A GL AG AC500V	35053-0010
NH-SI 2/35A GL AG AC500V	2	35	3	NH-SI 2/ 35A GL AG AC500V	35053-0020
NH-SI 2/50A GL AG AC500V	2	50	3	NH-SI 2/ 50A GL AG AC500V	35053-0030
NH-SI 2/63A GL AG AC500V	2	63	3	NH-SI 2/ 63A GL AG AC500V	35053-0040
NH-SI 2/80A GL AG AC500V	2	80	3	NH-SI 2/ 80A GL AG AC500V	35053-0050
NH-SI 2/100A GL AG AC500V	2	100	3	NH-SI 2/ 100A GL AG AC500V	35053-0060
NH-SI 2/125A GL AG AC500V	2	125	3	NH-SI 2/ 125A GL AG AC500V	35053-0070
NH-SI 2/160A GL AG AC500V	2	160	3	NH-SI 2/ 160A GL AG AC500V	35053-0080
NH-SI 2/200A GL AG AC500V	2	200	3	NH-SI 2/ 200A GL AG AC500V	35053-0090
NH-SI 2/224A GL AG AC500V	2	224	3	NH-SI 2/ 224A GL AG AC500V	35053-0100
NH-SI 2 250A GL AG AC500V	2	250	3	NH-SI 2 250A GL AG AC500V	35053-0110
NH-SI 2 300A GL AG AC500V	2	300	3	NH-SI 2 300A GL AG AC500V	35053-0120
NH-SI 2 315A GL AG AC500V	2	315	3	NH-SI 2 315A GL AG AC500V	35053-0130
NH-SI 2 355A GL AG AC500V	2	355	3	NH-SI 2 355A GL AG AC500V	35053-0140
NH-SI 2 400A GL AG AC500V	2	400	3	NH-SI 2 400A GL AG AC500V	35053-0150
NH-SI 3 315A GL AG AC500V	3	315	3	NH-SI 3 315A GL AG AC500V	35077-0010
NH-SI 3 355A GL AG AC500V	3	355	3	NH-SI 3 355A GL AG AC500V	35077-0020
NH-SI 3 400A GL AG AC500V	3	400	3	NH-SI 3 400A GL AG AC500V	35077-0030
NH-SI 3 425A GL AG AC500V	3	425	3	NH-SI 3 425A GL AG AC500V	35077-0040
NH-SI 3 500A GL AG AC500V	3	500	3	NH-SI 3 500A GL AG AC500V	35077-0050
NH-SI 3 630A GL AG AC500V	3	630	3	NH-SI 3 630A GL AG AC500V	35077-0060

NH Fuse-Links 500V gL

- Rated voltage: AC 500V / DC 440V*
- Utilization category: gL acc. to VDE 0636-21 and VDE 0636-1
- IEC 60269-2
- Breaking capacity AC: 120 kA
- Breaking capacity DC: see technical data

► Technical data, page 36



35164-0160

NH Fuse-Links for cable and line protection, AC 500V gL

Features:

- Center indicator
- Insulated metal gripping lug
- Pure silver fuse element

Designation	Size	Amps	PU	Product designation	Order no.
NH-SI 00 2A GL AG AC500V LI	00	2	10	NH-SI 00 2A GL AG AC500V LI	35164-0010
NH-SI 00 4A GL AG AC500V LI	00	4	10	NH-SI 00 4,0A GL AG AC500V LI	35164-0020
NH-SI 00 6A GL AG AC500V LI	00	6	10	NH-SI 00 6A GL AG AC500V LI	35164-0030
NH-SI 00 10A GL AG AC500V LI	00	10	10	NH-SI 00 10A GL AG AC500V LI	35164-0040
NH-SI 00 16A GL AG AC500V LI	00	16	10	NH-SI 00 16A GL AG AC500V LI	35164-0050
NH-SI 00 20A GL AG AC500V LI	00	20	10	NH-SI 00 20A GL AG AC500V LI	35164-0060
NH-SI 00 25A GL AG AC500V LI	00	25	10	NH-SI 00 25A GL AG AC500V LI	35164-0070
NH-SI 00 32A GL AG AC500V LI	00	32	10	NH-SI 00 32A GL AG AC500V LI	35164-0080
NH-SI 00 35A GL AG AC500V LI	00	35	10	NH-SI 00 35A GL AG AC500V LI	35164-0090
NH-SI 00 40A GL AG AC500V LI	00	40	10	NH-SI 00 40A GL AG AC500V LI	35164-0100
NH-SI 00 50A GL AG AC500V LI	00	50	10	NH-SI 00 50A GL AG AC500V LI	35164-0110
NH-SI 00 63A GL AG AC500V LI	00	63	10	NH-SI 00 63A GL AG AC500V LI	35164-0120
NH-SI 00 80A GL AG AC500V LI	00	80	10	NH-SI 00 80A GL AG AC500V LI	35164-0130
NH-SI 00 100A GL AG AC500V LI	00	100	10	NH-SI 00 100A GL AG AC500V LI	35164-0140
NH-SI 00 125A GL AG AC500V LI	00	125	10	NH-SI 00 125A GL AG AC500V LI	35164-0150
NH-SI 00 160A GL AG AC500V LI	00	160	10	NH-SI 00 160A GL AG AC500V LI	35164-0160
NH-SI 1 6A GL AG AC500V LI	1	6	3	NH-SI 1 6A GL AG AC500V LI	35203-0010
NH-SI 1 10A GL AG AC500V LI	1	10	3	NH-SI 1 10A GL AG AC500V LI	35203-0020
NH-SI 1 16A GL AG AC500V LI	1	16	3	NH-SI 1 16A GL AG AC500V LI	35203-0030
NH-SI 1 20A GL AG AC500V LI	1	20	3	NH-SI 1 20A GL AG AC500V LI	35203-0040
NH-SI 1 25A GL AG AC500V LI	1	25	3	NH-SI 1 25A GL AG AC500V LI	35203-0050
NH-SI 1 35A GL AG AC500V LI	1	35	3	NH-SI 1 35A GL AG AC500V LI	35203-0060
NH-SI 1 50A GL AG AC500V LI	1	50	3	NH-SI 1 50A GL AG AC500V LI	35203-0070
NH-SI 1 63A GL AG AC500V LI	1	63	3	NH-SI 1 63A GL AG AC500V LI	35203-0080
NH-SI 1 80A GL AG AC500V LI	1	80	3	NH-SI 1 80A GL AG AC500V LI	35203-0090
NH-SI 1 100A GL AG AC500V LI	1	100	3	NH-SI 1 100A GL AG AC500V LI	35203-0100
NH-SI 1 125A GL AG AC500V LI	1	125	3	NH-SI 1 125A GL AG AC500V LI	35203-0110
NH-SI 1 160A GL AG AC500V LI	1	160	3	NH-SI 1 160A GL AG AC500V LI	35203-0120
NH-SI 1 200A GL AG AC500V LI	1	200	3	NH-SI 1 200A GL AG AC500V LI	35203-0130
NH-SI 1 224A GL AG AC500V LI	1	224	3	NH-SI 1 224A GL AG AC500V LI	35203-0140
NH-SI 1 250A GL AG AC500V LI	1	250	3	NH-SI 1 250A GL AG AC500V LI	35203-0150
NH-SI 2 25A GL AG AC500V LI	2	25	3	NH-SI 2 25A GL AG AC500V LI	35115-0010
NH-SI 2 35A GL AG AC500V LI	2	35	3	NH-SI 2 35A GL AG AC500V LI	35115-0020
NH-SI 2 50A GL AG AC500V LI	2	50	3	NH-SI 2 50A GL AG AC500V LI	35115-0030
NH-SI 2 63A GL AG AC500V LI	2	63	3	NH-SI 2 63A GL AG AC500V LI	35115-0040
NH-SI 2 80A GL AG AC500V LI	2	80	3	NH-SI 2 80A GL AG AC500V LI	35115-0050
NH-SI 2 100A GL AG AC500V LI	2	100	3	NH-SI 2 100A GL AG AC500V LI	35115-0060
NH-SI 2 125A GL AG AC500V LI	2	125	3	NH-SI 2 125A GL AG AC500V LI	35115-0070
NH-SI 2 160A GL AG AC500V LI	2	160	3	NH-SI 2 160A GL AG AC500V LI	35115-0080
NH-SI 2 200A GL AG AC500V LI	2	200	3	NH-SI 2 200A GL AG AC500V LI	35115-0090
NH-SI 2 224A GL AG AC500V LI	2	224	3	NH-SI 2 224A GL AG AC500V LI	35115-0100
NH-SI 2 250A GL AG AC500V LI	2	250	3	NH-SI 2 250A GL AG AC500V LI	35115-0110
NH-SI 2 300A GL AG AC500V LI	2	300	3	NH-SI 2 300A GL AG AC500V LI	35115-0120
NH-SI 2 315A GL AG AC500V LI	2	315	3	NH-SI 2 315A GL AG AC500V LI	35115-0130
NH-SI 2 355A GL AG AC500V LI	2	355	3	NH-SI 2 355A GL AG AC500V LI	35115-0140
NH-SI 2 400A GL AG AC500V LI	2	400	3	NH-SI 2 400A GL AG AC500V LI	35115-0150

NH Fuse-Links 500V gL

- Rated voltage: AC 500V / DC 440V*
- Utilization category: gL acc. to VDE 0636-21 and VDE 0636-1
- IEC 60269-2
- Breaking capacity AC: 120 kA
- Breaking capacity DC: see technical data

► Technical data, page 40



35164-0240

NH Fuse-Links for cable and line protection, AC 500V gL

Features:

- Center indicator (specifically for meshed mains systems)
- Insulated metal gripping lug
- Pure silver fuse element

Designation	Size	Amps	PU	Product designation	Order no.
NH-SI 00 10A GL AG AC500V LI AU	00	10	10	NH-SI 00 10A GL AG AC500V LI AU	35164-0270
NH-SI 00 16A GL AG AC500V LI AU	00	16	10	NH-SI 00 16A GL AG AC500V LI AU	35164-0260
NH-SI 00 25A GL AG AC500V LI AU	00	25	10	NH-SI 00 25A GL AG AC500V LI AU	35164-0250
NH-SI 00 35A GL AG AC500V LI AU	00	35	10	NH-SI 00 35A GL AG AC500V LI AU	35164-0170
NH-SI 00 40A GL AG AC500V LI AU	00	40	10	NH-SI 00 40A GL AG AC500V LI AU	35164-0180
NH-SI 00 50A GL AG AC500V LI AU	00	50	10	NH-SI 00 50A GL AG AC500V LI AU	35164-0190
NH-SI 00 63A GL AG AC500V LI AU	00	63	10	NH-SI 00 63A GL AG AC500V LI AU	35164-0200
NH-SI 00 80A GL AG AC500V LI AU	00	80	10	NH-SI 00 80A GL AG AC500V LI AU	35164-0210
NH-SI 00 100A GL AG AC500V LI AU	00	100	10	NH-SI 00 100A GL AG AC500V LI AU	35164-0220
NH-SI 00 125A GL AG AC500V LI AU	00	125	10	NH-SI 00 125A GL AG AC500V LI AU	35164-0230
NH-SI 00 160A GL AG AC500V LI AU	00	160	10	NH-SI 00 160A GL AG AC500V LI AU	35164-0240
NH-SI 2 35A GL AG AC500V LI AU	2	35	3	NH-SI 2 35A GL AG AC500V LI AU	35115-0280
NH-SI 2 63A GL AG AC500V LI AU	2	63	3	NH-SI 2 63A GL AG AC500V LI AU	35115-0160
NH-SI 2 80A GL AG AC500V LI AU	2	80	3	NH-SI 2 80A GL AG AC500V LI AU	35115-0170
NH-SI 2 100A GL AG AC500V LI AU	2	100	3	NH-SI 2 100A GL AG AC500V LI AU	35115-0180
NH-SI 2 125A GL AG AC500V LI AU	2	125	3	NH-SI 2 125A GL AG AC500V LI AU	35115-0190
NH-SI 2 160A GL AG AC500V LI AU	2	160	3	NH-SI 2 160A GL AG AC500V LI AU	35115-0200
NH-SI 2 200A GL AG AC500V LI AU	2	200	3	NH-SI 2 200A GL AG AC500V LI AU	35115-0210
NH-SI 2 224A GL AG AC500V LI AU	2	224	3	NH-SI 2 224A GL AG AC500V LI AU	35115-0220
NH-SI 2 250A GL AG AC500V LI AU	2	250	3	NH-SI 2 250A GL AG AC500V LI AU	35115-0230
NH-SI 2 300A GL AG AC500V LI AU	2	300	3	NH-SI 2 300A GL AG AC500V LI AU	35115-0240
NH-SI 2 315A GL AG AC500V LI AU	2	315	3	NH-SI 2 315A GL AG AC500V LI AU	35115-0250
NH-SI 2 355A GL AG AC500V LI AU	2	355	3	NH-SI 2 355A GL AG AC500V LI AU	35115-0260
NH-SI 2 400A GL AG AC500V LI AU	2	400	3	NH-SI 2 400A GL AG AC500V LI AU	35115-0270

NH Fuse-Links 690 V gG

- Rated voltage: AC 690 V
- Utilization category: gG acc. to VDE 0636-2 and VDE 0636-1
- IEC 60269-2 and IEC 60269-1
- Application: for cable and line protection
- Breaking capacity AC: 80 kA (630 A, 50 kA)
- Breaking capacity DC: see technical data

► Technical data, page 42



35421-0250

NH Fuse-Links for cable and line protection, 690 V AC gG

Features:

- Twin indicator
- Non-insulated metal gripping lug
- Copper fuse element

Designation	Size	Amps	PU	Product designation	Order no.
NH-SI 000 2A GG AC690V AK	000	2	3	NH-SI 000 2A GG AC690V AK	35421-0020
NH-SI 000 4A GG AC690V AK	000	4	3	NH-SI 000 4A GG AC690V AK	35421-0040
NH-SI 000 6A GG AC690V AK	000	6	3	NH-SI 000 6A GG AC690V AK	35421-0060
NH-SI 000 10A GG AC690V AK	000	10	3	NH-SI 000 10A GG AC690V AK	35421-0100
NH-SI 000 16A GG AC690V AK	000	16	3	NH-SI 000 16A GG AC690V AK	35421-0160
NH-SI 000 20A GG AC690V AK	000	20	3	NH-SI 000 20A GG AC690V AK	35421-0200
NH-SI 000 25A GG AC690V AK	000	25	3	NH-SI 000 25A GG AC690V AK	35421-0250
NH-SI 000 32A GG AC690V AK	000	32	3	NH-SI 000 32A GG AC690V AK	35421-0320
NH-SI 000 35A GG AC690V AK	000	35	3	NH-SI 000 35A GG AC690V AK	35421-0350
NH-SI 000 40A GG AC690V AK	000	40	3	NH-SI 000 40A GG AC690V AK	35421-0400
NH-SI 000 50A GG AC690V AK	000	50	3	NH-SI 000 50A GG AC690V AK	35421-0500
NH-SI 000 63A GG AC690V AK	000	63	3	NH-SI 000 63A GG AC690V AK	35421-0630
NH-SI 00 80A GG AC690V AK	00	80	3	NH-SI 00 80A GG AC690V AK	35422-0800
NH-SI 00 100A GG AC690V AK	00	100	3	NH-SI 00 100A GG AC690V AK	35422-1000
NH-SI 00 125A GG AC690V AK	00	125	3	NH-SI 00 125A GG AC690V AK	35422-1250
NH-SI 1/ 25A GG AC690V AK	1	25	3	NH-SI 1/ 25A GG AC690V AK	35423-0250
NH-SI 1/ 32A GG AC690V AK	1	32	3	NH-SI 1/ 32A GG AC690V AK	35423-0320
NH-SI 1/ 35A GG AC690V AK	1	35	3	NH-SI 1/ 35A GG AC690V AK	35423-0350
NH-SI 1/ 40A GG AC690V AK	1	40	3	NH-SI 1/ 40A GG AC690V AK	35423-0400
NH-SI 1/ 50A GG AC690V AK	1	50	3	NH-SI 1/ 50A GG AC690V AK	35423-0500
NH-SI 1/ 63A GG AC690V AK	1	63	3	NH-SI 1/ 63A GG AC690V AK	35423-0630
NH-SI 1/ 80A GG AC690V AK	1	80	3	NH-SI 1/ 80A GG AC690V AK	35423-0800
NH-SI 1/ 100A GG AC690V AK	1	100	3	NH-SI 1/ 100A GG AC690V AK	35423-1000
NH-SI 1 125A GG AC690V AK	1	125	3	NH-SI 1 125A GG AC690V AK	35423-1250
NH-SI 1 160A GG AC690V AK	1	160	3	NH-SI 1 160A GG AC690V AK	35423-1600
NH-SI 1 200A GG AC690V AK	1	200	3	NH-SI 1 200A GG AC690V AK	35423-2000
NH-SI 1 250A GG AC690V AK	1	250	3	NH-SI 1 250A GG AC690V AK	35423-2500
NH-SI 2/ 25A GG AC690V AK	2	25	3	NH-SI 2/ 25A GG AC690V AK	35424-0250
NH-SI 2/ 35A GG AC690V AK	2	35	3	NH-SI 2/ 35A GG AC690V AK	35424-0350
NH-SI 2/ 50A GG AC690V AK	2	50	3	NH-SI 2/ 50A GG AC690V AK	35424-0500
NH-SI 2/ 63A GG AC690V AK	2	63	3	NH-SI 2/ 63A GG AC690V AK	35424-0630
NH-SI 2/ 80A GG AC690V AK	2	80	3	NH-SI 2/ 80A GG AC690V AK	35424-0800
NH-SI 2/ 100A GG AC690V AK	2	100	3	NH-SI 2/ 100A GG AC690V AK	35424-1000
NH-SI 2/ 125A GG AC690V AK	2	125	3	NH-SI 2/ 125A GG AC690V AK	35424-1250
NH-SI 2/ 160A GG AC690V AK	2	160	3	NH-SI 2/ 160A GG AC690V AK	35424-1600
NH-SI 2/ 200A GG AC690V AK	2	200	3	NH-SI 2/ 200A GG AC690V AK	35424-2000
NH-SI 2/ 250A GG AC690V AK	2	250	3	NH-SI 2/ 250A GG AC690V AK	35424-2500
NH-SI 2 315A GG AC690V AK	2	315	3	NH-SI 2 315A GG AC690V AK	35424-3150
NH-SI 2 355A GG AC690V AK	2	355	3	NH-SI 2 355A GG AC690V AK	35424-3550
NH-SI 2 400A GG AC690V MA	2	400	3	NH-SI 2 400A GG AC690V MA	35424-4000

NH Fuse-Links 690 V gG

- Rated voltage: AC 690 V
- Utilization category: gG acc. to VDE 0636-2 and VDE 0636-1
- IEC 60269-2 and IEC 60269-1
- Application: for cable and line protection
- Breaking capacity AC: 80 kA (630 A, 50 kA)
- Breaking capacity DC: see technical data

► Technical data, page 42



35425-4000

NH Fuse-Links for cable and line protection, 690 V AC gG

Features:

- Twin indicator (630 A with center indicator)
- Non-insulated metal gripping lug
- Copper fuse element

Designation	Size	Amps	PU	Product designation	Order no.
NH-SI 3/ 80A GG AC690V AK	3	80	3	NH-SI 3/ 80A GG AC690V AK	35425-0800
NH-SI 3/ 100A GG AC690V AK	3	100	3	NH-SI 3/ 100A GG AC690V AK	35425-1000
NH-SI 3/ 125A GG AC690V AK	3	125	3	NH-SI 3/ 125A GG AC690V AK	35425-1250
NH-SI 3/ 160A GG AC690V AK	3	160	3	NH-SI 3/ 160A GG AC690V AK	35425-1600
NH-SI 3/ 200A GG AC690V AK	3	200	3	NH-SI 3/ 200A GG AC690V AK	35425-2000
NH-SI 3/ 224A GG AC690V AK	3	224	3	NH-SI 3/ 224A GG AC690V AK	35425-2240
NH-SI 3/ 250A GG AC690V AK	3	250	3	NH-SI 3/ 250A GG AC690V AK	35425-2500
NH-SI 3/ 315A GG AC690V AK	3	315	3	NH-SI 3/ 315A GG AC690V AK	35425-3150
NH-SI 3/ 355A GG AC690V AK	3	355	3	NH-SI 3/ 355A GG AC690V AK	35425-3550
NH-SI 3 400A GG AC690V AK	3	400	3	NH-SI 3 400A GG AC690V AK	35425-4000
NH-SI 3 425A GG AC690V AK	3	425	3	NH-SI 3 425A GG AC690V AK	35425-4250
NH-SI 3 500A GG AC690V AK	3	500	3	NH-SI 3 500A GG AC690V AK	35425-5000
NH-SI 3 630A GG AC690V MA	3	630	3	NH-SI 3 630A GG AC690V MA	35425-6300

NH Fuse-Links 500 V gR

- Rated voltage: AC 500 V
- Utilization category: gR acc. to VDE 0636-4
- Application: for semiconductor protection
- Breaking capacity AC: 120 kA
- Breaking capacity DC: see technical data

► Technical data, page 46



35058-0110

NH Fuse-Links for semiconductor protection, 500 V AC gR

Features:

- Center indicator
- Non-insulated metal gripping lug
- Pure silver fuse element

Designation	Size	Amps	PU	Product designation	Order no.
NH-SI 00 16A GR AC500V LS	00	16	10	NH-SI 00 16A GR AC500V LS	35024-0180
NH-SI 00 20A GR AC500V LS	00	20	10	NH-SI 00 20A GR AC500V LS	35024-0170
NH-SI 00 25A GR AC500V LS	00	25	10	NH-SI 00 25A GR AC500V LS	35024-0190
NH-SI 00 35A GR AC500V LS	00	35	10	NH-SI 00 35A GR AC500V LS	35024-0010
NH-SI 00 40A GR AC500V LS	00	40	10	NH-SI 00 40A GR AC500V LS	35024-0020
NH-SI 00 50A GR AC500V LS	00	50	10	NH-SI 00 50A GR AC500V LS	35024-0030
NH-SI 00 63A GR AC500V LS	00	63	10	NH-SI 00 63A GR AC500V LS	35024-0040
NH-SI 00 80A GR AC500V LS	00	80	10	NH-SI 00 80A GR AC500V LS	35024-0050
NH-SI 00 100A GR AC500V LS	00	100	10	NH-SI 00 100A GR AC500V LS	35024-0060
NH-SI 00 125A GR AC500V LS	00	125	10	NH-SI 00 125A GR AC500V LS	35024-0070
NH-SI 00 160A GR AC500V LS	00	160	10	NH-SI 00 160A GR AC500V LS	35024-0080
NH-SI 1 35A GR AC500V LS	1	35	3	NH-SI 1 35A GR AC500V LS	35040-0010
NH-SI 1 50A GR AC500V LS	1	50	3	NH-SI 1 50A GR AC500V LS	35040-0020
NH-SI 1 63A GR AC500V LS	1	63	3	NH-SI 1 63A GR AC500V LS	35040-0030
NH-SI 1 80A GR AC500V LS	1	80	3	NH-SI 1 80A GR AC500V LS	35040-0040
NH-SI 1 100A GR AC500V LS	1	100	3	NH-SI 1 100A GR AC500V LS	35040-0050
NH-SI 1 125A GR AC500V LS	1	125	3	NH-SI 1 125A GR AC500V LS	35040-0060
NH-SI 1 160A GR AC500V LS	1	160	3	NH-SI 1 160A GR AC500V LS	35040-0070
NH-SI 1 200A GR AC500V LS	1	200	3	NH-SI 1 200A GR AC500V LS	35040-0080
NH-SI 1 224A GR AC500V LS	1	224	3	NH-SI 1 224A GR AC500V LS	35040-0090
NH-SI 1 250A GR AC500V LS	1	250	3	NH-SI 1 250A GR AC500V LS	35040-0100
NH-SI 2 80A GR AC500V LS	2	80	3	NH-SI 2 80A GR AC500V LS	35058-0010
NH-SI 2 100A GR AC500V LS	2	100	3	NH-SI 2 100A GR AC500V LS	35058-0020
NH-SI 2 125A GR AC500V LS	2	125	3	NH-SI 2 125A GR AC500V LS	35058-0030
NH-SI 2 160A GR AC500V LS	2	160	3	NH-SI 2 160A GR AC500V LS	35058-0040
NH-SI 2 200A GR AC500V LS	2	200	3	NH-SI 2 200A GR AC500V LS	35058-0050
NH-SI 2 224A GR AC500V LS	2	224	3	NH-SI 2 224A GR AC500V LS	35058-0060
NH-SI 2 250A GR AC500V LS	2	250	3	NH-SI 2 250A GR AC500V LS	35058-0070
NH-SI 2 300A GR AC500V LS	2	300	3	NH-SI 2 300A GR AC500V LS	35058-0080
NH-SI 2 315A GR AC500V LS	2	315	3	NH-SI 2 315A GR AC500V LS	35058-0090
NH-SI 2 355A GR AC500V LS	2	355	3	NH-SI 2 355A GR AC500V LS	35058-0100
NH-SI 2 400A GR AC500V LS	2	400	3	NH-SI 2 400A GR AC500V LS	35058-0110
NH-SI 3 315A GR AC500V LS	3	315	1	NH-SI 3 315A GR AC500V LS	35079-0010
NH-SI 3 355A GR AC500V LS	3	355	1	NH-SI 3 355A GR AC500V LS	35079-0020
NH-SI 3 400A GR AC500V LS	3	400	1	NH-SI 3 400A GR AC500V LS	35079-0030
NH-SI 3 425A GR AC500V LS	3	425	1	NH-SI 3 425A GR AC500V LS	35079-0040
NH-SI 3 500A GR AC500V LS	3	500	1	NH-SI 3 500A GR AC500V LS	35079-0050
NH-SI 3 630A GR AC500V LS	3	630	1	NH-SI 3 630A GR AC500V LS	35079-0060
NH-SI 00 16A GR AC500V SM	00	16	10	NH-SI 00 16A GR AC500V SM	35218-0010
NH-SI 00 20A GR AC500V SM	00	20	10	NH-SI 00 20A GR AC500V SM	35218-0020
NH-SI 00 25A GR AC500V SM	00	25	10	NH-SI 00 25A GR AC500V SM	35218-0030
NH-SI 00 35A GR AC500V SM	00	35	10	NH-SI 00 35A GR AC500V SM	35218-0040
NH-SI 00 40A GR AC500V SM	00	40	10	NH-SI 00 40A GR AC500V SM	35218-0050
NH-SI 00 50A GR AC500V SM	00	50	10	NH-SI 00 50A GR AC500V SM	35218-0060
NH-SI 00 63A GR AC500V SM	00	63	10	NH-SI 00 63A GR AC500V SM	35218-0070
NH-SI 00 80A GR AC500V SM	00	80	10	NH-SI 00 80A GR AC500V SM	35218-0080
NH-SI 00 100A GR AC500V SM	00	100	10	NH-SI 00 100A GR AC500V SM	35218-0090
NH-SI 00 125A GR AC500V SM	00	125	10	NH-SI 00 125A GR AC500V SM	35218-0100
NH-SI 1 35A GR AC500V LS SM	1	35	1	NH-SI 1 35A GR AC500V LS SM	35046-0010
NH-SI 1 50A GR AC500V LS SM	1	50	1	NH-SI 1 50A GR AC500V LS SM	35046-0020
NH-SI 1 63A GR AC500V LS SM	1	63	1	NH-SI 1 63A GR AC500V LS SM	35046-0030
NH-SI 1 80A GR AC500V LS SM	1	80	1	NH-SI 1 80A GR AC500V LS SM	35046-0040
NH-SI 1 100A GR AC500V LS SM	1	100	1	NH-SI 1 100A GR AC500V LS SM	35046-0050

NH Fuse-Links 500 V gR

- Rated voltage: AC 500 V
- Utilization category: gR acc. to VDE 0636-4
- Application: for semiconductor protection
- Breaking capacity AC: 120 kA
- Breaking capacity DC: see technical data

► Technical data, page 46



35060-0150

NH Fuse-Links for semiconductor protection, 500 V AC gR

Features:

- Center indicator
- Non-insulated metal gripping lug
- Pure silver fuse element
- Striker for fuse monitoring

Designation	Size	Amps	PU	Product designation	Order no.
NH-SI 00 16A GR AC500V SM	00	16	10	NH-SI 00 16A GR AC500V SM	35218-0010
NH-SI 00 20A GR AC500V SM	00	20	10	NH-SI 00 20A GR AC500V SM	35218-0020
NH-SI 00 25A GR AC500V SM	00	25	10	NH-SI 00 25A GR AC500V SM	35218-0030
NH-SI 00 35A GR AC500V SM	00	35	10	NH-SI 00 35A GR AC500V SM	35218-0040
NH-SI 00 40A GR AC500V SM	00	40	10	NH-SI 00 40A GR AC500V SM	35218-0050
NH-SI 00 50A GR AC500V SM	00	50	10	NH-SI 00 50A GR AC500V SM	35218-0060
NH-SI 00 63A GR AC500V SM	00	63	10	NH-SI 00 63A GR AC500V SM	35218-0070
NH-SI 00 80A GR AC500V SM	00	80	10	NH-SI 00 80A GR AC500V SM	35218-0080
NH-SI 00 100A GR AC500V SM	00	100	10	NH-SI 00 100A GR AC500V SM	35218-0090
NH-SI 00 125A GR AC500V SM	00	125	10	NH-SI 00 125A GR AC500V SM	35218-0100
NH-SI 1 35A GR AC500V LS SM	1	35	1	NH-SI 1 35A GR AC500V LS SM	35046-0010
NH-SI 1 50A GR AC500V LS SM	1	50	1	NH-SI 1 50A GR AC500V LS SM	35046-0020
NH-SI 1 63A GR AC500V LS SM	1	63	1	NH-SI 1 63A GR AC500V LS SM	35046-0030
NH-SI 1 80A GR AC500V LS SM	1	80	1	NH-SI 1 80A GR AC500V LS SM	35046-0040
NH-SI 1 100A GR AC500V LS SM	1	100	1	NH-SI 1 100A GR AC500V LS SM	35046-0050
NH-SI 1 160A GR AC500V LS SM	1	160	1	NH-SI 1 160A GR AC500V LS SM	35046-0070
NH-SI 1 200A GR AC500V LS SM	1	200	1	NH-SI 1 200A GR AC500V LS SM	35046-0080
NH-SI 1 224A GR AC500V LS SM	1	224	1	NH-SI 1 224A GR AC500V LS SM	35046-0090
NH-SI 1 250A GR AC500V LS SM	1	250	1	NH-SI 1 250A GR AC500V LS SM	35046-0100
NH-SI 2 80A GR AC500V LS SM	2	80	1	NH-SI 2 80A GR AC500V LS SM	35060-0050
NH-SI 2 100A GR AC500V LS SM	2	100	1	NH-SI 2 100A GR AC500V LS SM	35060-0060
NH-SI 2 125A GR AC500V LS SM	2	125	1	NH-SI 2 125A GR AC500V LS SM	35060-0070
NH-SI 2 160A GR AC500V LS SM	2	160	1	NH-SI 2 160A GR AC500V LS SM	35060-0080
NH-SI 2 200A GR AC500V LS SM	2	200	1	NH-SI 2 200A GR AC500V LS SM	35060-0090
NH-SI 2 224A GR AC500V LS SM	2	224	1	NH-SI 2 224A GR AC500V LS SM	35060-0100
NH-SI 2 250A GR AC500V LS SM	2	250	1	NH-SI 2 250A GR AC500V LS SM	35060-0110
NH-SI 2 300A GR AC500V LS SM	2	300	1	NH-SI 2 300A GR AC500V LS SM	35060-0120
NH-SI 2 315A GR AC500V LS SM	2	315	1	NH-SI 2 315A GR AC500V LS SM	35060-0130
NH-SI 2 355A GR AC500V LS SM	2	355	1	NH-SI 2 355A GR AC500V LS SM	35060-0140
NH-SI 2 400A GR AC500V LS SM	2	400	1	NH-SI 2 400A GR AC500V LS SM	35060-0150
NH-SI 3 315A GR AC500V LS SM	3	315	1	NH-SI 3 315A GR AC500V LS SM	35086-0010
NH-SI 3 355A GR AC500V LS SM	3	355	1	NH-SI 3 355A GR AC500V LS SM	35086-0020
NH-SI 3 400A GR AC500V LS SM	3	400	1	NH-SI 3 400A GR AC500V LS SM	35086-0030
NH-SI 3 425A GR AC500V LS SM	3	425	1	NH-SI 3 425A GR AC500V LS SM	35086-0040
NH-SI 3 500A GR AC500V LS SM	3	500	1	NH-SI 3 500A GR AC500V LS SM	35086-0050
NH-SI 3 630A GR AC500V LS SM	3	630	1	NH-SI 3 630A GR AC500V LS SM	35086-0060

NH Fuse-Links 500V gR

- Rated voltage: AC 500 V
- Utilization category: gR acc. to VDE 0636-4
- Application: Maintenance fuse
- Breaking capacity AC: 120 kA

► Technical data, page 50



35209-0050

Maintenance fuse-link 500 V AC LI

Features:

- Specific marking
- Insulated metal gripping lugs
- Pure silver fuse element
- Highly vibration-resistant screws

Designation	Size	Amps	PU	Product designation	Order no.
NH-ARBEITSSICHERUNG 2 80A GR AC500V LI	2	80	3	NH-ARBEITSSICHERUNG 2 80A GR AC500V LI	35209-0010
NH-ARBEITSSICHERUNG 2 100A GR AC500V LI	2	100	3	NH-ARBEITSSICHERUNG 2 100A GR AC500V LI	35209-0020
NH-ARBEITSSICHERUNG 2 125A GR AC500V LI	2	125	3	NH-ARBEITSSICHERUNG 2 125A GR AC500V LI	35209-0030
NH-ARBEITSSICHERUNG 2 160A GR AC500V LI	2	160	3	NH-ARBEITSSICHERUNG 2 160A GR AC500V LI	35209-0040
NH-ARBEITSSICHERUNG 2 200A GR AC500V LI	2	200	3	NH-ARBEITSSICHERUNG 2 200A GR AC500V LI	35209-0050
NH-ARBEITSSICHERUNG 2 224A GR AC500V LI	2	224	3	NH-ARBEITSSICHERUNG 2 224A GR AC500V LI	35209-0060
NH-ARBEITSSICHERUNG 2 250A GR AC500V LI	2	250	3	NH-ARBEITSSICHERUNG 2 250A GR AC500V LI	35209-0070
NH-ARBEITSSICHERUNG 2 300A GR AC500V LI	2	300	3	NH-ARBEITSSICHERUNG 2 300A GR AC500V LI	35209-0080
NH-ARBEITSSICHERUNG 2 315A GR AC500V LI	2	315	3	NH-ARBEITSSICHERUNG 2 315A GR AC500V LI	35209-0090

NH Fuse-Links 400 V gTr

- Rated voltage: 400 V AC gTr
- Utilization category: gTr acc. to VDE 0636-2011
- Application: for transformer protection
- Breaking capacity: 100 kA size 3, 630 kVA, 50 kA

► Technical data, page 44



35081-0110

NH Fuse-Links for transformer protection, 400 V AC gTr

Features:

- Center indicator
- Non-insulated metal gripping lug
- Copper fuse element

Designation	Size	kVA	Amps	PU	Product designation	Order no.
NH-SI 2 50KVA GTR AC400V MA	2	50	72	3	NH-SI 2 50KVA GTR AC400V MA	35076-1010
NH-SI 2 75KVA GTR AC400V MA	2	75	108	3	NH-SI 2 75KVA GTR AC400V MA	35076-1020
NH-SI 2 100KVA GTR AC400V MA	2	100	144	3	NH-SI 2 100KVA GTR AC400V MA	35076-1030
NH-SI 2 125KVA GTR AC400V MA	2	125	180	3	NH-SI 2 125KVA GTR AC400V MA	35076-1040
NH-SI 2 160KVA GTR AC400V MA	2	160	231	3	NH-SI 2 160KVA GTR AC400V MA	35076-1050
NH-SI 2 200KVA GTR AC400V MA	2	200	289	3	NH-SI 2 200KVA GTR AC400V MA	35076-1060
NH-SI 2 250KVA GTR AC400V MA	2	250	361	3	NH-SI 2 250KVA GTR AC400V MA	35076-1070
NH-SI 3 100KVA GTR AC400V MA	3	100	144	1	NH-SI 3 100KVA GTR AC400V MA	35081-1040
NH-SI 3 160KVA GTR AC400V MA	3	160	231	1	NH-SI 3 160KVA GTR AC400V MA	35081-1060
NH-SI 3 200KVA GTR AC400V MA	3	200	289	1	NH-SI 3 200KVA GTR AC400V MA	35081-1050
NH-SI 3 250KVA GTR AC400V MA	3	250	361	1	NH-SI 3 250KVA GTR AC400V MA	35081-1010
NH-SI 3 315KVA GTR AC400V MA	3	315	455	1	NH-SI 3 315KVA GTR AC400V MA	35081-1020
NH-SI 3 400KVA GTR AC400V MA	3	400	577	1	NH-SI 3 400KVA GTR AC400V MA	35081-1030
NH-SI 3 500KVA GTR AC400V MA	3	500	722	1	NH-SI 3 500KVA GTR AC400V MA	35081-0100
NH-SI 3 630KVA GTR AC400V MA	3	630	909	1	NH-SI 3 630KVA GTR AC400V MA	35081-0110
NH-SI 4A 100KVA GTR AC400V MA	4a	100	144	1	NH-SI 4A 100KVA GTR AC400V MA	35100-0100
NH-SI 4A 160KVA GTR AC400V MA	4a	160	231	1	NH-SI 4A 160KVA GTR AC400V MA	35100-0110
NH-SI 4A 200KVA GTR AC400V MA	4a	200	289	1	NH-SI 4A 200KVA GTR AC400V MA	35100-0160
NH-SI 4A 250KVA GTR AC400V MA	4a	250	361	1	NH-SI 4A 250KVA GTR AC400V MA	35100-0120
NH-SI 4A 315KVA GTR AC400V MA	4a	315	455	1	NH-SI 4A 315KVA GTR AC400V MA	35100-0170
NH-SI 4A 400KVA GTR AC400V MA	4a	400	577	1	NH-SI 4A 400KVA GTR AC400V MA	35100-0130
NH-SI 4A 500KVA GTR AC400V MA	4a	500	722	1	NH-SI 4A 500KVA GTR AC400V MA	35100-0140
NH-SI 4A 630KVA GTR AC400V MA	4a	630	909	1	NH-SI 4A 630KVA GTR AC400V MA	35100-0150
NH-SI 4A 800KVA GTR AC400V MA	4a	800	1155	1	NH-SI 4A 800KVA GTR AC400V MA	35100-0040
NH-SI 4A 1000KVA GTR AC400V	4a	1000	1443	1	NH-SI 4A 1000KVA GTR AC400V	35100-0190

NH Fuse-Links 1000 V gB/aM

► Technical data, page 49



35041-0180

NH Fuse-Links 1L, 1000 V gB

Features:

- AC 1000 V / DC 550 V*
- Breaking capacity: 25 kA
- gB acc. to VDE 0636-2011

Designation	Size	Amps	PU	Product designation	Order no.
NH-SI 1L 10A GB AC1000V LS AS	1L	10	1	NH-SI 1L 10A GB AC1000V LS AS	35041-0410
NH-SI 1L 16A GB AC1000V LS AS	1L	16	1	NH-SI 1L 16A GB AC1000V LS AS	35041-0420
NH-SI 1L 35A GB AC1000V LS AS	1L	35	1	NH-SI 1L 35A GB AC1000V LS AS	35041-0100
NH-SI 1L 50A GB AC1000V LS AS	1L	50	1	NH-SI 1L 50A GB AC1000V LS AS	35041-0110
NH-SI 1L 63A GB AC1000V LS AS	1L	63	1	NH-SI 1L 63A GB AC1000V LS AS	35041-0120
NH-SI 1L 80A GB AC1000V LS AS	1L	80	1	NH-SI 1L 80A GB AC1000V LS AS	35041-0130
NH-SI 1L 100A GB AC1000V LS AS	1L	100	1	NH-SI 1L 100A GB AC1000V LS AS	35041-0140
NH-SI 1L 125A GB AC1000V LS AS	1L	125	1	NH-SI 1L 125A GB AC1000V LS AS	35041-0150
NH-SI 1L 160A GB AC1000V LS AS	1L	160	1	NH-SI 1L 160A GB AC1000V LS AS	35041-0160
NH-SI 1L 200A GB AC1000V LS AS	1L	200	1	NH-SI 1L 200A GB AC1000V LS AS	35041-0170
NH-SI 1L 250A GB AC1000V LS AS	1L	250	1	NH-SI 1L 250A GB AC1000V LS AS	35041-0180



35151-0020

NH Fuse-Links for the back-up protection of mining equipment

Features:

- 1000 V AC (425 – 500 A) and 1500 V AC (10 – 355 A)
- Breaking capacity: 25 kA
- aM acc. to VDE 0636-2011

Designation	Size	Amps	PU	Product designation	Order no.
NH-SI 3 125A AM AC1000V SBW	3	125	1	NH-SI 3 125A AM AC1000V SBW	35151-0010
NH-SI 3 160A AM AC1000V SBW	3	160	1	NH-SI 3 160A AM AC1000V SBW	35151-0020
NH-SI 3 200A AM AC1000V SBW	3	200	1	NH-SI 3 200A AM AC1000V SBW	35151-0030
NH-SI 3 224A AM AC1000V SBW	3	224	1	NH-SI 3 224A AM AC1000V SBW	35151-0040
NH-SI 3 250A AM AC1000V SBW	3	250	1	NH-SI 3 250A AM AC1000V SBW	35151-0050
NH-SI 3 315A AM AC1000V SBW	3	315	1	NH-SI 3 315A AM AC1000V SBW	35151-0070
NH-SI 3 355A AM AC1000V SBW	3	355	1	NH-SI 3 355A AM AC1000V SBW	35151-0080
NH-SI 3 500A AM AC1000V SBW	3	500	1	NH-SI 3 500A AM AC1000V SBW	35151-0120

NH Fuse-Links 1000 V / 1500 V TF

► Technical data, page 49



35150-0180

NH Fuse-Links for the back-up protection of mining equipment

Features:

- AC 1000 V
- Breaking capacity: 25 kA
- TF acc. to VDE 0660 and DIN 43620-5

Designation	Size	Amps	PU	Product designation	Order no.
NH-SI 3 10A TF AC1000V RHB	3	10	1	NH-SI 3 10A TF AC1000V RHB	35150-0010
NH-SI 3 16A TF AC1000V RHB	3	16	1	NH-SI 3 16A TF AC1000V RHB	35150-0020
NH-SI 3 20A TF AC1000V RHB	3	20	1	NH-SI 3 20A TF AC1000V RHB	35150-0030
NH-SI 3 25A TF AC1000V RHB	3	25	1	NH-SI 3 25A TF AC1000V RHB	35150-0040
NH-SI 3 35A TF AC1000V RHB	3	35	1	NH-SI 3 35A TF AC1000V RHB	35150-0050
NH-SI 3 50A TF AC1000V RHB	3	50	1	NH-SI 3 50A TF AC1000V RHB	35150-0060
NH-SI 3 63A TF AC1000V RHB	3	63	1	NH-SI 3 63A TF AC1000V RHB	35150-0070
NH-SI 3 80A TF AC1000V RHB	3	80	1	NH-SI 3 80A TF AC1000V RHB	35150-0080
NH-SI 3 100A TF AC1000V RHB	3	100	1	NH-SI 3 100A TF AC1000V RHB	35150-0090
NH-SI 3 125A TF AC1000V RHB	3	125	1	NH-SI 3 125A TF AC1000V RHB	35150-0100
NH-SI 3 160A TF AC1000V RHB	3	160	1	NH-SI 3 160A TF AC1000V RHB	35150-0110
NH-SI 3 200A TF AC1000V RHB	3	200	1	NH-SI 3 200A TF AC1000V RHB	35150-0120
NH-SI 3 224A TF AC1000V RHB	3	224	1	NH-SI 3 224A TF AC1000V RHB	35150-0130
NH-SI 3 250A TF AC1000V RHB	3	250	1	NH-SI 3 250A TF AC1000V RHB	35150-0140
NH-SI 3 300A TF AC1000V RHB	3	300	1	NH-SI 3 300A TF AC1000V RHB	35150-0150
NH-SI 3 315A TF AC1000V RHB	3	315	1	NH-SI 3 315A TF AC1000V RHB	35150-0160
NH-SI 3 355A TF AC1000V RHB	3	355	1	NH-SI 3 355A TF AC1000V RHB	35150-0170
NH-SI 3 425A TF AC1000V RHB	3	425	1	NH-SI 3 425A TF AC1000V RHB	35150-0180
NH-SI 3 400A TF AC1000V RHB	3	400	1	NH-SI 3 400A TF AC1000V RHB	35150-0190



35089-0190

NH Fuse-Links, size 3L, special design

Features:

- AC 1000 V (425 – 500 A), AC 1500 V (6 – 355 A)
- Breaking capacity: 10 kA
- TF acc. to VDE 0660 and DIN 43620-5

Designation	Size	Amps	PU	Product designation	Order no.
NH-SI 3L 6A TF AC1500V LS	3L	6	1	NH-SI 3L 6A TF AC1500V LS	35089-0200
NH-SI 3L 10A TF AC1500V LS	3L	10	1	NH-SI 3L 10A TF AC1500V LS	35089-0010
NH-SI 3L 16A TF AC1500V LS	3L	16	1	NH-SI 3L 16A TF AC1500V LS	35089-0020
NH-SI 3L 20A TF AC1500V LS	3L	20	1	NH-SI 3L 20A TF AC1500V LS	35089-0030
NH-SI 3L 25A TF AC1500V LS	3L	25	1	NH-SI 3L 25A TF AC1500V LS	35089-0040
NH-SI 3L 35A TF AC1500V LS	3L	35	1	NH-SI 3L 35A TF AC1500V LS	35089-0050
NH-SI 3L 50A TF AC1500V LS	3L	50	1	NH-SI 3L 50A TF AC1500V LS	35089-0060
NH-SI 3L 63A TF AC1500V LS	3L	63	1	NH-SI 3L 63A TF AC1500V LS	35089-0070
NH-SI 3L 80A TF AC1500V LS	3L	80	1	NH-SI 3L 80A TF AC1500V LS	35089-0080
NH-SI 3L 100A TF AC1500V LS	3L	100	1	NH-SI 3L 100A TF AC1500V LS	35089-0090
NH-SI 3L 125A TF AC1500V LS	3L	125	1	NH-SI 3L 125A TF AC1500V LS	35089-0100
NH-SI 3L 160A TF AC1500V LS	3L	160	1	NH-SI 3L 160A TF AC1500V LS	35089-0110
NH-SI 3L 200A TF AC1500V LS	3L	200	1	NH-SI 3L 200A TF AC1500V LS	35089-0120
NH-SI 3L 224A TF AC1500V LS	3L	224	1	NH-SI 3L 224A TF AC1500V LS	35089-0130
NH-SI 3L 250A TF AC1500V LS	3L	250	1	NH-SI 3L 250A TF AC1500V LS	35089-0140
NH-SI 3L 300A TF AC1500V LS	3L	300	1	NH-SI 3L 300A TF AC1500V LS	35089-0150
NH-SI 3L 315A TF AC1500V LS	3L	315	1	NH-SI 3L 315A TF AC1500V LS	35089-0160
NH-SI 3L 355A TF AC1500V LS	3L	355	1	NH-SI 3L 355A TF AC1500V LS	35089-0170
NH-SI 3L 425A TF AC1000V LS	3L	425	1	NH-SI 3L 425A TF AC1000V LS	35089-0180
NH-SI 3L 500A TF AC1000V LS	3L	500	1	NH-SI 3L 500A TF AC1000V LS	35089-0190

NH Fuse-Links 1000 V / 1500 V TF

► Technical data, page 49



35091-0190

NH Fuse-Links, size 3L, special design

Features:

- 1000 V AC (425 – 500 A) and 1500 V AC (10 – 355 A)
- 10 kA (1500 V AC)/50 kA (1000 V DC)
- TF acc. to VDE 0660 and DIN 43620-5
- Striker pin for fuse monitoring

Designation	Size	Amps	PU	Product designation	Order no.
NH-SI 3L 10A TF AC1500V SM	3L	10	1	NH-SI 3L 10A TF AC1500V SM	35091-0010
NH-SI 3L 16A TF AC1500V SM	3L	16	1	NH-SI 3L 16A TF AC1500V SM	35091-0020
NH-SI 3L 20A TF AC1500V SM	3L	20	1	NH-SI 3L 20A TF AC1500V SM	35091-0030
NH-SI 3L 25A TF AC1500V SM	3L	25	1	NH-SI 3L 25A TF AC1500V SM	35091-0040
NH-SI 3L 35A TF AC1500V SM	3L	35	1	NH-SI 3L 35A TF AC1500V SM	35091-0050
NH-SI 3L 50A TF AC1500V SM	3L	50	1	NH-SI 3L 50A TF AC1500V SM	35091-0060
NH-SI 3L 63A TF AC1500V SM	3L	63	1	NH-SI 3L 63A TF AC1500V SM	35091-0070
NH-SI 3L 80A TF AC1500V SM	3L	80	1	A NH-SI 3L 80A TF AC1500V SM	35091-0080
NH-SI 3L 100A TF AC1500V SM	3L	100	1	NH-SI 3L 100A TF AC1500V SM	35091-0090
NH-SI 3L 125A TF AC1500V SM	3L	125	1	NH-SI 3L 125A TF AC1500V SM	35091-0100
NH-SI 3L 160A TF AC1500V SM	3L	160	1	A NH-SI 3L 160A TF AC1500V SM	35091-0110
NH-SI 3L 200A TF AC1500V SM	3L	200	1	NH-SI 3L 200A TF AC1500V SM	35091-0120
NH-SI 3L 224A TF AC1500V SM	3L	224	1	NH-SI 3L 224A TF AC1500V SM	35091-0130
NH-SI 3L 250A TF AC1500V SM	3L	250	1	NH-SI 3L 250A TF AC1500V SM	35091-0140
NH-SI 3L 300A TF AC1500V SM	3L	300	1	NH-SI 3L 300A TF AC1500V SM	35091-0150
NH-SI 3L 315A TF AC1500V SM	3L	315	1	NH-SI 3L 315A TF AC1500V SM	35091-0160
NH-SI 3L 355A TF AC1500V SM	3L	355	1	NH-SI 3L 355A TF AC1500V SM	35091-0170
NH-SI 3L 425A TF AC1000V SM	3L	425	1	A NH-SI 3L 425A TF AC1000V SM	35091-0180
NH-SI 3L 500A TF AC1000V SM	3L	500	1	A NH-SI 3L 500A TF AC1000V SM	35091-0190

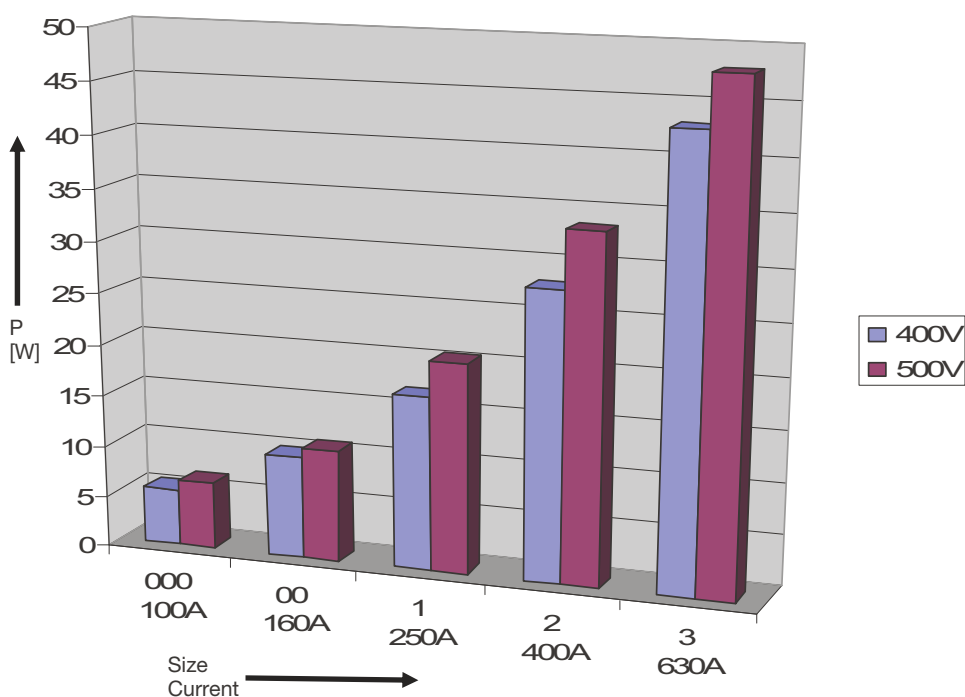
NH Fuse-Links AC 400 V gG

In energy distribution, there is an ever increasing trend toward higher energy density. The number of distribution components such as circuit breakers, fuse switches, fuse bases increases while the size of cabinets keeps becoming even more compact. However, any cabinet can only handle a limited amount of power but also represents a major cost factor. The main application in energy distribution grids is the 230/400-V range.

Thanks to their significantly lower power dissipation, EFEN's 400-V fuse-links are optimally suited for the requirements of today and also save energy. The twin indicator ensures optimal visibility of the fuse status in all installations.

- Energy-saving design with 400-V fuse element
- Reduced power and heat dissipation
- Twin indicator ensures visibility in all installations

Power dissipation of 400 V and 500 V NH Fuse-Links compared



Annual power saving per fuse-link*

Size	E
Current	[kWh]
NH 000 100A	2,6
NH 00 160A	2,9
NH 1 250A	9,2
NH 2 400A	14,5
NH 3 630A	13,1

* 80% I_n / ½ time

NH Fuse-Links AC 400 V gG

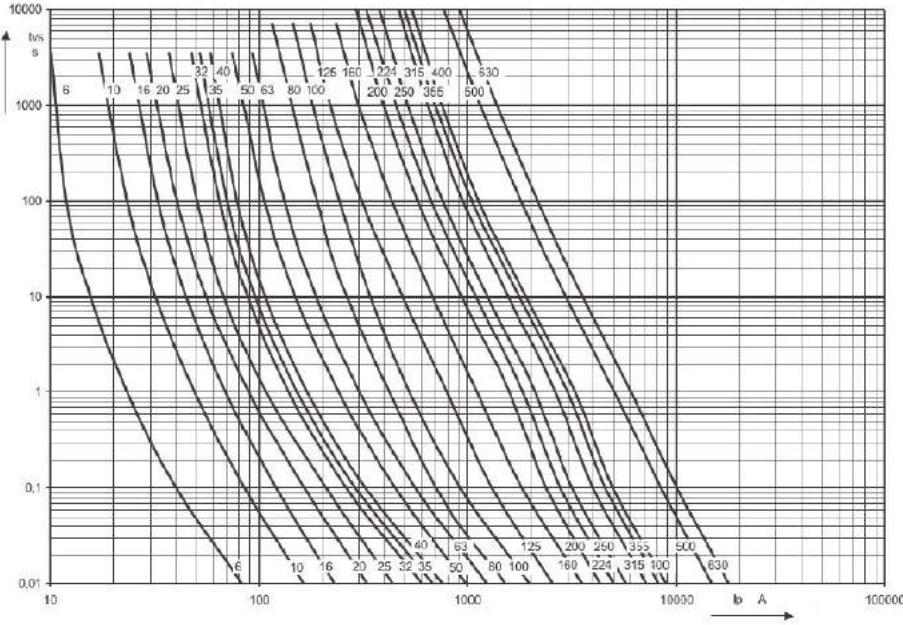
Size	Amps	PU	Non-insulated metal gripping lugs Order no.	Insulated metal gripping lugs Order no.
000	2	3	35401-0020	35406-0020
000	4	3	35401-0040	35406-0040
000	6	3	35401-0060	35406-0060
000	10	3	35401-0100	35406-0100
000	16	3	35401-0160	35406-0160
000	20	3	35401-0200	35406-0200
000	25	3	35401-0250	35406-0250
000	32	3	35401-0320	35406-0320
000	35	3	35401-0350	35406-0350
000	40	3	35401-0400	35406-0400
000	50	3	35401-0500	35406-0500
000	63	3	35401-0630	35406-0630
000	80	3	35401-0800	35406-0800
000	100	3	35401-1000	35406-1000
00	125	3	35402-1250	35407-1250
00	160	3	35402-1600	35407-1600
1	16	3	35403-0160	35408-0160
1	20	3	35403-0200	35408-0200
1	25	3	35403-0250	35408-0250
1	32	3	35403-0320	35408-0320
1	35	3	35403-0350	35408-0350
1	40	3	35403-0400	35408-0400
1	50	3	35403-0500	35408-0500
1	63	3	35403-0630	35408-0630
1	80	3	35403-0800	35408-0800
1	100	3	35403-1000	35408-1000
1	125	3	35403-1250	35408-1250
1	160	3	35403-1600	35408-1600
1	200	3	35403-2000	35408-2000
1	224	3	35403-2240	35408-2240
1	250	3	35403-2500	35408-2500
2	35	3	35404-0350	35409-0350
2	50	3	35404-0500	35409-0500
2	63	3	35404-0630	35409-0630
2	80	3	35404-0800	35409-0800
2	100	3	35404-1000	35409-1000
2	125	3	35404-1250	35409-1250
2	160	3	35404-1600	35409-1600
2	200	3	35404-2000	35409-2000
2	224	3	35404-2240	35409-2240
2	250	3	35404-2500	35409-2500
2	315	3	35404-3150	35409-3150
2	355	3	35404-3550	35409-3550
2	400	3	35404-4000	35409-4000
3	250	1	35405-2500	35410-2500
3	300	1	35405-3000	35410-3000
3	315	1	35405-3150	35410-3150
3	400	1	35405-4000	35410-4000
3	425	1	35405-4250	35410-4250
3	500	1	35405-5000	35410-5000
3	630	1	35405-6300	35410-6300

For cable and line protection
 Rated voltage: AC 400V
 Utilization category: gG acc. to VDE 0636-2 and VDE 60269-2
 Application: For cable and line protection
 Breaking capacity: 100 kA

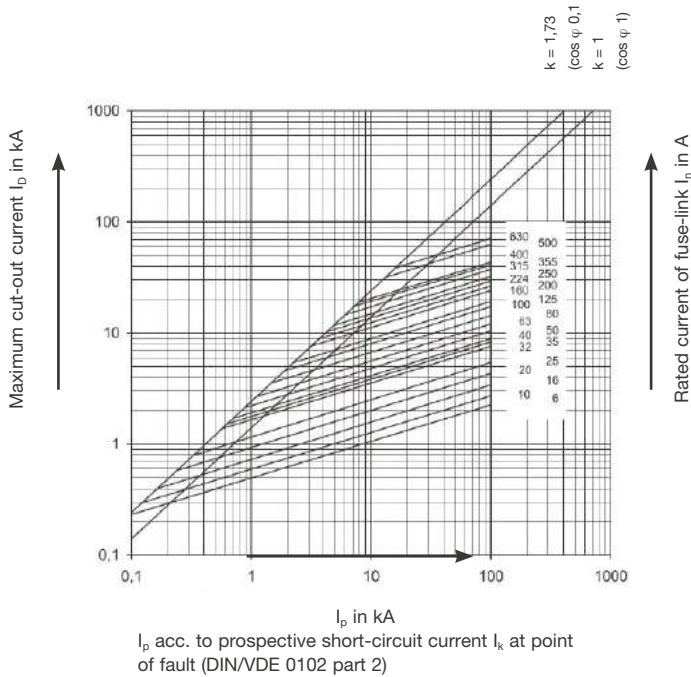
NH Fuse-Links AC 400V gG

Fuse-Links

Time-current characteristics NH Fuse-Links of size 000 – 3, gG, 400 V AC, VDE 0636 part 2 and IEC 60269-2



Cut-out current characteristics NH Fuse-Links size 000 – 3, gG, 400 V AC, VDE 0636 part 2 and IEC 60269-2



NH Fuse-Links AC 400V gG

Rated power dissipation P_a in Watts of NH Fuse-Links size 000 – 3, gG, AC 400 V, acc. to VDE 0636 part 2 and IEC 60269-2

I_n A	Size				
	000	00	1	2	3
6	1,7				
10	1,0				
16	1,8				
20	2,0				
25	2,4				
32	2,6				
35	3,2				
40	3,1				
50	3,5		4,5		
63	4,5	4,5	5,7		
80	5,0	5,0	5,5		
100	5,5	5,5	7,0	7,3	
125		8,6	9,1	9,1	
160		9,6	13,0	13,0	
200			13,1	13,5	
224			15,1	15,1	
250			16,9	18,0	
315				19,9	22,7
355				22,7	28,0
400				28,0	
500					30,8
630					43,0

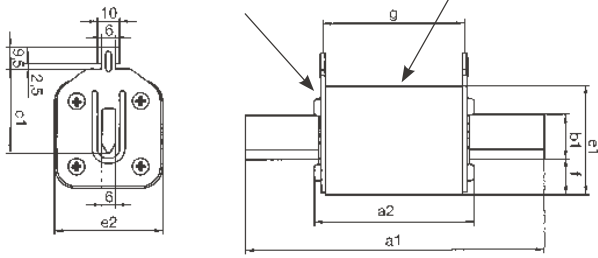
Pre-arcing integrals and operating integrals in A²s NH Fuse-Links size 000 – 3, gG, AC 400 V, acc. to VDE 0636 part 2 and IEC 60269-2

I_n A	Size									
	000		00		1		2		3	
	Pre-arcing	Operating	Pre-arcing	Operating	Pre-arcing	Operating	Pre-arcing	Operating	Pre-arcing	Operating
6	53	160								
10	115	570								
16	220	1 150								
20	455	2 400								
25	880	3 700								
32	2 450	9 000								
35	3 150	11 500			3 150	11 500	3 150	11 500		
40	3 950	14 000			3 950	14 000	-	-		
50	6 450	22 500			6 450	22 500	6 450	22 500		
63	9 950	35 500	9 950	35 500	9 950	35 500	9 950	35 500		
80	16 950	59 500	16 950	59 500	16 950	59 500	16 950	59 500		
100	28 500	100 300	28 500	100 300	28 500	100 300	28 500	100 300		
125			38 500	139 500	38 500	139 500	38 500	139 500		
160			76 500	279 000	76 500	279 000	76 500	279 000		
200					126 000	458 000	126 000	458 000		
224					171 000	610 000	171 000	610 000		
250					224 000	797 000	224 000	797 000	224 000	797 000
315							353 000	1 221 000	353 000	1 221 000
355							464 000	1 617 000	-	-
400							552 000	1 924 000	552 000	1 924 000
500									1 672 000	4 672 000
630									2 381 000	6 837 000

NH Fuse-Links AC 500 V gG

Fuse-Links

Dimensions acc. t



Size	Rated current	a ₁	a ₂	b ₁	c ₁	e ₁	e ₂	g
000		78,5	53	15	35	40	21	47
00	max. 160 A	78,5	53	15	35	47	30	47
1	max. 160 A	135	71	15	40	47	30	65
1	200 – 250 A	135	71	20	40	52	40	65
2	max. 250 A	150	72	20	48	52	40	65
2	300 – 400 A	150	72	26	48	60	51	65
3	max. 400 A	150	72	26	60	60	51	65
3	500 – 630 A	150	72	33	60	74	70	65
4a		200	96	50	85	109	98	86

For cable and line protection

Rated voltage: AC 500 V / DC see page 37
 Utilization category: gG acc. to VDE 0636-2 and VDE 0636-1, IEC 60269-1, IEC 60269-2

Application: For cable and line protection
 Breaking capacity: 120 kA (AC 500 V) / DC see page 37

Electrical characteristics:

The time/current characteristics are matched to the cable and line capacities. Accordingly, the lines protected can be operated at optimal load as the breaking in case of overload is slow, but quick in the event of a short-circuit.

Even if devices of different brands are used that comply with the specifications, the definition of time-current ranges for category gG according to VDE 0636 and IEC 60269 ensures a selectivity of 1:1.6 at rated currents of ≥ 16 Amps.

Size	Amps	PU	Non-insulated metal gripping lugs Order no.	Insulated plastic gripping lugs Order no.	Insulated metal gripping lugs Order no.
000	2	3	35000-0020	35001-0020	
000	4	3	35000-0040	35001-0040	
000	6	3	35000-0060	35001-0060	
000	10	3	35000-0100	35001-0100	
000	16	3	35000-0160	35001-0160	
000	20	3	35000-0200	35001-0200	
000	25	3	35000-0250	35001-0250	
000	32	3	35000-0320	35001-0320	
000	35	3	35000-0350	35001-0350	
000	40	3	35000-0400	35001-0400	
000	50	3	35000-0500	35001-0500	
000	63	3	35000-0630	35001-0630	
000	80	3	35000-0800	35001-0800	
000	100	3	35000-1000	35001-1000	
00	2	3	35011-0010		35165-0010
00	4	3	35011-0020		35165-0020
00	6	3	35011-0030		35165-0030
00	10	3	35011-0040		35165-0040
00	16	3	35011-0050		35165-0050
00	20	3	35011-0060		35165-0060
00	25	3	35011-0070		35165-0070
00	32	3	35011-0080		35165-0080
00	35	3	35011-0090		35165-0090
00	40	3	35011-0100		35165-0100
00	50	3	35011-0110		35165-0110
00	63	3	35011-0120		35165-0120
00	80	3	35011-0130		35165-0130
00	100	3	35011-0140		35165-0140
00	125	3	35011-0150		35165-0150
00	160	3	35011-1090		35165-0160
1	25	3	35035-0050		35204-0050
1	32	3	35035-1220		35204-0160
1	35	3	35035-0060		35204-0060
1	40	3	35035-1230		35204-0170
1	50	3	35035-0070		35204-0070
1	63	3	35035-0080		35204-0080
1	80	3	35035-0090		35204-0090
1	100	3	35035-0100		35204-0110
1	125	3	35035-0110		35204-0110
1	160	3	35035-0120		35204-0120
1	200	3	35035-0130		35204-0130
1	224	3	35035-0140		35204-0140
1	250	3	35035-0150		35204-0150

NH Fuse-Links AC 500 V gG

Size	Amps	PU	Non-insulated metal gripping lugs Order no.	Insulated metal gripping lugs Order no.
2	25	3	35054-0010	
2	35	3	35054-0020	
2	50	3	35054-0030	
2	63	3	35054-0040	35116-0040
2	80	3	35054-0050	35116-0050
2	100	3	35054-0060	35116-0060
2	125	3	35054-0070	35116-0070
2	160	3	35054-0080	35116-0080
2	200	3	35054-0090	35116-0090
2	224	3	35054-0100	35116-0100
2	250	3	35054-0110	35116-0110
2	(300)	3	35054-0120	35116-0120
2	315	3	35054-0130	35116-0130
2	(355)	3	35054-0140	35116-0140
2	400	3	35054-0150	35116-0150
3	63	3	35078-0340	35420-1000
3	80	3	35078-0350	35420-1250
3	100	3	35078-0360	35420-1600
3	125	3	35078-0370	35420-2000
3	160	3	35078-0380	35420-2240
3	200	3	35078-0390	35420-2500
3	224	3	35078-0400	35420-3000
3	250	3	35078-0410	35420-3150
3	(300)	3	35078-0190	35420-3550
3	315	3	35078-0010	35420-4000
3	(355)	3	35078-0020	35420-4250
3	400	3	35078-0030	35420-5000
3	(425)	3	35078-0040	35420-6300
3	500	3	35078-0050	
3	630	3	35078-0060	
4a	400	1	35097-0120	
4a	500	1	35097-0010	
4a	630	1	35097-0020	
4a	800	1	35097-0030	
4a	1000	1	35097-0040	
4a	1250	1	35097-0050	
4a	1600	1	35097-0110	

Breaking capacity DC 500 V gG fuses:

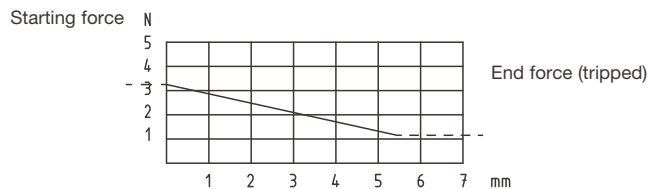
Size 000:	40 kA, 250 V DC
Size 00:	40 kA, 250V DC
Size 1:	40 kA, 250 V DC
	80 kA, 400 V DC
Size 2:	40 kA, 250 V DC
	80 kA, 440 V DC
Size 3:	40 kA, 250 V DC
	80 kA, 400 V DC
Size 4a:	80 kA, 440 V DC

() = Dimensions according to DIN, rated current not standardized in VDE 0636

NH Fuse-Links size 00 with striker

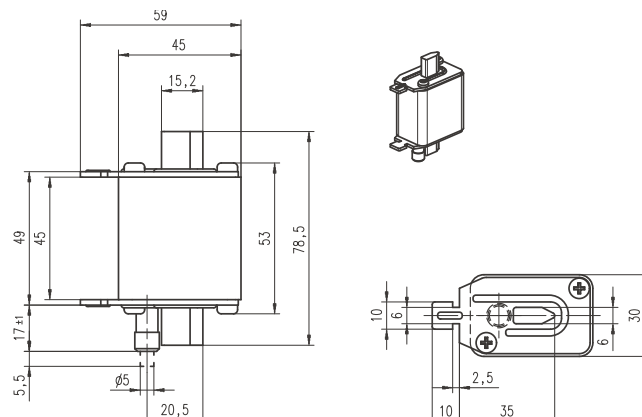
In combination with a micro switch, EFEN NH fuse-links size 00 with striker can be used for fuse monitoring.

Force-distance diagram of the striker



NH Fuse-Links for cable and line protection size 00, 500 V AC, utilization category gL/gG, with striker

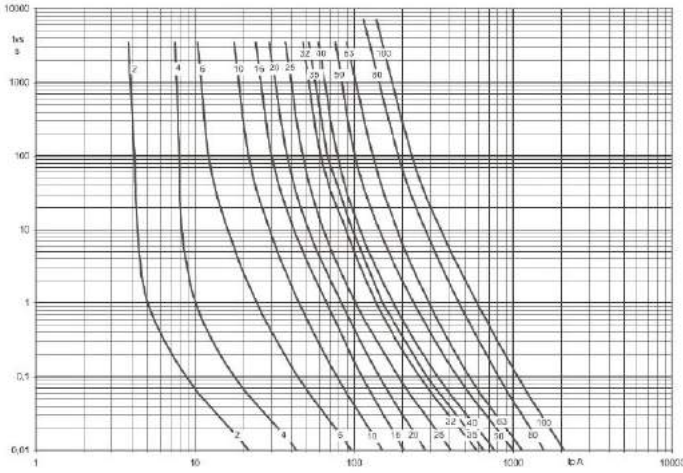
Amps	Designation	Order no.
6	NH-Si 00 6A gL SM	35207-0010
10	NH-Si 00 10A gL SM	35207-0020
16	NH-Si 00 16A gL SM	35207-0030
20	NH-Si 00 20A gL SM	35207-0040
25	NH-Si 00 25A gL SM	35207-0050
32	NH-Si 00 32A gL SM	35207-0060
35	NH-Si 00 35A gL SM	35207-0070
40	NH-Si 00 40A gL SM	35207-0080
50	NH-Si 00 50A gL SM	35207-0090
63	NH-Si 00 63A gL SM	35207-0100
80	NH-Si 00 80A gL SM	35207-0110
100	NH-Si 00 100A gL SM	35207-0120
125	NH-Si 00 125A gL SM	35207-0130



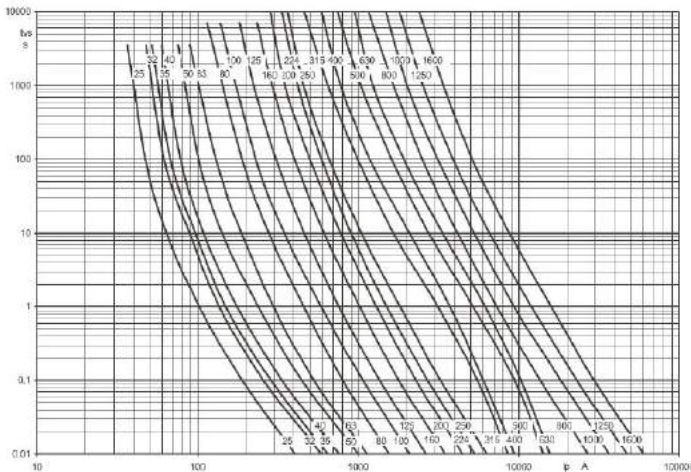
NH Fuse-Links AC 500 V gG

Fuse-Links

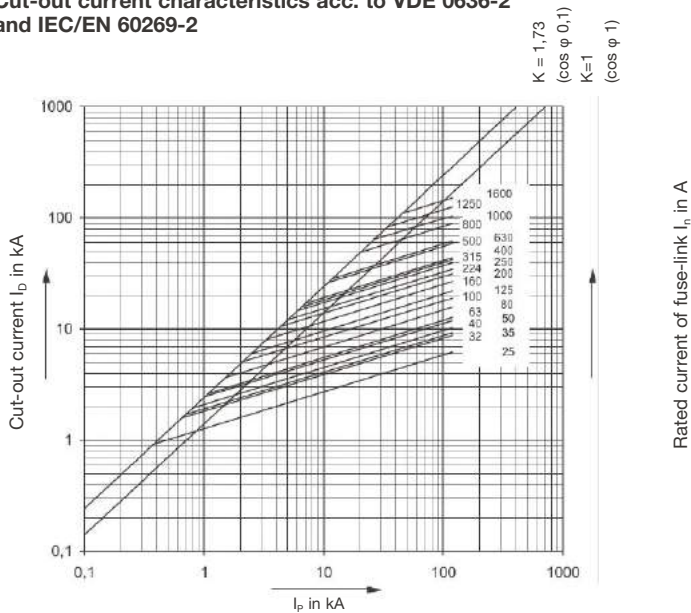
For cable and line protection
 Time-current characteristics NH Fuse-Links size 000 acc. to VDE 0636-2 and IEC/EN 60269-2



Time-current characteristics NH Fuse-Links size 00 – 4a gG 500 V AC acc. to VDE 0636-2 and IEC/EN 60269-2



Cut-out current characteristics acc. to VDE 0636-2 and IEC/EN 60269-2



$K = 1,73$
 (cos φ 0,1)
 $K = 1$
 (cos φ 1)

Rated current of fuse-link I_n in A

I_p acc. to prospective short-circuit current I_k at point of fault (DIN/VDE 0102 part 2)

NH Fuse-Links AC 500 V gG

Rated power dissipation P_w warm NH Fuse-Links size 000 – 4a gG AC 500 V acc. to VDE 0636-2 and IEC/EN 60269-2

I_n A	Size					
	000	00	1	2	3	4a
6	1,6					
10	1,1					
16	1,8		1,8			
20	2,3		2,3			
25	2,4	2,4	2,4			
32	3,1	3,1	3,1			
35	3,0	3,0	3,0			
40	3,7	3,7	3,7			
50	4,1	4,1	4,1	4,1		
63	5,4	5,6	6,6	6,8		
80	6,5	6,8	8,0	8,3		
100	7,5	7,5	9,4	10,7		
125		10,0	11,8	12,2		
160		12,0	14,6	15,0		
200			18,0	18,5		
224			19,0	19,2	20,0	
250			20,0	20,6	21,1	
315				25,0	25,0	
355				31,5	32,0	
400				28,5	34,0	31,2
500					43,0	36,5
630					43,1	44,4
800						68,0
1000						72,9
1250						100,5
1600						126,2

Pre-arcing integrals and operating integrals in A²s of NH Fuse-Links size 000 – 4a, gG, AC 500 V, acc. to VDE 0636-2 and IEC/EN 60269-2

I_n A	Size											
	000		00		1		2		3		4a	
	Pre-arcing	Operating	Pre-arcing	Operating	Pre-arcing	Operating	Pre-arcing	Operating	Pre-arcing	Operating	Pre-arcing	Operating
6	53,6	280										
10	109	490										
16	199	890										
20	430	1930										
25	890	4010	890	4010	990	4010	990	4010				
32	2475	6900	2475	6900	2475	6900	2475	6900				
35	2990	8380	2990	8380	2990	8380	2990	8380				
40	3970	10100	3970	10100	3970	10100	3970	10100				
50	6330	16150	6330	16150	6330	16150	6330	16150				
63	7430	20800	7430	20800	7430	20800	7430	20800	7430	20800		
80	14250	39900	14250	39900	14250	39900	14250	39900	14250	39900		
100	25340	70900	25340	70900	25340	71000	25340	71000	25340	71000		
125			39600	110800	39600	111000	39600	111000	39600	111000		
160			70400	197100	70400	197100	70400	197100	70400	197100		
200					114400	320000	114400	320000	114400	320000		
224					158400	444000	158400	444000	158400	444000		
250					228000	639000	228000	639000	228000	639000		
315							275900	773000	275900	773000		
355							356400	998000	356400	998000		
400							431200	1207000	431200	1207000	610500	927000
500									766600	2147000	1025 10 ³	1618 10 ³
630									912300	3013000	1767 10 ³	2600 10 ³
800											3499 10 ³	5449 10 ³
1000											5878 10 ³	8708 10 ³
1250											12164 10 ³	18676 10 ³
1600											20347 10 ³	31278 10 ³

NH Fuse-Links 500 V AC gL

Fuse-Links

For cable and line protection in meshed main systems

(ageing-resistant)
 Rated voltage: AC 500 V
 Utilization category: gL/gG acc. to VDE 0636-21 and IEC 60269-2
 Application: For cable and line protection
 Breaking capacity: 120 kA (size 00 – 2)

Electrical characteristics

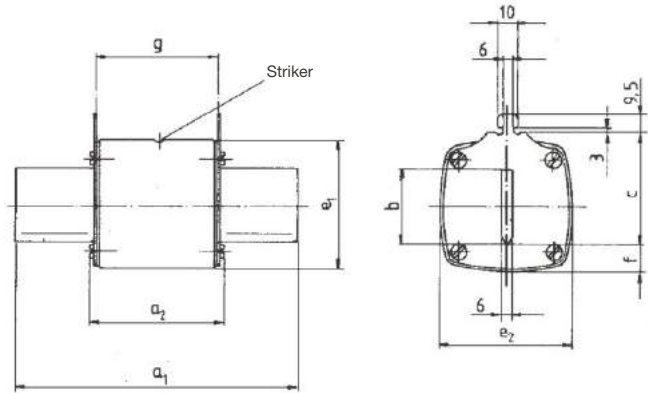
The time/current characteristics are matched to the cable and line capacities. Accordingly, the lines protected can be operated at optimal load as the breaking in case of overload is slow, but quick in the event of a short-circuit.

Even if devices of different brands are used that comply with the specifications, the definition of time-current ranges for category gL/gG acc. to VDE 0636 and IEC 60269-2 ensures a selectivity of 1:1.6. EFEN 500 V gL/gG fuse-links used in a 400 V grid have a selectivity of 1:1.25 for rated currents ≥ 16 A, i.e. between the increments of the rated currents.

EFEN PURE SILVER NH fuse-links 500 V gL/gG are specifically suited for use in meshed mains systems and show a selectivity factor of 0.79 when used in 400 V grids. Accordingly, if the maximum partial short-circuit current does not exceed 79% of the total short-circuit current, only the fuse-link closest to the failure point will be tripped. Thanks to the pure silver fuse element, this favourable factor is maintained throughout the component's entire service life.

Note: When used in meshed main systems, standard indicators do usually not respond reliably because of the low differential voltages. Please inquiry for a solution by EFEN.

Dimensions: DIN 43620-1



Size	a ₁	a ₂	b	c	e ₁	e ₂	f	g
00 ¹⁾	78,5	53	15	35	40	28	12,5	47
0	125	67	15	35	38	35	11,5	65
1 ²⁾	135	74	20	40	38	35	9	65
1 ³⁾	135	74	24,5	40	45	45	10	65
2 ⁴⁾	150	74	25	48	45	45	10	65
2 ⁵⁾	150	72	30	48	59	59	14,5	65
3 ⁶⁾	150	72	40	60	70	70	15	65

- ¹⁾ Rated current up to 160 A
- ²⁾ Rated current up to 125 A
- ³⁾ Rated current 160 – 250 A
- ⁴⁾ Rated current up to 250 A
- ⁵⁾ Rated current 300 – 400 A
- ⁶⁾ Rated current up to 630 A

Rated power dissipation in Watts NH Fuse-Links Size 00 – 3 gL AC 500 V VDE 0636-2 and IEC/EN 60269-2

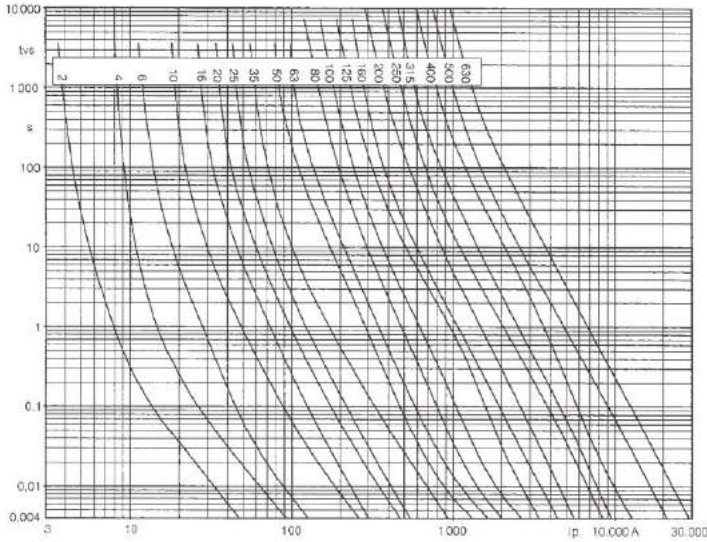
I _n A	Size			
	00	1	2	3
2	0,25			
4	0,5			
6	1,0			
10	1,5			
16	1,9			
20	2,0			
25	2,2			
35	3,0			
50	3,75			
63	4,5			
80	4,8			
100	5,8			
125	8,8			
160	9,7			
200		15,7		
224		15,8		
250		16,4		
315			24,3	
355			26,2	
400			28,1	
500				33,0
630				42,0

Breaking capacity DC 500 V gL

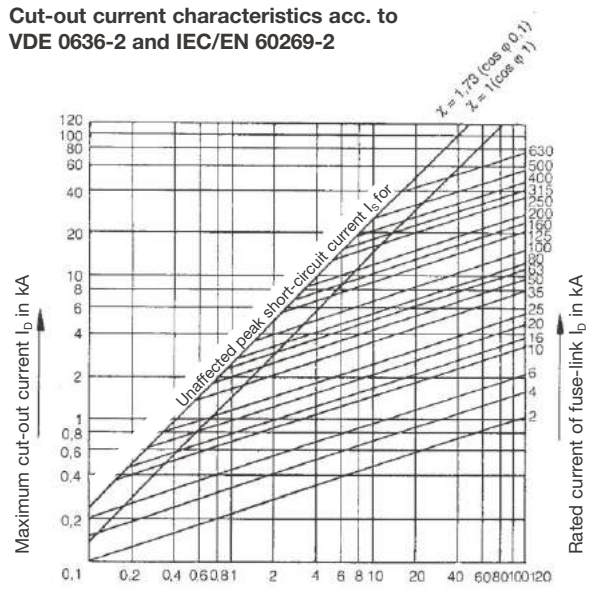
Size 00: 35 kA, 250V DC
 Size 1: 35 kA, 440 V DC
 Size 2: 35 kA, 440 V DC

NH Fuse-Links 500 V AC gL

Time-current characteristics acc. to VDE 0636-2 and IEC/EN 60269-2

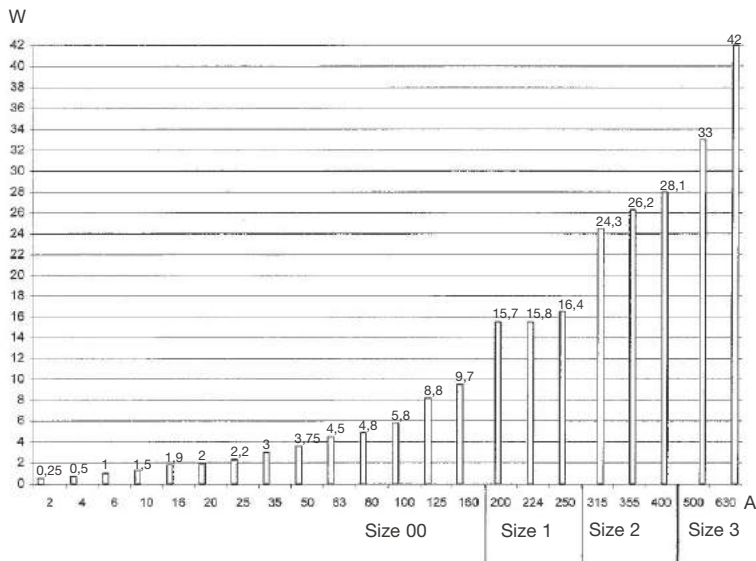


Cut-out current characteristics acc. to VDE 0636-2 and IEC/EN 60269-2

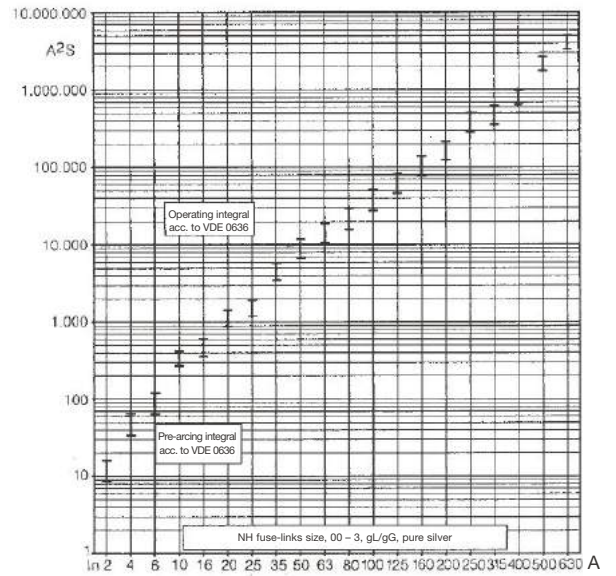


I_0 acc. to prospective short-circuit current I_k at point of fault (DIN/VDE 0102 part 2)

Rated power dissipation acc. to VDE 0636-2 and IEC/EN 60269-2



Pre-arcing and operating integrals acc. to VDE 0636-2 and IEC/EN 60269-2



NH Fuse-Links AC 690 V gG

Fuse-Links

For cable and line protection

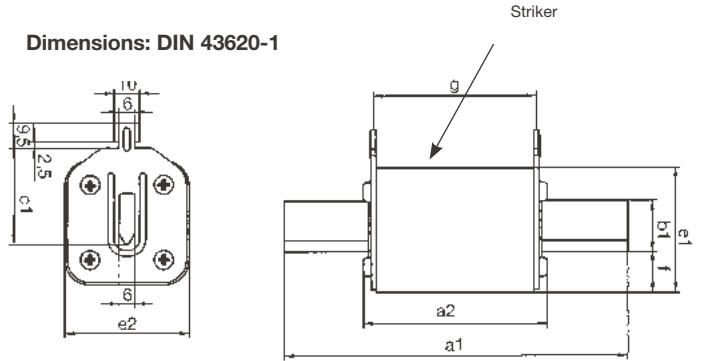
Rated voltage: AC 690 V
 Utilization category: gG acc. to VDE 0636-2 and VDE 0636-1, IEC 60269-2, IEC 60269-1
 Application: For cable and line protection
 Breaking capacity: 100 kA (630 A, 50 kA)

Size	Amps	PU	Metal gripping lugs Order no.
000	2	3	35421-0020
000	4	3	35421-0040
000	6	3	35421-0060
000	10	3	35421-0100
000	16	3	35421-0160
000	20	3	35421-0200
000	25	3	35421-0250
000	32	3	35421-0320
000	35	3	35421-0350
000	40	3	35421-0400
000	50	3	35421-0500
000	63	3	35421-0630
000	80	3	35422-0800
000	100	3	35422-1000
000	125	3	35422-1250
1	25	3	35423-0250
1	32	3	35423-0320
1	35	3	35423-0350
1	40	3	35423-0400
1	50	3	35423-0500
1	63	3	35423-0630
1	80	3	35423-0800
1	100	3	35423-1000
1	125	3	35423-1250
1	160	3	35423-1600
1	200	3	35423-2000
1	250	3	35423-2500
2	25	3	35424-0250
2	35	3	35424-0350
2	50	3	35424-0500
2	63	3	35424-0630
2	80	3	35424-0800
2	100	3	35424-1000
2	125	3	35424-1250
2	160	3	35424-1600
2	200	3	35424-2000
2	250	3	35424-2500
2	315	3	35424-3150
2	355	3	35424-3550
2	400	3	35424-4000
3	80	3	35425-0800
3	100	3	35425-1000
3	125	3	35425-1250
3	160	3	35425-1600
3	200	3	35425-2000
3	224	3	35425-2240
3	250	3	35425-2500
3	315	3	35425-3150
3	355	3	35425-3550
3	400	3	35425-4000
3	425	3	35425-4250
3	500	3	35425-5000
3	630	3	35425-6300

Electrical characteristics:

The time/current characteristics are matched to the cable and line capacities. Accordingly, the lines protected can be operated at optimal load as the breaking in case of overload is slow, but quick in the event of a short-circuit.

Dimensions: DIN 43620-1



Size	Rated current	a ₁	a ₂	b ₁	c ₁	e ₁	e ₂	g
000	6-63 A	78,5	53	15	35	37	21	47
00	80-100 A	78,5	53	15	35	45	30	47
1	25-160 A	135	70	15	40	45	30	65
1	200-250 A	135	70	20	40	50	50	65
2	25-250 A	150	71	20	48	50	50	65
2	315-400 A	150	71	26	48	58	58	65
3	63-400 A	150	71	26	60	58	58	65
3	500 A, 630 A	150	74	32	60	71	71	65

Rated power dissipation P_a in Watts NH Fuse-Links size 000 – 3 gG AC 690 V VDE 0636-2 IEC 60269-2

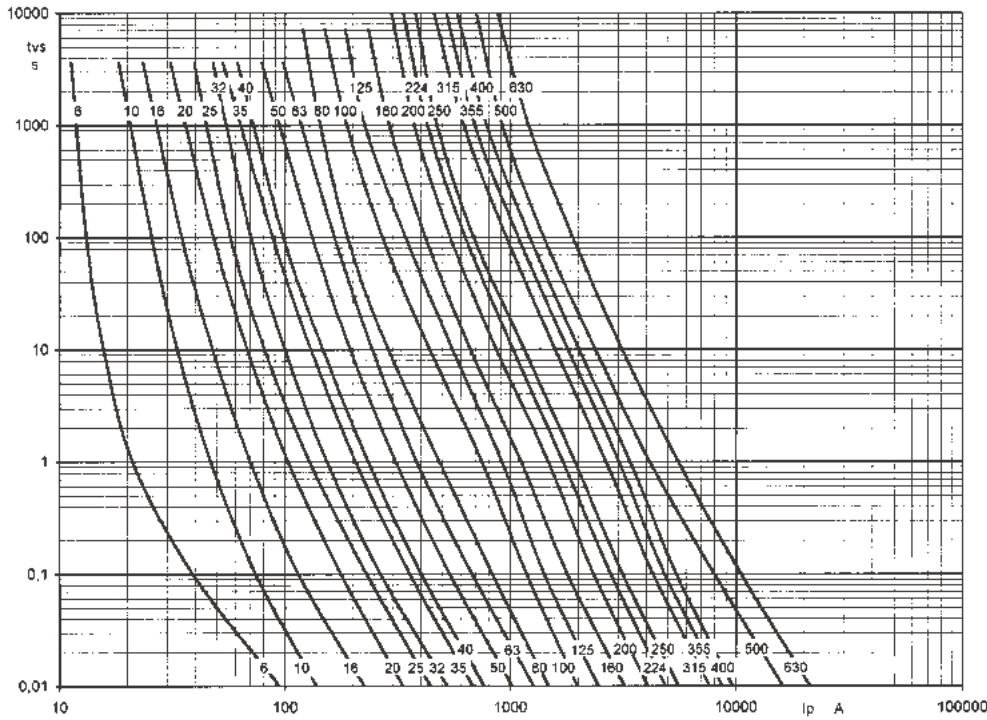
I _n A	Size				
	000	00	1	2	3
2	1,9				
4	1,5				
6	1,6				
10	1,7				
16	2,5				
20	2,6				
25	2,8		3,6		
32	3,1		3,7		
35	3,2		3,9	3,7	
40	3,7		4,4	4,4	
50	4,1		4,8	5,4	
63	5,4		6,6	6,8	
80		6,8	8,0	8,3	
100		7,5	9,4	10,7	
125		10,0	11,8	12,2	
160			14,6	15,5	
200			19,0	19,0	
224			-	-	
250			22,0	22,0	21,1
315				27,0	25,0
355				32,0	32,0
400					34,0
500					43,0
630					52,0

() = Dimensions according to DIN, rated current not standardized in VDE 0636

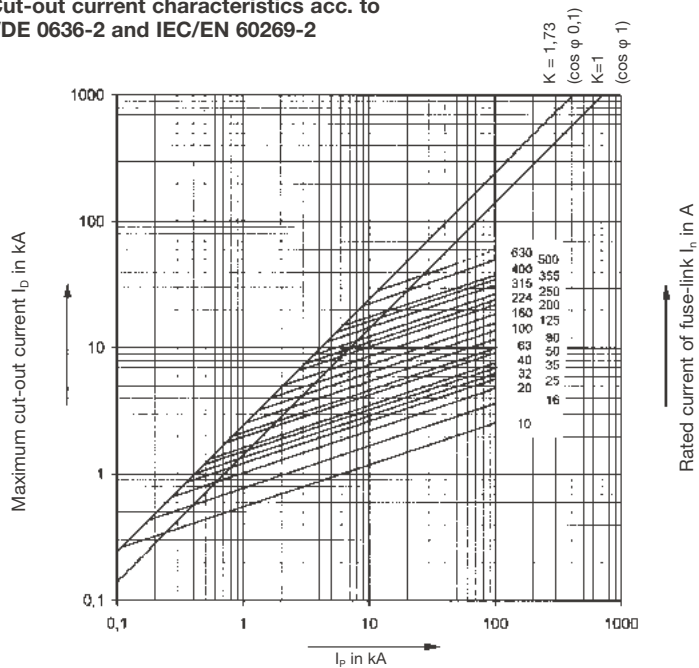
NH Fuse-Links AC 690 V gG

For cable and line protection

Time-current characteristics acc. to VDE 0636-2 and IEC/EN 60269-2



Cut-out current characteristics acc. to VDE 0636-2 and IEC/EN 60269-2



I_p acc. to prospective short-circuit current I_k at point of fault (DIN/VDE 0102 part 2)

Breaking capacity of DC 690 V gG fuses:

- Size 000: 40 kA, 250 V DC
- Size 00: 40 kA, 250 V DC
- Size 1: 80 kA, 440 V DC
- Size 2: 40 kA, 250 V DC
- 80 kA, 440 V DC
- Size 3: 40 kA, 250 V DC
- 80 kA, 400 V DC

NH Fuse-Links AC 400 V gTr

For transformer protection

Rated voltage: AC 400 V

Utilization category: gTr acc. to VDE 0636-2011

Application: For transformer protection

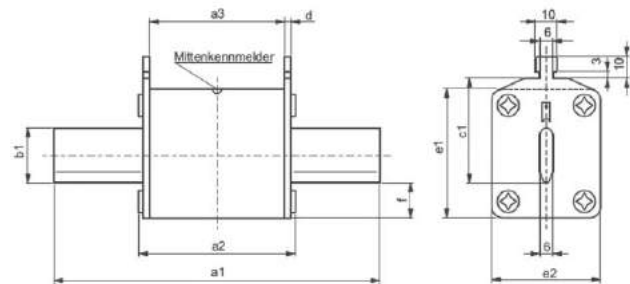
Breaking capacity: 100 kA

Size	Amps	kVA	PU	Metal gripping lugs Order no.
2	(72)	50	3	35076-1010
2	(108)	75	3	35076-1020
2	(144)	100	3	35076-1030
2	(180)	125	3	35076-1040
2	(231)	160	3	35076-1050
2	(289)	200	3	35076-1060
2	(361)	250	3	35076-1070
3	(144)	100	3	35081-1040
3	(231)	160	3	35081-1060
3	(289)	200	3	35081-1050
3	(361)	250	3	35081-1010
3	(455)	315	3	35081-1020
3	(577)	400	3	35081-1030
3	(722)	500	3	35081-0100
3	(909)	630	3	35081-0110
4a	(144)	100	1	35100-0100
4a	(231)	160	1	35100-0110
4a	(289)	200	1	35100-0160
4a	(361)	250	1	35100-0120
4a	(455)	315	1	35100-0170
4a	(577)	400	1	35100-0130
4a	(722)	500	1	35100-0140
4a	(909)	630	1	35100-0150
4a	(1155)	800	1	35100-0040
4a	(1443)	1000	1	35100-0190

() = Dimensions according to DIN, rated current not standardized in VDE 0636

Electrical characteristics:

Time-current characteristics are matched to the thermal capacity of the transformers and the time-current characteristics of the high-voltage fuse-links. The gTr fuse-link supplements the high-voltage fuse-link in the "non-permissible" overcurrent range. This allows a better utilization of the transformers' overload capacities. EFEN transformer fuse-links are able to carry the 1.3-fold of the transformer rated current for a minimum period of 10 hours. The fuse-link trips at the 1.5-fold transformer rated current within a period of 2 hours. Transformer fuse-links are designated in accordance with the transformer rated current in kVA.

Dimensions: DIN 43620-1

NH Fuse-Links AC 400 V gTr with non-insulated gripping lugs

Size	Rated current	a1	a2	a3	d	b1	c1	e1	e2	f
2/	50 – 160 kVA	150	72	62	2,5	20	48	48	40	12
2	200 – 250 kVA	150	72	62	2,5	25	48	59	50	14
3/	100 – 250 kVA	150	73	62	2,8	25	60	59	50	13
3	315 – 630 kVA	150	73	62	2,8	32	60	71	71	17
4a/	100 – 400 kVA	200	96	84	3	32	85	71	73	18
4	500 – 1000 kVA	200	96	84	4	50	85	109	98	27

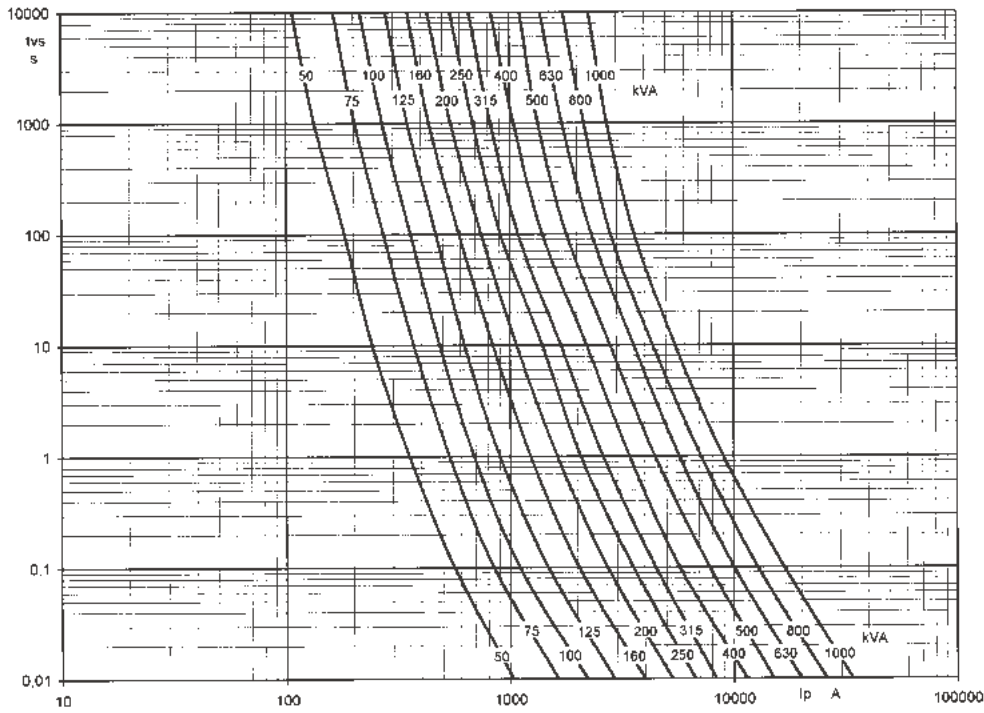
Rated power dissipation P_a in Watts of NH Fuse-Links size 2 – 4a gTr AC 400 V VDE 0636 part 2011

Transformer rated output	Rated current	Size		
		2	3	4a
50	72	5,5	5,5	
75	102	7,8	7,8	
100	144	10,6	10,1	12,0
125	180	12,8	12,8	15,0
160	231	15,7	16,2	14,8
200	289	16,0	16,0	22,5
250	361	21,0	20,6	28,0
315	455	25,0	25,0	31,5
400	577		31,0	39,0
500	722		53,0	49,0
630	909		62,0	66,0
800	1155			81,0
1000	1443			110,0

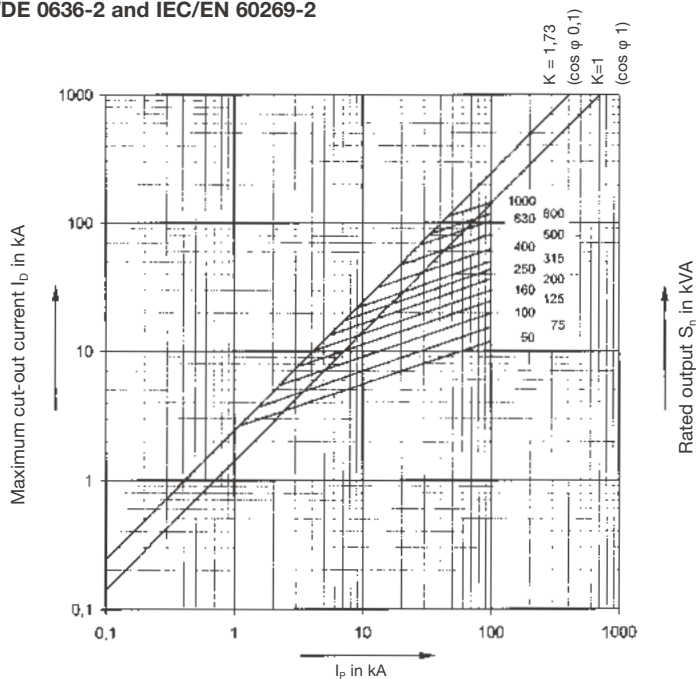
NH Fuse-Links AC 400 V gTr

For transformer protection

Time-current characteristics acc. to VDE 0636-2 and IEC/EN 60269-2



Cut-out current characteristics acc. to VDE 0636-2 and IEC/EN 60269-2



I_p acc. to prospective short-circuit current I_k at point of fault (DIN/VDE 0102 part 2)

NH Fuse-Links AC 500 V gR

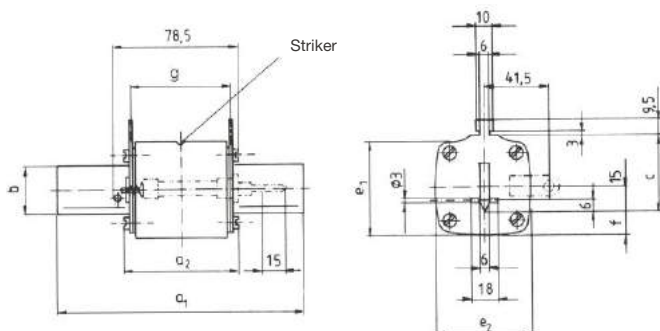
For semiconductor protection – pure silver fuse element
 Rated voltage: AC 500 V
 Utilization category: gR acc. to VDE 0636-4
 Application: For semiconductor protection
 Breaking capacity: 120 kA

Without striker

Size	Amps	PU	Metal gripping lugs Order no.
00	16	3	35024-0180
00	20	3	35024-0170
00	25	3	35024-0190
00	35	3	35024-0010
00	40	3	35024-0020
00	50	3	35024-0030
00	63	3	35024-0040
00	80	3	35024-0050
00	100	3	35024-0060
00	125	3	35024-0070
00	160	3	35024-0080
1	35	3	35040-0010
1	50	3	35040-0020
1	63	3	35040-0030
1	80	3	35040-0040
1	100	3	35040-0050
1	125	3	35040-0060
1	160	3	35040-0070
1	200	3	35040-0080
1	(224)	3	35040-0090
1	250	3	35040-0100
2	80	3	35058-0010
2	100	3	35058-0020
2	125	3	35058-0030
2	160	3	35058-0040
2	200	3	35058-0050
2	(224)	3	35058-0060
2	250	3	35058-0070
2	(300)	3	35058-0080
2	315	3	35058-0090
2	(355)	3	35058-0100
2	400	3	35058-0110
3	315	1	35079-0010
3	(355)	1	35079-0020
3	400	1	35079-0030
3	(425)	1	35079-0040
3	500	1	35079-0050
3	630	1	35079-0060

() = Dimensions according to DIN,
 rated current not standardized in VDE 0636

Dimensions: DIN 43620-1



Electrical characteristics:

EFEN NH fuse-links for semiconductor protection feature the following properties:

1. ultra-quick time-current characteristics adjusted to protection requirements
 2. a low arc voltage characteristic with low overvoltage
- EFEN gR fuse-links may be used as full-range fuses for overload and short-circuit protection or in conjunction with other overcurrent protection devices to provide short-circuit protection only.

Variant with striker:

A spring-loaded striker pin is provided in parallel with the fuse-link. When the NH fuse-link trips, the striker pin is released, actuating the micro-switch on the NH fuse-base.

With striker

Size	Amps	PU	Metal gripping lugs Order no.
00	16	3	35218-0010
00	20	3	35218-0020
00	25	3	35218-0030
00	35	3	35218-0040
00	40	3	35218-0050
00	50	3	35218-0060
00	63	3	35218-0070
00	80	3	35218-0080
00	100	3	35218-0090
00	125	3	35218-0100
1	35	1	35046-0010
1	50	1	35046-0020
1	63	1	35046-0030
1	80	1	35046-0040
1	100	1	35046-0050
1	125	1	35046-0060
1	160	1	35046-0070
1	200	1	35046-0080
1	(224)	1	35046-0090
1	250	1	35046-0100
2	80	1	35060-0050
2	100	1	35060-0060
2	125	1	35060-0070
2	160	1	35060-0080
2	200	1	35060-0090
2	(224)	1	35060-0100
2	250	1	35060-0110
2	(300)	1	35060-0120
2	(315)	1	35060-0130
2	355	1	35060-0140
2	400	1	35060-0150
3	315	1	35086-0010
3	(355)	1	35086-0020
3	400	1	35086-0030
3	(425)	1	35086-0040
3	500	1	35086-0050
3	630	1	35086-0060

Size	a ₁	a ₂	b	c	e ₁	e ₂	f	g
00	78,5	53	15	35	40	28	12,5	47
0	125	67	15	35	38	35	11,5	65
1	135	71	24,5	40	45	45	10	65
2	150	72	30	48	59	59	14,5	65
3	150	72	40	60	70	70	15	65

NH Fuse-Links AC 500 V gR

Rated power dissipation in Watts of NH Fuse-Links size 00 – 3
gR AC 500 V VDE 0636-4

I _n A	Size			
	00	01	2	3
16	6,0			
20	7,2			
25	8,0			
35	9,6	12,6		
50	12,0	14,0		
63	14,0	17,2		
80	17,7	21,2	20,0	
100	25,7	27,5	27,1	
125	29,7	31,2	29,7	
160	45,3	38,0	35,5	
200		46,0	43,9	
224		56,9	51,9	
250		65,0	56,8	
300			67,7	
315			68,7	67,7
355			80,6	77,5
400			91,6	88,5
425				97,2
500				115,7
630				168,3

Breaking capacity DC 500 V gR

Size 00: 25 kA, 240 V DC
 Size 1: 25 kA, 440 V DC
 Size 2: 25 kA, 440 V DC
 Size 3: 25 kA, 440 V DC

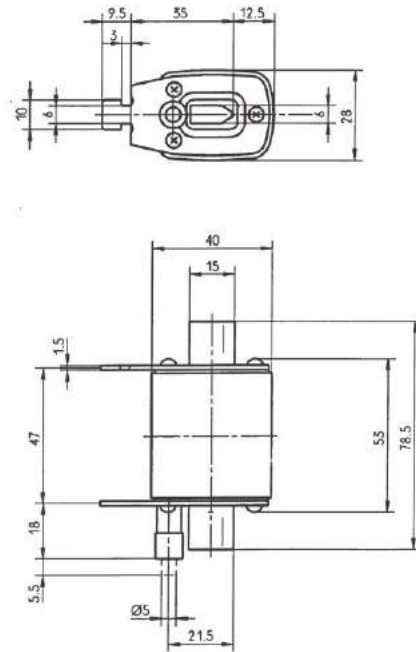
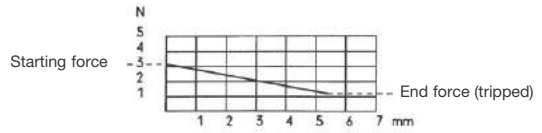
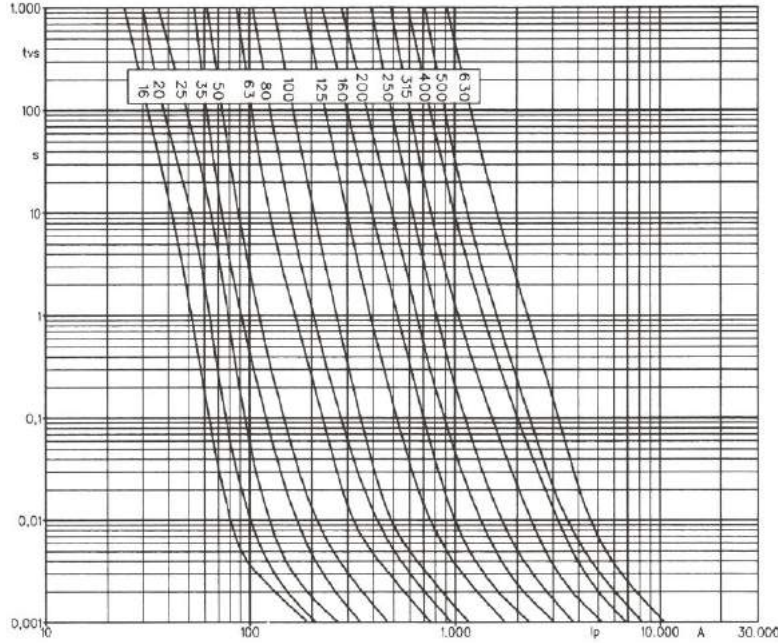
NH Fuse-Links AC 500 V gR

Fuse-Links

For semiconductor protection – pure silver fuse element

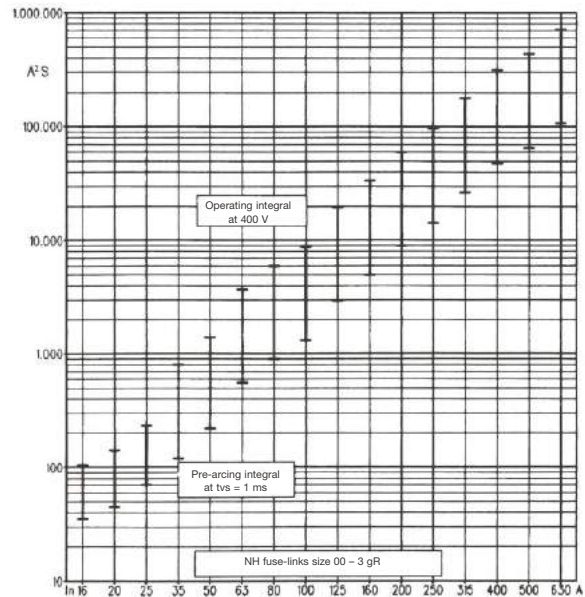
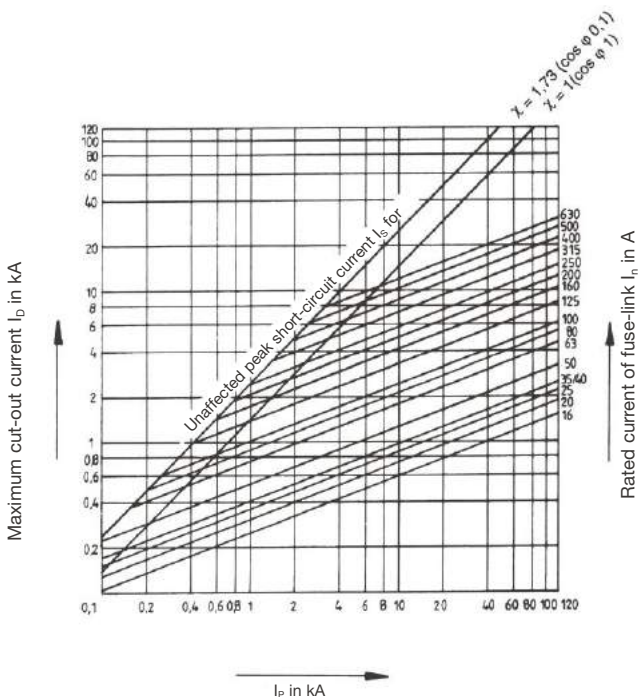
Time-current characteristics acc. to VDE 0636-2 and IEC/EN 60269-2

Force-distance diagram of the striker



Cut-out current characteristics acc. to VDE 0636-2 and IEC/EN 60269-2

Pre-arcing and operating integrals acc. to VDE 0636-2 and IEC/EN 60269-2



I_p acc. to prospective short-circuit current I_k at point of fault (DIN / VDE 0102 part 2)

NH Fuse-Links 1000 V / 1500 V

For mining equipment protection – pure silver fuse element (ageing-resistant)

Rated voltage: AC 1000 V

Utilization category: gB and aM acc. to VDE 0636-2011

Application: gB – full-range protection of mining equipment

aM – back-up protection for mining equipment

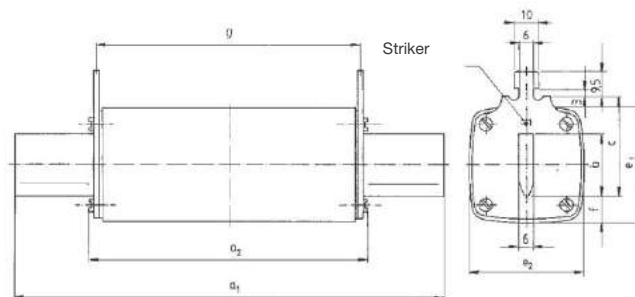
Breaking capacity: 25 kA

Electrical characteristics:

- NH fuse-links of utilization category gB
- NH fuse-links of utilization category aM provide back-up protection for switchgear devices. They protect switchgear devices in the event of short-circuits. When combined with overcurrent protection devices, they provide optimal protection to downstream motors and devices. The PURE SILVER fuse elements ensure that the NH fuse-links resist ageing while retaining their selectivity.

EFEN NH fuse-links of utilization categories aM respond quickly in case of short-circuits but are not tripped by overcurrent as this function is performed by other overcurrent protection devices.

Size	a ₁	a ₂	b	c	e ₁	e ₂	f	g
1L	170	105,5	24,5	40	45	45	10	105,5
3	167,5	92,5	32	60	72	72	15	80,5



Special-purpose designs and characteristics

Rated voltage: 1000 and 1500 V AC

Utilization category: TF acc. to DIN 43 620-5

Application: Protection of rectifier equipment for electric railway systems

Breaking capacity: 10 kA

Electrical characteristics:

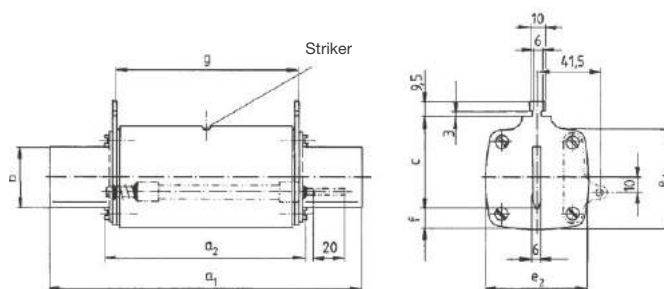
These special-purpose fuse-links have been designed for use in rectifier stations in railway systems. They feature dual time-current characteristics and PURE SILVER fuse elements. This makes these fuse-links especially resistant to ageing.

The fuse-links withstand overcurrents and inrush currents, but quickly interrupt short-circuits. Due to the quick response characteristic, short-circuit currents are cut out at low current levels.

Variant with striker:

A spring-loaded striker pin is provided in parallel with the fuse-link. When the NH fuse-link trips, the striker pin is released, actuating the micro-switch on the NH fuse-base.

Size	a ₁	a ₂	b	c	e ₁	e ₂	f	g
3L	206	130	40	60	67	67	13,5	120



NH maintenance fuse-link

Application:

NH maintenance fuse-links are used to temporarily replace line-protection fuse-links (gG) in power grids during maintenance work. The feature ultra-quick time-current characteristics. Accordingly, maximum cut-out current and maximum cut-out energy are limited even more strictly than in NH fuse-links of utilization category gG. This means less risk by potential current arcing to the maintenance personnel.

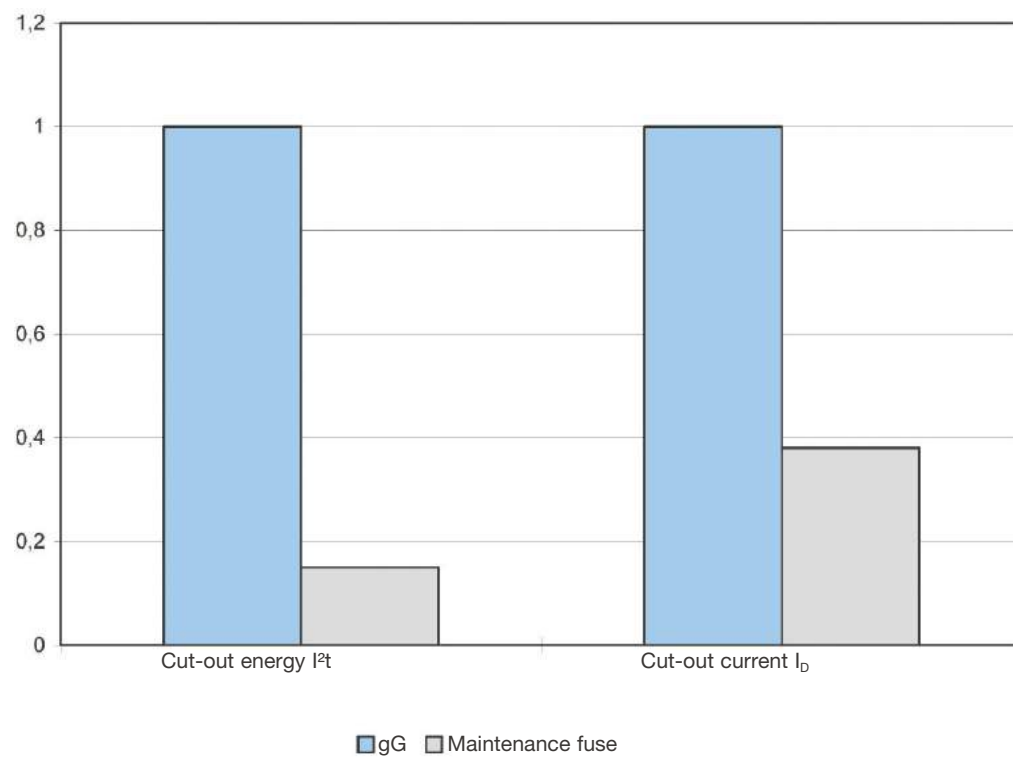
NH maintenance fuse-links are not optimally suited for normal operation as they trip more quickly in the case of temporary overload. Also, their power dissipation is much higher than that of fuse-links of category gG. For normal operation we recommend our ageing-resistant NH fuse-links of utilization category gG.

- Less cut-out energy and lower cut-out currents thanks to ultra-quick time-current characteristics means more safety for the maintenance personnel
- Insulated metal gripping lugs protect against accidental contact with live parts
- Ageing-resistant pure silver fuse element
- Locked screws that do not come lose
- Reliable function even after years inside a service vehicle
- Clear identification in red color as "maintenance fuse-link"

Size	Amps	Designation	Order no.
2	80	NH-Arbeitssicherung 80A gR Li	35209-0010
2	100	NH-Arbeitssicherung 100A gR Li	35209-0020
2	125	NH-Arbeitssicherung 125A gR Li	35209-0030
2	160	NH-Arbeitssicherung 160A gR Li	35209-0040
2	200	NH-Arbeitssicherung 200A gR Li	35209-0050
2	224	NH-Arbeitssicherung 224A gR Li	35209-0060
2	250	NH-Arbeitssicherung 250A gR Li	35209-0070
2	300	NH-Arbeitssicherung 300A gR Li	35209-0080
2	315	NH-Arbeitssicherung 315A gR Li	35209-0090

NH maintenance fuse-link

Maintenance fuse-link and gG fuse-link compared



NH Fuse-Links for DC applications up to 80 V - series TPS

► Technical data, page 55



35300-0600

TPS fault terminator Fuse-Links

Features:

- Compact design
- Use only with TPS fuse isolators (page 133)

Designation	Size	Amps	PU	Product designation	Order no.
TPS FAULT TERMINATOR 60 A	00	60	3	U TPS FAULT TERMINATOR 60A	35300-0060
TPS FAULT TERMINATOR 80 A	00	80	3	U TPS FAULT TERMINATOR 80A	35300-0080
TPS FAULT TERMINATOR 100 A	00	100	3	U TPS FAULT TERMINATOR 100A	35300-0100
TPS FAULT TERMINATOR 150 A	00	150	3	U TPS FAULT TERMINATOR 150A	35300-0150
TPS FAULT TERMINATOR 200 A	00	200	3	U TPS FAULT TERMINATOR 200A	35300-0200
TPS FAULT TERMINATOR 250 A	00	250	3	U TPS FAULT TERMINATOR 250A	35300-0250
TPS FAULT TERMINATOR 300 A	00	300	3	U TPS FAULT TERMINATOR 300A	35300-0300
TPS FAULT TERMINATOR 400 A	00	400	3	U TPS FAULT TERMINATOR 400A	35300-0400
TPS FAULT TERMINATOR 500 A	00	500	3	U TPS FAULT TERMINATOR 500A	35300-0500
TPS FAULT TERMINATOR 600 A	00	600	3	U TPS FAULT TERMINATOR 600A	35300-0600
TPS FAULT TERMINATOR 800 A	2	800	1	U TPS FAULT TERMINATOR 800A	35330-0800
TPS FAULT TERMINATOR 1000 A	2	1000	1	U TPS FAULT TERMINATOR 1000A	35330-1000
TPS FAULT TERMINATOR 1200 A	2	1200	1	U TPS FAULT TERMINATOR 1200A	35330-1200
TPS FAULT TERMINATOR 1600 A	2	1600	1	U TPS FAULT TERMINATOR 1600A	35330-1600



35301-0100

TPS Fault Terminator with striker for fuse-monitoring

Features:

- Compact design
- Use only with TPS fuse isolators (page 133)

Designation	Size	Amps	PU	Product designation	Order no.
TPS FAULT TERMINATOR 60 A SM	00	60	3	U TPS FAULT TERMINATOR 60A SM	35301-0060
TPS FAULT TERMINATOR 80 A SM	00	80	3	U TPS FAULT TERMINATOR 80A SM	35301-0080
TPS FAULT TERMINATOR 100 A SM	00	100	3	U TPS FAULT TERMINATOR 100A SM	35301-0100
TPS FAULT TERMINATOR 150 A SM	00	150	3	U TPS FAULT TERMINATOR 150A SM	35301-0150
TPS FAULT TERMINATOR 200 A SM	00	200	3	U TPS FAULT TERMINATOR 200A SM	35301-0200
TPS FAULT TERMINATOR 250 A SM	00	250	3	U TPS FAULT TERMINATOR 250A SM	35301-0250
TPS FAULT TERMINATOR 300 A SM	00	300	3	U TPS FAULT TERMINATOR 300A SM	35301-0300
TPS FAULT TERMINATOR 400 A SM	00	400	3	U TPS FAULT TERMINATOR 400A SM	35301-0400
TPS FAULT TERMINATOR 500 A SM	00	500	3	U TPS FAULT TERMINATOR 500A SM	35301-0500
TPS FAULT TERMINATOR 600 A SM	00	600	3	U TPS FAULT TERMINATOR 600A SM	35301-0600

NH Fuse-Links for DC applications up to 550 V

► Technical data, page 55



35178-0020

NH battery fuse DC 550 V

Features:

- Clear identification for protection against mix-up
- Selection guide 56

Designation	Size	Amps	PU	Product designation	Order no.
NH-BATTERIESICHERUNG 00 E	00		3	NH-BATTERIESICHERUNG 00 E	35177-0010
NH-BATTERIESICHERUNG 00 G	00		3	NH-BATTERIESICHERUNG 00 G	35177-0030
NH-BATTERIESICHERUNG 00 H	00		3	NH-BATTERIESICHERUNG 00 H	35177-0040
NH-BATTERIESICHERUNG 00 A	00		3	NH-BATTERIESICHERUNG 00 A	35177-0050
NH-BATTERIESICHERUNG 00 B	00		3	NH-BATTERIESICHERUNG 00 B	35177-0060
NH-BATTERIESICHERUNG 00 C	00		3	NH-BATTERIESICHERUNG 00 C	35177-0070
NH-BATTERIESICHERUNG 00 D	00		3	NH-BATTERIESICHERUNG 00 D	35177-0080
NH-BATTERIESICHERUNG 1 A	2C		3	NH-BATTERIESICHERUNG 1 A	35178-0010
NH-BATTERIESICHERUNG 1 B	2C		3	NH-BATTERIESICHERUNG 1 B	35178-0020
NH-BATTERIESICHERUNG 1 C	2C		3	NH-BATTERIESICHERUNG 1 C	35178-0030
NH-BATTERIESICHERUNG 2 A	2		3	NH-BATTERIESICHERUNG 2 A	35179-0010
NH-BATTERIESICHERUNG 2 B	2		3	NH-BATTERIESICHERUNG 2 B	35179-0020
NH-BATTERIESICHERUNG 3 A	3		1	NH-BATTERIESICHERUNG 3 A	35180-0010
NH-BATTERIESICHERUNG 3 B	3		1	NH-BATTERIESICHERUNG 3 B	35180-0020
NH-BATTERIESICHERUNG 3 C	3		1	NH-BATTERIESICHERUNG 3 C	35180-0030
NH-BATTERIESICHERUNG 4 C	4a		1	NH-BATTERIESICHERUNG 4 C	35183-0020
NH-BATTERIESICHERUNG 4 D	4a		1	NH-BATTERIESICHERUNG 4 D	35183-0030
NH-BATTERIESICHERUNG 4 E	4a		1	NH-BATTERIESICHERUNG 4 E	35183-0040

NH Fuse-Links 1000 V DC

► Technical data, page 49



35089-0190

NH Fuse-Links, size 3L, special design

Features:

- AC 1000 V (425 – 500 A), AC 1500 V (6 – 355 A), 25 kA DC 1000 V 6 – 355 A
- Breaking capacity: 10 kA
- TF acc. to VDE 0660 and DIN 43620-5

Designation	Size	Amps	PU	Product designation	Order no.
NH-SI 3L 6A TF AC1500V LS	3L	6	3	NH-SI 3L 6A TF AC1500V LS	35089-0200
NH-SI 3L 10A TF AC1500V LS	3L	10	3	NH-SI 3L 10A TF AC1500V LS	35089-0010
NH-SI 3L 16A TF AC1500V LS	3L	16	3	NH-SI 3L 16A TF AC1500V LS	35089-0020
NH-SI 3L 20A TF AC1500V LS	3L	20	3	NH-SI 3L 20A TF AC1500V LS	35089-0030
NH-SI 3L 25A TF AC1500V LS	3L	25	3	NH-SI 3L 25A TF AC1500V LS	35089-0040
NH-SI 3L 35A TF AC1500V LS	3L	35	3	NH-SI 3L 35A TF AC1500V LS	35089-0050
NH-SI 3L 50A TF AC1500V LS	3L	50	3	NH-SI 3L 50A TF AC1500V LS	35089-0060
NH-SI 3L 63A TF AC1500V LS	3L	63	3	NH-SI 3L 63A TF AC1500V LS	35089-0070
NH-SI 3L 80A TF AC1500V LS	3L	80	3	NH-SI 3L 80A TF AC1500V LS	35089-0080
NH-SI 3L 100A TF AC1500V LS	3L	100	3	NH-SI 3L 100A TF AC1500V LS	35089-0090
NH-SI 3L 125A TF AC1500V LS	3L	125	3	NH-SI 3L 125A TF AC1500V LS	35089-0100
NH-SI 3L 160A TF AC1500V LS	3L	160	3	NH-SI 3L 160A TF AC1500V LS	35089-0110
NH-SI 3L 200A TF AC1500V LS	3L	200	3	NH-SI 3L 200A TF AC1500V LS	35089-0120
NH-SI 3L 224A TF AC1500V LS	3L	224	3	NH-SI 3L 224A TF AC1500V LS	35089-0130
NH-SI 3L 250A TF AC1500V LS	3L	250	3	NH-SI 3L 250A TF AC1500V LS	35089-0140
NH-SI 3L 300A TF AC1500V LS	3L	300	3	NH-SI 3L 300A TF AC1500V LS	35089-0150
NH-SI 3L 315A TF AC1500V LS	3L	315	3	NH-SI 3L 315A TF AC1500V LS	35089-0160
NH-SI 3L 355A TF AC1500V LS	3L	355	3	NH-SI 3L 355A TF AC1500V LS	35089-0170



35091-0190

NH Fuse-Links, size 3L, special design

Features:

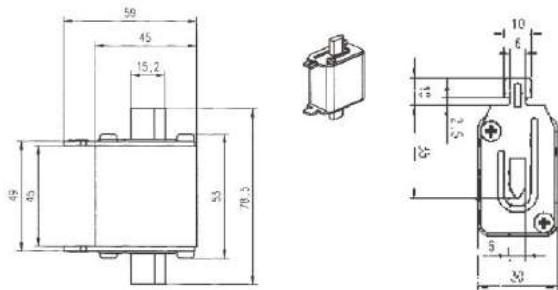
- 1000 V AC (425 – 500 A) and 1500 V AC (10 – 355 A)
- Breaking capacity 10 kA (1500 V AC); 50 kA (1000 V AC), 25 kA, 1000 V DC, 10 – 355 A
- TF acc. to VDE 0660 and DIN 43620-5
- Striker pin for fuse monitoring

Designation	Size	Amps	PU	Product designation	Order no.
NH-SI 3L 10A TF AC1500V SM	3L	10	3	NH-SI 3L 10A TF AC1500V SM	35091-0010
NH-SI 3L 16A TF AC1500V SM	3L	16	3	NH-SI 3L 16A TF AC1500V SM	35091-0020
NH-SI 3L 20A TF AC1500V SM	3L	20	3	NH-SI 3L 20A TF AC1500V SM	35091-0030
NH-SI 3L 25A TF AC1500V SM	3L	25	3	NH-SI 3L 25A TF AC1500V SM	35091-0040
NH-SI 3L 35A TF AC1500V SM	3L	35	3	NH-SI 3L 35A TF AC1500V SM	35091-0050
NH-SI 3L 50A TF AC1500V SM	3L	50	3	NH-SI 3L 50A TF AC1500V SM	35091-0060
NH-SI 3L 63A TF AC1500V SM	3L	63	3	NH-SI 3L 63A TF AC1500V SM	35091-0070
NH-SI 3L 80A TF AC1500V SM	3L	80	3	A NH-SI 3L 80A TF AC1500V SM	35091-0080
NH-SI 3L 100A TF AC1500V SM	3L	100	3	NH-SI 3L 100A TF AC1500V SM	35091-0090
NH-SI 3L 125A TF AC1500V SM	3L	125	1	NH-SI 3L 125A TF AC1500V SM	35091-0100
NH-SI 3L 160A TF AC1500V SM	3L	160	3	A NH-SI 3L 160A TF AC1500V SM	35091-0110
NH-SI 3L 200A TF AC1500V SM	3L	200	3	NH-SI 3L 200A TF AC1500V SM	35091-0120
NH-SI 3L 224A TF AC1500V SM	3L	224	3	NH-SI 3L 224A TF AC1500V SM	35091-0130
NH-SI 3L 250A TF AC1500V SM	3L	250	3	NH-SI 3L 250A TF AC1500V SM	35091-0140
NH-SI 3L 300A TF AC1500V SM	3L	300	3	NH-SI 3L 300A TF AC1500V SM	35091-0150
NH-SI 3L 315A TF AC1500V SM	3L	315	3	NH-SI 3L 315A TF AC1500V SM	35091-0160
NH-SI 3L 355A TF AC1500V SM	3L	355	3	NH-SI 3L 355A TF AC1500V SM	35091-0170

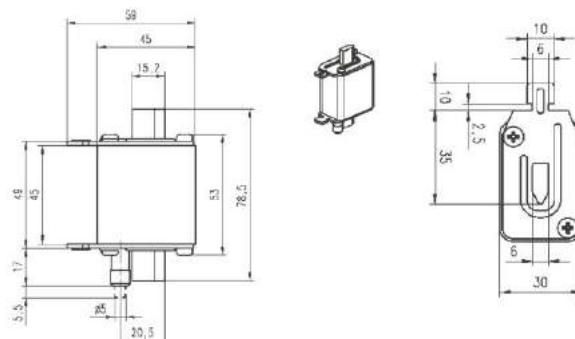
NH Fuse-Links for DC applications up to 80 V, series TPS

TPS Fault Terminator

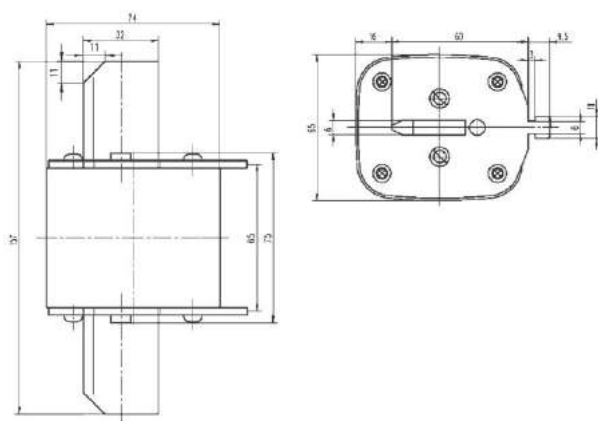
TPS 00/60 – 600 A



TPS 00/60 – 600 A with striker



TPS 2/800 – 1600 A



Rated power dissipation in Watts of TPS Fault Terminator size 00

I_n [A]	Fuse-link	Fuse-link with switch
60	4,5	5
80	5	5,5
100	6,5	7,8
150	10	13
200	12	17
250	13	21
300	16	23
400	19,5	32
500	26	43
600	29	54

Rated power dissipation in Watts of TPS Fault Terminator size 2

I_n [A]	Fuse-link	Fuse-link with switch
800	43	65
1000	57	89
1200	64	113
1600	95	155

Products for DC applications max. 550 V

1. Application

- Defined point of intersection between battery and UPS.
- Isolation of the battery during service and maintenance work.
- Protection of the battery against over-heating and mechanical damage in the case of short-circuits.

2. Selection criteria for EFEN battery switches and battery fuses

- Single-pole NH load-break switches in sizes from 00 to 4a are specifically suited to isolate and safeguard backup batteries in UPS applications. General-purpose line protection fuses are usually not suitable for use in these applications. Fast-acting fuses must be used. The extra heat coming from these fuse-links has to be taken into account when selecting suitable fuse switches. EFEN uses highly temperature-resistant materials that allow for optimum space utilization and reliable operation.
- Specific care must be taken to select the correct fuse-links for battery protection. Fuse elements for UPS systems must be resistant to ageing in order to prevent premature tripping under permissible load.
- The fuse-link characteristics must be carefully selected according to the UPS system and the battery rating in order to provide reliable full-range protection of the battery. EFEN offers expert

support in this process. Please *fill in and return the questionnaire* (see next page).

3. Features and benefits of EFEN battery switches and battery fuse-links for UPS.

- EFEN battery fuse-links provide superior short-circuit protection.
- Silver fuse elements resistant to ageing prevent premature inadvertent tripping.
- Low power dissipation prevents overheating of plastic components.
- Parallel contact isolation with two arcing chambers provides excellent DC breaking capacity.
- High thermal stability of plastics prevents overheating even under overload conditions.
- A complete range of fuse switches and fuse-links for optimal protection of all industry-standard UPS systems up to 550 V battery voltage.

NH Fuse-Links for DC applications up to 550 V

Questionnaire – EFEN battery-switches and battery-fuses for UPS systems

Company:

Contact person:

Phone no. for technical information:

1. UPS system

1.1 Manufacturer:

1.2 Type:

1.3 Output:

1.4 Power factor:

1.5 Efficiency:

1.6 DC circuit voltage:

1.7 Acceptable overload:

2. Battery

2.1 Manufacturer:

2.2 Type:

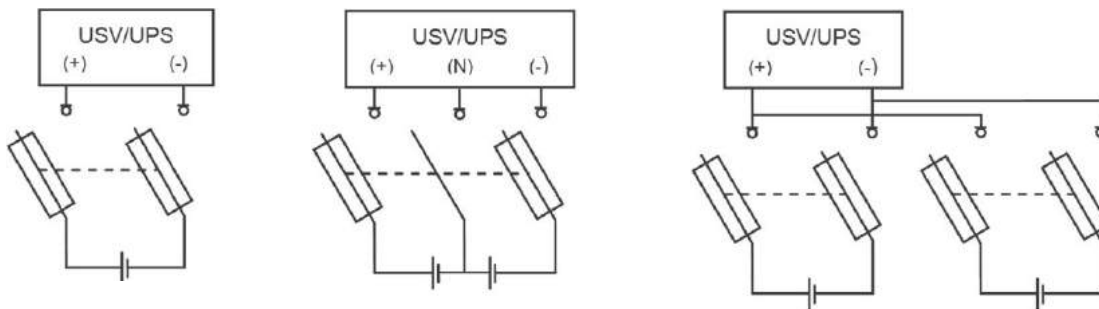
2.3 Rated voltage:

2.4 Capacity:

2.5 Number of blocks:

2.6 Battery layout:

- a) one string b) circuit with a neutral point c) two separately protected strings d) other



2.7 Operating time:

2.8 Final discharge voltage (at the end of operating time):

2.9 Acceptable overload:

Place, date:

Completed by:
(Signature)

NH Fuse-Links for DC applications up to 550 V

NH battery fuses DC 550 V for uninterruptible power supplies (UPS)

Description	Size	Type	Designation	PU	Weight in kg	Order no.
NH battery fuse	00	00 E	NH-BATTERIESICHERUNG 00 E	3	0,148	35177-0010
NH battery fuse	00	00 G	NH-BATTERIESICHERUNG 00 G	3	0,148	35177-0030
NH battery fuse	00	00 H	NH-BATTERIESICHERUNG 00 H	3	0,148	35177-0040
NH battery fuse	00	00 A	NH-BATTERIESICHERUNG 00 A	3	0,148	35177-0050
NH battery fuse	00	00 B	NH-BATTERIESICHERUNG 00 B	3	0,148	35177-0060
NH battery fuse	00	00 C	NH-BATTERIESICHERUNG 00 C	3	0,148	35177-0070
NH battery fuse	00	00 D	NH-BATTERIESICHERUNG 00 D	3	0,148	35177-0080
NH battery fuse	2C	1 A	NH-BATTERIESICHERUNG 1 A	3	0,398	35178-0010
NH battery fuse	2C	1 B	NH-BATTERIESICHERUNG 1 B	3	0,398	35178-0020
NH battery fuse	2C	1 C	NH-BATTERIESICHERUNG 1 C	3	0,398	35178-0030
NH battery fuse	2	2 A	NH-BATTERIESICHERUNG 2 A	3	0,636	35179-0010
NH battery fuse	2	2 B	NH-BATTERIESICHERUNG 2 B	3	0,636	35179-0020
NH battery fuse	3	3 A	NH-BATTERIESICHERUNG 3 A	1	0,915	35180-0010
NH battery fuse	3	3 B	NH-BATTERIESICHERUNG 3 B	1	0,915	35180-0020
NH battery fuse	3	3 C	NH-BATTERIESICHERUNG 3 C	1	0,915	35180-0030
NH battery fuse	4a	4 C	NH-BATTERIESICHERUNG 4 C	1	2,589	35183-0020
NH battery fuse	4a	4 D	NH-BATTERIESICHERUNG 4 D	1	2,589	35183-0030
NH battery fuse	4a	4 E	NH-BATTERIESICHERUNG 4 E	1	2,589	35183-0040

* Size 2 (compact design 2/1)

Size	a ₁	a ₂	b	c	e ₁	e ₂	f	g
00	78,5	53	15	35	40	28	12,5	47
2C	150	71	20,2	48	50	50	10	65
2	150	71	26,2	48	58	58	14,5	65
3	150	72	40	60	70	70	15	65
4a	200	98	50	85	110	102	28	87

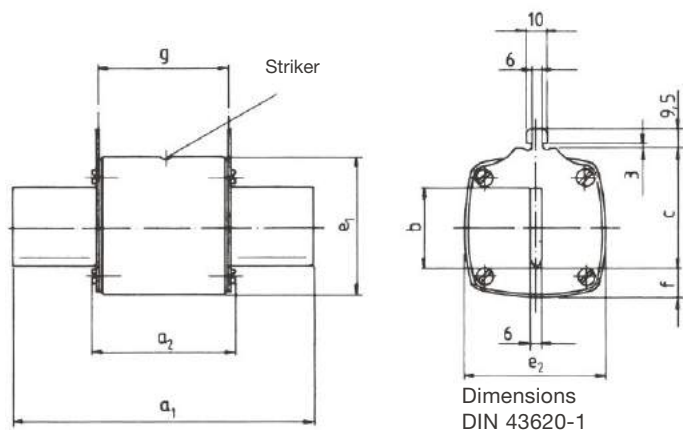
Battery switches and battery fuses VDE 0660 T107

System

EFEN offers a complete range of single-pole compact load-break switches that are specifically designed for an operating voltage of 550 V DC as is typical for uninterruptible power supplies. These load-break switches protect batteries and battery-supplied circuits, representing the interface and isolating the system e.g. for maintenance purposes. Fuse-monitoring devices, strikers and a multitude of accessories are available.

Support

The isolation of a battery system in the event of a short-circuit must be precisely tuned to its capacity and maintenance concept. Fast-acting battery fuses selected in coordination with EFEN ensure reliable protection.



NH Accessories

► Technical data, page 59



36022-0010

NH fuse handles acc. to VDE 0636 T 201 and IEC 60269-2-1 for NH fuse-links and solid links

Features:

- Acc. to VDE 0636 T 201, IEC 60269-2-1
- For NH fuse-links and solid links

Designation	Size	Amps	PU	Product designation	Order no.
With leather cuff, 352 mm long	00-3		3	NH-GRIFF MIT LEDERSTULPE	36022-0010
With hand protection, without cuff	00-3		10	NH-HANDGRIFF GR.00-3	36020-0010
Special variant for NH fuse-links or solid links with 120 mm gripping lug spacing, 1500 V	3L		4	NH-HANDGRIFF GR.3 1500V	36018-0010



36008-0010

NH solid link, size 00 – 4a, non-insulated metal gripping lugs

Features:

- Non-insulated metal gripping lugs

Designation	Size	Amps	PU	Product designation	Order no.
NH solid link	00	160	15	TRENNMESSER GR.00	36008-0010
NH solid link	00	250	15	TRENNMESSER GR.00 250A	36115-0010
NH solid link	0	160	15	TRENNMESSER GR.0	36009-0010
NH solid link	1	250	9	TRENNMESSER GR.1	36010-0010
NH solid link	2	400	6	TRENNMESSER GR.2 NR	36011-0010
NH solid link	3	630	6	TRENNMESSER GR.3	36012-0010
NH solid link	3	1000	6	TRENNMESSER GR.3 1000A / 1250A	36012-0020
NH solid link	4	1250	10	TRENNMESSER GR.4	36013-0010
NH solid link	4a	1600	6	TRENNMESSER GR.4A	36014-0010



36139-0010

NH solid link, size 00 – 3a, insulated gripping lugs

Features:

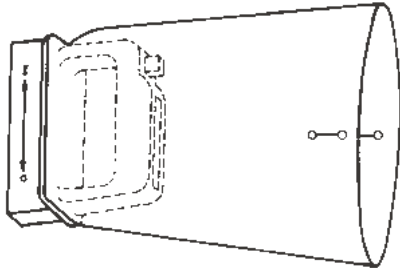
- Insulated gripping lug

Designation	Size	Amps	PU	Product designation	Order no.
NH solid link, insulated gripping lug	00	160	12	TRENNMESSER GR.00 160A LP	36139-0010
NH solid link, insulated gripping lug	0	160	6	TRENNMESSER GR.0 160A LP	36140-0010
NH solid link, insulated gripping lug	1	250	12	TRENNMESSER GR.1 250A LP	36141-0010
NH solid link, insulated gripping lug	2	400	6	TRENNMESSER GR.2 400A LP	36142-0010
NH solid link, insulated gripping lug	3	630	6	TRENNMESSER GR.3 630A LP	36143-0010
NH solid link, insulated gripping lug	3	1000	3	TRENNMESSER GR.3 1000A LP	36144-0010
NH solid link, insulated gripping lug	3L	1000	15	TRENNMESSER GR.3L 1000A LP	36015-0020
TPS solid link for up to 600 A	00	600	1	TRENNMESSER TPS 00/600	36917-0010
TPS solid link for up to 1600 A	2	1600	1	TRENNMESSER TPS 2/1600	36918-0010

NH Accessories

NH fuse handles

Acc. to VDE 0680-4, DIN 43620-4, IEC 60269-2-1 for NH fuse-links and solid links.



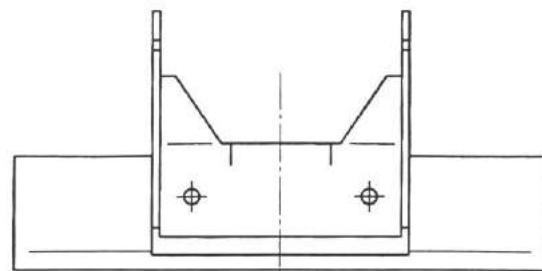
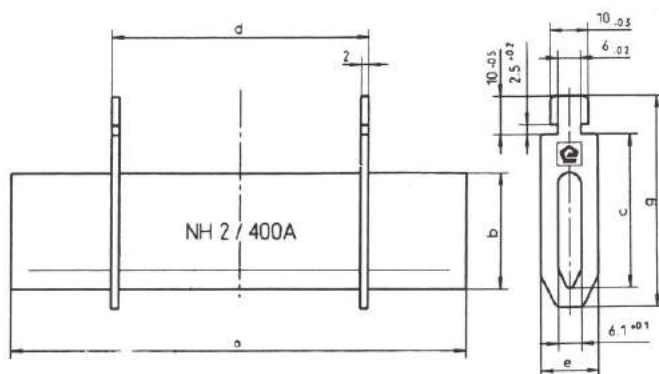
Description	PU	Weight	Order no.
Fuse handle for NH Fuse-Links DIN 43620-1 and DIN VDE 0636-201, size 00 – 3 (can also be used for size 4) with hand protection, without cuff	10	0,208	36020-0010
Fuse handle for NH Fuse-Links DIN 43620-1 and DIN VDE 0636-201, size 00 – 3 (can also be used for size 4) with leather cuff, 352 mm long	3	0,384	36022-0010
Special fuse handle for NH Fuse-Links with a gripping-lug spacing of 120 mm, 1500 V	4	0,301	36018-0010

NH solid link, size 00 – 4a

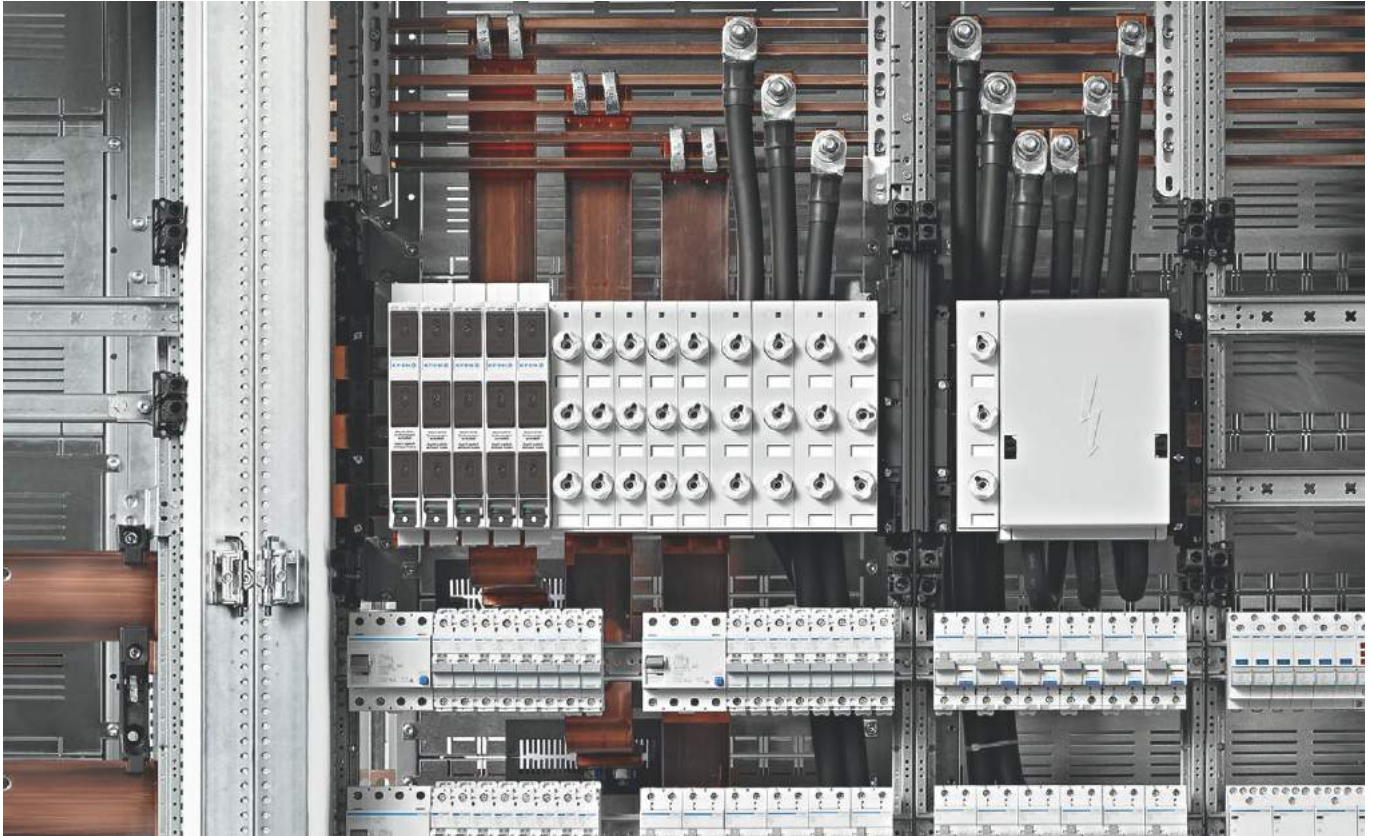
NH solid links are suitable for NH fuse-bases acc. to DIN 43620-3 and VDE 0636-201 as well as NH fuse-switches and isolating switches of the corresponding sizes.

Metal gripping lugs

Insulated gripping lugs



Size	Amps	V	Dimensions						Weight	PU	Metal gripping lugs	Weight	PU	Insulated gripping lugs
			a	b	c	d	g	e			Order no.			Order no.
		0,00												
00	160	0,00	77	15	35	47	49	17	0,07	15	36008-0010	0,05	12	36139-0010
0	160	0,00	77	15	35	47	49	17	0,10	10	36009-0010	0,10	6	36140-0010
1	250	0,00	122,5	15	35	65	56	17	0,15	9	36010-0010	0,15	12	36141-0010
2	400	0,00	132,5	20	40	65	64	20	0,21	6	36011-0010	0,25	6	36142-0010
3	630	0,00	147,5	25	48	65	76	20	0,27	6	36012-0010	0,25	6	36143-0010
3	1000	0,00	147,5	32	60	65	76	20	0,27	6	36012-0020	0,25	6	36144-0010
3L	1000	0,00	147,5	32	60	65	70	20	-	-	-	0,35	10	36015-0020
4	1250	0,00	203	32	60	120	96	96	0,60	10	36013-0010	-	-	-
4a	1600	0,00	200	50	85	65	96	25	0,59	6	36014-0010	-	-	-



D Fuse-Links

The D0 Fuse-Links offer protection within the smallest space and, thanks to state-of-the-art distribution components, perfectly integrate into future systems.

System

The D0 fuse systems are characterized by a high level of protection against accidental contact. Ceramic gage rings in the fuse base - prevent the installation of incorrect fuse elements in the critical range above 10 A. EFEN offers a wide range of D0 fuse-links from 2 to 63 A.

Features

Thanks to the uniform rated voltage of 500 V for direct and alternating current and due to the high breaking capacity of AC 50 kA and DC 8 kA, the D0 system is universally suited for installation in buildings and industrial applications.



D Fuse-Links

D Fuse-Links E14, E16, E18, E27 and E33	page 62
D-type gauge rings E16, E27 and E33	page 63
D0-type gauge pieces E14 and E18	page 64
D-type screw gauge pieces E27 and E33	page 64
D-type accessories	page 65
Technical data	page 66

D0 Fuse-Links



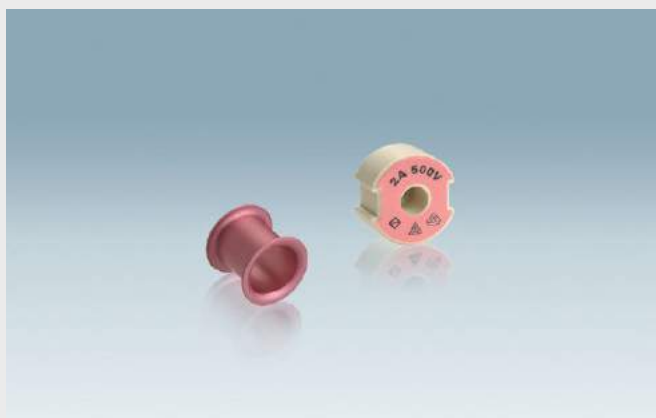
D0 Fuse-Links DII-DIII



D0 Fuse-Links E16



Ring-type, D0-type and D0 screw gauge pieces



D Fuse-Links

- Fuse-links D01 – DII
- Category gG
- Rated voltage:
400 V AC / 250 V DC
- Rated breaking capacity:
50 kA / 400 V AC,
8 kA / 250 V DC
- Standards EC 60269, EN 60269,
DIN 49522, VDE 0636-T41

► Technical data, page 67



55021-0020

D0 Fuse-Links

Features:

- Compliant with VDE 0636 part 21, 31, 41, IEC 60269-2-1, 6029-3
- VDE approval
- Utilization category gG
- Rated voltage AC 400 (440) V, DC 250 V

Designation	Amps	PU	Product designation	Order no.
D-SI D01 E14 2A gG	2	10	D-SI D01 E14 2A gG	55021-0020
D-SI D01 E14 4A gG	4	10	D-SI D01 E14 4A gG	55021-0040
D-SI D01 E14 6A gG	6	10	D-SI D01 E14 6A gG	55021-0060
D-SI D01 E14 10A gG	10	10	D-SI D01 E14 10A gG	55021-0100
D-SI D01 E14 16A gG	16	10	D-SI D01 E14 16A gG	55021-0160
D-SI D02 E18 20A gG	20	10	D-SI D02 E18 20A gG	55022-0200
D-SI D02 E18 25A gG	25	10	D-SI D02 E18 25A gG	55022-0250
D-SI D02 E18 32A gG	32	10	D-SI D02 E18 32A gG	55022-0320
D-SI D02 E18 35A gG	35	10	D-SI D02 E18 35A gG	55022-0350
D-SI D02 E18 40A gG	40	10	D-SI D02 E18 40A gG	55022-0400
D-SI D02 E18 50A gG	50	10	D-SI D02 E18 50A gG	55022-0500
D-SI D02 E18 63A gG	63	10	D-SI D02 E18 63A gG	55022-0630



55015-0100

D Fuse-Links DII-DIII

Features:

- Slow-blow characteristic acc. to DIN 49515, VDE 0636
- Characteristic gG acc. to VDE 0636, EN 60269
- VDE approval, rated voltage AC 500 V

Designation	Amps	PU	Product designation	Order no.
D-SI DII E27 2A gG	2	100	D-SI DII E27 2A gG	55015-0020
D-SI DII E27 10A gG	10	100	D-SI DII E27 10A gG	55015-0100
D-SI DII E27 16A gG	16	100	D-SI DII E27 16A gG	55015-0160
D-SI DII E27 20A gG	20	100	D-SI DII E27 20A gG	55015-0200
D-SI DII E27 25A gG	25	100	D-SI DII E27 25A gG	55015-0250
D-SI DIII E33 35A gG	35	100	D-SI DIII E33 35A gG	55016-0350
D-SI DIII E33 50A gG	50	100	D-SI DIII E33 50A gG	55016-0500
D-SI DIII E33 63A gG	63	100	D-SI DIII E33 63A gG	55016-0630



55000-0250

D Fuse-Links E16

Features:

- DIN 49360, 500 V
- Fast-acting or slow-blow
- Variant: Ceramic base with nickel-plated brass contacts
- Colored indicator

Designation	Amps	PU	Product designation	Order no.
D-SI E16 2A F	2	20	D-SI E16 2A F	55000-0020
D-SI E16 4A F	4	20	D-SI E16 4A F	55000-0040
D-SI E16 6A F	6	20	D-SI E16 6A F	55000-0060
D-SI E16 10A F	10	20	D-SI E16 10A F	55000-0100
D-SI E16 16A F	16	20	D-SI E16 16A F	55000-0160
D-SI E16 20A F	20	20	D-SI E16 20A F	55000-0200
D-SI E16 25A F	25	20	D-SI E16 25A F	55000-0250
A D-SI E16 2A T	2	20	A D-SI E16 2A T	55001-0020
A D-SI E16 4A T	4	20	A D-SI E16 4A T	55001-0040
A D-SI E16 6A T	6	20	A D-SI E16 6A T	55001-0060
A D-SI E16 10A T	10	20	A D-SI E16 10A T	55001-0100
A D-SI E16 16A T	16	20	A D-SI E16 16A T	55001-0160
A D-SI E16 20A T	20	20	A D-SI E16 20A T	55001-0200
A D-SI E16 25A T	25	20	A D-SI E16 25A T	55001-0250

D Fuse-Links

► Technical data, page 66



58002-0160

D-type ceramic gauge rings acc. to DIN 49360 and DIN 49362

Features:

- Ceramic
- E16
- 2 A to 16 A

Designation	Amps	PU	Product designation	Order no.
D-type ceramic gauge ring insert E16 2A	2	100	D-PASSEINSATZ E16 2A KER	58002-0020
D-type ceramic gauge ring insert E16 4A	4	100	D-PASSEINSATZ E16 4A KER	58002-0040
D-type ceramic gauge ring insert E16 6A	6	100	D-PASSEINSATZ E16 6A KER	58002-0060
D-type ceramic gauge ring insert E16 10A	10	100	D-PASSEINSATZ E16 10A KER	58002-0100
D-type ceramic gauge ring insert E16 16A	16	100	D-PASSEINSATZ E16 16A KER	58002-0160



58003-0200

D-type ceramic gauge ring inserts acc. to DIN 49360 and DIN 49362

Features:

- Ceramic
- E16
- 2 A to 16 A

Designation	Amps	PU	Product designation	Order no.
D-type ceramic gauge ring E27 DII 2A	2	100	D-PASSEINSATZ E27 DII 2A KER	58003-0020
D-type ceramic gauge ring E27 DII 4A	4	100	D-PASSEINSATZ E27 DII 4A KER	58003-0040
D-type ceramic gauge ring E27 DII 6A	6	100	D-PASSEINSATZ E27 DII 6A KER	58003-0060
D-type ceramic gauge ring E27 DII 10A	10	100	D-PASSEINSATZ E27 DII 10A KER	58003-0100
D-type ceramic gauge ring E27 DII 16A	16	100	D-PASSEINSATZ E27 DII 16A KER	58003-0160
D-type ceramic gauge ring E27 DII 20A	20	100	D-PASSEINSATZ E27 DII 20A KER	58003-0200
D-TYPE CERAMIC GAUGE RING E27 DII 25A	50		D-PASSEINSATZ E27 DII 25A KER	58003-0250



58004-0350

D-type ceramic gauge ring E27 DIII 25A

Features:

- Ceramic
- E33
- 2 A to 35 A

Designation	Amps	PU	Product designation	Order no.
D-type ceramic gauge ring E33 DIII 2A	2	50	D-PASSEINSATZ E33 DIII 2A KER	58004-0020
D-type ceramic gauge ring E33 DIII 4A	4	50	D-PASSEINSATZ E33 DIII 4A KER	58004-0040
D-type ceramic gauge ring E33 DIII 6A	6	50	D-PASSEINSATZ E33 DIII 6A KER	58004-0060
D-type ceramic gauge ring E33 DIII 10A	10	50	D-PASSEINSATZ E33 DIII 10A KER	58004-0100
D-type ceramic gauge ring E33 DIII 16A	16	50	D-PASSEINSATZ E33 DIII 16A KER	58004-0160
D-type ceramic gauge ring E33 DIII 20A	20	50	D-PASSEINSATZ E33 DIII 20A KER	58004-0200
D-type ceramic gauge ring E33 DIII 25A	25	50	D-PASSEINSATZ E33 DIII 25A KER	58004-0250
D-type ceramic gauge ring E33 DIII 35A	35	50	D-PASSEINSATZ E33 DIII 35A KER	58004-0350
D-type ceramic gauge ring E33 DIII 50A	50	50	D-PASSEINSATZ E33 DIII 50A KER	58004-0500
D-type ceramic gauge ring E33 DIII 63A	63	50	D-PASSEINSATZ E33 DIII 63A KER	58004-0630

D-type gauge pieces, D-type screw-in gauge piece

► Technical data - on demand



58006-0200

D0-type gauge pieces
 acc. to 49523 for over-voltage protection

- Features:**
- E14, E18, D03
 - 2 A to 80 A

Designation	Amps	PU	Product designation	Order no.
D-type gauge piece D01 E14 PH01 2A	2	100	D-PASSHÜLSE D01 E14 PH01 2A ROSA	58005-0020
D-type gauge piece D01 E14 PH01 4A	4	100	D-PASSHÜLSE D01 E14 PH01 4A BRAUN	58005-0040
D-type gauge piece D01 E14 PH01 6A	6	100	D-PASSHÜLSE D01 E14 PH01 6A GRÜN	58005-0060
D-type gauge piece D01 E14 PH01 10A	10	100	D-PASSHÜLSE D01 E14 PH01 10A ROT	58005-0100
D-type gauge piece D01 E18 PH02 4A	4	100	D-PASSHÜLSE D02 E18 PH02 4A BRAUN	58006-0040
D-type gauge piece D01 E18 PH02 6A	6	100	D-PASSHÜLSE D02 E18 PH02 6A GRÜN	58006-0060
D-type gauge piece D01 E18 PH02 10A	10	100	D-PASSHÜLSE D02 E18 PH02 10A ROT	58006-0100
D-type gauge piece D01 E18 PH02 16A	16	100	D-PASSHÜLSE D02 E18 PH02 16A GRAU	58006-0160
D-type gauge piece D01 E18 PH02 20A	20	100	D-PASSHÜLSE D02 E18 PH02 20A BLAU	58006-0200
D-type gauge piece D01 E18 PH02 25A	25	100	D-PASSHÜLSE D02 E18 PH02 25A GELB	58006-0250
D-type gauge piece D01 E18 PH02 35A	35	100	D-PASSHÜLSE D02 E18 PH02 35A SCHWARZ	58006-0350
D-type gauge piece D01 E18 PH02 50A	50	100	D-PASSHÜLSE D02 E18 PH02 50A WEISS	58006-0500



58020-0020

D-type screw gauge pieces
 acc. to DIN 49516 for over-voltage protection

- Features:**
- Ceramic
 - E27 – E33
 - 2 A to 63 A

Designation	Amps	PU	Product designation	Order no.
D-type screw gauge piece E27 20A	20	100	D-SCHRAUBPASSEINSATZ E27 20A	58020-0200
D-type screw gauge piece E27 25A	25	100	D-SCHRAUBPASSEINSATZ E27 25A	58020-0250
D-type screw gauge piece E27 4A	4	100	D-Schraubpasseinsatz E27 4A	58020-3040
D-type screw gauge piece E27 6A	6	100	D-Schraubpasseinsatz E27 6A	58020-3060
D-type screw gauge piece E27 10A	10	100	D-Schraubpasseinsatz E27 10A	58020-3100
D-type screw gauge piece E27 16A	16	100	D-Schraubpasseinsatz E27 16A	58020-3160
D-type screw gauge piece E27 20A	20	100	D-Schraubpasseinsatz E27 20A	58020-3200
D-type screw gauge piece E27 25A	25	100	D-Schraubpasseinsatz E27 25A	58020-3250
D-type screw gauge piece E33 35A	35	100	D-Schraubpasseinsatz E33 35A	58021-3350
D-type screw gauge piece E33 50A	50	100	D-Schraubpasseinsatz E33 50A	58021-3500
D-type screw gauge piece E33 63A	63	100	D-Schraubpasseinsatz E33 63A	58021-3630

D-type accessories

► Technical data - on demand



58008-0010

Key for D-type gauge pieces

Features:
- for D01 – D02

Designation	PU	Product designation	Order no.
Key for D-type gauge pieces D01 – D02	1	D-Passeinsatzschlüssel D01-D02	58008-0010



58015-0010

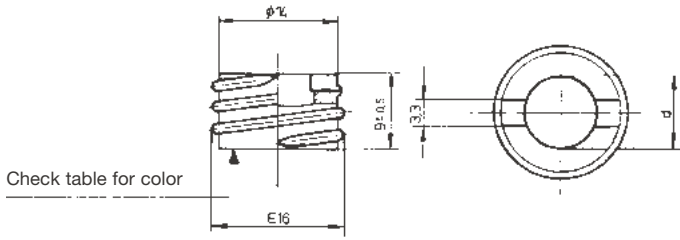
D0-type special retaining spring

Features:
- Metal

Designation	PU	Product designation	Order no.
D0-type retaining spring D01 in K02	100	D0-HALTEFEDER D01 in K02 RFD02-01	58015-0010

D-type fuse system

Type 58002-xxxx

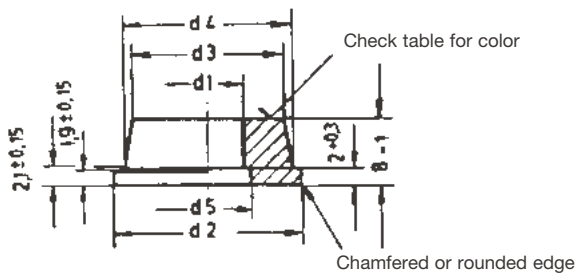


Check table for color

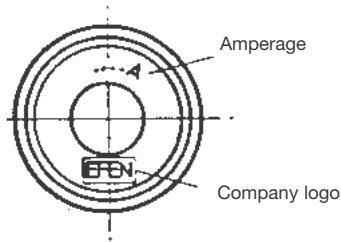
Rated current A		RAL color		Order no.
2	6,3	pink	3014	58002-0020
4		brown	8003	58002-0040
6		green	6010	58002-0060
10	8,5	red	3000	58002-0100
16	10,5	grey	7005	58002-0160

For other types please inquire

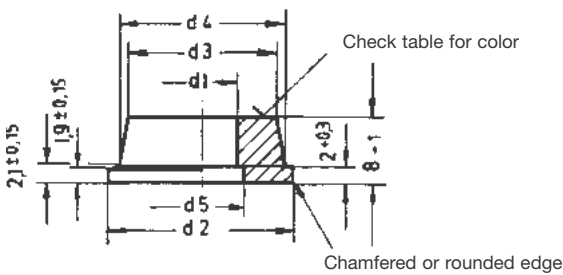
Type 58003-xxxx



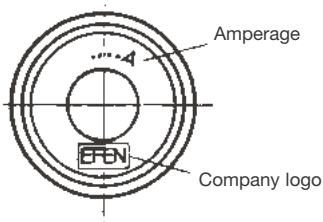
Order no.	Rated current A					Color	
58003-0020	2	6,5	22,5	18,5	20	10	pink
58003-0040	4					brown	
58003-0060	6					green	
58003-0100	10	8,5				12	red
58003-0160	16	10,5				14	grey
58003-0200	20	12,5				15,5	blue



Type 58004-xxxx

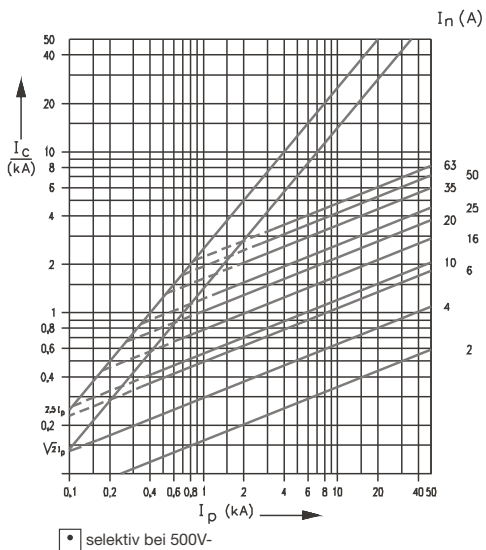


Order no.	Rated current A	d + 0,8 0	d ± 0,5	d ± 0,5	d ± 0,5	d min.	Color
58004-0020	2	6,5	28,5	24,5	26	10	pink
58004-0040	4					brown	
58004-0060	6					green	
58004-0100	10	8,5				12	red
58004-0160	16	10,5				14	grey
58004-0200	20	12,5				16	blue
58004-0250	25	14,5				18	yellow
58004-0350	35	16,5				20	black

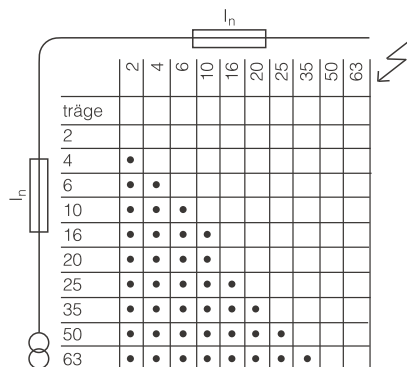


D-type fuse system

**Current limitation diagram gG/gL 500 V~
D01, D02, DII, DIII Fuse-Links**



**Selectivity gL/GG fuses
D01, D02, DII, DIII**



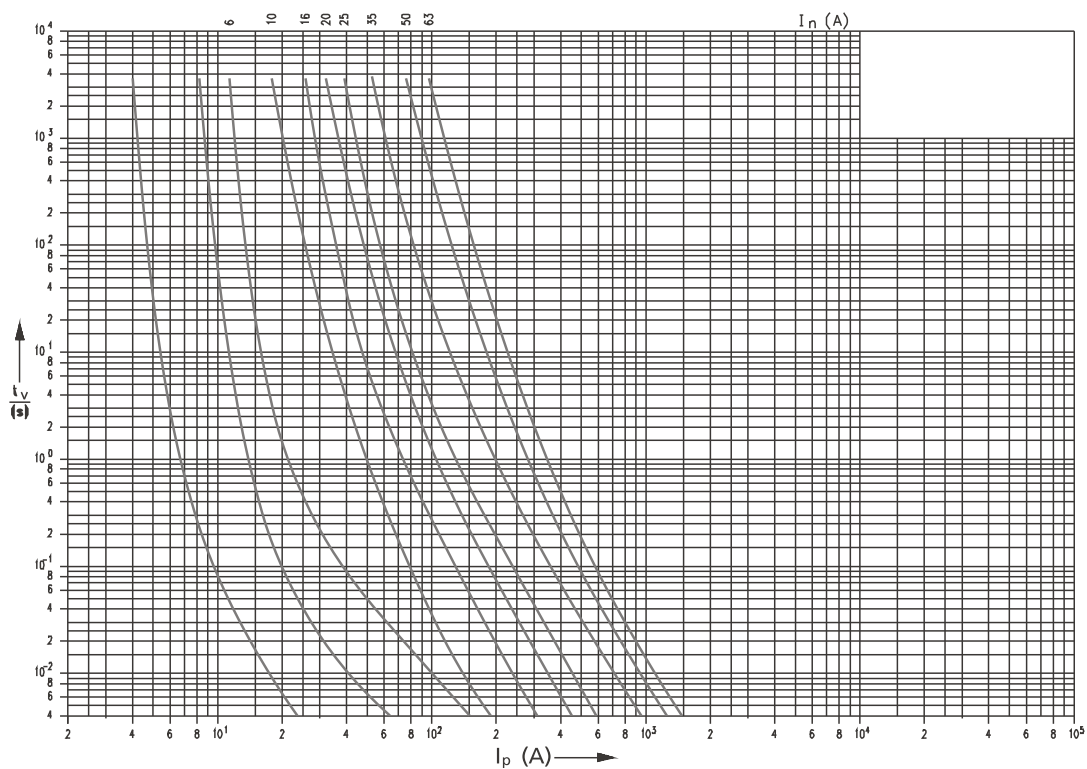
**Power dissipation table
D01, D02 gG/gL fuses**

	I_n	Watt
D01	2A	0,8
	4A	1,1
	6A	1,2
	10A	1,1
	16A	1,7
D02	20A	1,7
	25A	2,3
	35A	2,8
	50A	3,8
	63A	5,0

DII, DIII gG/gL fuses

	I_n	Watt
DII	2A	1,5
	4A	1,6
	6A	1,8
	10A	1,4
	16A	2,1
DIII	20A	2,2
	25A	3
	35A	4,1
	50A	5
	63A	6,9

Time-current characteristic D01, D02, DII, DIII gG/gL





DC Fuse-Links 10 x 38

Reliable protection of photovoltaic systems against overloads and short-circuits.

System

The fuse-links 10 x 38 by EFEN are the base line of string protection in photovoltaic systems. Designed for the rated DC voltage of 600 V required for solar modules, these fuses offer reliable protection against overload and short-circuit.

Features

The compact DC fuses are designed for high breaking currents. They are ideally suited for applications requiring reliable and instant breaking in the event of a failure.



DC Fuse-Links 10 x 38

DC Fuse-Links 10 x 38

page 70

Technical data

page 72

DC Fuse-Links

for 1000 V with 30 kA breaking capacity



DC Fuse-Disconnecter

for optimum line section protection
see page 136



DC Fuse-Links 10 x 38

Application:

Protection of photovoltaic (PV)
DC systems against overcurrent
and short-circuits

► Technical data, page 72



55030-0010

DC fuse 10 x 38 for 1000 V gPV

Features:

- Rated voltage: 1000 V DC / 600 V DC
- Breaking capacity: 30 kA
- Utilization category: gPV
- IEC 60269-6

Designation	Size	Amps	PU	Product designation	Order no.
SI-10x38 gPV 1000V DC 1A	10 x 38	1	10	SI-10x38 gPV 1000V DC 1A	55030-0010
SI-10x38 gPV 1000V DC 2A	10 x 38	2	10	SI-10x38 gPV 1000V DC 2A	55030-0020
SI-10x38 gPV 1000V DC 3A	10 x 38	3	10	SI-10x38 gPV 1000V DC 3A	55030-0030
SI-10x38 gPV 1000V DC 4A	10 x 38	4	10	SI-10x38 gPV 1000V DC 4A	55030-0040
SI-10x38 gPV 1000V DC 5A	10 x 38	5	10	SI-10x38 gPV 1000V DC 5A	55030-0050
SI-10x38 gPV 1000V DC 6A	10 x 38	6	10	SI-10x38 gPV 1000V DC 6A	55030-0060
SI-10x38 gPV 1000V DC 8A	10 x 38	8	10	SI-10x38 gPV 1000V DC 8A	55030-0080
SI-10x38 gPV 1000V DC 10A	10 x 38	10	10	SI-10x38 gPV 1000V DC 10A	55030-0100
SI-10x38 gPV 1000V DC 12A	10 x 38	12	10	SI-10x38 gPV 1000V DC 12A	55030-0120
SI-10x38 gPV 1000V DC 15A	10 x 38	15	10	SI-10x38 gPV 1000V DC 15A	55030-0150
SI-10x38 gPV 1000V DC 16A	10 x 38	16	10	SI-10x38 gPV 1000V DC 16A	55030-0160
SI-10x38 gPV 1000V DC 20A	10 x 38	20	10	SI-10x38 gPV 1000V DC 20A	55030-0200
SI-10x38 gPV 600V DC 25A	10 x 38	25	10	SI-10x38 gPV 600V DC 25A	55030-0250
SI-10x38 gPV 600V DC 32A	10 x 38	32	10	SI-10x38 gPV 600V DC 32A	55030-0320

DC Fuse-Links

Protection of photovoltaic (PV) DC systems against overcurrent and short-circuits

Size	10,3 x 38 mm	
Rated voltage	1000 V DC	600 V DC
Rated current	1 to 20 A	25 to 32 A
Time constant (L/R)	2 ms	
Minimum release current	1,45 x I _n	
Breaking capacity	30 kA	
Utilization category	gPV	
Temperature	Operating temperature: - 25 °C to + 70 °C	
Without striker pin, without striker		

Rated voltage	Rated current	EAN	Weight	PU	Order no.
1000 V	1 A	4049857117321	7,9 g	10	55030-0010
1000 V	2 A	4049857117345	7,9 g	10	55030-0020
1000 V	3 A	4049857117512	7,9 g	10	55030-0030
1000 V	4 A	4049857117611	7,9 g	10	55030-0040
1000 V	5 A	4049857117635	7,9 g	10	55030-0050
1000 V	6 A	4049857117659	7,9 g	10	55030-0060
1000 V	8 A	4049857117697	7,9 g	10	55030-0080
1000 V	10 A	4049857117703	7,9 g	10	55030-0100
1000 V	12 A	4049857117710	7,9 g	10	55030-0120
1000 V	15 A	4049857117727	7,9 g	10	55030-0150
1000 V	16 A	4049857117857	7,9 g	10	55030-0160
1000 V	20 A	4049857117901	7,9 g	10	55030-0200
600 V	25 A	4049857117918	7,9 g	10	55030-0250
600 V	32 A	4049857117956	7,9 g	10	55030-0320

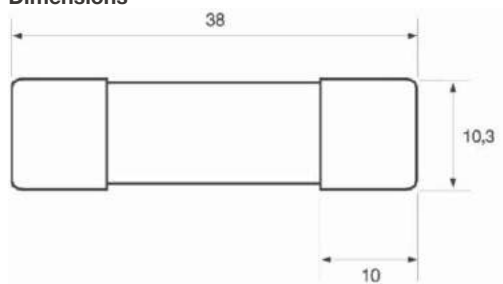
Temperature compensation factor (A1): Compensation factors for adjustment to ambient temperature:

Ambient temperature	25 °C	30 °C	40 °C	50 °C	60 °C	70 °C
Rated current	I _n	0,97 x I _n	0,92 x I _n	0,87 x I _n	0,82 x I _n	0,76 x I _n

Rated output

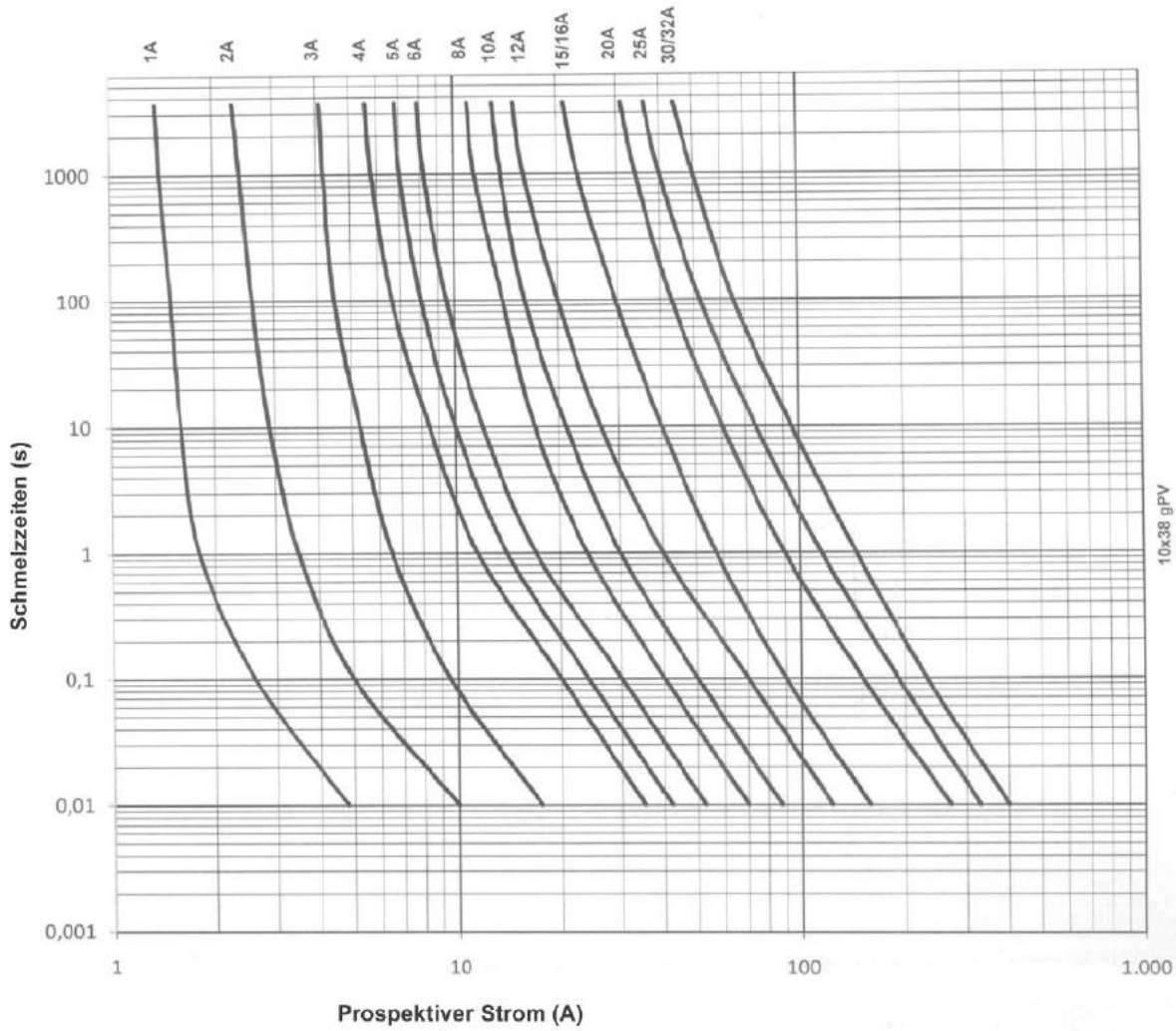
Rated current (A)	1	2	3	4	5	6	8	10	12	15	16	20	25	32
Power dissipation at 0.7 I_n (W)	0,31	0,62	0,54	0,73	0,93	0,96	1,02	1,03	1,04	1,07	1,08	1,16	1,10	1,76
Power dissipation at I_n (W)	0,76	1,54	1,35	1,84	2,22	2,4	2,55	2,58	2,6	2,44	2,7	2,9	2,74	4,4

Dimensions



DC Fuse-Links

Time-current characteristic





EFEN HV general-purpose and back-up Fuse-Links

EFEN's general-purpose and back-up Fuse-Links are a reliable safety interface for transformers, capacitors and high-voltage motors. The range comprises types for indoor, outdoor and oil-submerged applications.

System

EFEN's range of general-purpose and back-up fuse-links is nationally and internationally approved. The HV fuse-links ensure reliable protection of transformers, capacitors and motors.

Features

The range of HV fuse-links includes variants for indoor and outdoor use as well as oil-submerged applications. A wide range of special-purpose fuse-links – also with special dimensions – and a full range of accessories complements the offer.



High Voltage Fuse-Links

HV Fuse-Links acc. to VDE 0670 T402 / IEC 60 282-1	page 76
HV Fuse-Links acc. to VDE 0670 T402 / IEC 60 282-1 ÜLA	page 77
HV Fuse-Links acc. to VDE 0670 T402 / IEC 60 282-1 ÜLA+	page 78
HV Fuse-Links acc. to VDE 0670 T4 / IEC 60 282-1	page 79
HV Fuse-Links acc. to VDE 0670 T4 / IEC 60 282-1 ÜLA	page 80
EFEN HV general purpose Fuse-Links acc. to VDE 0670 T402 / IEC 60 282-1	page 78
High-Voltage Fuse-Links for Voltage Transformers (HSW) acc. to VDE 0670 T 402 / IEC 60282-1	page 83
Test device for tripping medium voltage switches	page 83
Accessories for HV Fuse-Links	page 83
Selection tables acc. to T402	page 91
Selection tables acc. to T4	page 94
Technical data	page 84

Back-Up Fuse-Links

with controlled power dissipation (ÜLA)



Test device

for tripping medium voltage switches



Special Version

with threaded stud



High-Voltage Fuse-Link

for voltage transformers (HSW)



HV Fuse-Links acc. to VDE 0670 T402 / IEC 60 282-1

► Technical data, page 98



67140-1000

HV back-up Fuse-Links acc. to VDE 0670 T402 / IEC 60 282-1

Designation	Rated volt. kV	Length	Ø	Amps	PU	Product designation	Order no.
HH-SI 3/7,2KV 6,3A FC TA 192/56	3/7,2	192	56	6,3	1	HH-SI 3/7,2KV 6,3A FC TA 192/56	67110-0060
HH-SI 3/7,2KV 10A FC TA 192/56	3/7,2	192	56	10	1	HH-SI 3/7,2KV 10A FC TA 192/56	67110-0100
HH-SI 3/7,2KV 16A FC TA 192/56	3/7,2	192	56	16	1	HH-SI 3/7,2KV 16A FC TA 192/56	67110-0160
HH-SI 3/7,2KV 20A FC TA 192/56	3/7,2	192	56	20	1	HH-SI 3/7,2KV 20A FC TA 192/56	67110-0200
HH-SI 3/7,2KV 25A FC TA 192/56	3/7,2	192	56	25	1	HH-SI 3/7,2KV 25A FC TA 192/56	67110-0250
HH-SI 3/7,2KV 31,5A FC TA 192/56	3/7,2	192	56	31,5	1	HH-SI 3/7,2KV 31,5A FC TA 192/56	67110-0320
HH-SI 3/7,2KV 40A FC TA 192/56	3/7,2	192	56	40	1	HH-SI 3/7,2KV 40A FC TA 192/56	67110-0400
HH-SI 3/7,2KV 50A FC TA 192/56	3/7,2	192	56	50	1	HH-SI 3/7,2KV 50A FC TA 192/56	67110-0500
HH-SI 3/7,2KV 63A FC TA 192/65	3/7,2	192	65	63	1	HH-SI 3/7,2KV 63A FC TA 192/65	67110-0630
HH-SI 3/7,2KV 80A FC TA 192/65	3/7,2	192	65	80	1	HH-SI 3/7,2KV 80A FC TA 192/65	67110-0800
HH-SI 3/7,2KV 100A FC TA 192/78	3/7,2	192	78	100	1	HH-SI 3/7,2KV 100A FC TA 192/78	67110-1000
HH-SI 3/7,2KV 125A FC TA 192/88	3/7,2	192	88	125	1	HH-SI 3/7,2KV 125A FC TA 192/88	67110-1250
HH-SI 3/7,2KV 160A FC TA 192/88	3/7,2	192	88	160	1	HH-SI 3/7,2KV 160A FC TA 192/88	67110-1600
HH-SI 6/12KV 6,3A FC TA 292/56	6/12	292	56	6,3	1	HH-SI 6/12KV 6,3A FC TA 292/56	67120-0060
HH-SI 6/12KV 10A FC TA 292/56	6/12	292	56	10	1	HH-SI 6/12KV 10A FC TA 292/56	67120-0100
HH-SI 6/12KV 16A FC TA 292/56	6/12	292	56	16	1	HH-SI 6/12KV 16A FC TA 292/56	67120-0160
HH-SI 6/12KV 20A FC TA 292/56	6/12	292	56	20	1	HH-SI 6/12KV 20A FC TA 292/56	67120-0200
HH-SI 6/12KV 25A FC TA 292/56	6/12	292	56	25	1	HH-SI 6/12KV 25A FC TA 292/56	67120-0250
HH-SI 6/12KV 31,5A FC TA 292/56	6/12	292	56	31,5	1	HH-SI 6/12KV 31,5A FC TA 292/56	67120-0320
HH-SI 6/12KV 40A FC TA 292/56	6/12	292	56	40	1	HH-SI 6/12KV 40A FC TA 292/56	67120-0400
HH-SI 6/12KV 50A FC TA 292/56	6/12	292	56	50	1	HH-SI 6/12KV 50A FC TA 292/56	67120-0500
HH-SI 6/12KV 63A FC TA 292/65	6/12	292	65	63	1	HH-SI 6/12KV 63A FC TA 292/65	67120-0630
HH-SI 6/12KV 80A FC TA 292/65	6/12	292	65	80	1	HH-SI 6/12KV 80A FC TA 292/65	67120-0800
HH-SI 6/12KV 100A FC TA 292/78	6/12	292	78	100	1	HH-SI 6/12KV 100A FC TA 292/78	67120-1000
HH-SI 6/12KV 125A FC TA 292/88	6/12	292	88	125	1	HH-SI 6/12KV 125A FC TA 292/88	67120-1250
HH-SI 6/12KV 160A FC TA 292/88	6/12	292	88	160	1	HH-SI 6/12KV 160A FC TA 292/88	67120-1600
HH-SI 10/17,5KV 6,3A FC TA 367/56	10/17,5	367	56	6,3	1	HH-SI 10/17,5KV 6,3A FC TA 367/56	67130-0060
HH-SI 10/17,5KV 10A FC TA 367/56	10/17,5	367	56	10	1	HH-SI 10/17,5KV 10A FC TA 367/56	67130-0100
HH-SI 10/17,5KV 16A FC TA 367/56	10/17,5	367	56	16	1	HH-SI 10/17,5KV 16A FC TA 367/56	67130-0160
HH-SI 10/17,5KV 20A FC TA 367/56	10/17,5	367	56	20	1	HH-SI 10/17,5KV 20A FC TA 367/56	67130-0200
HH-SI 10/17,5KV 25A FC TA 367/56	10/17,5	367	56	25	1	HH-SI 10/17,5KV 25A FC TA 367/56	67130-0250
HH-SI 10/17,5KV 30A FC TB 367/56	10/17,5	367	56	30	1	HH-SI 10/17,5KV 30A FC TB 367/56	67130-0300
HH-SI 10/17,5KV 31,5A FC TA 367/56	10/17,5	367	56	31,5	1	HH-SI 10/17,5KV 31,5A FC TA 367/56	67130-0320
HH-SI 10/17,5KV 40A FC TA 367/56	10/17,5	367	56	40	1	HH-SI 10/17,5KV 40A FC TA 367/56	67130-0400
HH-SI 10/17,5KV 50A FC TA 367/78	10/17,5	367	78	50	1	HH-SI 10/17,5KV 50A FC TA 367/78	67130-0500
HH-SI 10/17,5KV 63A FC TA 367/78	10/17,5	367	78	63	1	HH-SI 10/17,5KV 63A FC TA 367/78	67130-0630
HH-SI 10/17,5KV 80A FC TA 367/78	10/17,5	367	78	80	1	HH-SI 10/17,5KV 80A FC TA 367/78	67130-0800
HH-SI 10/17,5KV 100A FC TA 367/88	10/17,5	367	88	100	1	HH-SI 10/17,5KV 100A FC TA 367/88	67130-1000
HH-SI 10/24KV 6,3A FC TA 442/56	10/24	442	56	6,3	1	HH-SI 10/24KV 6,3A FC TA 442/56	67140-0060
HH-SI 10/24KV 10A FC TA 442/56	10/24	442	56	10	1	HH-SI 10/24KV 10A FC TA 442/56	67140-0100
HH-SI 10/24KV 16A FC TA 442/56	10/24	442	56	16	1	HH-SI 10/24KV 16A FC TA 442/56	67140-0160
HH-SI 10/24KV 20A FC TA 442/56	10/24	442	56	20	1	HH-SI 10/24KV 20A FC TA 442/56	67140-0200
HH-SI 10/24KV 25A FC TA 442/56	10/24	442	56	25	1	HH-SI 10/24KV 25A FC TA 442/56	67140-0250
HH-SI 10/24KV 31,5A FC TA 442/56	10/24	442	56	31,5	1	HH-SI 10/24KV 31,5A FC TA 442/56	67140-0320
HH-SI 10/24KV 40A FC TA 442/56	10/24	442	56	40	1	HH-SI 10/24KV 40A FC TA 442/56	67140-0400
HH-SI 10/24KV 50A FC TA 442/65	10/24	442	65	50	1	HH-SI 10/24KV 50A FC TA 442/65	67140-0500
HH-SI 10/24KV 63A FC TA 442/65	10/24	442	65	63	1	HH-SI 10/24KV 63A FC TA 442/65	67140-0630
HH-SI 10/24KV 80A FC TA 442/65	10/24	442	65	80	1	HH-SI 10/24KV 80A FC TA 442/65	67140-0800
HH-SI 10/24KV 100A FC TA 442/88	10/24	442	88	100	1	HH-SI 10/24KV 100A FC TA 442/88	67140-1000

HV Fuse-Links acc. to VDE 0670 T402 / IEC 60 282-1

► Technical data, page 101

HV back-up Fuse-Links acc. to VDE 0670 T402 / IEC 60 282-1

Designation	Rated volt. kV	Length Ø	Amps PU	Product designation	Order no.
HH-SI 20/36KV 6,3A FC TA 537/56	20/36	537 56	6,3 1	HH-SI 20/36KV 6,3A FC TA 537/56	67150-0060
HH-SI 20/36KV 10A FC TA 537/56	20/36	537 56	10 1	HH-SI 20/36KV 10A FC TA 537/56	67150-0100
HH-SI 20/36KV 16A FC TA 537/56	20/36	537 56	16 1	HH-SI 20/36KV 16A FC TA 537/56	67150-0160
HH-SI 20/36KV 20A FC TA 537/56	20/36	537 56	20 1	HH-SI 20/36KV 20A FC TA 537/56	67150-0200
HH-SI 20/36KV 25A FC TA 537/56	20/36	537 56	25 1	HH-SI 20/36KV 25A FC TA 537/56	67150-0250
HH-SI 20/36KV 31,5A FC TA 537/65	20/36	537 65	31,5 1	HH-SI 20/36KV 31,5A FC TA 537/65	67150-0320
HH-SI 20/36KV 40A FC TA 537/65	20/36	537 65	40 1	HH-SI 20/36KV 40A FC TA 537/65	67150-0400
HH-SI 20/36KV 50A FC TA 537/88	20/36	537 88	50 1	HH-SI 20/36KV 50A FC TA 537/88	67150-0500
HH-SI 20/36KV 63A FC TA 537/88	20/36	537 88	63 1	HH-SI 20/36KV 63A FC TA 537/88	67150-0630

HV back-up Fuse-Links acc. to VDE 0670 T402 / IEC 60 282-1 with controlled power dissipation (ÜLA)

Designation	Rated volt. kV	Length Ø	Amps PU	Product designation	Order no.
HH-SI 6/12KV 10A FC ÜLA 292/56	6/12	292 56	10 1	HH-SI 6/12KV 10A FC ÜLA 292/56	67520-0100
HH-SI 6/12KV 16A FC ÜLA 292/56	6/12	292 56	16 1	HH-SI 6/12KV 16A FC ÜLA 292/56	67520-0160
HH-SI 6/12KV 20A FC ÜLA 292/56	6/12	292 56	20 1	HH-SI 6/12KV 20A FC ÜLA 292/56	67520-0200
HH-SI 6/12KV 25A FC ÜLA 292/56	6/12	292 56	25 1	HH-SI 6/12KV 25A FC ÜLA 292/56	67520-0250
HH-SI 6/12KV 31,5A FC ÜLA 292/56	6/12	292 56	31,5 1	HH-SI 6/12KV 31,5A FC ÜLA 292/56	67520-0320
HH-SI 6/12KV 40A FC ÜLA 292/56	6/12	292 56	40 1	HH-SI 6/12KV 40A FC ÜLA 292/56	67520-0400
HH-SI 6/12KV 50A FC ÜLA 292/56	6/12	292 56	50 1	HH-SI 6/12KV 50A FC ÜLA 292/56	67520-0500
HH-SI 6/12KV 63A FC ÜLA 292/65	6/12	292 65	63 1	HH-SI 6/12KV 63A FC ÜLA 292/65	67520-0630
HH-SI 6/12KV 80A FC ÜLA 292/65	6/12	292 65	80 1	HH-SI 6/12KV 80A FC ÜLA 292/65	67520-0800
HH-SI 6/12KV 100A FC ÜLA 292/65	6/12	292 65	100 1	HH-SI 6/12KV 100A FC ÜLA 292/65	67520-1000
HH-SI 6/12KV 125A FC ÜLA 292/88	6/12	292 88	125 1	HH-SI 6/12KV 125A FC ÜLA 292/88	67520-1250
HH-SI 6/12KV 160A FC ÜLA 292/88	6/12	292 88	160 1	HH-SI 6/12KV 160A FC ÜLA 292/88	67520-1600
HH-SI 10/24KV 6,3A FC ÜLA 442/56	10/24	442 56	6,3 1	HH-SI 10/24KV 6,3A FC ÜLA 442/56	67541-0060
HH-SI 10/24KV 10A FC ÜLA 442/56	10/24	442 56	10 1	HH-SI 10/24KV 10A FC ÜLA 442/56	67541-0100
HH-SI 10/24KV 16A FC ÜLA 442/56	10/24	442 56	16 1	HH-SI 10/24KV 16A FC ÜLA 442/56	67541-0160
HH-SI 10/24KV 20A FC ÜLA 442/56	10/24	442 56	20 1	HH-SI 10/24KV 20A FC ÜLA 442/56	67541-0200
HH-SI 10/24KV 25A FC ÜLA 442/56	10/24	442 56	25 1	HH-SI 10/24KV 25A FC ÜLA 442/56	67541-0250
HH-SI 10/24KV 31,5A FC ÜLA 442/56	10/24	442 56	31,5 1	HH-SI 10/24KV 31,5A FC ÜLA 442/56	67541-0320
HH-SI 10/24KV 40A FC ÜLA 442/56	10/24	442 56	40 1	HH-SI 10/24KV 40A FC ÜLA 442/56	67541-0400
HH-SI 10/24KV 50A FC ÜLA 442/65	10/24	442 65	50 1	HH-SI 10/24KV 50A FC ÜLA 442/65	67541-0500
HH-SI 10/24KV 63A FC ÜLA 442/65	10/24	442 65	63 1	HH-SI 10/24KV 63A FC ÜLA 442/65	67541-0630
HH-SI 10/24KV 80A FC ÜLA 442/65	10/24	442 65	80 1	HH-SI 10/24KV 80A FC ÜLA 442/65	67541-0800
HH-SI 10/24KV 100A FC ÜLA 442/88	10/24	442 88	100 1	HH-SI 10/24KV 100A FC ÜLA 442/88	67541-1000
HH-SI 20/36KV 6,3A FC ÜLA 537/56	20/36	537 56	6,3 1	HH-SI 20/36KV 6,3A FC ÜLA 537/56	67550-0060
HH-SI 20/36KV 10A FC ÜLA 537/56	20/36	537 56	10 1	HH-SI 20/36KV 10A FC ÜLA 537/56	67550-0100
HH-SI 20/36KV 16A FC ÜLA 537/56	20/36	537 56	16 1	HH-SI 20/36KV 16A FC ÜLA 537/56	67550-0160
HH-SI 20/36KV 20A FC ÜLA 537/56	20/36	537 56	20 1	HH-SI 20/36KV 20A FC ÜLA 537/56	67550-0200
HH-SI 20/36KV 25A FC ÜLA 537/56	20/36	537 56	25 1	HH-SI 20/36KV 25A FC ÜLA 537/56	67550-0250
HH-SI 20/36KV 31,5A FC ÜLA 537/65	20/36	537 65	31,5 1	HH-SI 20/36KV 31,5A FC ÜLA 537/65	67550-0320
HH-SI 20/36KV 40A FC ÜLA 537/65	20/36	537 65	40 1	HH-SI 20/36KV 40A FC ÜLA 537/65	67550-0400
HH-SI 20/36KV 50A FC ÜLA 537/88	20/36	537 88	50 1	HH-SI 20/36KV 50A FC ÜLA 537/88	67550-0500
HH-SI 10/24KV 6,3A FC ÜLA+ 442/56 K44,8	10/24	442 56	6,3 1	HH-SI 10/24KV 6,3A FC ÜLA+ 442/56 K44,8	67543-0060
HH-SI 10/24KV 10A FC ÜLA+ 442/56 K44,8	10/24	442 56	10 1	HH-SI 10/24KV 10A FC ÜLA+ 442/56 K44,8	67543-0100
HH-SI 10/24KV 16A FC ÜLA+ 442/56 K44,8	10/24	442 56	16 1	HH-SI 10/24KV 16A FC ÜLA+ 442/56 K44,8	67543-0160
HH-SI 10/24KV 20A FC ÜLA+ 442/56 K44,8	10/24	442 56	20 1	HH-SI 10/24KV 20A FC ÜLA+ 442/56 K44,8	67543-0200
HH-SI 10/24KV 25A FC ÜLA+ 442/56 K44,8	10/24	442 56	25 1	HH-SI 10/24KV 25A FC ÜLA+ 442/56 K44,8	67543-0250
HH-SI 10/24KV 31,5A FC ÜLA+ 442/56 K44,8	10/24	442 56	31,5 1	HH-SI 10/24KV 31,5A FC ÜLA+ 442/56 K44,8	67543-0320
HH-SI 10/24KV 40A FC ÜLA+ 442/56 K44,8	10/24	442 56	40 1	HH-SI 10/24KV 40A FC ÜLA+ 442/56 K44,8	67543-0400
HH-SI 10/24KV 50A FC ÜLA+ 442/65 K44,8	10/24	442 65	50 1	HH-SI 10/24KV 50A FC ÜLA+ 442/65 K44,8	67543-0500
HH-SI 10/24KV 63A FC ÜLA+ 442/65 K44,8	10/24	442 65	63 1	HH-SI 10/24KV 63A FC ÜLA+ 442/65 K44,8	67542-0630
HH-SI 10/24KV 63A FC ÜLA+ 442/78 K44,8	10/24	442 78	63 1	HH-SI 10/24KV 63A FC ÜLA+ 442/78 K44,8	67543-0630
HH-SI 10/24KV 80A FC ÜLA+ 442/78 K44,8	10/24	442 78	80 1	HH-SI 10/24KV 80A FC ÜLA+ 442/78 K44,8	67543-0800
HH-SI 10/24KV 100A FC ÜLA+ 442/88 K44,8	10/24	442 88	100 1	HH-SI 10/24KV 100A FC ÜLA+ 442/88 K44,8	67543-1000
HH-SI 10/24KV 125A FC ÜLA+ 442/88 K44,8	10/24	442 88	125 1	HH-SI 10/24KV 125A FC ÜLA+ 442/88 K44,8	67543-1250



67520-0100

HV Fuse-Links acc. to VDE 0670 T402 / IEC 60 282-1

► Technical data, page 90, 94



67543-0060

HV back-up Fuse-Links acc. to VDE 0670 T402 / IEC 60282-1 with controlled power dissipation (ÜLA Plus)

Designation	Rated volt. kV	Length Ø	Amps PU	Product designation	Order no.
HH-SI 10/24KV 6,3A FC ÜLA+ 442/56 K44,8	10/24	442 56	6,3 1	HH-SI 10/24KV 6,3A FC ÜLA+ 442/56 K44,8	67543-0060
HH-SI 10/24KV 10A FC ÜLA+ 442/56 K44,8	10/24	442 56	10 1	HH-SI 10/24KV 10A FC ÜLA+ 442/56 K44,8	67543-0100
HH-SI 10/24KV 16A FC ÜLA+ 442/56 K44,8	10/24	442 56	16 1	HH-SI 10/24KV 16A FC ÜLA+ 442/56 K44,8	67543-0160
HH-SI 10/24KV 20A FC ÜLA+ 442/56 K44,8	10/24	442 56	20 1	HH-SI 10/24KV 20A FC ÜLA+ 442/56 K44,8	67543-0200
HH-SI 10/24KV 25A FC ÜLA+ 442/56 K44,8	10/24	442 56	25 1	HH-SI 10/24KV 25A FC ÜLA+ 442/56 K44,8	67543-0250
HH-SI 10/24KV 31,5A FC ÜLA+ 442/56 K44,8	10/24	442 56	31,5 1	HH-SI 10/24KV 31,5A FC ÜLA+ 442/56 K44,8	67543-0320
HH-SI 10/24KV 40A FC ÜLA+ 442/56 K44,8	10/24	442 56	40 1	HH-SI 10/24KV 40A FC ÜLA+ 442/56 K44,8	67543-0400
HH-SI 10/24KV 50A FC ÜLA+ 442/65 K44,8	10/24	442 65	50 1	HH-SI 10/24KV 50A FC ÜLA+ 442/65 K44,8	67543-0500
HH-SI 10/24KV 63A FC ÜLA+ 442/65 K44,8	10/24	442 65	63 1	HH-SI 10/24KV 63A FC ÜLA+ 442/65 K44,8	67542-0630
HH-SI 10/24KV 63A FC ÜLA+ 442/78 K44,8	10/24	442 78	63 1	HH-SI 10/24KV 63A FC ÜLA+ 442/78 K44,8	67543-0630
HH-SI 10/24KV 80A FC ÜLA+ 442/78 K44,8	10/24	442 78	80 1	HH-SI 10/24KV 80A FC ÜLA+ 442/78 K44,8	67543-0800
HH-SI 10/24KV 100A FC ÜLA+ 442/88 K44,8	10/24	442 88	100 1	HH-SI 10/24KV 100A FC ÜLA+ 442/88 K44,8	67543-1000
HH-SI 10/24KV 125A FC ÜLA+ 442/88 K44,8	10/24	442 88	125 1	HH-SI 10/24KV 125A FC ÜLA+ 442/88 K44,8	67543-1250
HH-SI 20/36KV 6,3A FC ÜLA+ 537/56 K44,8	20/36	537 56	6,3 1	HH-SI 20/36KV 6,3A FC ÜLA+ 537/56 K44,8	67553-0060
HH-SI 20/36KV 10A FC ÜLA+ 537/56 K44,8	20/36	537 56	10 1	HH-SI 20/36KV 10A FC ÜLA+ 537/56 K44,8	67553-0100
HH-SI 20/36KV 16A FC ÜLA+ 537/56 K44,8	20/36	537 56	16 1	HH-SI 20/36KV 16A FC ÜLA+ 537/56 K44,8	67553-0160
HH-SI 20/36KV 20A FC ÜLA+ 537/56 K44,8	20/36	537 56	20 1	HH-SI 20/36KV 20A FC ÜLA+ 537/56 K44,8	67553-0200
HH-SI 20/36KV 25A FC ÜLA+ 537/56 K44,8	20/36	537 56	25 1	HH-SI 20/36KV 25A FC ÜLA+ 537/56 K44,8	67553-0250
HH-SI 20/36KV 31,5A FC ÜLA+ 537/65 K44,8	20/36	537 65	31,5 1	HH-SI 20/36KV 31,5A FC ÜLA+ 537/65 K44,8	67553-0320
HH-SI 20/36KV 40A FC ÜLA+ 537/65 K44,8	20/36	537 65	40 1	HH-SI 20/36KV 40A FC ÜLA+ 537/65 K44,8	67553-0400
HH-SI 20/36KV 50A FC ÜLA+ 537/88 K44,8	20/36	537 88	50 1	HH-SI 20/36KV 50A FC ÜLA+ 537/88 K44,8	67553-0500
HH-SI 20/36KV 63A FC ÜLA+ 537/88 K44,8	20/36	537 88	63 1	HH-SI 20/36KV 63A FC ÜLA+ 537/88 K44,8	67553-0630
HH-SI 20/36KV 80A FC ÜLA+ 537/88 K44,8	20/36	537 88	80 1	HH-SI 20/36KV 80A FC ÜLA+ 537/88 K44,8	67553-0800



67420-0060

HV general-purpose Fuse-Links

Designation	Rated volt. kV	Length Ø	Amps PU	Product designation	Order no.
HH-SI 6/12KV 6,3A FC VB 292/65	6/12	292 65	6,3 1	HH-SI 6/12KV 6,3A FC VB 292/65	67420-0060
HH-SI 6/12KV 16A FC VB 292/65	6/12	292 65	16 1	HH-SI 6/12KV 16A FC VB 292/65	67420-0160
HH-SI 6/12KV 25A FC VB 292/65	6/12	292 65	25 1	HH-SI 6/12KV 25A FC VB 292/65	67420-0250
HH-SI 6/12KV 40A FC VB 292/78	6/12	292 78	40 1	HH-SI 6/12KV 40A FC VB 292/78	67420-0400
HH-SI 6/12KV 50A FC VB 292/88	6/12	292 88	50 1	HH-SI 6/12KV 50A FC VB 292/88	67420-0500
HH-SI 10/24KV 4A FC VB 442/78	10/24	442 78	4,0 1	HH-SI 10/24KV 4A FC VB 442/78	67440-0040
HH-SI 10/24KV 6,3A FC VB 442/78	10/24	442 78	6,3 1	HH-SI 10/24KV 6,3A FC VB 442/78	67440-0060
HH-SI 10/24KV 10A FC VB 442/78	10/24	442 78	10 1	HH-SI 10/24KV 10A FC VB 442/78	67440-0100
HH-SI 10/24KV 16A FC VB 442/78	10/24	442 78	16 1	HH-SI 10/24KV 16A FC VB 442/78	67440-0160
HH-SI 10/24KV 25A FC VB 442/88	10/24	442 88	25 1	HH-SI 10/24KV 25A FC VB 442/88	67440-0250

HV Fuse-Links acc. to VDE 0670 T4 / IEC 60 282-1

► Technical data, page 102



67220-0400

HV back-up Fuse-Links acc. to VDE 0670 T4 / IEC 60 282-1

Designation	Rated volt. kV	Length	Ø	Amps	PU	Product designation	Order no.
HH-SI 3/7,2KV 2A FC TB 192/56	3/7,2	192	56	2	1	HH-SI 3/7,2KV 2A FC TB 192/56	67210-0020
HH-SI 3/7,2KV 4A FC TB 192/56	3/7,2	192	56	4	1	HH-SI 3/7,2KV 4A FC TB 192/56	67210-0040
HH-SI 3/7,2KV 63A FC TB 192/65	3/7,2	192	65	63	1	HH-SI 3/7,2KV 63A FC TB 192/65	67210-0630
HH-SI 3/7,2KV 80A FC TB 192/65	3/7,2	192	65	80	1	HH-SI 3/7,2KV 80A FC TB 192/65	67210-0800
HH-SI 3/7,2KV 100A FC TB 192/65	3/7,2	192	65	100	1	HH-SI 3/7,2KV 100A FC TB 192/65	67210-1000
HH-SI 3/7,2KV 160A FC TB 192/88	3/7,2	192	88	160	1	HH-SI 3/7,2KV 160A FC TB 192/88	67210-1600
HH-SI 3/7,2KV 200A FC TB 192/88	3/7,2	192	88	200	1	HH-SI 3/7,2KV 200A FC TB 192/88	67210-2000
HH-SI 6/12KV 1A FC TB 292/56	6/12	292	56	1	1	HH-SI 6/12KV 1A FC TB 292/56	67220-0010
HH-SI 6/12KV 2A FC TB 292/56	6/12	292	56	2	1	HH-SI 6/12KV 2A FC TB 292/56	67220-0020
HH-SI 6/12KV 4A FC TB 292/56	6/12	292	56	4	1	HH-SI 6/12KV 4A FC TB 292/56	67220-0040
HH-SI 6/12KV 6,3A FC TB 292/56	6/12	292	56	6,3	1	HH-SI 6/12KV 6,3A FC TB 292/56	67220-0060
HH-SI 6/12KV 10A FC TB 292/56	6/12	292	56	10	1	HH-SI 6/12KV 10A FC TB 292/56	67220-0100
HH-SI 6/12KV 16A FC TB 292/56	6/12	292	56	16	1	HH-SI 6/12KV 16A FC TB 292/56	67220-0160
HH-SI 6/12KV 20A FC TB 292/56	6/12	292	56	20	1	HH-SI 6/12KV 20A FC TB 292/56	67220-0200
HH-SI 6/12KV 25A FC TB 292/56	6/12	292	56	25	1	HH-SI 6/12KV 25A FC TB 292/56	67220-0250
HH-SI 6/12KV 31,5A FC TB 292/56	6/12	292	56	31,5	1	HH-SI 6/12KV 31,5A FC TB 292/56	67220-0320
HH-SI 6/12KV 40A FC TB 292/56	6/12	292	56	40	1	HH-SI 6/12KV 40A FC TB 292/56	67220-0400
HH-SI 6/12KV 50A FC TB 292/56	6/12	292	56	50	1	HH-SI 6/12KV 50A FC TB 292/56	67220-0500
HH-SI 6/12KV 63A FC TB 292/56	6/12	292	56	63	1	HH-SI 6/12KV 63A FC TB 292/56	67220-0630
HH-SI 6/12KV 80A FC TB 292/65	6/12	292	65	80	1	HH-SI 6/12KV 80A FC TB 292/65	67220-0800
HH-SI 6/12KV 100A FC TB 292/65	6/12	292	65	100	1	HH-SI 6/12KV 100A FC TB 292/65	67220-1000
HH-SI 6/12KV 125A FC TB 292/88	6/12	292	88	125	1	HH-SI 6/12KV 125A FC TB 292/88	67220-1250
HH-SI 6/12KV 160A FC TB 292/88	6/12	292	88	160	1	HH-SI 6/12KV 160A FC TB 292/88	67220-1600
HH-SI 6/12KV 200A FC TB 292/88	6/12	292	88	200	1	HH-SI 6/12KV 200A FC TB 292/88	67220-2000
HH-SI 6/12KV 250A FC TB 292/88	6/12	292	88	250	1	HH-SI 6/12KV 250A FC TB 292/88	67220-2500
HH-SI 10/17,5KV 2A FC TB 367/56	10/17,5	367	56	2	1	HH-SI 10/17,5KV 2A FC TB 367/56	67230-0020
HH-SI 10/17,5KV 4A FC TB 367/56	10/17,5	367	56	4	1	HH-SI 10/17,5KV 4A FC TB 367/56	67230-0040
HH-SI 10/17,5KV 50A FC TB 367/65	10/17,5	367	65	50	1	HH-SI 10/17,5KV 50A FC TB 367/65	67230-0500
HH-SI 10/17,5KV 63A FC TB 367/65	10/17,5	367	65	63	1	HH-SI 10/17,5KV 63A FC TB 367/65	67230-0630
HH-SI 10/17,5KV 80A FC TB 367/65	10/17,5	367	65	80	1	HH-SI 10/17,5KV 80A FC TB 367/65	67230-0800
HH-SI 10/17,5KV 100A FC TB 367/65	10/17,5	367	65	100	1	HH-SI 10/17,5KV 100A FC TB 367/65	67230-1000
HH-SI 10/24KV 1A FC TB 442/56	10/24	442	56	1	1	HH-SI 10/24KV 1A FC TB 442/56	67240-0010
HH-SI 10/24KV 2A FC TB 442/56	10/24	442	56	2	1	HH-SI 10/24KV 2A FC TB 442/56	67240-0020
HH-SI 10/24KV 4A FC TB 442/56	10/24	442	56	4	1	HH-SI 10/24KV 4A FC TB 442/56	67240-0040
HH-SI 10/24KV 6,3A FC TB 442/56	10/24	442	56	6,3	1	HH-SI 10/24KV 6,3A FC TB 442/56	67240-0060
HH-SI 10/24KV 10A FC TB 442/56	10/24	442	56	10	1	HH-SI 10/24KV 10A FC TB 442/56	67240-0100
HH-SI 10/24KV 16A FC TB 442/56	10/24	442	56	16	1	HH-SI 10/24KV 16A FC TB 442/56	67240-0160
HH-SI 10/24KV 20A FC TB 442/56	10/24	442	56	20	1	HH-SI 10/24KV 20A FC TB 442/56	67240-0200
HH-SI 10/24KV 25A FC TB 442/56	10/24	442	56	25	1	HH-SI 10/24KV 25A FC TB 442/56	67240-0250
HH-SI 10/24KV 31,5A FC TB 442/56	10/24	442	56	31,5	1	HH-SI 10/24KV 31,5A FC TB 442/56	67240-0320
HH-SI 10/24KV 40A FC TB 442/56	10/24	442	56	40	1	HH-SI 10/24KV 40A FC TB 442/56	67240-0400
HH-SI 10/24KV 50A FC TB 442/56	10/24	442	56	50	1	HH-SI 10/24KV 50A FC TB 442/56	67240-0500
HH-SI 10/24KV 63A FC TB 442/65	10/24	442	65	63	1	HH-SI 10/24KV 63A FC TB 442/65	67240-0630
HH-SI 10/24KV 80A FC TB 442/65	10/24	442	65	80	1	HH-SI 10/24KV 80A FC TB 442/65	67240-0800
HH-SI 10/24KV 100A FC TB 442/78	10/24	442	78	100	1	HH-SI 10/24KV 100A FC TB 442/78	67240-1000
HH-SI 10/24KV 125A FC TB 442/88	10/24	442	88	125	1	HH-SI 10/24KV 125A FC TB 442/88	67240-1250
HH-SI 10/24KV 160A FC TB 442/88	10/24	442	88	160	1	HH-SI 10/24KV 160A FC TB 442/88	67240-1600
HH-SI 20/36KV 2A FC TB 537/56	20/36	537	56	2	1	HH-SI 20/36KV 2A FC TB 537/56	67250-0020
HH-SI 20/36KV 4A FC TB 537/56	20/36	537	56	4	1	HH-SI 20/36KV 4A FC TB 537/56	67250-0040
HH-SI 20/36KV 6,3A FC TA 537/56	20/36	537	56	6,3	1	HH-SI 20/36KV 6,3A FC TA 537/56	67150-0060
HH-SI 20/36KV 10A FC TA 537/56	20/36	537	56	10	1	HH-SI 20/36KV 10A FC TA 537/56	67150-0100
HH-SI 20/36KV 16A FC TA 537/56	20/36	537	56	16	1	HH-SI 20/36KV 16A FC TA 537/56	67150-0160
HH-SI 20/36KV 20A FC TA 537/56	20/36	537	56	20	1	HH-SI 20/36KV 20A FC TA 537/56	67150-0200
HH-SI 20/36KV 25A FC TA 537/56	20/36	537	56	25	1	HH-SI 20/36KV 25A FC TA 537/56	67150-0250
HH-SI 20/36KV 31,5A FC TA 537/65	20/36	537	65	31,5	1	HH-SI 20/36KV 31,5A FC TA 537/65	67150-0320
HH-SI 20/36KV 40A FC TA 537/65	20/36	537	65	40	1	HH-SI 20/36KV 40A FC TA 537/65	67150-0400
HH-SI 20/36KV 50A FC TA 537/88	20/36	537	88	50	1	HH-SI 20/36KV 50A FC TA 537/88	67150-0500
HH-SI 20/36KV 63A FC TA 537/88	20/36	537	88	63	1	HH-SI 20/36KV 63A FC TA 537/88	67150-0630

HV Fuse-Links acc. to VDE 0670 T4 / IEC 60 282-1

Fuse-Links

► Technical data, page 102



67520-0100

HV back-up Fuse-Links acc. to VDE 0670 T4 / IEC 60 282-1 with controlled power dissipation (ÜLA)

Designation	Rated volt. kV	Length	Ø	Amps	PU	Product designation	Order no.
HH-SI 6/12KV 1A FC TB ÜLA 292/56	6/12	292	56	1	1	HH-SI 6/12KV 1A FC TB ÜLA 292/56	67220-0019
HH-SI 6/12KV 2A FC TB ÜLA 292/56	6/12	292	56	2	1	HH-SI 6/12KV 2A FC TB ÜLA 292/56	67220-0029
HH-SI 6/12KV 4A FC TB ÜLA 292/56	6/12	292	56	4	1	HH-SI 6/12KV 4A FC TB ÜLA 292/56	67220-0049
HH-SI 6/12KV 6,3A FC TB ÜLA 292/56	6/12	292	56	6,3	1	HH-SI 6/12KV 6,3A FC TB ÜLA 292/56	67220-0069
HH-SI 6/12KV 10A FC TB ÜLA 292/56	6/12	292	56	10	1	HH-SI 6/12KV 10A FC TB ÜLA 292/56	67220-0109
HH-SI 6/12KV 16A FC TB ÜLA 292/56	6/12	292	56	16	1	HH-SI 6/12KV 16A FC TB ÜLA 292/56	67220-0169
HH-SI 6/12KV 20A FC TB ÜLA 292/56	6/12	292	56	20	1	HH-SI 6/12KV 20A FC TB ÜLA 292/56	67220-0209
HH-SI 6/12KV 25A FC TB ÜLA 292/56	6/12	292	56	25	1	HH-SI 6/12KV 25A FC TB ÜLA 292/56	67220-0259
HH-SI 6/12KV 31,5A FC TB ÜLA 292/56	6/12	292	56	31,5	1	HH-SI 6/12KV 31,5A FC TB ÜLA 292/56	67220-0329
HH-SI 6/12KV 40A FC TB ÜLA 292/56	6/12	292	56	40	1	HH-SI 6/12KV 40A FC TB ÜLA 292/56	67220-0409
HH-SI 6/12KV 50A FC TB ÜLA 292/56	6/12	292	56	50	1	HH-SI 6/12KV 50A FC TB ÜLA 292/56	67220-0509
HH-SI 6/12KV 63A FC TB ÜLA 292/56	6/12	292	56	63	1	HH-SI 6/12KV 63A FC TB ÜLA 292/56	67220-0639
HH-SI 6/12KV 80A FC TB ÜLA 292/65	6/12	292	65	80	1	HH-SI 6/12KV 80A FC TB ÜLA 292/65	67220-0809
HH-SI 6/12KV 100A FC TB ÜLA 292/65	6/12	292	65	100	1	HH-SI 6/12KV 100A FC TB ÜLA 292/65	67220-1009
HH-SI 6/12KV 125A FC TB ÜLA 292/88	6/12	292	88	125	1	HH-SI 6/12KV 125A FC TB ÜLA 292/88	67220-1259
HH-SI 6/12KV 160A FC TB ÜLA 292/88	6/12	292	88	160	1	HH-SI 6/12KV 160A FC TB ÜLA 292/88	67220-1609
HH-SI 6/12KV 200A FC TB ÜLA 292/88	6/12	292	88	200	1	HH-SI 6/12KV 200A FC TB ÜLA 292/88	67220-2009
HH-SI 10/24KV 1A FC TB ÜLA 442/56	10/24	442	56	1	1	HH-SI 10/24KV 1A FC TB ÜLA 442/56	67240-0019
HH-SI 10/24KV 2A FC TB ÜLA 442/56	10/24	442	56	2	1	HH-SI 10/24KV 2A FC TB ÜLA 442/56	67240-0029
HH-SI 10/24KV 4A FC TB ÜLA 442/56	10/24	442	56	4	1	HH-SI 10/24KV 4A FC TB ÜLA 442/56	67240-0049
HH-SI 10/24KV 6,3A FC TB ÜLA 442/56	10/24	442	56	6,3	1	HH-SI 10/24KV 6,3A FC TB ÜLA 442/56	67240-0069
HH-SI 10/24KV 10A FC TB ÜLA 442/56	10/24	442	56	10	1	HH-SI 10/24KV 10A FC TB ÜLA 442/56	67240-0109
HH-SI 10/24KV 16A FC TB ÜLA 442/56	10/24	442	56	16	1	HH-SI 10/24KV 16A FC TB ÜLA 442/56	67240-0169
HH-SI 10/24KV 20A FC TB ÜLA 442/56	10/24	442	56	20	1	HH-SI 10/24KV 20A FC TB ÜLA 442/56	67240-0209
HH-SI 10/24KV 25A FC TB ÜLA 442/56	10/24	442	56	25	1	HH-SI 10/24KV 25A FC TB ÜLA 442/56	67240-0259
HH-SI 10/24KV 31,5A FC TB ÜLA 442/56	10/24	442	56	31,5	1	HH-SI 10/24KV 31,5A FC TB ÜLA 442/56	67240-0329
HH-SI 10/24KV 40A FC TB ÜLA 442/56	10/24	442	56	40	1	HH-SI 10/24KV 40A FC TB ÜLA 442/56	67240-0409
HH-SI 10/24KV 50A FC TB ÜLA 442/56	10/24	442	56	50	1	HH-SI 10/24KV 50A FC TB ÜLA 442/56	67240-0509
HH-SI 10/24KV 63A FC TB ÜLA 442/65	10/24	442	65	63	1	HH-SI 10/24KV 63A FC TB ÜLA 442/65	67240-0639
HH-SI 10/24KV 80A FC TB ÜLA 442/65	10/24	442	65	80	1	HH-SI 10/24KV 80A FC TB ÜLA 442/65	67240-0809
HH-SI 10/24KV 100A FC TB ÜLA 442/78	10/24	442	78	100	1	HH-SI 10/24KV 100A FC TB ÜLA 442/78	67240-1009

HV Fuse-Links acc. to VDE 0670 T4 / IEC 60 282-1

► Technical data, page 104



67004-0100

HV back-up Fuse-Links 6/12 kV with a length "e" of 442 mm (24-kV tube)

Designation	Rated volt. kV	Length Ø	Amps PU	Product designation	Order no.
HH-SI 6/12KV 1A FC TB 442/56	6/12	442 56 1 1	HH-SI 6/12KV 1A FC TB 442/56	67004-0010	
HH-SI 6/12KV 2A FC TB 442/56	6/12	442 56 2 1	HH-SI 6/12KV 2A FC TB 442/56	67004-0020	
HH-SI 6/12KV 4A FC TB 442/56	6/12	442 56 4 1	HH-SI 6/12KV 4A FC TB 442/56	67004-0040	
HH-SI 6/12KV 6,3A FC TB 442/56	6/12	442 56 6,3 1	HH-SI 6/12KV 6,3A FC TB 442/56	67004-0060	
HH-SI 6/12KV 10A FC TB 442/56	6/12	442 56 10 1	HH-SI 6/12KV 10A FC TB 442/56	67004-0100	
HH-SI 6/12KV 16A FC TB 442/56	6/12	442 56 16 1	HH-SI 6/12KV 16A FC TB 442/56	67004-0160	
HH-SI 6/12KV 20A FC TB 442/56	6/12	442 56 20 1	HH-SI 6/12KV 20A FC TB 442/56	67004-0200	
HH-SI 6/12KV 25A FC TB 442/56	6/12	442 56 25 1	HH-SI 6/12KV 25A FC TB 442/56	67004-0250	
HH-SI 6/12KV 31,5A FC TB 442/56	6/12	442 56 31,5 1	HH-SI 6/12KV 31,5A FC TB 442/56	67004-0320	
HH-SI 6/12KV 40A FC TB 442/56	6/12	442 56 40 1	HH-SI 6/12KV 40A FC TB 442/56	67004-0400	
HH-SI 6/12KV 50A FC TB 442/56	6/12	442 56 50 1	HH-SI 6/12KV 50A FC TB 442/56	67004-0500	
HH-SI 6/12KV 63A FC TB 442/56	6/12	442 56 63 1	HH-SI 6/12KV 63A FC TB 442/56	67004-0630	
HH-SI 6/12KV 80A FC TB 442/65	6/12	442 65 80 1	HH-SI 6/12KV 80A FC TB 442/65	67004-0800	
HH-SI 6/12KV 100A FC TB 442/65	6/12	442 65 100 1	HH-SI 6/12KV 100A FC TB 442/65	67004-1000	
HH-SI 6/12KV 125A FC TB 442/88	6/12	442 88 125 1	HH-SI 6/12KV 125A FC TB 442/88	67004-1250	
HH-SI 6/12KV 160A FC TB 442/88	6/12	442 88 160 1	HH-SI 6/12KV 160A FC TB 442/88	67004-1600	
HH-SI 6/12KV 200A FC TB 442/88	6/12	442 88 200 1	HH-SI 6/12KV 200A FC TB 442/88	67004-2000	



67004-0019

HV back-up Fuse-Links 6/12 kV with a length "e" of 442 mm (24-kV tube) with controlled power dissipation (ÜLA)

Designation	Rated volt. kV	Length Ø	Amps PU	Product designation	Order no.
HH-SI 6/12KV 10A FC TB 442/56 ÜLA	6/12	442 56 10 1	HH-SI 6/12KV 10A FC TB 442/56 ÜLA	67004-0109	
HH-SI 6/12KV 20A FC TB 442/56 ÜLA	6/12	442 56 20 1	HH-SI 6/12KV 20A FC TB 442/56 ÜLA	67004-0209	
HH-SI 6/12KV 16A FC TB 442/56 ÜLA	6/12	442 56 16 1	HH-SI 6/12KV 16A FC TB 442/56 ÜLA	67004-0169	
HH-SI 6/12KV 31,5A FC TB 442/56 ÜLA	6/12	442 56 31,5 1	HH-SI 6/12KV 16A FC TB 442/56 ÜLA	67004-0329	
HH-SI 6/12KV 25A FC TB 442/56 ÜLA	6/12	442 56 25 1	HH-SI 6/12KV 25A FC TB 442/56 ÜLA	67004-0259	
HH-SI 6/12KV 40A FC TB 442/56 ÜLA	6/12	442 56 40 1	HH-SI 6/12KV 40A FC TB 442/56 ÜLA	67004-0409	
HH-SI 6/12KV 50A FC TB 442/56 ÜLA	6/12	442 56 50 1	HH-SI 6/12KV 50A FC TB 442/56 ÜLA	67004-0509	
HH-SI 6/12KV 63A FC TB 442/56 ÜLA	6/12	442 56 63 1	HH-SI 6/12KV 63A FC TB 442/56 ÜLA	67004-0639	
HH-SI 6/12KV 80A FC TB 442/65 ÜLA	6/12	442 65 80 1	HH-SI 6/12KV 80A FC TB 442/65 ÜLA	67004-0809	
HH-SI 6/12KV 100A FC TB 442/65 ÜLA	6/12	442 65 100 1	HH-SI 6/12KV 100A FC TB 442/65 ÜLA	67004-1009	
HH-SI 6/12KV 125A FC TB 442/88 ÜLA	6/12	442 88 125 1	HH-SI 6/12KV 125A FC TB 442/88 ÜLA	67004-1259	
HH-SI 6/12KV 160A FC TB 442/88 ÜLA	6/12	442 88 160 1	HH-SI 6/12KV 160A FC TB 442/88 ÜLA	67004-1609	

Test devices and HV Fuse-Links for voltage transformers

► Technical data, page 92, 107



68013-0020

Test device for tripping medium voltage switches

Designation	Rated volt. kV	Length Ø	Amps PU	Product designation	Order no.
Test device 192 mm, 65 Nm	7,2	192	1	PRÜFSICHERUNG 65N e/D = 192mm	68013-0020
Extension to 292 mm	12	292	1	VERLÄNGER. F. PRÜFSICHERUNG 12KV e/D=292	68014-0010
Extension to 442 mm	24	442	1	VERLÄNGER. F. PRÜFSICHERUNG 24KV e/D=442	68015-0010



67036-0003

High-voltage Fuse-Links for high-voltage transformer "HSW" acc. to VDE 0670 T4 / IEC 60 282-1

Designation	Rated volt. kV	Length Ø	Amps PU	Product designation	Order no.
Without indicator	6/12	160	22 1,25 1	HSW 6/12KV OHNE ANZEIGER	67036-0003
Without indicator	15/24	280	22 1,25 1	HSW 15/24KV OHNE ANZEIGER	67037-0003
Without indicator	20/36	421	37 1,00 1	HSW 20/36KV OHNE ANZEIGER	67088-0003
With indicator	6/12	160	22 1,6 1	HSW 6/12KV	67036-0004
With indicator	15/24	280	22 1,4 1	HSW 15/24KV	67037-0004

Accessories for HV Fuse-Links

► Technical data, page 106



68007-0010

HV fuse base acc. to DIN 43 624 for indoor use

Designation	Rated volt. kV	Length	Ø	Amps	PU	Product designation	Order no.
Fuse base	12	293	45	1		HH-SICHERUNGSTRÄGER 12KV INNENRAUM BZM	68007-0010
Fuse base	24	443	45	1		HH-SICHERUNGSTRÄGER 24KV INNENRAUM BZM	68008-0010
Fuse base	36	538	45	1		HH-SICHERUNGSTRÄGER 36KV INNENRAUM BZM	68012-0010
Fuse base	7,2	193	45	1		HH-SICHERUNGSTRÄGER 7,2KV INNENRAUM BZM	68021-0010



68016-0010

Fuse base contacts, 200 A rated current, for indoor use

Designation	Amps	PU	Product designation	Order no.
Fuse base contacts	200	1	RUNDKONTAKT NBF MIT ANSCHLUSSMATERIAL	68016-0010
Fuse base contact with anti-vibration bracket	200	1	Rundkontakt mit Bügel für Rüttelsicherheit	68005-0010

Fuse base contacts, 200 A rated current, for outdoor use

Designation	Amps	PU	Product designation	Order no.
Fuse base contacts	200	1	RUNDKONTAKT FREILUFT	81931-0100

HSW-fuse holder

Designation	PU	Product designation	Order no.
HSW FUSE HOLDER	1	HSW-SICHERUNGSHALTER / FUSE HOLDER	68022-0010



67033-0003

HV solid links

Designation	Rated volt. kV	Length	Ø	Amps	PU	Product designation	Order no.
Solid link 292/51	12	292	51	1		DURCHSCHALTEINSATZ 12KV 292/51	67033-0003
Solid link 442/51	24	442	51	1		DURCHSCHALTEINSATZ 24KV 442/51	67034-0003



68003-0100

Adapter for high-voltage Fuse-Links acc. to DIN 43 625

Features:

- For use of 292-mm (12-kV) fuse-links in 442-mm (24-kV) systems
- For HV fuse-links with grooved cap only

Designation	Ø	Amps	PU	Product designation	Order no.
Adapter	45	200	1	ADAPTER FÜR HH-SI IN SENKR. MONTAGE	68003-0100
Adapter HV-SI 44.8			1	Adapter HH-SI 44,8	68003-0200



68004-0010

Wall rack

Features:

- Holds 3 HV fuse-links

Designation	Amps	PU	Product designation	Order no.
Wall rack		2	WANDHALTERUNG FÜR HH-SICHERUNGEN	68004-0010

HV Fuse-Links General remarks

General information

HV fuse-links have been ensuring reliable protection in medium-voltage substations and grids for decades. They protect systems and equipment against the thermal and dynamic effects of short-circuits.

EFEN HV fuse-links provide the following significant features:

- High breaking capacity
- High current limitation
- Low switching voltage
- Quick breaking
- Non-ageing

EFEN HV fuse-links comply with the following standards:

- VDE 0670 T4 / IEC 60 282-1: High-voltage "current-limiting fuses"
- VDE 0670 T402: Selection of current-limiting fuses for transformer circuits
- IEC 60 787: Application guide for the selection of fuse-links of high-voltage fuses for transformer circuit applications
- VDE 0671 T105 / IEC 62271-105: High-voltage switch-fuse combinations
- DIN 43 625: High-voltage fuses, rated voltages 3.6 to 36 kV (fuse-link dimensions)
- DIN 43 624: High-voltage fuses, rated voltages 3/3.6 to 30/36 kV (single-pole fuse bases)

Terms and definitions

According to the applicable standards and physical properties, distinction is made between back-up fuse-links and general-purpose fuse-links:

Back-up Fuse-Links

Back-up fuse-links have a "rated minimum breaking current" from which the fuse-links are able to interrupt current. Back-up fuse-links cannot interrupt current when operated below their "rated minimum breaking current" (below I_3). They operate from I_3 to the "rated maximum breaking current" (I_1).

When assigning back-up fuse-links, it must be considered that the lowest short-circuit current at the point of installation of the HV back-up fuse-link is higher than I_3 ($I_{kmin} > I_3$). If the short-circuit current is possibly lower than the minimum breaking current, additional protection must be provided.

General-purpose Fuse-Links

EFEN's general-purpose fuse-links comply with the correspondingly defined standards. Their operating range is extended for lower currents. These fuse-links are capable of interrupting all currents from any current causing the fuse-link to melt within a period of at least 1 hour and up to the "maximum rated breaking current" (I_1). This allows these fuse-links to interrupt low fault currents reliably.

Striker

The strikers of the HV fuse-links of this product list have an effective length of 30 mm and are of type "medium". This classification results from the energy released by the striker between the points A and B (Fig.1). The initial force is approx. 80 N, the force at the end of the free motion is approx. 15 N. The striker is provided to serve as trip-free mechanism of the load-break switches.

The quality management system of EFEN GmbH is certified to the international standard DIN ISO 9001 (EN 29001).

EFEN applies a certified environment management system acc. to DIN ISO 14001 and the Eco Audit Order of the Council (EEC) 1836/93.

EFEN manufactures HV fuse-links dimensioned acc. to DIN 43 625 with strikers for indoor and outdoor use. Due to its red color, the striker can be used as a trip-free mechanism and also as an indicator.

In addition to the HV fuse-links shown in this catalogue, EFEN also manufactures a wide range of special-purpose fuse-links in other or custom dimensions. If you have a particular application that requires a special fuse protection solution, simply ask the EFEN team, we are there for you!

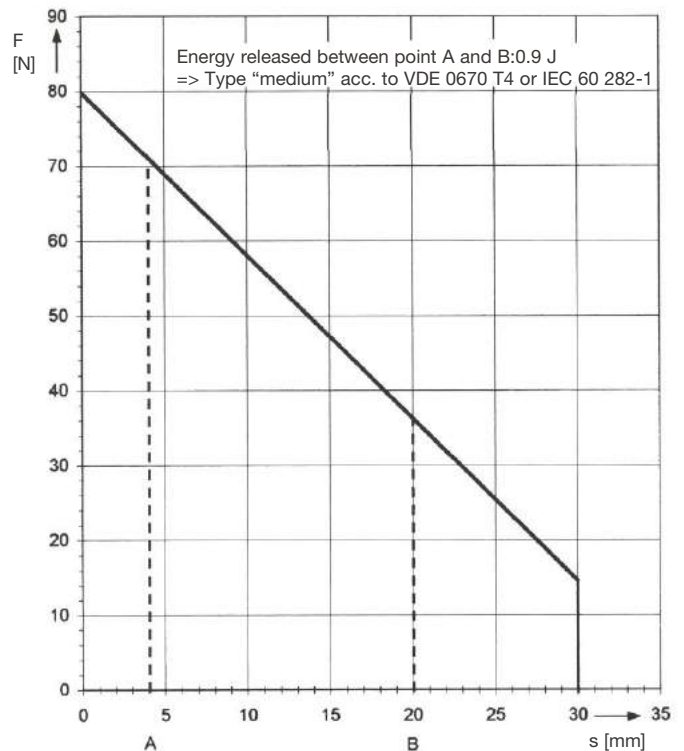


Fig.1

HV Fuse-Links

General remarks

Rated voltage range

When selecting HV fuse-links, it is important to ensure that these are operated at the voltage for which they are rated. Accordingly, the operating voltage must correspond to the maximum rated voltage of the fuse-link. Because of the switching voltage occurring during arcing, the fuse-link cannot be used at lower voltages without limitation. Accordingly, a lower operating voltage must also be observed at which the fuse-link can still be used without exceeding the system insulation level during arcing. These two values define the fuse-link's permissible voltage range indicated on the fuse-link or in the technical data, e.g. 10/24 kV.

Breaking capacity I_1

The breaking capacity is also referred to as "rated maximum breaking current". This clearly indicates that this is the maximum current that the fuse-link is able to interrupt.

I_1 of the fuse-link must be greater than the maximum short-circuit current at the fuse-link's point of installation ($I_1 > I_{Kmax}$).

Minimum breaking current I_3

According to the standard, the minimum breaking current is referred to as "rated minimum breaking current". This value must be specified on backup fuse-links. This is the minimum current from which on back-up fuse-links are capable of breaking fault currents.

Fuse-links must be assigned to systems in such a way that no fault current below I_3 can occur at the fuse-link's point of installation (because of the system parameters or other protective devices).

Power dissipation of a fuse-link P_{warm}

The power dissipation of an HV fuse-link is specified at the fuse-link's rated current. When protecting systems with HV fuse-links, it must be noted that the operating current is normally no more than half the rated current. Due to the physical correlations, the actual power dissipation is less than a quarter of the value P_{warm} shown in the technical data table for HV fuse-links.

Time-current characteristic (I/t characteristic)

The time-current characteristics show the correlation between the current and pre-arcing time required for the fuse-element to melt. This is indicated as the virtual time (t_{vs}) to allow comparing the I/t characteristics of fuse-links in the range below 100 ms. For coordination with other protective devices such as load-break switches or circuit breakers tripping at less than 100 ms the pre-arcing interval of I^2t must be applied.

Current limitation

At high short-circuit currents, HV fuse-links interrupt currents within few milliseconds. This means that the sinusoidal current does not reach its peak value and the HV fuse-links act as current-limiting devices. This is a significant advantage compared to mechanical switches whose contacts take longer to open and interrupt currents at natural zero. During this period, the peak short-circuit current is able to freely develop its dynamic force. By using HV fuse-links, this surge current is limited within several ms to a fraction of its peak value, allowing the design of the downstream system to be reduced in terms of dynamic forces.

Switching voltage

To allow HV fuse-links to perform as current-limiters, the short-circuit current must be limited and reduced already as it increases. This requires a switching voltage that counteracts the driving system voltage and forces the current to zero. According to the specifications stated above, this switching voltage must not exceed the permissible value of 2.2 times the peak value of the maximum rated voltage. EFEN HV fuse-links meet this requirement.

Dimensions

HV fuse-links in this product list comply with DIN 43 625. Fig. 2 shows the contact cap dimensions defined in this standard. Dimension "e" varies depending on the rated voltage of HV fuse-links and is shown as "dimension" of the fuse-links in the corresponding technical data tables. In addition, diameter "d" varies with the rated current. The corresponding values are also shown in the tables.

(Tables on page 90, 98, 101, 102 and 103)



Fig. 2
Dimensions acc. to DIN 43 625 in mm

HV Fuse-Links

General remarks

Description of further applications of EFEN HV Fuse-Links

Protection of high-voltage motors

With EFEN HV back-up fuse-links, high-voltage squirrel-cage motors can be protected against the effects of high short-circuit currents. Overloads must be interrupted by accompanying protective devices.

Protection of high-voltage capacitors

EFEN HV back-up fuse-links can be used to protect individual capacitors in the event of a short-circuit. However, particular aspects must be taken into account with respect to the rated voltage and rated current of the HV fuse-links.

Protection against distance short-circuits

HV fuse-links are not always used on bus bars or directly at the feeder, but rather directly upstream of the transformer at the end of a stub line. In such cases, it should be noted that the short-circuit current at the installation point of the HV fuse-links can be considerably lower than the current on a transformer secondary terminal short-circuit. In addition to transformer impedance, line impedance must also be taken into account.

Special applications

In addition to the standard applications described above, EFEN HV fuse-links can also be used for a wide range of special-purpose applications:

- Protection of voltage transformers
- Protection of capacitive transformers
- Protection of railway installations (16 2/3 Hz or DC)

Oil-tight HV Fuse-Links

EFEN also manufactures oil-tight HV fuse-links.

These fuse-links can be directly integrated into the devices to be protected such as transformer as they are suitable for oil-submerged operation.

These HV fuse-links can be manufactured with and without striker. Their contact caps can be fitted with threaded studs or nuts for the connection of cable lugs.

EFEN has developed a wide range of HV fuse-links for special applications which would be too numerous to list here.

Whenever you are facing a non-standard protection task, we will be happy to assist you in finding an optimal solution!

HV Fuse-Links

General remarks

Protection of transformers

The following must be observed when selecting HV fuse-links:

- a) Transformer ratings
 - Rated operating voltage (U)
 - Rated output (S)
 - rel. short-circuit voltage (u_k %)
 - Inrush current ($8... 12 I_N$)
- b) Time-current characteristics of HV fuse-links
- c) Secondary protective devices/selectivity

Procedure explained using an example:

A 630 kVA transformer has a transformer rated current of 18.2 A at a rated operating voltage of 20 kV. The relative short-circuit voltage is 4%, and the inrush current is $12 \times I_N$. The short-circuit current on the secondary terminal short-circuit results from the relative short-circuit voltage. The transformer must be designed to withstand this current for 2 seconds. This condition results in point b) in Fig. 3. HV fuse-links must break this current within 2 seconds. In Fig. 3, fuse-link F4 must not be used for this transformer, as the fuse-link will require more than 2 seconds to melt at the given short-circuit current.

The inrush current is plotted for a duration of 0.1 seconds, resulting in point a). This inrush current must not melt the fuse-link. Accordingly, fuse-link F1 cannot be used for this transformer.

Fuse-links F2 and F3 may be used for this transformer since their time-current characteristics are between points a) and b). Several HV fuse-links for various rated currents can therefore be assigned to a transformer. The selection of the correct fuse must be based on the time-current characteristic and not the rated current of the HV fuse-link.

German standard VDE 0670 T402 defines time-current ranges for rated currents, taking into account points a) and b) as well as the selectivity to the NH fuse-links of utilization category gTr. If an HV fuse-link is assigned to a transformer according to part 402, all of the above factors must be taken into account to select the correct HV fuse-link.

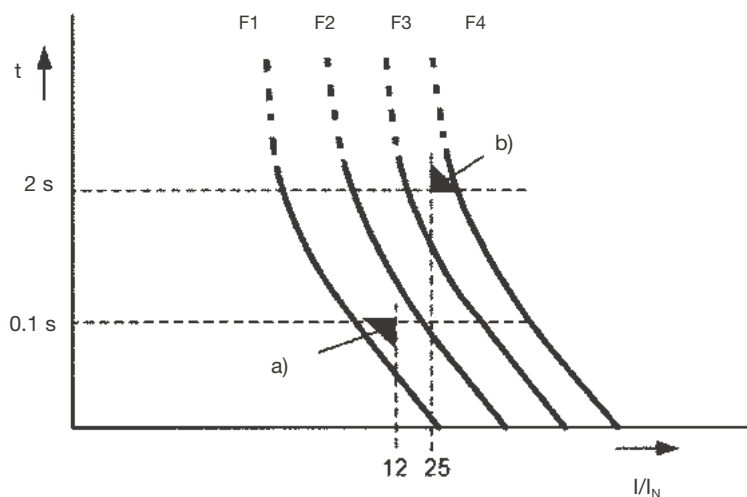


Fig. 3

- F1– F4) Time-current characteristics for HV fuse-links
- a) Inrush current
 - b) Lowest short-circuit current of the transformer

HV Fuse-Links General remarks

HV back-up Fuse-Links acc. to VDE 0670 T4 / IEC 60 282-1 with controlled power dissipation (ÜLA)

Application

EFEN HV back-up fuses of type ÜLA meet the requirements of VDE 0670 and are specifically designed for installation in compact, enclosed SF6-insulated substations. In these substations, the fuse-links are installed in tight compartments. These significantly affect heat dissipation and only absorb a limited amount of heat. However, overheating of fuse compartments in such enclosures is not to be expected if EFEN HV fuse-links have been properly selected and are matched to the transformer to be protected according to table 3, and if the fuse-links are in faultless condition (Fig. 4).

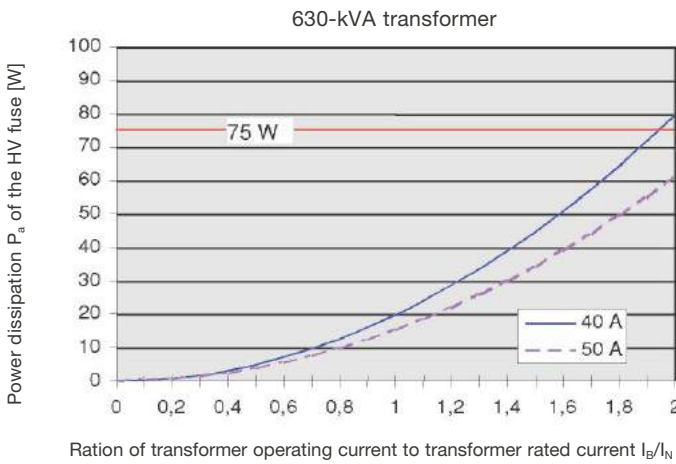


Fig. 4: Power dissipation of 40-A and 50-A HV fuse-links for a 20-kV 630-kVA transformer

One or more of the fuse elements connected in parallel may be interrupted by transient currents caused by transformer inrush or lightning current. As a result, fuses dissipate significantly more heat. There is a certain risk that the heat absorption limit for transformer rated current of the fuse compartments may be exceeded. EFEN HV back-up fuses of type ÜLA prevent such overheating when installed in conjunction with a transformer switch having a trip-free mechanism.

Operating mode

The average heat absorption of the fuse compartments is approximately 75 W. To prevent thermal overload, heat output P_a of the fuse must not exceed this limit:

$$P_a \leq 75 \text{ W}$$

The ÜLA striker system controls the power dissipation of the fuse as the tripping of the striker depends on the voltage, and power dissipation, accordingly:

$$U_a = R \cdot I_B$$

$$U_a \cdot I_B = P_a \leq 75 \text{ W}$$

The tripping voltage U_a of the ÜLA striker system has been selected so that, when multiplied by the operating current I_B , it will not exceed the limiting value, e.g. 75 W, if the resistance R of the fuse elements increases. In this case the ÜLA striker system controls the power dissipation of the fuse, triggering the transformer switch before the permissible power acceptance of the fuse compartment is exceeded (Fig. 5).

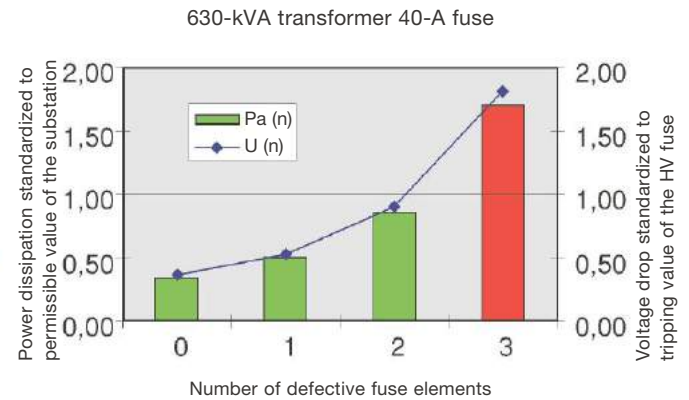


Fig. 5: Controlled power dissipation at 1.3 times the transformer rated current

Benefits of protection with controlled power dissipation (ÜLA)

- ÜLA controls the power dissipation of the fuse-links
- ÜLA is based on Ohm's law
- ÜLA works independently of the installation position of the fuse
- ÜLA trips the striker before the system overheats
- ÜLA is non-ageing

HV fuse-switch ÜLA Plus for switch-fuse combinations

The HV fuse-switch ÜLA Plus was specially designed for use in switch-fuse combinations. This product is characterized by low power dissipation and optimized breaking capacity, even at high rated currents.

- Fast-blowing: With regard to the requirements for switch-fuse combinations according to IEC 62271-105 / VDE 0671 T105, tripping speed in the range of 10 – 100ms was significantly increased. Letting the fuse perform the switching of the transformer short circuit current is a requirement. This is supported by the special characteristics of the fuse.
- Lower power dissipation: Reducing power dissipation by up to 30% allows protection with a switch-fuse combination even with large transformers and also reduces costs.
- Combined control system: The process of controlling temperature and power dissipation simultaneously allows excellent system protection.

The HV ÜLA Plus fuse-link is available from 6/12 kV to 20/36 kV. Thanks to the optimized characteristics, this line of fuse-links is especially suitable for use in gas-insulated SF6-substations.

HV Fuse-Links

General remarks

High-voltage switch-fuse combinations acc. to VDE 0671 T105 / IEC 62 271-105

Switches can be combined with current-limiting HV fuse-links to increase their utilization range. Such combinations offer short-circuit protection as well as load-switching capacity. HV fuse-links provide short-circuit protection while the switch interrupts the currents below the take-over current of the combination unit. Further to the inrush current, the short-circuit current on the secondary-terminal short-circuit and the low-voltage selectivity, the following switch characteristics must be taken into account:

- Rated transfer current ($I_{transfer}$)
- Switch response time (t_0)

Fig. 6 shows the rated transfer current ($I_{transfer}$) as a vertical line. The switch response time (t_0) must be multiplied by 0.9 (simplified procedure for characteristic gradient 4) and is shown as a horizontal line. This results in an intersection that is characteristic to load switches and must be established for each switch individually.

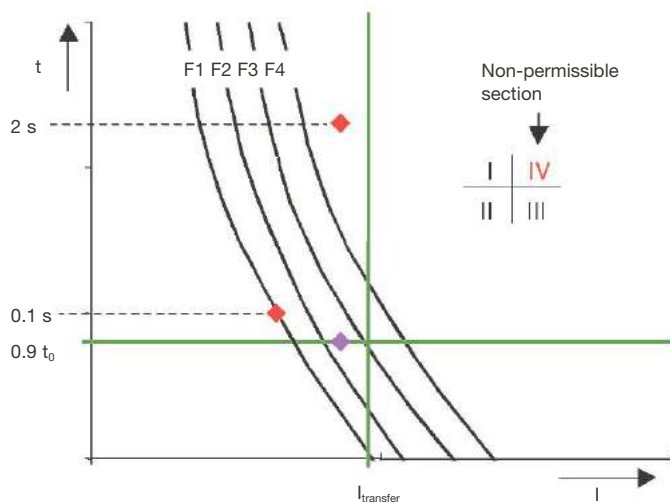


Fig. 6
Selecting an HV fuse-link acc. to VDE 0671 T105 / IEC 62 271.105

This switch intersection divides the diagram into four quadrants (see Fig. 6). Only HV fuse-links with time-current characteristic that do not pass through quadrant IV ("non-permissible section") are suitable for the switch-fuse combination described. This means that all HV fuse-links with striker that meet this requirement can be used in switch-fuse combinations according to IEC 62 271-105. EFEN has assigned HV fuse-links to suitable switches and transformers for switchgear of all major manufacturers. These documents are available on request.

EFEN HV general-purpose Fuse-Links acc. to VDE 0670 T4 / IEC 60 282-1

EFEN HV general-purpose fuse-links have an extended breaking range for low currents. Connecting two fuse elements in series in one body results in specific time-current characteristic.

This allows a specific selectivity to be established between HV general-purpose fuse-links and low-voltage circuit breakers.

While one system can reliably interrupt low pre-arcing currents with long pre-arcing times (up to one hour), the other system is ready to break high short-circuit currents. Therefore, the time-current characteristic consists of two sections. The handover (intersection) point between the two systems is at approx. 1 second (see I/t characteristic F1 in Fig. 7).

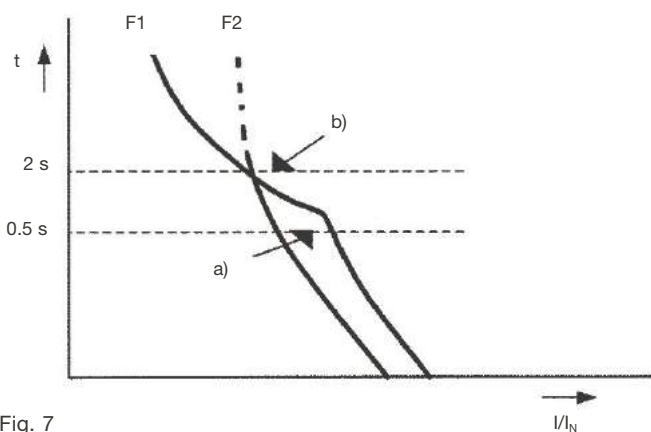


Fig. 7

- F1) Time-current characteristic of a general-purpose fuse-link
- F2) Time-current characteristic of a back-up fuse-link
- a) Selectivity to low-voltage circuit breaker
- b) Lowest short-circuit current of the transformer

In Fig. 7, point b) corresponds to the short-circuit current of a transformer. Point a) is the tripping current of a circuit breaker on the low-voltage side set e.g. to a tripping time of 0.5 seconds, transferred to the high-voltage side.

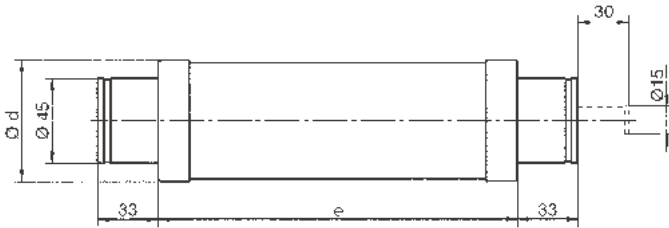
The transformer is protected by both fuse-links with I/t characteristic F1 and F2 as the short-circuit current is interrupted within 2 seconds. If a selectivity of the HV fuse-link to the circuit breaker (point a) is required, an EFEN HV general-purpose fuse-link must be used on the high-voltage side. Its time-current characteristic F1 is located to the right of point a) of the circuit-breaker, in contrast to I/t characteristic F2 of the HV back-up fuse-link which would already melt before the circuit breaker trips.

Thanks to a special manufacturing process, these HV general-purpose fuse-links can also be produced as an oil-tight variants which can be directly integrated into the transformer. Such fuse-links do not have a striker and are provided with a threaded connection on both ends. They are suitable for oil-submerged operation inside the transformer.

HV Fuse-Links

Electrical data, dimensions, weight

Fuse-Links


Technical data

HV back-up Fuse-Links acc. to VDE 0670 / IEC 60 282-1 with controlled power dissipation (ÜLA)

Order no.	Rated voltage range		Rated current In A	Rated value, Maximum breaking current I1 kA	Rated value, Minimum breaking current I3 A	Dimensions		Resistance and power dissipation		Operat- ing integral A²s	Weight kg		
	Un kV					e mm	d mm	R initial mΩ	P warm W				
67523.0100	6/12		10	63	35	292	56	227	29	3.000	1,6		
67523.0160			16		64			66	21	3.700			
67523.0200			20		90			51	25	4.700			
67523.0250			25		95			40	29	4.920			
67523.0320			31,5		110			30	39	7.000			
67523.0400			40		134			20	46	14.000			
67523.0500			50		190			15	62	25.300			
67523.0630			63		250			65	58	52.200		2,1	
67523.0800			80		280			9,5	82	78.000			
67523.1000			100		330			78	7,4	103		152.000	2,3
67523.1250	125	430	88	5,2	109	266.800	2,5						
67524.1000	100	325	442	78	7,5	100	169.500	3,3					
67524.1250	125	430			5,3	109	291.000						
67524.1600	160	460			4,4	175	358.500						
67543.0060	10/24		6,3	63	23	442	56	640	31	800	2,3		
67543.0100			10		36			386	48	2.000			
67543.0160			16		73			127	42	2.340			
67543.0200			20		91			97	53	3.900			
67543.0250			25		116			73	60	6.500			
67543.0320			31,5		125			57	84	7.000			
67543.0400			40		161			41	96	14.200			
67543.0500			50		210			65	27	89		27.900	3,1
67543.0630			63		235			78	21	102		67.000	3,3
67543.0800			80		265				17	153		92.500	
67543.1000	100	345	88	13,6	200	152.000	5,9						
67543.1250	125	435		10,1	254	279.000							
67553.0060	20/36		6,3	31,5	20	537	56	889	39	600	2,7		
67553.0100			10		33			529	66	2.000			
67553.0160			16		66			190	67	2.340			
67553.0200			20		95			153	84	3.900			
67553.0250			25		110			118	100	6.500			
67553.0320			31,5		135			65	82	119		7.000	3,7
67553.0400			40		200				63	176		14.200	
67553.0500			50		220			88	40	130		34.000	6,5
67553.0630			63		250				31	165		72.500	
67553.0800			80		340				24	229		119.000	

* This rated current requires a reduction factor. Reduction factors are available on request.

HV Fuse-Links

Selection table for HV back-up Fuse-Links

VDE 0670 T402 with ÜLA Plus / selection table acc. to IEC 62271-105

Rated voltage range of the fuse-link (kV)	Rated operating voltage of the transformer	Transformer rated output in kVA															
		U _K = 4 %									U _K = 6 %						
		100	125	160	200	250	315	400	500	630	630	800	1000	1250	1600	2000	2500
6/12 10	Transformer rated current in A	5,8	7,2	9,2	11,5	14,4	18,2	23,1	28,9	36,4	36,4	46,2	57,7	72,2	92,4		
	Short-circuit current 2s in A	144	180	231	289	361	455	577	722	909	606	770	962	1203	1540		
	Transfer current I transfer in A T ₀ = 40 ms	143	143	184	258	321	433	567	512	660	512	660	837	1135	1320		
	Rated current of the fuse-link in A	16	16	20	25	31,5	40	50	63	80	63	80	100	125	160		
	Power dissipation of the fuse-link IN transf. in W	1,9	3,0	3,4	4,7	5,3	6,9	8,3	8,1	11,3	14,0	19,8	24,1	26,3	42,2		
10/24 20	Transformer rated current in A	2,9	3,6	4,6	5,8	7,2	9,1	11,5	14,4	18,2	18,2	23,1	28,9	36,1	46,2	57,7	72,2
	Short-circuit current 2s in A	72	90	115	144	180	227	289	361	455	303	385	481	601	770	962	1203
	Transfer current I transfer in A	72	72	72	136	173	239	239	310	436	307	436	450	562	701	860	1184
	Rated current of the fuse-link in A	10	10	10	16	20	25	25	31,5	40	31,5	40	50	63	80	100	125
	Power dissipation of the fuse-link IN transf. in W	2,6	4,0	6,7	4,0	4,8	5,8	9,7	11,8	13,2	20,2	23,1	23,6	24,1	36,9	48,2	61,2
20/36 30	Transformer rated current in A	1,9	2,4	3,1	3,8	4,8	6,1	7,7	9,6	12,1	12,1	15,4	19,2	24,1	30,8	38,5	48,1
	Short-circuit current 2s in A	48	60	77	96	120	152	192	241	303	202	257	321	401	513	642	802
	Transfer current I transfer in A T ₀ = 40 ms	39	39	71	71	71	139	181	181	228	181	228	315	400	450	577	731
	Rated current of the fuse-link in A	6,3	6,3	10	10	10	16	20	20	25	20	25	31,5	40	50	63	80
	Power dissipation of the fuse-link IN transf. in W	2,4	3,7	4,1	6,3	6,1	3,6	6,3	13,1	15,9	22,8	28,3	33,0	46,9	51,7	45,7	61,0

HV Fuse-Links General remarks

High-voltage Fuse-Links for voltage transformer "HSW" acc. to VDE 0670 T4 / IEC 60 282-1

HV fuse-links for voltage transformers (HSW) offer protection against short-circuits. They reliably isolate the defective transformer from the power supply.

Their compact design enables integration into the transformer housing. By sealing the transformer housing with a screw cap, the HSW can be replaced and is visible from outside if the screw cap has a window. For status indication purposes, the HSW can be provided with an indicator. The HSW can be used for transformers with an output limit of up to 3000 VA (6 to 12 kV) or 6000 VA (15 to 24 kV).

In the event of a short-circuit, the HSW significantly reduces the current in such a way that the maximum peak current of 1 kA flows only for a few microseconds. In this way, effects of the defect on the supplying system are largely prevented.



Fig. 8

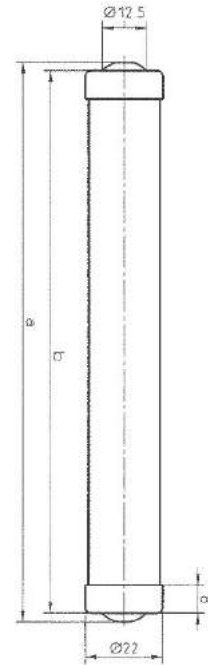


Fig. 9

HV Fuse-Links for voltage transformers

Electrical data, dimensions, weight

Variant	Rated voltage range U_N kV	Dimensions		Initial resistance	Weight kg	PU	Order no.
		a mm	b mm	$R_{initial}$ max. Ω			
with indicator	6/12	160	155	7	0,15	1	67036-0004
with indicator	15/24	280	275	12	0,27	1	67037-0004
without indicator	6/12	160	155	7	0,15	1	67036-0003
without indicator	15/24	280	275	12	0,27	1	67037-0003
without indicator	20/36	421	-	9	2,7	1	67088-0003

HV Fuse-Links

Selection table acc. to VDE 0670 T402 / IEC 60 282-1

Selection table for HV back-up Fuse-Links acc. to VDE 0670 T402 / IEC 60 282-1 with selectivity to the low-voltage fuse-link (gTr/gG)

Table 1

Rated voltage range of the fuse-link [kV]	Mode of protection, rated current of the fuse-link [A]	Transformer rated output [kVA]											
		Rel. short circuit voltage						u _K = 4 %				u _K = 5 %	
		50	100	125	160	200	250	315	400	500	630	800	1000
3/7,2	I _N Tr	4,8	9,6	12,0	15,4	19,2	24,1	30,3	38,5	48,1	60,6	77,1	96,3
	with NH gG	16	20-25	25-31,5	31,5-40	40-50	50-63	63-80	80-100	100-125	100-160	160	160
6	with NH gTr		20-25	25-31,5	31,5-40	40-50	50-63	63-80	80-100	100-125	100-160	160	160
6/12	I _N Tr	2,9	5,8	7,2	9,2	11,5	14,4	18,2	23,1	28,9	36,4	46,2	57,7
	with NH gG	10	16	16	20-25	25-31,5	31,5-40	40-50	50-63	63-80	80-100	100-125	100-125
10	with NH gTr		16	16	20-25	25-31,5	31,5-40	40-50	50-63	63-80	80-100	100-125	100-160
10/24	I _N Tr	1,5	2,9	3,6	4,6	5,8	7,2	9,1	11,5	14,4	18,2	23,1	28,9
	with NH gG	6,3	10	10	16	16	16-25	25	25-31,5	31,5-40	40-50	63	63
20	with NH gTr		10	10	16	16	16-25	25	25-31,5	31,5-40	40-50	63	63-80
20/36	I _N Tr	1,0	1,9	2,4	3,1	3,8	4,8	6,1	7,7	9,6	12,1	15,4	19,2
	with NH gG		6,3	10	10	16	16-20	20-25	25	25-31,5	31,5-40	40-50	40-50
30	with NH gTr		6,3	10	10	16	16-20	20-25	25	25-31,5	31,5-40	40-50	40-50
0,4	I _N Tr	72	144	180	231	289	361	455	577	722	909	1155	1443
	with NH gG	80	125/160	160/200	200/250	250/315	315/400	400/500	500/630	630/800	800/1000	1000/1250	1250/1600
	with NH gTr		100	125	160	200	250	315	400	500	630	800	1000

Preferred values shown in bold print

I_N Tr = Transformer rated current [A]

Selection table for HV back-up Fuse-Links acc. to VDE 0670 T402 with selectivity to NH gTr with controlled power dissipation (ÜLA)

Table 2

Rated voltage range of the fuse-link [kV]	Mode of protection, rated current of the fuse-link [A]	Transformer rated output [kVA]											
		Rel. short circuit voltage						u _K = 4 %				u _K = 5 %	
		100	125	160	200	250	315	400	500	630	800	1000	
6/12	I _N Tr	5,8	7,2	9,2	11,5	14,4	18,2	23,1	28,9	36,4	46,2	57,7	
	I _N	16	16	20	25	31,5	40	50	63	80	100	125	
10	P _{warm}	2,4	3,6	4,5	5,3	6,3	8,6	10,7	10,4	13,1	28,5	18,3	
10/24	I _N Tr	2,9	3,6	4,6	5,8	7,2	9,1	11,6	14,4	18,2	23,1	28,9	
	I _N	10	10	16	16	16/25	25	25/31,5	31,5	40	63	63	
20	P _{warm}	3,3	5,0	2,9	4,6	7,2/3,8	6,2	10,2/8,3	13,0	15,2	14,0	22,7	
20/36	I _N Tr	1,9	2,4	3,1	3,8	4,8	6,1	7,7	9,6	12,1	15,4	19,2	
	I _N	6,3	10	10	16	16	20	25	25	31,5	40	40/50	
30	P _{warm}	2,8	3,0	4,7	3,0	4,5	5,6	6,5	10,0	12,3	16,9	27,6/17,3	

I_N Tr = Transformer rated current [A]

I_N = Fuse-link rated current [A]

P_{warm} = Power dissipation of the HV fuse-links for rated current of the transformer [W]

HV Fuse-Links

Selection table acc. to VDE 0670 T4 / IEC 60 282-1

Selection table for EFEN HV general-purpose fuses
VDE 0670 T4 / IEC 60282-1

Table 3

Rated voltage range of the fuse-link [kV]	Mode of protection, fuse-link rated current [A]	Transformer rated output [kVA]											
		Rel. short circuit voltage $u_k = 4\%$										$u_k = 5\%$	
		50	100	125	160	200	250	315	400	500	630	800	1000
3/7,2	$I_{N Tr}$	4,8	9,6	12	15,4	19,2	24,1	30,3	38,5	48,1	60,6	77,1	96,3
	I_N	6,3	16	16	16-25	25	25-40	40	40-50	50	50	-	-
6/12	$I_{N Tr}$	2,9	5,8	7,2	9,2	11,5	14,4	18,2	23,1	28,9	36,4	46,2	57,7
	I_N	6,3	6,3-10	10	16	16	16-25	25	25-40	40	40-50	50	50
10/24	$I_{N Tr}$	1,5	2,9	3,6	4,6	5,8	7,2	9,1	11,5	14,4	18,2	23,1	28,9
	I_N	-	4	4-6,3	6,3	6,3-10	10	16	16	16	25	25	25

$I_{N Tr}$ = Transformer rated current [A]
 I_N = Fuse-link rated current [A]

Benefits of using EFEN HV general-purpose Fuse-Links:

- Reliable breaking of all currents: from the current tripping the fuse element within a time of ≥ 1 hour to the maximum rated breaking current I_1
- No lightning current and low inrush current sensitivity
- Very low power dissipation/low thermal load
- Selectivity to low-voltage circuit breaker possible
- EFEN HV general-purpose fuse-links are available as oil-tight variants for integration into transformers

HV Fuse-Links

Selection table acc. to VDE 0670 T4 and T 402 / IEC 60 282-1

HV Fuse-Links for protection of HV motors

EFEN HV fuse-links are suitable for HV motor protections.

EFEN has the expertise and the right products to protect your motor circuits effectively.

Selection table acc. to T402

Table 4

High-voltage motors	Number of starts per h	Maximum motor starting current (A)							
		Start-up times							
≤ 6 s	≤ 2	130	180	220	290	360	500	680	1100
	4	120	150	190	240	310	450	550	900
	10	110	140	170	220	270	400	490	770
	15	100	130	160	200	250	340	430	670
	30	90	120	140	190	230	320	400	630
6 – 15 s	2	120	160	190	240	310	430	580	670
	4	100	140	170	220	280	400	500	610
	10	90	120	150	200	240	340	430	540
	15	80	110	130	180	220	320	400	480
	30	70	100	120	160	200	290	350	430
15 – 60 s	2	100	130	160	220	270	380	470	590
	4	90	120	150	200	250	340	440	540
	6	80	110	140	190	230	320	400	500
	10	70	100	130	180	220	300	380	470

recommended fuse-link (acc. to IEC 60282-1 and VDE 0670 T4 & 402)

Rated current:	63 A	80 A	100 A	125 A	160 A	2 x 100 A	2 x 125 A	2 x 160 A	
Order number									
Motor rated voltage	3 – 7,2 kV	67110-0630	67110-0800	67110-1000	67110-1250	67110-1600	67110-1000	67110-1250	67110-1600
	6 – 12 kV	67120-0630	67120-0800	67120-1000	67120-1250	67120-1600	67120-1000	67120-1250	67120-1600
	10 – 24 kV	67140-0630	67140-0800	67140-1000					
	20 – 36 kV	67150-0630							

Selection table acc. to T4

Table 5

High-voltage motors	Number of starts per h	Maximum motor starting current (A)							
		Start-up times							
≤ 6 s	≤ 2	120	165	210	320	370	430	900	1050
	4	110	140	180	275	320	380	730	870
	10	100	130	160	240	280	330	620	750
	15	90	120	150	220	260	300	560	650
	30	80	110	135	205	240	280	510	600
6 – 15 s	2	115	145	180	270	320	370	590	640
	4	95	125	160	240	280	340	530	570
	10	85	110	140	210	250	300	480	510
	15	75	100	120	190	230	280	430	450
	30	65	90	110	170	210	250	380	400
15 – 60 s	2	90	120	150	240	280	320	520	550
	4	80	110	140	220	260	290	470	510
	6	75	100	130	205	240	270	430	470
	10	65	90	120	195	230	250	400	440

recommended fuse-link (acc. to IEC 60282-1 and VDE 0670 T4 & 402)

Rated current:	63 A	80 A	100 A	160 A	200 A	2 x 100 A	2 x 160 A	2 x 200 A	
Order number									
Motor rated voltage	3 – 7,2 kV	67210-0630	67210-0800	67210-1000	67210-1600	67210-2000	67210-1000	67210-1600	67210-2000
	6 – 12 kV		67220-0800	67220-1000	67220-1600	67220-2000	67220-1000	67220-1600	67220-2000
	10 – 24 kV		67240-0800	67240-1000					

HV Fuse-Links

Selection table acc. to VDE 0670 T4 / IEC 60 282-1

Selection table for capacitors

Table 6

Rated voltage range of the fuse-link [kV]	3/7,2		6/12		10/24		20/36	
Rated operating voltage of the capacitor [kV]	3		6		10		20	
Capacitor Rated output [kVAr]	I_{cr} [A]	I_r [A] Fuse-link	I_{cr} [A]	I_r [A] Fuse-link	I_{cr} [A]	I_r [A] Fuse-link	I_{cr} [A]	I_r [A] Fuse-link
		Order no.:		Order no.:		Order no.:		Order no.:
50	9,6	20 67110-0200	4,8	10 67220-0100	2,9	6,3 67240-060	1,44	4 67250-0040
100	19,2	40 67110-0400	9,6	20 67220-0200	5,8	10 67240-0100	2,9	6,3 67150-0060
125	24,1	50 67110-0500	12,0	25 67220-0250	7,2	16 67240-0160	3,6	6,3 67150-0060
160	30,8	80 67210-0800	15,4	31,5 67220-0320	9,2	20 67240-0200	4,6	10 67150-0100
200	38,5	100 67210-1000	19,2	50 67220-0500	11,5	25 67240-0250	5,8	16 67150-0160
250	48,1	125 67110-1250	24,1	63 67220-0630	14,4	31,5 67240-0320	7,2	16 67150-0160
315	60,6	160 67210-1600	30,3	80 67220-0800	18,2	50 67240-0500	9,1	20 67150-0200
400	77,0	200 67210-2000	38,5	100 67220-1000	23,1	63 67240-0630	11,5	25 67150-0250
500	96,2	2 x 125 2 x 67110-1250	48,1	125 67220-1250	28,9	80 67240-0800	14,4	31,5 67150-0320
630	121,2	2 x 160 2 x 67210-1600	60,6	160 67220-1600	36,4	100 67240-1000	18,2	40 67150-0400
800	154,0	2 x 200 2 x 67210-2000	77,0	200 67220-2000	46,2	125 67240-1250	23,1	50 67150-0500
1000	192,5	3 x 160 3 x 67210-1600	96,2	2 x 125 2 x 67220-2000	57,7	160 67240-1600	28,9	63 67150-0630

Selection table for capacitor protection with HV back-up fuse-links according to VDE 0670 T4 / IEC 60282-1

When switching on and adjusting capacitors, transient currents similar to a short-circuit are generated. The intensity and duration of these currents depends on the switching angle, natural frequency and inductivity of the grid and on the size of the capacitors. Therefore, HV fuse-links with the next higher voltage level should be selected to protect individual capacitors.

The following table complies with the requirements of IEC 549 "High-voltage fuses for the external protection of shunt power capacitors".

Definitions:

I_{cr} = Capacitor rated current [A]

I_r = Fuse-link rated current [A]

HV Fuse-Links

Selection table acc. to VDE 0670 T4 / IEC 60 282-1

Selection table

HV back-up Fuse-Links acc. to VDE 0670 T4 / IEC 60 282-1 with controlled power dissipation (ÜLA)

Table 7

Rated voltage range of the fuse-link [kV]		6/12		10/24	
Rated operating voltage of the transformer [kV]		10		20	
Rel. short-circuit voltage	Transformer rated output [kVA]	Transformer rated current [A]	Fuse-link rated current [A]	Transformer rated current [A]	Fuse-link rated current [A]
U _k = 4 %	50	2,9	10	1,5	4
	100	5,8	16 – 20	2,9	10
	125	7,2	20 – 25	3,6	10 – 16
	160	9,2	20 – 31,5	4,6	16 – 20
	200	11,5	25 – 40	5,8	16 – 20
	250	14,4	31,5 – 50	7,2	20 – 25
	315	18,2	40 – 63	9,1	20 – 31,5
	400	23,1	40 – 80	11,5	25 – 40
	500	28,9	50 – 100	14,4	31,5 – 50
U _k = 5 %	630	36,4	63 – 100	18,2	40 – 63
	800	46,2	80 – 125	23,1	40 – 63
	1000	57,7	100 – 160	28,9	50 – 80
U _k = 6,25 %	1250	72,2	125 – 200	36,1	63 – 100
	1600	92,4	125 – 200	46,2	80 – 100

Preferred values shown in bold print

Selection table

HV back-up Fuse-Links acc. to VDE 0670 T4 / IEC 60 282-1

Table 8

Rated voltage range of the fuse-link [kV]		3/7,2		6/12		10/24		20/36	
Rated operating voltage of the transformer [kV]		6		10		20		30	
Rel. short circuit voltage	Transformer rated output [kVA]	Transformer rated current [A]	Fuse-link rated current [A]	Transformer rated current [A]	Fuse-link rated current [A]	Transformer rated current [A]	Fuse-link rated current [A]	Transformer rated current [A]	Fuse-link rated current [A]
U _k = 4 %	50	4,8	16 - 20	2,9	10	1,5	4	0,96	2 - 6,3
	100	9,6	20 - 31,5	5,8	16 - 20	2,9	10	1,9	6,3 - 10
	125	12	25 - 40	7,2	20 - 25	3,6	10 - 16	2,4	10
	160	15,4	31,5 - 50	9,2	20 - 31,5	4,6	16 - 20	3,1	10
	200	19,2	40 - 63	11,5	25 - 40	5,8	16 - 20	3,8	10 - 16
	250	24,1	40 - 80	14,4	31,5 - 50	7,2	20 - 25	4,8	16 - 20
	315	30,3	50 - 100	18,2	40 - 63	9,1	20 - 31,5	6,1	16 - 25
	400	38,5	63 - 125	23,1	40 - 80	11,5	25 - 40	7,7	20 - 25
	500	48,1	80 - 160	28,9	50 - 100	14,4	31,5 - 50	9,6	20 - 31,5
	630	60,6	100 - 200	36,4	63 - 100	18,2	40 - 63	12,1	25 - 40
U _k = 5 %	800	77,1	125 - 200	46,2	80 - 125	23,1	40 - 63	15,4	31,5 - 40
	1000	96,3	125 - 160	57,7	100 - 160	28,9	50 - 80	19,2	40 - 50
	1250	120,3	160 - 200	72,2	125 - 200	36,1	63 - 100	24,1	40 - 50
U _k = 6,25 %	1600	154	200	92,4	125 - 200	46,2	80 - 100	30,8	50 - 63

Preferred values shown in bold print

HV Fuse-Links

 HV back-up Fuse-Links acc. to VDE 0670 T402 / IEC 60 282-1
 Electrical data, dimensions, weight

Table 9

Rated voltage range	Rated current	Rated value Maximum breaking current	Rated value Minimum breaking current	Dimensions		Resistance and power dissipation		Operating integral	Weight	PU	Order no.
				e mm	d mm	R _{initial} mΩ	P _{warm} W				
U _N kV	I _N A	I ₁ kA	I ₃ A					A ² s	kg		
3/7,2	6,3	63	21	192	56	256	11	800	1,2	1	67110-0060
3/7,2	10	63	38	192	56	144	19	3.000	1,2	1	67110-0100
3/7,2	16	63	65	192	56	41	13	2.340	1,2	1	67110-0160
3/7,2	20	63	92	192	56	32	14,5	3.900	1,1	1	67110-0200
3/7,2	25	63	110	192	56	25	20	4.900	1,2	1	67110-0250
3/7,2	31,5	63	123	192	56	19	23	7.000	1,2	1	67110-0320
3/7,2	40	63	140	192	56	12,3	30	14.000	1,2	1	67110-0400
3/7,2	50	63	194	192	56	9,3	35	25.300	1,2	1	67110-0500
3/7,2	63	63	220	192	65	7,0	60	61.700	1,4	1	67110-0630
3/7,2	80	63	300	192	65	5,2	85	87.400	1,6	1	67110-0800
3/7,2	100	63	440	192	78	4,0	96	180.000	2,0	1	67110-1000
3/7,2	125	63	440	192	88	2,9	75	440.000	2,4	1	67110-1250
3/7,2	160	63	610	192	88	2,3	120	654.000	2,7	1	67110-1600
6/12	6,3	63	23	292	56	409	19	800	1,7	1	67120-0060
6/12	10	63	35	292	56	231	29	3.000	1,7	1	67120-0100
6/12	16	63	64	292	56	69	21	3.700	1,7	1	67120-0160
6/12	20	63	90	292	56	53	25	4.700	1,6	1	67120-0200
6/12	25	63	95	292	56	41	31	4.920	1,7	1	67120-0250
6/12	31,5	63	110	292	56	31	39	7.000	1,7	1	67120-0320
6/12	40	63	134	292	56	20	46	14.000	1,7	1	67120-0400
6/12	50	63	190	292	56	16,7	62	25.300	1,7	1	67120-0500
6/12	63	63	220	292	65	11,7	60	63.000	2,1	1	67120-0630
6/12	80	63	345	292	65	8,7	82	87.000	2,3	1	67120-0800
6/12	100	63	400	292	78	6,7	96	180.000	3,1	1	67120-1000
6/12	125	63	480	292	88	4,9	117	440.000	3,7	1	67120-1250
6/12	160	63	610	292	88	3,8	175	654.000	1,9	1	67120-1600
10/17,5	6,3	63	20	367	56	530	24	800	1,9	1	67130-0060
10/17,5	10	63	33	367	56	312	34	3.000	1,9	1	67130-0100
10/17,5	16	63	64	367	56	100	34	2.340	1,9	1	67130-0160
10/17,5	20	63	80	367	56	75	42	3.900	1,9	1	67130-0200
10/17,5	25	63	100	367	56	56	50	6.500	1,9	1	67130-0250
10/17,5	31,5	63	110	367	56	46	61	7.000	1,9	1	67130-0320
10/17,5	40	63	134	367	56	32	83	14.200	1,9	1	67130-0400
10/17,5	50	63	180	367	56	22	84	40.000	3,5	1	67130-0500
10/17,5	63	63	240	367	56	16	110	61.700	3,5	1	67130-0630
10/17,5	80	63	320	367	78	13	130	87.400	3,5	1	67130-0800
10/17,5	100	63	420	367	78	9,5	180	170.000	4,4	1	67130-1000
10/24	6,3	63	23	442	56	640	32	800	2,4	1	67140-0060
10/24	10	63	36	442	56	386	48	2.000	2,4	1	67140-0100
10/24	16	63	73	442	56	127	43	2.340	2,4	1	67140-0160
10/24	20	63	91	442	56	97	53	3.900	2,3	1	67140-0200
10/24	25	63	116	442	56	74	64	6.500	2,4	1	67140-0250
10/24	31,5	63	125	442	56	61	85	7.000	2,4	1	67140-0320
10/24	40	63	161	442	56	43	103	14.200	2,3	1	67140-0400
10/24	50	63	230	442	56	35	146	24.200	4,5	1	67140-0500
10/24	63	63	350	442	65	25	163	46.400	3,1	1	67140-0630
10/24	80	63	460	442	65	19	196	104.000	4,5	1	67140-0800
10/24	100	63	420	442	88	14	279	140.000	4,1	1	67140-1000
20/36	6,3	31,5	23	537	56	827	39	600	2,8	1	67150-0060
20/36	10	31,5	34	537	56	463	65	2.000	2,8	1	67150-0100
20/36	16	31,5	70	537	56	210	67	2.340	2,7	1	67150-0160
20/36	20	31,5	100	537	56	165	84	3.900	2,8	1	67150-0200
20/36	25	31,5	110	537	56	125	100	6.500	2,8	1	67150-0250
20/36	31,5	31,5	135	537	56	85	119	7.000	3,7	1	67150-0320
20/36	40	20	205	537	56	65	176	14.200	3,8	1	67150-0400
20/36	50	20	220	537	56	42	183	40.000	6,5	1	67150-0500
20/36	63	20	360	537	65	35	271	61.700	6,8	1	67150-0630

HV Fuse-Links

HV back-up Fuse-Links acc. to VDE 0670 T402 and T402 ÜLA

Time-current characteristics

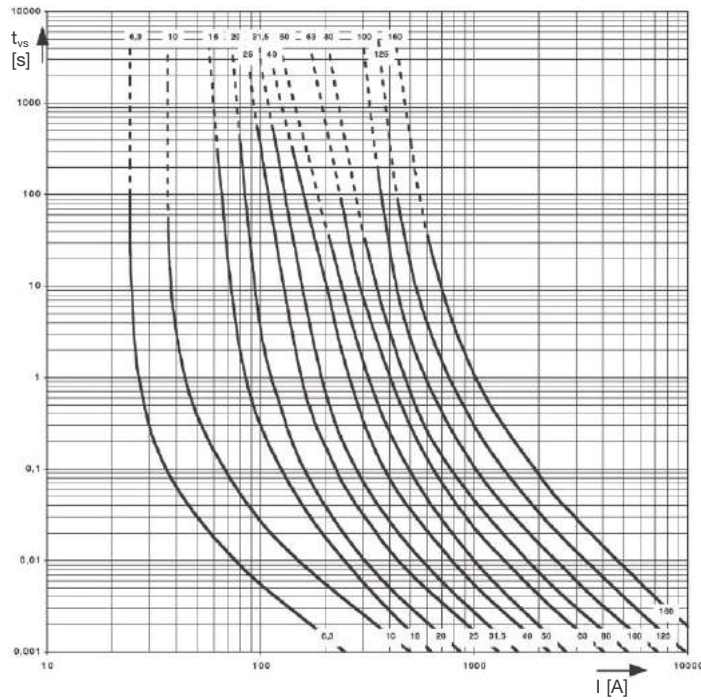


Fig. 10
3/7.2 kV

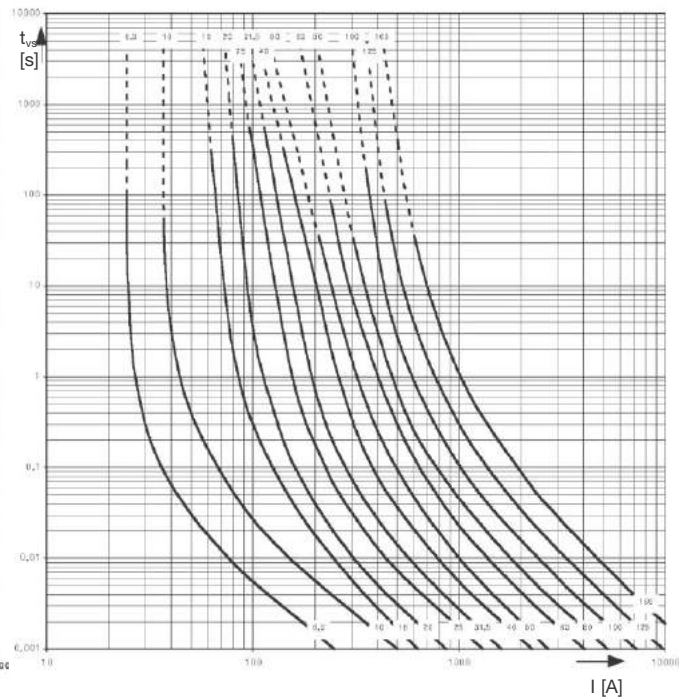


Fig. 11
6/12 kV

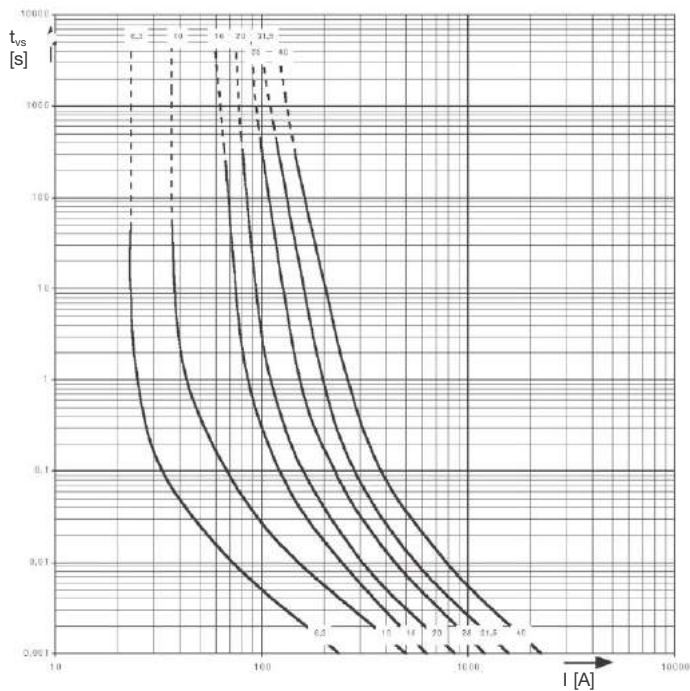


Fig. 12
10/24 kV 6.3 A – 40 A

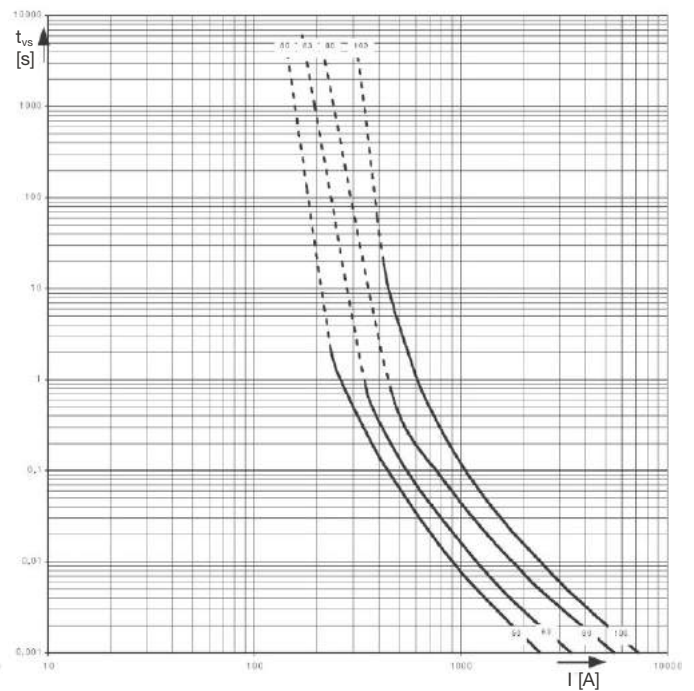


Fig. 13
10/24 kV 50 A – 100 A

HV Fuse-Links

Fuse-Links

HV back-up Fuse-Links acc. to VDE 0670 T402 and T402 ÜLA

Time-current characteristics

Dimensions acc. to DIN 43 625 in mm

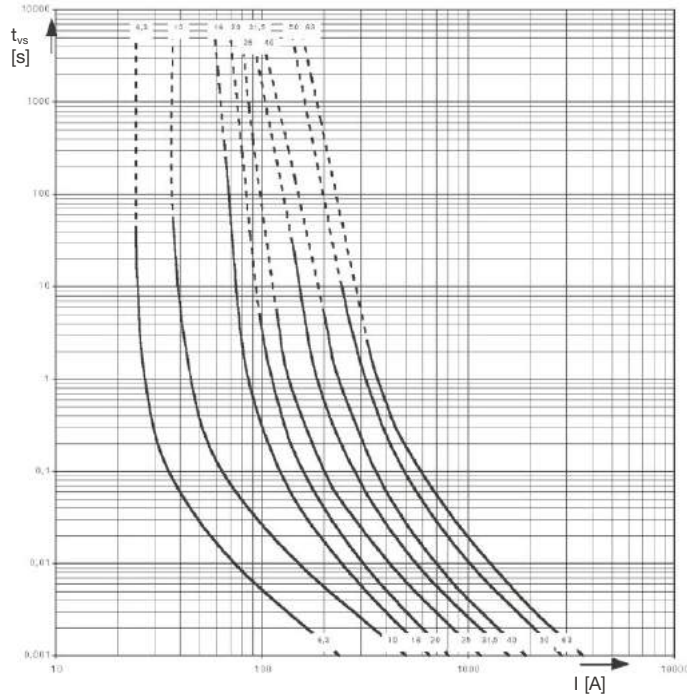
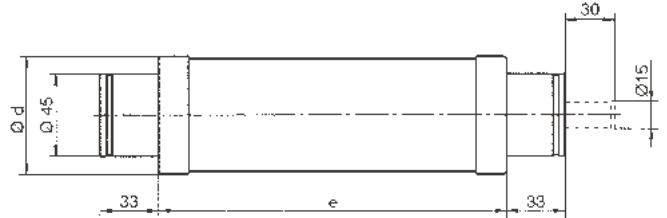


Fig. 14
20/36 kV



HV Fuse-Links

HV back-up Fuse-Links acc. to VDE 0670 T402 / IEC 60 282-1 with controlled power dissipation $\dot{U}LA$

Electrical data, dimensions, weight

Table 10

Rated voltage range	Rated current	Rated value Maximum breaking current	Rated value Minimum breaking current	Dimensions		Resistance and power dissipation		Operating integral	Weight	PU	Order no.
				e mm	d mm	R _{initial} mΩ	P _{warm} * W				
U _N kV	I _N A	I ₁ kA	I ₃ A					A ² s	kg		
6/12	10	63	35	292	56	227	29	3.000	1,6	1	67520-0100
6/12	16	63	64	292	56	66	21	3.700	1,6	1	67520-0160
6/12	20	63	90	292	56	51	25	4.700	1,6	1	67520-0200
6/12	25	63	95	292	56	40	29	4.920	1,6	1	67520-0250
6/12	31,5	63	110	292	56	30	39	7.000	1,6	1	67520-0320
6/12	40	63	134	292	56	20	46	14.000	1,6	1	67520-0400
6/12	50	63	190	292	56	15	62	25.300	1,6	1	67520-0500
6/12	63	63	220	292	65	12	62	63.000	2,1	1	67520-0630
6/12	80	63	345	292	65	8,7	85	87.000	2,1	1	67520-0800
6/12	100	63	500	292	65	8,1	152	140.000	2,1	1	67520-1000
6/12	125	63	480	292	88	4,5	117	430.000	3,7	1	67520-1250
6/12	160	63	610	292	88	4,0	175	670.000	3,7	1	67520-1600
10/24	6,3	63	23	442	56	640	31	800	2,3	1	67541-0060
10/24	10	63	36	442	56	386	48	2.000	2,3	1	67541-0100
10/24	16	63	73	442	56	127	42	2.340	2,3	1	67541-0160
10/24	20	63	91	442	56	97	53	3.900	2,3	1	67541-0200
10/24	25	63	116	442	56	73	60	6.500	2,3	1	67541-0250
10/24	31,5	63	125	442	56	57	84	7.000	2,3	1	67541-0320
10/24	40	63	161	442	56	41	96	14.200	2,3	1	67541-0400
10/24	50	63	230	442	65	35	146	24.200	3,1	1	67541-0500
10/24	63	63	350	442	65	24	163	46.400	3,1	1	67541-0630
10/24	80	63	460	442	65	19	196	104.000	3,1	1	67541-0800
10/24	100	63	420	442	88	14	279	140.000	4,1	1	67541-1000
20/36	6,3	31,5	23	537	56	889	39	600	2,7	1	67550-0060
20/36	10	31,5	34	537	56	529	66	2.000	2,7	1	67550-0100
20/36	16	31,5	70	537	56	190	67	2.340	2,7	1	67550-0160
20/36	20	31,5	100	537	56	153	84	3.900	2,7	1	67550-0200
20/36	25	31,5	110	537	56	118	100	6.500	2,7	1	67550-0250
20/36	31,5	31,5	135	537	65	82	119	7.000	3,7	1	67550-0320
20/36	40	20	205	537	65	63	176	14.200	3,7	1	67550-0400
20/36	50	20	220	537	88	41	183	40.000	6,5	1	67550-0500

* Power dissipation P_{warm} at HV fuse-link rated current; for power dissipation at transformer rated current see table 2

HV Fuse-Links

HV back-up Fuse-Links acc. to VDE 0670 T4 / IEC 60 282-1

Table 11

Electrical data, dimensions, weight

Rated voltage range	Rated current	Rated value Maximum breaking current	Rated value Minimum breaking current	Dimensions		Resistance and power dissipation		Operating integral	Weight	PU	Order no.
				e mm	d mm	R _{initial} mΩ	P _{warm} * W				
U _N kV	I _N A	I ₁ kA	I ₃ A					A2s	kg		
3/7,2	2	63	15	192	56	290	1,8	600	1,1	1	67210-0020
3/7,2	4	63	20	192	56	270	5	800	1,1	1	67210-0040
3/7,2	6,3	63	21	192	56	256	11	800	1,1	1	67110-0060
3/7,2	10	63	38	192	56	144	19	3.000	1,1	1	67110-0100
3/7,2	16	63	65	192	56	41	13	2.340	1,1	1	67110-0160
3/7,2	20	63	92	192	56	32	14,5	3.900	1,1	1	67110-0200
3/7,2	25	63	110	192	56	25	20	4.900	1,1	1	67110-0250
3/7,2	31,5	63	123	192	56	19	23	7.000	1,1	1	67110-0320
3/7,2	40	63	140	192	56	12,3	30	14.000	1,1	1	67110-0400
3/7,2	50	63	194	192	56	9,3	35	25.300	1,1	1	67110-0500
3/7,2	63	63	220	192	65	8,75	60	41.200	1,4	1	67210-0630
3/7,2	80	63	306	192	65	6,3	85	84.000	1,4	1	67210-0800
3/7,2	100	63	363	192	65	5	96	93.600	1,4	1	67210-1000
3/7,2	125	63	440	192	88	2,9	75	440.000	2,4	1	67110-1250
3/7,2	160	63	509	192	88	2,5	120	500.000	2,4	1	67210-1600
3/7,2	200	63	612	192	88	2,3	200	654.000	2,4	1	67210-2000
6/12	1	63	14	292	56	1500	1,6	90	1,6	1	67220-0010
6/12	2	63	16	292	56	510	2	280	1,6	1	67220-0020
6/12	4	63	22	292	56	338	6	500	1,6	1	67220-0040
6/12	6,3	63	30	292	56	190	8	600	1,6	1	67220-0060
6/12	10	63	42	292	56	139	16	1.150	1,6	1	67220-0100
6/12	16	63	54	292	56	107	38	1.290	1,6	1	67220-0160
6/12	20	63	73	292	56	71	38	3.200	1,6	1	67220-0200
6/12	25	63	93	292	56	52	46	5.200	1,6	1	67220-0250
6/12	31,5	63	105	292	56	43	65	7.200	1,6	1	67220-0320
6/12	40	63	125	292	56	23	54	23.300	1,6	1	67220-0400
6/12	50	63	160	292	56	18	70	34.900	1,6	1	67220-0500
6/12	63	63	230	292	56	12	85	58.300	1,6	1	67220-0630
6/12	80	63	350	292	65	10,6	114	90.000	2,1	1	67220-0800
6/12	100	63	500	292	65	8,5	156	140.000	2,1	1	67220-1000
6/12	125	63	480	292	88	4	117	440.000	3,7	1	67220-1250
6/12	160	63	560	292	88	4,3	217	500.000	3,7	1	67220-1600
6/12	200	63	610	292	88	3,8	333	654.000	3,7	1	67220-2000
6/12	250	63	740	292	88	-	-	-	-	1	67220-2500
10/17,5	2	63	15	367	56	610	4	600	1,9	1	67230-0020
10/17,5	4	63	20	367	56	580	15	800	1,9	1	67230-0040
10/17,5	50	63	165	367	65	28	117	20.600	2,6	1	67230-0500
10/17,5	63	63	220	367	65	21	150	41.200	2,6	1	67230-0630
10/17,5	80	63	300	367	65	15	183	84.000	2,6	1	67230-0800
10/17,5	100	63	350	367	65	13	260	93.600	2,6	1	67230-1000
10/24	1	63	14	442	56	2100	2	90	2,3	1	67240-0010
10/24	2	63	16	442	56	800	3	340	2,3	1	67240-0020
10/24	4	63	23	442	56	550	10	450	2,3	1	67240-0040
10/24	6,3	63	30	442	56	300	13	530	2,3	1	67240-0060
10/24	10	63	43	442	56	220	26	940	2,3	1	67240-0100
10/24	16	63	54	442	56	197	73	1.400	2,3	1	67240-0160
10/24	20	63	73	442	56	134	76	3.100	2,3	1	67240-0200
10/24	25	63	93	442	56	96	89	4.500	2,3	1	67240-0250
10/24	31,5	63	105	442	56	79	127	5.900	2,3	1	67240-0320
10/24	40	63	125	442	56	45	114	18.800	2,3	1	67240-0400
10/24	50	63	205	442	56	35	147	33.500	2,3	1	67240-0500
10/24	63	63	350	442	65	29	163	46.400	3,1	1	67240-0630
10/24	80	63	310	442	65	20,5	233	84.000	3,1	1	67240-0800
10/24	100	63	430	442	78	18	400	93.600	4,1	1	67240-1000
10/24	125	40	760	442	88	11	340	350.000	5,9	1	67240-1250
10/24	160	31,5	900	442	88	9,6	515	500.000	5,9	1	67240-1600
10/24	200	31,5	1050	442	88	7,4	740	730.000	5,9	1	67240-2000

HV Fuse-Links

Rated voltage range	Rated current	Rated value Maximum breaking current	Rated value Minimum breaking current	Dimensions		Resistance and power dissipation		Operating integral	Weight	PU	Order no.
U_N kV	I_N A	I_1 kA	I_3 A	e mm	d mm	$R_{initial}$ m Ω	P_{warm}^* W	A2s	kg		
20/36	2	31,5	15	537	56	950	9	600	2,7	1	67250-0020
20/36	4	31,5	20	537	56	900	32	800	2,7	1	67250-0040
20/36	6,3	31,5	23	537	56	827	39	600	2,7	1	67150-0060
20/36	10	31,5	34	537	56	520	65	2.000	2,7	1	67150-0100
20/36	16	31,5	70	537	56	210	67	2.340	2,7	1	67150-0160
20/36	20	31,5	100	537	56	165	84	3.900	2,7	1	67150-0200
20/36	25	31,5	110	537	56	125	100	6.500	2,7	1	67150-0250
20/36	31,5	31,5	135	537	65	85	119	7.000	3,7	1	67150-0320
20/36	40	20	205	537	65	65	176	14.200	3,7	1	67150-0400
20/36	50	20	220	537	88	45	183	40.000	6,5	1	67150-0500
20/36	63	20	360	537	88	35	271	61.700	6,5	1	67150-0630

HV back-up Fuse-Links acc. to VDE 0670 T4 and T4 ÜLA Time-current characteristics

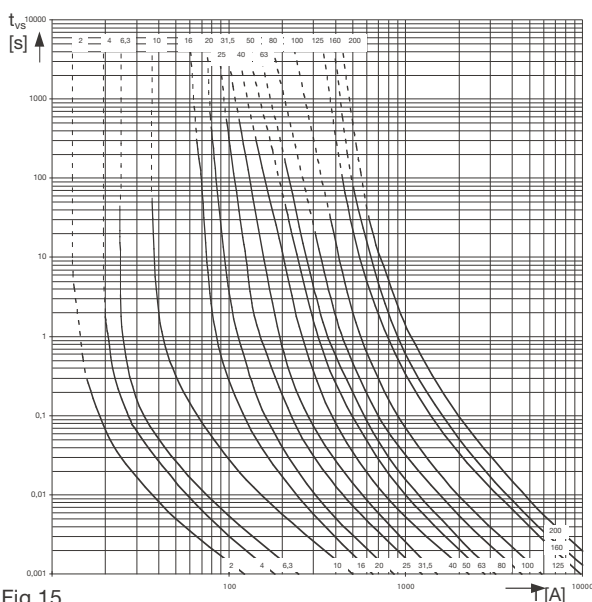


Fig.15
3/7.2 kV

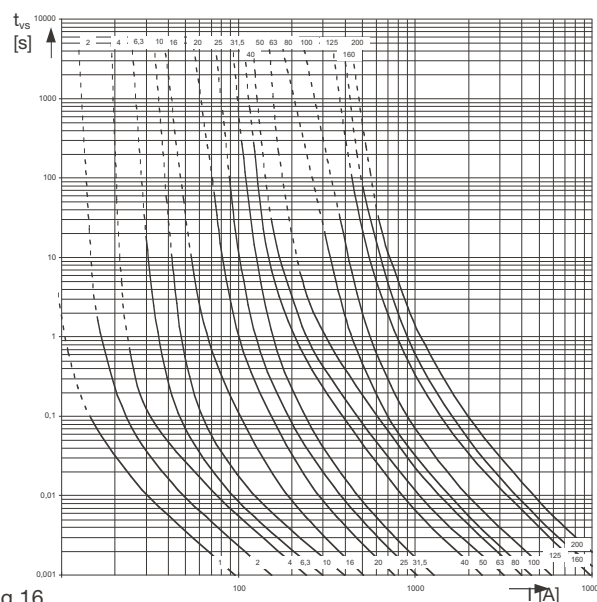


Fig.16
6/12 kV

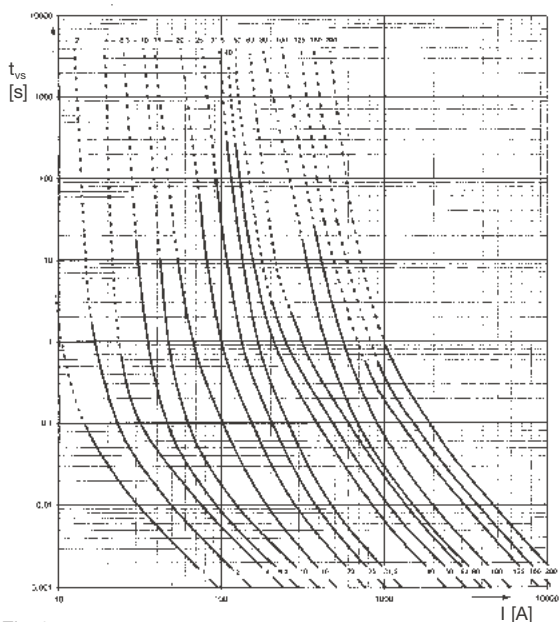


Fig.17
10/24 kV

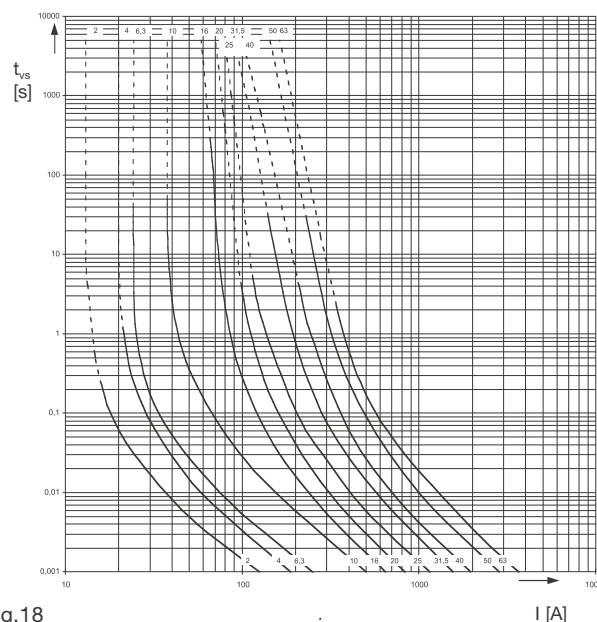


Fig.18
20/36 kV

HV Fuse-Links

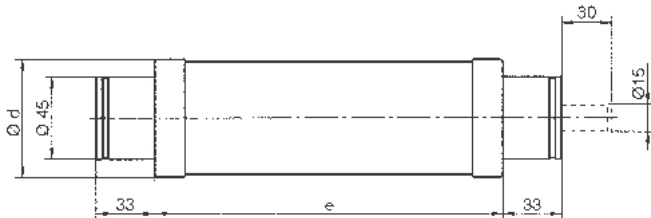
EFEN HV back-up Fuse-Links acc. to VDE 0670 T4 / IEC 60 282-1

Electrical data, dimensions, weight

Rated voltage range	Rated current	Rated value Maximum breaking current	Dimensions		Resistance and power dissipation		Operating integral	Weight	PU	Order no.
			e mm	d mm	R _{initial} mΩ	P _{warm} * W				
U _N kV	I _N A	I ₁ kA					A2s	kg		
6/12	1	63	442	56	1500	1,5	90	2,3	1	67004-0010
6/12	2	63	442	56	510	2	280	2,3	1	67004-0020
6/12	4	63	442	56	338	6	500	2,3	1	67004-0040
6/12	6,3	63	442	56	190	7	600	2,3	1	67004-060
6/12	10	63	442	56	139	16	1.150	2,3	1	67004-0100
6/12	16	63	442	56	107	36	1.290	2,3	1	67004-0160
6/12	20	63	442	56	71	37	3.200	2,3	1	67004-0200
6/12	25	63	442	56	52	44	5.200	2,3	1	67004-0250
6/12	31,5	63	442	56	43	63	7.200	2,3	1	67004-0320
6/12	40	63	442	56	23	50	23.300	2,3	1	67004-0400
6/12	50	63	442	56	18	60	34.900	2,3	1	67004-0500
6/12	63	63	442	56	12	77	58.300	2,3	1	67004-0630
6/12	80	63	442	65	10,6	101	90.000	3,1	1	67004-0800
6/12	100	63	442	65	8,5	140	140.000	3,1	1	67004-1000
6/12	125	63	442	88	4	100	440.000	5,9	1	67004-1250
6/12	160	63	442	88	4	160	500.000	5,9	1	67004-1600
6/12	200*	63	442	88	3,5	248	654.000	5,9	1	67004-2000

* Reduction factor 0.95

Dimensions acc. to DIN 43 625 in mm



HV Fuse-Links

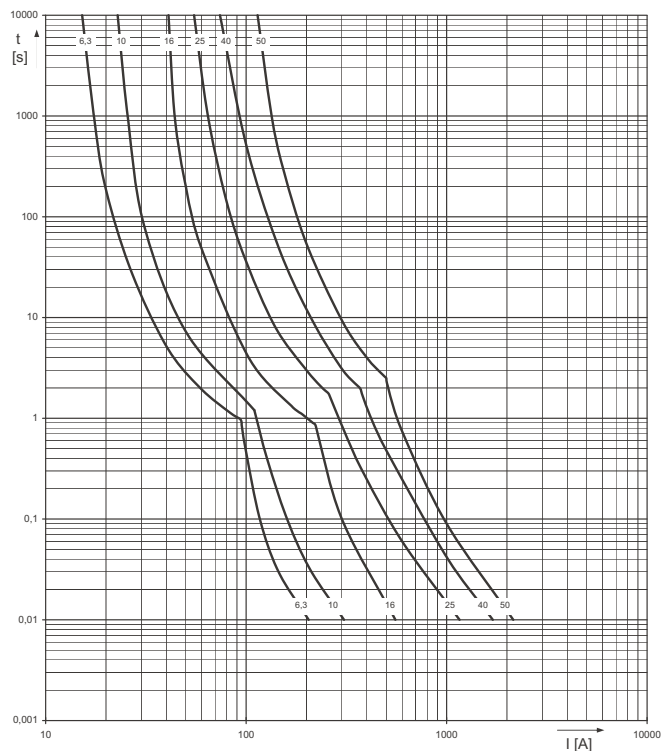
EFEN HV general-purpose Fuse-Links

Table 12

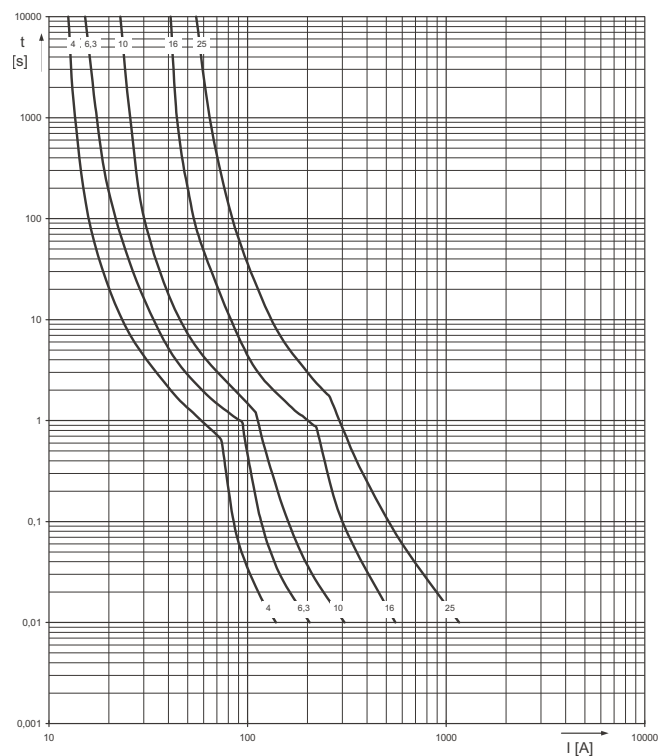
Electrical data, dimensions, weight

Rated voltage range	Rated current	Rated value Maximum breaking current	Dimensions		Resistance and power dissipation		Operating integral	Weight	PU	Order no.
			e mm	d mm	R _{initial} mΩ	P _{warm} * W				
U _N kV	I _N A	I ₁ kA					A2s	kg		
6/12	6,3	40	292	65	132	6	2.000	2,3	1	67420-0060
6/12	10	40	292	65	70	8	3.800	2,3	1	67420-0100
6/12	16	40	292	65	35	10	14.000	2,3	1	67420-0160
6/12	25	40	292	65	21	15	36.000	2,3	1	67420-0250
6/12	40	40	292	78	13	24	110.000	3,1	1	67420-0400
6/12	50	40	292	88	10	31	150.000	3,7	1	67420-0500
10/24	4	40	442	78	280	5	1.800	4,1	1	67440-0040
10/24	6,3	40	442	78	260	11	2.000	4,1	1	67440-0060
10/24	10	40	442	78	138	15	3.600	4,1	1	67440-0100
10/24	16	40	442	78	70	21	14.000	4,1	1	67440-0160
10/24	25	40	442	88	41	31	39.000	4,5	1	67440-0250

Time-current characteristics for HV general-purpose Fuse-Links 6/12 kV 6.3 A to 50 A acc. to IEC 60282-1 / VDE 0670 part 4



Time-current characteristics for HV general-purpose Fuse-Links 10/24 kV 4 A to 25 A acc. to VDE 0670 part 4



HV Accessories

HV fuse base acc. to DIN 43 624 for indoor use

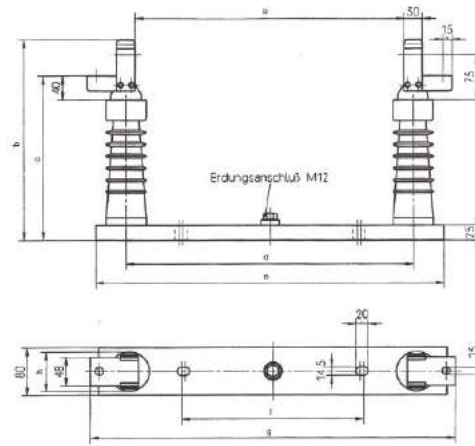
Electrical data, dimensions, weight

Table 13

Order no.	U _N kV	In A	Dimensions in mm								Weight in kg	PU
			a	b	c	d	e	f	g	h		
68007-0010	12	200	293	255	195	323	425	55	453	55	3,8	1
68008-0010	24	200	443	335	275	473	575	300	603	66	4,8	1
68012-0010	36	200	538	495	435	568	700	380	698	108	9,4	1
68021-0010	7,2	200	193	254	194	223	325	55	353	55		



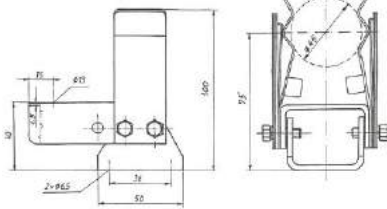
Fig. 19
HV fuse base for indoor use



Fuse-Base contacts, rated current 200 A

Table 14

Terminal bolt M10x35
Countersunk bore for M6



68016-0010

Application	Indoor and outdoor use
Contact spring	E-copper silver-plated
Terminal lug	E-copper tin-plated
Weight	0,42 kg
Order no.	68016-0010

Application	Indoor and outdoor use
Contact spring	E-copper silver-plated
Terminal lug	E-copper tin-plated
Weight	0,35 kg
Order no.	81931-0100

HV Accessories

Adapter for high-voltage Fuse-Links acc. to DIN 43 625
for extending the fuse-link from dimension "e"
292 mm (12 kV) to 442 mm (24 kV)

Adapter

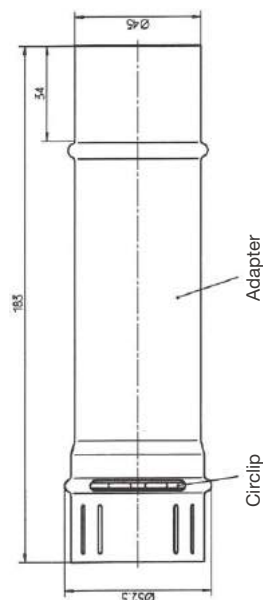


Fig. 20

Wall rack

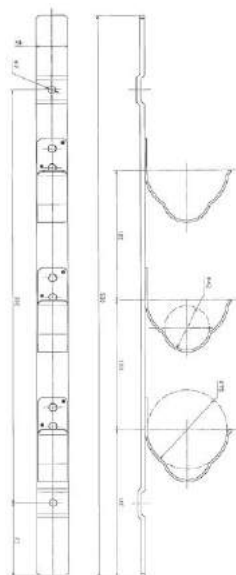


Fig. 21

Designation	Variant	Order no.
Adapter	Surface: silver	68003-0100
Adapter		68003-0200
Wall rack		68004-0010

Test device for tripping

Test device



Fig. 22

Extension
12 kV



Extension
24 kV



After activation of the timer, the striker is pushed in quickly and the fuse is inserted into the fuse box of the switch to be checked. After approx. 100 s, the switching mechanism trips, knocking out the striker. The dimensions of the test fuse-link correspond to those of HV fuse-links with a rated voltage of 7.2 kV. Extensions are available to adapt the test device to fuse-links of a different voltage.

1. Activate the timer using the yellow pin.
2. Push the striker in quickly.
3. If necessary, put on the adapter.
4. Insert the device into the fuse compartment of the switch and close it.
5. Wait for the device to trip.

Safety notice:

Risk of injury while the timer is running and the striker has not tripped.

Stay clear of the tripping area of the test fuse-link.

Do not use test fuse-link under voltage.

Mechanical test fuse-link of type HPS is used to check the tripping of load-break switches. Similar to an HV fuse-link, the test fuse-link consists of a cylindrical fuse body and contains a mechanical tripping mechanism with a timer and striker.

The test fuse-link has been designed for a nominal tripping force of 65 N that is less than the tripping characteristic of the EFEN HV fuse-link. This ensures the reliable tripping of the actual HV fuse-link.

Designation	Dimensions			PU	Order no.
	Diameter in mm	Length in mm	Resulting dimension "e" in mm		
Test device 65 N 192 mm (7.2 kV)	67	190	190	1	68013-0020
Extension to 292 mm (12 kV)	61	100	290	1	68014-0010
Extension to 442 mm (24 kV)	61	250	440	1	68015-0010



Safe Distribution of High Currents

As a specialist for safety interfaces, EFEN offers the optimum portfolio of innovative power distribution components. Our focus is on user-friendly installation, a responsible handling of energy as a resource and also on application-oriented solutions.



NH Fuse-Bases

Comprehensive product range by EFEN for switchgear and distributor manufacturing. The range includes sizes 000 to 3L for all common mounting types and also various application-specific designs. A full range of accessories for many connection versions as well as partition walls, contact and fuse covers is available.

Product overview page 110



NH Fuse-Switches, horizontal design

Perfectly-tuned systems with one to four switching poles and in sizes 000 to 3. In DC applications, the compact TPS fuse-switches and load-break switches save space and costs. A comprehensive range of accessories allows various application-specific solutions to be realized.

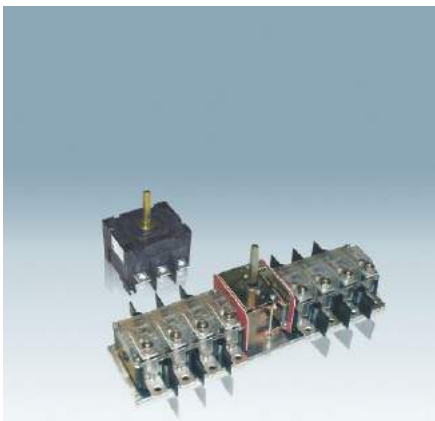
Product overview page 126



NH Fuse-Switches, vertical design and Fuse-Rails

The core competences of EFEN comprise vertical-design NH fuse-switches for safe power distribution. Vertical-design **E³** NH fuse-switches offer excellent electrical properties and many upgrade options for smart power distribution.

Product overview page 180



Switch-fuses, load-changeover switches

Switch-fuses and load-changeover switches by EFEN are characterized by their robust functionality and compact design. The range comprises 3- and 4-pole versions as well as bypass versions with and without fuse-links.

Product overview page 244

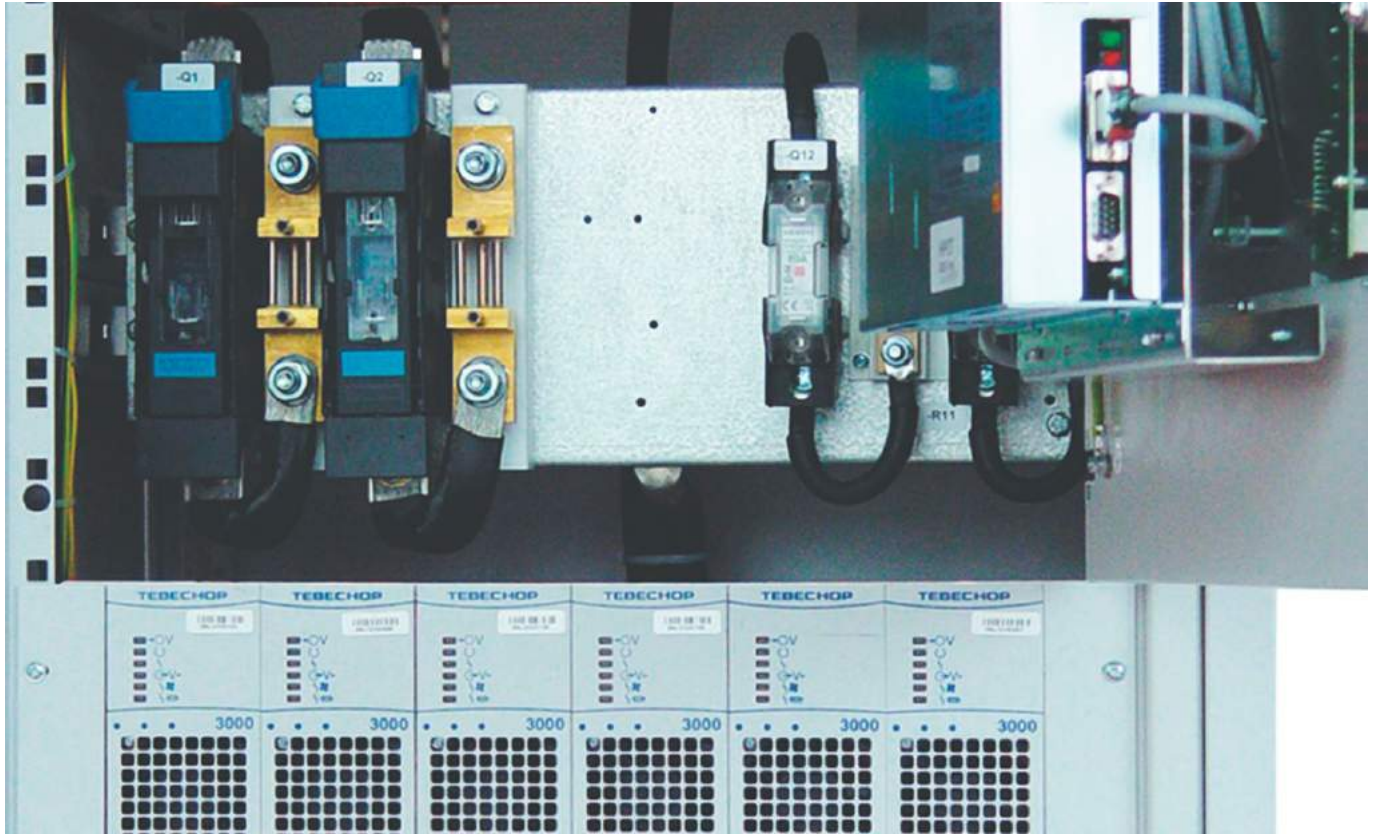


D0 Fuse-Switches, horizontal design

For D01 and D02 fuse-links and 10x38 cylindrical fuse-links. The tried-and-tested products by EFEN are compact and easy to install. Connections are user-friendly the tripped state is clearly indicated.

Product overview page 264

Power distribution components



NH Fuse-Bases

A large and comprehensive product range by EFEN for easy and low-cost realization of distribution systems. The range comprises systems for base-plate, supporting-rail and 60 mm busbar mounting. Various application-specific designs and a full range of accessories for many connection types as well as partition walls, contact and fuse covers complement the offer.

System

EFEN NH fuse-bases represent a simple and easy way of integrating NH fuse-links into power distribution systems. The product range includes sizes 000 to 3L for common installation systems and also various application-specific designs. The portfolio is complemented by a comprehensive range of accessories.

Features

The specific benefit of open NH fuse-bases is their suitability for use with NH fuse-links with high power dissipation such as gR fuse-links used in current transformer or machinery protection. Accessories can be retrofitted to provide protection against accidental contact.



NH Fuse-Bases

NH Fuse-Bases 690 V AC, 1-pole for baseplate and supporting-rail mounting	page 112
NH Fuse-Bases 690 V AC, 3-pole for baseplate and supporting-rail mounting	page 113
NH Fuse-Bases 690 V AC, 3-pole for baseplate and busbar mounting, SILAS series	page 113
NH Fuse-Bases 690 V AC, 1-pole for busbar mounting	page 114
NH Fuse-Bases 1500 V AC, 1-pole for baseplate mounting	page 114
Accessories for NH Fuse-Bases	page 115
Technical data	page 117
Solutions for measurement and power management	page 353

NH Fuse-Bases
up to 1500 V



NH Fuse-Base
3-pole, size 000, for baseplate and
supporting-rail mounting



NH Fuse-Bases
1-pole version



NH Fuse-Base
for busbar mounting



NH Fuse-Bases
3-pole version



Accessories
Wide product range



NH Fuse-Bases
SILAS series



NH Fuse-Bases 690 V AC, 1-pole, for baseplate and supporting-rail mounting acc. to VDE 0636 T201 / IEC 60269-2-1

► Technical data, page 117

Power distribution components



33600-0020

NH Fuse-Bases 690 V AC

Features:

- 1-pole for baseplate mounting
- Without partition walls or contact covers
- All devices include connecting hardware (except V-clamps)

Designation	Size	Amps	PU	Product designation	Order no.
Multiple-use terminal with pressure plates for cables 1.5 – 50 mm ²	00	125	12	NH-UNT 00 125A U3U3	33600-0030
Flat terminal M8 for baseplate mounting, size 00, suitable for TPS fuses up to 250 A	00	160	10	NH-UNT 00 160A G4G4	33120-0010
Flat terminal M8	00	160	12	NH-UNT 00 160A L4L4	33600-0010
Clinch nut M8	00	160	12	NH-UNT 00 160A G4G4	33600-0020
Multiple-use terminal with pressure plates and contact prism for cables 1.5 – 70 mm ²	00	160	12	NH-UNT 00 160A U4U4	33600-0040
V-terminal (not including V-clamps)	00	160	12	NH-UNT 00 160A V2V2	33600-0050
Clamp for 2 x 35 mm ²	00	160	12	NH-UNT 00 160A S9S9	33600-0060
Flat terminal M10	1	250	3	NH-UNT 1 250A L5L5	33627-0010
Clinch nut M10	1	250	3	NH-UNT 1 250A G5G5	33627-0020
V-terminal (not including V-clamps)	1	250	3	NH-UNT 1 250A V2V2	33627-0050
Flat terminal M10	2	400	3	NH-UNT 2 400A L5L5	33632-0010
Clinch nut M10	2	400	3	NH-UNT 2 400A G5G5	33632-0020
V-terminal (not including V-clamps)	2	400	3	NH-UNT 2 400A V2V2	33632-0050
Flat terminal M12	3	630	3	NH-UNT 3 L6L6	33035-0020
Clinch nut M10	3	630	3	NH-UNT 3 G5G5	33036-0020
Flat terminal M8	00	160	12	NH-UNT 00 160A HB L4L4	33602-0010



33602-0020

NH Fuse-Bases 690 V AC

Features:

- 1-pole for supporting-rail mounting
- All devices include connecting hardware (except V-clamps)

Designation	Size	Amps	PU	Product designation	Order no.
Clinch nut M8	00	160	12	NH-UNT 00 160A HB G4G4	33602-0020
Multiple-use terminal with pressure plates for cables 1.5 – 50 mm ²	00	125	12	NH-UNT 00 125A HB U3U3	33602-0030
Multiple-use terminal with pressure plates and contact prism for cables 1.5 – 70 mm ²	00	160	12	NH-UNT 00 160A HB U4U4	33602-0040
V-terminal (not including V-clamps)	00	160	12	NH-UNT 00 160A HB V2V2	33602-0050
Clamp for 2 x 35 mm ²	00	160	12	NH-UNT 00 160A HB S9S9	33602-0060
Flat terminal M8 for supporting-rail mounting, size 00, suitable for TPS fuses up to 250 A	00	160	10	NH-UNT 00 160A HB G4G4	33120-0070

NH Fuse-Bases 690 V AC, 3-pole, for baseplate and supporting-rail mounting acc. to VDE 0636 T201 / IEC 60269-2-1

► Technical data, page 121



33608-0010

NH Fuse-Bases 690 V AC

Features:

- 3-pole for baseplate mounting
- Including 2 partition walls, no covers
- All devices include connecting hardware (except V-clamps)

Designation	Size	Amps	PU	Product designation	Order no.
Multiple-use terminal with pressure plates for cables 1.5 – 50 mm ²	00	125	4	NH-UNT 00 3P 125A U3U3	33608-0030
Flat terminal M8	00	160	4	NH-UNT 00 3P 160A L4L4	33608-0010
Clinch nut M8	00	160	4	NH-UNT 00 3P 160A G4G4	33608-0020
Multiple-use terminal with pressure plates and contact prism for cables 1.5 – 70 mm ²	00	160	4	NH-UNT 00 3P 160A U4U4	33608-0040
V-terminal (not including V-clamps)	00	160	4	NH-UNT 00 3P 160A V2V2	33608-0050
Clamp for 2 x 35 mm ²	00	160	4	NH-UNT 00 3P 160A S9S9	33608-0060
Flat terminal M10	1	250	1	NH-UNT 1 3P 250A L5L5	33631-0010
Clinch nut M10	1	250	1	NH-UNT 1 3P 250A G5G5	33631-0020
V-terminal (not including V-clamps)	1	250	1	NH-UNT 1 3P 250A V2V2	33631-0050
Flat terminal M10	2	400	1	NH-UNT 2 3P 400A L5L5	33633-0010
Clinch nut M10	2	400	1	NH-UNT 2 3P 400A G5G5	33633-0020
V-terminal (not including V-clamps)	2	400	1	NH-UNT 2 3P 400A V2V2	33633-0050
Flat terminal M12	3	630	1	NH-UNT 3 3P L6L6	33037-0010



33125-0010

NH Fuse-Bases 690 V AC, size 000

Features:

- 3-pole for supporting-rail mounting
- Suitable for baseplate mounting with supporting-rail mounting removed

Designation	Size	Amps	PU	Product designation	Order no.
Box terminal 1.5 – 50 mm ² , for supporting-rail mounting	000	160	10	NH-UNT 000 3P 160A HB R4R4	33125-0010

NH Fuse-Bases 690 V AC, 3-pole, for baseplate and busbar mounting, SILAS series

► Technical data, page 125



33300-0000

NH Fuse-Bases, SILAS series, 3-pole for baseplate mounting

Features:

- Compact base for baseplate mounting

Designation	Size	Amps	PU	Product designation	Order no.
Multiple-use terminal (bolt M8)	00	160	1	SILAS NH-UNT 00 3P G4G4	33300-0000
Box clamp 1.5 – 70 mm ²	00	160	1	SILAS NH-UNT 00 3P RR	33301-0000
Multiple-use terminal (bolt M10)	1	250	1	SILAS NH-UNT 1 3P G5G5	33320-0000
Multiple-use terminal (bolt M10)	2	400	1	SILAS NH-UNT 2 3P G5G5	33330-0000



33304-0000

NH Fuse-Bases, SILAS series, 3-pole, for busbar mounting on 60 mm systems with hook contacting

Features:

- Compact base for busbar mounting

Designation	Size	Amps	PU	Product designation	Order no.
Multiple-use terminal (bolt M8)	00	160	1	SILAS NH-UNT 00 SB 3P G4	33304-0000
Box clamp 1.5 – 70 mm ²	00	160	1	SILAS NH-UNT 00 SB 3P R	33305-0000
Multiple-use terminal (bolt M10)	1	250	1	SILAS NH-UNT 1 SB 60 3P G5	33321-0000
Multiple-use terminal (bolt M10)	2	400	1	SILAS NH-UNT 2 SB 60 3P G5	33331-0000

NH Fuse-Bases 690 V AC, 1-pole, for busbar mounting acc. to VDE 0636 T201 / IEC 60269-2-1

► Technical data, page 120



33003-0020

NH Fuse-Bases 690 V AC

Features:

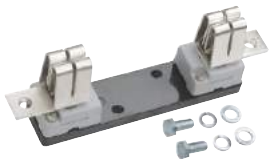
- 1-pole, for contacting on busbar systems according to DIN 43870

Designation	Size	Amps	PU	Product designation	Order no.
Flat terminal M8, clamp mounting	00	160	10	NH-UNT 00 160A SB F1L4	33001-0020
Flat terminal M8 for busbar mounting, size 00, suitable for TPS fuses up to 250 A	00	160	10	A NH-UNT 00 160A SB F2L4	33003-0020
Flat terminal M12, screw mounting	1-3	250-630	3	NH-UNT 1-3 SB SH L6	33135-0010

Power distribution components

NH Fuse-Bases 1500 V AC, 1-pole for baseplate mounting

► Technical data, page 120



33039-0010

NH Fuse-Bases 1500 V AC, 1-pole, acc. to VDE 0636 T201 / IEC 60269-2-1

Features:

- NH fuse-bases, 1-pole, for use with NH fuse-links of size 3L

Designation	Size	PU	Product designation	Order no.
Clinch nut M12, without microswitch	3L	1	NH-UNT 3L 1500V G6G6	33039-0010
Clinch nut M12, with microswitch	3L	1	A NH-UNT 3L 1500V MS G6G6	33041-0010

Accessories for NH Fuse-Bases 690 V AC acc. to VDE 0636 T201 / IEC 60269-2-1

► Technical data, on demand



90181-0100

Partition wall

Features:

- For NH fuse-bases (series 336 ...)

Designation	Size	PU	Product designation	Order no.
Partition wall, clamp contacting, for series 33003 ...	00	1	A TRENNWAND	30744-0100
Partition wall, hook contacting, for series 33003 ...	00	1	A TRENNWAND GR.00	30780-0100
Partition wall, short, 130 mm	00	1	TRENNWAND UNT 00 KURZ 130MM	90181-0100
Partition wall, long, V-clamp, 152 mm	00	1	TRENNWAND UNT 00 LANG V2 152MM	90181-0200
Partition wall, 210 mm	1	1	TRENNWAND UNT 1 210MM	90184-0100
Partition wall, 240 mm	2	1	TRENNWAND UNT 2 240MM	90184-0200
Partition wall, for series 33135, 33035, 33036, 33037	3	1	TRENNWAND GR.3	30846-0100



90182-0100

Contact covers

Features:

- For NH fuse-bases (series 336 ...)

Designation	Size	PU	Product designation	Order no.
Contact cover, for series 33003 ...	00	1	SCHUTZHAUBE GR.00	31009-0100
Contact cover, short	00	1	KONTAKTABDECKUNG UNT 00 KURZ	90182-0100
Contact cover, long, for V-clamp	00	1	KONTAKTABDECKUNG UNT 00 LANG V2	90182-0200
Contact cover	1	1	KONTAKTABDECKUNG UNT 1	90185-0100
Contact cover	2	1	KONTAKTABDECKUNG UNT 2	90185-0200



90186-0100

Fuse cover

Features:

- For NH fuse-bases (series 336 ...)

Designation	Size	PU	Product designation	Order no.
Fuse cover	00	1	SICHERUNGSABDECKUNG UNT 00	90183-0100
Fuse cover	1-2	1	SICHERUNGSABDECKUNG UNT 1-2	90186-0100
Contact cover with microswitch for fuse-monitoring of NH Fuse-Bases of series 33120...	00	1	KONTAKTABDECKUNGEN SU FÜR UNT GR.00	36889-0010



85246-0100

V-clamp

Features:

- For NH fuse-bases (series 336 ...)

Designation	Size	Amps	PU	Product designation	Order no.
V-clamp 35 – 70 mm ²	00	160	1	KLEMME 35-70 SM	85246-0100
V-clamp up to 240 mm ²	1-3	630	1	Klemme V2 MD 240sm/300rm	85542-0100



33680-0010

Neutral bar

Designation	Size	Amps	PU	Product designation	Order no.
Neutral bar with flat terminal M8	00	160	1	NULLSCHIENE 00 L4L4	33680-0010

Accessories for NH Fuse-Bases, SILAS series

► Technical data, on demand



36996-0010

Fuse cover for SILAS series

Designation	Size	PU	Product designation	Order no.
Fuse cover size 00	00	1	SICHERUNGSABDECKUNG NH-UNT GR.00 SILAS	36996-0010



36934-0010

Pressure plate for multiple-use terminal, SILAS series

Features:

- Simple addition for the connection of Cu conductors, se, sm and laminated copper (size 1 and 2 only)
- 1 kit = 3 pieces

Designation	Size	Amps	PU	Product designation	Order no.
6 - 50 mm ²	00	160	3	1SATZ (3STÜCK) DRUCKSTÜCKE GR.00 SILAS	36934-0010
70 - 150 mm ²	1	250	3	1SATZ (3STÜCK) DRUCKSTÜCKE GR.1 SILAS	36936-0010
120 - 240 mm ²	2	400	3	1SATZ (3STÜCK) DRUCKSTÜCKE GR.2 SILAS	36997-0010



36975-0010

Pressure plate with contact prism for multiple-use terminal, SILAS series

Features:

- Simple addition for the connection of Cu and Al conductors
- 1 kit = 3 pieces

Designation	Size	Amps	PU	Product designation	Order no.
6 - 70 mm ²	00	160	3	1SATZ (3STÜCK) KONTAKTPRISMA GR.00 SILAS	36975-0010
70 - 150 mm ²	1	250	3	1SATZ (3STÜCK) KONTAKTPRISMEN GR.1 SILAS	36942-0010
120 - 240 mm ²	2	400	3	1SATZ (3STÜCK) KONTAKTPRISMEN GR.2 SILAS	36943-0010
150 - 300 mm ²	3	630	3	1SATZ (3STÜCK) DRUCKSTÜCKE GR.3 SILAS	36991-0010



36982-0010

Pressure plates with contact prism for 2 conductors, multiple-use terminal, SILAS series

Features:

- Simple addition for the connection of 2 Cu and Al conductors
- 1 kit = 3 pieces

Designation	Size	Amps	PU	Product designation	Order no.
2 x 35 - 70 mm ²	1	250	3	1SATZ (3ST) KONTAKTPR.2LEITER GR.1 SILAS	36982-0010
2 x 70 - 120 mm ²	2	400	3	1SATZ (3ST) KONTAKTPR.2LEITER GR.2 SILAS	36983-0010
2 x 150 - 185 mm ²	3	630	3	1SATZ (3ST) KONTAKTPR.2LEITER GR.3 SILAS	36984-0010



36937-0010

Supporting-rail mounting

Features:

- For 2 supporting rails with a spacing of 125 or 150 mm

Designation	Size	PU	Product designation	Order no.
Quick-mount kit for 2 supporting rails with a spacing of 125 or 150 mm	00 - 1	1	SCHNELLEBFESTIGUNG 125/150 GR.00/1 SILAS	36937-0010



36994-0010

Box clamp

Features:

- For the simple conversion from multiple-use terminal to box clamp
- 1 kit = 3 pieces

Designation	Size	Amps	PU	Product designation	Order no.
35 - 150 mm ²	1	250	3	1SATZ (3STÜCK) RAHMENKLEMME GR.1 SILAS	36992-0010
95 - 300 mm ²	2 - 3	630	3	1SATZ (3STÜCK) RAHMENKLEMME GR.2+3 SILAS	36994-0010

NH Fuse-Bases 690 V AC

Product overview of standard Fuse-Bases

Size	00	1	2	3
Rated current (A)	125/160	250	400	630
1-pole, baseplate mounting	•	•	•	•
3-pole, baseplate mounting	•	•	•	•
Busbar supports, size 00 – 3	•	•	•	•
Supporting-rail mounting	•			

Product overview of special designs

Size	000	3L
1-pole, 1500 V AC		•
3-pole, supporting-rail mounting	•	

Product overview of EFEN SILAS Fuse-Bases, 3-pole

Size	00	1	2
Rated current (A)	125/160	250	400
Baseplate mounting	•	•	•
Busbar mounting	•	•	•

Technical data acc. to VDE 0636 T201 / IEC 60269-2-1

Suitable for NH fuse-links according to DIN 43620/1	Size	000	00	1	2	3	3L
Rated operating current I_N	A	125	160	250	400	630	630
Rated voltage U_N	V	690					
Current type and rated frequency		AC 50Hz					
Rated isolation voltage U_i	V	690					
r.m.s value of the power-frequency test voltage for 60s	V	2500					
Maximum cut-out current / short-circuit withstand-current (when protected by NH fuse-links)	kA	25	25	38	48	70	25
Permissible ambient temperature	°C	-25 to +55					
Degree of protection acc. to DIN/EN 60529 / VDE 0470 T1	IP	IP 3x	IP 00				
Maximum permissible power dissipation of the NH fuse-link	W	12	12	32	45	60	132
Weight without fuse-links, 1-pole	kg	-	0,14	0,34	0,41	0,62	1,6
Weight without fuse-links, 3-pole	kg	0,33	0,52	1,03	1,22	-	-
Weight without fuse-links, 3-pole, SILAS series	kg	-	0,50	1,4	2,10	-	-

Tightening torques for terminals and busbar mounting

Size	NH 000	NH 00	NH 1	NH 2	NH 3
Type of terminal	Tightening torques (Nm)				
Multiple-use terminal (screw terminal)	-	12	20	20	20
Pressure plates with bolts	-	3	6	8	8
Pressure plates with bolts and contact prisms	-	3	6	8	8
Box clamp	-	6	6	8	8
Busbar contacting	4,5	4,5	12	20	20

NH Fuse-Bases 1-pole for baseplate mounting / supporting-rail mounting

NH Fuse-Bases, size 00 – 3, for baseplate mounting

Description	Size	Amps I _n	Designation	PU	Weight in kg	Order no.
Multiple-use terminal with pressure plates for cable 1.5 – 50 mm ²	00	125	NH-UNT 00 125A U3U3	12	0,14	33600-0030
Flat terminal, bolt and nut M8	00	160	NH-UNT 00 160A L4L4	12	0,14	33600-0010
Clinch nut and bolt M8	00	160	NH-UNT 00 160A G4G4	12	0,14	33600-0020
Multiple-use terminal with pressure plates and contact prism for cable 1.5 – 70 mm ²	00	160	NH-UNT 00 160A U4U4	12	0,14	33600-0040
V-terminal (not including V-clamps)	00	160	NH-UNT 00 160A V2V2	3	0,14	33600-0050
Clamp for 2 x 35 mm ²	00	160	NH-UNT 00 160A S9S9	3	0,14	33600-0060
Neutral bar	00	160	NULLSCHIENE 00L4L4	10	0,120	33680-0010
Flat terminal M8	00	160	NH-UNT 00 160A G4G4	10	0,120	33120-0010
Flat terminal, bolt and nut M10	1	250	NH-UNT 1 250A L5L5	3	0,34	33627-0010
Clinch nut and bolt M10	1	250	NH-UNT 1 250A G5G5	3	0,34	33627-0020
V-terminal (not including V-clamps)	1	250	NH-UNT 1 250A V2V2	3	0,34	33627-0050
Flat terminal, bolt and nut M10	2	400	NH-UNT 2 400A L5L5	3	0,41	33632-0010
Clinch nut and bolt M10	2	400	NH-UNT 2 400A G5G5	3	0,41	33632-0020
V-terminal (not including V-clamps)	2	400	NH-UNT 2 400A V2V2	3	0,41	33632-0050
Flat terminal, bolt and nut M12	3	630	NH-UNT 3 L6L6	3	0,62	33035-0020
with clinch nut M10	3	630	NH-UNT 3 G5G5	3	0,62	33036-0020

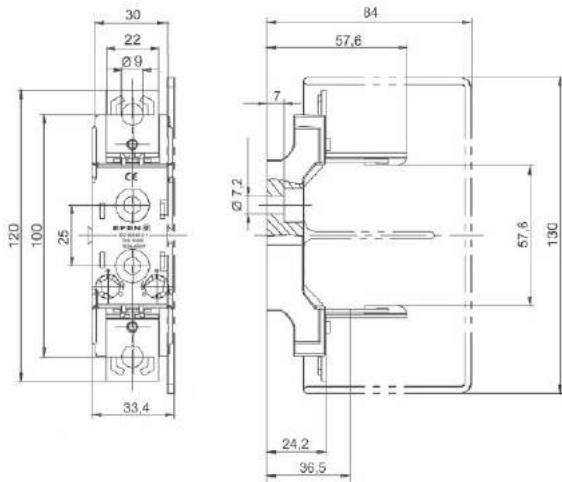
NH Fuse-Bases size 00, for supporting-rail mounting

Description	Size	Amps I _n	Designation	PU	Weight in kg	Order no.
Flat terminal, bolt and nut M8	00	160	NH-UNT 00 160A HB L4L4	12	0,14	33602-0010
Clinch nut and bolt M8	00	160	NH-UNT 00 160A HB G4G4	12	0,14	33602-0020
Multiple-use terminal with pressure plates for cables 1.5 – 50 mm ²	00	125	NH-UNT 00 125A HB U3U3	12	0,14	33602-0030
Multiple-use terminal with pressure plates and contact prism for cables 1.5 – 70 mm ²	00	160	NH-UNT 00 160A HB U4U4	12	0,14	33602-0040
V-terminal (not including V-clamps)	00	160	NH-UNT 00 160A HB V2V2	12	0,14	33602-0050
Clamp for 2 x 35 mm ²	00	160	NH-UNT 00 160A HB S9S9	12	0,14	33602-0060
Flat terminal M8	00	160	NH-Unt 00 160 A HB G4G4	10	0,130	33120-0070

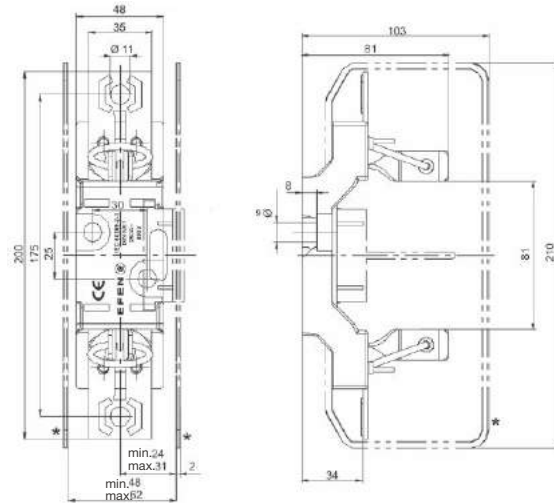
NH Fuse-Bases

1-pole for baseplate mounting / supporting-rail mounting

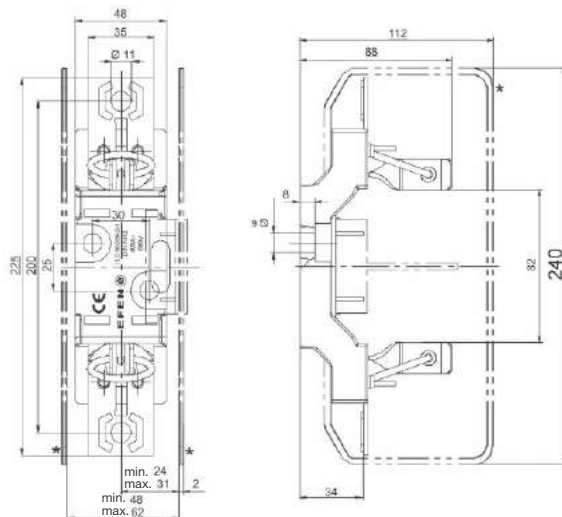
Size 00, series 336....



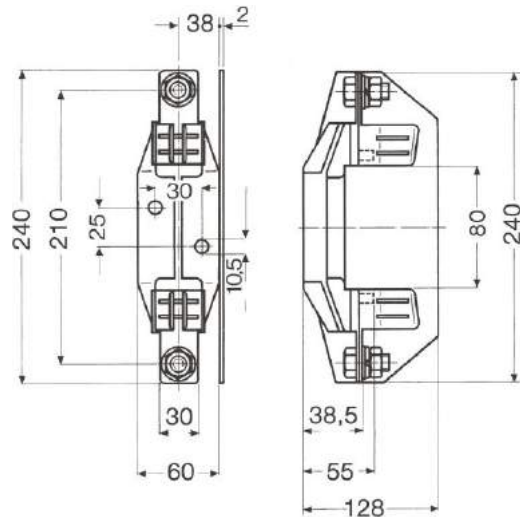
Size 1, series 336....



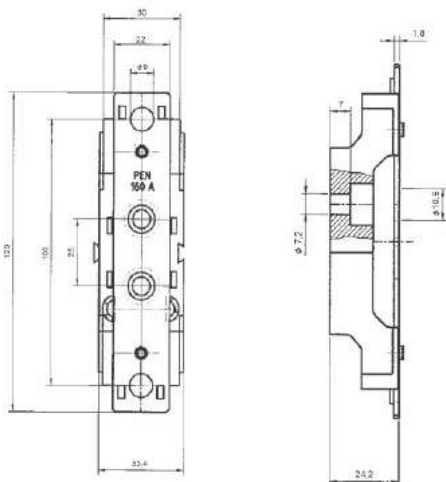
Size 2, series 336....



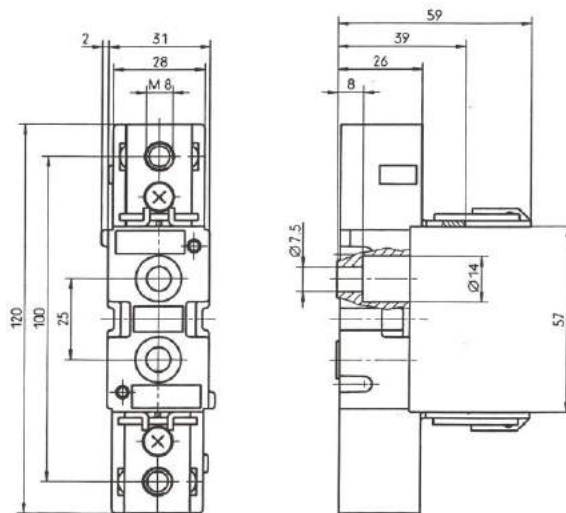
Size 3, series 3303....



Neutral bar, size 00



NH Fuse-Base, size 00 33120....



Power distribution components

NH Fuse-Bases 1-pole for busbar mounting / baseplate mounting

NH Fuse-Bases size 00 – 3, for busbar mounting acc. to DIN 43870

Description	Size	Amps I _n	Designation	PU	Weight in kg	Order no.
Flat terminal M8, clamp mounting	00	160	NH-UNT 00 160A SB F2L4	10	0,14	33003-0020
Flat terminal M8, hook-mounting	00	160	NH-UNT 00 160A SB F1L4	10	0,14	33001-0020
Flat terminal M12, contact cover included	1-3	250-630	NH-UNT 1-3 SB SH L6	3	0,14	33135-0010

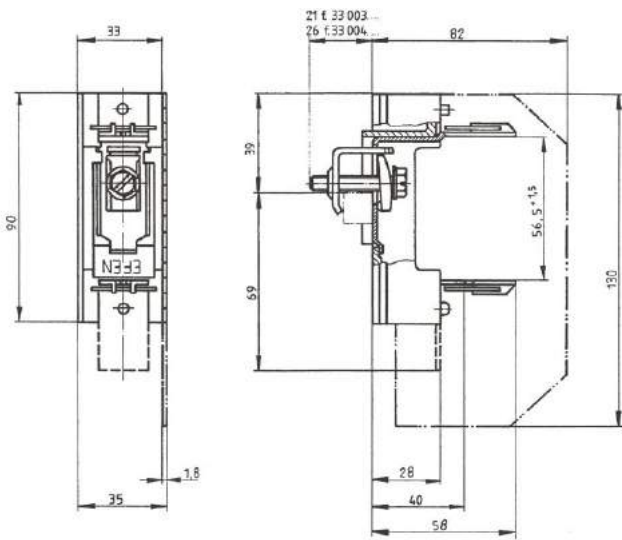
NH Fuse-Bases, size 3L, 1500 V AC, for baseplate mounting

Description	Size	Amps I _n	Designation	PU	Weight in kg	Order no.
Clinch nut M12, without microswitch	3L	425	NH-UNT 3L 1500 V G6 G6	1	1,24	33039-0010
Clinch nut M12, with microswitch	3L	425	NH-UNT 3L 1500 V Ms G6 G6	1	1,24	33041-0010

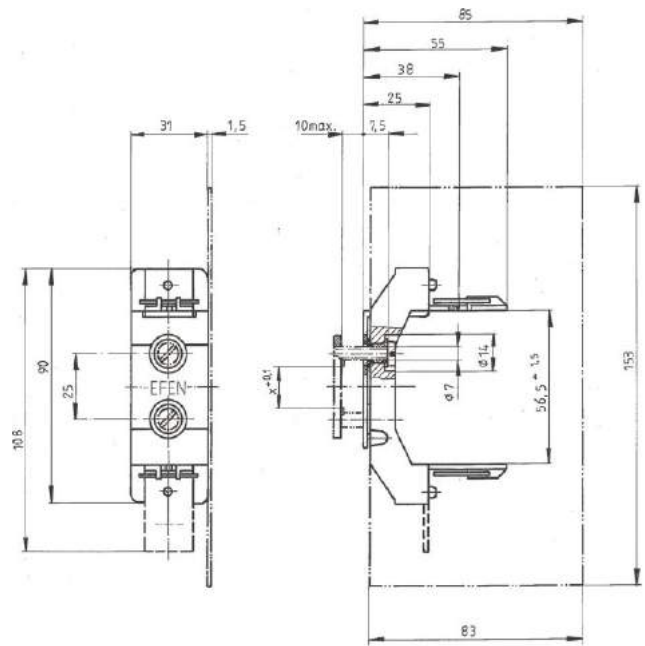
NH Fuse-Bases

1-pole for busbar mounting / baseplate mounting

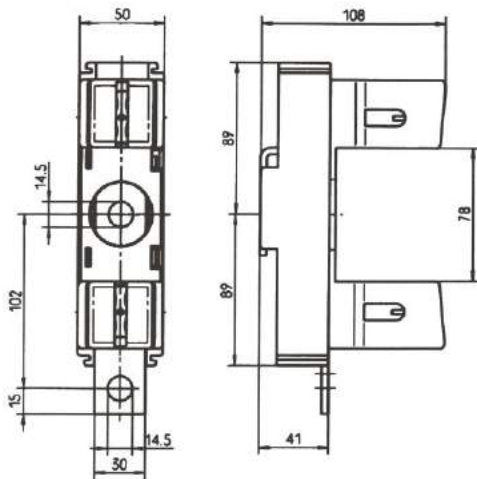
Size 00, 33003-0020



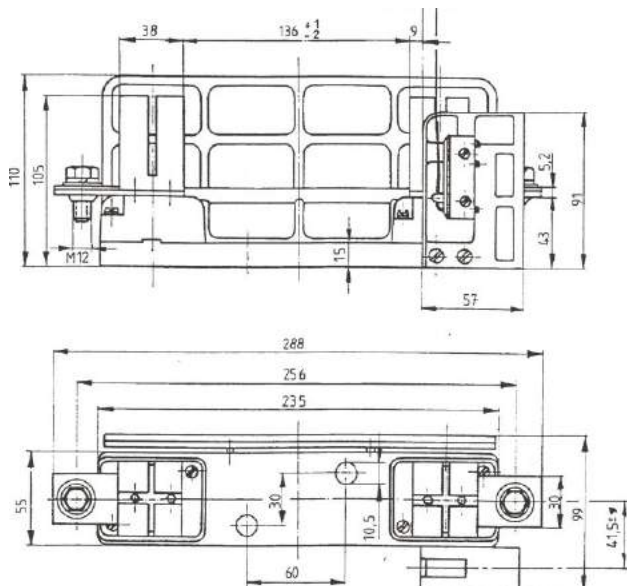
Size 00, 33001-0020



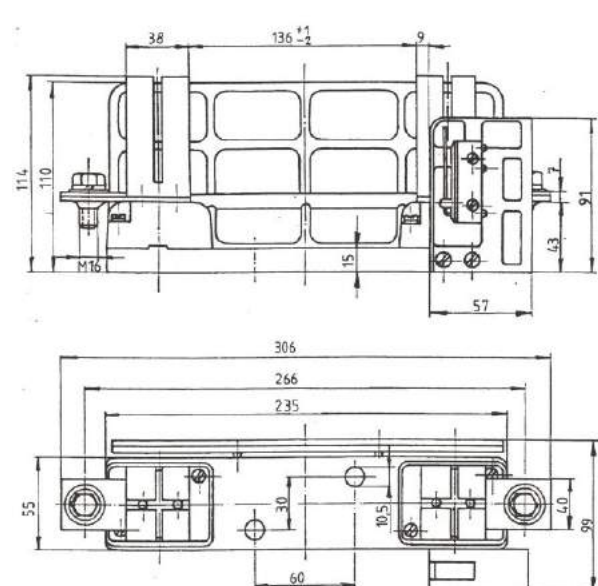
Size 3, 33135-0010



Size 3L clinch nut M12, 425 A, 33039-0010



Clinch nut M16, 630 A, 33041-0010



Power distribution components

NH Fuse-Bases 3-pole for baseplate or supporting-rail mounting

NH Fuse-Bases 690 V AC, 3-pole, for baseplate mounting

Description	Size	Amps I _n	Designation	PU	Weight in kg	Order no.
Flat terminal M8	00	160	NH-UNT 00 3P 160A L4L4	4	0,52	33608-0010
Clinch nut M8	00	160	NH-UNT 00 3P 160A G4G4	4	0,52	33608-0020
Multiple-use terminal with pressure plates for cables 1.5 – 50 mm ²	00	125	NH-UNT 00 3P 125A U3U3	4	0,52	33608-0030
Multiple-use terminal with pressure plates and contact prism for cables 1.5 – 70 mm ²	00	160	NH-UNT 00 3P 160A U4U4	4	0,52	33608-0040
V-terminal (not including V-clamps)	00	160	NH-UNT 00 3P 160A V2V2	4	0,52	33608-0050
Clamp for 2 x 35 mm ²	00	160	NH-UNT 00 3P 160A S9S9	4	0,52	33608-0060
Flat terminal M10	1	250	NH-UNT 1 3P 250A L5L5	1	1,03	33631-0010
Clinch nut M10	1	250	NH-UNT 1 3P 250A G5G5	1	1,03	33631-0020
V-terminal (not including V-clamps)	1	250	NH-UNT 1 3P 250A V2V2	1	1,03	33631-0050
Flat terminal M10	2	400	NH-UNT 2 3P 400A L5L5	1	1,22	33633-0010
Clinch nut M10	2	400	NH-UNT 2 3P 400A G5G5	1	1,22	33633-0020
V-terminal (not including V-clamps)	2	400	NH-UNT 2 3P 400A V2V2	1	1,22	33633-0050
Flat terminal M12	3	630	NH-UNT 3 3P L6L6	1	2,57	33037-0010

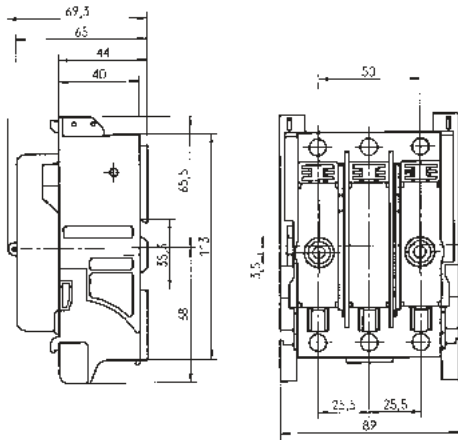
NH Fuse-Bases 690 V AC, 3-pole, for supporting-rail mounting

Description	Size	Amps I _n	Designation	PU	Weight in kg	Order no.
Box clamp 1.5 – 50 mm ²	000	100	NH-UNT 000 3P 160A HB R4R4	10	0,33	33125-0010

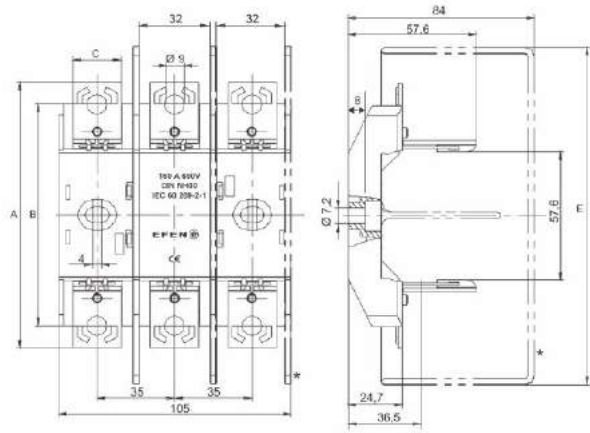
NH Fuse-Bases

3-pole for baseplate or supporting-rail mounting

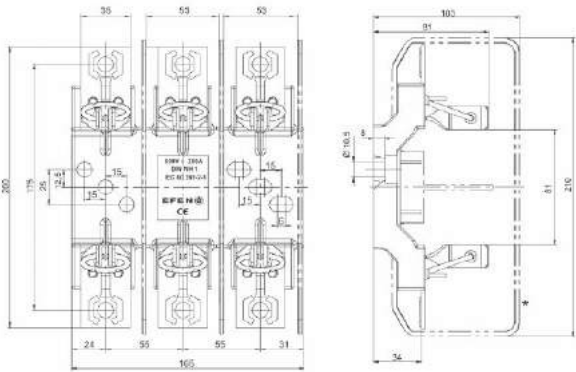
Size 000, 33125-0010



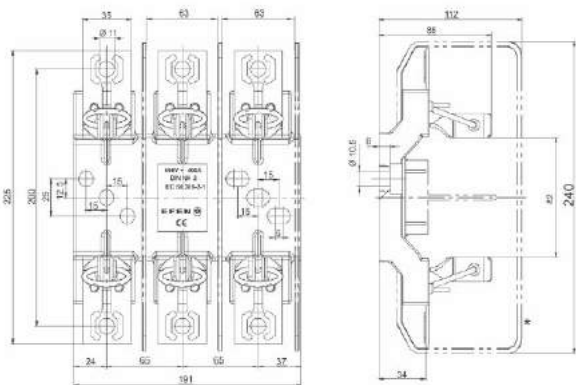
Size 00, series 336...



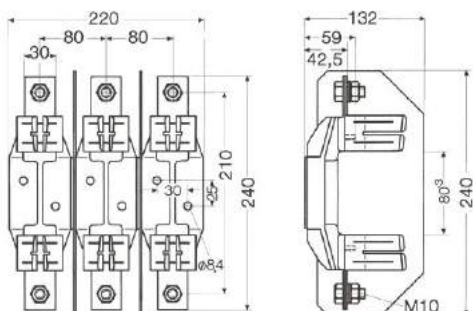
Size 1, series 336...



Size 2, series 336...



Size 3, 33037-0010



NH Fuse-Bases 690 V AC 3-pole, size 00-2, for baseplate and busbar mounting, SILAS series

For baseplate mounting

Description	Size	Amps I _n	Designation	PU	Weight in kg	Order no.
Multiple-use terminal (bolt M8)	00	160	SILAS NH-UNT 00 3P G4G4	1	0,50	33300-0000
Box clamp 2.5 – 95 mm ²	00	160	SILAS NH-UNT 00 3P RR	1	0,60	33301-0000
Multiple-use terminal (bolt M10)	1	250	SILAS NH-UNT 1 3P G5G5	1	1,40	33320-0000
Multiple-use terminal (bolt M10)	2	400	SILAS NH-UNT 2 3P G5G5	1	2,10	33330-0000

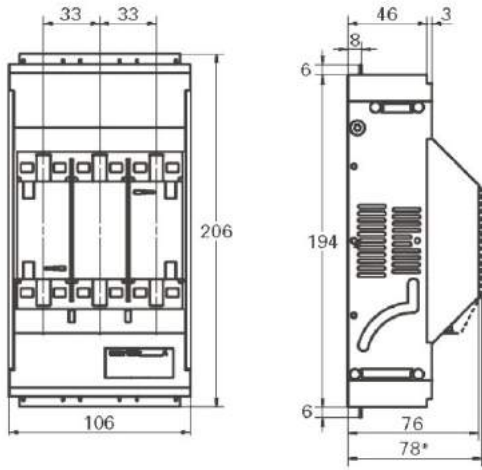
For busbar mounting on 60 mm systems with hook contacting

Description	Size	Amps I _n	Designation	PU	Weight in kg	Order no.
Multiple-use terminal (bolt M8)	00	160	SILAS NH-UNT 00 SB 3P G4	1	0,60	33304-0000
Box clamp 2.5 – 95 mm ²	00	160	SILAS NH-UNT 00 SB 3P R	1	0,60	33305-0000
Multiple-use terminal (bolt M10)	1	250	SILAS NH-UNT 1 SB 60 3P G5	1	1,50	33321-0000
Multiple-use terminal (bolt M10)	2	400	SILAS NH-UNT 2 SB 60 3P G5	1	2,40	33331-0000

NH Fuse-Bases 690 V AC

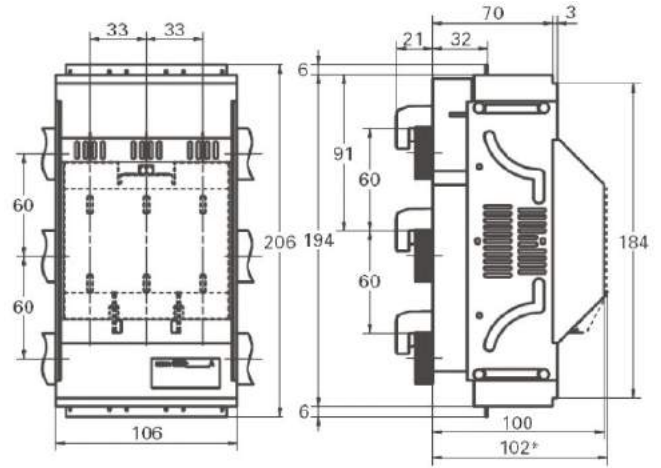
3-pole, size 00-2, for baseplate and busbar mounting, SILAS series

Baseplate mounting, size 00



* = with fuse cover

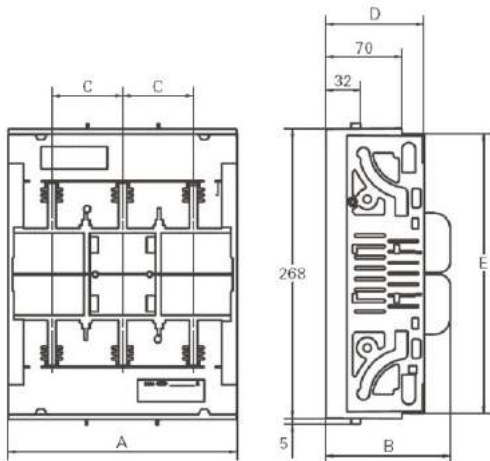
Busbar mounting, size 00



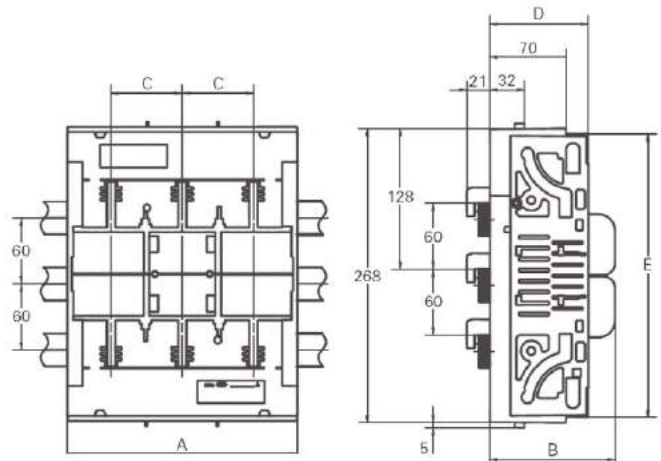
* = with fuse cover

Power distribution components

Baseplate mounting, size 1 and 2



Busbar mounting, size 1 and 2



	A	B	C	D	E
Size 1	184	96	57	70	258
Size 2	210	114	65	90	258



NH Fuse-Switches, horizontal design

The NH Fuse-Switches, horizontal design series by EFEN offers plant designers and switchgear manufacturers a modular system with reliable and easy-to-install switching devices. EFEN horizontal-design NH fuse-switches are nationally and internationally approved and offer innovative solutions to meet customer demands.

System

All devices of sizes 000 to 3 have a uniform installation depth or field cover support and offer perfect protection against accidental contact for ultimate safety and visual appeal of the power distribution system. The wide range of accessories offers a multitude of modification and upgrade options to suit any need.

Features

The SILAS series offers innovative solutions for the application of horizontal-design NH fuse-switches in power distribution systems. Thanks to the matched sizes of the devices this product range is one of the most innovative on the market.



NH Fuse-Switches, horizontal design

NH Fuse-Switches, horizontal design, 1- up to 4-pole, Size 000 bis 4a for baseplate mounting and mounting on supporting rails	page 128
NH Fuse-Switches, horizontal design, 1-pole, Size 00 for busbar mounting	page 129
NH Fuse-Switches, horizontal design, 3-pole, Size 000 up to 3 for busbar mounting	page 130
NH Fuse-Switches, horizontal design, 1-pole for DC Applications up to 550 V	page 133
NH Fuse-Switches, horizontal design, 2- and 4-pole for DC Applications up to 1200 V	page 135
DC Fuse-Switch 10 x 38	page 136
DC-Disconnecter	page 137
Accessories	page 140
Technical Data	page 144
Solutions for measurement and power management	page 338

Easy To Install

Mounting on supporting rails



Optimal protection against accidental contact

Uniform installation depth and field cover support



Revolvable hook

Top or bottom terminals selectable



Compact design

TPS fuse-switch specifically for DC applications up to 80 V



NH Fuse-Switches, horizontal design, 690 V AC, 1-pole to 4-pole switching, for baseplate and supporting-rail mounting

NH fuse-switches, horizontal design, for NH fuse-links acc. to IEC/VDE standards

- Compact design
- Several connection options
- Modular design

► Technical data, page 145



33136-0010

NH Fuse-Switches, horizontal design, 690 V AC, 1-pole, for baseplate mounting

Designation	Size	Amps	PU	Product designation	Order no.
Multiple-use terminal (bolt M8), baseplate mounting	00	160	2	NH-LATR 00IN 1P U5U5	33136-0010

Power distribution components



34076-0000

NH Fuse-Switches, horizontal design, 690 V AC, 3-pole, for baseplate mounting

Designation	Size	Amps	PU	Product designation	Order no.
Box clamp 1.5 – 50 mm ²	000	100	10	NH-LATR 000 R4R4	34050-0000
Box clamp 2.5 – 50 mm ² , narrow version - 53 mm	000	100	1	SILAS NH000 R4R4	34040-0007
Box clamp 2.5 – 95 mm ²	00	160	1	SILAS NH00 R5R5	34076-0000
Multiple-use terminal (bolt M8)	00	160	1	SILAS NH00 U5U5	34077-0000
Multiple-use terminal (bolt M10)	1	250	1	SILAS NH1 U2U2	34170-0000
Box clamp 35 – 150 mm ²	1	250	1	SILAS NH1 RR	34175-0000
Multiple-use terminal (bolt M10)	2	400	1	SILAS NH2 U2U2	34270-0000
Box clamp 95 – 300 mm ²	2	400	1	SILAS NH2 RR	34275-0000
Multiple-use terminal (bolt M10)	3	630	1	SILAS NH3 U2U2	34370-0000
Box clamp 95 – 300 mm ²	3	630	1	SILAS NH3 RR	34375-0000
Screw terminal M16, 1-pole switching	4a	1250	1	NH-LATR 4A EP L8L8	34400-0000
Screw terminal M16, 3-pole switching	4a	1250	1	NH-LATR 4A 3P L8L8	34400-1010
Screw terminal 2 x M12, 1-pole switching	4a	1600	1	NH-LATR 4A EP 1600A L6L6	34400-1040
Screw terminal 2 x M12, 3-pole switching	4a	1600	1	NH-LATR 4A 3P 1600A L6L6	34400-1050



34050-0070

NH Fuse-Switches, horizontal design, 690 V AC, 3-pole, prepared for supporting-rail mounting

Designation	Size	Amps	PU	Product designation	Order no.
Box clamp 1.5 – 50 mm ²	000	100	10	NH-LATR 000 HB R4R4	34050-0070
Multiple-use terminal (bolt M8)	00	160	10	NH-LATR 00IN HB U5U5	34060-0070
Box clamp 1.5 – 50 mm ²	00	125	10	NH-LATR 00IN HB R2R2	34065-0070



34060-4000

NH Fuse-Switches, horizontal design, 690 V AC, 4-pole, for baseplate mounting

Designation	Size	Amps	PU	Product designation	Order no.
Multiple-use terminal (bolt M8)	00	160	1	NH-LATR 00IN 4P U5U5	34060-4000
Multiple-use terminal (bolt M10)	1	250	1	NH-LATR 1IN 4P U2U2	34162-4000
Multiple-use terminal (bolt M10)	2	400	1	NH-LATR 2IN 4P U2U2	34262-4000
Multiple-use terminal (bolt M10)	3	630	1	NH-LATR 3IN 4P U2U2	34362-4000
Screw terminal M16, 1-pole switching	4a	1250	1	NH-LATR 4A 4P EP L8L8	34440-0000

NH Fuse-Switches, horizontal design, 1 to 4-pole, 690 V AC and 1500 V AC, for baseplate and busbar mounting

NH fuse-switches, horizontal design, for NH fuse-links acc. to IEC/VDE standards

- Compact design
- Several connection options
- Modular design

► Technical data, page 167



34060-4010

NH Fuse-Switches, horizontal design, with pre-connecting solid-link on right-hand side, for baseplate mounting

Designation	Size	Amps	PU	Product designation	Order no.
Multiple-use terminal (bolt M8)	00	160	1	NH-Latr 00IN 4p Vr U5U5	34060-4010
Multiple-use terminal (bolt M10)	1	250	1	NH-Latr 1IN 4p Vr U2U2	34162-4010
Multiple-use terminal (bolt M10)	2	400	1	NH-LATR 2IN 4P VR U2U2	34262-4010
Multiple-use terminal (bolt M10)	1	630	1	NH-Latr 3IN 4p Vr U2U2	34362-4010



34360-1000

NH Fuse-Switches, horizontal design, 690 V AC, 3-pole, for baseplate mounting, 630 kVA and 1000-A feed disconnecter

Designation	Size	Amps	PU	Product designation	Order no.
Screw terminal M12	3	630 kVA	1	NH-LATR 3IN 630KVA G6G6	34360-1000
Screw terminal M12, with integrated solid-links 1000 A	3	1000	1	NH-TRENNER 3IN 1000A G6G6	34360-0100



34762-1020

NH Fuse-Switches, horizontal design, 1000/1500 V AC, 3-pole, for baseplate mounting

Designation	Size	Amps	PU	Product designation	Order no.
Multiple-use terminal (bolt M10), 1000 V	3	500	1	NH-LATR 3 IN 1000V 500A U2U2	34762-1020
Multiple-use terminal (bolt M10), 1500 V, for NH fuse-links of type 3L only	3L	500	1	NH-LATR 3L IN 1500V 500A U2U2	34762-1010



33136-0010

NH Fuse-Switches, horizontal design, for busbar mounting

Designation	Size	Amps	PU	Product designation	Order no.
Multiple-use terminal (bolt M8), busbar mounting	00	160	2	NH-LATR 00IN 1P SB U5	33137-0010

NH Fuse-Switches, horizontal design, 690 V AC, 3-pole switching, for busbar mounting – 40/12 mm system

Horizontal-design NH fuse-switches for busbar mounting of the SILAS series feature a consistent installation depth and are easily and flexibly

installed in accordance with customer requirements.

► Technical data, page 157



39000-0007

NH Fuse-Switches, horizontal design, 690 V AC for 40/12 mm busbar systems, installation depth 70 mm

Features:

- Optimal labeling
- Integrated hand protection
- Easy and quick installation on busbars
- Size 000 and 00, plug-in contacting
- Size 1 and 2, hook contacting, non-reversible, top terminal

Designation	Size	Amps	PU	Product designation	Order no.
Box clamp 2.5 – 50 mm ² , bottom terminal, narrow version – 53 mm	000	100	1	SILAS SB NH000 40 AU R4	39000-0007
Box clamp 2.5 – 50 mm ² , top terminal, narrow version – 53 mm	000		1	SILAS SB NH000 40 AO R4	39001-0007
Box clamp 2.5 – 95 mm ²	00	160	1	SILAS SB NH00 40 EB70 R5	39020-0000
Multiple-use terminal (bolt M8)	00	160	1	SILAS SB NH00 40 EB70 U5	39021-0000
Multiple-use terminal (bolt M10)	1	250	1	SILAS SB NH1 40 EB70 U2	39060-0000
Box clamp 35 – 150 mm ²	1	250	1	SILAS SB NH1 40 EB70 R	39061-0000
Multiple-use terminal (bolt M10)	2	400	1	SILAS SB NH2 40 EB70 AO U2	39078-0000
Box clamp 95 – 300 mm ²	2	400	1	SILAS SB NH2 40 EB70 AO R	39079-0000

Power distribution components

NH Fuse-Switches, vertical design, 690 V AC, 3-pole switching, for busbar mounting – 60 mm system

The horizontal-design NH fuse-switches of the SILAS series yield many benefits for the installation in 60 mm busbar systems.

- Reversible hook contacting for top or bottom terminal position
- Narrowest device worldwide within this system (size 000)
- Consistent field cover height for all sizes

► Technical data, page 158



39040-0000

NH Fuse-Switches, horizontal design, 690 V AC, for 60 mm busbar systems, 32 mm installation depth, hook contacting, for combination with D0 elements

Designation	Size	Amps	PU	Product designation	Order no.
Box clamp 2.5 – 50 mm ² , bottom terminal, narrow version – 53 mm	000	100	1	SILAS SB NH000 60 AU R4	39010-0007
Box clamp 2.5 – 50 mm ² , top terminal, narrow version – 53 mm	000	100	1	SILAS SB NH000 60 AO R4	39011-0007
Box clamp 2.5 – 95 mm ²	00	160	1	SILAS SB NH00 60 EB32 R5	39040-0000



39050-0000

NH Fuse-Switches, horizontal design, 690 V AC, for 60 mm busbar systems, 70 mm installation depth, hook contacting

Designation	Size	Amps	PU	Product designation	Order no.
Box clamp 2.5 – 50 mm ² , bottom terminal, narrow version – 53 mm	000	100	1	SILAS SB NH000 60 AU R4	39010-0007
Box clamp 2.5 – 50 mm ² , top terminal, narrow version – 53 mm	000	100	1	SILAS SB NH000 60 AO R4	39011-0007
Box clamp 2.5 – 95 mm ²	00	160	1	SILAS SB NH00 60 EB70 R5	39050-0000
Multiple-use terminal (bolt M8)	00	160	1	SILAS SB NH00 60 EB70 U5	39052-0000
Multiple-use terminal (bolt M10)	1	250	1	SILAS SB NH1 60 EB70 U2	39064-0000
Box clamp 35 – 150 mm ²	1	250	1	SILAS SB NH1 60 EB70 R	39068-0000
Box clamp 95 – 300 mm ²	2	400	1	SILAS SB NH2 60 EB70 R	39074-0000
Multiple-use terminal (bolt M10)	2	400	1	SILAS SB NH2 60 EB70 U2	39070-0000
Box clamp 95 – 300 mm ²	3	630	1	SILAS SB NH3 60 EB70 R	39084-0000
Multiple-use terminal (bolt M10)	3	630	1	SILAS SB NH3 60 EB70 U2	39080-0000

NH Fuse-Switches SILAS – for 60 mm busbar feed

SILAS horizontal-design fuse-switches provide additional terminals. This allows the feeding of one 60 mm busbar system plus one additional fuse outlet.

- Cost-efficient
- Space-saving
- Direct mounting without drilling
- Size 1 and 2 for 60 mm busbar systems

► Technical data, page 152



39086-0000

NH Fuse-Switches, horizontal design, 690 V AC, for feeding 60 mm busbar systems, 70 mm installation depth, hook contacting

Designation	Size	Amps	PU	Product designation	Order no.
Multiple-use terminal (bolt M10)	1	250	1	SILAS SE NH1 60 EB70 U2U2	39086-0000
Multiple-use terminal (bolt M10)	2	400	1	SILAS SE NH2 60 EB70 U2U2	39087-0000

NH Fuse-Switches, horizontal design, 690 V AC, 3-pole switching, for busbar mounting – 100 mm system

Application

- Sliding fuse-test window
- Top or bottom terminals selectable
- Easy and quick installation

► Technical data, page 164

Power distribution components



39212-5000

NH Fuse-Switches, horizontal design, 690 V AC, 3-pole switching, for busbar mounting

Features:

- For 100 mm busbar systems
- Hook contacting

Designation	Size	Amps	PU	Product designation	Order no.
Multiple-use terminal (bolt M10)	1	250	1	NH-LATR SB 1IN 100 U2K93	39212-5000
Multiple-use terminal (bolt M10)	2	400	1	NH-LATR SB 2IN 100 U2K93	39222-5000
Multiple-use terminal (bolt M10)	3	630	1	NH-LATR SB 3IN 100 U2K93	39232-5000

NH Fuse-Switches, horizontal design, 80 V DC, 1-pole switching, for baseplate and busbar mounting

► Technical data, page 174



33107-0250

TPS Fuse-Switches for baseplate mounting

Features:

- Very compact design
- Safe handling
- Only suitable for use with TPS fuse-links

Designation	Size	Amps	PU	Product designation	Order no.
Flat terminal M8	00	250	2	U NH-LATR TPS 00/250 1P G4G4	33107-0250
Flat terminal M12	00	600	2	U NH-LATR TPS 00/600 1P L6L6	33107-0600
Flat terminal M16	2	1200	1	U NH-LATR TPS 2/1200 1P L8L8	33460-0000
Flat terminal 2 x M12	2	1600	1	U NH-LATR TPS 2/1600 1P L6L6	33560-0000



33111-0250

TPS Fuse-Switches for busbar mounting

Features:

- Very compact design
- Safe handling
- Only suitable for use with TPS fuse-links

Designation	Size	Amps	PU	Product designation	Order no.
Flat terminal M8	00	250	2	U NH-LATR TPS 00/250 1P SB G4	33111-0250
Flat terminal M12	00	600	2	U NH-LATR TPS 00/600 1P SB L6	33111-0600
Flat terminal M16	2	1200	2	U NH-LATR TPS 2/1200 1P SB L8	33470-0000

NH Fuse-Switches, horizontal design, 550 V DC, 1-pole switching, for baseplate and busbar mounting

► Technical data, page 176



33107-0010

NH Fuse-Switches, horizontal design, 1-pole switching, for baseplate mounting

Designation	Size	Amps	PU	Product designation	Order no.
Flat terminal M8	00	160	2	NH-LATR 00 1P SC G4G4	33107-0010
Multiple-use terminal U3 with pressure plate for 2.5 – 25 mm ²	00	125	2	NH-LATR 00 1P SC U3U3	33108-0010
Multiple-use terminal U4 with pressure plate and contact prism for 25 – 70 mm ²	00	160	2	NH-LATR 00 1P SC U4U4	33109-0010
Flat terminal M10	1	250	2	NH-LATR 1 1P SC L5L5	33095-0010
Flat terminal M10	2	400	2	NH-LATR 2 1P SC L5L5	33096-0010
Flat terminal M12	3	630	2	NH-LATR 3 1P SC L6L6	33097-0010
Flat terminal M16	4a	1250	1	NH-LATR/UNT 4A 1P L8L8	33047-0010
Flat terminal M12	4a	1600	1	NH-LATR/UNT 4A 1P 1600A L6L6	33047-0070



33100-0010

NH Fuse-Switches, horizontal design, 1-pole switching, for busbar mounting

Designation	Size	Amps	PU	Product designation	Order no.
Flat terminal M8, Top or bottom terminals selectable	00	160	2	A NH-LATR 00 1P SB SC G4	33111-0010
Multiple-use terminal U3 with pressure plate for 2.5 – 50 mm ² , Top or bottom terminals selectable	00	125	2	NH-LATR 00 1P SB SC U3	33112-0010
Multiple-use terminal U4 with pressure plate and contact prism for 25 – 70 mm ² , top or bottom terminals selectable	00	160	2	NH-LATR 00 1P SB SC U4	33113-0010
Flat terminal M10, bottom terminal	1	250	2	NH-LATR 1 1PU SB SC L5	33098-0010
Flat terminal M10, top terminal	1	250	2	NH-LATR 1 1PO SB SC L5	33098-0020
Flat terminal M10, bottom terminal	2	400	2	NH-LATR 2 1PU SB SC L5	33099-0010
Flat terminal M10, top terminal	2	400	2	NH-LATR 2 1PO SB SC L5	33099-0020
Flat terminal M12, bottom terminal	3	630	2	NH-LATR 3 1PU SB SC L6	33100-0010
Flat terminal M12, top terminal	3	630	2	NH-LATR 3 1PO SB SC L6	33100-0020
Flat terminal M16, bottom terminal	4a	1250	1	NH-LATR/UNT 4A 1PU SB L8	33048-0010
Flat terminal M16, top terminal	4a	1250	1	NH-LATR/UNT 4A 1PO SB L8	33048-0020
Flat terminal M12, bottom terminal	4a	1600	1	NH-LATR/UNT 4A 1PU SB 1600A L6	33048-0030
Flat terminal M12, top terminal	4a	1600	1	NH-LATR/UNT 4A 1PO SB 1600A L6	33048-0040

NH Fuse-Switches, horizontal design, 1200 V DC, 2 and 4-pole switching, for baseplate mounting

► Technical data, on demand



34762-1030

NH Fuse-Switches, horizontal design, 1200 V DC, 2 poles

Designation	Amps	PU	Product designation	Order no.
DC-NH fuse-switch, size 3L, 2-pole, for baseplate mounting	400	1	DC-NH-LATR 3L IN 1200V DC 2P 400A U2U2	34762-1030



34762-1040

NH Fuse-Switches, horizontal design, 1200 V DC, 4 poles

Designation	Amps	PU	Product designation	Order no.
DC-NH fuse-switch, size 3L, 4-pole, for baseplate mounting	400	1	DC-NH-LATR 3L IN 1200V DC 4P 400A U2U2	34762-1040

Fuse disconnecter, 1000 V DC, 1 and 2-pole, for baseplate mounting

Application

Protection of DC photovoltaic (PV) systems against overcurrent and short-circuits

► Technical data, page 170



76300-0200

DC Fuse disconnecter 10 x 38 for 1000 V

Features:

- Size: 10.3 x 38 mm
- Rated voltage: 1000 V DC
- IP class: IP2X
- Utilization category: DC-20B

Note:

Do not operate under load

Designation	PU	Product designation	Order no.
SI-TR 10X38 1P 1000VDC 32A	1	SI-TR 10X38 1P 1000VDC 32A	76300-0100
SI-TR 10X38 2P 1000VDC 32A	1	SI-TR 10X38 2P 1000VDC 32A	76300-0200



76301-0200

DC Fuse disconnecter 10 x 38 for 1000 V with visual indicator

Features:

- Size: 10.3 x 38 mm
- Rated voltage: 1000 V DC
- IP class: IP2X
- Utilization category: DC-20B

Note:

Do not operate under load

Designation	PU	Product designation	Order no.
SI-TR 10X38 1P SM 1000VDC 32A	1	SI-TR 10X38 1P SM 1000VDC 32A	76301-0100
SI-TR 10X38 2P SM 1000VDC 32A	1	SI-TR 10X38 2P SM 1000VDC 32A	76301-0200

Power distribution components

Disconnecter, 1000 V DC, for baseplate and supporting-rail mounting

Application

Safe disconnection of the power supply

► Technical data, page 172



76305-0100

DC Disconnecter 32 A – 1000 V for baseplate mounting

Designation	PU	Product designation	Order no.
LT-PV 1000VDC 32A G IP65	1	LT-PV 1000VDC 32A G IP65	76305-0100



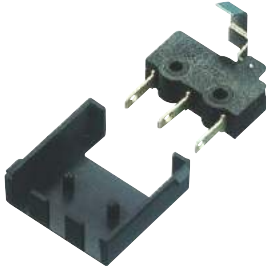
76305-0200

DC Disconnecter 32 A – 1000 V DC, for supporting-rail mounting

Designation	PU	Product designation	Order no.
LT-PV 1000VDC 32A IP40	1	LT-PV 1000VDC 32A IP40	76305-0200

Accessories for NH Fuse-Switches, IN series

► Technical data, page 150, 179



36174-0010

Microswitch
Features:

- For switch position indication

Designation	Size	PU	Product designation	Order no.
Microswitch for switch position indication	000	1	MIKROSCHALTER FÜR SCHALTZU-STANDSANZEIGE	36107-0010
Microswitch	00	1	MIKROSCHALTER F.SCHALTZUSTANDSANZ. 00IN	36174-0010
Microswitch for switch position indication	1-3	1	MIKROSCHALTER TYP 1	85138-0100



31401-0100

Terminal cover
Features:

- Suitable for top or bottom stacking

Designation	Size	PU	Product designation	Order no.
Terminal cover	00	1	BERÜHRUNGSSCHUTZ 00IN	31401-0100
Terminal cover	1	1	BERÜHRUNGSSCHUTZ GR.1IN	31438-0100
Terminal cover	2	1	BERÜHRUNGSSCHUTZ GR.2IN	31428-0100
Terminal cover	3	1	BERÜHRUNGSSCHUTZ GR.3IN	31429-0100



36145-0010

Quick-mount kit
Features:

- For 2 supporting rails with a spacing of 125 or 150 mm

Designation	Size	PU	Product designation	Order no.
Quick-mount kit for 2 supporting rails	000	1	SCHNELLEBEFESTIGUNG FÜR NH-LATR 000	36145-0010

Anti-theft screws

Designation	Size	PU	Product designation	Order no.
Anti-theft screws, size 00 IN (kit)	00	1	STROMDIEBSTAHLSICHERUNG NH-LATR 00IN	36916-0010
Anti-theft screws, size 1 – 3 IN (kit)	1-3	3	1 SATZ (3ST) STROMDIEBSTAHLS. NH-LATR 1-3IN	36930-0010



85371-0100

Feeding devices
Features:

- Easy and safe connection method
- Quick mounting
- Less wiring work
- For series 34050-0000 only

Designation	Size	PU	Product designation	Order no.
Feeding clamp for 25 – 95 mm ² (1 kit = 3 pieces)	000	1	EINSPEISEKLEMME 000	36163-0010
Feeding device for 2 devices	000	1	EINSPEISEKAMM 2X 000	85371-0100
Feeding device for 3 devices	000	1	EINSPEISEKAMM 3X 000	85371-0200
Feeding device for 4 devices	000	1	EINSPEISEKAMM 4X 000	85371-0300
Connecting piece	000	1	VERBINDUNGSSCHIENE 000	85372-0100
Blanking cover	000	1	ABDECKKAPPE FÜR LEERSTELLE	85373-0100

Accessories for NH Fuse-Switches, IN series

► Technical data, page 150



36169-0010

Pressure plates with screws, for multiple-use terminals

Features:

- 1 kit = 6 pieces

Designation	Size	PU	Product designation	Order no.
1,5 - 16 mm ²	00	6	1 SATZ (6 STÜCK) DRUCKSTÜCKE 00IN	36169-0010
6 - 25 mm ²	1	6	1 SATZ (6 STÜCK) DRUCKSTÜCKE 1IN	36197-0010
6 - 25 mm ²	2-3	6	1 SATZ (6 STÜCK) DRUCKSTÜCKE 2/3IN	36199-0010



36170-0010

Pressure plates with screws and contact prisms, for multiple-use terminals

Features:

- 1 kit = 6 pieces

Designation	Size	PU	Product designation	Order no.
16 - 95 mm ²	00	6	1 SATZ (6 STÜCK) KONTAKTPRISMEN 00IN	36170-0010
35 - 150 mm ²	1	6	1 SATZ (6 STÜCK) KONTAKTPRISMEN 1IN	36198-0010
35 - 240 mm ²	2-3	6	1 SATZ (6 STÜCK) KONTAKTPRISMEN 2/3IN	36200-0010



36171-0010

Triple terminal, 3 x 10 mm²

Features:

- 1 kit = 3 pieces

Designation	Size	PU	Product designation	Order no.
für 3 Anschlüsse je Phase bis 16 mm ² , ohne Aderendhülse	00	3	1 SATZ DREIFACHKLEMME 3 X 16	36171-0010

Accessories for NH Fuse-Switches, SILAS series

► Technical data, page 150



36934-0010

Pressure plates for multiple-use terminal
Features:

- Simple addition for the connection of Cu conductors, se, sm and laminated copper (only size 1 to 3)
- 1 kit = 3 pieces

Designation	Size	Amps	PU	Product designation	Order no.
6 - 50 mm ²	00	160	3	1SATZ (3STÜCK) DRUCKSTÜCKE GR.00 SILAS	36934-0010
70 - 150 mm ²	1	250	3	1SATZ (3STÜCK) DRUCKSTÜCKE GR.1 SILAS	36936-0010
120 - 240 mm ²	2	400	3	1SATZ (3STÜCK) DRUCKSTÜCKE GR.2 SILAS	36997-0010
150 - 300 mm ²	3	630	3	1SATZ (3STÜCK) DRUCKSTÜCKE GR.3 SILAS	36991-0010



36975-0010

Pressure plates with contact prism, for multiple-use terminals
Features:

- Simple addition for the connection of Cu and Al conductors
- 1 kit = 3 pieces

Designation	Size	Amps	PU	Product designation	Order no.
6 - 70 mm ²	00	160	3	1SATZ (3STÜCK) KONTAKTPRISMA GR.00 SILAS	36975-0010
70 - 150 mm ²	1	250	3	1SATZ (3STÜCK) KONTAKTPRISMEN GR.1 SILAS	36942-0010
120 - 240 mm ²	2	400	3	1SATZ (3STÜCK) KONTAKTPRISMEN GR.2 SILAS	36943-0010
150 - 300 mm ²	3	630	3	1SATZ (3STÜCK) KONTAKTPRISMEN GR.3 SILAS	36981-0010



36982-0010

Pressure plates with contact prism for 2 conductors, multiple-use terminal
Features:

- Simple addition for the connection of 2 Cu and Al conductors
- 1 kit = 3 pieces

Designation	Size	Amps	PU	Product designation	Order no.
2 x 35 - 70 mm ²	1	250	3	1SATZ (3ST) KONTAKTPR.2LEITER GR.1 SILAS	36982-0010
2 x 70 - 120 mm ²	2	400	3	1SATZ (3ST) KONTAKTPR.2LEITER GR.2 SILAS	36983-0010
2 x 150 - 185 mm ²	3	630	3	1SATZ (3ST) KONTAKTPR.2LEITER GR.3 SILAS	36984-0010



36994-0010

Box clamps

Designation	Size	Amps	PU	Product designation	Order no.
35 - 150 mm ²	1	250	3	1SATZ (3STÜCK) RAHMENKLEMME GR.1 SILAS	36992-0010
95 - 300 mm ²	2 - 3	630	3	1SATZ (3STÜCK) RAHMENKLEMME GR.2+3 SILAS	36994-0010



36953-0010

Retrofit kit AC 23, sizes 1 - 3, SILAS, for 690 V

Designation	Size	PU	Product designation	Order no.
Retrofit kit (1 kit = 3 pieces)	1-3	3	NACHRÜST. AC23 GR.1-3 SILAS (1SATZ=3ST)	36953-0010

Accessories for NH Fuse-Switches, SILAS series

► Technical data, page 150



36954-0010

Terminal cover, fuse cover

Features:

- Fits into several positions for enhanced protection against contact with live parts

Designation	Size	PU	Product designation	Order no.
Terminal cover, narrow version for busbar devices	000	1	BERÜHRUNGSSCHUTZ GR.000 SILAS/000IN	36954-0010
Terminal cover	00	1	BERÜHRUNGSSCHUTZ GR.00 SILAS	36935-0010
Terminal cover	1	1	BERÜHRUNGSSCHUTZ GR.1 SILAS	36960-0010
Terminal cover	2	1	BERÜHRUNGSSCHUTZ GR.2 SILAS	36950-0010
Terminal cover	3	1	BERÜHRUNGSSCHUTZ GR.3 SILAS	36952-0010



36962-0010

Support profile / universal sideframe

Features:

- Snaps into the side

Designation	Size	PU	Product designation	Order no.
Support profile	000	2	BLENDSTREIFEN GR.000 SILAS /000IN	36962-0010
Support profile	00	2	1SATZ (2STÜCK) BLENDSTREIFEN GR.00 SILAS	36941-0010
Support profile	1-3	2	1SATZ (2ST) BLENDSTREIFEN GR.1-3 SILAS	36940-0010



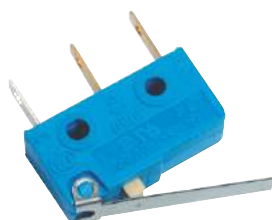
36937-0010

Quick-mount kit for supporting rails

Features:

- For 2 supporting rails with a spacing of 125 or 150 mm

Designation	Size	PU	Product designation	Order no.
Quick-mount kit, narrow version	000	1	SCHNELLBEFESTIGUNG 125/150 GR.000 SILAS	36949-0010
Quick-mount kit for 2 supporting rails with a spacing of 125 or 150 mm	00 - 1	1	SCHNELLBEFESTIGUNG 125/150 GR.00/1 SILAS	36937-0010



36959-0060

Microswitch for switch position indication

Features:

- For switch position indication

Designation	Size	PU	Product designation	Order no.
Microswitch, narrow version	000	1	MIKROSCHALTER GR.000-00 SILAS	36959-0010
Microswitch	1-3	1	MIKROSCHALTER GR.1-3 SILAS	36959-0060



36969-0010

Anti-theft screws

Features:

- For size 000 to 3

Designation	Size	PU	Product designation	Order no.
Anti-theft screws, size 000, SILAS, narrow version	000	3	STROMDIEBSTAHLSICHERUNG GR.000-3 SILAS	36969-0010



36988-0010

Terminal extension

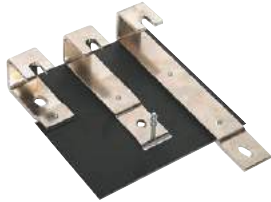
Features:

- For 32 mm installation depth
- 1 kit = 3 pieces

Designation	Size	PU	Product designation	Order no.
Terminal extension	1	3	1SATZ ANSCHLUSSVERLÄNGERUNG SILAS GR.1	36988-0010
Terminal extension	2	3	1SATZ (3STÜCK) ANSCHLUSSVERL. GR.2 SILAS	36989-0010
Terminal extension	3	3	1SATZ (3STÜCK) ANSCHLUSSVERL. GR.3 SILAS	36990-0010

Accessories for NH Fuse-Switches, SILAS series

► Technical data, page 150. 179

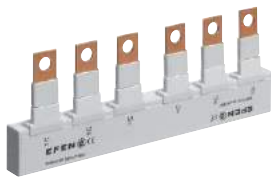


36985-0010

Busbar adapters
Features:

- For 100 mm busbar systems

Designation	Size	PU	Product designation	Order no.
Busbar adapter	1	1	SAMMELSCHIENENADAPTER GR.1 SILAS 100MM	36985-0010
Busbar adapter	2	1	SAMMELSCHIENENADAPTER GR.2 SILAS 100MM	36986-0010
Busbar adapter	3	1	SAMMELSCHIENENADAPTER GR.3 SILAS 100MM	36987-0010



90280-0100

Feeding devices for NH Fuse-Switches, horizontal design, SILAS series
Features:

- Easy and safe connection method
- Quick mounting
- Less wiring work
- Size 00 only suitable for devices with screw terminal M8

Designation	Size	PU	Product designation	Order no.
Feeding device for 2 devices, narrow version	000	4	EINSPEISEKAMM 2X SILAS NH000	90276-0100
Feeding device for 3 devices, narrow version	000	4	EINSPEISEKAMM 3X SILAS NH000	90276-0200
Feeding device for 4 devices, narrow version	000	4	EINSPEISEKAMM 4X SILAS NH000	90276-0300
Feeding device for 5 devices, narrow version	000	4	EINSPEISEKAMM 5X SILAS NH000	90276-0400
Feeding clamp 25 – 95 mm ² rm/sm, narrow version	000	3	EINSPEISEKLEMMME 95MM ² SILAS NH000	90277-0100
Feeding device for 2 devices, terminal M8	00	4	EINSPEISEKAMM 2X SILAS/IN NH00	90280-0100
Feeding device for 3 devices, terminal M8	00	4	EINSPEISEKAMM 3X SILAS/IN NH00	90280-0200
Feeding device for 4 devices, terminal M8	00	4	EINSPEISEKAMM 4X SILAS/IN NH00	90280-0300
Feeding device for 5 devices, terminal M8	00	4	EINSPEISEKAMM 5X SILAS/IN NH00	90280-0400
FEEDING CLAMP 95MM ² SILAS/IN NH00	00	4	EINSPEISEKLEMMME 95MM ² SILAS/IN NH00	90287-0100

Accessories for NH Fuse-Switches, 80 V DC and 550 V DC

► Technical data, on demand



36571-0010

Accessories for NH Fuse-Switches 80 V DC

Designation	Size	Amps	PU	Product designation	Order no.
Microswitch for switch position indication	000		1	MIKROSCHALTER FÜR SCHALTZU-STANDSANZEIGE	36107-0010
Contact hook for busbar mounting of a TPS fuse-switch Size 00 to 250 A	00		1	HAKEN NH-LATR 00 1P SB	36571-0010
Contact hook for busbar mounting of a TPS fuse-switch Size 00 to 600 A	00		1	HAKEN NH-LATR TPS 00/600	36890-0010
TPS solid-link up to 600 A	00	600	1	TRENNMESSER TPS 00/600	36917-0010
TPS solid-link up to 1600 A	2	1600	1	TRENNMESSER TPS 2/1600	36918-0010
Twinning kit for parallel operation of 2 devices/phases	00		1	VERBINDUNGSBLENDE LA-LEI 00N	31187-0100
Terminal cover, 140 mm	1 - 3		1	ANSCHLUSSRAUMABDECKUNG AK3	31319-0200
Microswitch for switch position indication	2		1	MIKROSCHALTER FÜR SCHALTZU-STANDSA. TPS 2	36887-0010
Connecting frame for parallel operation of 2 TPS fuse-switches	2		1	VERBINDUNGSBLENDE LA-LEI 1-3N	45071-0100



31122-0100

Accessories for NH Fuse-Switches 550 V DC

Designation	Size		PU	Product designation	Order no.
Identification label (screw-mount) 45 x 17 mm	00		1	BEZEICHNUNGSSCHILD SCHRAUB-BAR	36040-0010
Carrier for identification label	00		1	INFOTRÄGER NH-LA-LEI 00N	31122-0100
Terminal cover	1 - 2 - 3		1	ANSCHLUSSRAUMABDECKUNG GR.1-3	31157-0100
Connecting kit for parallel operation of two separate devices	1 - 2 - 3		3	VERBINDUNGSSATZ FÜR ZWILLINGS-LEISTE	81251-0100
Twinning kit for parallel operation of 2 devices/phases	00		1	VERBINDUNGSBLENDE LA-LEI 00N	31187-0100
Microswitch for switch position indication	000		1	MIKROSCHALTER FÜR SCHALTZU-STANDSANZEIGE	36107-0010
Microswitch for switch position indication, including screws for installation for size 1 - 3	1 - 3		1	MIKROSCHALTER NTSL KOMPL. MIT SCHRAUBEN	83398-0100
Microswitch for switch position indication, size 4a, installation on right-hand side	4a		1	MIKROSCHALTER GR.4A RECHTS	36247-0010
Microswitch for switch position indication, size 4a, installation on left-hand side	4a		1	MIKROSCHALTER GR.4A LINKS	36248-0010

NH Fuse-Switches, horizontal design

Technical data acc. to VDE 0660 T107/EN/IEC 60947-3 for IN series

Suitable for NH fuse-links according to VDE 0660 T 2	Size	000	000/00	1	2	3	4a
Rated operating current I_e	A	100	160	250	400	630	1250 1600
Conventional free-air thermic current I_{th}	A	160	160	250	400	630	1250 1600
Rated operating voltage U_e	V	690					
Rated isolation voltage U_i	V	690	800				
Rated impulse withstand-current U_{imp}	kV	6	8				
Conditional rated short-circuit current (when protected by NH fuse-links)	kA/400V	80	100	100	100 ²⁾	100	50
Conditional rated short-circuit current (when protected by NH fuse-links)	kA/690V	50					
Utilization category acc. to VDE 0660 T107/EN/IEC 60947-3	U _e = 400V AC U _e = 690V AC U _e = 440V DC ¹⁾	AC-22B AC-21B DC-21B					
Mechanical service life	Cycles	2000	1600	1600	1000	1000	600
Permissible ambient temperature	-25 °C to +55 °C						
Degree of protection acc. to DIN/EN 60529/VDE 0470 T1	IP 3X						
Maximum permissible power dissipation of the NH fuse-link	P _{n,max.}	9	12	23	34	48	115 140
Weight without fuse-links	kg	0,425	0,5	2,0	3,25	5,3	14,0

 1) when equipped with L₁ and L₃ with 2 poles; 1-pole U_e = 220 V DC

2) with pilot tool

Technical data acc. to VDE 0660 T107/EN/IEC 60947-3 for SILAS series

Suitable for NH fuse-links according to VDE 0636 T2	Size	000	00	1	2	3
Rated operating current I_e	A	100	160	250	400	630
Conventional free-air thermic current I_{th}	A	100	160	250	400	630
Rated operating voltage U_e	V	690				
Rated isolation voltage U_i	V	1000				
Rated impulse withstand-current U_{imp}	kV	6	8			
Conditional rated short-circuit current (when protected by NH fuse-links)	kA	80	80	80	50	80
Utilization category acc. to VDE 0660 T107/EN/IEC 60947-3	U _e = 400V AC U _e = 690V AC U _e = 220V DC U _e = 440V DC	AC-23B AC-21B Please inquire DC-22B	AC-23B AC-21B DC-22B Please inquire	AC-23B AC-22B DC-21B	AC-23B AC-22B DC-21B	AC-23B AC-22B DC-21B
Mechanical service life	Cycles	2000	1600	1600	1000	1000
Permissible ambient temperature	-25 °C to +55 °C					
Degree of protection DIN/EN 60529/VDE 0470 T1	IP 3X					
Maximum permissible power dissipation of the NH fuse-link	W	7,5	12	23	34	48
Weight without fuse-links	kg	0,54	0,84	2,2	3,6	4,1

NH Fuse-Switches, horizontal design

Product range overview

	Size 000	Size 00	Size 1	Size 2	Size 3
Baseplate mounting	•	•	•	•	•
40/12 mm busbar spacing	•	•	•	•	
60 mm busbar system	•	•	•	•	•
100 mm busbar system			•	•	•
Supporting-rail mounting	•	•	•		
Support profile	•	•	•	•	•
Terminal cover	•	•	•	•	•
Pressure plate for Cu conductor		•	•	•	•
Contact prism for Cu/Al conductor		•	•	•	•
Twin terminal with contact prism for Cu/Al conductors			•	•	•
Box clamp	•	•	•	•	•
Switch position indication	•	•	•	•	•
Electronic fuse-monitoring	•	•	•	•	•
Mechanical fuse-monitoring with circuit breaker		•	•	•	•
Anti-theft protection	•	•	•	•	•
Horizontal installation	•	•	•	•	•

NH Fuse-Switches, horizontal design

Conductor connections and sizes for IN series

Type of terminal	Conductor type		NH 000	NH 00	NH 1	NH 2	NH 3	4a	Size
Multiple-use terminal (screw terminal)	-	-	-	M8	M10	M10	M10	M12/M16	
Pressure plates with bolts	CU	re	-	1,5-16	1,5-16	-	-	-	mm ²
		rm/sm	-	2-25	6-50	6-70	6-70	-	
Pressure plates with bolts and contact prisms	CU AL	re/rm/ se/sm	-	2,5-70	70-150	70-240	70-240	-	mm ²
Box clamp	CU	rm/re	1,5-50	-	-	-	-	-	mm ²
		se/sm	-	-	-	-	-	-	
Triple terminal	CU	re	-	1,5-10	-	-	-	-	mm ²
		rm	-	10-16	-	-	-	-	
Flat conductor (width x height) ≤	-	-	-	10x6	16x15	21x15	21x15	-	mm

Conductor connections and sizes for SILAS series

Type of terminal	Conductor type		NH 000	NH 00	NH 1	NH 2	NH 3	Size
Multiple-use terminal (screw terminal)	-	-	-	M8	M10	M10	M10	
Pressure plates with bolts	CU	re	-	6-50	70-150	-	-	mm ²
		rm/sm	-	6-25	6-50	6-70	6-70	
Pressure plates with bolts and contact prisms	CU AL	re/rm/ se/sm	-	6-70	70-150	120-240	150-300	mm ²
Pressure plates with bolts and contact prisms for two conductors	CU AL	rm/se/ sm	-	-	2x35-70	2x70-120	2x150	mm ²
Box clamp	CU	rm/re	2,5-50	2,5-95	35-150	95-300	95-300	mm ²
		se/sm	-	-	50-150	120-300	120-300	
	AL	rm/re	-	-	35-150	95-300	95-300	
		se/sm	-	-	50-150	120-300	120-300	
Triple terminal	CU	re	-	1,5-10	-	-	-	mm ²
		rm	-	10-16	-	-	-	
Flat conductor (width x height) ≤					1 x20	8 x32	8 x32	
					15x20	20x32	20x32	

NH Fuse-Switches, horizontal design

Tightening torques for terminals and busbar mounting for IN series

Size	NH 000	NH 00	NH 1	NH 2	NH 3	4a
Type of terminal	Tightening torques (Nm)					
Multiple-use terminal (screw terminal)	-	14	32	32	32	32 / 56
Pressure plates with bolts	-	4	8	14	14	-
Pressure plates with bolts and contact prisms	-	4	8	14	14	-
Busbar contacting	-	6	10	10	14	-
Box clamp	3	3	-	-	-	-

Tightening torques for terminals and busbar mounting for SILAS series

Size	NH 000	NH 00	NH 1	NH 2	NH 3
Type of terminal	Tightening torques (Nm)				
Multiple-use terminal (screw terminal)	-	12	20	20	20
Pressure plates with bolts	-	3	6	8	8
Pressure plates with bolts and contact prisms	-	3	6	8	8
Busbar contacting	4,5	6	6	8	8
Box clamp	4,5	5	12	20	20

Connection with two cable lugs

Size	16 mm ²	25 mm ²	35 mm ²	50 mm ²	70 mm ²	95 mm ²	120 mm ²	150 mm ²	185 mm ²	240 mm ²	300 mm ²
00	2 x	2 x	2 x	2 x		-	-	-	-	-	-
1	2 x	2 x	2 x	2 x	2 x	2 x	2 x	2 x	2 x	-	-
2	-	-	-	-	-	-	-	2 x	2 x	2 x	2 x
3	-	-	-	-	-	-	-	2 x	2 x	2 x	2 x

Cable lugs according to DIN 46235 were used for verification.

Other commercially available cable lugs may have different dimensions but are usually compatible.

NH Fuse-Switches, horizontal design

Baseplate mounting

Description	Size	Amps I _{th}	Designation	PU	Weight in kg	Order no.
Box clamp 1.5 – 50 mm ²	000	160	NH-Latr 000 R4R4	10	0,422	34050-0000
Box clamp 2.5 – 50 mm ² , narrow version – 53 mm	000	100	SILAS NH000 R4R4	1	0,568	34040-0007

Supporting-rail mounting

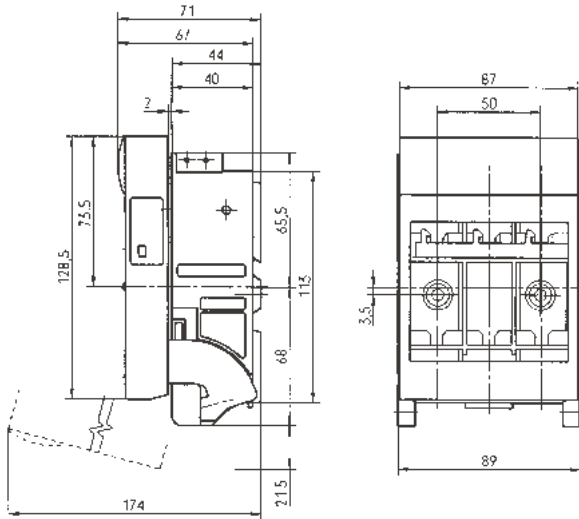
Description	Size	Amps I _{th}	Designation	PU	Weight in kg	Order no.
Box clamp 1.5 – 50 mm ²	000	160	NH-Latr 000 HB R4R4	10	0,42	34050-0070

Supporting-rail mounting

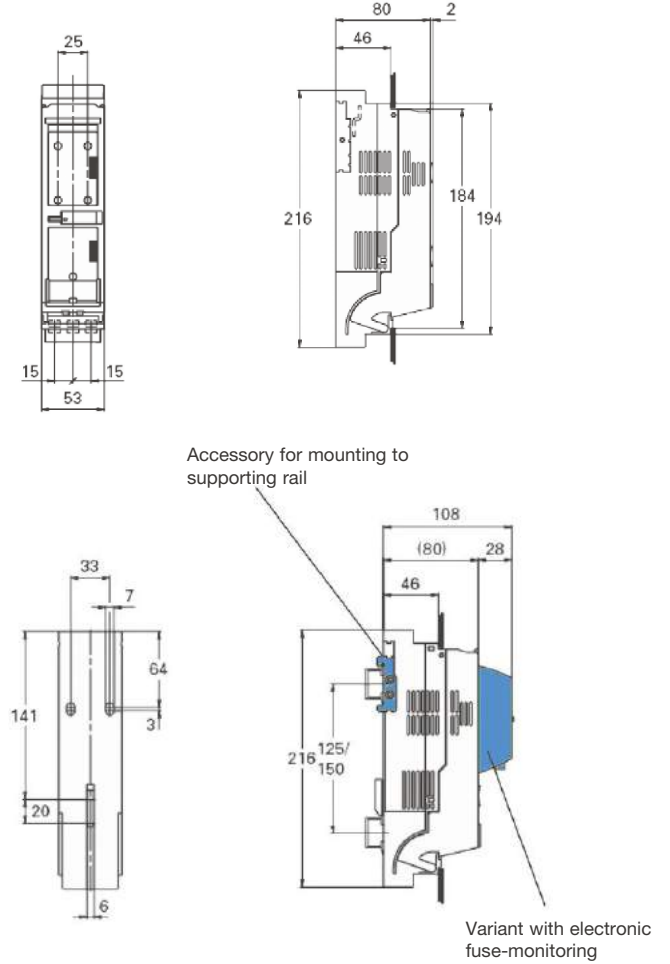
Description	Size	Amps I _{th}	Designation	PU	Weight in kg	Order no.
Multiple-use terminal (bolt M8)	00	160	NH-Latr 00IN HB U5U5	10	0,60	34060-0070
Box clamp 1.5 – 50 mm ²	00	125	NH-Latr 00IN HB R2R2	10	0,55	34065-0070

NH Fuse-Switches, horizontal design

Size 000

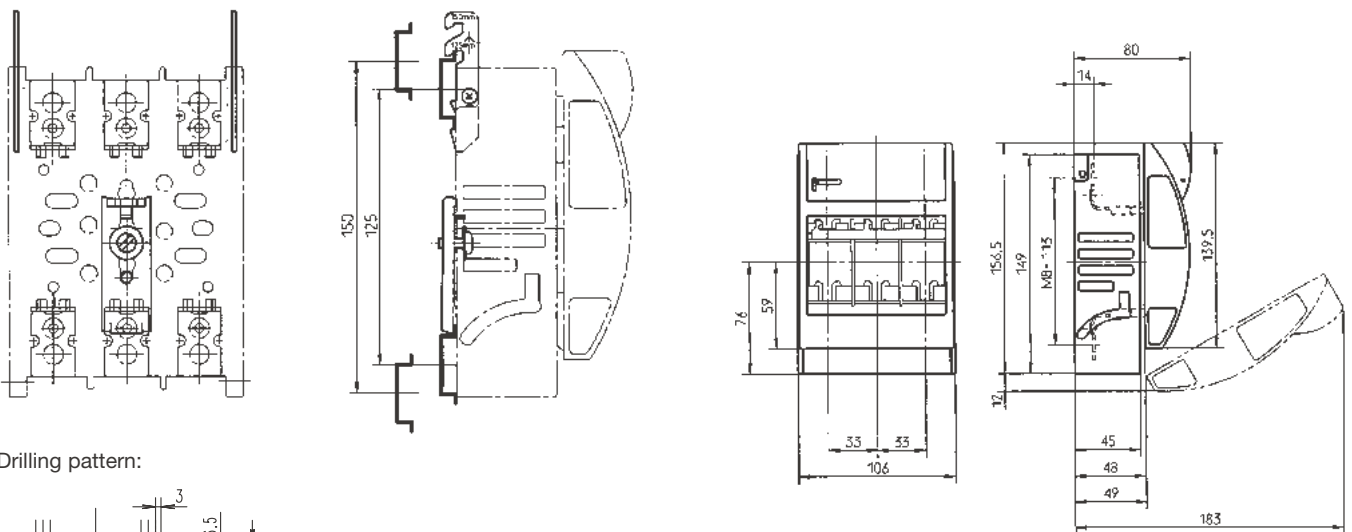


Size 000, narrow version



Power distribution components

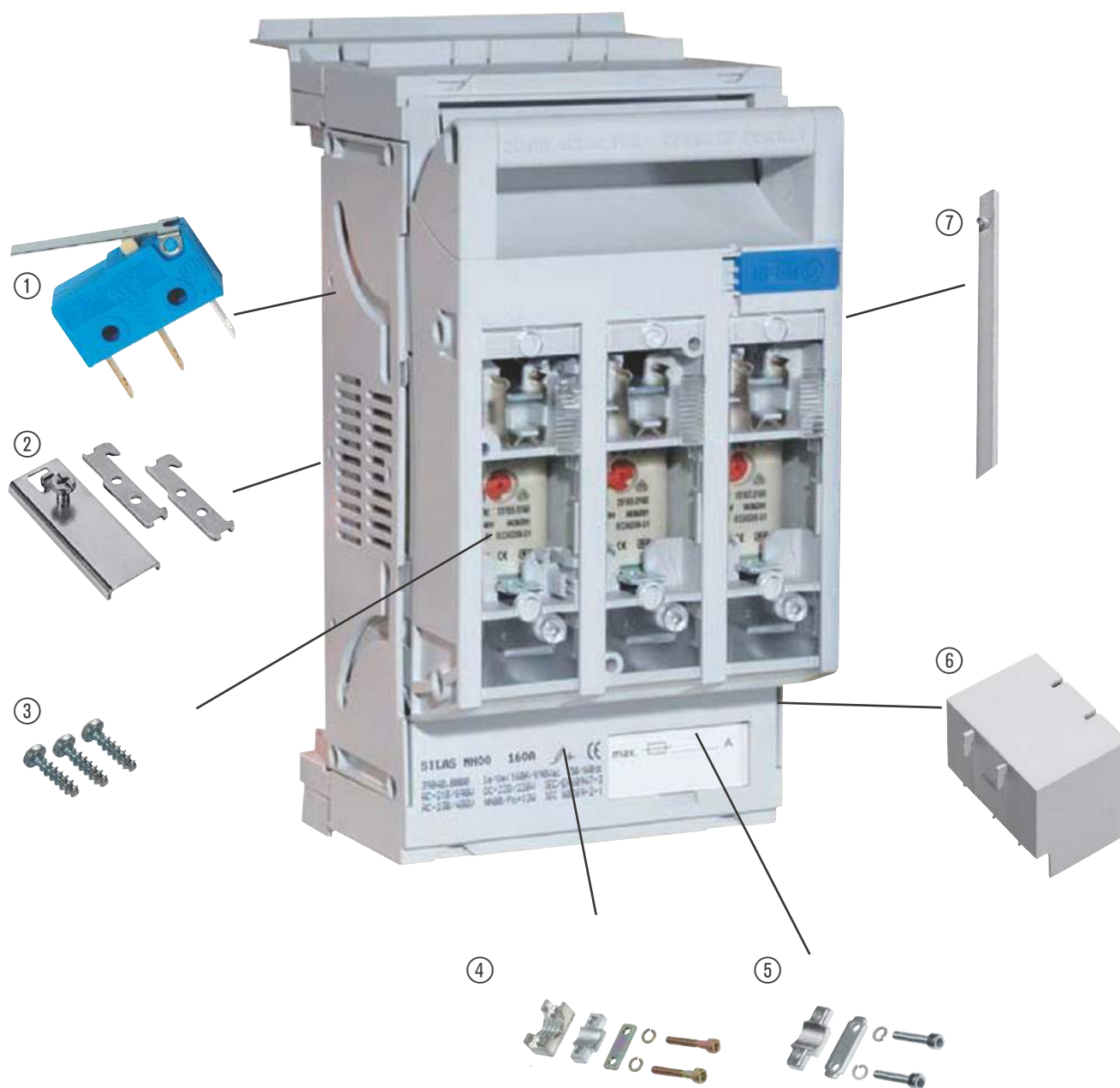
Size 00



NH Fuse-Switches, horizontal design, SILAS series

NH Fuse-Switches, horizontal design, size 000-00
Accessories

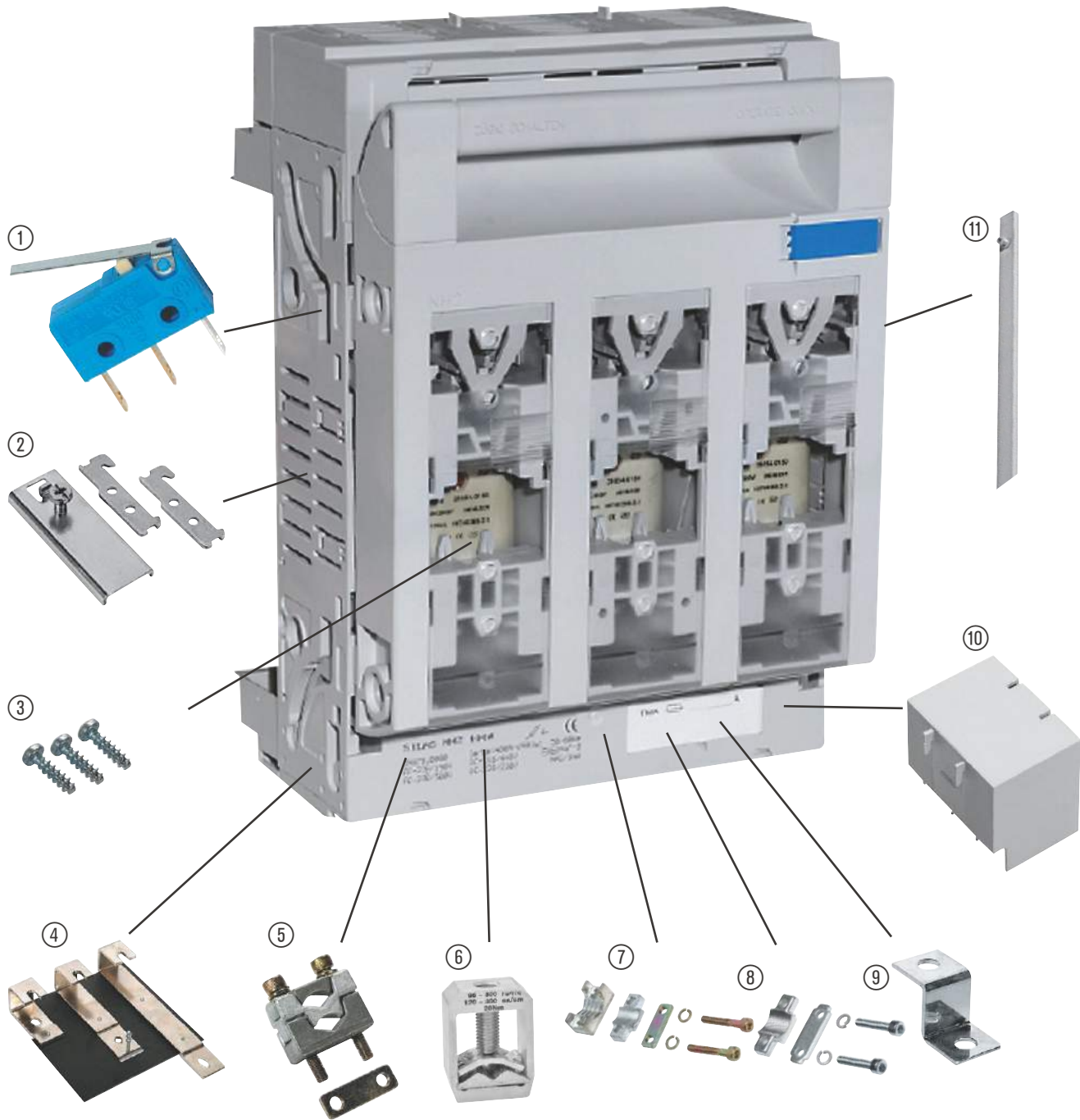
Power distribution
components



- ① 36959-0010 Microswitch, size 00 and size 000
- ② 36937-0010 Quick-mount kit, size 00
- ③ 36969-0010 Anti-theft screws
- ④ 36975-0010 Pressure plate with contact prism 6 – 70 mm², size 00
- ⑤ 36934-0010 Pressure plate 6 – 70 mm², size 00
- ⑥ 36954-0010 Terminal cover, size 000
- ⑦ 36962-0010 Support profile, size 000

NH Fuse-Switches, horizontal design, SILAS series

NH Fuse-Switches, horizontal design, size 1 – 3 Accessories



Power distribution
components

- ① 36959-0060 Microswitch, size 1-3
- ② 36937-0010 Quick-mount kit, size 1
- ③ 36969-0010 Anti-theft screws
- ④ 36985-0010 Busbar adapter, size 1
- ⑤ 36982-0010 Pressure plate with contact prism, 2 x 35 – 70 mm², size 1
- ⑥ 36992-0010 Box clamp 35 – 150 mm², size 1
- ⑦ 36942-0010 Pressure plate with contact prism 70 – 150 mm², size 1
- ⑧ 36936-0010 Pressure plate 70 – 150 mm², size 1
- ⑨ 36988-0010 Terminal extension, size 1
- ⑩ 36960-0010 Terminal cover, size 1
- ⑪ 36940-0010 Support profile, size 1 – 3

NH Fuse-Switches, horizontal design, SILAS series

SILAS horizontal-design fuse-switches provide additional terminals.
This allows the feeding of one 60 mm busbar system and additional fuse outlets.

- Cost-efficient
- Space-saving
- Direct mounting without drilling
- Size 1 and 2 for 60 mm busbar systems

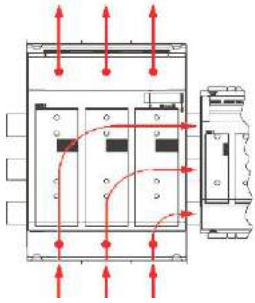
Description	Size	Amps I _n	PU	Weight in kg	Designation	Order no.
Screw terminal M10	1	250	1	2,3	SILAS SE NH1 60 EB70 U2U2	39086-0000
Screw terminal M10	2	400	1	3,6	SILAS SE NH2 60 EB70 U2U2	39087-0000

Power distribution
components

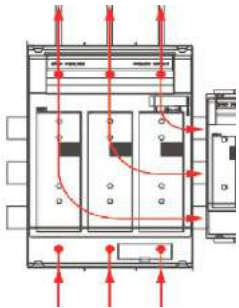
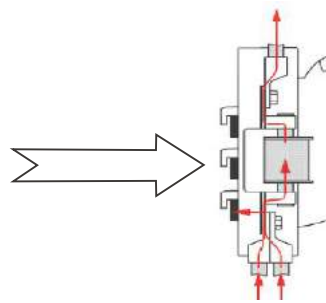
NH Fuse-Switches, horizontal design, SILAS series

Busbar feed

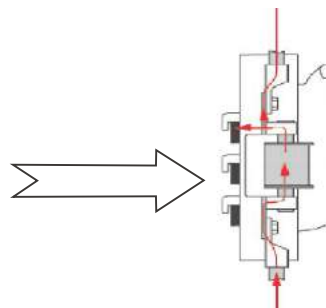
Additional fuse outlet



Feed without NH fuse-links
 250 A SILAS 1
 400 A SILAS 2
 Feed
 max. 500 A SILAS 1
 max. 800 A SILAS 2



Feed via NH fuse-links
 125 A SILAS 1
 200 A SILAS 2
 Feed
 max. 250 A SILAS 1
 max. 400 A SILAS 2



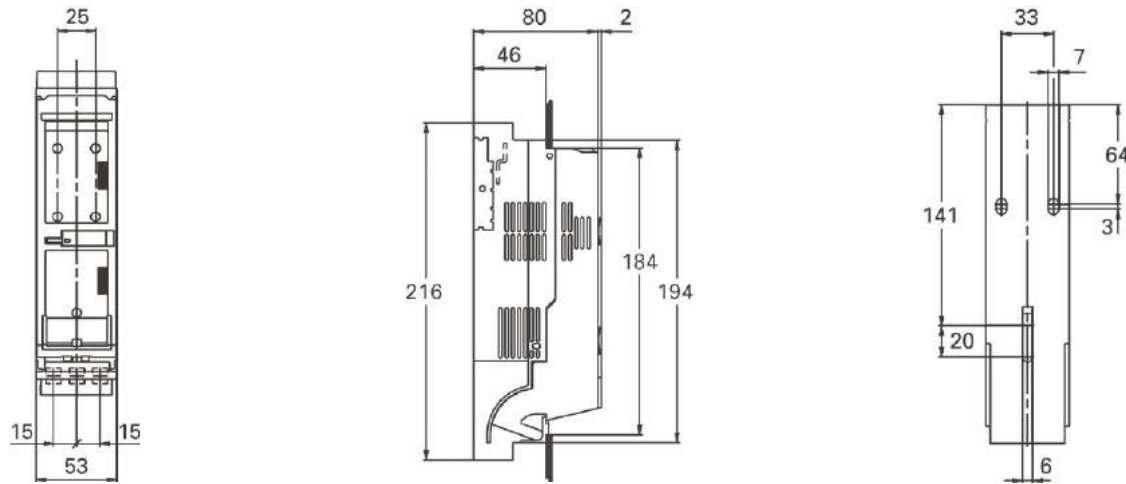
NH Fuse-Switches, horizontal design

for baseplate mounting

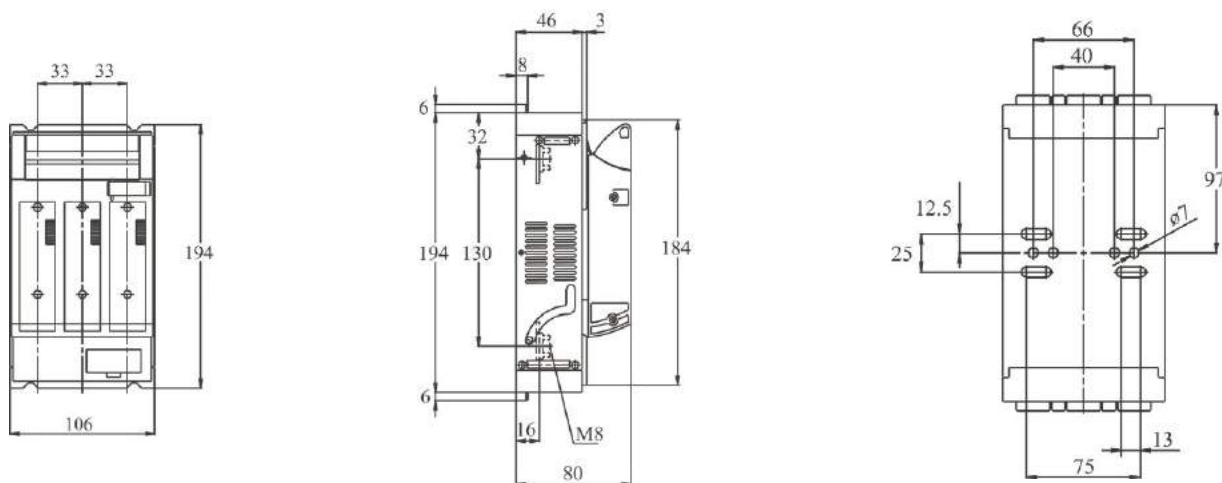
Description	Size	Amps I _n	PU	Weight in kg	Designation	Order no.
With box clamp rm/re 50 mm ²	000	100 A	1	0,4	SILAS NH000 R4R4	34040-0007
Multiple-use terminal (bolt M8)	00	160 A	1	0,6	SILAS NH00 U5U5	34077-0000
With box clamp rm/re 95 mm ²	00	160 A	1	0,6	SILAS NH00 R5R5	34076-0000
Multiple-use terminal (bolt M10)	1	250 A	1	2,0	SILAS NH1 U2U2	34170-0000
With box clamp rm/re 150 mm ²	1	250 A	1	2,2	SILAS NH1 RR	34175-0000
Multiple-use terminal (bolt M10)	2	400 A	1	3,0	SILAS NH2 U2U2	34270-0000
With box clamp rm/re 300 mm ²	2	400 A	1	3,6	SILAS NH2 RR	34275-0000
Multiple-use terminal (bolt M10)	3	630 A	1	3,5	SILAS NH3 U2U2	34370-0000
With box clamp rm/re 300 mm ²	3	630 A	1	4,0	SILAS NH3 RR	34375-0000

NH Fuse-Switches, horizontal design

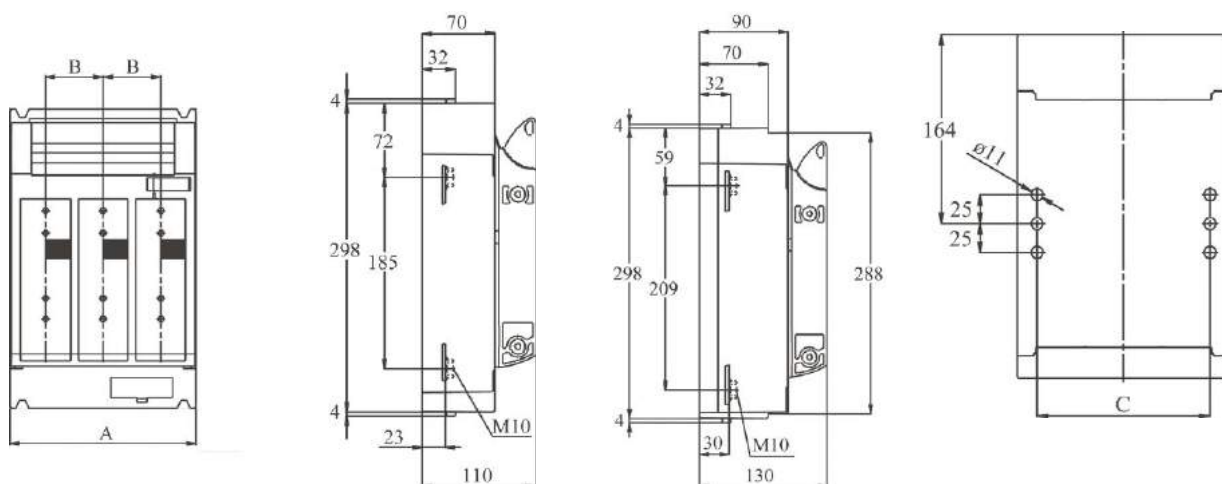
Dimensions drawings
Size 000



Dimensions drawings
Size 00



Dimensions drawings
Size 1 - 3



Size	A	B	C
1	184	57	150
2	210	65	166
3	250	80	195

Size 1

Size 2/3

Power distribution components

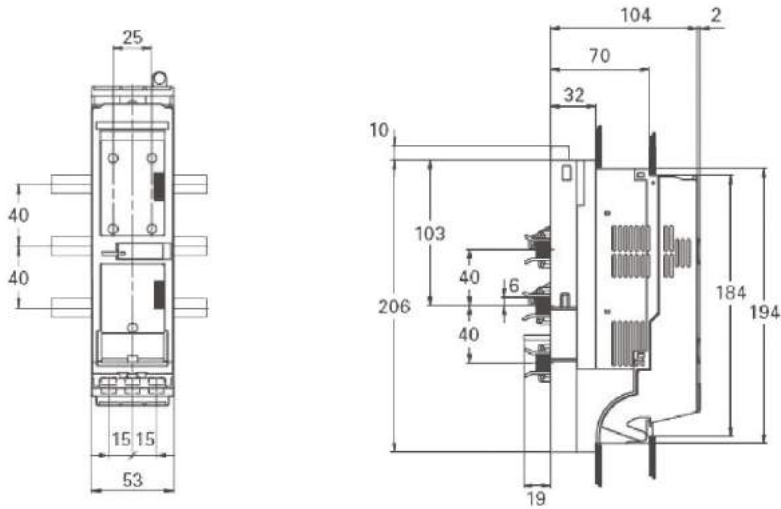
NH Fuse-Switches, horizontal design

For 40/12 mm busbar system according to DIN 43870

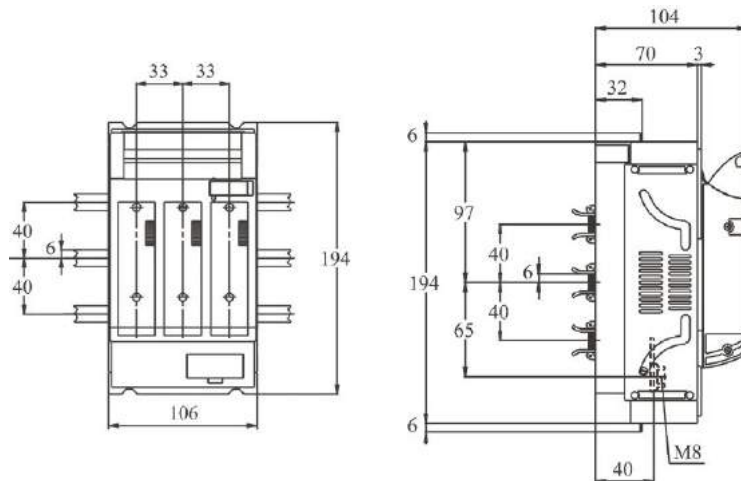
Description	Size	Amps I _n	PU	Weight in kg	Designation	Order no.
With box clamp rm/re 50 mm ² Bottom terminals	000	100 A	1	0,5	SILAS SB NH000 40 AU R4	39000-0007
With box clamp rm/re 50 mm ² Top terminals	000	100 A	1	0,5	SILAS SB NH000 40 AO R4	39001-0007
Multiple-use terminal (bolt M8)	00	160 A	1	0,7	SILAS SB NH00 40 EB70 U5	39021-0000
With box clamp rm/re 95 mm ²	00	160 A	1	0,7	SILAS SB NH00 40 EB70 R5	39020-0000
Multiple-use terminal (bolt M10)	1	250 A	1	2,1	SILAS SB NH1 40 EB70 U2	39060-0000
With box clamp rm/re 150 mm ²	1	250 A	1	2,3	SILAS SB NH1 40 EB70 R	39061-0000
Multiple-use terminal (bolt M10)	2	400 A	1	3,3	SILAS SB NH2 40 EB70 AO U2	39078-0000
With box clamp rm/re 300 mm ²	2	400 A	1	3,6	SILAS SB NH2 40 EB70 AO R	39079-0000

NH Fuse-Switches

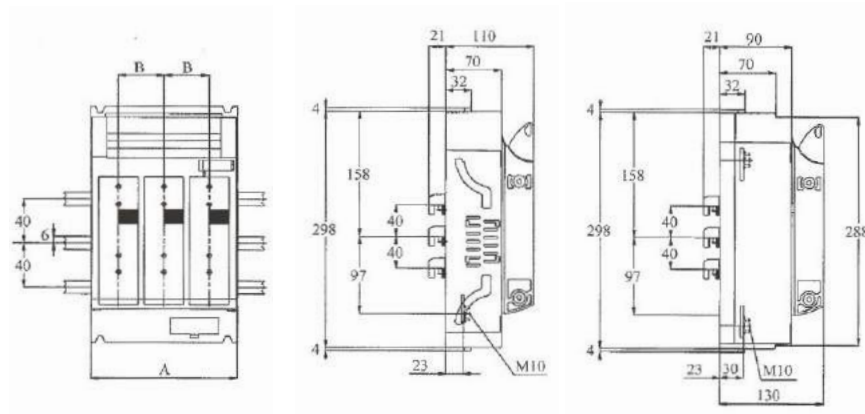
Busbar mounting Size 000



Busbar mounting Size 00



Busbar mounting Size 1-3



Size	A	B
1	184	57
2	210	65
3	250	80

Size 1

Size 2/3

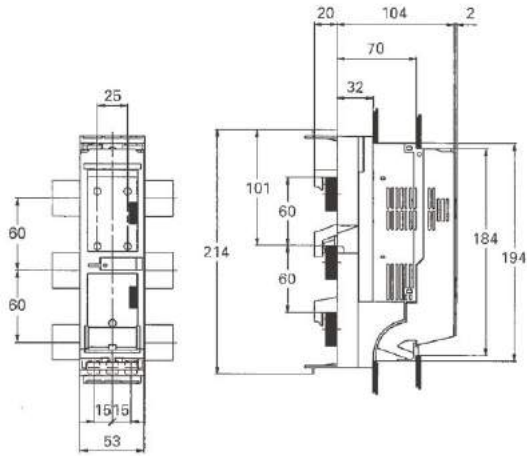
NH Fuse-Switches, horizontal design

For 60 mm busbar system

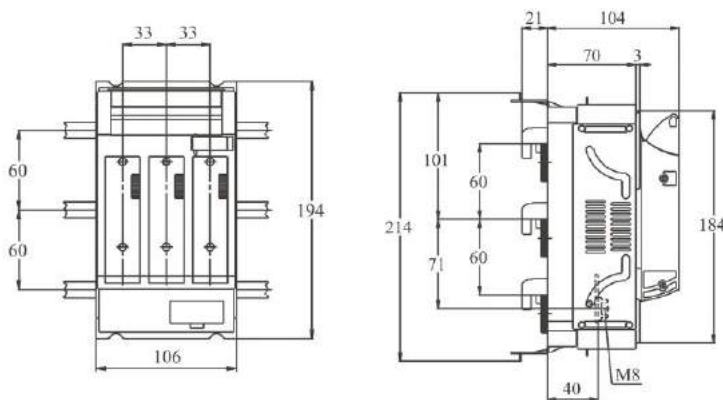
Description	Size	Amps I _n	PU	Weight in kg	Designation	Order no.
With box clamp rm/re 50 mm ² Bottom terminals	000	100 A	1	0,5	SILAS SB NH000 60 AU R4	39010-0007
With box clamp rm/re 50 mm ² Top terminals	000	100 A	1	0,5	SILAS SB NH000 60 AO R4	39011-0007
Multiple-use terminal (bolt M8)	00	160 A	1	0,8	SILAS SB NH00 60 EB70 U5	39052-0000
With box clamp rm/re 95 mm ² 32 mm installation depth	00	160 A	1	0,8	SILAS SB NH00 60 EB32 R5	39040-0000
With box clamp rm/re 95 mm ² 70 mm installation depth	00	160 A	1	0,8	SILAS SB NH00 60 EB70 R5	39050-0000
Multiple-use terminal (bolt M10)	1	250 A	1	2,2	SILAS SB NH1 60 EB70 U2	39064-0000
With box clamp rm/re 150 mm ²	1	250 A	1	2,2	SILAS SB NH1 60 EB70 R	39068-0000
Multiple-use terminal (bolt M10)	2	400 A	1	3,2	SILAS SB NH2 60 EB70 U2	39070-0000
With box clamp rm/re 300 mm ²	2	400 A	1	3,5	SILAS SB NH2 60 EB70 R	39074-0000
Multiple-use terminal (bolt M10)	3	630 A	1	3,9	SILAS SB NH3 60 EB70 U2	39080-0000
With box clamp rm/re 300 mm ²	3	630 A	1	4,1	SILAS SB NH3 60 EB70 R	39084-0000

NH Fuse-Switches

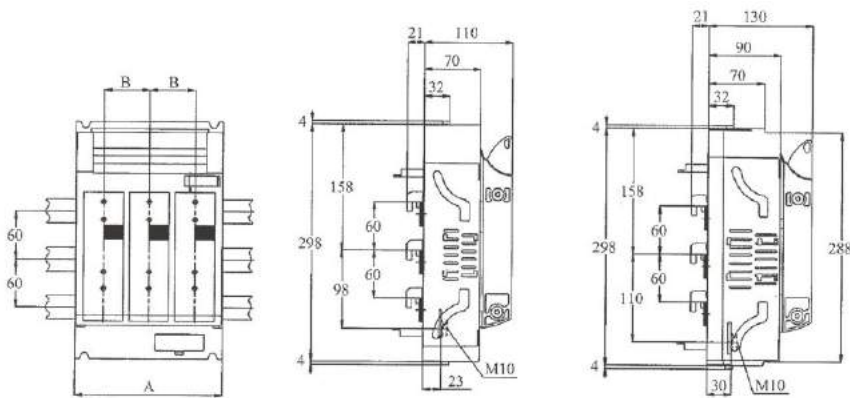
Busbar mounting Size 000



Busbar mounting Size 00



Busbar mounting Size 1 – 3



Size	A	B
1	184	57
2	210	65
3	250	80

Size 1

Size 2/3

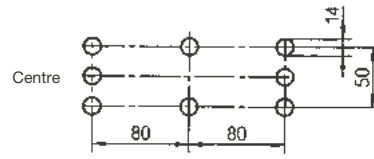
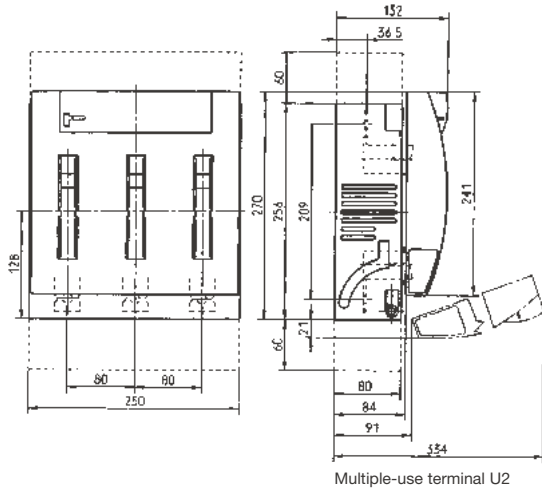
NH Fuse-Switches, horizontal design

Baseplate mounting

Description	Size	Amps I _{tn}	Designation	PU	Weight in kg	Order no.
Screw terminal M12	3	630kVA	NH-Latr 3IN 630kVA G6G6	1	3,522	34360-1000

NH Fuse-Switches, horizontal design

Dimensions drawings, size 3, 630 A



NH Fuse-Switches, horizontal design

Baseplate mounting:

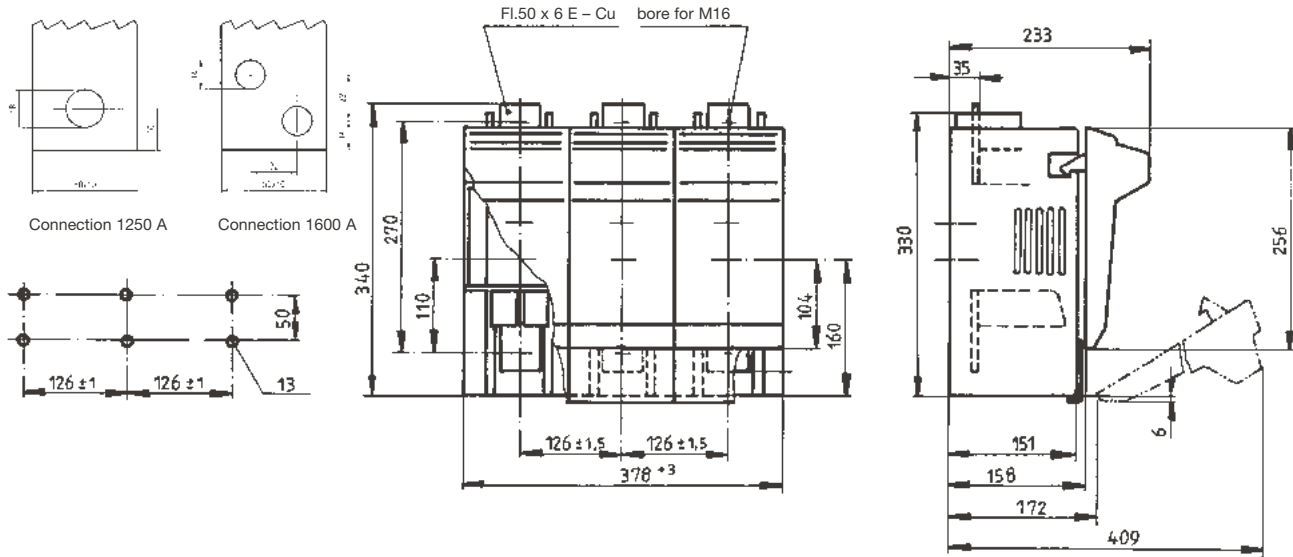
Description	Size	Amps I _{th}	Designation	PU	Weight in kg	Order no.
Screw terminal M16, top and bottom 1-pole switching 3-pole switching	4a	1250	NH-Latr 4A EP L8L8	1	12,65	34400-0000
	4a	1250	NH-Latr 4A 3P L8L8	1	12,80	34400-1010
Screw terminal 2 x M12, top and bottom 1-pole switching 3-pole switching	4a	1600	NH-Latr 4A EP 1600A L6L6	1	14,00	34400-1040
	4a	1600	NH-Latr 4A 3P 1600A L6L6	1	14,15	34400-1050

Description	Size	Amps I _{th}	Designation	PU	Weight in kg	Order no.
Multiple-use terminal (bolt M10)	3	500	NH-Latr 3 IN 1000V 500A U2U2	1	5,30	34762-1020

Description	Size	Amps I _{th}	Designation	PU	Weight in kg	Order no.
Multiple-use terminal (bolt M10)	3L	500	NH-Latr 3L IN 1500V 500A U2U2	1	5,30	34762-1010

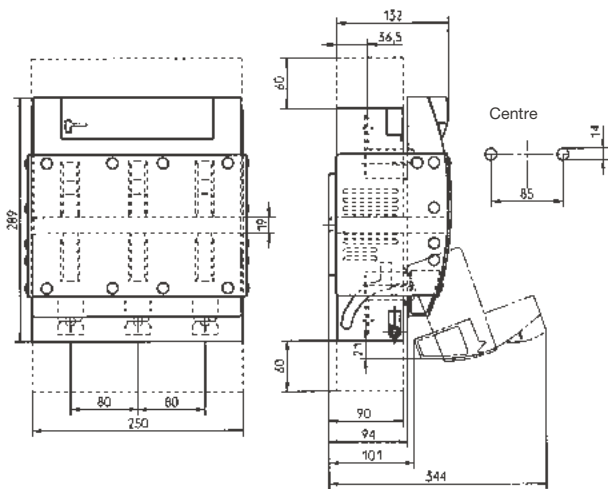
NH Fuse-Switches, horizontal design

Dimensions drawings, size 4a, 1250/1600 A, dimensions drawings 1250 A
 Connection with 60 x 10 mm bars optional

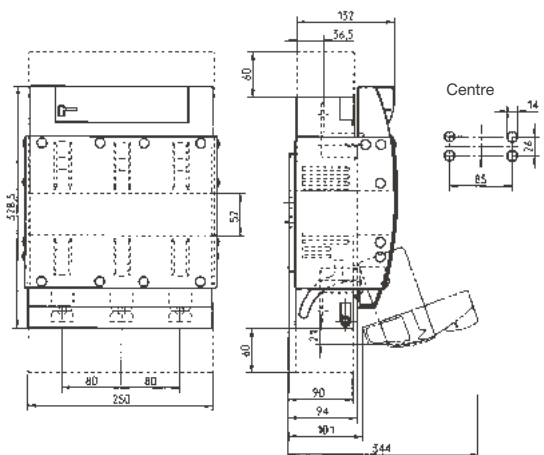


Power distribution components

Dimensions drawings, size 3, 500 A/1000 V



Size 3L, 500 A/1500 V



NH Fuse-Switches, vertical design

Busbar system, 100 mm center-to-center spacing, hook-contacting

Top terminals

Description	Size	Amps I _{th}	Designation	Terminal pos.	PU	Weight in kg	Order no.
Multiple-use terminal (bolt M10)	1	250	NH-Latr SB 1IN 100 U2K93	Top	1	2,50	39212-5000
Multiple-use terminal (bolt M10)	2	400	NH-Latr SB 2IN 100 U2K93	Top	1	3,25	39222-5000
Multiple-use terminal (bolt M10)	3	630	NH-Latr SB 3IN 100 U2K93	Top	1	5,30	39232-5000

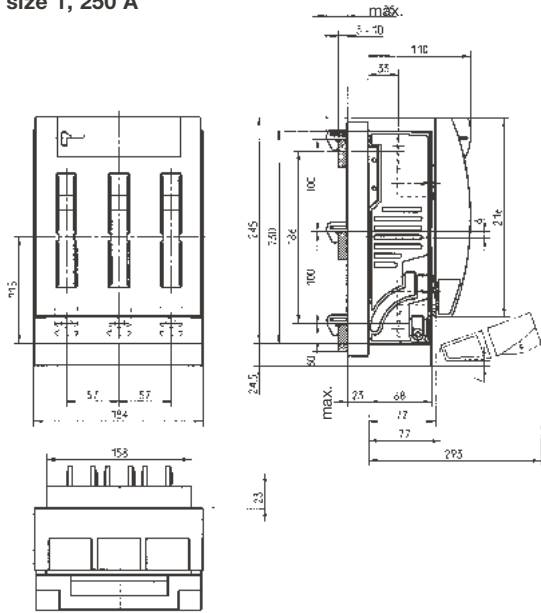
Bottom terminals

Description	Size	Amps I _{th}	Designation	Terminal pos.	PU	Weight in kg	Order no.
Multiple-use terminal (bolt M10)	1	250	NH-Latr SB 1IN 100 K93U2	Bottom	1	2,50	39212-7000
Multiple-use terminal (bolt M10)	2	400	NH-Latr SB 2IN 100 K93U2	Bottom	1	3,25	39222-7000
Multiple-use terminal (bolt M10)	3	630	NH-Latr SB 3IN 100 K93U2	Bottom	1	5,30	39232-7000

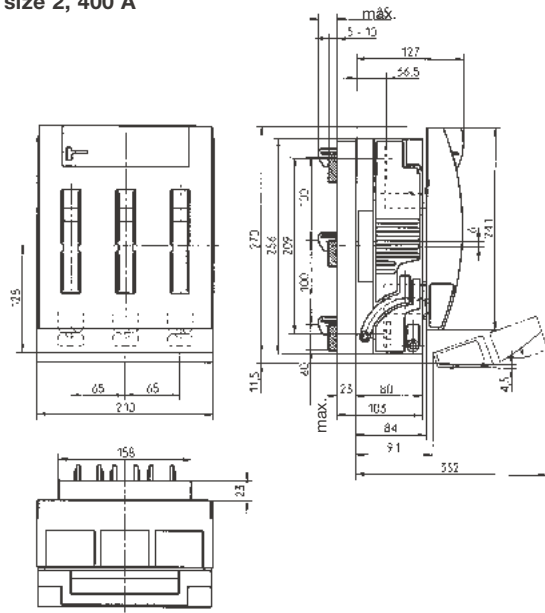
Power distribution components

NH Fuse-Switches, vertical design

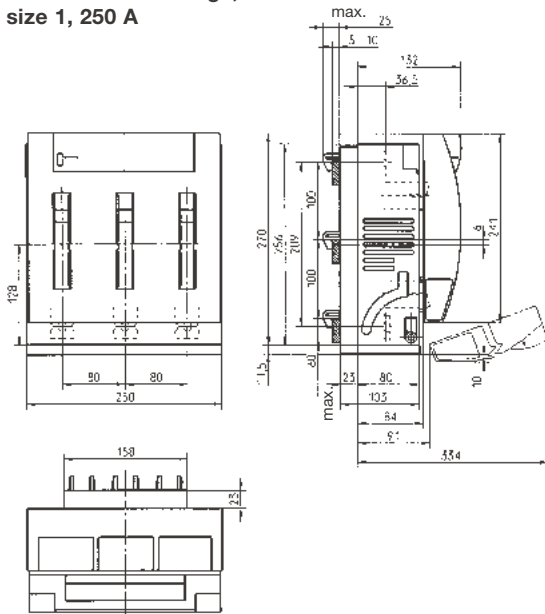
Dimensions drawings,
size 1, 250 A



Dimensions drawings,
size 2, 400 A



Dimensions drawings,
size 1, 250 A



Power distribution
components

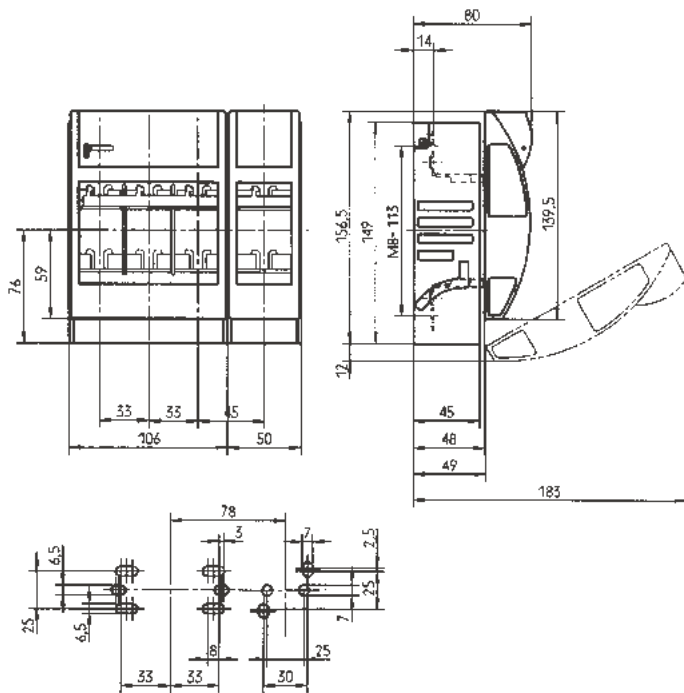
NH Fuse-Switches, horizontal design

NH Fuse-Switch, horizontal design, 4-pole, for baseplate mounting

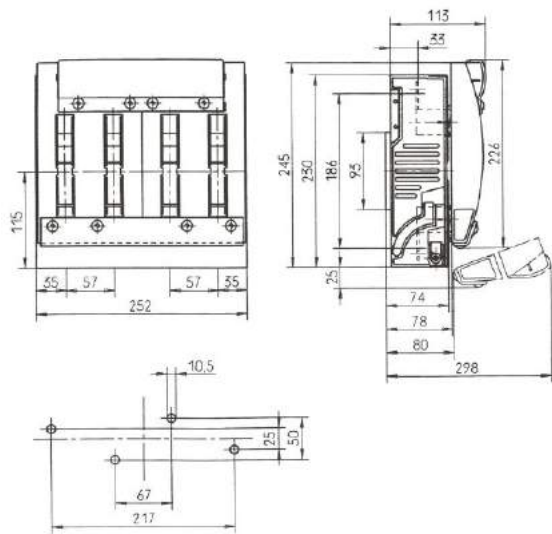
Description	Size	Amps I_{th}	Designation	PU	Weight in kg	Order no.
Screw terminal M8	00	160	NH-Latr 00IN 4P U5U5	1	0,75	34060-4000
Screw terminal M10	1	250	NH-Latr 1IN 4P U2U2	1	3,70	34162-4000
Screw terminal M10	2	400	NH-Latr 2IN 4P U2U2	1	7,70	34262-4000
Screw terminal M10	3	630	NH-Latr 3IN 4P U2U2	1	8,60	34362-4000
Screw terminal M16 1-pole switching	4a	1250	NH-Latr 4A 4P EP L8L8	1	14,00	34440-0000

NH Fuse-Switches, horizontal design

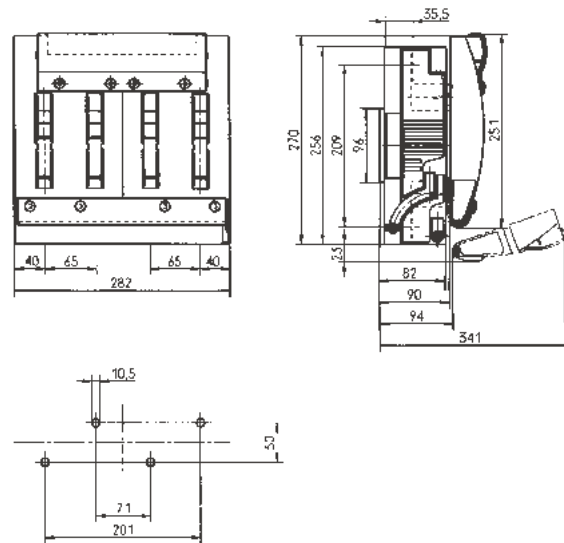
Dimensions drawings, size 00, 160 A



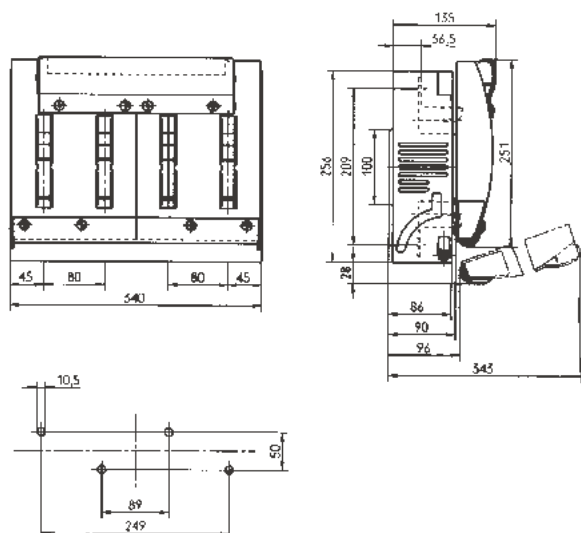
Dimensions drawings, size 1, 250 A



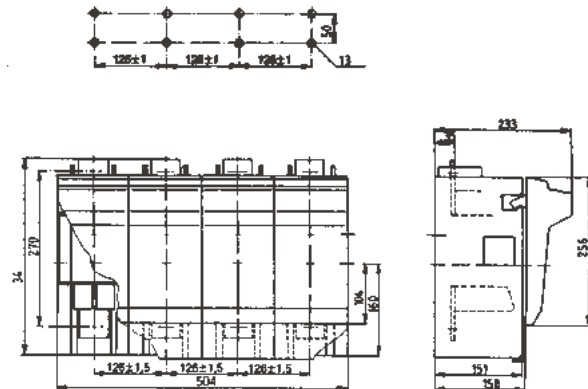
Dimensions drawings, size 2, 400 A



Dimensions drawings, size 3, 630 A



Dimensions drawings, size 4a, 1250 A



Power distribution components

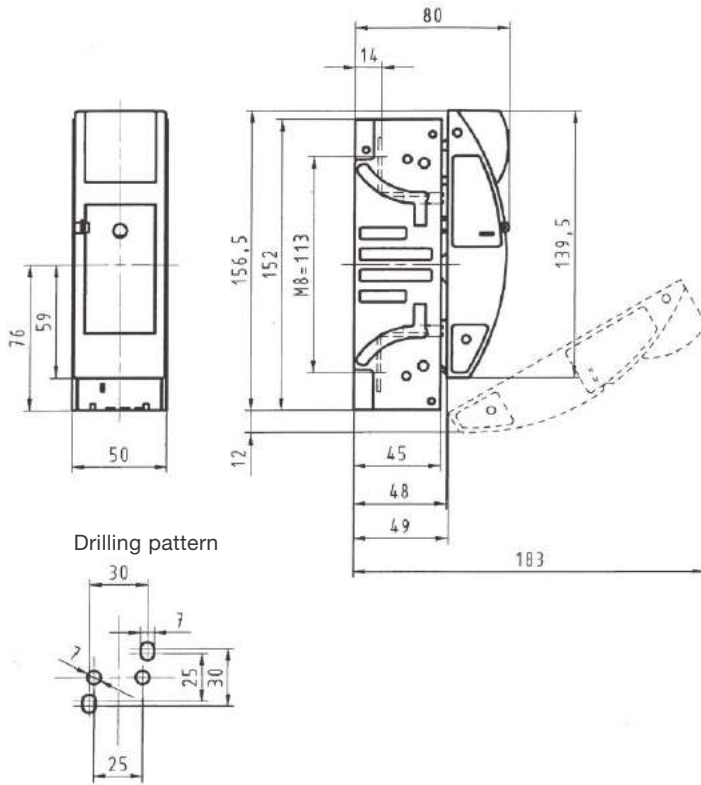
NH Fuse-Switches, horizontal design

NH Fuse-Switch, horizontal design, 1-pole, for baseplate or supporting-rail mounting

Description	Size	Amps I_{th}	Designation	PU	Weight in kg	Order no.
With multiple-use terminal (bolt M8)	00	160	NH-LATR 00IN 1P U5U5	2	0,350	33136-0010
With multiple-use terminal (bolt M8) for busbar mounting	00	160	NH-LATR 00IN 1P SB U5	2	0,350	33137-0010

NH Fuse-Switches, horizontal design

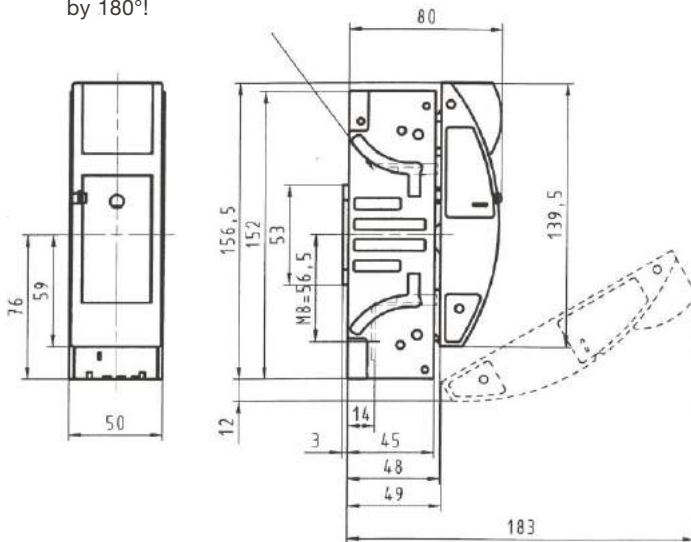
Dimensions drawings 33136-0010



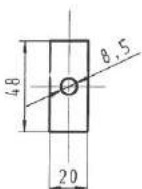
Power distribution components

Dimensions drawings 33137-0010

Top/bottom feed selectable by turning the switch frame by 180°!



Connection to busbar



DC Fuse disconnecter 10 x 38

Protection of DC photovoltaic (PV) systems against overcurrent and short-circuits

Size	10,3 x 38 mm
Rated voltage	1000 V DC
Rated current	1 to 32 A
Mechanical service life	5000 cycles
IP class	IP2X terminals
Utilization category	DC 20B
Minimum clearance	gPV
Power loss per terminal at 32 A (Pvt)	1,1 W
Compatible cylindrical caps (fuse-links)	Silver-coated copper
Compatible fuse-links	Recommendation: 55030-xxxx gPV – PV fuse-links
Note	DO NOT OPERATE UNDER LOAD

Rated voltage	Rated current	Terminal	Weight	PU	Order no.
1000 V DC	1 to 32 A	1 P	62 gr.	12	76300-0100
		1 P	62 gr.	12	76301-0100
		2 P	122 gr.	6	76300-0200
		2 P	122 gr.	6	76301-0200

Temperature	Operating temperature: - 25 °C to + 50 °C Storage temperature - 25 °C to + 80 °C
Temperature-induced power reduction	Fuse-disconnectors are designed for use at rated current at 20 °C. They are inspected with a slightly vertically inclined fuse and in a controlled environment. When using a fuse-disconnector under any other conditions, the standard data must be adjusted by respective correction factors.

Temperature correction factors

Correction factors for adjustment to ambient temperature:

Ambient temperature	20 °C	30 °C	40 °C	50 °C
Rated current	I_n	$0,95 \times I_n$	$0,90 \times I_n$	$0,80 \times I_n$

Group correction factor

Rated current reduced by factor K

If fuse-disconnectors are installed in groups, attention must be paid to their heating potential when operated at rated load. Depending on the fuse-link used, each fuse-disconnector dissipates power, possibly making the air temperature around the switch exceed the ambient temperature of the switchgear cabinet.

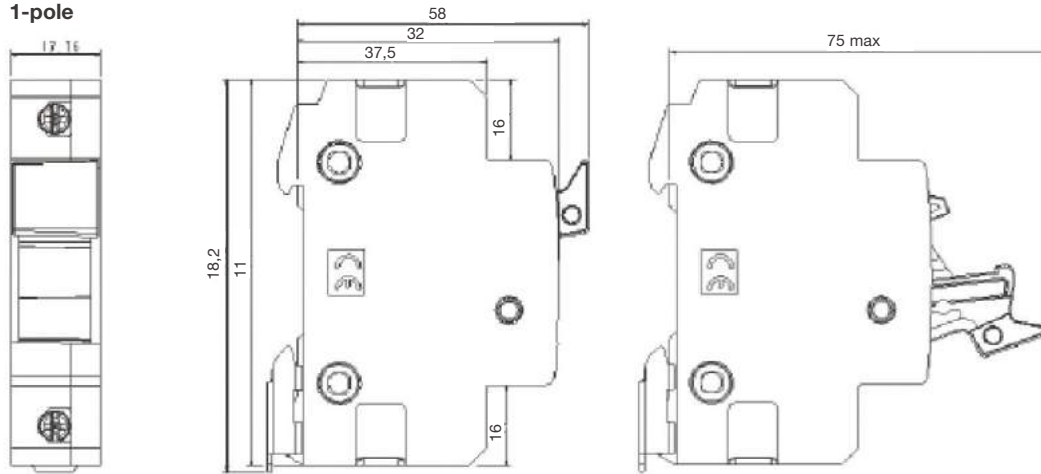
Number of units n	K (group correction factor)
$1 \leq n < 4$	1
$4 \leq n < 7$	0,8
$7 \leq n < 10$	0,7
$10 \leq n$	0,6

Installation:

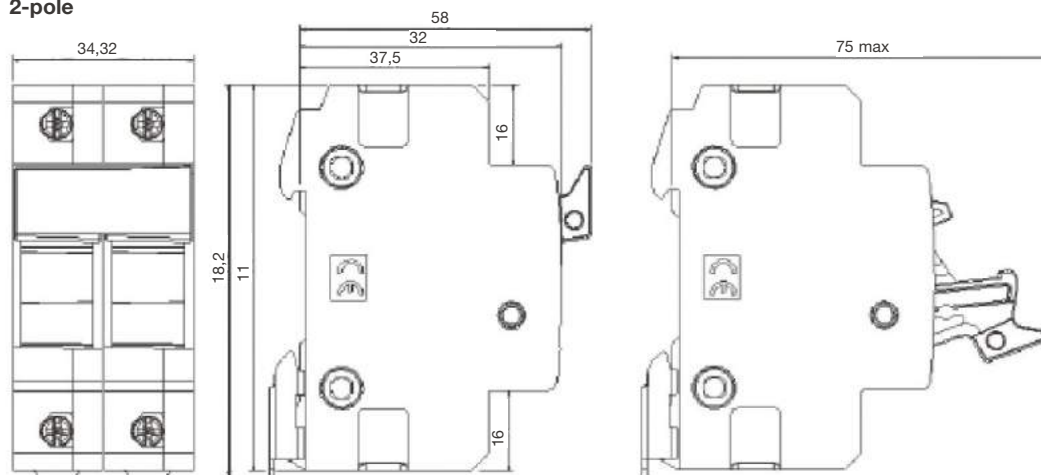
Installation	DIN busbar 50.022/-35
Rated voltage	Power supply via top and bottom terminals
Type of connection	Rigid conductors 1 to 16 mm ² Flexible conductors: 0.75 to 10 mm ²
Cables per terminal	max. 2
Terminal type	Input side = screw terminal (PZ2) Output side = screw terminal (PZ2)
Tunnel terminal	Pozidriv screw head size 2 and 5.5 mm slotted-head screw
Tightening torque:	2 Nm
Cable type	Copper for rigid and flexible conductors (with or without end sleeves)
Installation height	max. 2.000 m
Installation position	Vertical, horizontal and flat installation possible without power dissipation
DIN gripping lug	DIN bottom gripping lug, metal or plastic

DC Fuse disconnecter 10 x 38

Dimensions DC Fuse disconnecter,
1-pole



Dimensions DC Fuse disconnecter,
2-pole

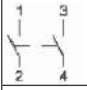
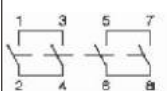
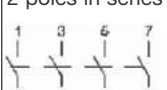
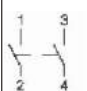
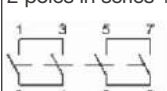
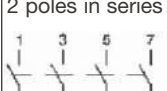


DC Disconnector

DC Disconnector 1000 V

Electrical characteristics

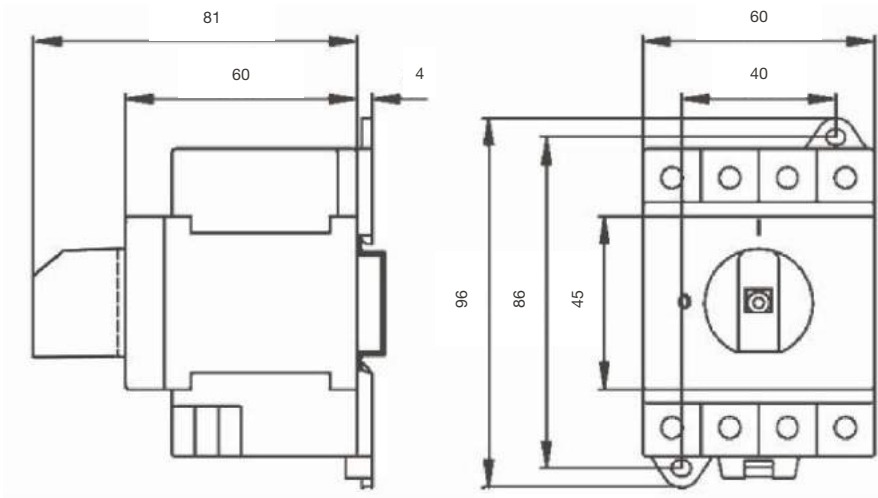
	Conventional free-air thermic current	I_{th}	32 A
	Rated insulation voltage	U_i	1000 V
	Rated impulse voltage	U_{imp}	8 kV
	Pollution degree		3

Rated current I_e		500 V DC	600 V DC	800 V DC	1000 V DC
DC21B L/R = 1 ms	2 poles in series 	32 A	32 A	23 A	13 A
	2 poles in series + 2 parallel poles 	58 A	58 A	23 A	13 A
	2 poles in series 	32 A	32 A	32 A	32 A
DC22B L/R = 2.5 ms	2 poles in series 	9 A	6,5 A	3 A	2 A
	2 poles in series + 2 parallel poles 	-	-	-	-
	2 poles in series 	32 A	27 A	12,5 A	10 A

Mechanical service life	Number of cycles	10.000
Terminals	Busbar	4 – 16 mm ²
	Cable (solid)	4 – 10 mm ²
	Cable (stranded)	4 – 10 mm ²
	Screw terminal size	M4 Pz2
	Tightening torque	1.2 – 1.8 Nm
Ambient temperature	when open	-40 to +65 °C
	when closed	-40 to +40 °C
	in storage	-50 to +90 °C
Weight		216 g

DC Disconnect

Dimensions of DC Disconnect

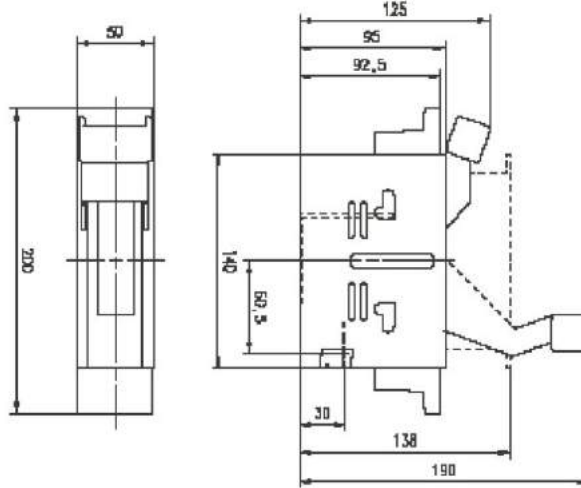
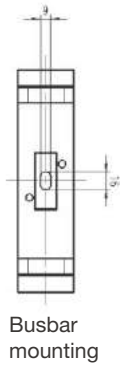
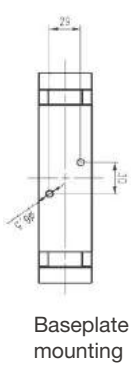


NH Fuse-Switches, horizontal design, 80 V DC

TPS Fuse-Switch

TPS 00/250

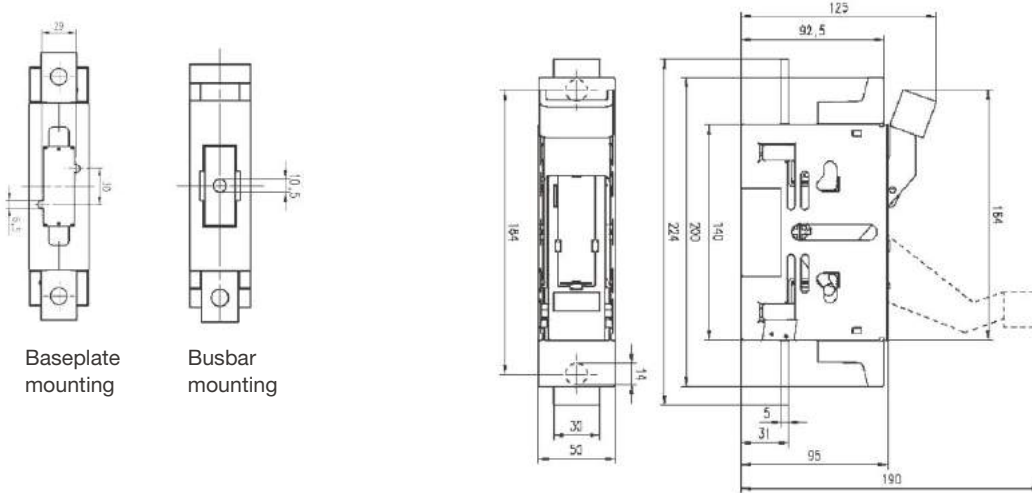
Power distribution components



NH Fuse-Switches, horizontal design, 80 V DC

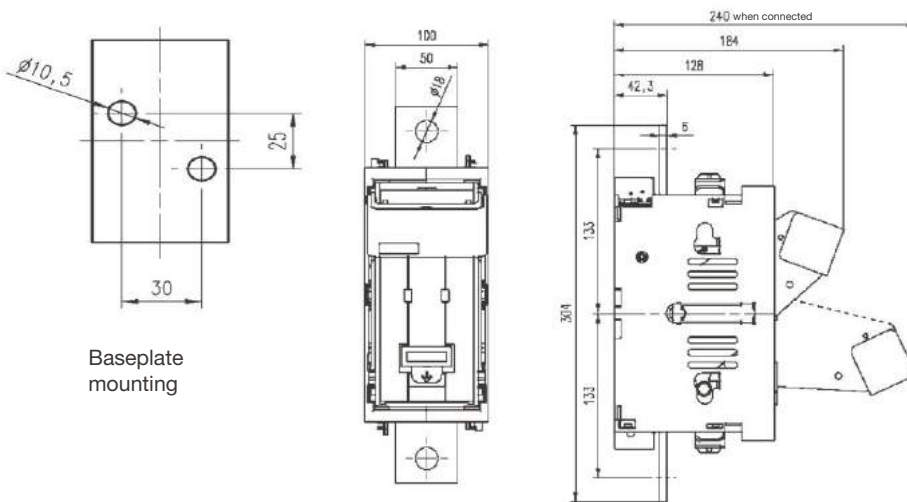
TPS Fuse-Switch

TPS 00/600

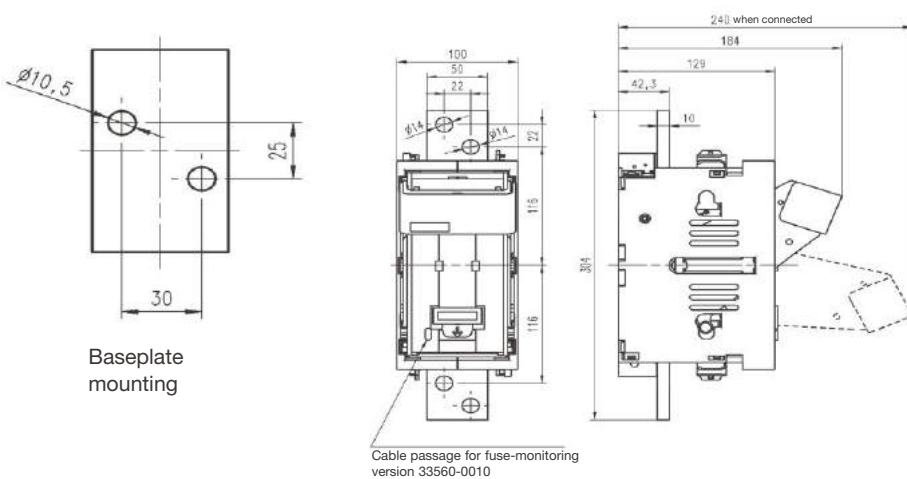


Power distribution components

TPS 2/1200



TPS 2/1600



NH Fuse-Switches, horizontal design, 550 V DC

Technical data for 1-pole NH Fuse-Switches acc. to VDE 0660 T107 / IEC/EN 60947-3

Suitable for NH fuse-links acc. to DIN 43620/11	Size	00	1	2	3	4a
Rated operating current I_e	A	160	250	400	630	1250 1600
Conventional free-air thermic current I_{th}	A	160	250	400	630	1250 1600
Rated operating voltage U_e	V	690	690	690	690	690
Rated isolation voltage U_i	V	800	800	800	800	800
Rated impulse withstand-current U_{imp}	kV	8	8	8	8	8
Conditional rated short-circuit current (when protected by NH fuse-links)	kA	50	50	50	50	50
Weight without fuse-links	kg	0,38	2,4	2,4	2,5	4,2
Utilization category acc. to VDE 0660 T107	$U_e=400$ V $U_e=690$ V $U_e=440$ V	AC-22 B AC-21 B DC-21 B	AC-22 B AC-21 B DC-21 B	AC-22 B AC-21 B DC-21 B	AC-22 B AC-21 B DC-21 B	AC-22 B AC-21 B DC-21 B
Permissible ambient temperature	°C	-40 to +55 °C				

Tightening torques for terminals and busbar contacting (Nm)

Type of connection	00	1	2	3	4a
Flat terminal	14 Nm	32 Nm	32 Nm	32 Nm	56 Nm
Multiple-use terminal U3 with pressure plate	4				
Multiple-use terminal U4 with pressure plate and contact prism	4				

NH Fuse-Switches, horizontal design, 550 V DC

NH Fuse-Switches, horizontal design, 1-pole switching, for baseplate mounting

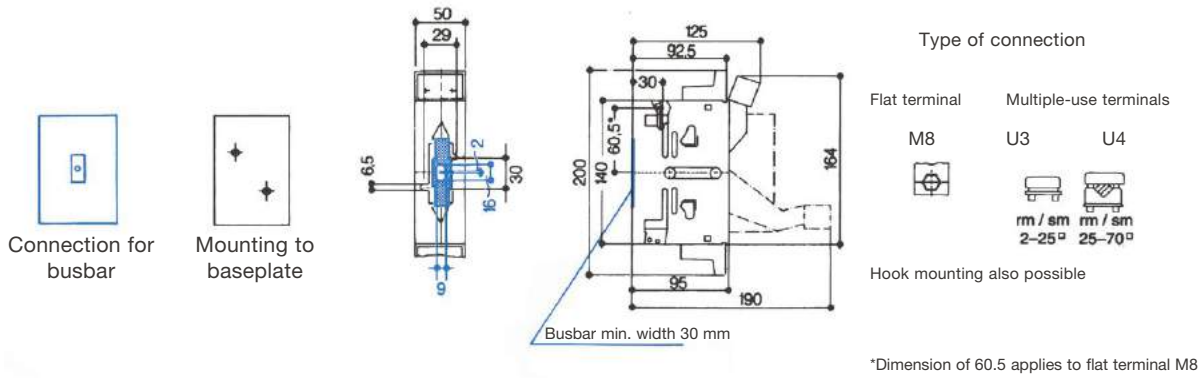
Description	Size	Amps I _n	Designation	PU	Weight in kg	Order no.
Flat terminal M8	00	160	NH-Latr. 00 1P SC G4G4	2	0,36	33107-0010
Multiple-use terminal U3 with pressure plate for 2.5 – 25 mm ²	00	125	NH-Latr. 00 1P SC U3U3	2	0,35	33108-0010
Multiple-use terminal U4 with pressure plate and contact prism for 25 – 70 mm ²	00	160	NH-Latr. 00 1P SC U4U4	2	0,38	33109-0010
Flat terminal M10	1	250	NH-Latr. 1 1P SC L5L5	2	2,03	33095-0010
Flat terminal M10	2	400	NH-Latr. 2 1P SC L5L5	2	2,03	33096-0010
Flat terminal M12	3	630	NH-Latr. 3 1P SC L6L6	2	2,22	33097-0010
Flat terminal M16	4a	1250	NH-Latr./Unt. 4a 1P L8L8	1	4,14	33047-0010
Flat terminal M12	4a	1600	NH-Latr./Unt. 4a 1P 1600 A L6L6	1	4,45	33047-0070

NH Fuse-Switches, horizontal design, 1-pole switching, for busbar mounting

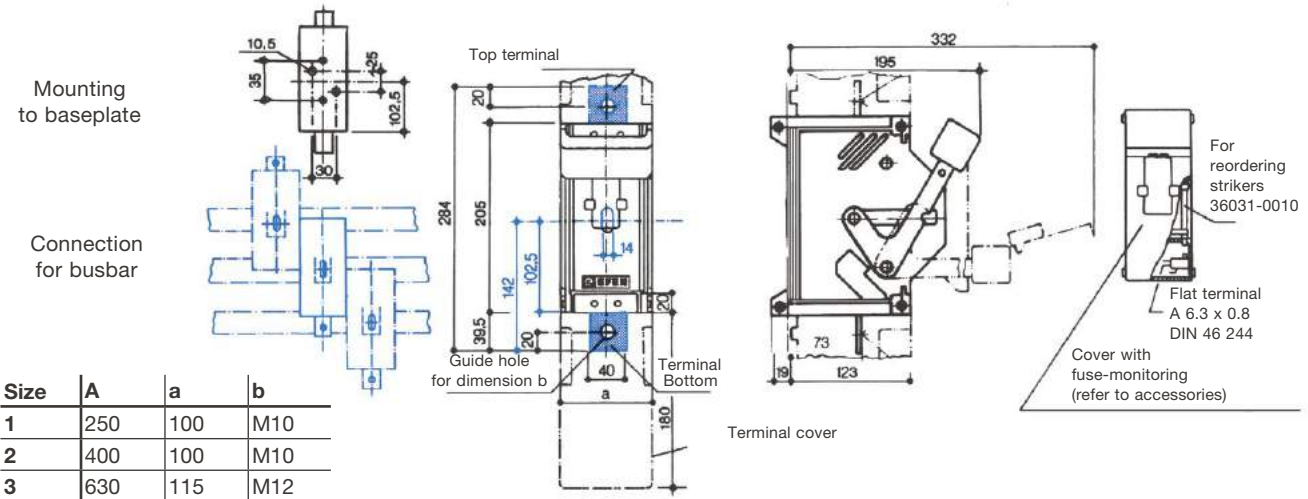
Terminal pos.	Type/Design	Size	Amps I _n	Designation	PU	Weight in kg	Order no.
Top/ bottom, can be selected during installation	Flat terminal M8	00	160	NH-Latr. 00 1P SB SC G4	2	0,38	33111-0010
	Multiple-use terminal U3 with pressure plate for 2.5 – 25 mm ²	00	125	NH-Latr. 00 1P SB SC U3	2	0,37	33112-0010
	Multiple-use terminal U4 with pressure plate and contact prism for 25 – 70 mm ²	00	160	NH-Latr. 00 1P SB SC U4	2	0,38	33113-0010
Top	Flat terminal M10	1	250	NH-Latr. 1 1PO SB SC L5	2	1,68	33098-0020
	Flat terminal M10	2	400	NH-Latr. 2 1PO SB SC L5	2	1,69	33099-0020
	Flat terminal M12	3	630	NH-Latr. 3 1PO SB SC L6	2	1,79	33100-0020
	Flat terminal M16	4a	1250	NH-Latr./Unt. 4a 1POSB L8	1	4,10	33048-0020
	Flat terminal M12	4a	1600	NH-LATR/UNT 4A 1PU SB 1600 A L6	1	4,35	33048-0030
Bottom	Flat terminal M10	1	250	NH-Latr. 1 1PU SB SC L5	2	1,68	33098-0010
	Flat terminal M10	2	400	NH-Latr. 2 1PU SB SC L5	2	1,70	33099-0010
	Flat terminal M12	3	630	NH-Latr. 3 1PU SB SC L6	2	1,80	33100-0010
	Flat terminal M16	4a	1250	NH-Latr./Unt. 4a 1PU SB L8	1	4,09	33048-0010
	Flat terminal M12	4a	1600	NH-LATR/UNT 4A 1PO SB 1600 A L6	1	4,35	33048-0040

NH Fuse-Switches, horizontal design, 550 V DC

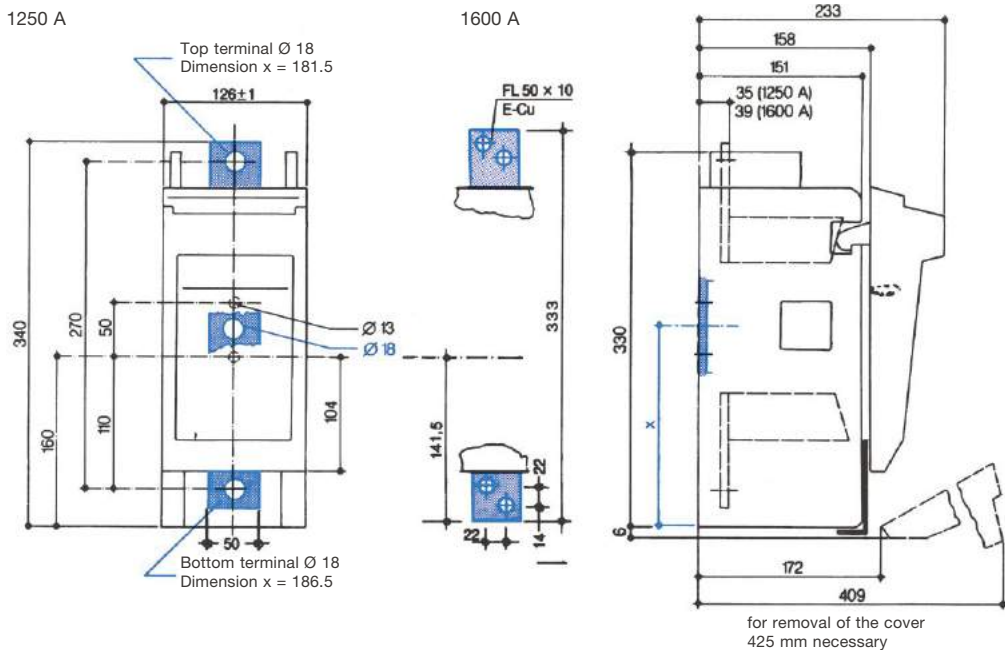
NH Fuse-Switch, horizontal design, size 00: 125/160 A



NH Fuse-Switch, horizontal design, size 1 – 3 250 A, 400 A, 630 A



NH Fuse-Switches, size 4a: 1250 A, 1600 A



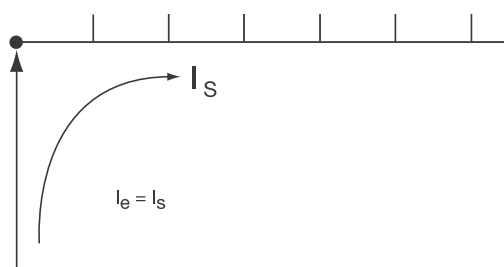
Feeding devices Accessories

Technical data acc. to DIN EN 60947-1 VDE 0660 T100 / IEC 60947-1:2004 for size 000, narrow version and size 00

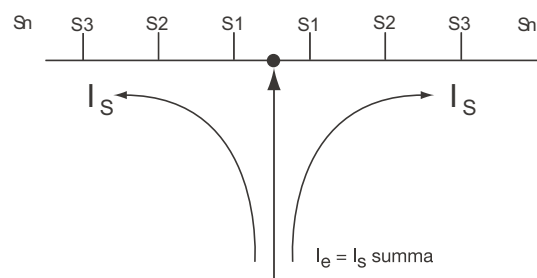
Description		
Materials	Busbar	E – Cu 58 F25
	Insulation	PC/ABS extruded – light gray RAL 7035
	End cap	PC/ABS injection-molded – light gray RAL 7035
	Terminal cover	PA66 V0 injection-molded – light gray RAL 7035
Temperature resistance	PC/ABS extruded	VST B 120 – ISO 306 = 113°C-UL94-VO/1,5
	PC/ABS injection-molded	VST B 120 – ISO 306 = 138°C – UL94-V01,6
Insulation coordination	Overvoltage category III / pollution degree 2	
Electric strength	PC / ABS	> 32 kV / mm
Impulse-withstand voltage	= / > 6,0kV (1kV/mmLS)	
Minimum air gap	> 8 mm	
Minimum creepage distance	> 8,5 mm	
Maximum operating voltage	690 V AC / 440 V DC	
Rated operating voltage	415 V	
Short-circuit resistance	12,5 kA – 100 ms / 400 V	

Resistance at 35 °C ambient temperature and depending on feed point

Busbar block length (m)	Max. 1	Max. 0,3
Busbar cross-section	35 mm ²	35 mm ²
Feed connected at busbar start or end	125 A	200 A
Maximum Max. busbar current I_s/phase	125 A	200 A
Connection cross-section	35 mm ²	2x35 mm ²
Feed connected at any other position		
Maximum Max. busbar current I_s/phase	160 A	260 A
Connection cross-section	2x35 mm ²	95 mm ²
Feeding devices for size 000	-	2 - 5
Feeding devices for size 00	4 – 5 fach	2 - 3



Feed connected at busbar start or end



Feed connected at any other position

Note: If the feed is connected at the center of the busbar, the total outgoing current S1.....S_n of each busbar branch must not exceed the maximum busbar current I_s/phase stated above.



NH Fuse-Switches, vertical design and Fuse-Rails

As a specialist for safety interfaces, EFEN offers a proven assortment of NH Fuse-Switches, vertical-design and Fuse-Rails in various series with many options and versions for customer-oriented solutions.

System

The vertical-design NH fuse-switches of the **E³** series have been developed to meet all current and future needs of the modern power industry.

The series has been developed with a special focus on the responsible handling of energy as a resource. The ease of installation sets standards when installing and connecting. Excellent electric parameters such as 120 kA short-circuit resistance complement the product.

Features

All components are made of high-quality materials. Full range of accessories for monitoring and controlling provides the user with various options. They can be retrofitted at all times.

Mounting without drilling is equally possible at all times. There are various locking and park-position options to ensure safety.



NH Fuse-Switches, vertical design and Fuse-Rails

NH Fuse-Switches, vertical design	
3-pole switching, for 60 mm busbar systems	page 182
for 100 mm busbar systems	page 182
for 185 mm busbar systems	page 183
NH Fuse-Switches, vertical design	
1-pole switching, for 100 mm busbar systems	page 187
for 185 mm busbar systems	page 187
NH Fuse-Rails for 100 mm busbar systems	page 191
for 185 mm busbar systems	page 191
Accessories	page 192
Technical data	page 206
Solutions for measurement and power management	page 351

E³ NH Fuse-Switches, vertical-design and Fuse-Rails



NH Fuse-Switch, vertical design 630 kVA



Multiple connection options



NH Fuse-Switch, vertical design, size 4a, 1-pole switching



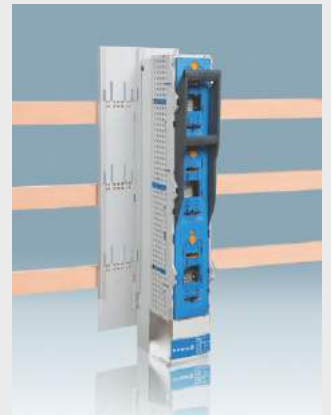
Multifunctional device carrier



NH Fuse-Rail EDURO Series



Touch protection system IP2X



E³ NH Fuse-Switches, vertical design, 3-pole switching for 60 mm and 100 mm systems

► Technical data, page 210



38044-0020

E³ NH Fuse-Switches, vertical design, size 00/60, 3-pole switching, 160 A, for 60 mm busbar systems with hook contacting

Features:

- With reversible mounting hook
- Various connection options

Designation	Size	Amps	PU	Product designation	Order no.
With multiple-use terminal (bolt M8)	00/60	160	1	E ³ NH-LA-LEI 00/60 3P U5	38044-0020
With box clamp 95 mm ²	00/60	160	1	E ³ NH-LA-LEI 00/60 3P R5	38046-0020

Power distribution components



38054-0020

E³ NH Fuse-Switches, vertical design, size 00/100, 3-pole switching, 160 A, for 100 mm busbar mounting

Features:

- Various connection options
- Ready for current transformer
- Top or bottom terminals selectable

Designation	Size	Amps	PU	Product designation	Order no.
With multiple-use terminal (bolt M8), for hook-mounting, hook included	00/100	160	1	E ³ NH-La-Lei 00/100 3P Bh U5	38054-0020
With box clamp 95 mm ² , for hook-mounting, hooks included	00/100	160	1	E ³ NH-La-Lei 00/100 3P Bh R5	38056-0020
With multiple-use terminal (bolt M8), for transformer installation	00/100	160	1	E ³ NH-LA-LEI 00/100 3P WV U5	38054-0050
With box clamp 95 mm ² , for transformer installation	00/100	160	1	E ³ NH-LA-LEI 00/100 3P WV R5	38056-0050

E³ NH Fuse-Switches, vertical design, 3-pole switching for 185 mm busbar systems

► Technical data, page 211



38064-0020

E³ NH Fuse-Switches, vertical design, size 00/185, 3-pole switching, 160 A, for 185 mm busbar mounting

Features:

- Direct mounting
- Variant with elevated feed bracket at 150 mm installation depth
- Variant for installation of PSR 203 current transformers

Designation	Size	Amps	PU	Product designation	Order no.
With multiple-use terminal (bolt M8), for hook-mounting	00/185 160	160	1	E ³ NH-La-Lei 00/185 3P U5	38064-0020
With box clamp 95 mm ² , for hook-mounting	00/185 160	160	1	E ³ NH-La-Lei 00/185 3P R5	38066-0020
V-terminal (not including V-clamps)	00/185 160	160	1	E ³ NH-La-Lei 00/185 3P SWP V2	38065-0021
With multiple-use terminal (bolt M8), elevated feed bracket adjacent to size 1 – 3	00/185 160	160	1	E ³ NH-LA-LEI 00/185 3P Eh5 U5	38064-0070
With box clamp 95 mm ² , with elevated feed bracket for direct mounting adjacent to size 1 – 3	00/185 160	160	1	E ³ NH-LA-LEI 00/185 3P Eh5 R5	38066-0070
With multiple-use terminal (bolt M8), elevated feed bracket adjacent to size 1 – 3, ready for PSR 203 transformer installation	00/185 160	160	1	E ³ NH-LA-LEI 00/185 3P WV EH5 U5	38064-0090
With box clamp 95 mm ² , with elevated feed bracket for direct mounting adjacent to size 1 – 3, ready for PSR 203 transformer installation	00/185 160	160	1	E ³ NH-LA-LEI 00/185 3P WV EH5 R5	38066-0090



38016-0020

E³ NH Fuse-Switches, vertical design, size 1 to 3, 3-pole switching, for 185 mm busbar systems

Designation	Size	Amps	PU	Product designation	Order no.
With multiple-use terminal (bolt M12)	1	250	1	E ³ NH-LA-LEI 1 3P U6	38016-0020
With multiple-use terminal (bolt M12)	2	400	1	E ³ NH-LA-LEI 2 3P U6	38026-0020
With multiple-use terminal (bolt M12)	3	630	1	E ³ NH-LA-LEI 3 3P U6	38036-0020
With V2N terminal (not including clamps)	1	250	1	E ³ NH-LA-LEI 1 3P V2N	38015-0020
With V2N terminal (not including clamps)	2	400	1	E ³ NH-LA-LEI 2 3P V2N	38025-0020
With V2N terminal (not including clamps)	3	630	1	E ³ NH-LA-LEI 3 3P V2N	38035-0020



38070-0730

E³ NH Fuse-Switches, vertical design, size 3, 3-pole switching, for 185 mm busbar systems, 910 A

Designation	Size	Amps	PU	Product designation	Order no.
Screw terminal 3 x 185 mm ²	3	910	1	E ³ NH-La-Lei 3 910A 3P 3x185mm ²	38070-0670
Screw terminal M12 rear, horizontal	3	910	1	E ³ NH-La-Lei 3 910A 3Phh L6	38070-0730
Special screw terminal M16 and M12	3	910	1	E ³ NH-La-Lei 3 910A 3PHg L8L6	38070-0770
Screw terminal M12	3	910	1	E ³ NH-La-Lei 3 910A 3P S6S6	38070-0790



38010-0160

E³ NH Fuse-Switches, vertical design, size 1 – 3, 3-pole switching, as coupling unit for connecting 2 busbar systems

Designation	Size	Amps	PU	Product designation	Order no.
Size 1, 3-pole switching	1	250	1	E ³ NH-LA-LEI 1 3P KI	38010-0160
Size 2, 3-pole switching	2	400	1	E ³ NH-LA-LEI 2 3P KI	38020-0160
Size 3, 3-pole switching	3	630	1	E ³ NH-LA-LEI 3 3P KI	38030-0160

E³ NH Fuse-Switches, vertical design, 3-pole switching for 185 mm busbar systems

► Technical data, page 230

Power distribution components



38036-0180

E³-NH Fuse-Switch, vertical design, size 3, 3-pole switching for parallel operation of 2 NH Fuse-Switches

Features:

- Terminal: four M12 bolts
- For other types please inquire
- Precise split of the current flow by pre-assembled terminals

Designation	Size	Amps	PU	Product designation	Order no.
E ³ -NH fuse-switch, vertical design, for parallel operation of 2 NH fuse-switches (twinning kit), terminal M12	3	1260	1	E ³ NH-LA-LEI 3 3P Zw U6	38036-0180



38036-0080

E³ NH Fuse-Switches, vertical design, size 3, 3-pole switching with fixed 1000 A solid-links as feed switch

Features:

- Top or bottom terminal
- Two M12 screw terminals

Designation	Size	Amps	PU	Product designation	Order no.
Feed switch 1000 A with fixed solid-link	3	1000	1	E ³ NH-LA-TR-LEI 1000A 3P U6	38036-0080



38030-0220

E³ NH Fuse-Switches, vertical design, for connecting 2 busbar systems, 3-pole, with fixed 1000 A solid-link

Designation	Size	Amps	PU	Product designation	Order no.
Incoming switch with integrated solid-link, for busbar isolation, internal terminal	3	1000	1	E ³ NH-LA-TR-LEI 1000A 3P KL	38030-0220
Incoming switch with integrated solid-link, for busbar isolation, terminal on the right-hand side, for current transformer installation	3	1000	1	E ³ NH-LA-TR-LEI 1000A 3P KL2	38030-0240



Internal terminal



Lateral terminal

E³ NH Fuse-Switches, vertical design, 3-pole switching for 185 mm busbar systems

► Technical data, page 236



38034-0300

E³ NH Fuse-Switches, vertical design, size 3, 3-pole switching, with fixed 1000-A solid-link for 2000 A

Designation	Size	Amps	PU	Product designation	Order no.
Multiple-use terminal (bolt M12)	3	2000	1	E ³ NH-LA-TR-LEI 2x1000A 3P Zw U6	38036-0300
Coupling unit, supported on left-hand side	3	2000	1	E ³ NH-LA-TR-LEI 2000A 3P KL2	38030-0350



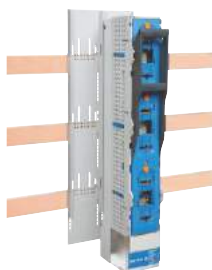
38016-0460

E³ NH Fuse-Switches, vertical design, size 1 to 3, 3-pole switching, for 185 mm busbar systems, high performance

Features:

- 20 % less power dissipation
- 120 kA short-circuit resistance
- Excellent economic efficiency

Designation	Size	Amps	PU	Product designation	Order no.
With multiple-use terminal (bolt M12)	1	250	1	E ³ NH-LA-LEI 1 3P HP U6	38016-0460
With multiple-use terminal (bolt M12)	2	400	1	E ³ NH-LA-LEI 2 3P HP U6	38026-0460
With multiple-use terminal (bolt M12)	3	630	1	E ³ NH-LA-LEI 3 3P HP U6	38036-0460



Example for IP2X application

E³ NH Fuse-Switches, vertical design, for IP2X applications

Designation	Size	Amps	PU	Product designation	Order no.
E ³ NH-LA-LEI 00/185 1P Bh IP20 U5	00/185	160	1	E ³ NH-LA-LEI 00/185 1P Bh IP20 U5	38064-0500
E ³ NH-LA-LEI 00/185 3P Bh IP20 U5	00/185	160	1	E ³ NH-LA-LEI 00/185 3P Bh IP20 U5	38064-0520
E ³ NH-LA-LEI 1 3P IP20 U6	1	250	1	E ³ NH-LA-LEI 1 3P IP20 U6	38016-0520
E ³ NH-LA-LEI 2 3P IP20 U6	2	400	1	E ³ NH-LA-LEI 2 3P IP20 U6	38026-0520
E ³ NH-LA-LEI 3 3P IP20 U6	3	630	1	E ³ NH-LA-LEI 3 3P IP20 U6	38036-0520
Busbar cover IP20	00-3		1	Sammelschienenabdeckung IP20	36329-0010
Feeding clamp IP2X V2MD 240sm / 300rm	00-3		3	Einspeiseklemme IP2X V2MD 240sm/300rm	36846-0040

NH Fuse-Switches, vertical design, 3-pole switching, for 185 mm busbar systems

► Technical data, page 238



38300-1275

NH Fuse-Switches, vertical design, size 3, 3-pole switching, 630 kVA, NTSL series

Designation	Size	Amps	PU	Product designation	Order no.
Screw terminal M12, bottom terminal, 3-pole switching	3	630kVA	1	NH-LA-LEI 3 3PU 630KVA VE SM ST GG L6	38300-1275
Screw terminal M12, top terminal, 3-pole switching	3	630kVA	1	NH-LA-LEI 3 3PO 630KVA VE SM ST GG L6	38350-1275
Special terminal for 60 mm busbars, top terminal, 3-pole switching	3	630kVA	1	NH-LA-LEI 3 3PO 630KVA SV L8 (L6)	38350-1595
Screw terminal M12, rear terminal, 3-pole switching	3	630kVA	1	NH-LA-LEI 3 3PH 630KVA VE GG S6	38374-1495

Power distribution components

E³ NH Fuse-Switches, vertical design, 1-pole switching, for 100 mm and 185 mm busbar systems

► Technical data, page 210



38054-0000

E³ NH Fuse-Switches, vertical design, size 00/100, 1-pole switching, 160 A, for 100 mm busbars

Features:

- Various connection options
- Ready for current transformer
- Top or bottom terminals selectable

Designation	Size	Amps	PU	Product designation	Order no.
With multiple-use terminal (bolt M8), for hook-mounting, hook included	00/100 160	160	1	E ³ NH-LA-Lei 00/100 1P Bh U5	38054-0000
With box clamp 95 mm ² , for hook-mounting, hooks included	00/100 160	160	1	E ³ NH-LA-LEI 00/100 1P R5	38056-2000
With multiple-use terminal (bolt M8), for transformer installation	00/100 160	160	1	E ³ NH-LA-LEI 00/100 1P WV U5	38054-0040
With box clamp 95 mm ² , for transformer installation	00/100 160	160	1	E ³ NH-LA-LEI 00/100 1P WV R5	38056-0040



38064-0060

E³ NH Fuse-Switches, vertical design, size 00/185, 1-pole switching, 160 A, for 185 mm busbars

Features:

- Direct mounting
- Variant with elevated feed bracket at 150 mm installation depth
- Variant for installation of PSR 203 current transformers

Designation	Size	Amps	PU	Product designation	Order no.
With multiple-use terminal (bolt M8), f or hook-mounting	00/185 160	160	1	E ³ NH-La-Lei 00/185 1P U5	38064-0000
With box clamp 95 mm ² , for hook-mounting	00/185 160	160	1	E ³ NH-La-Lei 00/185 1P R5	38066-0000
With V2 terminal (not including clamps)			1	E ³ NH-La-Lei 00/185 1P SWP V2	38065-0001
With multiple-use terminal (bolt M8), elevated feed bracket adjacent to size 1 – 3	00/185 160	160	1	E ³ NH-LA-LEI 00/185 1P Eh5 U5	38064-0060
With box clamp 95 mm ² , with elevated feed bracket for direct mounting adjacent to size 1 – 3	00/185 160	160	1	E ³ NH-LA-LEI 00/185 1P Eh5 R5	38066-0060
With multiple-use terminal (bolt M8), with elevated feed bracket for direct mounting adjacent to size 1 – 3, ready for PSR 203 transformer installation	00/185 160	160	1	E ³ NH-LA-LEI 00/185 1P WV EH5 U5	38064-0080
With box clamp 95 mm ² , with elevated feed bracket for direct mounting adjacent to size 1 – 3, ready for PSR 203 transformer installation	00/185 160	160	1	E ³ NH-LA-LEI 00/185 1P WV EH5 R5	38066-0080

E³ NH Fuse-Switches, vertical design, 1-pole switching, for 185 mm busbar systems

► Technical data, page 214

Power distribution components



38016-0000

E³ NH Fuse-Switches, vertical design, size 1 – 3, 3-pole switching, for 185 mm busbar systems

Designation	Size	Amps	PU	Product designation	Order no.
With multiple-use terminal (bolt M12)	1	250	1	E ³ NH-LA-LEI 1 1P U6	38016-0000
With multiple-use terminal (bolt M12)	2	400	1	E ³ NH-LA-LEI 2 1P U6	38026-0000
With multiple-use terminal (bolt M12)	3	630	1	E ³ NH-LA-LEI 3 1P U6	38036-0000
With V2N terminal (not including clamps)	1	250	1	E ³ NH-LA-LEI 1 1P V2N	38015-0000
With V2N terminal (not including clamps)	2	400	1	E ³ NH-LA-LEI 2 1P V2N	38025-0000
With V2N terminal (not including clamps)	3	630	1	E ³ NH-LA-LEI 3 1P V2N	38035-0000



38036-0600

E³ NH Fuse-Switches, vertical design, size 1 – 3, 1-pole switching, with flush handle

Features:

- For 168 mm installation depth

Designation	Size	Amps	PU	Product designation	Order no.
With multiple-use terminal (bolt M12)	1	250	1	E ³ NH-LA-LEI 1 1P Fb U6	38016-0600
With multiple-use terminal (bolt M12)	2	400	1	E ³ NH-LA-LEI 2 1P Fb U6	38026-0600
With multiple-use terminal (bolt M12)	3	630	1	E ³ NH-LA-LEI 3 1P Fb U6	38036-0600

NH Fuse-Switches, vertical design, 1-pole switching, for 185 mm busbar systems

► Technical data, page 234



38400-0000

NH Fuse-Switches, vertical design, size 4a, 1-pole switching, for 185 mm busbar systems

Designation	Size	Amps	PU	Product designation	Order no.
Bottom terminals, screw terminal M16	4a	1250	1	NH-LA-LEI 4A 1PU L8	38400-0000
Top terminals, screw terminal M16	4a	1250	1	NH-LA-LEI 4A 1PO L8	38450-0000
Bottom terminals, screw terminal 2 x M12	4a	1600	1	NH-LA-LEI 4A 1PU 1600A L6	38400-0020
Top terminals, screw terminal 2 x M12	4a	1600	1	NH-LA-LEI 4A 1PO 1600A L6	38450-0020



38070-0760

E³ NH Fuse-Switches, vertical design, size 3, 1-pole switching, for 185 mm busbar systems, 910 A

Designation	Size	Amps	PU	Product designation	Order no.
Screw terminal M12 rear side, horizontal	3	910	1	E ³ NH-La-Lei 3 910A 1Phh L6	38070-0720
Special screw terminal M16 and M12	3	910	1	E ³ NH-La-Lei 3 910A 1PHg L8L6	38070-0760
Screw terminal M12	3	910	1	E ³ NH-La-Lei 3 910A 1P S6S6	38070-0780
Screw terminal M16, rear side, elevated bracket	3	910	1	E ³ NH-La-Lei 3 910A 1Phhw L8	38070-0830
Screw terminal rear side, upper left-hand side	3	910	1	E ³ NH-La-Lei 3 910A 1PhwLO	38077-0820



38300-1235

NH Fuse-Switches, vertical design, size 3, 1-pole switching, 630 kVA, NTSL series

Designation	Size	Amps	PU	Product designation	Order no.
Screw terminal M12, bottom terminal, 1-pole switching	3	630kVA	1	NH-LA-LEI 3 1PU 630KVA VE SM ST GG L6	38300-1235
Screw terminal M12, top terminal, 1-pole switching	3	630kVA	1	NH-LA-LEI 3 1PO 630KVA VE SM ST GG L6	38350-1235
Screw terminal M12, rear terminal, 1-pole switching	3	630kVA	1	NH-LA-LEI 3 1PH 630KVA VE GG S6	38374-1465

E³ NH Fuse-Switches, size 1-3, 1-pole switching, for 185 mm busbar systems, feed switches and parallel switches, coupling units

Features:

- Both terminals internal
- Busbar isolation at device center
- No space lost

Designation	Size	Amps	PU	Product designation	Order no.
Size 1, 1-pole switching	1	250	1	E ³ NH-LA-LEI 1 1P KI	38010-0150
Size 2, 1-pole switching	2	400	1	E ³ NH-LA-LEI 2 1P KI	38020-0150
Size 3, 1-pole switching	3	630	1	E ³ NH-LA-LEI 3 1P KI	38030-0150



38036-0170

E³ NH Fuse-Switches, vertical design, size 3, 1-pole switching for parallel operation of 2 NH Fuse-Switches

Features:

- Terminal: four M12 bolts
- For other types please inquire
- Precise split of the current flow by pre-assembled terminals

Designation	Size	Amps	PU	Product designation	Order no.
E ³ -NH fuse-switch, vertical design, for parallel operation of 2 NH fuse-switches (twinning kit), terminal M12	3		1	E ³ NH-LA-LEI 3 1P Zw U6	38036-0170

E³ NH Fuse-Switches, vertical design, 1-pole switching, for 185 mm busbar systems

► Technical data, page 240



38036-0290

E³ NH Fuse-Switches, vertical design, size 3, 1-pole switching, for 1000 or 2000 A

Designation	Size	Amps	PU	Product designation	Order no.
Parallel switch with integrated solid-link, multiple-use terminal (bolt M12)	3	2000	1	E ³ NH-LA-TR-LEI 2x1000A 1P Zw U6	38036-0290
Fuse-switch, vertical design, with integrated solid-link, for busbar isolation, internal terminal	3	1000	1	E ³ NH-LA-TR-LEI 1000A 1P KL	38030-0210
Fuse-switch, vertical design, with integrated solid-link, terminal supported on left-hand side	3	1000	1	E ³ NH-LA-TR-LEI 1000A 1P KL2	38030-0230

NH Fuse-Switch coupling unit, vertical design, size 4a, 1-pole switching for connecting 2 busbar systems with 185 mm spacing

Designation	Size	Amps	PU	Product designation	Order no.
Coupling unit, 1 pole switching, terminal at the front left-hand side of busbar	4a	1250	1	NH-LA-LEI 4A 1P KL1	38400-0260



38010-0110

E³-NH Fuse-Switch, vertical design, size 1 - 3, 1-pole switching, with special terminals

Designation	Size	Amps	PU	Product designation	Order no.
Terminal on the right-hand side	1	250	1	E ³ NH-LA-LEI 1 1Pr L6	38010-0110
Terminal on the left-hand side	1	250	1	E ³ NH-LA-LEI 1 1PI L6	38010-0130
Terminal on the rear side	1	250	1	E ³ NH-LA-LEI 1 1Ph L6	38010-0090
Terminal on the right-hand side	2	400	1	E ³ NH-LA-LEI 2 1Pr L6	38020-0110
Terminal on the left-hand side	2	400	1	E ³ NH-LA-LEI 2 1PI L6	38020-0130
Terminal on the rear side	2	400	1	E ³ NH-LA-LEI 2 1Ph L6	38020-0090
Terminal on the right-hand side	3	630	1	E ³ NH-LA-LEI 3 1Pr L6	38030-0110
Terminal on the left-hand side	3	630	1	E ³ NH-LA-LEI 3 1PI L6	38030-0130
Terminal on the rear side	3	630	1	E ³ NH-LA-LEI 3 1Ph L6	38030-0090



38662-0000

NH Fuse-Switch, vertical design, size 2, 1-pole switching, EKDEO series

Designation	Size	Amps	PU	Product designation	Order no.
Clinch nut M12	2	400	1	EKDEO 1/2 1P S6	38664-0000
V-terminal (not including clamp)	2	400	1	EKDEO 1/2 1P V2	38665-0000
Stud M12 x 30	2	400	1	EKDEO 1/2 1P B6	38662-0000
V2N terminal (not including clamp)	2	400	1	EKDEO 1/2 1P V2N	38665-0470

NH Fuse-Rails for 100 mm and 185 mm busbar systems

► Technical data, page 241



38765-0001

NH Fuse-Rails, size 00 – 3, with contact and terminal cover

Designation	Amps	PU	Product designation	Order no.
Screw terminal M8, 100 mm busbar spacing	160	1	NH-LEI 00N SH G4	38550-0020
Multiple-use terminal (bolt M8), 185 mm busbar spacing	160	3	NH-LEI 00/185 SH U5	38570-0020
V2N terminal, including V-clamps 35-240 sm/35-300 se, 185 mm busbar spacing	160	2	NH-LEI 00/185 SH BG VK V2N	38575-0600
with V2 terminal (not including clamps)	160	1	E ³ NH-Lei 00/185 V2	38765-0001
Clinch nut M12, EDURO series	400	1	NH-LEI 1-2 SH S6	38864-0020
V2N terminal (not including V-clamps), EDURO series	400	1	NH-LEI 1-2 SH V2N	38865-0020
Clinch nut M12		1	NH-LEI 3N SH KH S6	38954-0140
V2N terminal (not including clamp)	630	1	NH-LEI 3N SH V2N	38955-0020
for applications up to 1200 V DC, suitable for NH fuses of size 2XL and 3L	400	1	NH-LEI 2XL/3L 2P 1200VDC 400A SH S6	38954-0030

Accessories

NH Fuse-Switches, vertical design, size 00



36338-0010

E³ twin adapter for mounting size 00/60 on busbar systems with 185 mm spacing

Designation	Size	PU	Product designation	Order no.
E ³ twin adapter for installation of size 00/60 for 185 mm busbar spacing	00/60	1	Doppeladapter E ³ 60/185	36338-0010



36337-0010

E³ twin adapter for mounting size 00/100 on busbar systems with 185 mm spacing

Designation	Size	PU	Product designation	Order no.
E ³ twin adapter for mounting of size 00/100 on busbar systems with 185 mm spacing	00/100	1	Doppeladapter E ³ 100/185	36337-0010



36440-0010

E³ twin adapter for mounting size 00/100 on busbar systems with 185 mm spacing with hook-mounting on the busbar

Designation	Size	PU	Product designation	Order no.
E ³ twin adapter for mounting of size 00/100 on 185 mm busbar spacing with hook-mounting on busbar	00/100	1	Doppeladapter E ³ 100/185 Bh	36440-0010



36339-0010

E³ single adapter for mounting size 00/100 on busbar systems with 185 mm spacing

Designation	Size	PU	Product designation	Order no.
E ³ single adapter for installation of size 00/100 on busbar systems with 185 mm spacing	00/100	4	Einfachadapter E ³ 100/185	36339-0010



36398-0010

E³ twin adapter for height adjustment when mounting size 00/185 next to size 1-3

Designation	Size	PU	Product designation	Order no.
E ³ twin adapter for height adjustment when mounting size 00/185 next to size 1 – 3	00/185	1	Doppeladapter E ³ 185/185	36398-0010



36445-0010

Blanking cover for adapter size 00, 185 mm long, 50 mm wide with spacer bolt

Designation	Size	PU	Product designation	Order no.
BLANKING COVER E ³ 50/185	00	1	LEERFELDABDECKUNG E ³ 50/185	36445-0010



36397-0010

Blanking cover for adapter size 00, 185 mm long, 50 mm wide

Designation	Size	PU	Product designation	Order no.
Blanking cover, 50 mm wide – 185 mm long	00/185	1	LEERFELDABDECKUNG E ³ 50/185	36397-0010



36330-0010

Frame for length adjustment for size 00, 60/100 mm

Features:

- Length adjustment with E³-NH fuse-switches, vertical design, size 1 – 3
- Kit = 1 piece each

Designation	Size	PU	Product designation	Order no.
1 kit of upper/lower adjustment frames for length adjustment when mounting size 1 – 3.	00/60 00/100	1	AUSGLEICHSBLENDEN SET E ³ GR.00	36330-0010

Accessories

NH Fuse-Switches, vertical design, size 00



36331-0010

Angle bracket

Features:

- Lateral or top installation
- 5 mm grid
- Clips onto universal sideframe
- With thread M6 or bore for PT screws Ø 3.5 mm
- Secures the protection cover

Designation	Size	PU	Product designation	Order no.
Lateral angle bracket for mounting universal sideframes	00-3	4	ABSTÜTZW. SET=4ST. E ³ GR.00-3	36331-0010



36727-0010

Lateral cover

Features:

- Lateral cover for busbars
- Mounts to E³ NH fuse-switch, vertical design

Designation	Size	PU	Product designation	Order no.
Lateral safety cover, mounted on the device	00/185 3	1	Seitlicher Berührungsschutz E ³ 00/185- 3	36727-0010



36380-0010

Identification label for size 00/60 to 00/185

Designation	Size	PU	Product designation	Order no.
Product identification label for identification holder	00/60 00/185	1	Produktbezeichnungsschild E ³ Gr.00	36380-0010



36391-0010

Identification holder, short, for size 00/185

Features:

- Fits E³-NH fuse-switches, vertical design, size 00/185

Designation	Size	PU	Product designation	Order no.
Identification holder, short, clipping to top or bottom	00/185	1	Infoträger klappbar E ³ Gr.00/185	36391-0010



36400-0010

Terminal cover, short, for size 00/60 and 00/100

Features:

- For use with box clamps

Designation	Size	PU	Product designation	Order no.
Terminal cover, short, f or use with box clamps	00/60 00/100	1	Anschlussraumabd. kurz E ³ 00/60/100	36400-0010
E ³ terminal cover, long, 00/60/100		1	Anschlussraumabd. lang E ³ 00/60/100	36401-0010



36402-0010

Terminal cover, short, for size 00/185

Features:

- For use with box clamps

Designation	Size	PU	Product designation	Order no.
Terminal cover, short, for use with box clamps	00/185	1	Anschlussraumabd. kurz E ³ 00/185	36402-0010

Accessories

NH Fuse-Switches, vertical design, size 00



36377-0010

Pressure plates

Features:

- For Cu conductor
- Kit = 3 pieces

Designation	Size	PU	Product designation	Order no.
Pressure plates for direct cable connection, 1.5 – 25 mm ² , (re, sm or flat conductor 16 – 10 mm)	00	3	1Satz (3Stück) Druckstücke E ³ Gr.00	36377-0010



36378-0010

Pressure plates 95 mm² with contact prism

Features:

- For Cu and Al conductors
- Kit = 3 pieces

Designation	Size	PU	Product designation	Order no.
Pressure plates with contact prism for direct cable-connection, 1.5 – 95 mm ² , (re, sm or flat conductor 16 – 10 mm)	00	3	1Satz (3Stück) Kontaktprismen E ³ Gr.00	36378-0010



36366-0010

Pressure plates 150 mm² with contact prism for size 00, 185 mm

Features:

- For Cu and Al conductors
- Kit = 3 pieces

Designation	Size	PU	Product designation	Order no.
Pressure plates with contact prism for direct cable-connection, 70 – 150 mm ² , (re, sm, rm)	00/185	3	1SATZ (3STÜCK) KONTAKTPRISMEN E ³ 00/185	36366-0010



36367-0010

Contact hooks for size 00/185 for direct mounting

Features:

- For flat bars of 5 – 10 mm
- For direct mounting for sizes 1 – 3
- Kit = 3 pieces

Designation	Size	PU	Product designation	Order no.
Contact hooks for E ³ -NH fuse-switches, vertical design, size 00/185, elevated feed bracket	00/185	3	1 Satz Kontakthaken E ³ 00/185 Eh 150mm	36367-0010
1 kit (3 pieces) E ³ hooks, size 00/100/185	00/185	3	1Satz (3St.) E ³ Haken Gr.00/100/185	36392-0010

V-clamps

Designation	PU	Product designation	Order no.
1 kit of clamps E ³ VST 00 Vk7 95se	3	1 Satz Klemmen E ³ VST 00 Vk7 95se	36749-0010
1 kit of clamps E ³ VST 00 Vk7 95se	3	1 Satz Klemmen E ³ VST 00 Vk7 95se	36768-0010

Accessories

NH Fuse-Switches, vertical design, size 00



36395-0010

Device carrier, short, 95 mm, for size 00, 100/185 mm

Features:

- For plug-in current meters

Designation	Size	PU	Product designation	Order no.
Clip-on device carrier, 1-phase, 95 mm long	00/60- 00/185	1	Ausgleichsblende 00 95 2Löcher	36395-0010
Clip-on device carrier, 3-phase, 95 mm long	00/60- 00/185	1	AUSGLEICHSBLENDE E ³ Gr.00 95 3phasig	36388-0010
Clip-on device carrier, 95 mm long, blanking element	00/60- 00/185	1	AUSGLEICHSBLENDE E ³ Gr.00 95mm	36386-0010



36387-0010

Device carrier, short, 95 mm, for size 00/60 to 00/185

Features:

- For flush current meters

Designation	Size	PU	Product designation	Order no.
Clip-on device carrier, 95 mm long, 1 cut-out	00/60- 00/185	1	Gerätehalter E ³ Gr.00 K 48x48mm	36387-0010



36385-0010

Device carrier, long, 135 mm, for size 00/60 to 00/185

Features:

- For flush current meters

Designation	Size	PU	Product designation	Order no.
Clip-on device carrier, 135 mm long, 1 cut-out	00/60- 00/185	1	Gerätehalter E ³ Gr.00 L 48x48mm	36385-0010



36335-0010

Microswitch for position indication, size 00/60 to 00/185

Features:

- NC-contact or NO-contact microswitch
- 2 A / 250 V AC plug-in tab 2.8 x 0.5 mm

Use:

- 2 microswitches for 3-pole-switching devices

Designation	Size	PU	Product designation	Order no.
Microswitch for switch position indication, 1 NC contact or 1 NO contact, 1 kit = 6 pieces	00/60 00/185	6	Mikrosch.Schaltstellung. E ³ 00(1Set=6St)	36335-0010



36379-0010

Window locking system

Features:

- Locks sliding window
- Installs internally

Screws

- Kit = 3 pieces

Designation	Size	PU	Product designation	Order no.
Window locking system against unauthorized use	00 - 3	3	1Satz (3St) Stromdiebstahlsich. E ³ 00-3	36379-0010

Accessories

NH Fuse-Switches, vertical design, size 1 – 3



36435-0010

Terminal cover, long

Features:

- Terminal cover 36444-0010
- For optimal protection against accidental contact

Designation	Size	PU	Product designation	Order no.
E ³ terminal cover, extra long	1-3	1	E ³ Anschlussraumabdeckung extra lang	36435-0010



36381-0010

Partition wall

Features:

- Partition wall for terminal space
- For long cable lugs
- 95 mm long

Designation	Size	PU	Product designation	Order no.
Partition wall for terminal space when using long lugs, 95 mm long	1-3	1	Trennwand E ³ Gr.1-3	36381-0010



36438-0010

Terminal cover, short

Features:

- For use with V-clamps and box clamps

Designation	Size	PU	Product designation	Order no.
Terminal cover, short, for V-clamps or steel box clamps	1-3	1	Anschlussraumabdeckung E ³ Gr.1-3 kurz	36438-0010



36331-0010

Angle bracket

Features:

- For top or side mounting with size 00 – 3
- 5 mm grid, installation depth 120 – 150 mm
- Clips onto universal sideframe
- For bolting the protection cover- with thread M6 or hole for PT screws Ø 3.5 mm

Designation	Size	PU	Product designation	Order no.
Lateral angle bracket for mounting universal sideframes	00-3	4	ABSTÜTZW. SET=4ST. E ³ GR.00-3	36331-0010



36390-0010

Sideframe, universal

Features:

- Clips onto angle bracket, length 850 mm
- Fits on all sides

Designation	PU	Product designation	Order no.
Sideframe, universal, for E ³ NH fuse-switches, vertical design, length 850 mm	1	Blendstreifen E ³ 850mm	36390-0010



36727-0010

Lateral cover

Features:

- Lateral cover for busbars
- Fits E³-NH fuse-switch, vertical design

Designation	Size	PU	Product designation	Order no.
Lateral safety cover, mounted on device	00/185 3	1	Seitlicher Berührungsschutz E ³ 00/185- 3	36727-0010



36409-0010

Blanking cover

Features:

- Covers busbars

Designation	Size	PU	Product designation	Order no.
Cover mounts directly onto busbar	1-3	1	E ³ Reserveplatzabdeckung	36409-0010
Cover with spacer bolts for elevated mounting	1-3	1	E ³ Reserveplatzabdeckung m. Bolzen	36410-0010

Accessories

NH Fuse-Switches, vertical design, size 1 – 3



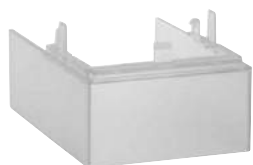
36356-0010

Identification holder

Features:

- Provides space for additional information
- Can also be used as top cover

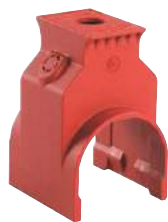
Designation	Size	PU	Product designation	Order no.
Identification holder, clips to top or bottom	1-3	1	Bez.-schildträger kompl. kurz Gr.1 EFEN	36356-0010
Identification holder, compl., short, size 2, EFEN		1	Bez.-schildträger kompl. kurz Gr.2 EFEN	36356-0020
Identification holder, compl., short, size 3, EFEN		1	Bez.-schildträger kompl. kurz Gr.3 EFEN	36356-0030
Identification holder E ³ , short, neutral		2	Beschriftungsträger E ³ kurz neutral	36405-0010



31946-0100

Extension for terminal cover for EKDEO series

Designation	PU	Product designation	Order no.
Extension for terminal cover for EKDEO series	1	ARA-VERLÄNGERUNG LA-LEI 1/2 EVU	31946-0100



31607-0100

Connecting material

Designation	PU	Product designation	Order no.
V2N insulating cap	1	ISOLIERKAPPE V2N „lange Variante“	31516-0100
Insulating cap V2 MD	1	ISOLIERKAPPE V2 MD	31607-0100
1 SATZ V-KLEMME 35-70 SM MIT LASCHE	3	1 SATZ V-KLEMME 35-70 SM MIT LASCHE	36025-0010
V-clamp 35 – 25 mm ² sm, 70 – 240 mm ² se (1 kit = 3 pieces)	3	1 SATZ V-KLEMME 35-185 SM V2	36025-0060
1 kit (3 pieces) of claw clamps M12 for 50 – 150 mm ² se	3	ANSCHLUSSKLEMMEN 50-150 SE FÜR S6 1 SATZ	36063-0010

Accessories

NH Fuse-Switches, vertical design, size 1 – 3



36298-0010

Aluminum V-clamp

Features:

- Kit = 3 pieces

Designation	PU	Product designation	Order no.
V2MD clamp for 25 – 300 mm ² se	3	1 Satz Klemmen V2 MD 240sm/300rm	36298-0010



36354-0010

Contact hook

Features:

- Easy to retrofit
- Busbar thickness 5 – 10 mm
- Max. busbar width 100 mm
- Not suitable for coupling units
- Kit = 3 pieces

Designation	Size	PU	Product designation	Order no.
Contact hooks for E ³ -NH fuse-switches, vertical design, size 1 – 3 for direct mounting to busbars with a thickness of 5 – 10 mm	1-3	3	HAKENKLEMME E ³ 1-3 1 Satz (3 Stück)	36354-0010



36719-0010

Screw terminal M12x30

Features:

- With coiled spring element, ø 28 mm
- For busbar mounting or terminal connection
- Kit = 3 pieces

Designation	Size	PU	Product designation	Order no.
Screw terminal M12 x 30, with coiled spring element	1-3	3	Sammelsch. Anschl. M12x30 1Satz (3Stück)	36719-0010
Retrofit kit for stud		3	Nachrüstsatz B6 E ³ 1-3	36369-0010



36350-0010

Steel captive clamp

Features:

- Steel captive clamp for multiple-use terminal
- Can retrofitted to screw terminal M12
- Corrosion-resistant
- Kit = 3 pieces

Designation	Size	PU	Product designation	Order no.
Steel captive clamp for retrofitting of multiple-use terminal, 35-240 rm, 35-300 re, 50-300 sm/se	1-3	3	Klemme E ³ FEST 50-240sm 1SATZ (3ST)	36350-0010



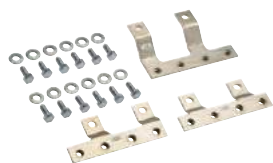
36298-0010

V-clamps

Features:

- Kit = 3 pieces

Designation	PU	Product designation	Order no.
V2MD clamp for 25 – 300 mm ² se	3	1 Satz Klemmen V2 MD 240sm/300rm	36298-0010



36851-0010

Connecting pieces and terminal kits for parallel switches

Designation	PU	Product designation	Order no.
Connecting piece 2 x cover E ³ , 1-3, 3-pole	1	Verbindungssatz 2xDeckel E ³ 1-3 3-polig	36849-0010
Connecting piece 2 x cover E ³ , 1-3, 1-pole	3	Verbindungssatz 2xDeckel E ³ 1-3 1-polig	36850-0010
Terminal kit 2 x E ³ , 1-3 parallel	1	Anschlussgarnitur 2x E ³ 1-3 parallel	36851-0010

Accessories

NH Fuse-Switches, vertical design, size 1 – 3



36353-0010

V-clamp

Features:

- Kit = 3 pieces

Designation	Size	PU	Product designation	Order no.
Steel V-clamp, 35-240 rm, 35-300 re, 50-240 sm, 50-300 se	1-3	3	Klemme E ³ VST 35-240rm 1Satz (3St)	36353-0010
E ³ clamp COMPL., 2 x 95 – 185sm, 1 kit (3 pcs)		3	Klemme E ³ VST 2x95-185sm 1SATZ (3ST)	36754-0010



36351-0010

Steel captive V-clamp

Features:

- For retrofitting to V-clamp for size 1 – 3
- Kit = 3 pieces

Designation	Size	PU	Product designation	Order no.
Steel captive V-clamp, 35-240 rm, 35-300 re, 50-240 sm, 50-300 se	1-3	3	Klemme E ³ VEST 35-240rm 1Satz (3St)	36351-0010



36299-0010

PEN lug

Features:

- For V-clamps- Twist-proof

Designation	Size	PU	Product designation	Order no.
PEN connection with lug, twist-proof, V2 MD-clamp, 25 – 300 mm ²	1-3	3	PEN-Anschluss 1Satz (3St)	36404-0010
PEN-connection with lug, twist-proof, V2 MD clamp, 25 – 300 mm ² se		1	PEN-Anschluss m. Klemme V2MD 240sm/300rm	36299-0010
MP terminal unit V2N 300 rm/sm		1	MP-Anschlusseinheit V2N 300 rm/sm	36138-0020



36444-0010

Connecting kit for 2 x 300 mm²

Features:

- For E³-NH fuse-switches, vertical design, of sizes 1 – 3
- Per phase 2 x max. 300 mm²

Designation	Size	PU	Product designation	Order no.
E ³ connecting kit for 2 x 300 mm ²	1-3	1	E ³ Anschlusset 2x 300mm ²	36444-0010



36435-0010

Terminal cover, long

Features:

- Terminal cover 36444-0010
- For optimal protection against accidental contact

Designation	Size	PU	Product designation	Order no.
E ³ terminal cover, extra long	1-3	1	E ³ Anschlussraumabdeckung extra lang	36435-0010

Feeding clamp

Designation	Size	PU	Product designation	Order no.
Feeding clamp IP2X COMPL. 35 – 240rm		3	Einspeiseklemme IP2X VST 35-240rm	36846-0010

Accessories

NH Fuse-Switches, vertical design, size 1 – 3



36431-0010

E³-wiring kit for voltage cut-out

Features:

- Ready for connection to E³-NH fuse-switch, vertical design
- Connects to input or output
- Includes cable holder and terminal screws

Designation	PU	Product designation	Order no.
Wiring kit for voltage cut-out	1	Verdrahtungskit f. Spannungsabnahme	36431-0010



36430-0010

E³-wiring kit for current transformers

Features:

- Secondary lines 2.5 mm², black, no. 1 – 6
- Fits plug connections, isolation terminals or metering devices
- For top or bottom terminal
- Impulse-withstand voltage 3 kV
- Includes cable holder

Designation	PU	Product designation	Order no.
1-phase wiring kit for current transformers, secondary line 2.5 mm ² , black, no. 1 – 6, impulse-withstand voltage 3 kV	1	Verdrahtungskit f. 1 Stromwandler	36429-0010
3-phase wiring kit for current transformers, secondary line 2.5 mm ² , black, no. 1 – 6, impulse-withstand voltage 3 kV	1	E ³ Verdrahtungskit f. 3 Stromwandler	36430-0010



36382-0010

Clip-on E³-cable holder

Features:

- Clip-on holder for neat cable routing
- For voltage metering or secondary lines

Designation	PU	Product designation	Order no.
Clip-on cable holder, mounted on rear side	1	Kabelhalter E ³ Gr.1-3	36382-0010



36379-0010

Window locking system

Features:

- Locks sliding window
- Installs internally
- Screws
- Kit = 3 pieces

Designation	Size	PU	Product designation	Order no.
Window locking system against unauthorized use	00 - 3	3	1Satz (3St) Stromdiebstahlsich. E ³ 00-3	36379-0010



36375-0010

Microswitch for position indication

Features:

- NC-contact or NO-contact microswitch- 2 A / 250 V AC plug-in tab 2.8 x 0.5 mm

Use:

- 3 microswitches for 1-pole switching- 1 microswitch for 3-pole switching

Designation	PU	Product designation	Order no.
Microswitch for switch position indication, 1 NC contact or 1 NO contact, 1 kit = 6 pieces	6	Mikrosch.Schaltstellung. E ³ 1-3(1Set=6St)	36375-0010



36407-0010

Handle cover

Features:

- Clips onto handle
- Red color
- 1 kit = 3 pieces

Designation	Size	PU	Product designation	Order no.
Clip-on handle cover, red	1-3	3	Griffblende E ³ Gr.1-3 rot 3St	36407-0010

Accessories

NH Fuse-Switches, vertical design, size 1 – 3



36420-0010

Device carrier, low, with isolation terminal holder

Features:

- Fits E^3 -NH fuse-switches, vertical design
- With isolation terminal holder
 - e. g. in combination with multifunctional measurement device
- Includes mounting and earth screws

Designation	PU	Product designation	Order no.
Device carrier, low, with isolation terminal holder	1	Halteplatte mittel	36420-0010



36421-0010

Device carrier with DIN adapter and isolation terminal holders

Features:

- Fits E^3 -NH fuse-switches, vertical design
- One DIN adapter on front face
- With isolation terminal holder
- Includes mounting and earth screws

Designation	PU	Product designation	Order no.
Device carrier with DIN adapter and isolation terminal holders, 352 mm long	1	Geräteträger lang 1 DIN-Schienehalter	36421-0010



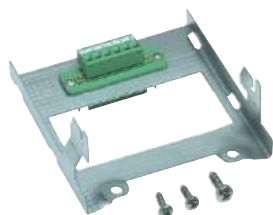
36374-0010

Device carrier with two DIN adapters and isolation terminal holders

Features:

- Fits E^3 -NH fuse-switches, vertical design
- Two DIN adapters on front face and low isolation terminal holders
- Includes mounting and earth screws

Designation	PU	Product designation	Order no.
Device carrier with 2 DIN adapters and isolation terminal holders	1	Gerätetr.2DIN-Schieneh. Messw. Trennkl	36374-0010



36370-0010

Device carrier, low, with 6-pole plug-connection

Features:

- Fits E^3 -NH fuse-switches, vertical design
- Terminal cross-section 2.5 mm²
- 250 V / 12 A
- e. g. microswitch or current transformer wiring
- Includes mounting and earth screws

Designation	PU	Product designation	Order no.
Device carrier, low, with 6-pole plug-connection, clamp cross-section 2.5 mm ² , 250 V / 12 A	1	Geräteträger kurz mit Stecker 6p.	36370-0010



36419-0010

Device carrier, low, with DIN adapter

Features:

- Fits E^3 -NH fuse-switches, vertical design
- For the installation of devices and terminals
- Includes mounting and earth screws

Designation	PU	Product designation	Order no.
Device carrier, low, with DIN adapter	1	Halteplatte kurz	36419-0010

Accessories

NH Fuse-Switches, vertical design, size 1 – 3

Power distribution components



36371-0010

Device carrier with DIN adapter

Features:

- Fits **E³**-NH fuse-switches, vertical design
- One DIN-adapter on front face
- Includes mounting and earth screws

Designation	PU	Product designation	Order no.
Device carrier with DIN adapter	1	Gerätetr. 1 DIN-Schienehalter	36371-0010



36372-0010

Device carrier with DIN adapter and 6-pole plug-connection

Features:

- Fits **E³**-NH fuse-switches, vertical design
- One DIN-adapter on front face
- 6-pole plug connection
- Terminal cross-section 2.5 mm²
- 250 V / 12 A
- Includes mounting and earth screws

Designation	PU	Product designation	Order no.
Device carrier with DIN adapter and 6-pole plug-connection, clamp cross-section 2.5 mm ² , 250 V / 12 A	1	Gerätetr. 1 DIN-Schieneh. Steckverb.6p	36372-0010



36373-0010

Device carrier with DIN adapter and isolation terminal holders

Features:

- Fits **E³**-NH fuse-switches, vertical design
- One DIN-adapter on front face
- With isolation terminal holder
- Includes mounting and earth screws

Designation	PU	Product designation	Order no.
Device carrier with DIN adapter and isolation terminal holders, 225 mm long	1	Gerätetr. 1 DIN-Schieneh. Messw. Trennkl	36373-0010

Accessories

NH Fuse-Switches, vertical design, size 1 – 3



36422-0010

Device carrier, long, 120 mm

Features:

- For flush installation of device
- Frames can be joined

Designation	Size	PU	Product designation	Order no.
Device carrier E ³ , size 1 – 3, long, 72 x 72 mm	1-3	1	Gerätehalter E ³ Gr.1-3 lang 72x72mm	36383-0010
Device carrier E ³ , size 1 – 3, long, 96 x 96 mm	1-3	1	Gerätehalter E ³ Gr.1-3 lang 96x96mm	36422-0010
Device carrier E ³ , size 1 – 3, long, blank	1-3	1	Gerätehalter E ³ Gr.1-3 lang blind	36423-0010



36437-0010

Device carrier

Features:

- Covers oversized cut-outs
- Length adjustment up to 100 mm
- Installation depth to front of 150 mm

Designation	PU	Product designation	Order no.
Device carrier, 120 mm long, blanking element for adjustment	1	E ³ Geräteh. Gr.1-3 lang blind Ausgl.	36437-0010



36424-0010

Device carrier, short, 97 mm

Features:

- For flush installation of device

Designation	PU	Product designation	Order no.
Device carrier, 97 mm long, cut-out 72 x 96, for flush installation	1	Gerätehalter E ³ Gr.1-3 kurz 72x72mm	36424-0010
Device carrier, 97 mm long, blanking element	1	Gerätehalter E ³ Gr.1-3 kurz blind	36425-0010



36427-0010

Device carrier, short, 97 mm

Features:

- For plug-in metering devices

Designation	PU	Product designation	Order no.
Device carrier, 97 mm, for clip-on metering devices, 1-phase	1	Gerätehalter kurz 1phasig	36426-0010
Device carrier, 97 mm, for clip-on metering devices, 3-phase	1	Gerätehalter E ³ Gr.1-3 kurz 3phasig	36427-0010



36428-0010

Device cover

Features:

- Snaps onto E³-NH fuse-switch, vertical design
- Device carrier and cover can be joined
- Can be trimmed to fit devices of 45 – 90 mm width

Designation	PU	Product designation	Order no.
Device cover, can be trimmed to fit devices of 45 – 90 mm width	1	Geräteabdeckung E ³ Gr.1-3 NEOZED	36428-0010

Accessories
NH Fuse-Switches, vertical design, size 1 – 3



Sealing kit

Features:

- Fits device cover 36428-0010 and surge/overcurrent protectors
- For D01 fuse bases or other devices

36434-0010

Designation	PU	Product designation	Order no.
Sealing kit for device cover 36428-0010	1	Plombierung mit Bügel	36434-0010

Power distribution
components

Accessories NH fuse-rails, size 00 - 2

Accessories for NH fuse-rails size 00 – 2

Designation	PU	Product designation	Order no.
Contact hooks (for mounting w/o drilling) 1 kit = 3 pieces	3	1 SATZ KONTAKTHAKEN EDURO	36931-0010
Contact hooks (for mounting w/o drilling) 1 kit = 3 pieces	3	1 SATZ KONTAKTHAKEN LA-LEI 1/2 U. 1-3N	36932-0010
Cover for NH fuse-switch, vertical design	1	ABDECKUNG LEI 1-2 EDURO	36322-0010
Carrier for identification label for NH fuse-switch, vertical design	1	INFOTRÄGER LEI 1-2	36301-0010
Cover E ³ NH-LEI 00/185	1	Abdeckung E ³ NH-LEI 00/185	36748-0010
Cover for PV fuse-switch	1	Sicherungsabdeckung PV-Leiste	36837-0010

EH NH Fuse-Switches, vertical design

Technical data

Product range overview

Type	Size 00	Size 1	Size 2	Size 3
Busbar system, 60 mm	•			
Busbar system, 100 mm	•			
Busbar system, 185 mm	•	•	•	•
Hook-contacting on busbar	•	•	•	•
Multiple-use terminal (screw terminal)	•	•	•	•
Pressure plates for Cu conductor	•			
Contact prism for Cu/Al conductor	•			
Stud		•	•	•
Clinch nut		•	•	•
Box clamp (95 mm ²)	•			
Box clamp (V-clamp)		•	•	•
Switch position indication	•	•	•	•
Electronic fuse-monitoring	•	•	•	•

Technical data for NH Fuse-Switches, vertical design, according to VDE 0660 T107 / IEC/EN 60947-1/-3

	Unit	00/60	00/100	00/185	1	2	3	
Suitable for NH fuse-links acc. to DIN 43620/1	Size	000/00	000/00	000/00	1	2	3	
Rated operating current I_e	400 V	A	160	160	160	250	400	630
	500 V	A	160	160	160	250	400	630
	690 V	A	160	160	160	200	315	500
Conventional free-air thermic current I_{th} tested with solid-links					320	480	680	
Conventional free-air thermic current I_{th}	A	220	220	220				
Rated operating voltage U_e	V	690	690	690	690	690	690	
Rated isolation voltage U_i	V	1.000	1.000	1.000	1.000	1.000	1.000	
Rated impulse withstand-current U_{imp}	kV	8	8	8	12	12	12	
Conditional rated short-circuit current (when protected by NH fuse-links)	400 V	kA	100	100	120	120	120	120
	500 V	kA	100	100	120	120	120	120
	690 V	kA	100	100	100	100	100	100
Utilization category	400 V		AC-23B	AC-23B	AC-23B	AC-23B	AC-23B	AC-23B
VDE 0660 T107 / EN/IEC 60947-3	500 V		AC-22B	AC-22B	AC-22B	AC-22B	AC-22B	AC-22B
	690 V		AC-22B	AC-22B	AC-22B	AC-21B	AC-21B	AC-21B
Mechanical service life	Cycles	1.400	1.400	1.400	1.400	800	800	
Electrical service life	Optik	200	200	200	200	200	200	
Permissible ambient temperature	C°	-25 to +55	-25 to +55	-25 to +55	-25 to +55	-25 to +55	-25 to +55	
Degree of prot. acc. to DIN/EN 60529 / VDE 0470 T1	IP	30	30	30	20	20	20	
Maximum power dissipation of the NH fuse-link	W	12	12	12	23	34	48	
Total power dissipation (device without fuse-link)	W	20	20	22	27	56	111	
Pollution degree		3	3	3	3	3	3	
Overvoltage category		IV	IV	IV	IV	IV	IV	
Rated frequency	Hz	50-60	50-60	50-60	50-60	50-60	50-60	
Weight without NH fuse-links	kg	1,20	1,30	2,00	4,70	5,00	5,60	

Conductors

Type of connection	Conductor type		00/60 and 00/100	00/185	Size 1	Size 2	Size 3
Multiple-use terminal (screw terminal)			M8	M8	M12	M12	M12
Pressure plates for Cu conductor	Cu	re/rm/sm	1,5 - 25	1,5 - 25			
Contact prism for Cu/Al conductor	Cu/Al	re/rm/se/sm	1,5 - 95	1,5 - 50			
Box clamp (95 mm ²)	Cu	re/rm/se/sm	95	95			
Box clamp (V-clamp)	Cu	re/rm/se/sm		6 - 150	25 - 240	25 - 240	25 - 240
Box clamp (V-clamp)	Al	re/rm/se/sm		6 - 150	25 - 240	25 - 240	25 - 240

NH Fuse-Switches, vertical design Technical data for NH Fuse-Switch, 1000 and 2000 A




Technical data acc. to IEC/EN 60947-1/-3

Size	Designation	Unit	1000 A	2000 A
Rated operating voltage	U_e	Vac	690	690
Rated operating current	I_e	A	1000	2000
Rated insulation voltage	U_i	Vac	1000	1000
Rated impulse withstand-current	U_{imp}	kV	12	12
Rated frequency	I_{cw}	Hz	50-60	50-60
Rated short-time withstand-current 1 sec with solid-link		kA	15 25*	25 40*
Utilization category AC	400 V 500 V 690 V		AC-22B AC-21B AC-21B	AC-22B AC-22B AC-21B
Mechanical service life number of cycles		n	800	800
Electrical service life number of cycles		n	200	200
Total power dissipation device without NH fuse-link		W	270	640 with solid-link
IP protection acc. to IEC 60529 with protection cover front cover closed front cover open	IP IP		20C 10	20C 10
Ambient temperature	T_u	°C	-25 to +55 °C	-25 to +55 °C
Pollution degree			3	3
Overvoltage category			IV	IV
Material	<p>The materials used do not contain any asbestos or ceramic fibers. They contain neither chlorofluorocarbons, polychlorinated biphenyls (PCB) or their isomers nor radioactive materials or quicksilver. All plastic parts are free of halogens, flame-resistant and do not emit hydrochloric acid when exposed to fire.</p>			






* with add. locking system

EFEN NH Fuse-Switches, vertical design





Technical data, size 00

Feed switch terminal	Item number	Terminal area busbar thickness	Bolt	Drive	Tightening torque
	36392-0010	Busbar thickness 5 – 10 mm	M8	INB4	6 Nm
	36367-0010	Busbar thickness 5 – 10 mm	M8	INB4	7 Nm
	36376-0010	Busbar thickness 5 – 10 mm	M8x20	SW13	14 Nm

 Power distribution
components


Output connection	Description	Terminal area busbar thickness	Bolt	Drive	Tightening torque
	36376-0010	Cable lug max. 95 mm ²	M8x14	SW13	14 Nm
	36377-0010	1.5 – 95 mm ² , re, rm, flat, 16 x 10 mm	M5	PZ2	4 Nm
	36378-0010	1.5 – 95 mm ² , re, rm, se, sm	M5	PZ2	4 Nm
	36366-0010	70 – 150 mm ² , re, rm, se, sm	M5	INB3	4 Nm
	36749-0010	70 – 150 mm ² , re, rm, se, sm	M5	INB3	4 Nm






Conductor types

-  rm = round, stranded
-  re = round and solid or round and stranded and condensed
-  sm = sector, stranded 60°, 90°, 100° or 120°
-  se = sector, solid 90° or 120°





EH NH Fuse-Switches, vertical design

Technical data for connecting hardware, size 1 – 3

Feed connection	Item number	Terminal area	Bolt	Drive	Tightening torque
	36354-0010	Busbar thickness 5 – 10 mm Busbar width max. 100 mm	M10	INB5	20 Nm

Output connection					
	36719-0010 36344-0010 36369-0010		M12 M12x30 M12x30	SW19 SW19 INB10	32 Nm 32 Nm 32 Nm
	36350-0010 Suitable for aluminum	35-240 rm 35-300 re 50-300 sm/se	M12	INB6	25 Nm
	36298-0010	25-240 rm/re 35-240 sm 35-300 se	M12	INB6	30 Nm
	36353-0010	35-240 rm 35-300 re 50-240 sm 50-300 se	M12	INB6	25 Nm
	36351-0010	35-240 rm 35-300 re 50-240 sm 50-300 se	M12	INB6	25 Nm

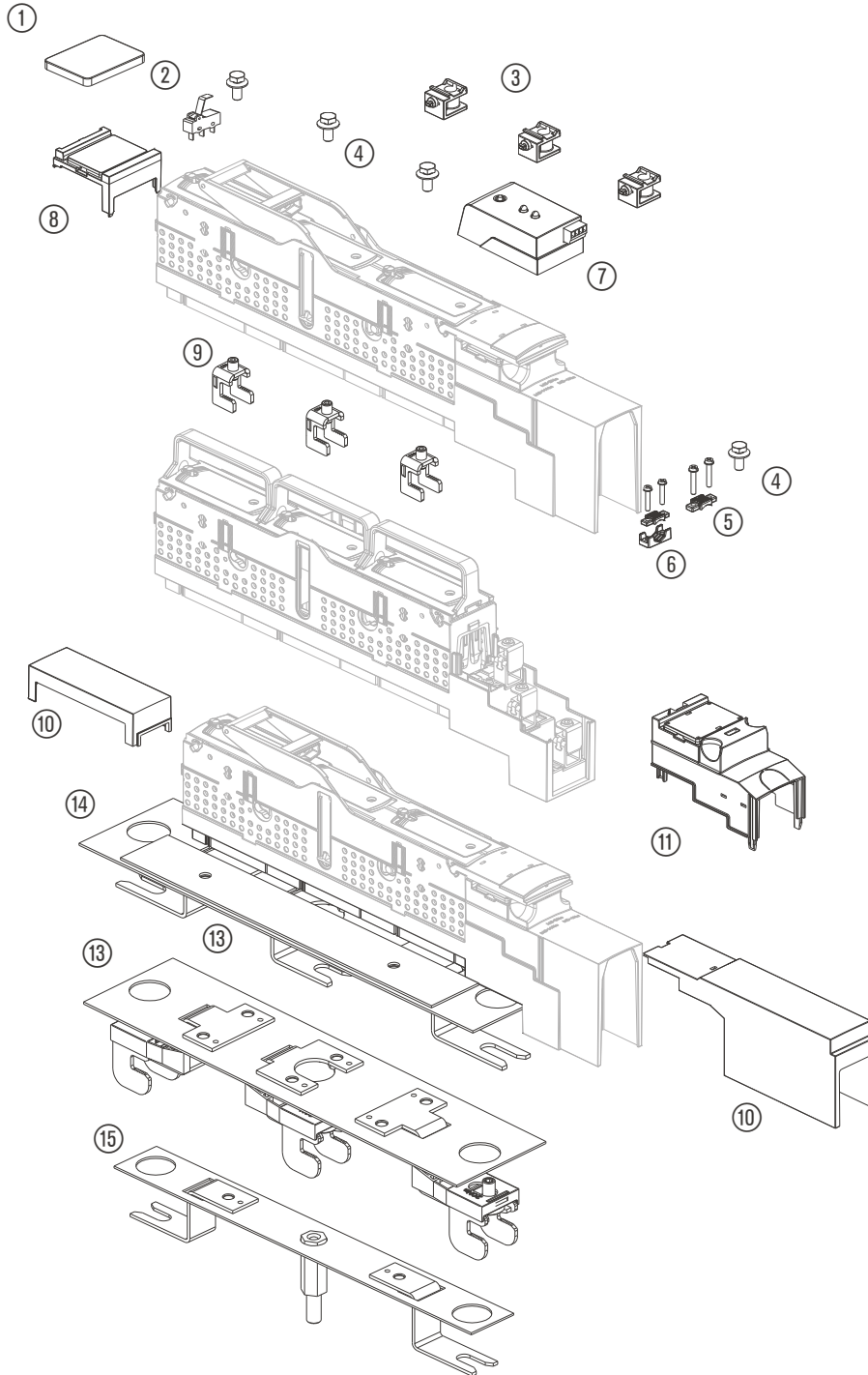
Conductor types

-  rm = round, stranded
-  re = round and solid or round and stranded and condensed
-  sm = sector, stranded 60°, 90°, 100° or 120°
-  se = sector, solid 90° or 120°

E³ NH Fuse-Switches, vertical design

E³ NH Fuse-Switches, horizontal design, 00/60 and 00/100 Accessories

Power distribution
components

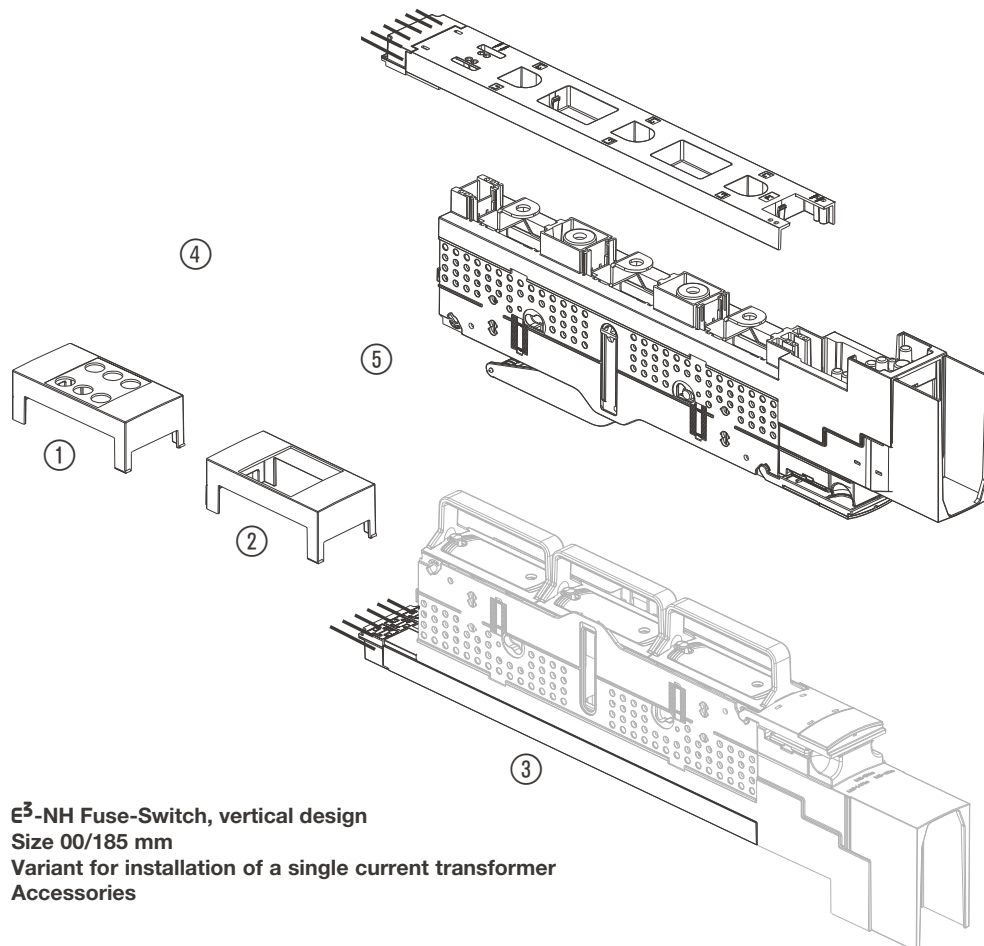


- ① 36380-0010 Identification label E³, size 00/60 to 00/185
- ② 36335-0010 6 microswitches for switch position indication E³, size 00/60 to 00/185
- ③ 36331-0010 Angle bracket Kit = 4 pieces E³, size 00 – 3
- ④ 36376-0010 3 bolts M8x25, hexagon socket
- ⑤ 36377-0010 3 pressure plates E³, size 00 (for direct cable-connection)
- ⑥ 36378-0010 3 pressure plates with contact prisms E³, size 00 (für direct connection)
- ⑦ Electronic fuse-monitoring

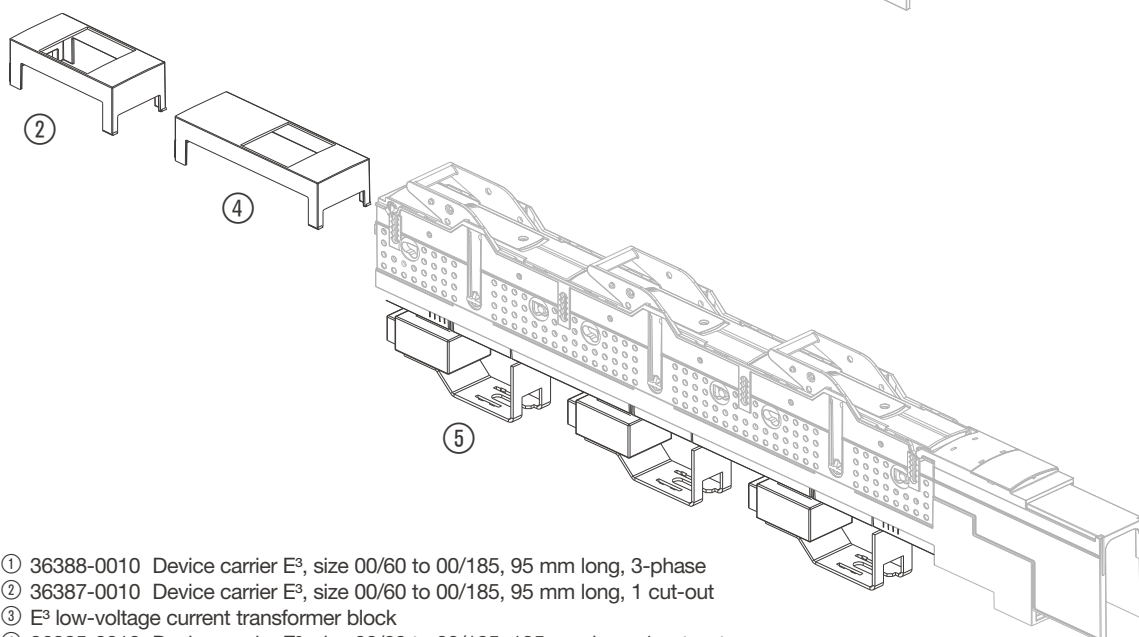
- ⑧ 36389-0010 Identification holder, size 00/60 to 00/185, top included in the device (contact hooks)
 - ⑨ included in the device (contact hooks)
 - ⑩ 36330-0010 Frame for length adjustment, kit, E³, size 00/60 to 00/185
 - ⑪ included in the device (contact hooks)
 - ⑫ 36445-0010 E³ blanking cover, size 00/100 to 00/185
 - ⑬ 36440-0010 Twin adapter E³, size 00/100 hook-mounting
 - ⑭ 36337-0010 Twin adapter E³, size 00/100
 - ⑮ 36339-0010 Single adapter E³, size 00/100
- Note: For fuse-monitoring, refer to section on metering and communicating.

E³ NH Fuse-Switches, vertical design

E³-NH Fuse-Switch, vertical design, size 00/100 mm
Variant for installation of current transformer block
Accessories



E³-NH Fuse-Switch, vertical design
Size 00/185 mm
Variant for installation of a single current transformer
Accessories



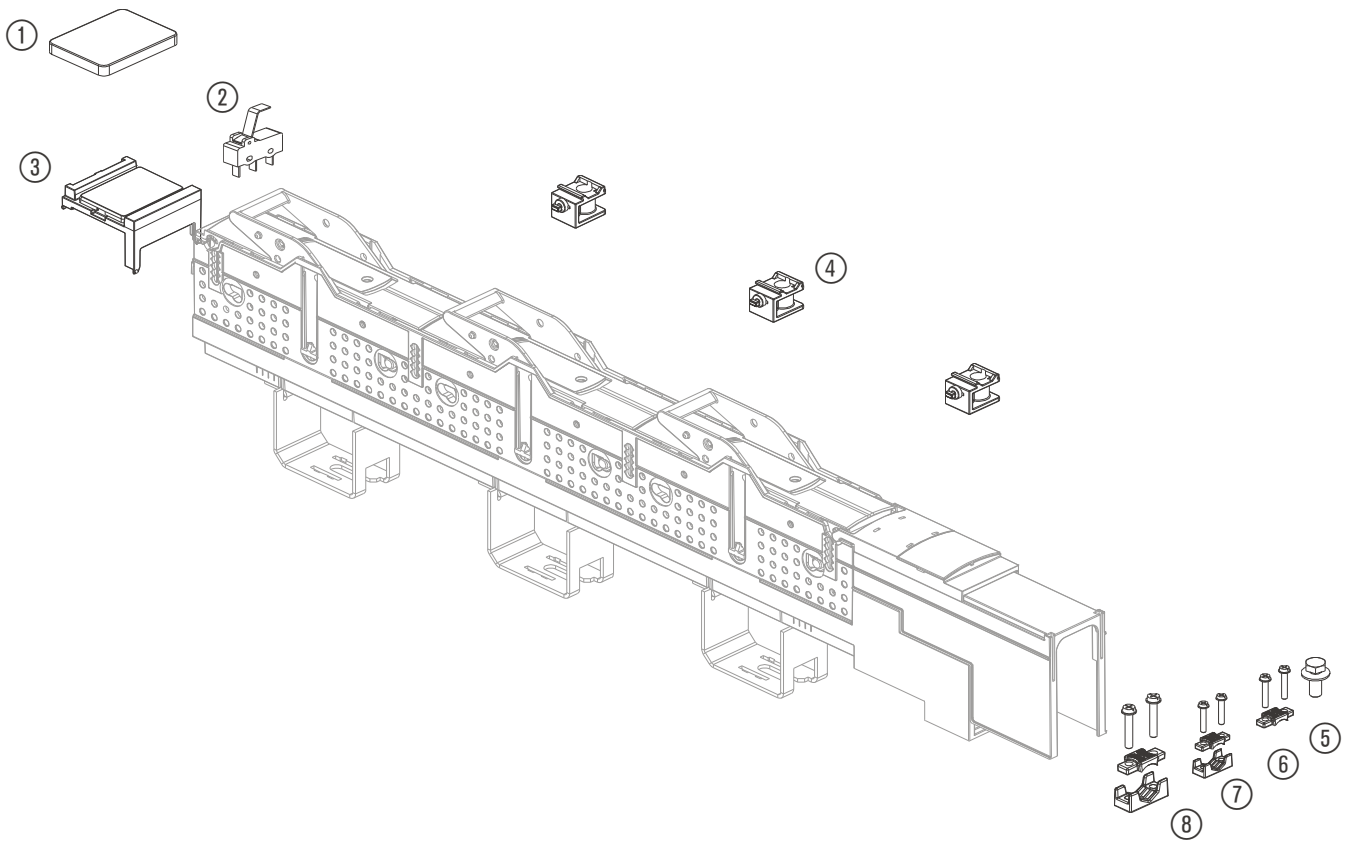
- ① 36388-0010 Device carrier E³, size 00/60 to 00/185, 95 mm long, 3-phase
- ② 36387-0010 Device carrier E³, size 00/60 to 00/185, 95 mm long, 1 cut-out
- ③ E³ low-voltage current transformer block
- ④ 36385-0010 Device carrier E³, size 00/60 to 00/185, 135 mm long, 1 cut-out
- ⑤ Variant for installation of PSR 203 current transformer

Note: For current transformers refer to section on metering and communicating

E³ NH Fuse-Switches, vertical design

E³-NH Fuse-Switch, vertical design,
size 00/185
Direct mounting for size 1 – 3
Accessories

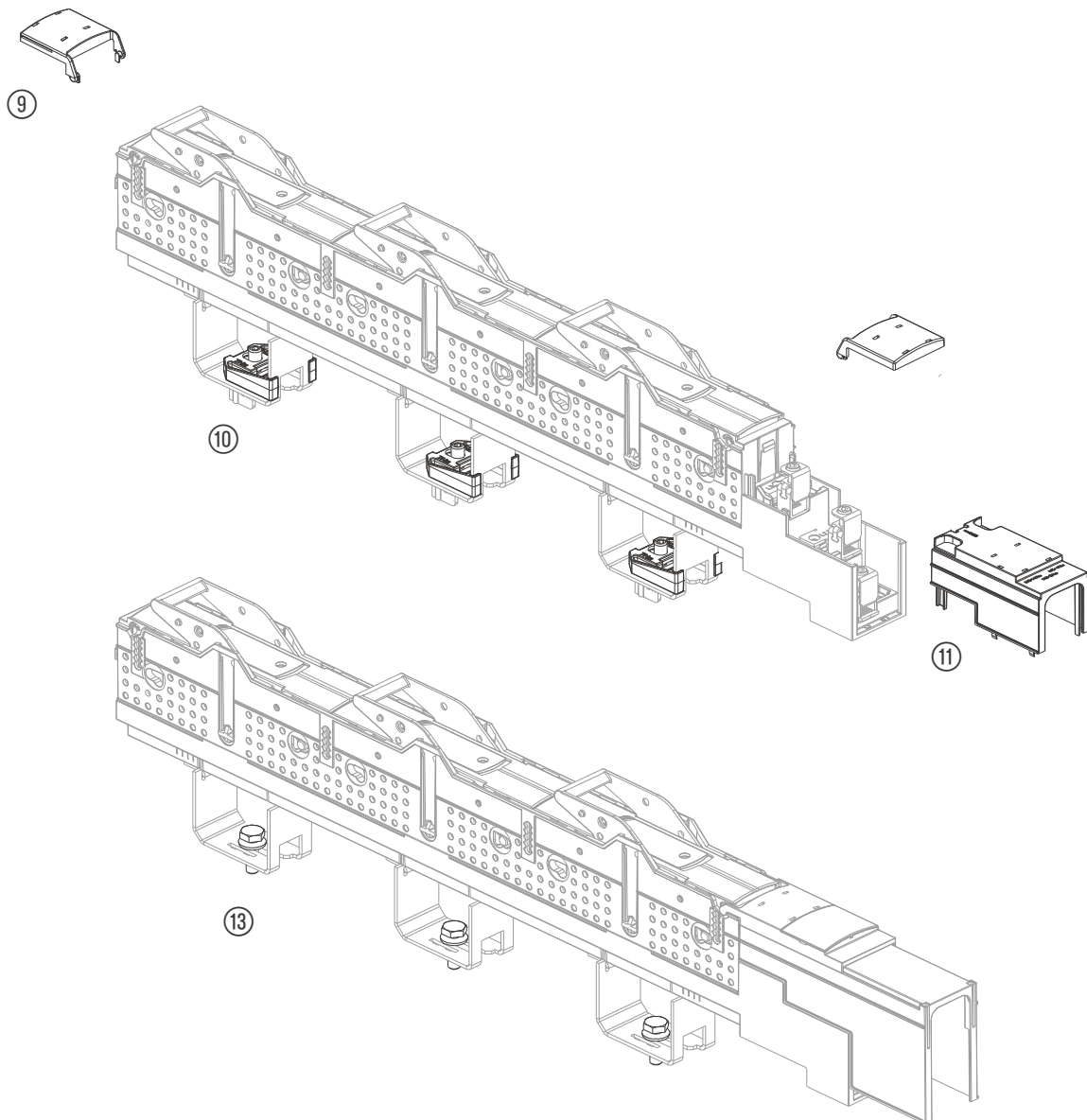
Power distribution
 components



- ① 36380-0010 Identification label E³, size 00/60 to 00/185
- ② 36335-0010 6 microswitches for switch position indication E³ size 00/60 to 00/185
- ③ 36389-0010 Identification holder, size 00/60 to 00/185, top
- ④ 36331-0010 Angle bracket (kit = 4 pieces) E³, size 00 – 3
- ⑤ 36376-0010 3 bolts M8x25, hexagon socket
- ⑥ 36377-0010 3 pressure plates E³, size 00
- ⑦ 36378-0010 3 pressure plates with contact prism E³, size 00
- ⑧ 36366-0010 3 pressure plates with contact prism E³, 00/185

E³ NH Fuse-Switches, vertical design

E³-NH Fuse-Switch, vertical design, size 00/185
Direct mounting for size 1 – 3
Accessories

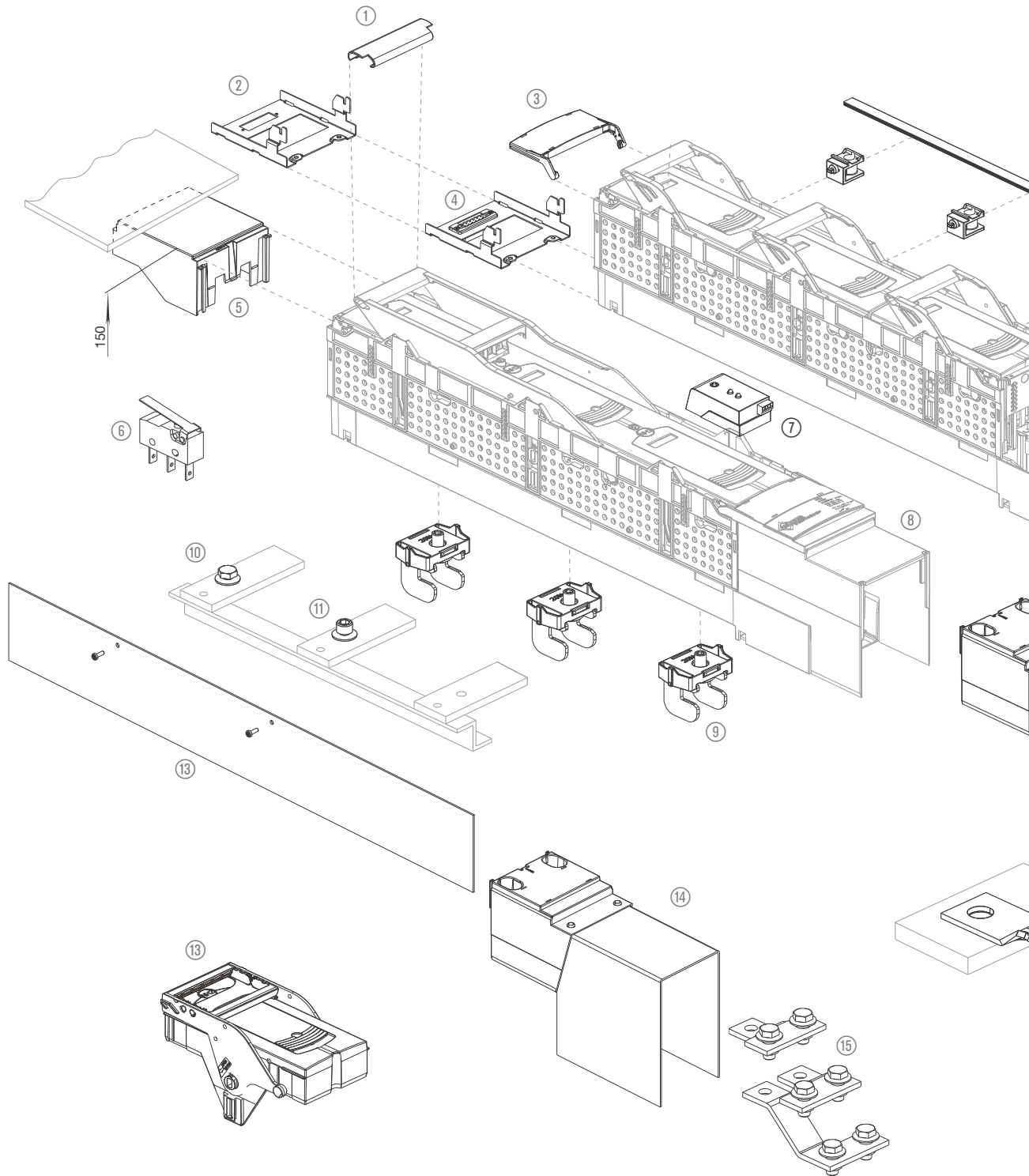


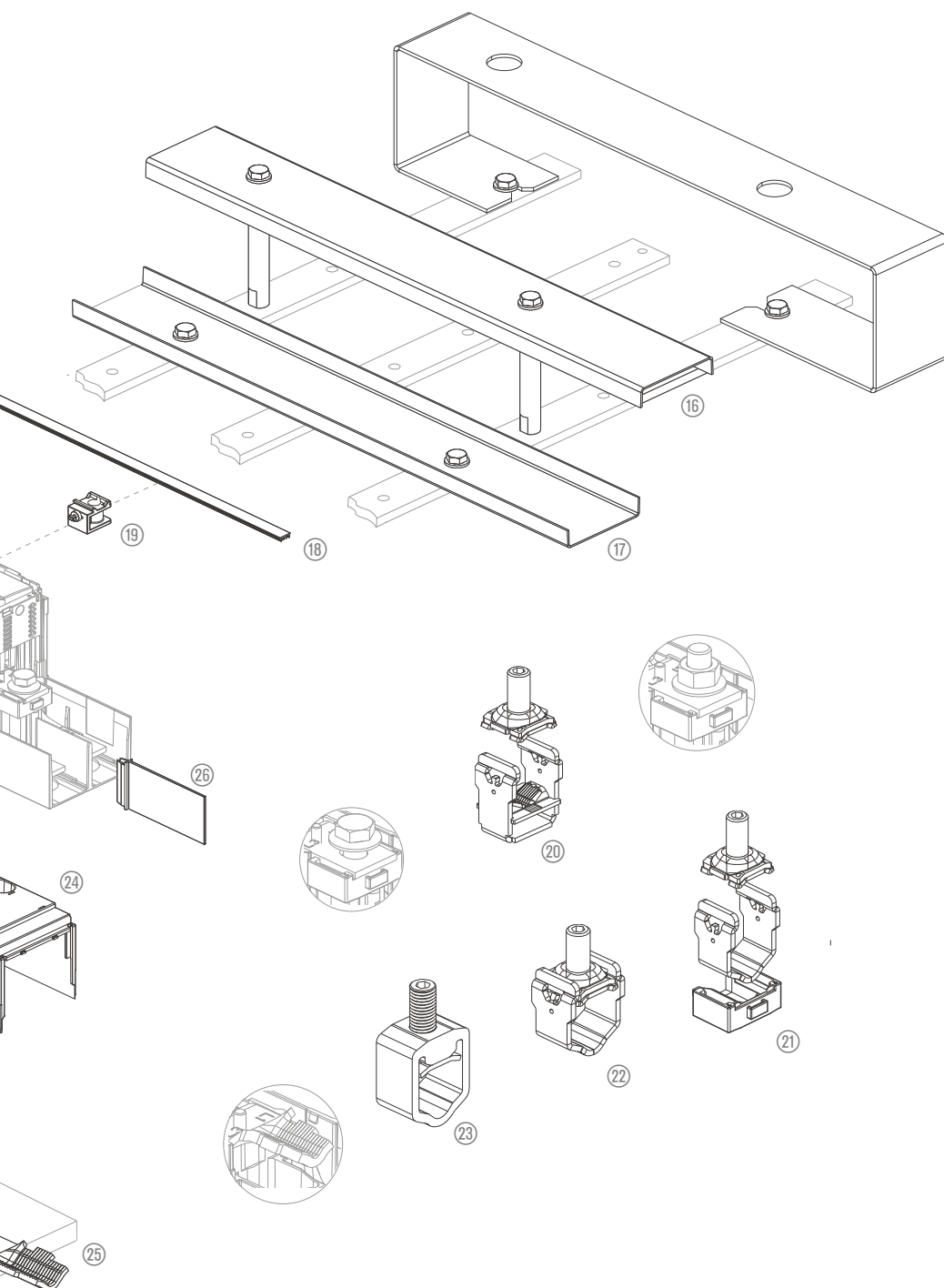
- ⑨ 36391-0010 Clip-on identification holder, short, E³, size 00/185
- ⑩ 36367-0010 3 contact hooks E³ 00/185 Eh 50 mm
- ⑪ included in the device (terminal cover)
- ⑬ 36376-0010 3 bolts M8x25, hexagon socket

E³ NH Fuse-Switches, vertical design

E³-NH Fuse-Switch, vertical design,
size 1 – 3
Accessories

Power distribution
components





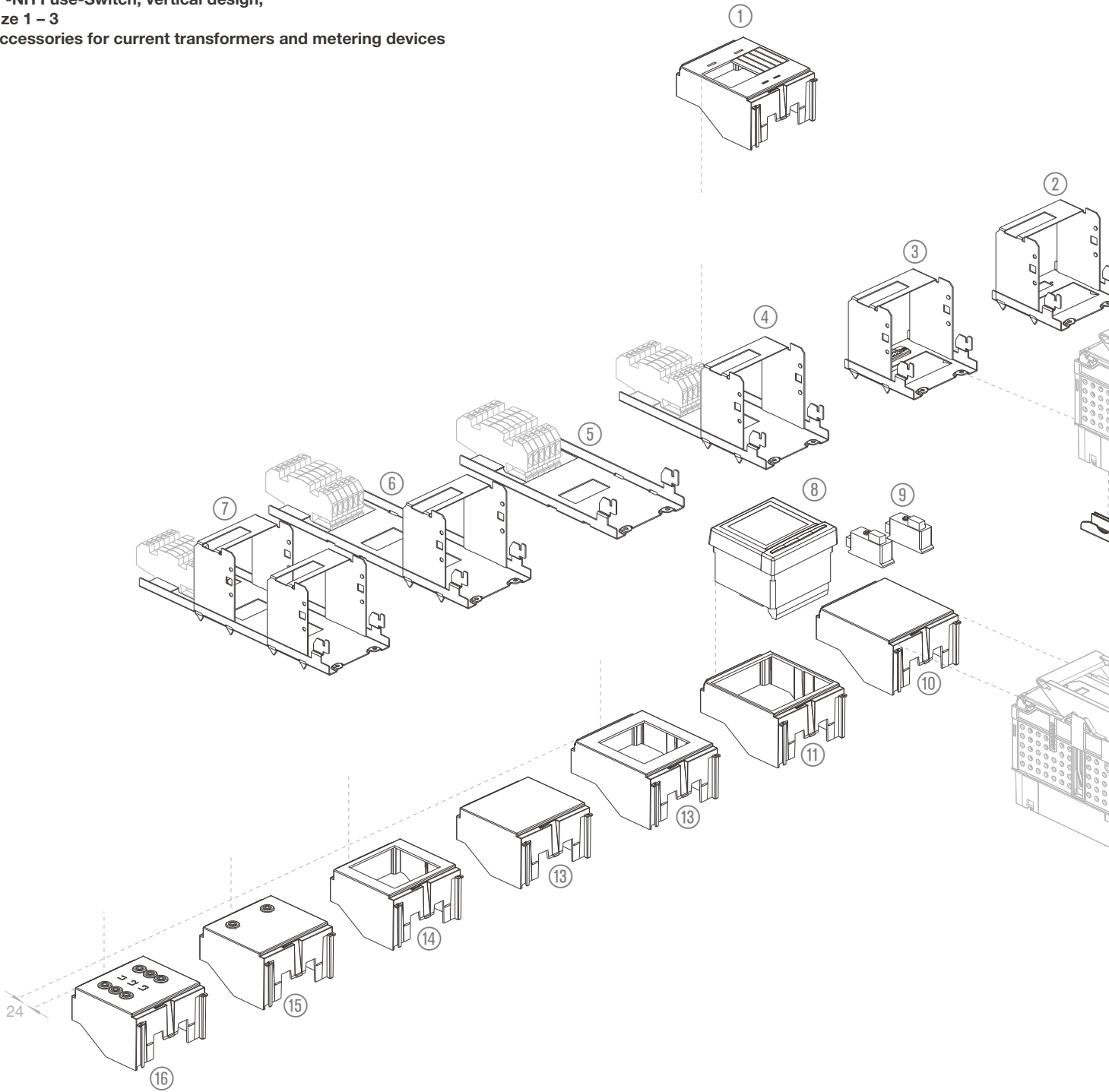
- ① 36407-0010 Handle cover E³, size 1-3, red, 3 pieces
- ② 36419-0010 Device carrier, low, with DIN adapter
- ③ 36356-0010 Designation Identification holder complete, short, size 1, EFEN
- ④ 36370-0010 Device carrier, low, with 6-pole plug-connection
- ⑤ 36437-0010 Device carrier E³, size 1 – 3, long, blanking element for adjustment
- ⑥ 36375-0010 6 microswitches for switch position indication E³, size, 1 – 3
- ⑦ Electronic fuse-monitoring
- ⑧ Included in the device (terminal cover)
- ⑨ 36354-0010 Contact hooks E³, size 1 – 3, 3 pieces
- ⑩ 36719-0010 Busbar terminal M12x30, 3 pieces
- ⑪ Upon request
- ⑫ 36727-0010 Lateral safety cover E³, size 00/185 – 3
- ⑬ Devices with flush handle
- ⑭ 36435-0010 E³ terminal cover, extra-long, size 1 – 3
- ⑮ 36444-0010 E³ connecting kit for 2 x 300 mm², size 1 – 3
- ⑯ 36410-0010 E³ blanking cover with stud size 1 – 3
- ⑰ 36409-0010 E³ blanking cover, size 1 – 3
- ⑱ 36390-0010 E³ universal sideframe 850 mm
- ⑲ 36331-0010 E³ angle bracket 4 pieces, size 00 – 3
- ⑳ 36350-0010 E³ clamp, fixed, 50 – 300 sm, 3 pieces, size 1-3
- ㉑ 36351-0010 E³ clamp, VEST, 35 – 240 rm, 3 pieces, size 1 – 3
- ㉒ 36353-0010 E³ clamp, complete, 35 – 240 rm, 3 pieces, size 1 – 3
- ㉓ 36298-0010 V2 MD clamp 240 sm / rm 3 pieces, size 1 – 3
- ㉔ 36438-0010 Terminal cover, short, E³, size 1 – 3
- ㉕ 36404-0010 PEN connection, size 1 – 3

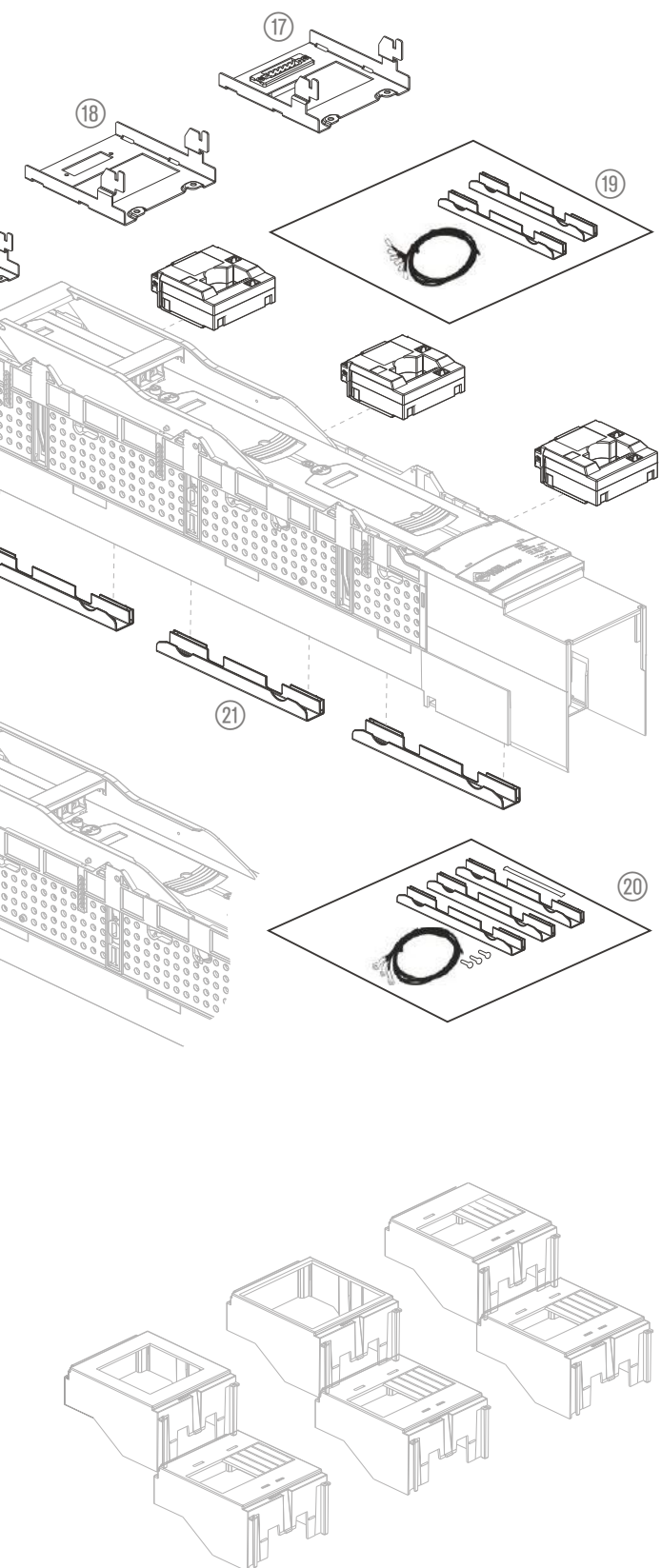
E³ NH Fuse-Switches, vertical design

E³-NH Fuse-Switch, vertical design,
size 1 – 3

Accessories for current transformers and metering devices

Power distribution
components



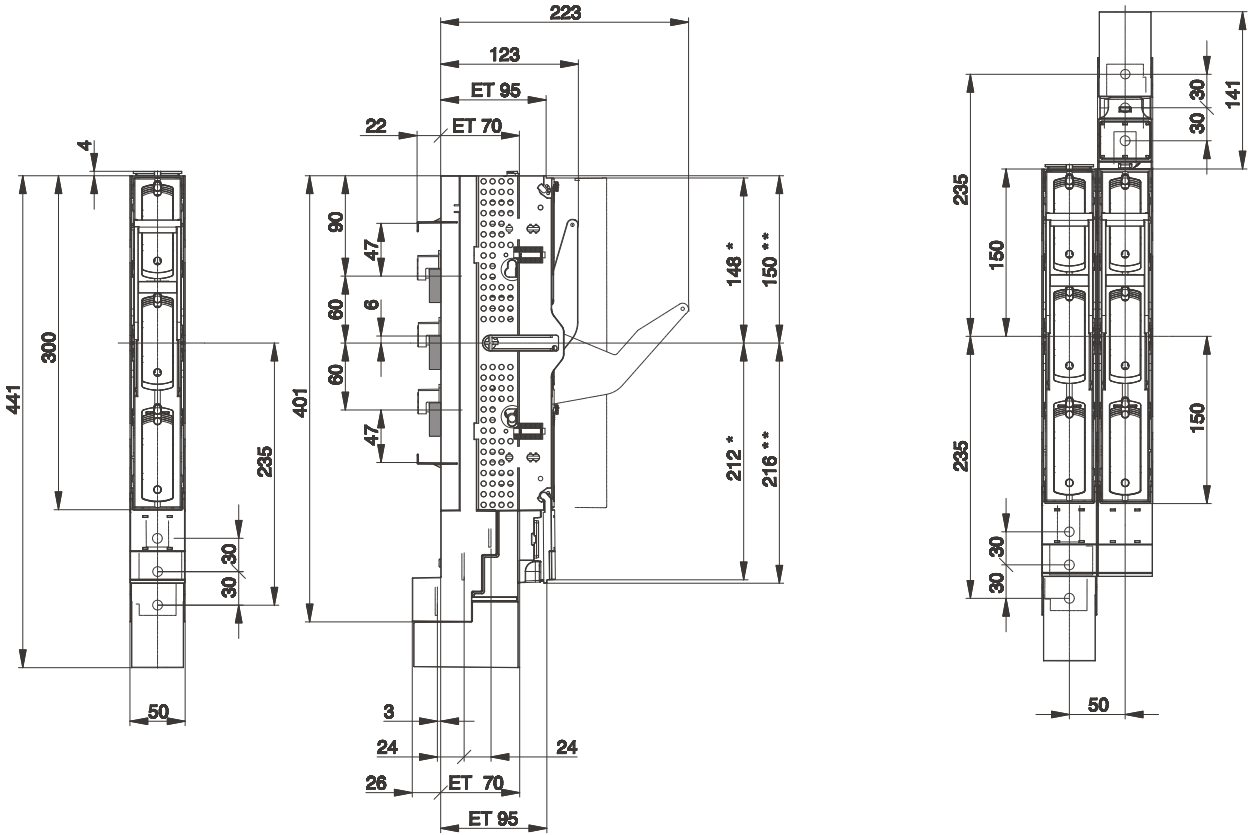


- ① 36428-0010 Device cover E³, size 1 – 3
- ② 36371-0010 Device carrier with DIN adapter
- ③ 36372-0010 Device carrier with DIN adapter,
6-pole plug-connection
- ④ 36373-0010 Device carrier with DIN adapter
with isolation terminal holder
- ⑤ 36420-0010 Device carrier, low, with isolation terminal holder
- ⑥ 36421-0010 Device carrier, long, with DIN adapter
- ⑦ 36374-0010 Device carrier with 2 DIN adapters
with isolation terminal holder
- ⑧ EM multifunctional metering devices
- ⑨ EM clip-on modules
- ⑩ 36437-0010 Device carrier E³, long, blanking element
for adjustment, size 1 – 3
- ⑪ 36422-0010 Device carrier E³, long, 96 x 96 mm, size 1 – 3
- ⑫ 36383-0010 Device carrier E³, long, 72 x 72 mm, size 1 – 3
- ⑬ 36425-0010 Device carrier E³, short, blanking element, size 1 – 3
- ⑭ 36424-0010 Device carrier E³, short, 72 x 96 mm, size 1 – 3
- ⑮ 36426-0010 Device carrier E³, short, 1-phase, size 1 – 3
- ⑯ 36427-0010 Device carrier E³, short, 3-phase, size 1 – 3
- ⑰ 36370-0010 Device carrier E³, low, with 6-pole plug
- ⑱ 36419-0010 Device carrier E³, low, with DIN adapter
- ⑲ 36429-0010 Wiring kit, 1-phase, for current transformers
- ⑳ 36431-0010 Wiring kit for voltage metering
- ㉑ 36382-0010 E³ clip-on cable holders, size 1 – 3

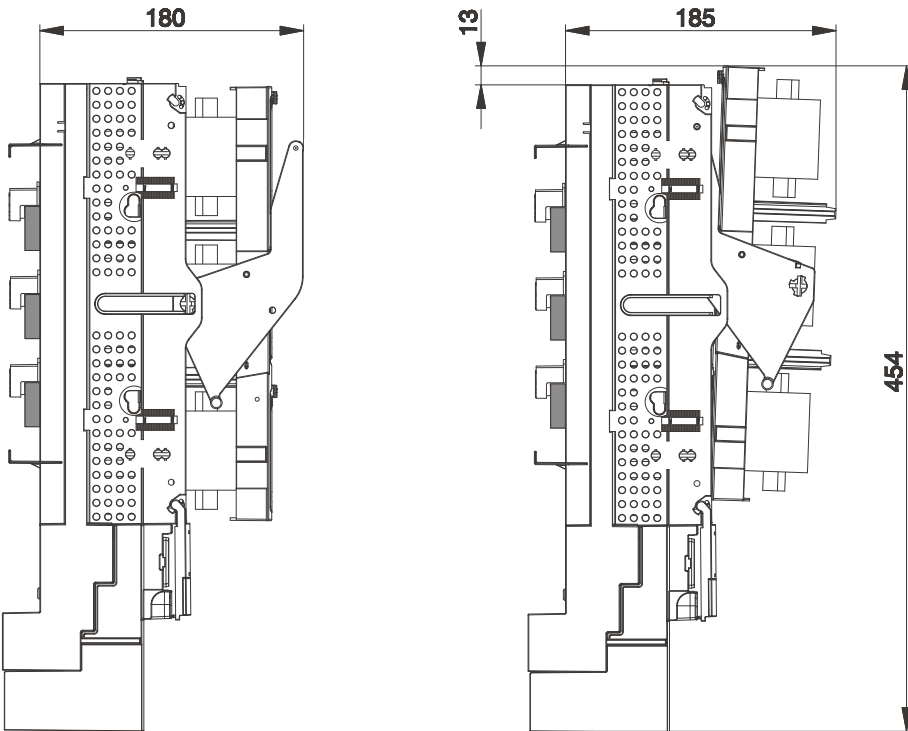
E³ NH Fuse-Switches, vertical design
Size 00/60

3-pole switching with long terminal cover (ARA)

Power distribution components



Park position

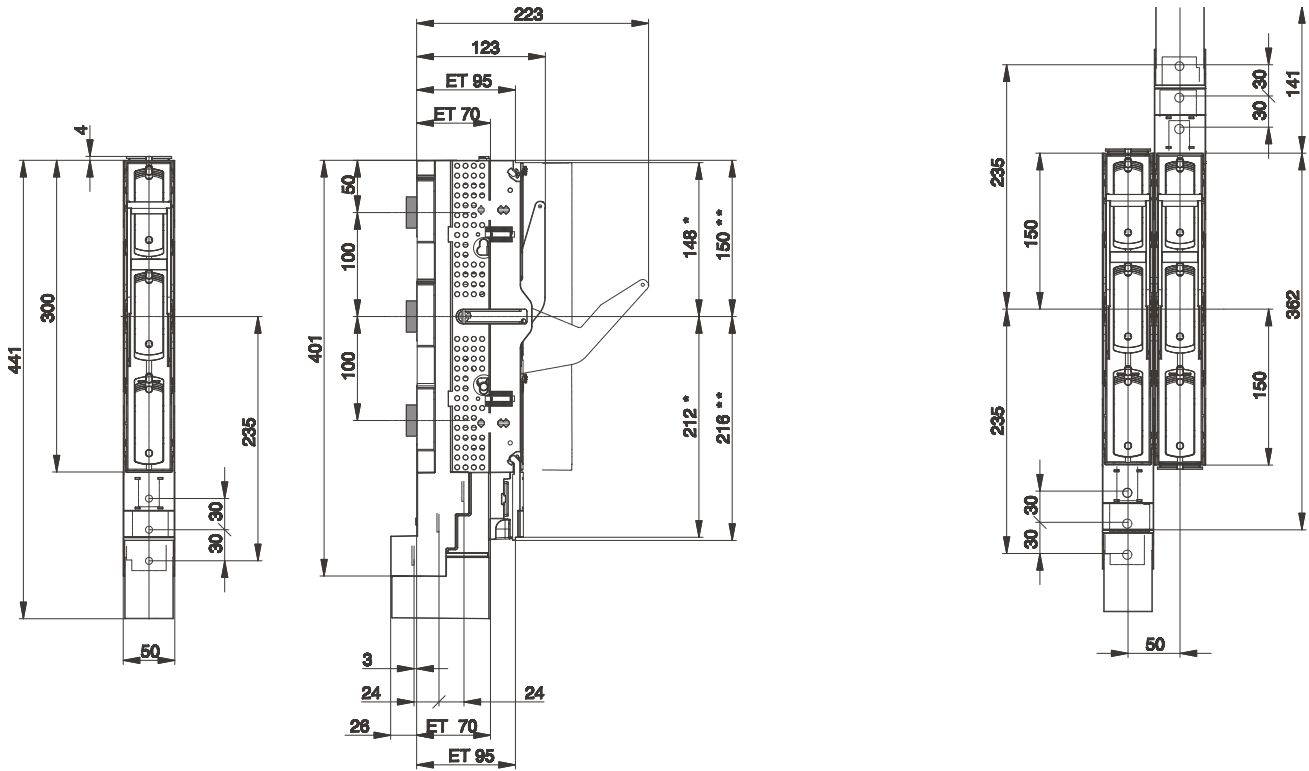


Cut-out dimensions ET 95 = * dimensions + 1 mm
 Cut-out dimensions ET 70 = ** dimensions + 1 mm
 ET = installation depth of the cover

EH NH Fuse-Switches, vertical design

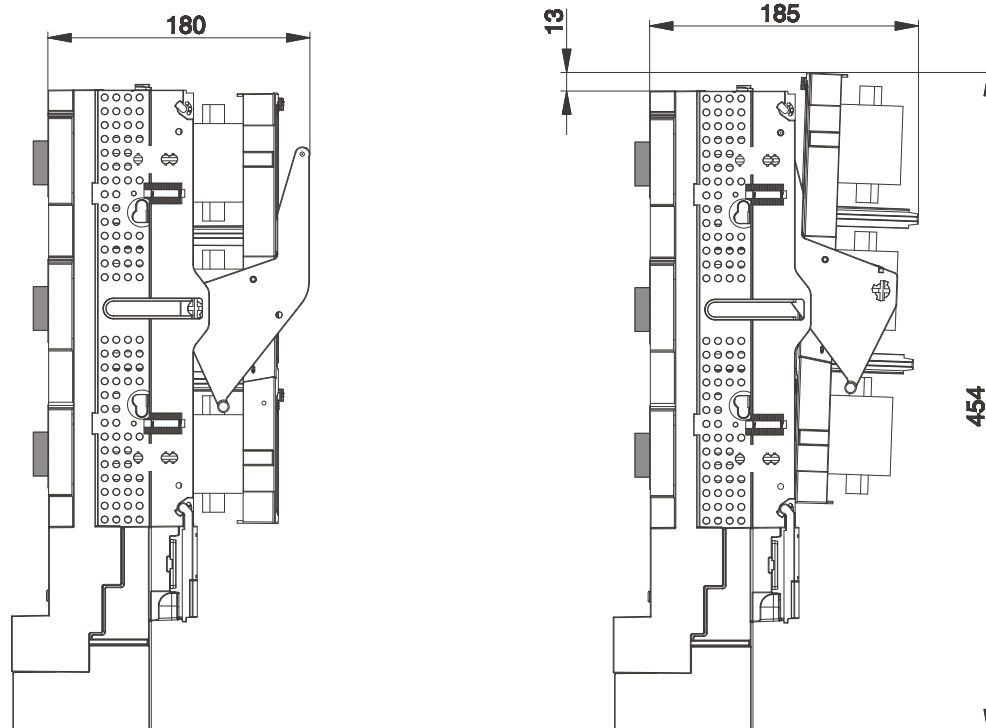
Size 00/100

3-pole switching with long terminal cover (ARA)



Power distribution components

Park position

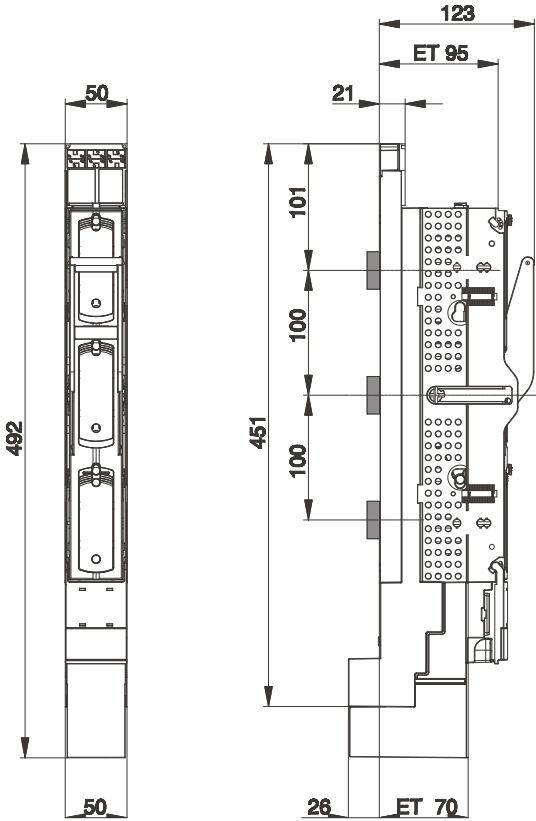


E³ NH Fuse-Switches, vertical design
Size 00/100

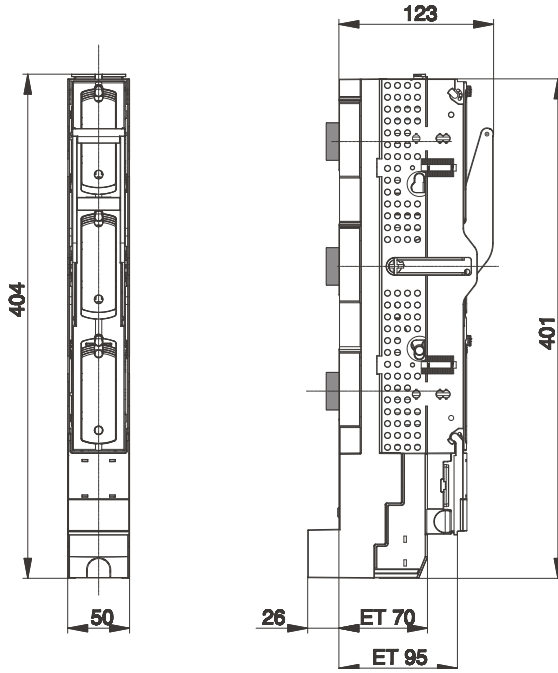
3-pole switching with current transformer

3-pole switching with standard terminal cover (ARA)

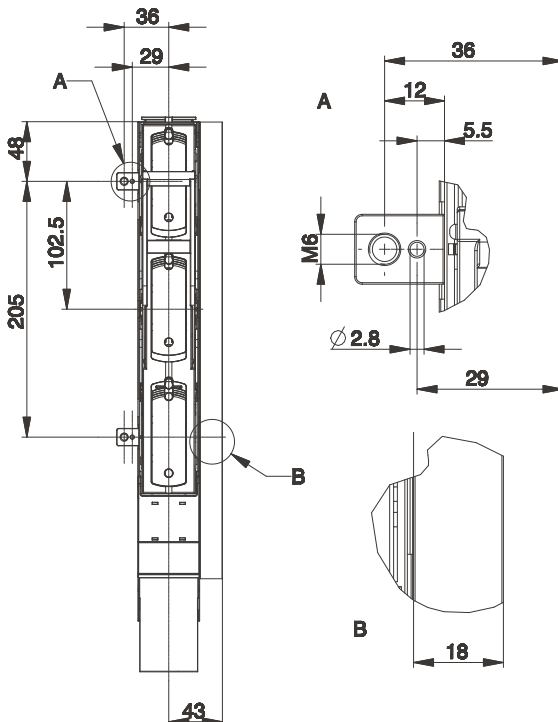
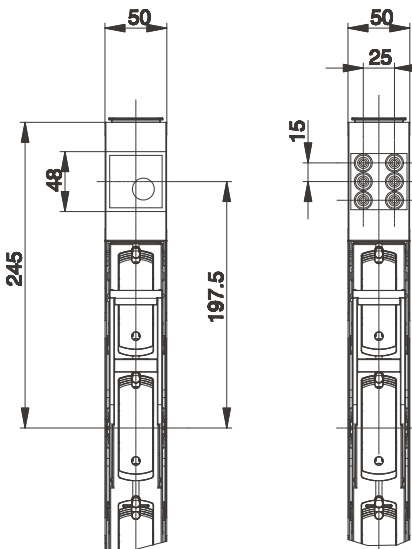
Power distribution components



Device carrier, short



Angle bracket and sideframe

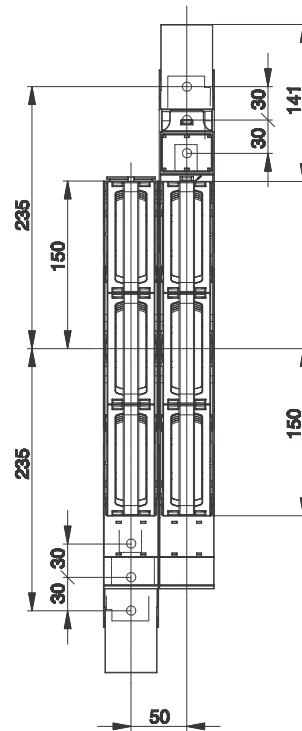
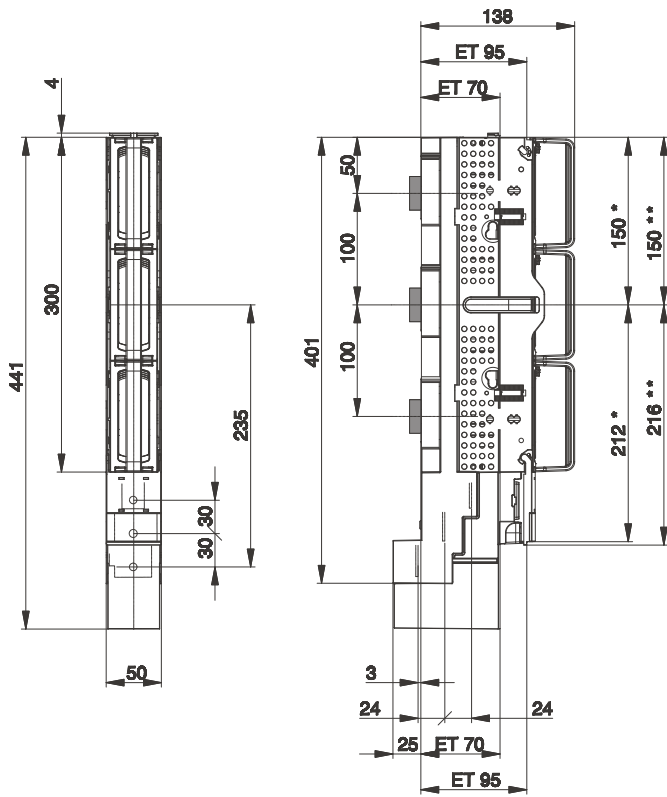


Cut-out dimensions ET 95 = ** dimensions + 1 mm
 Cut-out dimensions ET 70 = ** dimensions + 1 mm
 ET = installation depth of the cover

E³ NH Fuse-Switches, vertical design

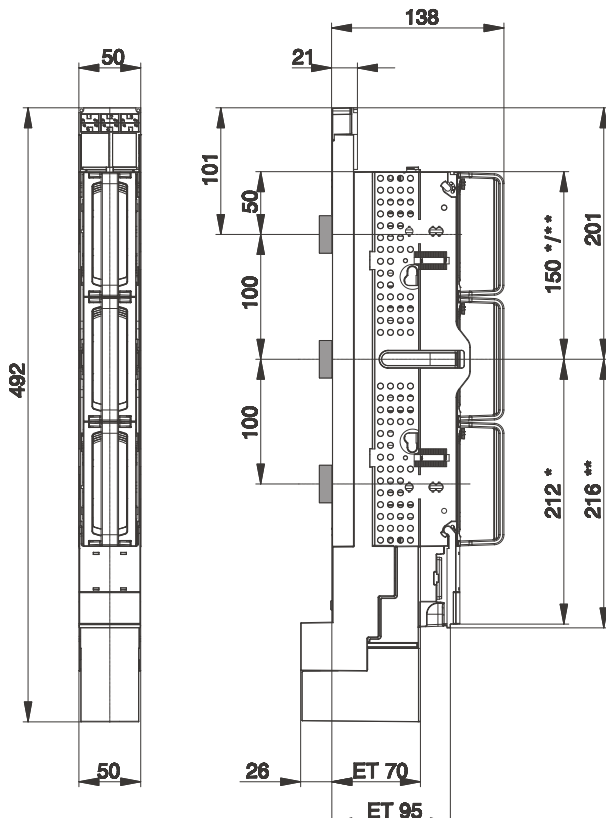
Size 00/100

1-pole switching with long terminal cover

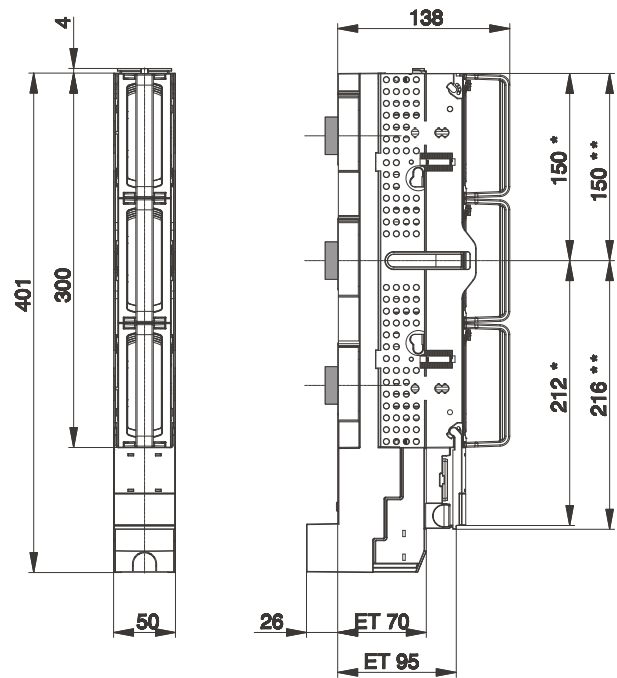


Power distribution
components

1-pole switching with current transformer



1-pole switching with standard terminal cover

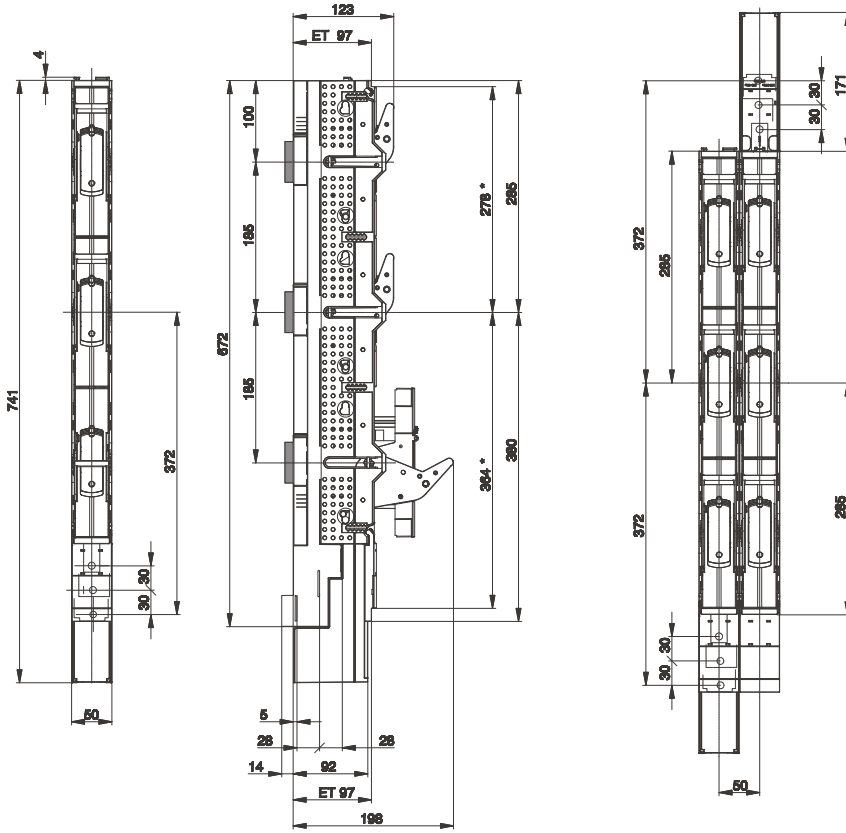


Cut-out dimensions ET 95 = ** dimensions + 1 mm
 Cut-out dimensions ET 70 = ** dimensions + 1 mm
 ET = installation depth of the cover

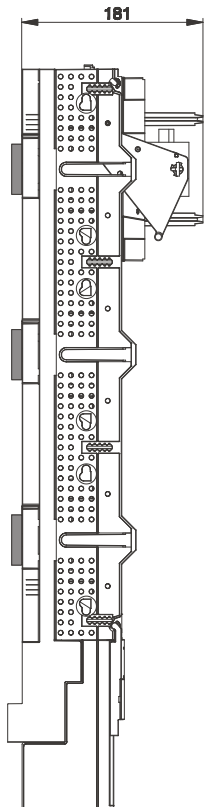
E³ NH Fuse-Switches, vertical design
Size 00/185

1-pole switching with standard terminal cover

Power distribution components



Park position

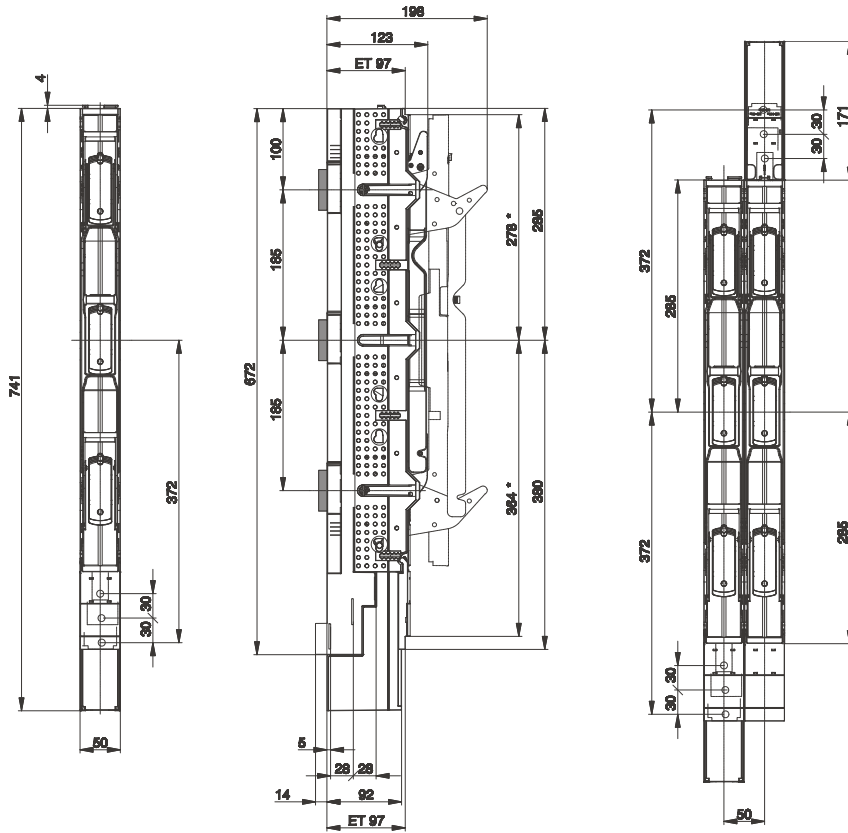


Cut-out dimensions ET 97 = * dimensions + 1 mm
 ET = installation depth of the cover

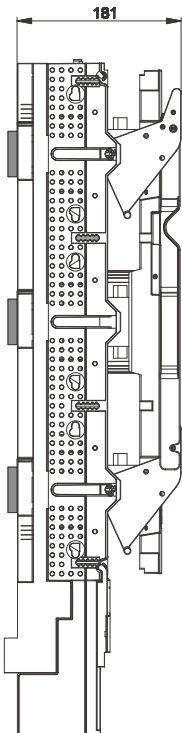
EH NH Fuse-Switches, vertical design

Size 00/185

3-pole switching with standard terminal cover



Park position



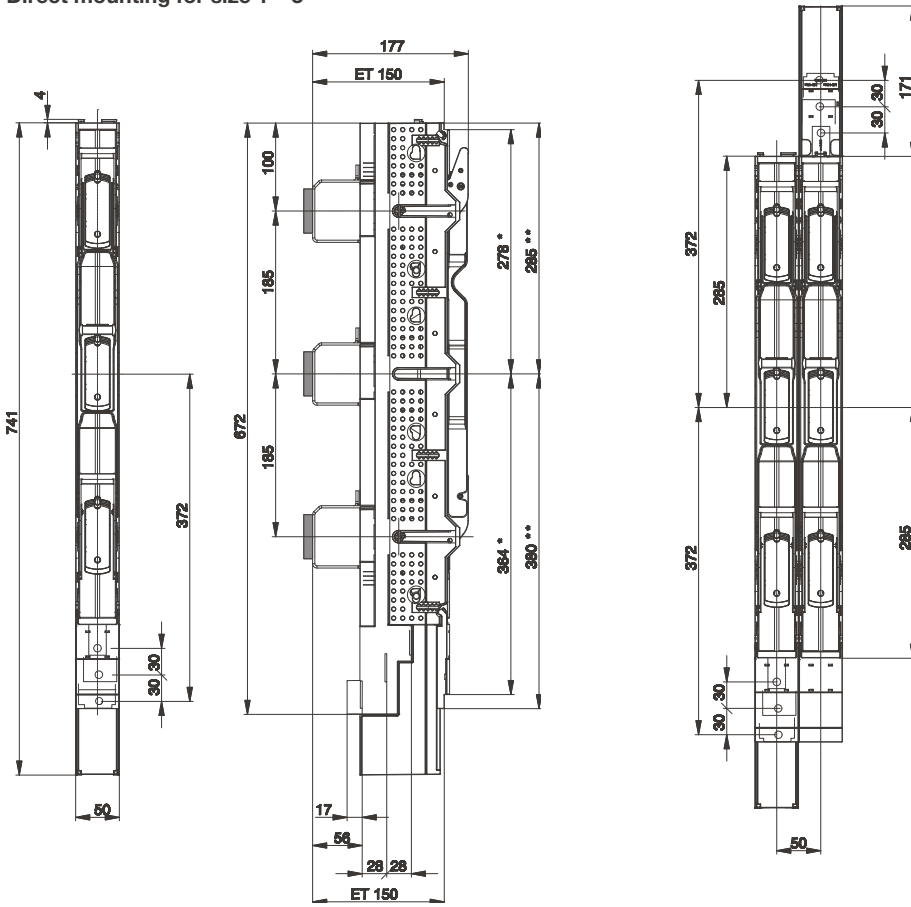
Cut-out dimensions ET 97 = * dimensions + 1 mm
ET = installation depth of the cover

Power distribution
components

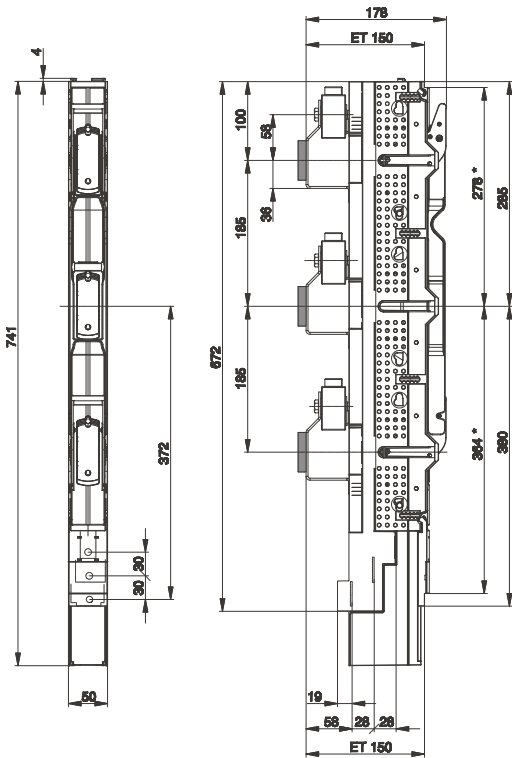
EFEN NH Fuse-Switches, vertical design Size 00/185

Direct mounting for size 1 – 3

Power distribution components



Direct mounting for size 1 – 3 with current transformer



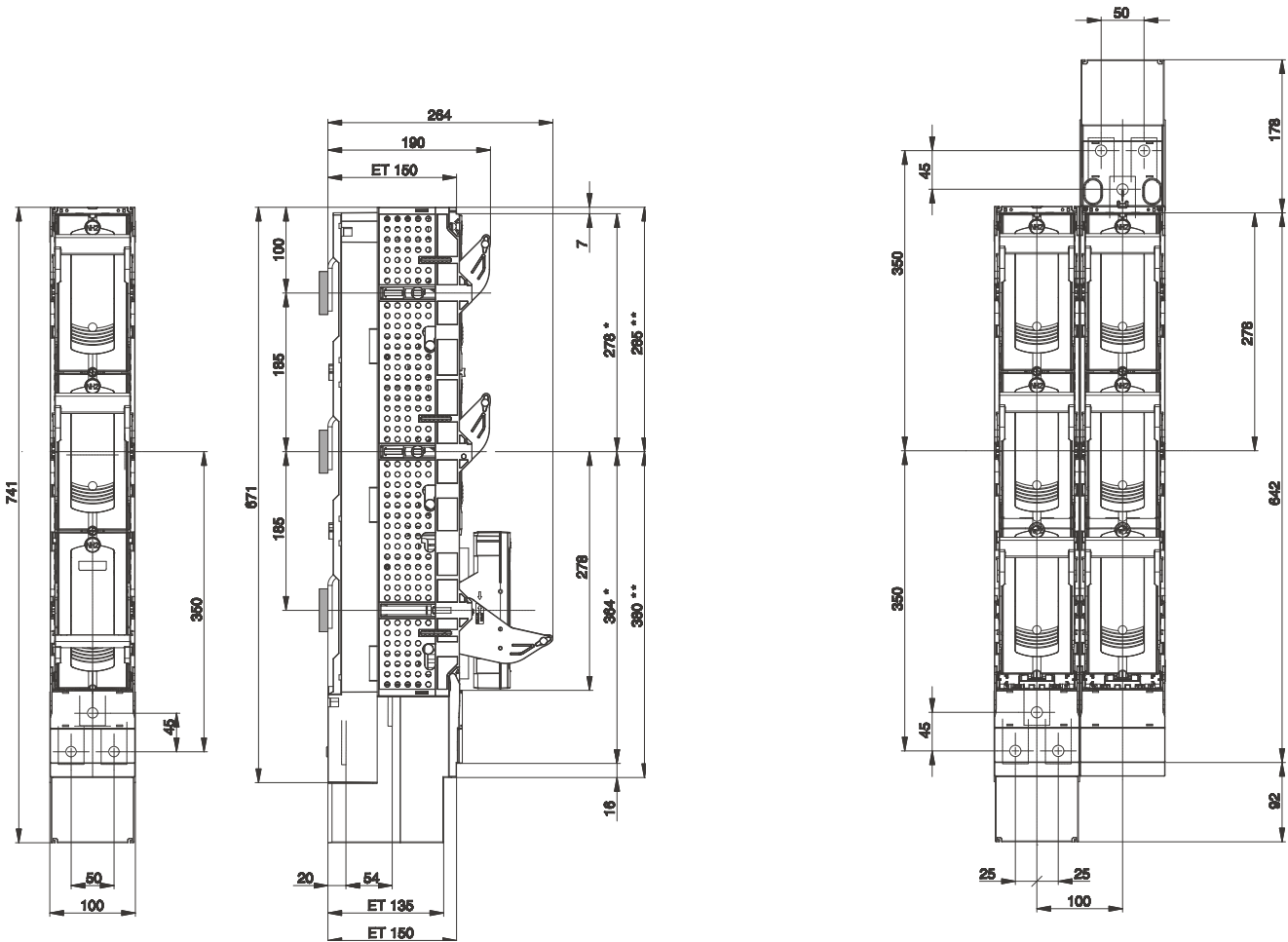
Cut-out dimensions ET 150 = * dimensions + 1 mm
ET = installation depth of the cover

EFEN NH Fuse-Switches, vertical design

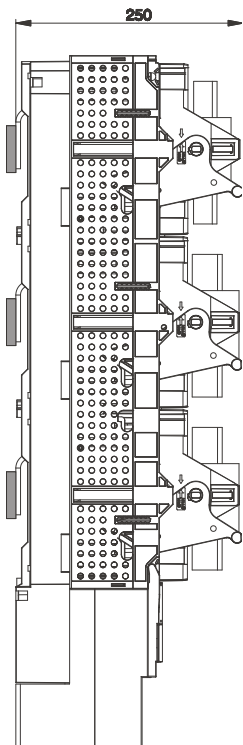
Size 1 – 3

1-pole switching with standard terminal cover

Power distribution components



Park position

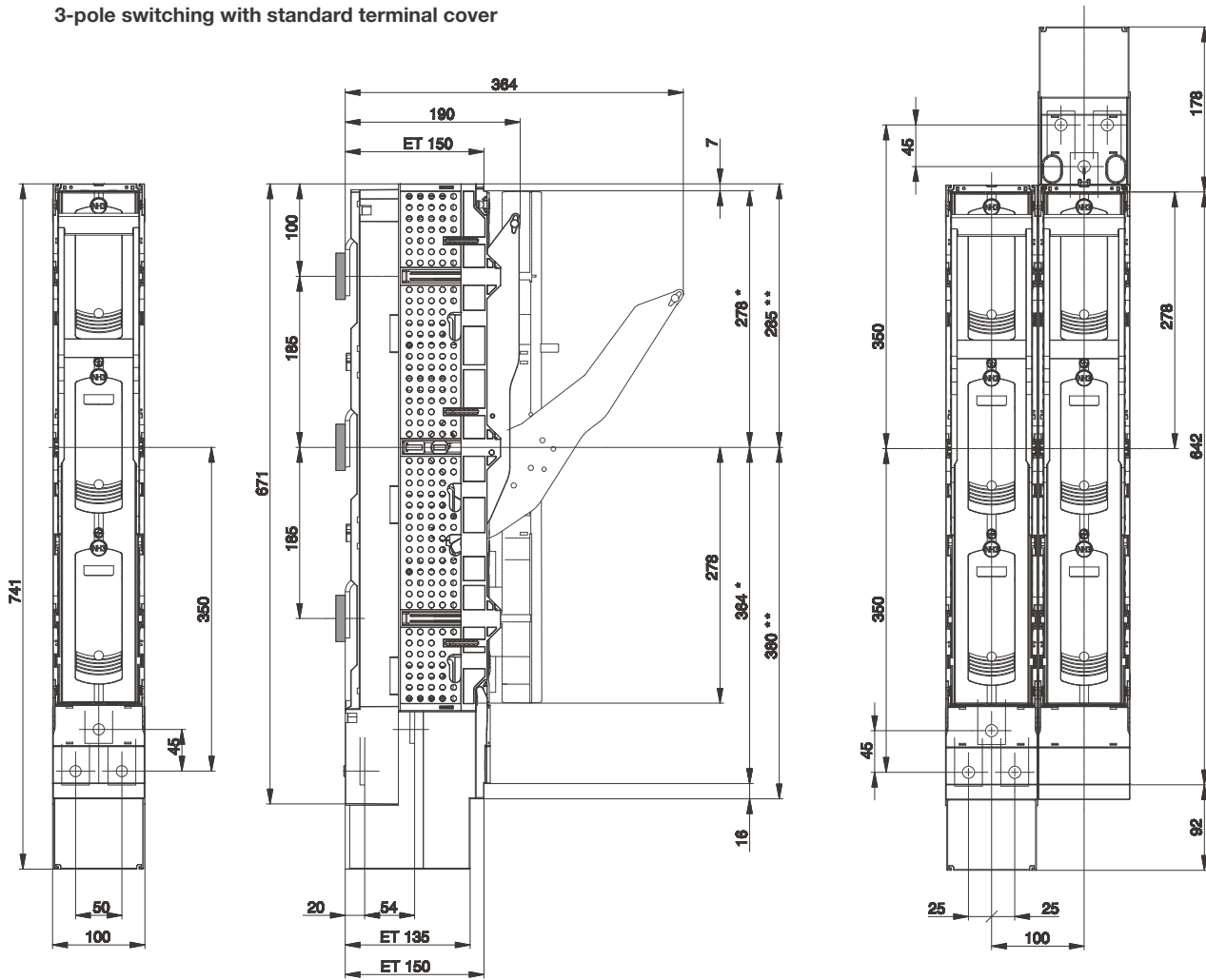


Cut-out dimensions ET 150 = * dimensions + 1 mm
 Cut-out dimensions ET 120 - 145 = ** dimensions + 1 mm
 ET = installation depth of the cover

E³ NH Fuse-Switches, vertical design

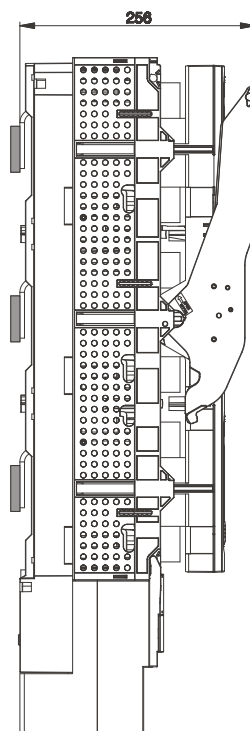
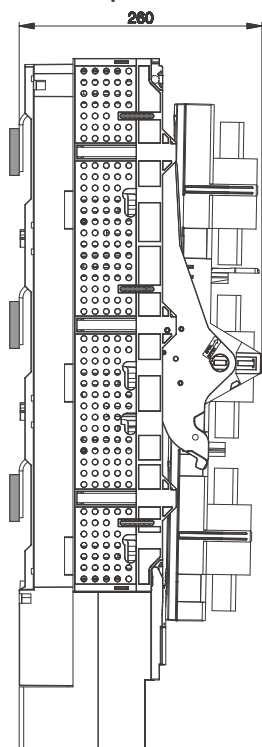
Size 1 – 3

3-pole switching with standard terminal cover



Power distribution components

Park position



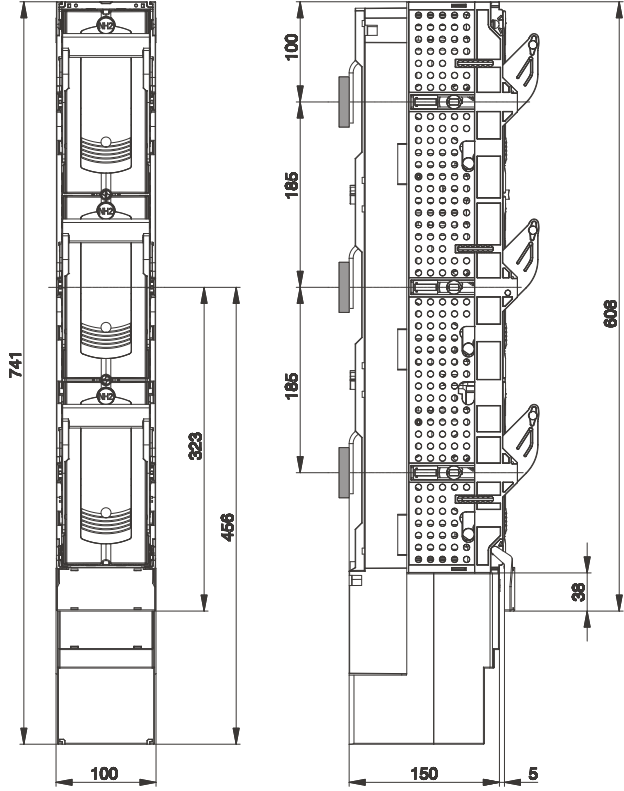
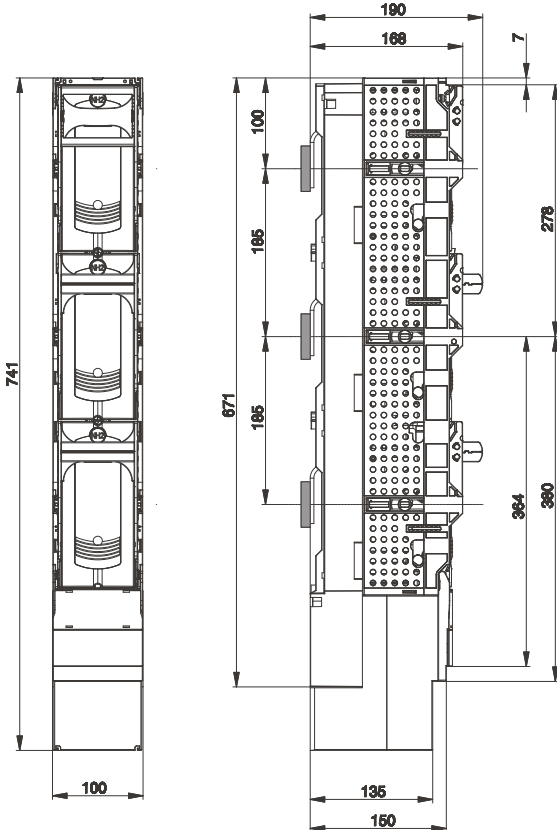
Cut-out dimensions ET 150 = * dimensions + 1 mm
 Cut-out dimensions ET 120 - 145 = ** dimensions + 1 mm
 ET = installation depth of the cover

EFEN NH Fuse-Switches, vertical design Special versions

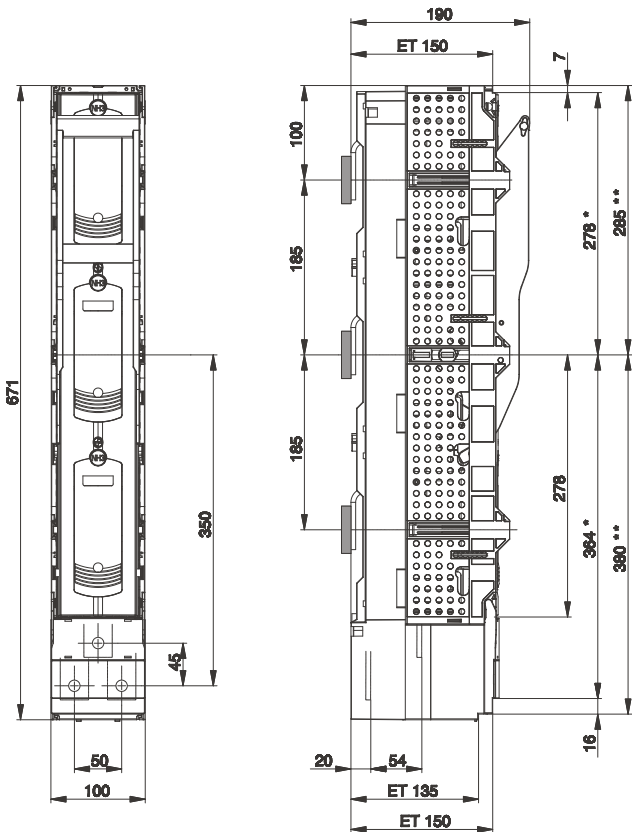
Low installation depth

Carrier for identification label, short

Power distribution components



Terminal cover, short

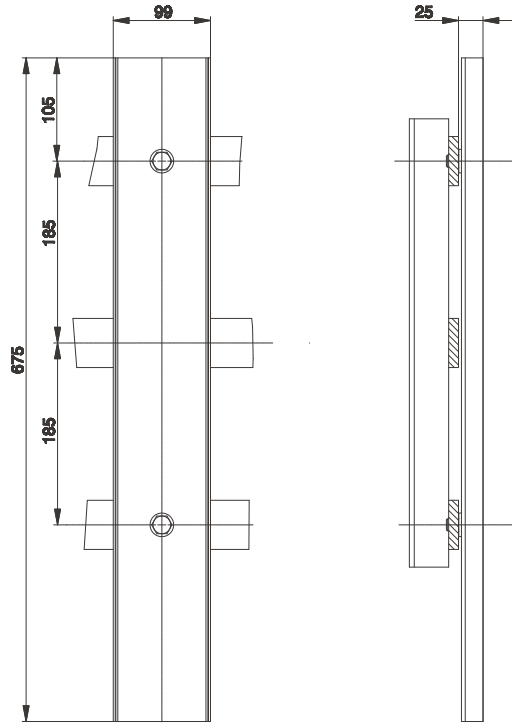


Cut-out dimensions ET 150 = * dimensions + 1 mm
 Cut-out dimensions ET 120 - 145 = ** dimensions + 1 mm
 ET = installation depth of the cover

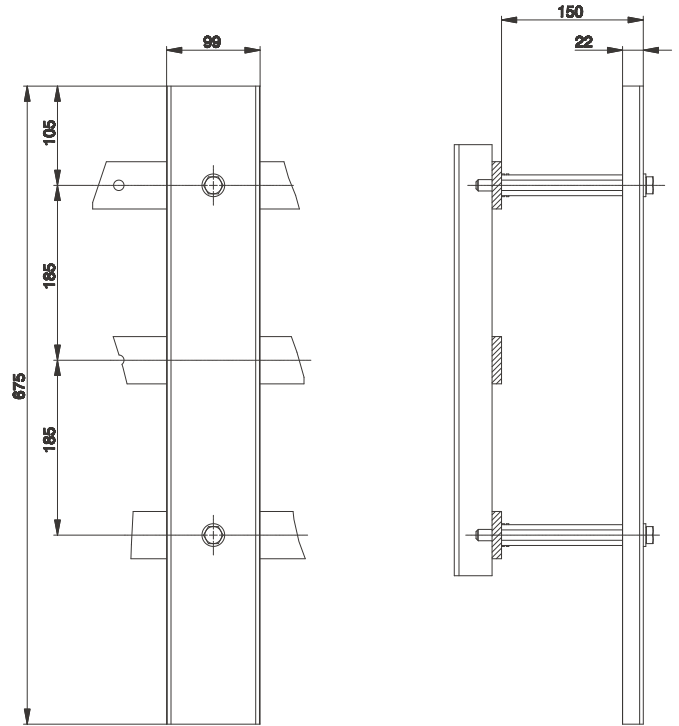
Ε³ NH Fuse-Switches, vertical design

Blanking covers, size 1 – 3

Cover mounted directly onto the busbar
36409-0010



Cover with spacer stud for elevated mounting
36410-0010

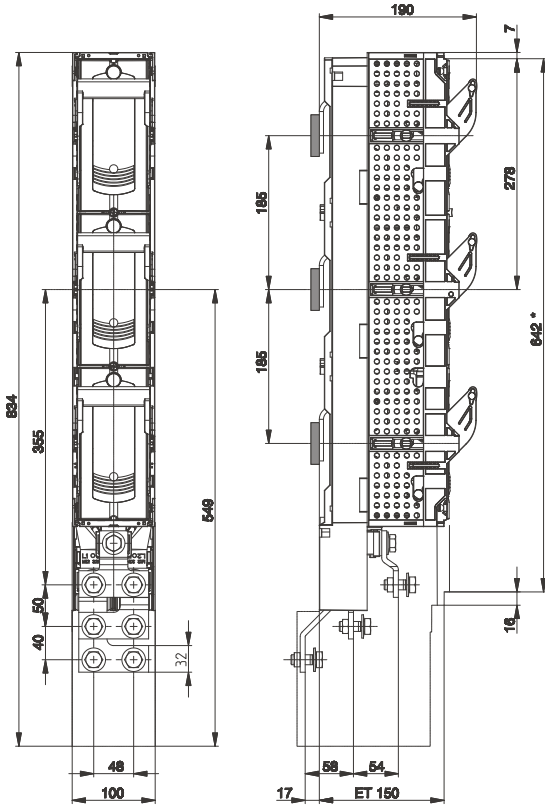


Power distribution
components

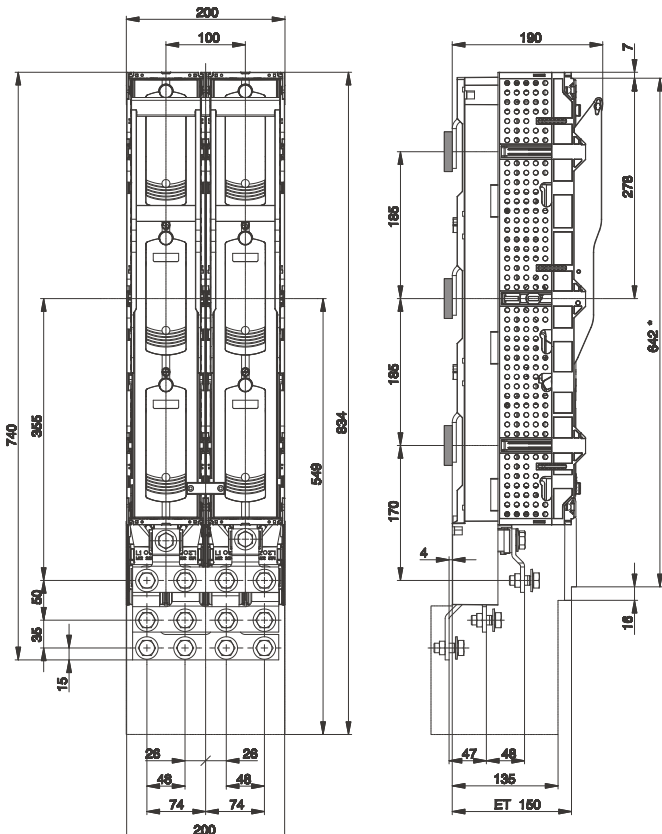
Ε³ NH Fuse-Switches, vertical design 1000 and 2000 A

Feed switch 1000 A with fixed solid-link

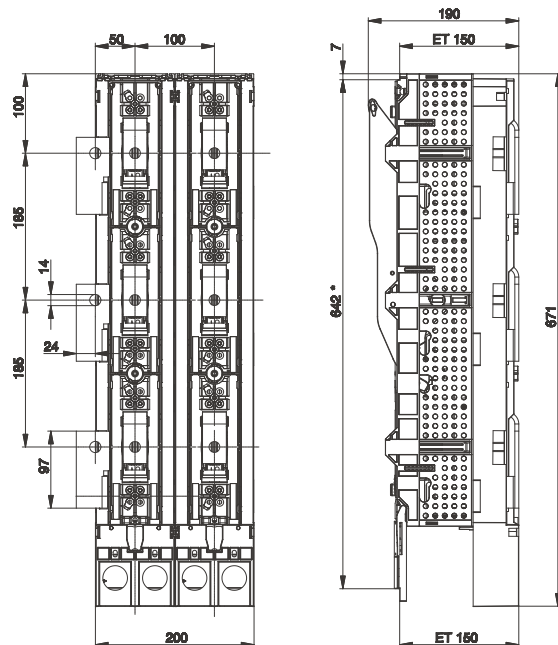
Power distribution
components



Feed switch 1000 A with fixed solid-link, parallel switching



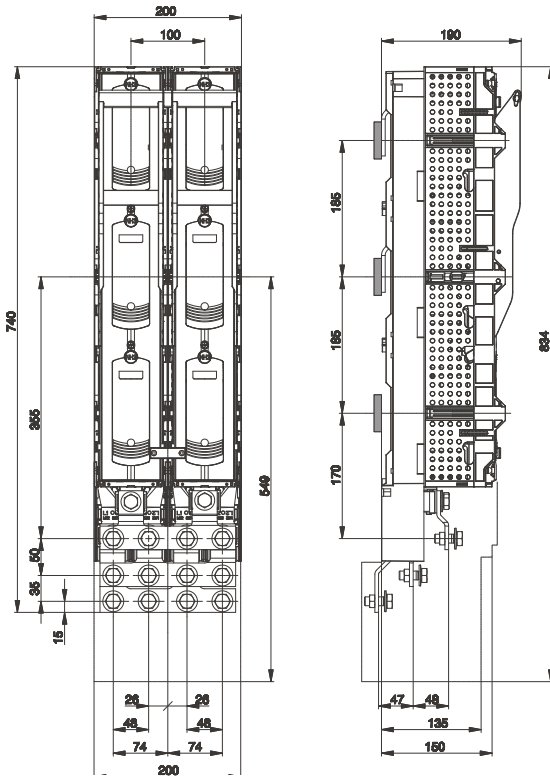
Feed switch 1000 A with fixed solid-link,
parallel switching, terminal on the left-hand side



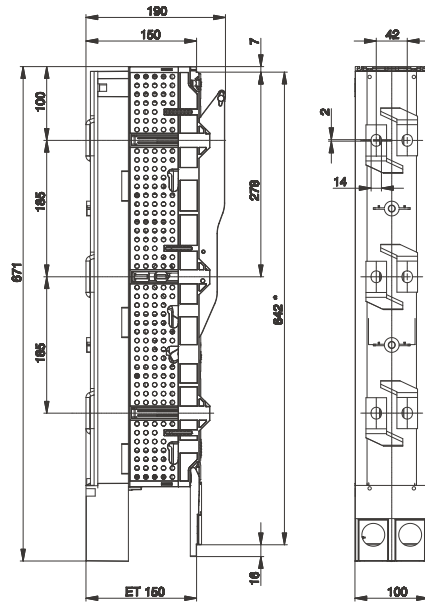
Cut-out dimensions ET 150 = * dimensions + 1 mm
Cut-out dimensions ET 120 - 145 = ** dimensions + 1 mm
ET = installation depth of the cover

EH NH Fuse-Switches, vertical design Various designs

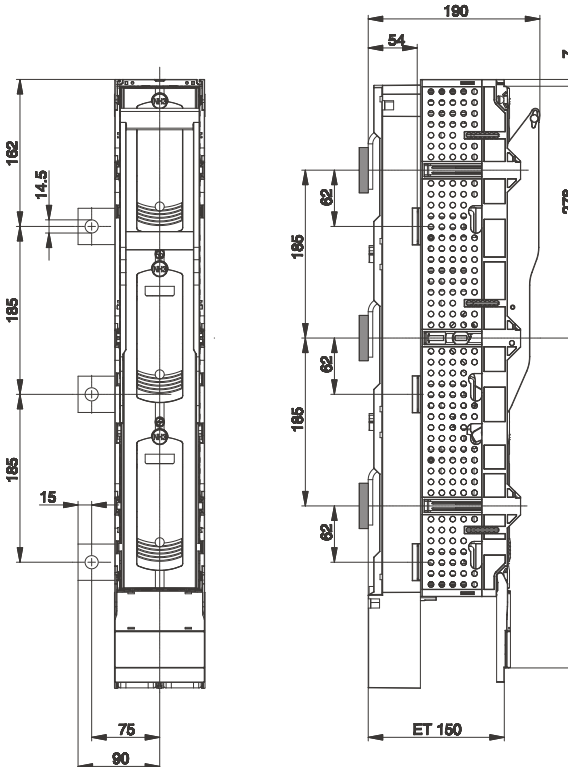
NH Fuse-Switch, vertical design, parallel switching



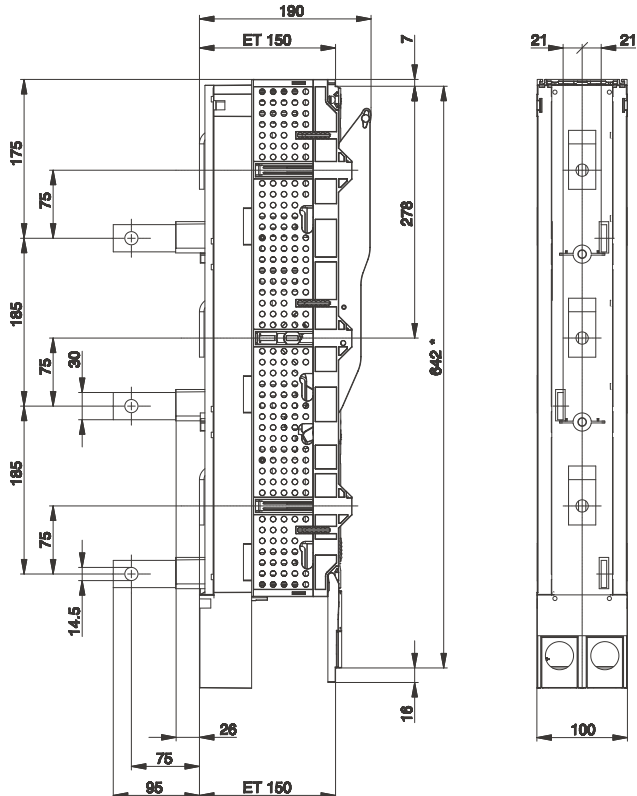
Internal terminal 630/1000 A



Lateral terminal 630/1000 A



Terminal on the rear side 630/1000 A



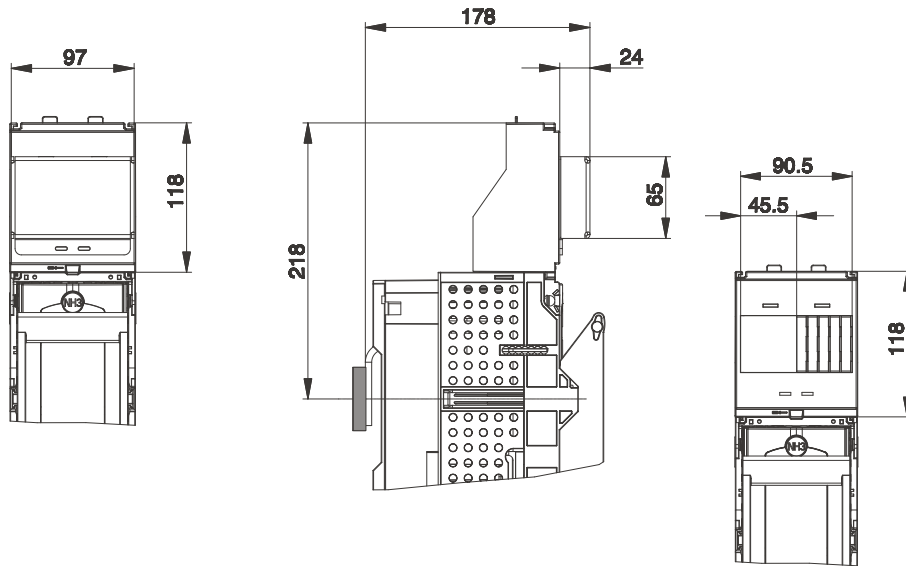
Power distribution
components

EFEN NH Fuse-Switches, vertical design

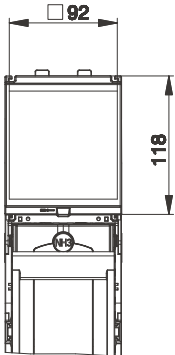
Accessories, size 1 – 3

Device cover 36428-0010
Sealing kit 36434-0010

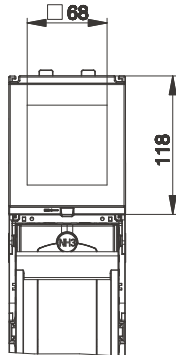
Power distribution components



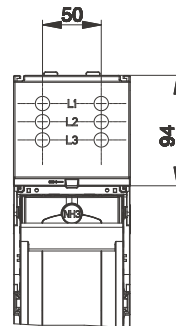
Device carrier, long
36422-0010



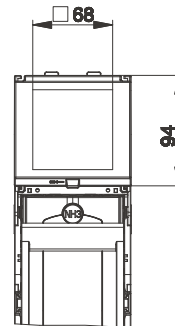
Device carrier, long
36383-0010



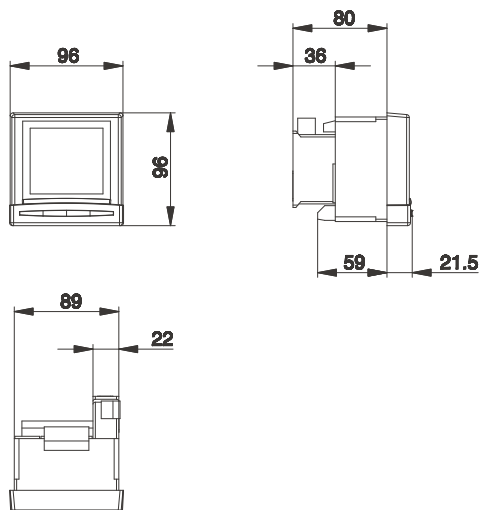
Device carrier, short
36427-0010



Device carrier, short
36424-0010



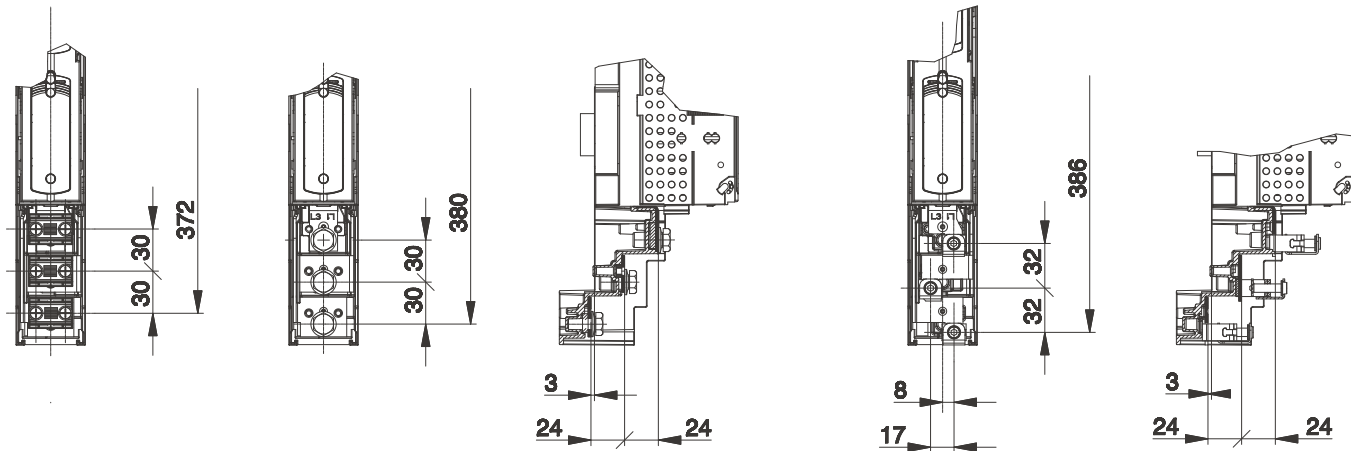
Multi-metering device
Plug-in module



Ε³ NH Fuse-Switches, vertical design

Terminal connection, size 00, 60/100/185 mm

Terminal connection, size 00, 60/100 mm

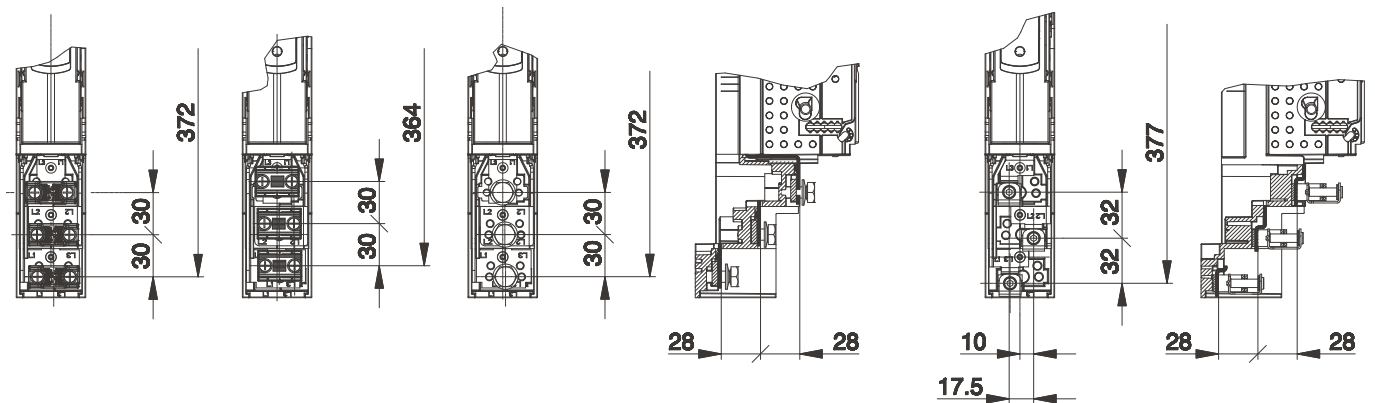


Terminal with pressure plates and contact prism, max. 95 mm²

Screw terminal M8 x 14

Box clamp, max. 95 mm²

Terminal connection, size 00, 185 mm



Terminal with pressure plates and contact prism, max. 150 mm²

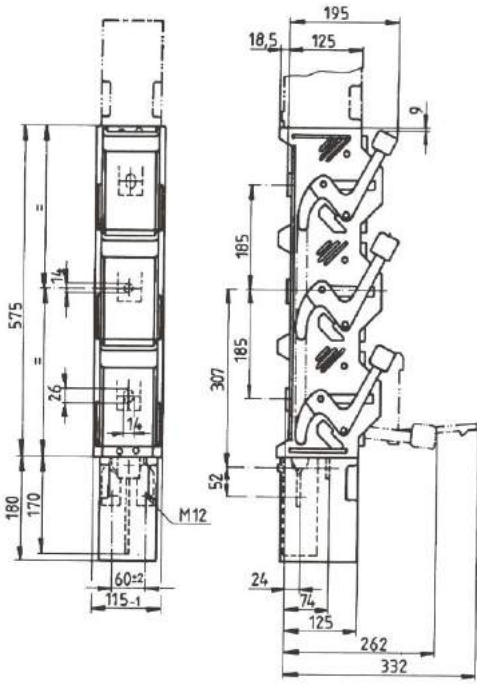
Screw terminal M8 x 14

Box clamp, max. 95 mm²

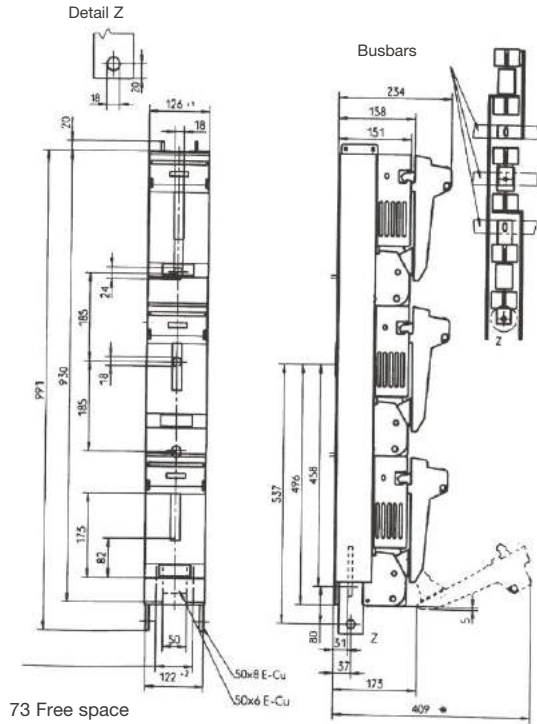
Power distribution components

NH Fuse-Switches, vertical design

NH Fuse-Switch, vertical design, size 3: 630 A



NH Fuse-Switch, vertical design, size 4a: 1250/1600 A

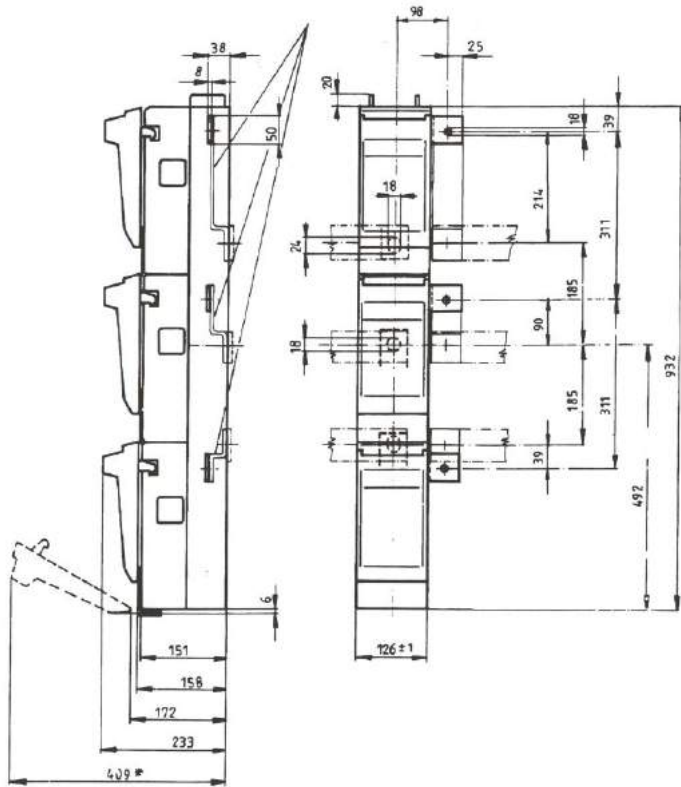


Power distribution components

NH Fuse-Switches, vertical design

NH Fuse-Switch, coupling unit, size 4a: 1250 A

Contact angles to be manufactured by customer

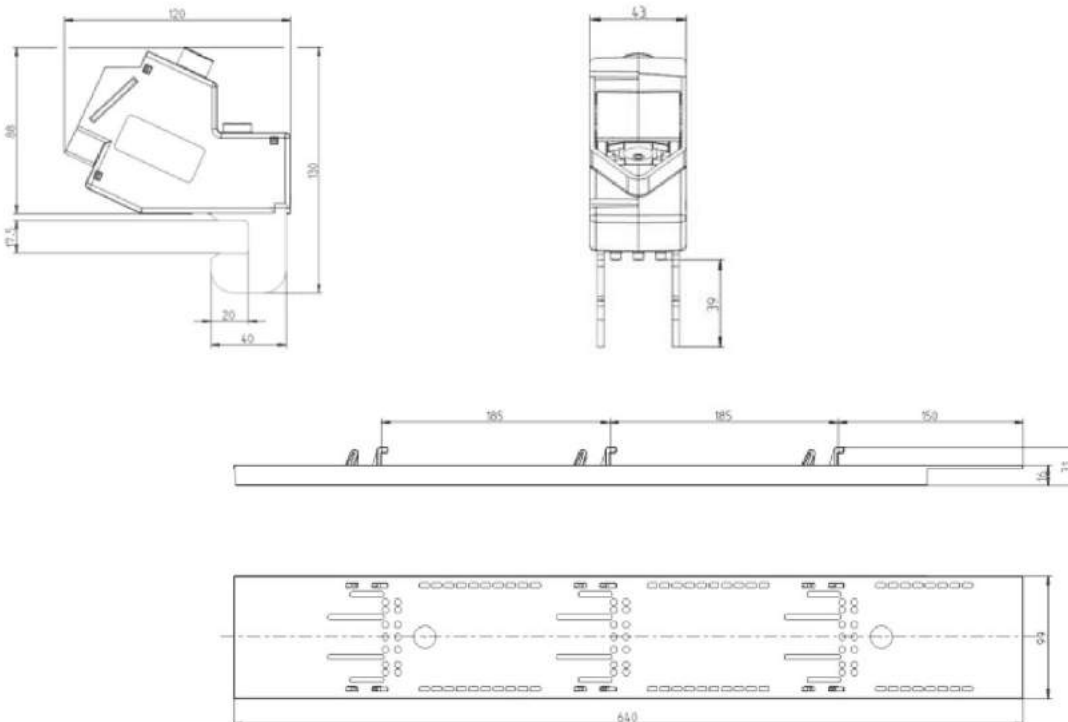


EH NH Fuse-Switches, vertical design, for IP2X applications

For NH Fuse-Switches, vertical design, according to VDE 0660 T-107 / IEC/EN 60947-1/-3

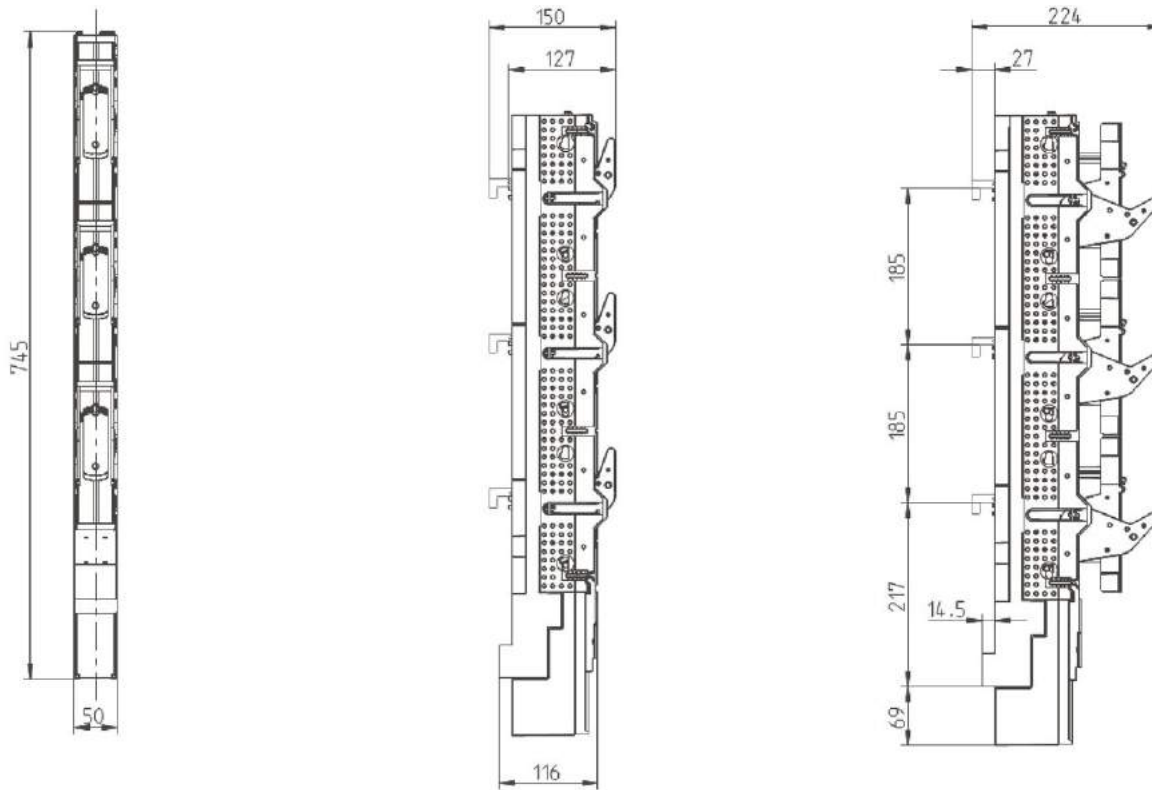
Suitable for NH fuse-links acc. to DIN 43210/1				Size 00	Size 1	Size 2	Size 3
Rated operating current	400 V	I_e	A	160	250	400	630
	500 V			160	250	400	630
	690 V			160	200	315	500
Conventional free-air thermic current		I_{th}	A	220	250	400	630
Rated operating voltage		U_e	V	AC 690	AC 690	AC 690	AC 690
Rated insulation voltage		U_i	V	1000	1000	1000	1000
Rated impulse withstand-current		U_{imp}	kV	8	12	12	12
Conditional rated short-circuit current (when protected by NH fuse-links)	400 V		kA_{eff}	100	120	120	120
	500 V			100	120	120	120
	690 V			100	100	100	100
Utilization category VDE 0660 T107 / EN/IEC 60947-3	400 V			AC-23B	AC-23B	AC-23B	AC-23B
	500 V			AC-22B	AC-22B	AC-22B	AC-22B
	690 V			AC-21B	AC-21B	AC-21B	AC-21B
Mechanical service life		Cycles		1400	1400	800	800
Electrical service life		Cycles		200	200	200	200
Permissible ambient temperature		°C		-25 to +55	-25 to +55	-25 to +55	-25 to +55
Degree of prot. acc. to DIN/EN 60529 / VDE 0470 T1		IP		30	30	30	30
Max. permissible power dissipation of the NH fuse-link		P_v	W	12	23	34	48
Total power dissipation (device without fuse-link)		P_v	W	22	22	45	89
Pollution degree		-	-	3	3	3	3
Overvoltage category		-	-	IV	IV	IV	IV
Rated frequency		-	Hz	50-60	50-60	50-60	50-60
Weight without NH fuse-link		-	kg	2,00	4,71	5,41	6,10

Power distribution components



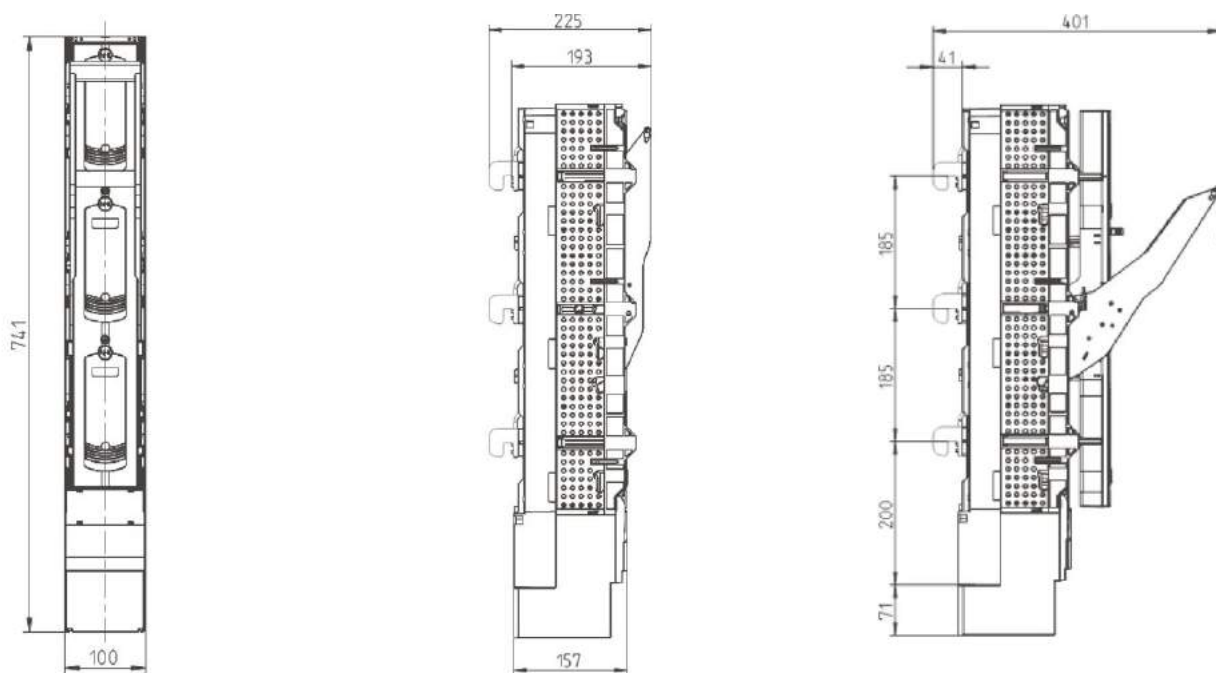
EH NH Fuse-Switches, vertical design, for IP2X applications

NH Fuse-Switches, vertical design, size 00



Power distribution components

NH Fuse-Switches, vertical design, size 1 - 3



NH Fuse-Switches, vertical design

NH Fuse-Switches, vertical design, 630 kVA

The requirements for HV fuse-links are defined in standard IEC 60282-1. In Germany, the allocation of HV fuse-links to transformers is specified in standard DIN VDE 0670 part 402. This applies whenever a main fuse-link according to DIN VDE 0636 part 2011, utilization category "gTr" is used on the secondary side of the transformers. The selectivity between HV back-up fuse-links and NH main fuse-links of type "gTr" required by operators is thereby ensured.

The characteristic curve of the NH fuse-link of utilization category "gTr" according to DIN VDE 0636 part 2011 is adjusted to the thermal capacity of the transformers and the HV fuse-link. This allows the optimal utilization of the transformers' overload capacity. Transformer fuse-links of utilization category "gTr" must be able to withstand the 1.3-fold transformer rated current for at least 10 hours. The fuse-link trips at the 1.5-fold transformer rated current within a period of 2 hours. Transformer fuse-links are designated in accordance with the transformer rated current in kVA.

In practice, this means that e.g. an NH fuse-link of size 3, 630 kVA, can withstand an operating current of 1182 A for a minimum period of 10 hours. Such a high load not only increases the NH fuse-link's power dissipation, but also puts additional load on the NH fuse-switch used in the system. Accordingly, a sufficiently rated NH fuse-switch must be used.

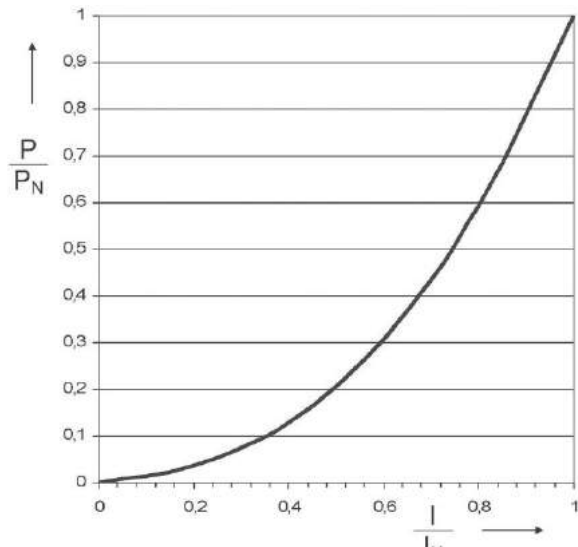
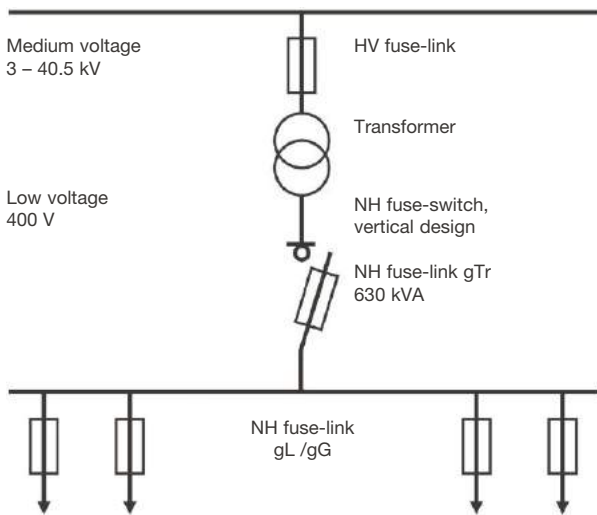
NH fuse-switch devices with a rated operating current of 910 A are not suitable for use with 630 kVA fuse-links as outlined above. Even when using a fuse-link of the next lower rating of 500 kVA, the switching device operated with a current of 1.3 times the rated transformer current must withstand an operating current of 939 A over a minimum period of 10 hours. In this case, the operator must provide additional overcurrent protection devices to ensure that the maximum permissible operating current of the NH fuse-switch of 910 A is not exceeded.

EFEN vertical-design NH fuse-switches rated at 630 kVA are true and uncompromised 630-kVA devices. Due to their specific design, they withstand the high operating currents that occur when the overload capacity of transformers is utilized (up to 1182 Amps for at least 10 hours). This is why these EFEN's vertical-design NH fuse-switches are specified with the transformer rated capacity in kVA similar to DIN VDE 0636/2011.

Specific features:

- Rated power 630 kVA at 400 V AC
- Robust design and plastics with a high thermal resistance
- Parallel disconnection for high breaking capacity
- Top, bottom or rear connections are available

630 kVA fuse-switches of horizontal design of size 3 are available as well.



NH Fuse-Switch, vertical design, size 3: 630 kVA

Terminal type and location	Size	kVA	Variant	Order no.	Designation	PU	Weight in kg
M12, bottom	3	630	1-pole switching	38300-1235	NH-La-Lei 3 1PU 630kVA VE SM ST GG L6	1	5,60
M12, top	3	630	1-pole switching	38350-1235	NH-La-Lei 3 1PO 630kVA VE SM ST GG L6	1	7,12
Clinch nut M12, rear side	3	630	1-pole switching	37374-1465	NH-La-Lei 3 1PH 630kVA GG S6	1	7,00
M12, bottom	3	630	3-pole switching	38300-1275	NH-La-Lei 3 3PU 630kVA VE SM ST GG L6	1	7,29
M12, top	3	630	3-pole switching	38350-1275	NH-La-Lei 3 3PO 630kVA VE SM ST GG L6	1	7,32
Clinch nut M12, rear side	3	630	3-pole switching	38374-1495	NH-La-Lei 3 3PH 630kVA GG S6	1	7,00

NH Fuse-Switches, vertical design

630 kVA NH feeding Fuse-Switch with special terminal block

Application

This device is used as feeding switch in low-voltage distribution systems of transformer stations up to 630 kVA (transformer protection concept).

Benefits:

Terminal block with special contact lugs for connection to up to 60 mm wide busbars.

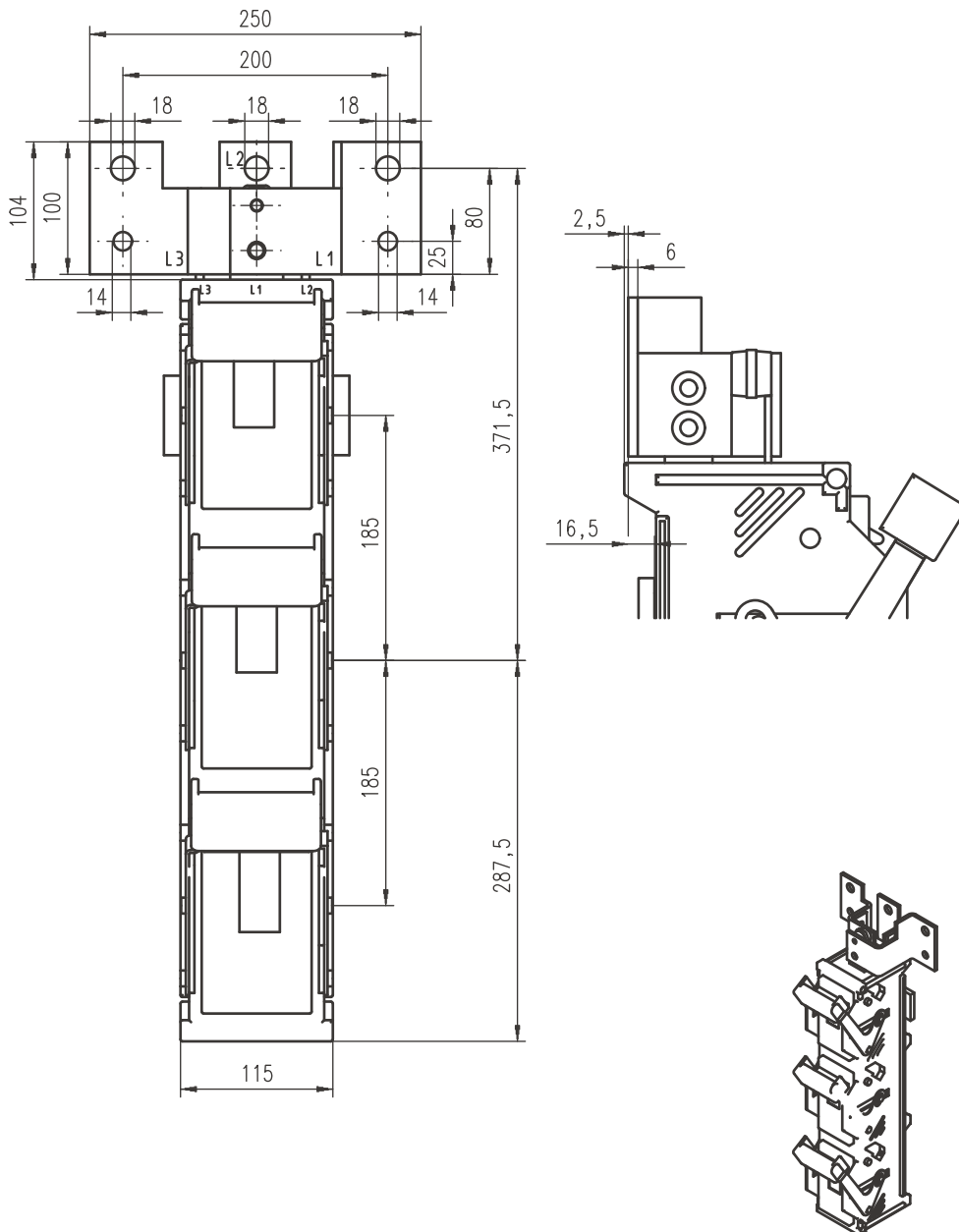
Mirrored terminals L1/L2 to eliminate crossings between cables or busbars and the secondary contacts of the transformer.

Simplified planning of installation and reliable compliance with specified air and creepage gaps due to fixed clearances between phases.

Extremely strong contact terminals for high electrodynamic stability.

Reliable thermal operating reliability at alternating ambient conditions due to extended device width of 115 mm.

Description	Size	kVA	Variant	Order no.	Designation	PU	Weight in kg
Special terminal for 60 mm busbars, top terminal	3	630	3-pole switching	38350-1595	NH-LA-LEI 3 3PO 630KVA SV L8 (L6)	1	7,00



NH Fuse-Switches, vertical design

NH Fuse-Switches, vertical design, size 2, 1-pole switching, EKDEO series

The NH vertical-design fuse-switches of the EKDEO series yield the following benefits also for the operator, especially when used in utility applications.

- Easy voltage testing directly on the contact blades of the NH fuse-links
- Easy current metering
- Compatible with piggyback fuse-switches for separate power branch-out
- Easy working with earthing cartridges, no further accessories required
- 150 mm installation depth for installation in low-profile cabinets

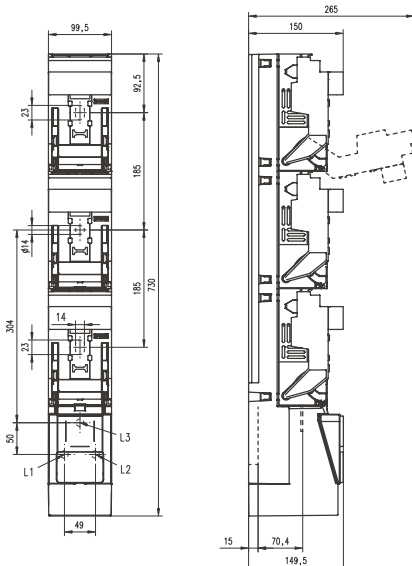
Technical data acc. to VDE 0660 T107/EN/IEC 60947-3

Suitable for NH fuse-links according to VDE 0636 T 2	Size	2	
Rated operating current I_e^*	A	400	
Conventional free-air thermic current I_{th}	A	400	
Rated operating voltage U_e	V	690	
Rated isolation voltage U_i	V	1000	
Rated impulse withstand-current U_{imp}	kV	12	
Conditional rated short-circuit current (when protected by NH fuse-links)	kA	100	
Utilization category acc. to VDE 0660 T107 / EN/IEC 60947-3	U _e =400 V AC U _e =500 V AC U _e =690 V AC U _e =440 V DC	AC-23B AC-22B AC-21B DC-21B	
Mechanical service life	Cycles	1600	
Rated operating mode	Continuous operation		
Permissible ambient temperature	°C	-25 to +55	
Degree of protection acc. to DIN/EN 60529 / VDE 0470 T1	IP	2x	
Tightening torques	Busbar	Busbar mounting	32 Nm
		Hook mounting	20 Nm
	Cable connection	Conductor bolt M12	32 Nm
		V2N clamp	30 Nm
Maximum permissible power dissipation of NH fuse-link	Pv max.	V2 MD clamp	25 Nm
			34 W

* Please request further information when using gR fuse-links (VDE 0636/40) in our devices. Continuous technical development is our dedication. Specifications and data are subject to change without notice.

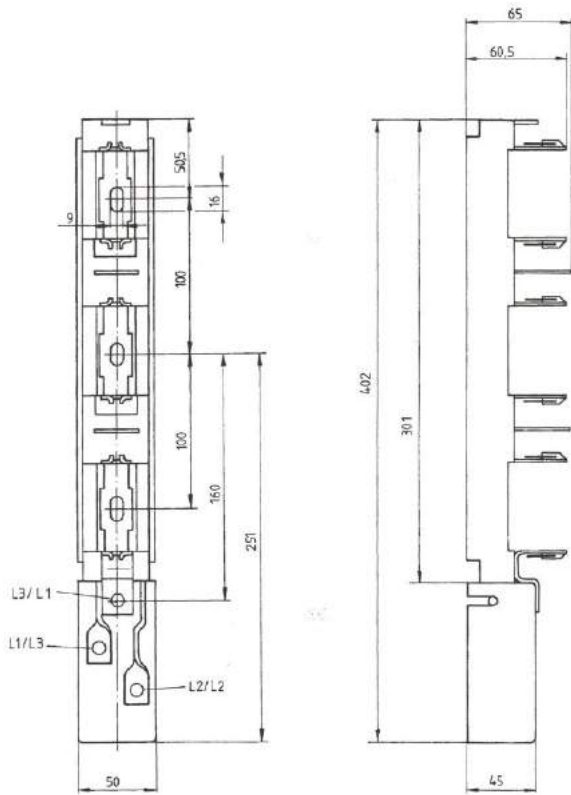
NH Fuse-Switches, vertical design, size 2, 1-pole switching, EKDEO series

Description	Size	Amps I_n	Order no.	Designation	PU	Weight in kg
Clinch nut M12	2	400	38664-0000	EKDEO 2 1P S6	1	3,77
Stud M12x30	2	400	38662-0000	EKDEO 2 1P B6	1	3,77
V-terminal (not including V-clamps)	2	400	38665-0000	EKDEO 2 1P V2	1	3,77
V2N-terminal (not including V-clamps)	2	400	38665-0470	EKDEO 2 1P V2N	1	3,77



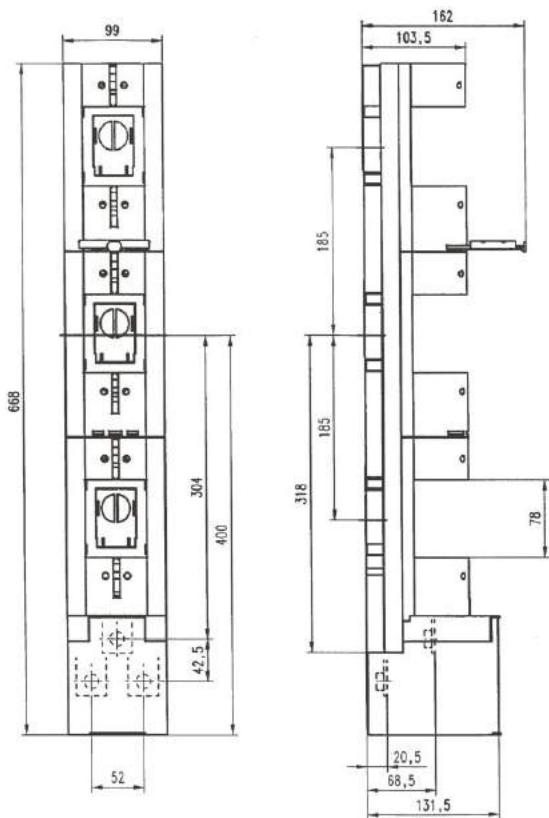
NH Fuse-Rails

NH fuse-rails, size 00/100: 125/160 A

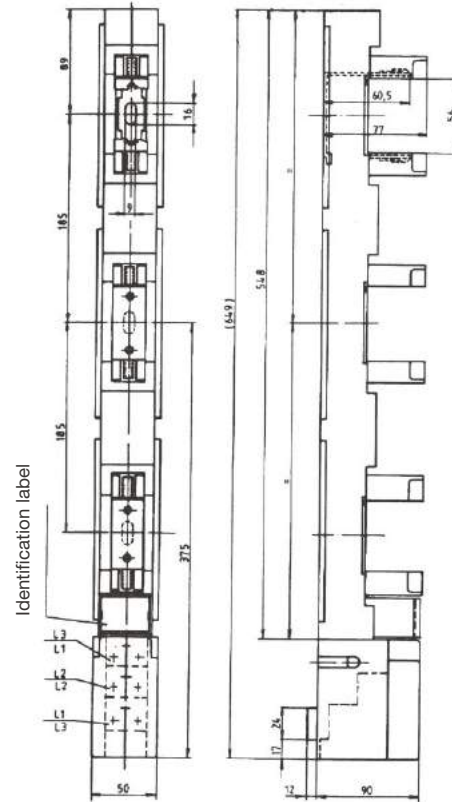


with contact cover and terminal cover

Eduro

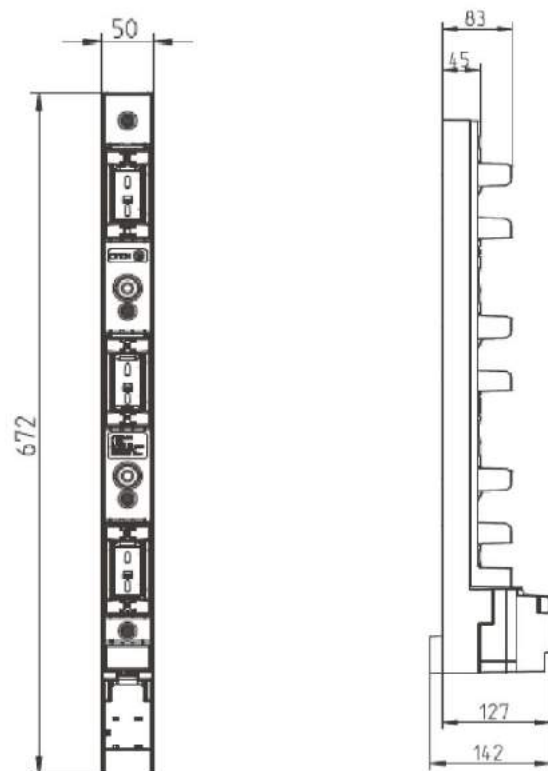


NH fuse-rails, size 00/185



with contact cover and terminal cover

E³ NH fuse-rails, size 00/185 with V-clamp



Power distribution components



Load-Break Switches / Load-Changeover Switches / Bypass Switches

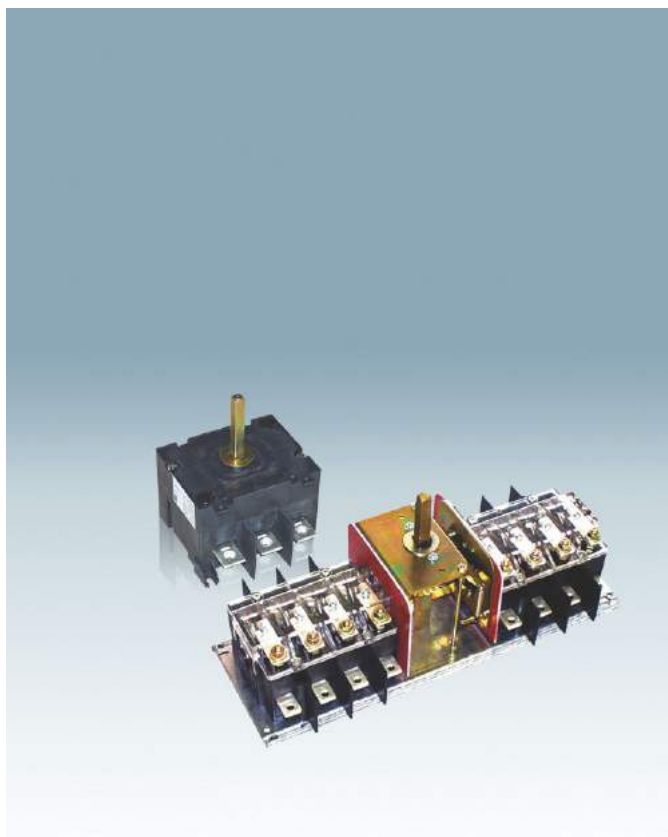
Load-break switches and load-changeover switches by EFEN are characterized by their robust functionality and compact design. They are ideally suited for applications in building-site power distributions, grid and grid back-up feed systems, telecommunications, hospitals, airports, railroad systems and transport services.

System

EFEN load-break switches and load-changeover switches are robust and versatile. The range comprises 3 and 4-pole as well as bypass versions with dual switch mechanisms, allowing six or eight poles to be switched simultaneously. Variants complying with DIN and BS standard are available.

Features

Thanks to their robust and compact design, the devices can be used in many ways, e.g. for construction-site power distribution, grid and grid back-up feed systems, utility applications and telecommunications. The visible isolation gap is another benefit of the changeover switches.



Load-Break Switches / Load-Changeover Switches / Bypass Switches

Load-break switches without fuse-links	page 244
Load-break switches with fuse-links	page 247
Load-changeover switches 1 – 0 – 2	page 251
Load-changeover switches, steel enclosure	page 253
Master and emergency switches	page 256
Bypass switches 1 – 0 – 2	page 257
Technical data	page 258

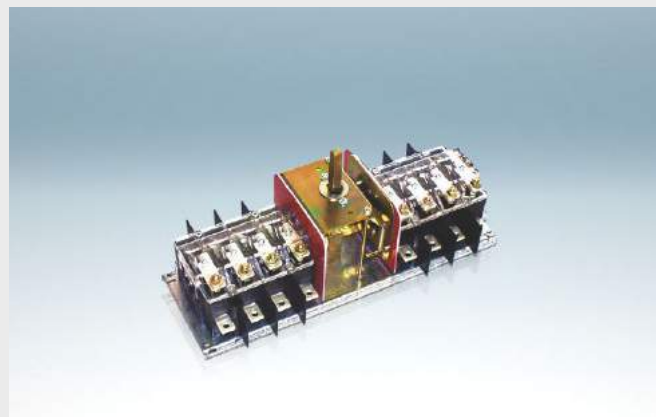
Load-Break Switch type FWA

used e.g. in building-site power distributions



Load-Changeover Switch type FMU

with visible isolation gap



Load-Break Switch type FAM

with double breaking



Load-Changeover Switch type FMU

in steel enclosure



Load-break switches and changeover switches



Application

The compact load-break switches of type FWA reliably and safely disconnect circuits under nominal load and under overload conditions from the grid (feed).

Areas of use

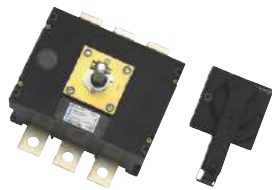
- Open switchboards
- Enclosed systems
- Machine tools
- Motor control centers (MCCs)
- Factory-built assemblies of switchgear

Scope of supply

Devices are supplied with handle and face plate.

► Technical data, page 259

Power distribution components



29100-1500

Load-break switches, 3 and 4-pole, 63 – 630 A, type FWA

Designation	Poles	Amps	PU	Product designation	Order no.
Load-break switch	3	63	1	FWA 6/3K-A 63A/3 AF KW R	29100-0401
Load-break switch	3	80	1	FWA 8/3K-A 80A/3 AF KW R	29100-0501
Load-break switch	3	100	1	FWA 10/3K-A 100A/3 AF KW R	29100-0601
Load-break switch	3	125	1	FWA 12/3K-A 125A/3 AF KW L	29100-0700
Load-break switch	3	160	1	FWA 16/3K-A 160A/3 AF KW L	29100-0800
Load-break switch	3	200	1	FWA 20/3K-A 200A/3 AF KW L	29100-0900
Load-break switch	3	250	1	FWA 25/3K-A 250A/3 AF KW L	29100-1000
Load-break switch	3	315	1	FWA 30/3K-A 315A/3 AF KW L	29100-1200
Load-break switch	3	400	1	FWA 40/3K-A 400A/3 AF KW L	29100-1300
Load-break switch	3	500	1	FWA 50/3K-A 500A/3 AF KW L	29100-1400
Load-break switch	3	630	1	FWA 63/3K-A 630A/3 AF KW L	29100-1500
Load-break switch	4	63	1	FWA 6/4K-A 63A/4 AF KW R	29104-0401
Load-break switch	4	80	1	FWA 8/4K-A 80A/4 AF KW R	29104-0501
Load-break switch	4	100	1	FWA 10/4K-A 100A/4 AF KW R	29104-0601
Load-break switch	4	125	1	FWA 12/4K-A 125A/4 AF KW L	29104-0700
Load-break switch	4	160	1	FWA 16/4K-A 160A/4 AF KW L	29104-0800
Load-break switch	4	200	1	FWA 20/4K-A 200A/4 AF KW L	29104-0900
Load-break switch	4	250	1	FWA 25/4K-A 250A/4 AF KW L	29104-1000
Load-break switch	4	315	1	FWA 30/4K-A 315A/4 AF KW L	29104-1200
Load-break switch	4	400	1	FWA 40/4K-A 400A/4 AF KW L	29104-1300
Load-break switch	4	500	1	FWA 50/4K-A 500A/4 AF KW L	29104-1400
Load-break switch	4	630	1	FWA 63/4K-A 630A/4 AF KW L	29104-1500

Load-break switches and changeover switches



Application

Load-break switches of type FWA-HLD are especially suitable for use as master and emergency switches in machine control systems or control cabinets. Due to their exceptional technical properties, they comply with any requirement for repair and service switches or crane master switches. They feature a motor-breaking capacity of AC 23 (switching of motors and other highly inductive loads).

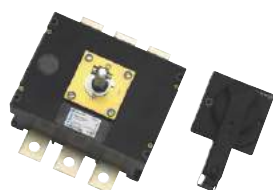
Areas of use

- Machine tools
- Cranes
- Compact stations, wind farms

Scope of supply

Devices are supplied with handle and face plate.

► Technical data, page 259



29110-1500

Load-break switches, 3 and 4-pole, 250 – 1250 A, type FWA-HLD

Designation	Poles	Amps	PU	Product designation	Order no.
Load-break switch	3	250	1	FWA-HLD 25/3K-A 250A/3 AF KW L	29110-1000
Load-break switch	3	300	1	FWA-HLD 30/3K-A 315A/3 AF KW L	29110-1200
Load-break switch	3	400	1	FWA-HLD 40/3K-A 400A/3 AF KW L	29110-1300
Load-break switch	3	500	1	FWA-HLD 50/3K-A 500A/3 AF KW L	29110-1400
Load-break switch	3	630	1	FWA-HLD 63/3K-A 630A/3 AF KW L	29110-1500
Load-break switch	3	800	1	FWA-HLD 80/3K-A 800A/3 AF KW L	29110-1600
Load-break switch	3	1000	1	FWA-HLD 100/3K-A 1000A/3 AF KW L	29110-1700
Load-break switch	3	1250	1	FWA-HLD 125/3K-A HLD 1250A/3 AF KW L	29110-1800
Load-break switch	4	250	1	FWA-HLD 25/4K	29114-1000
Load-break switch	4	300	1	FWA-HLD 30/4K	29114-1200
Load-break switch	4	400	1	FWA-HLD 40/4K	29114-1300
Load-break switch	4	500	1	FWA-HLD 50/4K	29114-1400
Load-break switch	4	630	1	FWA-HLD 63/4K	29114-1500
Load-break switch	4	800	1	FWA-HLD 80/4-A 800A/4 AF KW L	29114-1600
Load-break switch	4	1000	1	FWA-HLD 100/4-A HLD 1000A/4 AF KW L	29114-1700
Load-break switch	4	1250	1	FWA-HLD 125/4-A HLD 1250A/4 AF KW L	29114-1800

Accessories for load-break switches, 3 and 4-pole, 63 – 630 A, type FWA

Designation	Poles	Amps	PU	Product designation	Order no.
Door coupling + shaft extension		63-100	1	TKV-WV 80	36541-0010
Door coupling + shaft extension		63-250	1	TKV-WV FWA160/FMU250 200MM	36509-0010
Door coupling + shaft extension		250-630	1	TKV-WV VK14 UD 630 200MM	36680-0010
Terminal cover, single-side	3	63-100	1	KLAD FWA 8/3K	31828-0200
Terminal cover, single-side	4	63-100	1	KLAD FWA 8/4K	31828-0100
Terminal cover, single-side	3 + 4	125-200	1	KLAD-160	36573-0010
Terminal cover, single-side	3 + 4	250-630	1	KLAD-630	36658-0010
DKLAD 630			1	DKLAD 630	36538-0010
Aux. switch 2 NC / 2 NO for FWA		250-630	1	HILFSSCHALTER 2S2Ö 630A	36899-0010
Aux. switch 2 NC / 2 NO for FWA		800-1250	1	HILFSSCHALTER 2S2Ö FWA 1250A	36857-0010
Aux. switch 1 NO / 1 NC in position 1	3 + 4	250-630	1	HILFSSCHALTER 1S1Ö 630A	36516-0010
Door coupling + shaft extension	3 + 4	300-500	1	TKV-DG 245 WV-1250 200MM	36505-0010
Aux. switch 1 NO / 1 NC in position 1	3 + 4	800-1250	1	HILFSSCHALTER 1S1Ö FWA 1250A	36504-0010
Terminal cover, both sides	3	800-1250	1	DKLAD 3-1250 FWA U. HSWA	36586-0010
Terminal cover, single-side	4	800-1250	1	DKLAD 4-1250	36587-0010

Load-break switches and changeover switches



Application

Load-break switches of type FAM reliably and safely disconnect circuits under nominal load and under overload conditions from the grid (feed). When switched off, the device comply with the requirements for isolator switches up to 690 Volt.

Areas of use

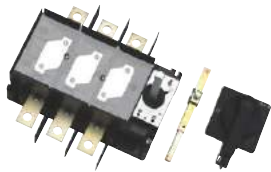
- Installation distributors
- Power distribution
- Motor control centers
- Control systems

Scope of supply

Devices are supplied with handle and face plate.

► Technical data, page 260

Power distribution components



29250-1100

Load-break switches, 3 and 4-pole, 63 – 300 A, type FAM

Designation	Poles	Amps	PU	Product designation	Order no.
Load-break switch	3	63	1	FAM 6/3-A 63A/3 AF KM R	29250-0401
Load-break switch	3	80	1	FAM 8/3-A 80A/3 AF KM R	29250-0501
Load-break switch	3	100	1	FAM 10/3-A 100A/3 AF KM L	29250-0600
Load-break switch	3	125	1	FAM 12/3-A 125A/3 AF KM L	29250-0700
Load-break switch	3	160	1	FAM 16/3-A 160A/3 AF KM L	29250-0800
Load-break switch	3	200	1	FAM 20/3-A 200A/3 AF KM L	29250-0900
Load-break switch	3	250	1	FAM 25/3-A 250A/3 AF KM TZ L	29250-1000
Load-break switch	3	300	1	FAM 30/3-A 300A/3 AF KM TZ L	29250-1100

Accessories for load-break switches, 3 and 4-pole, 63 – 300 A, type FAM

Designation	Poles	Amps	PU	Product designation	Order no.
Aux. switch 1 NO / 1 NC in position 1	3	63-160	1	HILFSSCHALTER 1W SILA/FAM 160	36593-0010
Aux. switch 1 NO / 1 NC in position 1		200-300	1	HILFSSCHALTER 2S2Ö FAM/SILA-1	36596-0010
Neutral pole with lug	*	63-125	1	NULLKONTAKT SILA 00 L	36907-0010
Neutral pole with box terminal	*	63-125	1	NULLKONTAKT FAM 6-16 SK	36908-0010
Neutral pole with clinch nut	*	100-160	1	NULLKONTAKT SILA 00 EPM	36906-0010
Terminal cover, single-side	3 + 4	200-300	1	KLAD-SILA 1 1-FACH	36506-0010
Terminal cover, single-side	3	100-160	1	KLEMMENABDECKUNG SILA 00 1-FACH	36501-0010
Door coupling + shaft extension		63-100	1	TKV-WV 80	36541-0010
Door coupling + shaft extension		63-250	1	TKV-WV FWA160/FMU250 200MM	36509-0010

Switch-fuse



Features

Switch-fuses of type SILA combine the benefits of an NH fuse-switch with those of a load-break switch in one unit. Their actuation is independent of the operator. The switching chamber is isolated from the fuse-links. Arcing that occurs when disconnecting is quenched inside the switching chamber.

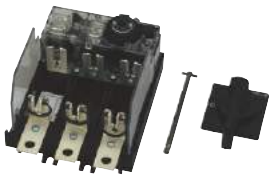
Areas of use

- Construction site power distribution
- Switchboards
- Installation distributors, etc.

Scope of supply

Devices are supplied complete with padlockable handle, front cover, door coupling and shaft extension.

► Technical data, page 261



29400-0700

Switch-fuse (DIN type) 3-pole, 63 – 125 A, type SILA – NH 00

Designation	Amps	PU	Product designation	Order no.
Switch-fuse	63	1	SILA-NH 00-6/3-SE-A 63A/3 AF KM SN L	29400-0400
Switch-fuse	125	1	SILA-NH 00-12/3-SE-A 125A/3 AF KM SN L	29400-0700

Accessories for switch-fuses (DIN type) 3 and 4-pole, 63 – 125 A, type SILAD – NH 00

Designation	Poles	Amps	PU	Product designation	Order no.
Neutral pole with box terminal			1	NULLKONTAKT SILA 00 LANG SK	36909-0010
Neutral pole with lug, 185 mm			1	NULLKONTAKT SILA 00 LANG	36910-0010
Neutral pole with clinch nut			1	NULLKONTAKT SILA 00 LANG EPM	36911-0010
Terminal cover, single-side	3	63-125	1	KLAD-SILA 00 KURZE RÜCKWAND	36507-0010
Aux. switch 1 NO / 1 NC in position 1	3	63-160	1	HILFSSCHALTER 1W SILA/FAM 160	36593-0010

Switch-fuse



Features

Switch-fuses of type SILAD combine the benefits of an NH fuse-switch with those of a load-break switch in one unit. Their actuation is independent of the operator. The switching chamber is isolated from the fuse-links. Arcing that occurs when disconnecting is quenched inside the switching chamber.

Areas of use

- Construction site power distribution
- Switchboards
- Installation distributors, etc.

Scope of supply

Devices are supplied complete with padlockable handle, front cover, door coupling and shaft extension.

► Technical data, page 261



29410-0700

Switch-fuse (DIN type) 3 poles, 63 – 125 A; type SILAD – NH 00

Designation	Poles	Amps	PU	Product designation	Order no.
Switch-fuse	3	63	1	SILAD-NH 00-6/3-SE-A 63A/3 AF KM SN L	29410-0400
Switch-fuse	3	125	1	SILAD-NH 00-12/3-SE-A 125A/3 AF KM SN L	29410-0700
Switch-fuse	3	250	1	SILAD-NH 1-25/3-SE-A 250A/3 AF KM TZSN L	29400-1000
Switch-fuse	3 + N	250	1	SILAD-NH 1-25/3+N-SE-A250A/3N AF KM TZSN	29403-1000
Switch-fuse	3	400	1	SILAD-NH 2-40/3-SE-A400A/3 AF KM TZ SN L	29420-1300
Switch-fuse	3 + N	400	1	SILAD-NH 2-40/3N-A 400A/3N AF KM TZ SN	29423-1300
Switch-fuse	3	630	1	SILAD-NH 3-63/3-A 630A/3 AF KM TZ SN	29420-1500
Switch-fuse	3 + N	630	1	SILAD-NH 3-63/3+N-A 630A/3N AF KM TZ SN	29423-1500

Accessories for switch-fuses (DIN type) 3 and 4 poles, 63 – 125 A, type SILAD – NH 00

Designation	Poles	Amps	PU	Product designation	Order no.
Neutral pole with lug	*	63-125	1	NULLKONTAKT SILA 00 L	36907-0010
Neutral pole with box terminal	*	63-125	1	NULLKONTAKT FAM 6-16 SK	36908-0010
Neutral pole with clinch nut	*	100-160	1	NULLKONTAKT SILA 00 EPM	36906-0010
Terminal cover, single-side	3	100-160	1	KLEMMENABDECKUNG SILA 00 1-FACH	36501-0010
Terminal cover, single-side	3 + 4	200-300	1	KLAD-SILA 1 1-FACH	36506-0010
Terminal cover, single-side	3	400	1	KLAD-SILAC II	36589-0010
Terminal cover, single-side	3	630	1	KLAD-SILAC III	36591-0010

Switch-fuse



Features

Switch-fuses of type SILA combine the benefits of an NH fuse-switch with those of a load-break switch in one unit. Their actuation is independent of the operator. The switching chamber is isolated from the fuse-links. Arcing that occurs when disconnecting is quenched inside the switching chamber.

Areas of use

- Motor control centers
- Switchboards
- Installation distributors, etc.

Scope of supply

Devices are supplied complete with padlockable handle, front cover, door coupling and shaft extension.

► Technical data, page 261



29430-0101 + 36908-0010

Switch-fuse, 3-pole, 25 – 125 A, for BS88, type SILA-BS

Designation	Poles	Amps	Size	PU	Product designation	Order no.
Switch-fuse	3	25	F1	1	SILA-BS 2/3-A 20A/3 AF KM SB R	29430-0101
Switch-fuse	3	32	F1	1	SILA-BS 3/3-A 32A/3 AF KM SB R	29430-0201
Switch-fuse	3	63	A3	1	SILA-BS 6/3-A 63A/3 AF KM SB R	29430-0400
Switch-fuse	3	100	A3	1	SILA-BS 10/3-A 100A/3 AF KM TZ SB L	29430-0600
Switch-fuse	3	125	A4	1	SILA-BS 12/3-A 125A/3 AF KM TZ SB L	29430-0700

Accessories for switch-fuses, 3 and 4-pole, 25 – 125 A, for BS88, type SILA-BS

Designation	Poles	Amps	PU	Product designation	Order no.
Neutral pole with lug	*	63-125	1	NULLKONTAKT SILA 00 L	36907-0010
Neutral pole with box terminal	*	63-125	1	NULLKONTAKT FAM 6-16 SK	36908-0010
Terminal cover, single-side	3	100-160	1	KLEMMENABDECKUNG SILA 00 1-FACH	36501-0010
Neutral pole with clinch nut	*	100-160	1	NULLKONTAKT SILA 00 EPM	36906-0010

Switch-fuse



Features

Switch-fuses of type SILAD-BS combine the benefits of an NH fuse-switch with those of a load-break switch in one unit. Their actuation is independent of the operator. The switching chamber is isolated from the fuse-links. Arcing that occurs when disconnecting is quenched inside the switching chamber.

Areas of use

- Motor control centers
- Switchboards
- Installation distributors, etc.

Scope of supply

Devices are supplied complete with padlockable handle, front cover, door coupling and shaft extension.

► Technical data, page 261

Power distribution components



29440-0101 + 36908-0010

Switch-fuses, 3-pole, 25 – 125 A, for BS88, type SILAD-BS

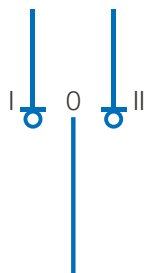
Designation	Poles	Amps	Size	PU	Product designation	Order no.
Switch-fuse	3	25	A1	1	SILAD-BS 2/3-A 25A/3 AF KM TZ SB R	29440-0101
Switch-fuse	3	32	A1	1	SILAD-BS 3/3-A 32A/3 AF KM TZ SB R	29440-0201
Switch-fuse	3	100	A3	1	SILAD-BS 10/3-A 100A/3 AF KM TZ SB L	29440-0600
Switch-fuse	3	125	B2	1	SILAD-BS 12/3-A 125A/3 AF KM TZ SB L	29440-0700
Switch-fuse	3	160	B2	1	SILAD-BS 16/3-A 160A/3 AF KM TZ SB L	29440-0800
Switch-fuse	3	200	B2	1	SILAD-BS 20/3-A 200A/3 AF KM TZ SB L	29440-0900
Switch-fuse	3	250	B3	1	SILAD-BS 25/3-A 250A/3 AF KM TZ SB L	29440-1000
Switch-fuse	3	300	B3	1	SILAD-BS 30/3-A 300A/3 AF KM TZ SB L	29440-1100

Accessories for switch-fuses, 3 and 4-pole, 25 – 125 A, for BS88, type SILA-BS

Designation	Poles	Amps	Size	PU	Product designation	Order no.
Neutral pole with lug	*	63-125		1	NULLKONTAKT SILA 00 L	36907-0010
Neutral pole with box terminal	*	63-125		1	NULLKONTAKT FAM 6-16 SK	36908-0010
BOTTOM TERMINAL COVER, FAM 12-16				1	KLEMMENABDECKUNG UNTEN FAM 12-16	36702-0010
Neutral pole with clinch nut	*	100-160		1	NULLKONTAKT SILA 00 EPM	36906-0010
Terminal cover, single-side	3 + 4	200-300		1	KLAD-SILA 1 1-FACH	36506-0010

* for additional 4-pole

Load-changeover switch



Application

Load-changeover switches of type FMU (FMUN) connect one consumer with either of two power sources (e. g. grid or back-up power supply). The switching function of the devices is 1 – 0 – 2*. In position 1, the consumer is connected to grid supply. In position 2, it is connected to a back-up power supply. In position 0, the con-

sumer is completely isolated from the power sources. Thanks to the visible disconnection, the load-changeover switch complies with fuse-switch requirements.

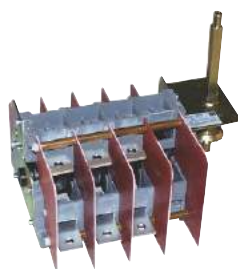
Areas of use

Telecommunications, railroad systems, utility applications, hospitals, radio stations, airports, transport services, etc.

Scope of supply

Devices are supplied with handle and face plate.

► Technical data, page 262

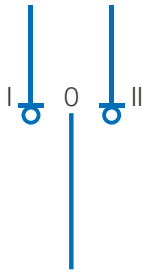


29300-0400

Load-changeover switches, 3 and 4-pole, 63 – 4000 A, type FMU (FMUN)

Designation	Poles	Amps	PU	Product designation	Order no.
Load-changeover switch	3	63	1	FMU 6/3-U0 63A/3 AF KM L	29300-0400
Load-changeover switch	3	80	1	FMU 8/3-U0 80A/3 AF KM L	29300-0500
Load-changeover switch	3	100	1	FMU 10/3-U0 100A/3 AF KM L	29300-0600
Load-changeover switch	3	125	1	FMU 12/3-U0 125A/3 AF KM L	29300-0700
Load-changeover switch	3	160	1	FMU 16/3-U0 160A/3 AF KM L	29300-0800
Load-changeover switch	3	200	1	FMUN 20/3-U0 200A/3 AF KM BN L	29320-0900
Load-changeover switch	3	250	1	FMUN 25/3-U0 250A/3 AF KM BN L	29320-1000
Load-changeover switch	3	300	1	FMUN 30/3-U0 300A/3 AF KM BN L	29320-1100
Load-changeover switch	3	400	1	FMUN 40/3-U0 400A/3 AF KM BN L	29320-1300
Load-changeover switch	3	500	1	FMUN 50/3-U0 500A/3 AF KM BN L	29320-1400
Load-changeover switch	3	630	1	FMU 63/3-U0 630A/3 AF KM L	29300-1500
Load-changeover switch	3	800	1	FMU 80/3-U0 800A/3 AF KM L	29300-1600
Load-changeover switch	3	1000	1	FMU 100/3-U0 1000A/3 AF KM L	29300-1700
Load-changeover switch	3	1250	1	FMU 125/3-U0 1250A/3 AF KM L	29300-1800
Load-changeover switch	3	1600	1	FMU 160/3-U0 1600A/3 AF KM L	29300-1900
Load-changeover switch	3	2000	1	FMU 200/3-U0 2000A/3 AF KM L	29300-2000
Load-changeover switch	3	2500	1	FMU 200/3-U0 2500A/3 AF KM L	29300-2500
Load-changeover switch	3	3150	1	FMU 200/3-U0 3150A/3 AF KM L	29300-3150
Load-changeover switch	3	4000	1	FMU 200/3-U0 4000A/3 AF KM L	29300-4000
Load-changeover switch	4	63	1	FMU 6/4-U0 63A/4 AF KM L	29304-0400
Load-changeover switch	4	80	1	FMU 8/4-U0 80A/4 AF KM L	29304-0500
Load-changeover switch	4	100	1	FMU 10/4-U0 100A/4 AF KM L	29304-0600
Load-changeover switch	4	125	1	FMU 12/4-U0 125A/4 AF KM L	29304-0700
Load-changeover switch	4	160	1	FMU 16/4-U0 160A/4 AF KM L	29304-0800
Load-changeover switch	4	200	1	FMUN 20/4-U0 200A/4 AF KM BN L	29324-0900
Load-changeover switch	4	250	1	FMUN 25/4-U0 250A/4 AF KM BN L	29324-1000
Load-changeover switch	4	300	1	FMUN 30/4-U0 300A/4 AF KM BN L	29324-1100
Load-changeover switch	4	400	1	FMUN 40/4-U0 400A/4 AF KM BN L	29324-1300
Load-changeover switch	4	500	1	FMUN 50/4-U0 500A/4 AF KM BN L	29324-1400
Load-changeover switch	4	630	1	FMU 63/4-U0 630A/4 AF KM L	29304-1500
Load-changeover switch	4	800	1	FMU 80/4-U0 800A/4 AF KM L	29304-1600
Load-changeover switch	4	1000	1	FMU 100/4-U0 1000A/4 AF KM L	29304-1700
Load-changeover switch	4	1250	1	FMU 125/4-U0 1250A/4 AF KM L	29304-1800
Load-changeover switch	4	1600	1	FMU 160/4-U0 1600A/4 AF KM L	29304-1900
Load-changeover switch	4	2000	1	FMU 200/4-U0 2000A/4 AF KM L	29304-2000
Load-changeover switch	4	2500	1	FMU 200/3-U0 2500A/4 AF KM L	29304-2500
Load-changeover switch	4	3150	1	FMU 200/3-U0 3150A/4 AF KM L	29304-3150
Load-changeover switch	4	4000	1	FMU 200/3-U0 4000A/4 AF KM L	29304-4000

Load-changeover switch



Application

Load-changeover switches of type FMU (FMUN) connect one consumer with either of two power sources (e. g. grid or back-up power supply). The switching function of the devices is 1 – 0 – 2*. In position 1, the consumer is connected to grid supply. In position 2, it is connected to a back-up power supply. In position 0, the con-

sumer is completely isolated from the power sources. Thanks to the visible disconnection, the load-changeover switch complies with fuse-switch requirements.

Areas of use

Telecommunications, railroad systems, utility applications, hospitals, radio stations, airports, transport services, etc.

Scope of supply

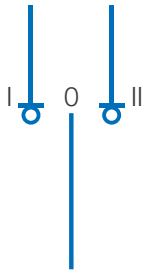
Devices are supplied with handle and face plate.

► Technical data, page 262

Accessories for load-changeover switches, 3 and 4-pole, 63 – 2000 A, type FMU (FMUN)

Designation	Poles	Amps	PU	Product designation	Order no.
Door coupling + shaft extension		63-250	1	TKV-WV FWA160/FMU250 200MM	36509-0010
Door coupling + shaft extension	3 + 4	300-500	1	TKV-DG 245 WV-1250 200MM	36505-0010
Door coupling + shaft extension	3 + 4	630-1250	1	TKV-DG 355 WV-1250-FMU	36515-0010
Door coupling + shaft extension	3 + 4	1600-2000	1	TKV-WV 2000 FMU	36612-0010
Terminal cover, single-side	3 + 4	63-160	1	DKLAD 160 FMU	36503-0010
Terminal cover, single-side	3 + 4	200-250	1	DKLAD 250 FMU	36645-0010
Terminal cover, single-side	3 + 4	300-500	1	DKLAD 500 FMU	36588-0010
Terminal cover, single-side	4	630-1250	1	DKLAD 4-1250 FMU	36651-0010
Terminal cover, two sides, DKLAD	3	630-1250	1	DKLAD FMU 63-125/3	36703-0010
Terminal cover, single-side	3	1600-2000	0	DKLAD 3-2000 FMU	36694-0010
Terminal cover, two sides, DKLAD	4	1600-2000	1	KLAD FMU 160-200/4	45149-0200

Load-changeover switches, type FMU, steel enclosure, 3 and 4-pole, 63 – 2000 A



Application

Load-changeover switches of type FMU with steel enclosure provide some specific features for the following typical applications:

- Change-over to secondary power supply
- Connection to two power sources
- Switching function 1 – 0 – 2
- Switch for visible disconnection

► Technical data, on demand



29300-0410

Enclosure ST-FMU 6-16

Features:

- Dimensions: 300 x 300 x 120 mm
- Terminal opening: 134 x 44 mm
- Degree of protection: IP65
- Utilization category: I_e AC 21B 415V

Designation	Poles	Amps	PU	Product designation	Order no.
ST-FMU 6/3 with screw terminal M6	3	63	1	ST-FMU 6/3-U0 63A/3 AF KM GS L	29300-0410
ST-FMU 8/3 with screw terminal M6	3	80	1	ST-FMU 8/3-U0 80A/3 AF KM GS L	29300-0510
ST-FMU 10/3 with screw terminal M6	3	100	1	ST-FMU 10/3-U0 100A/3 AF KM GS L	29300-0610
ST-FMU 12/3 with screw terminal M6	3	125	1	ST-FMU 12/3-U0 125A/3 AF KM GS L	29300-0710
ST-FMU 16/3 with screw terminal M8	3	160	1	ST-FMU 16/3-U0 160A/3 AF KM GS L	29300-0810
ST-FMU 6/4 with screw terminal M6	4	63	1	ST-FMU 6/4-U0 63A/4 AF KM GS L	29304-0410
ST-FMU 8/4 with screw terminal M6	4	80	1	ST-FMU 8/4-U0 80A/4 AF KM GS L	29304-0510
ST-FMU 10/4 with screw terminal M6	4	100	1	ST-FMU 10/4-U0 100A/4 AF KM GS L	29304-0610
ST-FMU 12/4 with screw terminal M6	4	125	1	ST-FMU 12/4-U0 125A/4 AF KM GS L	29304-0710
ST-FMU 16/4 with screw terminal M8	4	160	1	ST-FMU 16/4-U0 160A/4 AF KM GS L	29304-0810



29320-0910

Enclosure ST-FMUN 20-25

Features:

- Dimensions: 300 x 400 x 210 mm
- Terminal opening: 234 x 48 mm
- Degree of protection: IP65
- Utilization category: I_e AC 21B 415V

Designation	Poles	Amps	PU	Product designation	Order no.
ST-FMUN 20/3 with screw terminal M10	3	200	1	ST-FMUN 20/3-U0 200A/3 KM AF GS L	29320-0910
ST-FMUN 25/3 with screw terminal M10	3	250	1	ST-FMUN 25/3-U0 250A/3 KM AF GS L	29320-1010
ST-FMUN 20/4 with screw terminal M10	4	200	1	ST-FMUN 20/4-U0 200A/4 KM AF GS L	29324-0910
ST-FMUN 25/4 with screw terminal M10	4	250	1	ST-FMUN 25/4-U0 250A/4 KM AF GS L	29324-1010



29320-1110

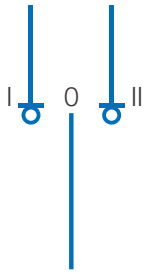
Enclosure ST-FMUN 30-50

Features:

- Dimensions: 380 x 600 x 210 mm
- Terminal opening: 303 x 65 mm
- Degree of protection: IP65
- Utilization category: I_e AC 21B 415V

Designation	Poles	Amps	PU	Product designation	Order no.
ST-FMUN 30/3 with screw terminal M10	3	300	1	ST-FMUN 30/3-U0 300A/3 KM AF GS L	29320-1110
ST-FMUN 40/3 with screw terminal M10	3	400	1	ST-FMUN 40/3-U0 400A/3 KM AF GS L	29320-1310
ST-FMUN 50/3 with screw terminal M10	3	500	1	ST-FMUN 50/3-U0 500A/3 KM AF GS L	29320-1410
ST-FMUN 30/4 with screw terminal M10	4	300	1	ST-FMUN 30/4-U0 300A/4 KM AF GS L	29324-1110
ST-FMUN 40/4 with screw terminal M10	4	400	1	ST-FMUN 40/4-U0 400A/4 KM AF GS L	29324-1310
ST-FMUN 50/4 with screw terminal M10	4	500	1	ST-FMUN 50/4-U0 500A/4 KM AF GS L	29324-1410

Load-changeover switches, type FMU, steel enclosure, 3 and 4-pole, 63 – 2000 A



Application

Load-changeover switches of type FMU with steel enclosure provide some specific features for the following typical applications:

- Change-over to secondary power supply
- Connection to two power sources
- Switching function 1 – 0 – 2
- Switch for visible disconnection

► Technical data, on demand

Power distribution components



29300-1510

Enclosure ST-FMUN 63-125

Features:

- Dimensions: 500 x 700 x 250 mm
- Terminal opening: 303 x 114 mm
- Degree of protection: IP65
- Utilization category: I_e AC 21B 415V

Designation	Poles	Amps	PU	Product designation	Order no.
ST-FMU 63/3 with screw terminal M12	3	630	1	ST-FMU 63/3-U0 630A/3 AF KM L	29300-1510
ST-FMU 80/3 with screw terminal M12	3	800	1	ST-FMU 80/3-U0 800A/3 AF KM GS L	29300-1610
ST-FMU 100/3 with screw terminal M12	3	1000	1	ST-FMU 100/3-U0 1000A/3 AF KM GS L	29300-1710
ST-FMU 125/3 with screw terminal M12	3	1250	1	ST-FMU 125/3-U0 1250A/3 AF KM GS L	29300-1810
ST-FMU 63/4 with screw terminal M12	4	630	1	ST-FMU 63/4-U0 630A/4 AF KM GS L	29304-1510
ST-FMU 80/4 with screw terminal M12	4	800	1	ST-FMU 80/4-U0 800A/4 AF KM GS L	29304-1610
ST-FMU 100/4 with screw terminal M12	4	1000	1	ST-FMU 100/4-U0 1000A/4 AF KM GS L	29304-1710
ST-FMU 125/4 with screw terminal M12	4	1250	1	ST-FMU 125/4-U0 1250A/4 AF KM GS L	29304-1810



29300-1910

Enclosure ST-FMUN 160-200

Features:

- Dimensions: 760 x 760 x 300 mm
- Terminal opening: 303 x 114 mm
- Degree of protection: IP65
- Utilization category: I_e AC 21B 415V

Designation	Poles	Amps	PU	Product designation	Order no.
ST-FMU 160/3 with screw terminal M12	3	1600	1	ST-FMU 160/3-U0 1600A/3 AF KM GS L	29300-1910
ST-FMU 200/3 with screw terminal M12	3	2000	1	ST-FMU 200/3-U0 2000A/3 AF KM GS L	29300-2010
ST-FMU 160/4 with screw terminal M12	4	1600	1	ST-FMU 160/4-U0 1600A/4 AF KM GS L	29304-1910
ST-FMU 200/4 with screw terminal M12	4	2000	1	ST-FMU 200/4-U0 2000A/4 AF KM GS L	29304-2010

Accessories

► Technical data, on demand

Accessories FMU ST

Designation	Poles	Amps	PU	Product designation	Order no.
Switch position indicator for pos. 1 and 2		63-250	1	HILFSSCHALTER 1S1Ö FMU 63-250A	36659-0010
Switch position indicator for pos. 1 and 2		300-1250	1	HILFSSCHALTER 1S1Ö FMU 1250A	36665-0010
Switch position indicator for pos. 1 and 2		1600-2000	1		36625-0010
Terminal cover, single-side	3 + 4	63-160	1	DKLAD 160 FMU	36503-0010
Terminal cover, single-side	3 + 4	200-250	1	DKLAD 250 FMU	36645-0010
Terminal cover, single-side	3 + 4	300-500	1	DKLAD 500 FMU	36588-0010
Terminal cover, single-side	4	630-1250	1	DKLAD 4-1250 FMU	36651-0010
Terminal cover, single-side	4	800-1250	1	DKLAD 4-1250	36587-0010
Terminal cover, single-side	3	1600-2000	0	DKLAD 3-2000 FMU	36694-0010

Master and emergency switches



Application

Master and emergency switches of type HSWA are especially suitable for use in machine controls and control cabinets. Due to their exceptional technical properties, they comply with any requirement for repair and service switches or crane master switches. They feature a motor-breaking capacity of AC 23 (switching of motors and other highly inductive loads).

Areas of use

- Enclosed systems
- Machine tools
- Factory-built assemblies of switchgear

Scope of supply

Devices are supplied complete with padlockable handle, front cover, door coupling with latch, and shaft extension with single-side terminal cover.

► Technical data, page 263

Power distribution components



29160-1000

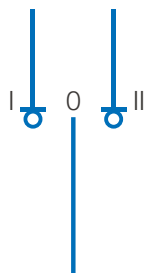
Master and emergency switches, 3 and 4-pole, 250 – 1250 A, type HSWA

Designation	Poles	Amps	PU	Product designation	Order no.
Master and emergency switch	3	250	1	HSWA 25/3K-A 250A/3 AF KW L	29160-1000
Master and emergency switch	3	315	1	HSWA 30/3K-A 315A/3 AF KW L	29160-1200
Master and emergency switch	3	400	1	HSWA 40/3K-A 400A/3 AF KW L	29160-1300
Master and emergency switch	3	500	1	HSWA 50/3K-A 500A/3 AF KW L	29160-1400
Master and emergency switch	3	630	1	HSWA 63/3K-A 630A/3 AF KW L	29160-1500
Master and emergency switch	3	800	1	HSWA 80/3-A 800A/3 AF KW L	29160-1600
Master and emergency switch	3	1000	1	HSWA 100/3-A 1000A/3 AF KW L	29160-1700
Master and emergency switch	3	1250	1	HSWA 125/3-A 1250A/3 AF KW L	29160-1800
Master and emergency switch	4	250	1	HSWA 25/4K	29164-1000
Master and emergency switch	4	315	1	HSWA 30/4K	29164-1200
Master and emergency switch	4	400	1	HSWA 40/4K	29164-1300
Master and emergency switch	4	500	1	HSWA 50/4K	29164-1400
Master and emergency switch	4	630	1	HSWA 63/4K	29164-1500
Master and emergency switch	4	800	1	HSWA 80/4K	29164-1600
Master and emergency switch	4	1250	1	HSWA 125/4K	29164-1800

Accessories for master and emergency switches, 3 and 4-pole, 250 – 1250 A, type HSWA

Designation	Poles	Amps	PU	Product designation	Order no.
Terminal cover, single-side	3	63-100	1	KLAD FWA 8/3K	31828-0200
Terminal cover, single-side	4	63-100	1	KLAD FWA 8/4K	31828-0100
Terminal cover, single-side	3 + 4	125-200	1	KLAD-160	36573-0010
Terminal cover, single-side	3 + 4	250-630	1	KLAD-630	36658-0010
Aux. switch 1 NO / 1 NC in position 1	3 + 4	250-630	1	HILFSSCHALTER 1S1Ö 630A	36516-0010
Aux. switch 1 NO / 1 NC in position 1	3 + 4	800-1250	1	HILFSSCHALTER 1S1Ö FWA 1250A	36504-0010

Bypass switches



Application

Bypass switches of type FMU BY1 (FMUN BY1) connect one consumer with either of two power sources (e. g. grid or back-up power supply). The switching function of the devices is 1 – 0 – 2*. In position 1, the consumer is connected to grid supply. In position 2, it is connected to a back-up power supply. In position 0, the consumer

is completely isolated from the power sources. Thanks to the visible disconnection, the bypass switch complies with fuse-switch requirements.

Areas of use

Telecommunications, railroad systems, utility applications, hospitals, radio stations, airports, transport services, etc.

Scope of supply

Devices are supplied with handle and face plate.

► Technical data, page 258



29360-0400

Bypass switches, 3 and 4-pole, 63 – 800 A; Type FMU BY 1 (FMUN BY1)

Designation	Poles	Amps	PU	Product designation	Order no.
Bypass switch	3	63	1	FMU BY1-6/3-U0 63A/3 AF KM BY L	29360-0400
Bypass switch	3	80	1	FMU BY1-8/3-U0 80A/3 AF KM BY L	29360-0500
Bypass switch	3	100	1	FMU BY1-10/3-U0 100A/3 AF KM BY L	29360-0600
Bypass switch	3	125	1	FMU BY1-12/3-U0 125A/3 AF KM BY L	29360-0700
Bypass switch	3	160	1	FMU BY1-16/3-U0 160A/3 AF KM BY L	29360-0800
Bypass switch	3	200	1	FMUN BY1-20/3-U0 200A/3 AF KM BY L	29360-0900
Bypass switch	3	250	1	FMUN BY1-25/3-U0 250A/3 AF KM BY L	29360-1000
Bypass switch	3	300	1	FMU BY1-30/3-U0 300A/3 AF KM BY L	29360-1100
Bypass switch	3	400	1	FMU BY1-40/3-U0 400A/3 AF KM BY L	29360-1300
Bypass switch	3	500	1	FMU BY1-50/3-U0 500A/3 AF KM BY L	29360-1400
Bypass switch	3	630	1	FMU BY1-63/3-U0 630A/3 AF KM BY L	29360-1500
Bypass switch	3	800	1	FMU BY1-80/3-U0 800A/3 AF KM BY L	29360-1600
Bypass switch	3	1000	1	FMU BY1-100/3-U0 1000A/3 AF KM BY L	29360-1700
Bypass switch	3	1250	1	FMU BY1-125/3-U0 1250A/3 AF KM BY L	29360-1800
Bypass switch	3	1600	1	FMU BY1-160/3-U0 1600A/3 AF KM BY L	29360-1900
Bypass switch	3	2000	1	FMU BY1-200/3-U0 2000A/3 AF KM BY L	29360-2000
Bypass switch	4	63	1	FMU BY1-6/4-U0 63A/4 AF KM BY L	29364-0400
Bypass switch	4	80	1	FMU BY1-8/4-U0 80A/4 AF KM BY L	29364-0500
Bypass switch	4	100	1	FMU BY1-10/4-U0 100A/4 AF KM BY L	29364-0600
Bypass switch	4	125	1	FMU BY1-12/4-U0 125A/4 AF KM BY L	29364-0700
Bypass switch	4	160	1	FMU BY1-16/4-U0 160A/4 AF KM BY L	29364-0800
Bypass switch	4	200	1	FMUN BY1-20/4-U0 200A/4 AF KM BY L	29364-0900
Bypass switch	4	250	1	FMUN BY1-25/4-U0 250A/4 AF KM BY L	29364-1000
Bypass switch	4	300	1	FMUN BY1-30/4-U0 300A/4 AF KM BY L	29364-1100
Bypass switch	4	400	1	FMUN BY1-40/4-U0 400A/4 AF KM BY L	29364-1300
Bypass switch	4	500	1	FMU BY1-50/4-U0 500A/4 AF KM BY L	29364-1400
Bypass switch	4	630	1	FMU BY1-63/4-U0 630A/4 AF KM BY L	29364-1500
Bypass switch	4	800	1	FMU BY1-80/4-U0 800A/4 AF KM BY L	29364-1600
Bypass switch	4	1000	1	FMU BY1-100/4-U0 1000A/4 AF KM BY L	29364-1700
Bypass switch	4	1250	1	FMU BY1-125/4-U0 1250A/4 AF KM BY L	29364-1800
Bypass switch	4	1600	1	FMU BY1-160/4-U0 1600A/4 AF KM BY L	29364-1900
Bypass switch	4	2000	1	FMU BY1-200/4-U0 2000A/4 AF KM BY L	29364-2000

Accessories for bypass switches, 3 and 4-pole, 63 – 800 A; Type FMU BY 1 (FMUN BY1)

Designation	Poles	Amps	PU	Product designation	Order no.
TKV-WV 200 MM SILA1			1	TKV-WV 200MM SILA1	36540-0010
Door coupling + shaft extension	3 + 4	300-500	1	TKV-DG 245 WV-1250 200MM	36505-0010
Door coupling + shaft extension	3 + 4	1600-2000	1	TKV-WV 2000 FMU	36612-0010
Terminal cover, single-side	3 + 4	63-160	1	DKLAD 160 FMU	36503-0010
Terminal cover, single-side	3 + 4	200-250	1	DKLAD 250 FMU	36645-0010
Terminal cover, single-side	3 + 4	300-500	1	DKLAD 500 FMU	36588-0010
Terminal cover, single-side	4	630-1250	1	DKLAD 4-1250 FMU	36651-0010
Terminal cover, two sides, DKLAD	3	630-1250	1	DKLAD FMU 63-125/3	36703-0010
Terminal cover, single-side	3	1600-2000	0	DKLAD 3-2000 FMU	36694-0010
Terminal cover, two sides, DKLAD	4	1600-2000	1	KLAD FMU 160-200/4	45149-0200
Door coupling + shaft extension	3 + 4	630-1250	1	TKV-DG 355 WV-1250-FMU	36515-0010

Load-changeover switch 3 and 4-pole, type FMU (FMUN)

Type FMU BY1 (FMUN BY1): 63 – 800 A / AC21B 415 V

Type	Outer dimensions W x H x D in mm	Order no. TKV-WV Door coupling + shaft ext.	Order no. KLAD Terminal cover, single-side	Rated uninter- rupted current I _U	Rated operat- ing current I _e C21B 415 V	Poles	Max. conductor cross-section	Order no.
FMU BY1-6/3	352x150x110	36540-0010	2x36503-0010	63A	63A	3	25 mm ²	29360-0400
FMU BY1-6/4	352x150x110	36540-0010	2x36503-0010	63A	63A	4	25 mm ²	29364-0400
FMU BY1-8/3	352x150x110	36540-0010	2x36503-0010	80A	80A	3	25 mm ²	29360-0500
FMU BY1-8/4	352x150x110	36540-0010	2x36503-0010	80A	80A	4	25 mm ²	29364-0500
FMU BY1-10/3	352x150x110	36540-0010	2x36503-0010	100A	100A	3	25 mm ²	29360-0600
FMU BY1-10/4	352x150x110	36540-0010	2x36503-0010	100A	100A	4	25 mm ²	29364-0600
FMU BY1-12/3	352x150x110	36540-0010	2x36503-0010	125A	125A	3	35 mm ²	29360-0700
FMU BY1-12/4	352x150x110	36540-0010	2x36503-0010	125A	125A	4	35 mm ²	29364-0700
FMU BY1-16/3	352x218x110	36540-0010	2x36503-0010	160A	160A	3	70 mm ²	29360-0800
FMU BY1-16/4	352x218x110	36540-0010	2x36503-0010	160A	160A	4	70 mm ²	29364-0800
FMUN BY1-20/3	474x181x110	36540-0010	2x36645-0010	200A	200A	3	120 mm ²	29360-0900
FMUN BY1-20/4	474x181x110	36540-0010	2x36645-0010	200A	200A	4	120 mm ²	29364-0900
FMUN BY1-25/3	474x181x110	36540-0010	2x36645-0010	250A	250A	3	150 mm ²	29360-1000
FMUN BY1-25/4	474x181x110	36540-0010	2x36645-0010	250A	250A	4	150 mm ²	29364-1000
FMUN BY1-30/3	570x285x159	36515-0010	2x36588-0010	300A	300A	3	185 mm ²	29360-1100
FMUN BY1-30/4	570x285x159	36515-0010	2x36588-0010	300A	300A	4	185 mm ²	29364-1100
FMUN BY1-40/3	570x285x159	36515-0010	2x36588-0010	400A	400A	3	240 mm ²	29360-1300
FMUN BY1-40/4	570x285x159	36515-0010	2x36588-0010	400A	400A	4	240 mm ²	29364-1300
FMUN BY1-50/3	570x285x159	36515-0010	2x36588-0010	500A	500A	3	300 mm ²	29360-1400
FMUN BY1-50/4	570x285x159	36515-0010	2x36588-0010	500A	500A	4	300 mm ²	29364-1400
FMU BY1-63/3	775x245x200	36515-0010	upon request	630A	upon request	3	2x185 mm ²	29360-1500
FMU BY1-63/4	945x245x200	36515-0010	2x36651-0010	630A	upon request	4	2x185 mm ²	29364-1500
FMU BY1-80/3	775x253x200	36515-0010	upon request	800A	upon request	3	2x185 mm ²	29360-1600
FMU BY1-80/4	945x253x200	36515-0010	2x36651-0010	800A	upon request	4	2x185 mm ²	29364-1600

Type FMU BY1: 1000 – 2000 A / AC21B 415 V

Type	Outer dimensions W x H x D in mm	Order no. TKV-WV Door coupling + shaft ext.	Order no. KLAD Terminal cover, single-side	Rated uninter- rupted current I _U	Rated operat- ing current I _e C21B 415 V	Poles	Max. conductor cross-section	Order no.
FMU BY1-100/3	775x253x200	36515-0010	upon request	1000A	upon request	3	2x240 mm ²	29360-1700
FMU BY1-100/4	945x253x200	36515-0010	2x36651-0010	1000A	upon request	4	2x240 mm ²	29364-1700
FMU BY1-125/3	775x253x200	36515-0010	upon request	1250A	upon request	3	2x40x5 mm	29360-1800
FMU BY1-125/4	945x253x200	36515-0010	2x36651-0010	1250A	upon request	4	2x40x5 mm	29364-1800
FMU BY1-160/3	925x410x255	36612-0010	36694-0010	1600A	upon request	3	2x60x5 mm	29360-1900
FMU BY1-160/4	1125x410x255	36612-0010	36587-0010	1600A	upon request	4	2x60x5 mm	29364-1900
FMU BY1-200/3	925x410x255	36612-0010	36694-0010	2000A	upon request	3	2x80x5 mm	29360-2000
FMU BY1-200/4	1125x410x255	36612-0010	36587-0010	2000A	upon request	4	2x80x5 mm	29364-2000

Load-break switches without fuse-links 3 and 4-pole, type FWA

Type FWA: 63 – 630 A / AC22B 415 V

Type	Outer dimensions W x H x D in mm	Order no. TKV-WV Door coupling + shaft ext.	Order no. KLAD Terminal cover, single-side	Rated uninter- rupted current I _u	Rated operat- ing current I _e AC22B 415 V	Rated operat- ing current I _e AC23B 415 V	Poles	Max. conductor cross-section	Order no.
FWA 6/3K	72x108x 71	36541-0010	31828-0200	63A	63A		3	35 mm ²	29100-0401
FWA 6/4K	72x 82x 71	36541-0010	31828-0100	63A	upon request		4	35 mm ²	29104-0401
FWA 8/3K	72x108x 71	36541-0010	31828-0200	80A	80A		3	35 mm ²	29100-0501
FWA 8/4K	72x 82x 71	36541-0010	31828-0100	80A	upon request		4	35 mm ²	29104-0501
FWA 10/3K	72x108x 71	36541-0010	31828-0200	100A	100A		3	35 mm ²	29100-0601
FWA 10/4K	72x 82x 71	36541-0010	31828-0100	100A	upon request		4	35 mm ²	29104-0601
FWA 12/3K	122x132x 86	36509-0010	36573-0010	125A	125A		3	50 mm ²	29100-0700
FWA 12/4K	121x145x 84	36509-0010	36573-0010	125A	upon request		4	50 mm ²	29104-0700
FWA 16/3K	122x132x 86	36509-0010	36573-0010	160A	160A		3	70 mm ²	29100-0800
FWA 16/4K	121x145x 84	36509-0010	36573-0010	160A	upon request		4	70 mm ²	29104-0800
FWA 20/3K	122x132x 86	36509-0010	36573-0010	200A	200A		3	150 mm ²	29100-0900
FWA 20/4K	121x145x 84	36509-0010	36573-0010	200A	upon request		4	150 mm ²	29104-0900
FWA 25/3K	200x210x118	36680-0010	36658-0010	250A	250A		3	185 mm ²	29100-1000
FWA 25/4K	208x210x118	36680-0010	36658-0010	250A	upon request		4	185 mm ²	29104-1000
FWA 30/3K	200x210x118	36680-0010	36658-0010	315A	315A		3	195 mm ²	29100-1200
FWA 30/4K	208x210x118	36680-0010	36658-0010	315A	upon request		4	195 mm ²	29104-1200
FWA 40/3K	200x210x118	36680-0010	36658-0010	400A	400A		3	240 mm ²	29100-1300
FWA 40/4K	208x210x118	36680-0010	36658-0010	400A	upon request		4	240 mm ²	29104-1300
FWA 50/3K	200x228x118	36680-0010	36658-0010	500A	upon request		3	240 mm ²	29100-1400
FWA 50/3K	208x232x118	36680-0010	36658-0010	500A	upon request		4	240 mm ²	29104-1400
FWA 63/3K	200x225x118	36680-0010	36658-0010	630A	630A		3	240 mm ²	29100-1500
FWA 63/4K	208x232x118	36680-0010	36658-0010	630A	upon request		4	240 mm ²	29104-1500

Power distribution
components

Load-break switches without fuse-links 3 and 4-pole, type FWA-HLD

Type FWA-HLD: 250 – 1250 A / AC22B 415 V / AC23B 415 V

Type	Outer dimensions W x H x D in mm	Order no. TKV-WV Door coupling + shaft ext.	Order no. KLAD Terminal cover, single-side	Rated uninter- rupted current I _u	Rated operat- ing current I _e AC22B 415 V	Rated operat- ing current I _e AC23B 415 V	Poles	Max. conductor cross-section	Order no.
FWA-HLD 25/3K	200x210x118	36680-0010	36658-0010	250A	250A	250A	3	185 mm ²	29110-1000
FWA-HLD 25/4K	208x210x118	36680-0010	36658-0010	250A	250A	250A	4	185 mm ²	29114-1000
FWA-HLD 30/3K	200x210x118	36680-0010	36658-0010	300A	300A	250A	3	195 mm ²	29110-1200
FWA-HLD 30/4K	208x210x118	36680-0010	36658-0010	300A	300A	250A	4	195 mm ²	29114-1200
FWA-HLD 40/3K	200x210x118	36680-0010	36658-0010	400A	400A	250A	3	240 mm ²	29110-1300
FWA-HLD 40/4K	208x210x118	36680-0010	36658-0010	400A	400A	250A	4	240 mm ²	29114-1300
FWA-HLD 50/3K	200x225x118	36680-0010	36658-0010	500A	500A	400A	3	2x150 mm ²	29110-1400
FWA-HLD 50/4K	208x232x118	36680-0010	36658-0010	500A	500A	400A	4	2x150 mm ²	29114-1400
FWA-HLD 63/3K	200x225x118	36680-0010	36658-0010	630A	630A	400A	3	2x185 mm ²	29110-1500
FWA-HLD 63/4K	208x232x118	36680-0010	36658-0010	630A	630A	400A	4	2x185 mm ²	29114-1500
FWA-HLD 80/3K	280x265x160	36505-0010	36658-0010	800A	800A	500A	3	2x185 mm ²	29110-1600
FWA-HLD 80/4K	360x265x160	36505-0010	36658-0010	800A	800A	500A	4	2x185 mm ²	29114-1600
FWA-HLD 100/3	280x265x160	36505-0010	36658-0010	1000A	1000A	500A	3	2x240 mm ²	29110-1700
FWA-HLD 100/4	360x265x160	36505-0010	36658-0010	1000A	1000A	500A	4	2x240 mm ²	29114-1700
FWA-HLD 125/3	280x265x160	36505-0010	36658-0010	1250A	1250A	500A	3	2x300 mm ²	29110-1800
FWA-HLD 125/4	360x265x160	36505-0010	36658-0010	1250A	1250A	500A	4	2x300 mm ²	29114-1800

Load-break switches without fuse-links 3 and 4-pole, type FAM

Type FAM: 63 – 300 A / AC21B 690 V / AC22B 415 V

Type	Outer dimensions W x H x D in mm	Order no. H1S10 Aux. switch 1 NO / 1 NC in pos. 1	Order no. KLAD Terminal cover, single-side	Rated uninter- rupted current I _u	Rated operat- ing current I _e AC21B 690 V	Rated operat- ing current I _e AC22B 415 V	Poles	Max. conductor cross-section	Order no.
FAM 6/3	114x 95x72	36593-0010 *	integrated in switch	63A	63A	63A	3	25 mm ²	29250-0401
FAM 8/3	114x 95x72	36593-0010 *	integrated in switch	80A	80A	80A	3	25 mm ²	29250-0501
FAM 10/3	114x110x72	36593-0010 *	36702-0010	100A	100A	80A	3	70 mm ²	29250-0600
FAM 12/3	114x110x72	36593-0010 *	36702-0010	125A	125A	80A	3	70 mm ²	29250-0700
FAM 16/3	114x110x72	36593-0010 *	36702-0010	160A	160A	100A	3	70 mm ²	29250-0800
FAM 20/3	208x210x94	36596-0010	36506-0010	200A	200A	200A	3	150 mm ²	29250-0900
FAM 25/3	208x210x94	36596-0010	36506-0010	250A	250A	200A	3	150 mm ²	29250-1000
FAM 30/3	208x210x94	36596-0010	36506-0010	300A	300A	250A	3	240 mm ²	29250-1100

* Note: auxiliary contact = 1 C/O

Type	Accessories	Order no.
Clinch nut	Neutral pole for 3-pole + N	36906-0010
Lug terminal	Neutral pole for 3-pole + N	36907-0010
Box terminal	Neutral pole for 3-pole + N	36908-0010

Switch-fuses 3 and 4-pole, type SILA

Type SILA: 63 – 125 A / AC22B 415 V

Type	Outer dimen- sions W x H x D in mm	Order no. H1S10 Aux. switch 1 NO / 1 NC in pos. 1	Order no. KLAD Terminal cover, single-side	Rated uninter- rupted current I _u	Rated operat- ing current I _e AC22B 415 V	Fuse-link size NH	Poles	Max. conductor cross-section	Order no.
SILA-NH 00-6/3-SE	114x183x72	36593-0010 *	36501-0010	63A	63A	000/00	3	16-70 mm ²	29400-0400
SILA 00-12/3-SE	114x183x72	36593-0010 *	36501-0010	125A	125A	00	3	16-70 mm ²	29400-0700

* Note: auxiliary contact = 1 C/O

Type	Accessories	Order no.
Box terminal	Neutral pole for 3-pole + N	36909-0010
Lug terminal	Neutral pole for 3-pole + N	36910-0010
Clinch nut	Neutral pole for 3-pole + N	36911-0010

Switch-fuses 3 and 4-pole, type SILAD-NH

Type SILAD-NH: 63 – 630 A / AC22B 415 V

Type	Outer dimensions W x H x D in mm	Order no. H1S10 Aux. switch 1 NO / 1 NC in pos. 1	Order no. KLAD Terminal cover, single-side	Rated uninter- rupted current I _U	Rated operat- ing current I _e C22B 415 V	Fuse-link size NH	Poles	Max. conductor cross-section	Order no.
SILAD 00-6/3-SE	120x140x140	upon request	36507-0010	63A	63A	000/00	3	16- 70 mm ²	29410-0400
SILAD 00-12/3-SE	120x140x140	upon request	36507-0010	125A	125A	00	3	16- 70 mm ²	29410-0700
SILAD 1-25/3-SE	208x210x145	upon request	36506-0010	250A	250A	1	3	50-150 mm ²	29400-1000
SILAD 1-25/3+N-SE	208x210x145	upon request	36506-0010	250A	250A	1	3+N	50-150 mm ²	29403-1000
SILAD 2-40/3-SE	256x160x195	upon request	36589-0010	400A	400A	2	3	95-240 mm ²	29420-1300
SILAD 2-40/3+N-SE	256x160x195	upon request	36589-0010	400A	400A	2	3+N	95-240 mm ²	29423-1300
SILAD 3-63/3-SE	324x238x230	upon request	36591-0010	630A	630A	3	3	120-300 mm ²	29420-1500
SILAD 3-63/3+N-	324x238x230	upon request	36591-0010	630A	630A	3	3+N	120-300 mm ²	29423-1500

Type	Accessories	Order no.
Clinch nut	Neutral pole for 3-pole + N	36906-0010
Lug terminal	Neutral pole for 3-pole + N	36907-0010
Box terminal	Neutral pole for 3-pole + N	36908-0010

Switch-fuses 3 and 4-pole, type SILA-BS

Type SILA: 25 – 125 A / AC22B 415 V

Type	Outer dimensions W x H x D in mm	Order no. H1S10 Aux. switch 1 NO / 1 NC in pos. 1	Order no. KLAD Terminal cover, single-side	Rated uninter- rupted current I _U	Rated operat- ing current I _e C22B 415 V	Fuse-link sizes accord- ing to BS88	Poles	Max. conductor cross-section	Order no.
SILA-BS 2/3	100x134x77	-	Box terminals	25A	25A	F1	3	2,5-25 mm ²	29430-0101
SILA-BS 3/3	100x134x77	-	Box terminals	32A	32A	F1	3	2,5-25 mm ²	29430-0201
SILA-BS 6/3	114x202x72	upon request	36501-0010	63A	63A	A3	3	6 -50 mm ²	29430-0400
SILA-BS 10/3	114x202x72	upon request	36501-0010	100A	100A	A3	3	16 -70 mm ²	29430-0600
SILA-BS 12/3	114x202x72	upon request	36501-0010	125A	125A	A4	3	16 -70 mm ²	29430-0700

Type	Accessories	Order no.
Clinch nut	Neutral pole for 3-pole + N	36906-0010
Lug terminal	Neutral pole for 3-pole + N	36907-0010
Box terminal	Neutral pole for 3-pole + N	36908-0010

Switch-fuses 3 and 4-pole, type SILAD-BS

Type SILAD-BS: 25 – 300 A / AC22B 415 V

Type	Outer dimensions W x H x D in mm	Order no. H1S10 Aux. switch 1 NO / 1 NC in pos. 1	Order no. KLAD Terminal cover, single-side	Rated uninter- rupted current I _U	Rated operat- ing current I _e C22B 415 V	Fuse-link sizes accord- ing to BS88	Poles	Max. conductor cross-section	Order no.
SILAD-BS 2/3	114x 95x 98	-	Box terminals	25A	25A	A1	3	6- 25 mm ²	29440-0101
SILAD-BS 3/3	114x 95x 98	-	Box terminals	32A	32A	A1	3	6- 25 mm ²	29440-0201
SILAD-BS 6/3	114x 95x 98	upon request	36507-0010	63A	63A	A3	3	6- 25 mm ²	29440-0400
SILAD-BS 10/3	114x 95x 98	upon request	36507-0010	100A	100A	A3	3	16- 70 mm ²	29440-0600
SILAD-BS 12/3	114x 95x 98	upon request	36507-0010	125A	125A	B2	3	25- 70 mm ²	29440-0700
SILAD-BS 16/3	208x210x125	36596-0010	36506-0010	160A	160A	B2	3	25- 70 mm ²	29440-0800
SILAD-BS 20/3	208x210x125	36596-0010	36506-0010	200A	200A	B2	3	35- 95 mm ²	29440-0900
SILAD-BS 25/3	208x210x125	36596-0010	36506-0010	250A	250A	B3	3	50-150 mm ²	29440-1000
SILAD-BS 30/3	208x210x125	36596-0010	36506-0010	300A	300A	B3	3	70-185 mm ²	29440-1100

Type	Accessories	Order no.
Clinch nut	Neutral pole for 3-pole + N	36906-0010
Lug terminal	Neutral pole for 3-pole + N	36907-0010
Box terminal	Neutral pole for 3-pole + N	36908-0010

Load-changeover switches 3 and 4-pole, type FMU (FMUN)

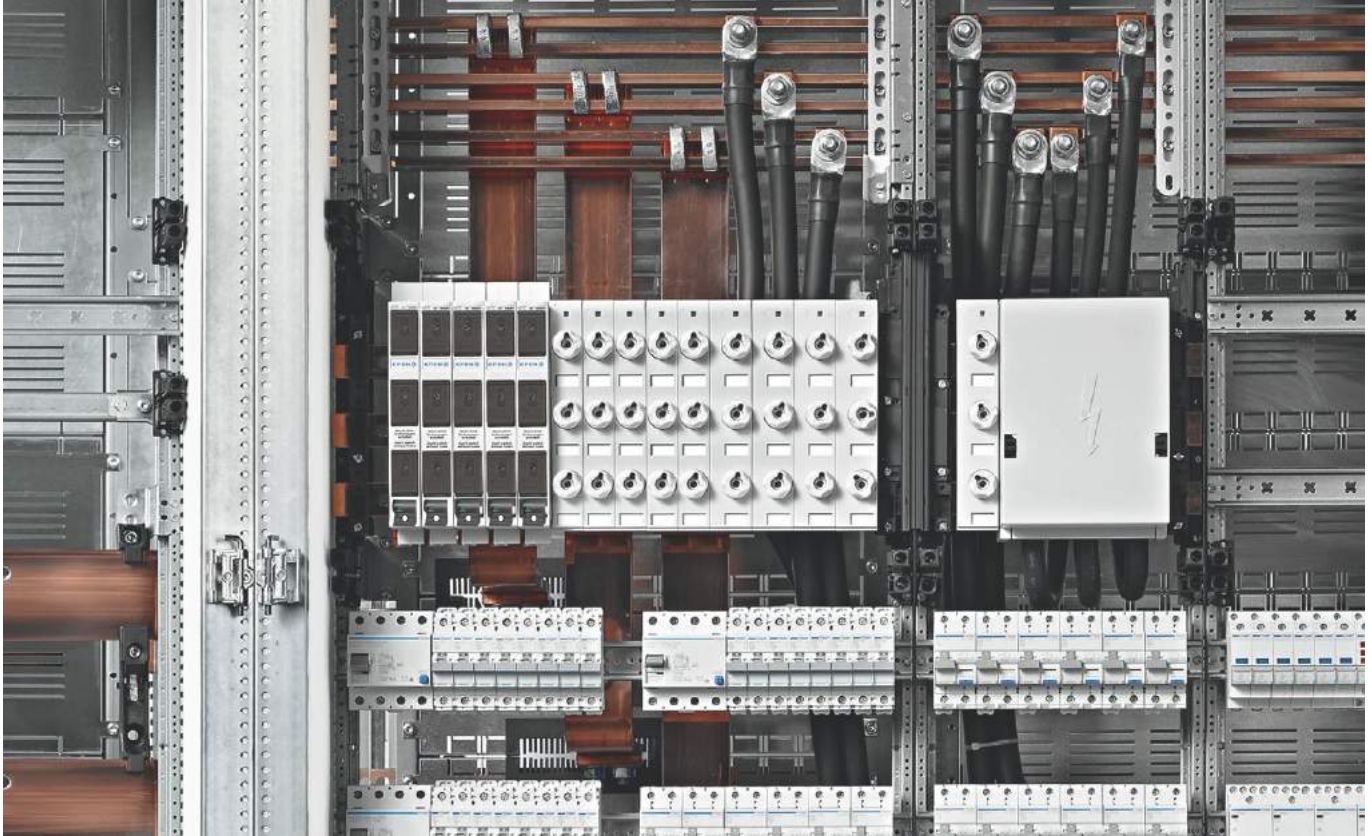
Type FMU (FMUN): 63 – 800A / AC21B 415 V

Type	Outer dimensions W x H x D in mm	Order no. TKVWV Door coupling + shaft ext.	Order no. KLAD Terminal cover	Rated uninter- rupted current I _U	Rated operat- ing current I _e C21B 415 V	Poles	Max. conductor cross-section	Order no.
FMU 6/3	189x150x 98	36509-0010	36503-0010	63A	63A	3	25 mm ²	29300-0400
FMU 6/4	189x150x 98	36509-0010	36503-0010	63A	63A	4	25 mm ²	29304-0400
FMU 8/3	189x150x 98	36509-0010	36503-0010	80A	80A	3	25 mm ²	29300-0500
FMU 8/4	189x150x 98	36509-0010	36503-0010	80A	80A	4	25 mm ²	29304-0500
FMU 10/3	189x150x 98	36509-0010	36503-0010	100A	100A	3	25 mm ²	29300-0600
FMU 10/4	189x150x 98	36509-0010	36503-0010	100A	100A	4	25 mm ²	29304-0600
FMU 12/3	189x150x 98	36509-0010	36503-0010	125A	125A	3	35 mm ²	29300-0700
FMU 12/4	189x150x 98	36509-0010	36503-0010	125A	125A	4	35 mm ²	29304-0700
FMU 16/3	189x150x 98	36509-0010	36503-0010	160A	160A	3	70 mm ²	29300-0800
FMU 16/4	189x150x 98	36509-0010	36503-0010	160A	160A	4	70 mm ²	29304-0800
FMUN 20/3	245x181x 95	36509-0010	36645-0010	200A	200A	3	120 mm ²	29320-0900
FMUN 20/4	245x181x 95	36509-0010	36645-0010	200A	200A	4	120 mm ²	29324-0900
FMUN 25/3	245x181x 95	36509-0010	36645-0010	250A	250A	3	150 mm ²	29320-1000
FMUN 25/4	245x181x 95	36509-0010	36645-0010	250A	250A	4	150 mm ²	29324-1000
FMUN 30/3	286x285x143	36505-0010	36588-0010	300A	300A	3	185 mm ²	29320-1100
FMUN 30/4	286x285x143	36505-0010	36588-0010	300A	300A	4	185 mm ²	29324-1100
FMUN 40/3	286x285x143	36505-0010	36588-0010	400A	400A	3	240 mm ²	29320-1300
FMUN 40/4	286x285x143	36505-0010	36588-0010	400A	400A	4	240 mm ²	29324-1300
FMUN 50/3	286x285x143	36505-0010	36588-0010	500A	500A	3	300 mm ²	29320-1400
FMUN 50/4	286x285x143	36505-0010	36588-0010	500A	500A	4	300 mm ²	29324-1400
FMU 63/3	390x245x180	36515-0010	36703-0010	630A	630A	3	2x185 mm ²	29300-1500
FMU 63/4	475x245x180	36515-0010	36651-0010	630A	630A	4	2x185 mm ²	29304-1500
FMU 80/3	390x253x180	36515-0010	36703-0010	800A	800A	3	2x185 mm ²	29300-1600
FMU 80/4	475x253x180	36515-0010	36651-0010	800A	800A	4	2x185 mm ²	29304-1600

Master and emergency switches 3 and 4-pole, type HSWA

Type HSWA: 205 – 630 A / AC22B 415 V / AC23B 415 V

Type	Outer dimensions W x H x D in mm	Order no. H1S10 Aux. switch 1 NO / 1 NC in pos. 1	Order no. KLAD Terminal cover, single-side	Rated uninter- rupted current I _u	Rated operat- ing current I _e AC22B 415V	Rated operat- ing current I _e AC23B 415V	Poles	Max. conductor cross-section	Order no.
HSWA 25/3K	200x210x118	36516-0010	36538-0010	250A	250A	250A	3	185 mm ²	29160-1000
HSWA 25/4K	208x210x118	36516-0010	36538-0010	250A	upon request	upon request	4	185 mm ²	29164-1000
HSWA 30/3K	200x210x118	36516-0010	36538-0010	315A	315A	250A	3	195 mm ²	29160-1200
HSWA 30/4K	208x210x118	36516-0010	36538-0010	315A	upon request	upon request	4	195 mm ²	29164-1200
HSWA 40/3K	200x210x118	36516-0010	36538-0010	400A	400A	250A	3	240 mm ²	29160-1300
HSWA 40/4K	208x210x118	36516-0010	36538-0010	400A	upon request	upon request	4	240 mm ²	29164-1300
HSWA 50/3K	200x225x118	36516-0010	36538-0010	500A	500A	400A	3	2x150 mm ²	29160-1400
HSWA 50/4K	208x232x118	36516-0010	36538-0010	500A	upon request	upon request	4	2x150 mm ²	29164-1400
HSWA 63/3K	208x225x118	36516-0010	36538-0010	630A	630A	400A	3	2x185 mm ²	29160-1500
HSWA 63/4K	208x232x118	36516-0010	36538-0010	630A	upon request	upon request	4	2x185 mm ²	29164-1500



D0 Fuse-Switches and Fuse-Bases

D0 fuse holders offer protection within the smallest space and, thanks to state-of-the-art engineering, perfectly integrate into future systems.

System

EFEN's D0 series offers proven, state-of-the-art technology with many options. Thanks to their compact design and comprehensive accessories, the products of the D0 series can be used for a wide range of applications.

Features

EFEN fuse material complies with national and international standards and regulations such as DIN, VDE and IEC. Customer-specific versions provide the right solution for all applications.



Load Break Switches / Changeover Switches

D0 Fuse-Switches, horizontal design	page 266
D0 Fuse-Switches, vertical design	page 266
D Fuse-Bases E16 to E33	page 266
D0 Fuse-Bases for busbar mounting	page 267
Accessories	page 267
Technical data	page 268

D0 Fuse-Switch
for supporting-rail mounting



D0 Fuse-Switch
for busbar mounting



D0 Fuse-Bases
for baseplate and busbar mounting



D0 Flange-Bases E16 – E33
for door and switchboard installation



D0 Fuse-Switches and Fuse-Bases

► Technical data, page 270



56025-0010

D0 Fuse-Switches, horizontal design, for supporting-rail mounting

Designation	PU	Product designation	Order no.
D0-SI-LATR 1P SLT/D02/D01	12	D0-SI-LATR 1P SLT/D02/D01	56025-0010
D0-SI-LATR 2P SLT/D02/D01	6	D0-SI-LATR 2P SLT/D02/D01	56025-0020
D0-SI-LATR 3P SLT/D02/D01	4	D0-SI-LATR 3P SLT/D02/D01	56025-0030
D0-SI-LATR 4P SLT/D02/D01	3	D0-SI-LATR 4P SLT/D02/D01	56025-0040
D0-SI-LATR 1P+N SLT/D02/D01	6	D0-SI-LATR 1P+N SLT/D02/D01	56025-0050
D0-SI-LATR 3P+N SLT/D02/D01	3	D0-SI-LATR 3P+N SLT/D02/D01	56025-0060



56040-0010

D0 Fuse-Switches, vertical design, for busbar mounting – 60 mm system

Designation	PU	Product designation	Order no.
D-LA-LEI 3P 60mm D01/02 10x38	3	D-LA-LEI 3P 60 mm D01/02 10x38	56040-0010
D-LA-LEI 3P+N 60mm D01/02 10x38	3	D-LA-LEI 3P+N 60 mm D01/02 10x38	56040-0020
D-LA-LEI 3P K 60mm D01/02	4	D-LA-LEI 3P K 60 mm D01/02	56041-0010



56000-0010

D Fuse-Base E16 for door or switchboard installation

Features:

- DIN 49336
- 25A / 500 V
- Black molded material, molded lock nut
- Live metal parts made of nickel-plated brass

Designation	PU	Product designation	Order no.
D-SOCK E16	10	D-SOCK E16	56000-0010
D-SOCK E16 RU	10	D-SOCK E16 RU	56000-0030
D-SOCK E16 RU PL	10	D-SOCK E16 RU PL	56000-0050



56001-0010

D Fuse-Base E27 for door or switchboard installation

Features:

- DIN 49337
- 25A / 500 V
- Black molded material, molded lock nut
- Live metal parts made of nickel-plated brass

Designation	PU	Product designation	Order no.
A D-SOCK E27 DII	10	A D-SOCK E27 DII	56001-0010
A D-SOCK E27 DII RU	10	A D-SOCK E27 DII RU	56001-0030



56002-0010

D Fuse-Base E33 for door or switchboard installation

Features:

- DIN 49339
- 63 A / 690 V
- Black molded material, molded lock nut
- Live metal parts made of nickel-plated brass

Designation	PU	Product designation	Order no.
A D-SOCK E33 DIII	1	A D-SOCK E33 DIII	56002-0010
A D-SOCK E33 DIII RU	1	A D-SOCK E33 DIII RU	56002-0020

D0 Fuse-Bases

► Technical data, page 268



56010-0010

D Fuse-Base E33 for door or switchboard installation

Features:

- DIN 49339, 63 A, 690 V
- Black molded material, molded lock nut
- Live metal parts made of nickel-plated brass

Designation	PU	Product designation	Order no.
D-SOCK E33 DIII 1200V RU	1	D-SOCK E33 DIII 1200V RU	56010-0020



56016-0010

D0 Fuse-Base

Features:

- Complies with DIN 49524, VDE 0636/T41, EN 60269, VDE approval, DEMKO
- Rated voltage 400 V ~
- 16 A – 100 A
- Ceramic socket material
- Snaps onto supporting rails acc. to DIN 46277
- With cover cap

Designation	PU	Product designation	Order no.
D-SOCK D01 16A 1P AS	100	D-SOCK D01 16A 1P AS	56015-0010
D-SOCK D01 16A 1P AS, W/O CAP AND SPRING	100	D-SOCK D01 16A 1P AS OHNE KAPPE U. FEDER	56015-0020
D-SOCK D02 63A 1P S/S	100	D-SOCK D02 63A 1P S/S	56016-0010
D-SOCK D02 63A 1P SR/S	100	D-SOCK D02 63A 1P SR/S	56016-0020
D-SOCK D02 63A 1P S/-, W/O CAP AND SPRING	100	D-SOCK D02 63A 1P S/- OHNE KAPPE U. FEDER	56016-0030
D-SOCK D01 16A 3P AS	100	D-SOCK D01 16A 3P AS	56018-0010
D-SOCK D02 63A 3P S/S	100	D-SOCK D02 63A 3P S/S	56019-0010
D-SOCK D03 100 A 3P S/S	100	D-SOCK D03 100A 3P S/S	56020-0010
D-SOCK D01 16A 3P SIS	100	D-SOCK D01 16A 3P SIS	56023-0010



56518-0010

D0 Fuse-Bases for busbar mounting – 60 mm system

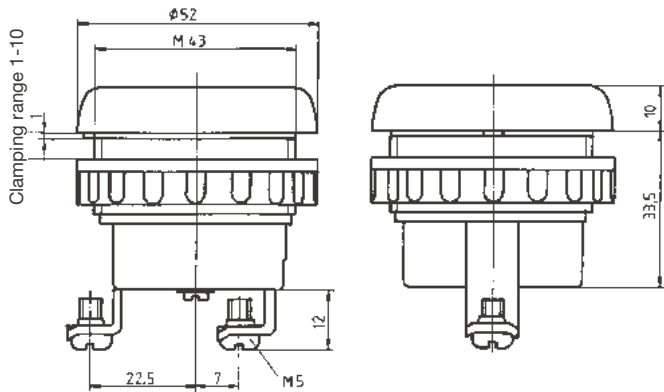
Designation	PU	Product designation	Order no.
D-SOCK E27 SB 3P	10	D-SOCK E27 SB 3P	56527-0010
D-SOCK E33 SB 3P	10	D-SOCK E33 SB 3P	56533-0010
D-SOCK E18 SB 3P, w/o cover	10	D-SOCK E18 SB 3P ohne Abdeck.	56518-0010
D-SOCK E18 SB 3P, 27 mm cover	10	D-SOCK E18 SB 3P Abdeck.27mm	56518-0110
D-SOCK E18 SB 3P, 36 mm cover	10	D-SOCK E18 SB 3P Abdeck.36mm	56518-0210
D-SOCK E18 SB 3P, 54 mm cover	10	D-SOCK E18 SB 3P Abdeck.54mm	56518-0310

D0 accessories

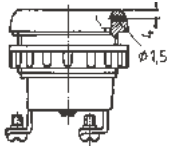
Designation	PU	Product designation	Order no.
D0 REDUCTION SPRING SLT D01 in D02	12	D0-REDUZIERHALTEFEDER SLT D01 in D02	56025-0900
Cable routing spacer D-LA-LEI 3P K	40	Kabelf. Abstandh. D-LA-LEI 3P K	56041-0900
D-LA-LEI protection against contact 37.5 mm	10	D-LA-LEI Hintergreifschutz 37,5mm	56040-0900
D-LA-LEI cover / fuse holder VE3	3	D-LA-LEI Deckel / Sicherungshalter VE3	56040-0910

D0 Fuse-Bases

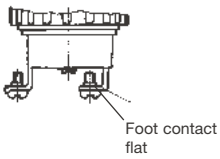
Type 56001-0010



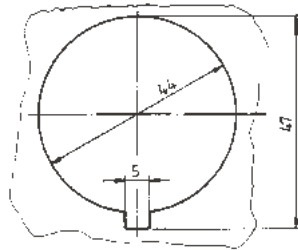
Sealable versions



Variant with flat foot contact



Mounting hole

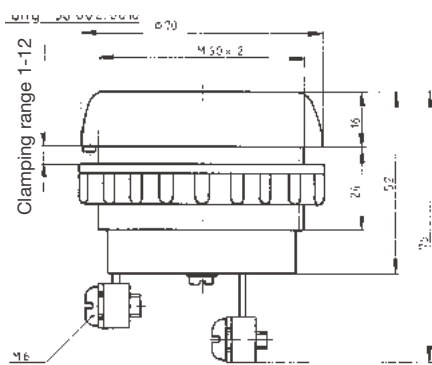


Other types

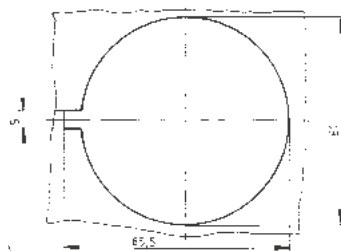
ID number	Rated voltage V	Code
56001-0030	vibration-proof	Ru

D screw caps	56100- ... /56202- ...
D gauge rings	58001- ... /58002- ...
D fuse elements	55000- ... /55001- ...

Type 56002-0010



Mounting hole



Other types

ID number	Rated voltage V	Code
56002-0020	vibration-proof	Ru

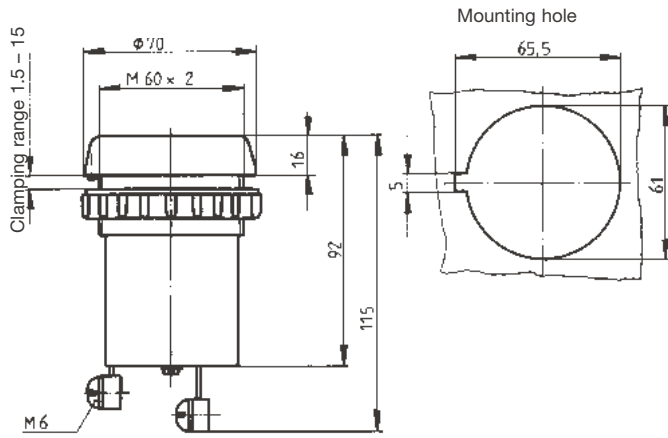
For other types please inquire

D gage rings	DIII 58004- ...
D screw caps	DIII 56103- ...

Power distribution components

D0 Fuse-Bases

Type 56010-0010



Other types

ID number	Rated voltage V	Code
56010-0020	vibration-proof	Ru

For other types please inquire

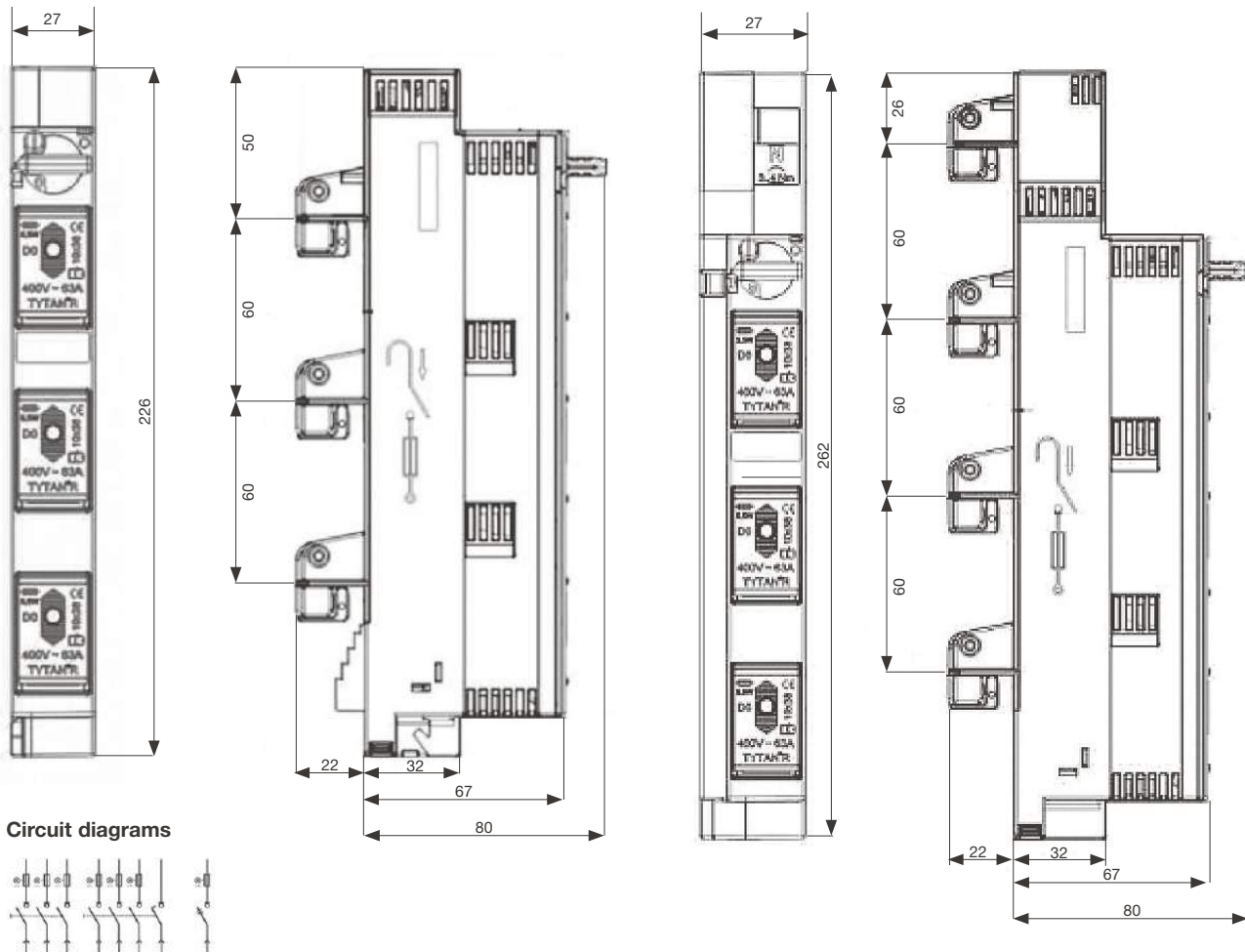
D fuse elements	DIII 55002- ...
D gage rings	DIII 58004- ...
D screw caps	DIII 56103- ...

D0 Fuse-Switches, vertical design, with fuse-monitoring

Technical data 56040-0010

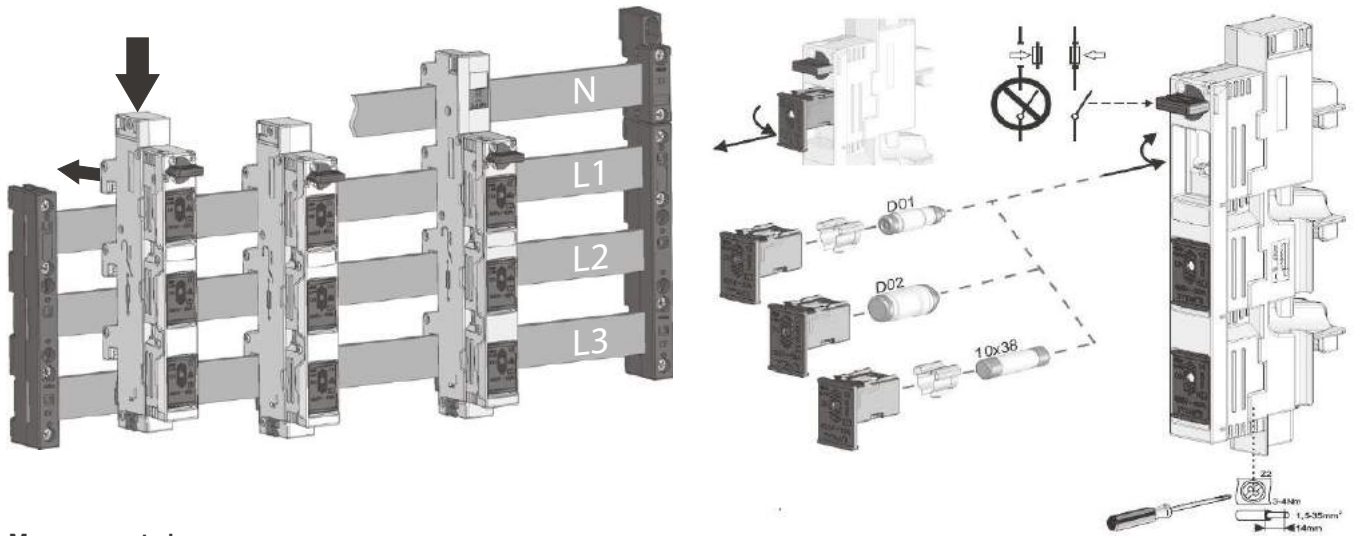
Classification	Switch-fuse
Requirements / Standards	DIN VDE 0638 DIN EN 60947-3; IEC 947-3
Suitable for D0 fuses acc. to DIN 49522	D01; 2, 4, 6, 10, 13, 16 A with reduction spring D02; 20, 25, 32, 35, 40, 50, 63 A
Suitable for cylindrical fuse elements acc. to IEC EN 60269-1	10 x 38 mm: 2 – 32 A with reduction spring
Suitable for gage pieces acc. to DIN 49523	D02: 2, 4, 6, 10, 16, 20, 25, 35, 50 A
Number of poles	3-pole, 3-pole + N
Insulation parts	Plastic, free of halogens, phosphorus and silicone
Fire classification / leakage resistance	UL94/V0, filament test 960 °C / CTI600
Degree of protection / protection against contact	IP20 / protects fingers and back of the hand
Rated operating voltage U_e	400 V~
Rated operating current I_e	63 A
Rated uninterrupted current I_e	63 A
Rated short-circuit making-capacity I_{cm}	50 kA _{eff}
Switching category	AC 23B
Overvoltage category	IV (DIN VDE 0110)
Pollution degree	3 (DIN VDE 0110)
Rated impulse withstand-current U_{imp}	6000 V
Terminal connection	Stainless steel terminal 1.5 – 35 mm ²
Tightening torque M_D	4 Nm

Power distribution components



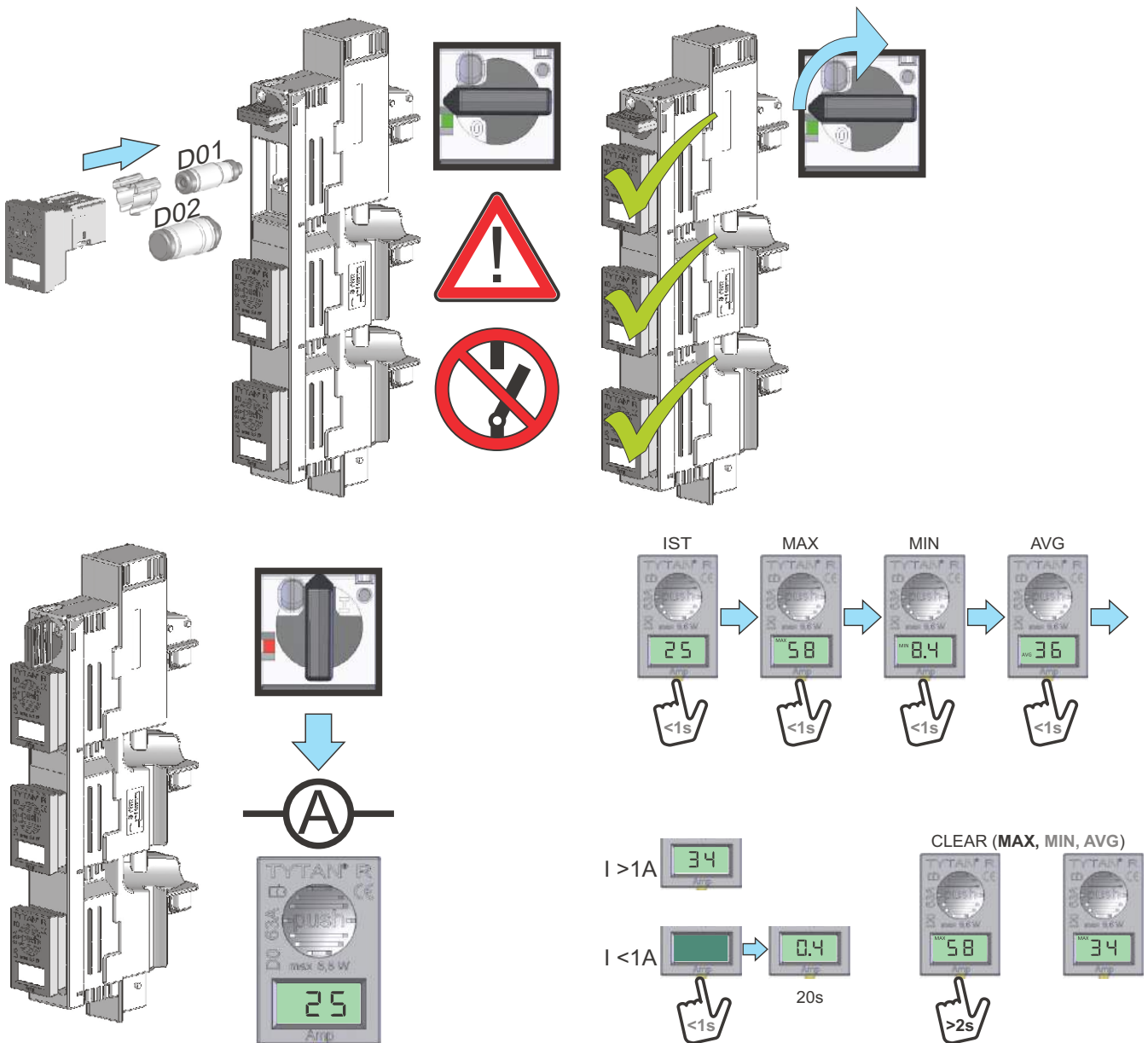
D0 Fuse-Switches, vertical design, with fuse-monitoring

Installation



Power distribution components

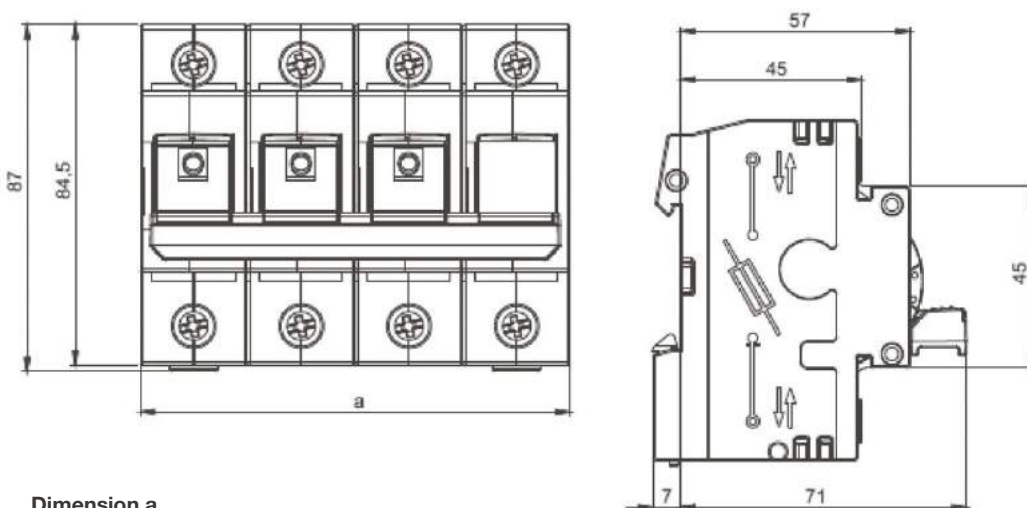
Measurement pin



D0 Fuse-Switches, horizontal design, for supporting-rail mounting

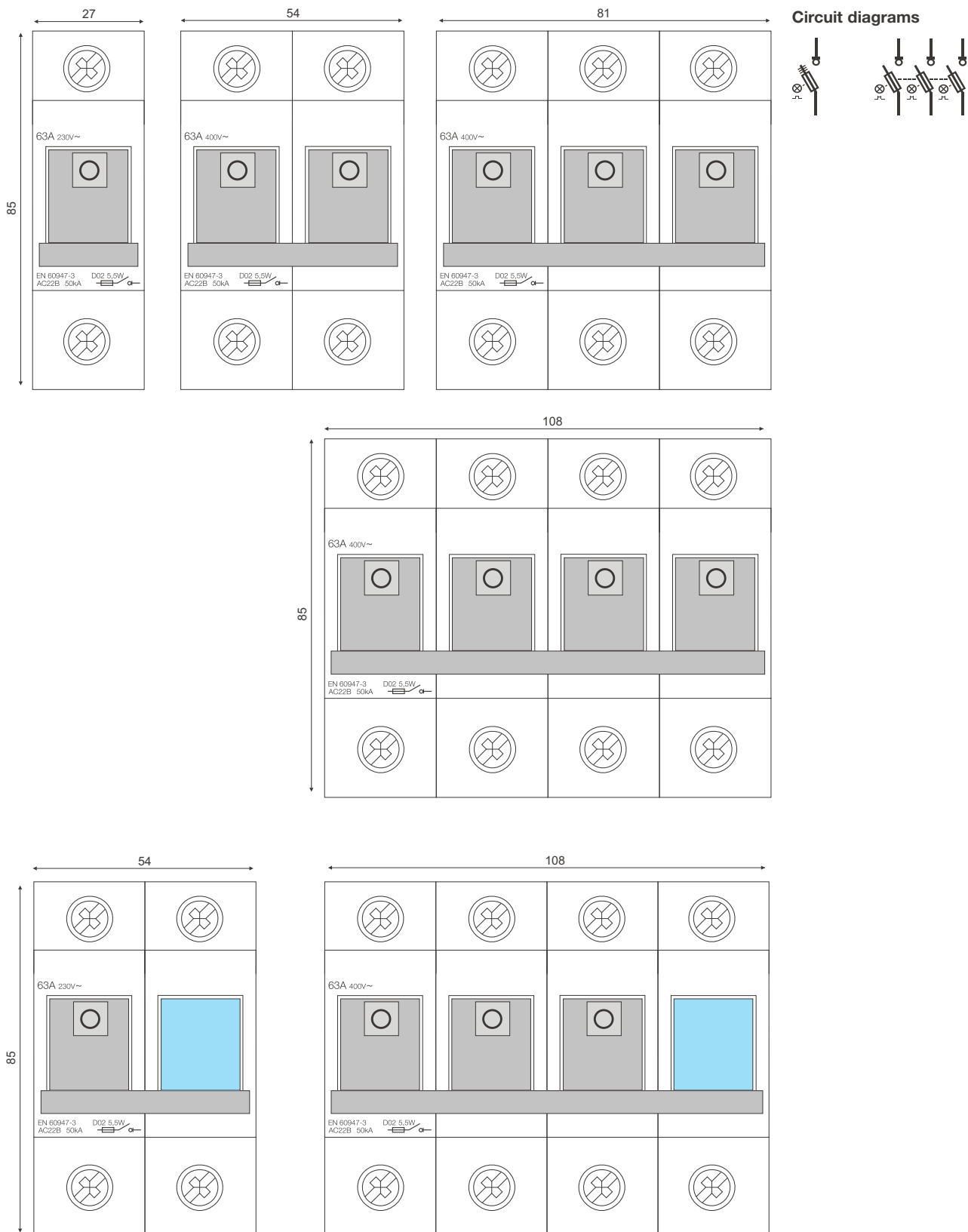
Fuse-Switches for supporting rails

Requirements	DIN VDE 0660 part / Teil 107, EN 60947, IEC 60947-3
	DIN VDE 0636 part / Teil 41, IEC 60269-3
	DIN VDE 0638, DIN VDE 43880
Number of poles	1-pole, 2-pole, 3-pole, 4-pole
Handling	Clip-on system without screw caps
suitable for gL, gG and aM fuses	D01: 2, 4, 6, 10, 16
	D02: 20, 25, 35, 50, 63
Ambient temperature	in storage min./max. -25 °C / +100 °C
	in operation min./max. -25 °C / +60 °C
Fire classification / leakage resistance	UL94/V0, filament test 960 °C / CTI 600
Protection against contact	IP 20
Rated operating voltage U_e	- AC 400V
	DC 1-pole up to 110 V, 2-pole up to 220 V
Rated operational current I_e	63 A
Rated uninterrupted current I_e	63 A
Overvoltage category/pollution degree	IV/3 (DIN VDE 0110)
Rated impulse withstand-current U_{imp}	6000 V
Rated special voltage AC	440 V, for use with 440 V fuse-links only
Max. heating at I_u and ambient temperature	approx. 25 °C / fuse pin approx. 30 °C, stainless-steel cage terminal
Terminal connection	Cross-sections 1.5 – 35 mm ²
Torque	M6 Pozidriv max. 4 Nm
Rated short-circuit making-capacity I_{cm}	I _{cm} = 50 kA _{eff}
Switching category	AC 22B


Dimension a

1-pole	27 mm
2-pole	54 mm
3-pole	81 mm
4-pole	108 mm
1-pole + N	54 mm
3-pole + N	108 mm

D0 Fuse-Switches, horizontal design, for supporting-rail mounting



Power distribution components

The integrated terminal with a cross-section of 1.5 – 35 mm² allows the combined connection of rails up to 16 mm² and lines with end sleeves up to 16 mm². The maximum tightening torque is 4 Nm.

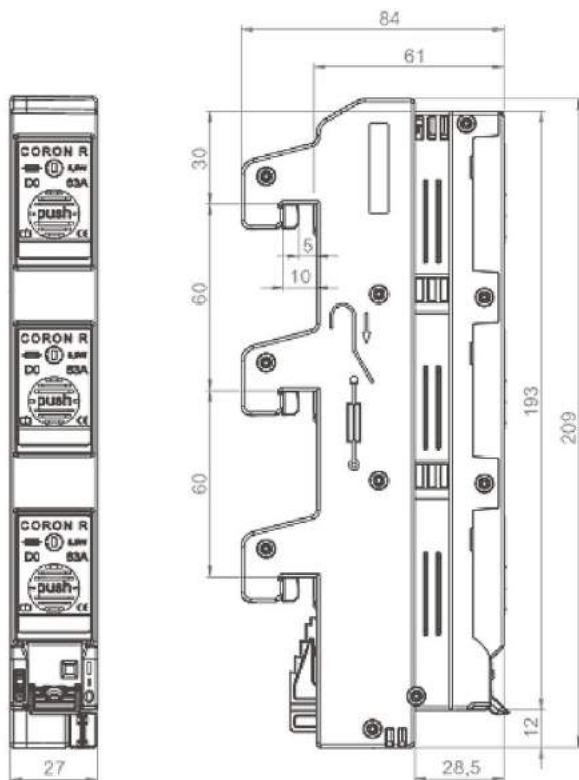
Bending-tested with 16 mm² rails and 16 mm² lines with end sleeves in accordance with DIN/EN 60947-1, paragraph 8.2.4.3.

Pull-tested with 16 mm² rails and 16 mm² lines with end sleeves in accordance with DIN/EN 60947-1, paragraph 8.2.4.4.

D0 Fuse-Switches, vertical design, for 60 mm busbar mounting, short version

Technical data 56041-0010

Classification	Switch-fuse
Requirements / Standards	DIN VDE 0638 DIN EN 60947-3; IEC 947-3
Suitable for D0 fuses acc. to DIN 49522	D01; 2, 4, 6, 10, 13, 16 A with reduction spring D02; 20, 25, 32, 35, 40, 50, 63 A
Suitable for cylindrical fuse elements acc. to IEC EN 60269-1	10 x 38 mm: 2 – 32 A with reduction spring
Suitable for gage pieces acc. to DIN 49523	D02: 2, 4, 6, 10, 16, 20, 25, 35, 50 A
Number of poles	3-pole, 3-pole + N
Insulation parts	Plastic, free of halogens, phosphorus and silicone
Fire classification / leakage resistance	UL94/V0, filament test 960 °C / CTI600
Degree of protection / protection against contact	IP20 / protects fingers and back of the hand
Rated operating voltage U_e	400 V~
Rated operating current I_e	63 A
Rated uninterrupted current I_e	63 A
Rated short-circuit making-capacity I_{cm}	50 kA _{eff}
Switching category	AC 22B
Overvoltage category	IV (DIN VDE 0110)
Pollution degree	3 (DIN VDE 0110)
Rated impulse withstand-current U_{imp}	6000 V
Terminal connection	Stainless steel terminal 1.5 – 35 mm ²
Tightening torque M_b	4 Nm



D0 Fuse-Switches, vertical design, for 60 mm busbar mounting, short version

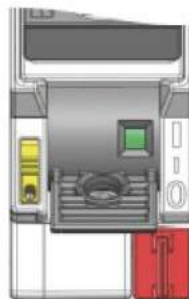
Functions / Visualization

Ready for operation

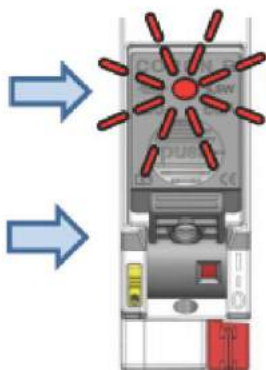
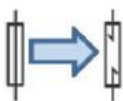


Off

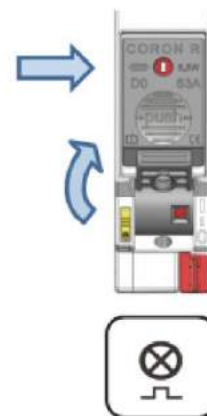
On



Fault – fuse is tripped

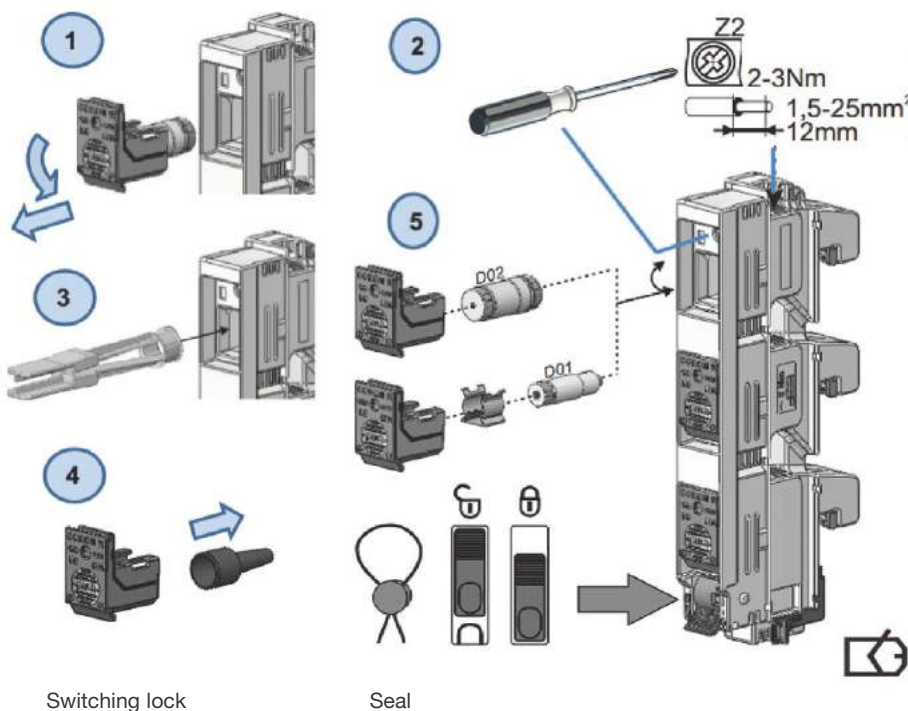


RESET



The optoelectronic indicator flashes when the fuse-link is disconnected. Thanks to this immediate fault indication, a mechanical indicator is no longer needed.

Operation / fuse-link and conductor connection



Power distribution components



Measurement and
Communication

Energy Efficiency through Metering and Control

In addition to a complete range of current transformers, EFEN offers various special-purpose transformers for the ideal integration into smart distribution systems. In addition to this, the current transformer range is complemented by monitoring functions for power distribution components.



Window-type current transformers and tube-type current transformers

Comprehensive portfolio of window-type current transformers for primary currents up to 5000 Amps as well as tube-type current transformers up to 600 Amps for line metering or vertical design NH fuse-switches. Also available in PTB-compliant variants for billing purposes.

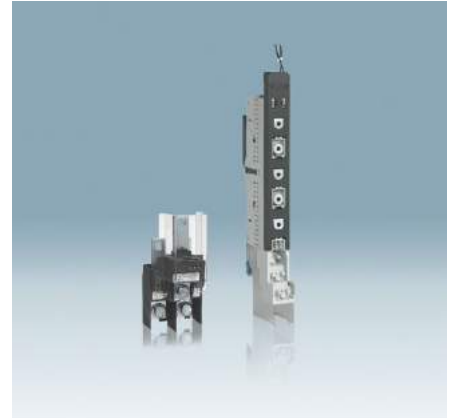
Product overview page 280



Special-purpose current transformers

Wound-primary current transformers for higher classes and powers, summation current transformers for up to 10 window-type current transformers as well as transformers for NH fuse-links complement EFEN's comprehensive range for special applications.

Product overview page 301



Transformer blocks for E³ vertical design NH Fuse-Switches

Comfortable and time-saving integration of current transformers into E³ vertical-design NH fuse-switches. From rear-side installation in fuse-switches of size 00 to the compact design for the terminal space of fuse-switches of size 1 to 3.

Product overview page 330



Fuse-Monitoring

Integrated solutions by EFEN for remote signaling of the operating status of fuse-links for NH fuse-switches of vertical and horizontal design.

Product overview page 336



Metering devices

In addition to power metering, harmonics analysis and visualization, the multi-measurement devices are ment to save measured data. These are transmitted to superordinate power management systems via optional interface modules.

Product overview page 360



Measurement and
Communication

Low-Voltage Current Transformers

In addition to a complete range of current transformers for rated current of up to 5,000 A, EFEN also offers numerous special-purpose transformers. These were designed to be integrated perfectly into any smart distribution system.

System

The comprehensive ranges comprise window-type current transformers, tube-type current transformers, wound-primary current transformers, summary current transformers, current transformer kits and transformer blocks.

Features

The EFEN product portfolio is characterized by high material quality and a wide range of accessories.



Low-Voltage Current Transformers

Window-type current transformers PSA series	page 280
Tube-type current transformers PSR series	page 296
Wound-primary current transformers PSW series	page 301
Summation current transformers PSS series	page 303
Window-type current transformers EPSA series for billing purposes	page 305
Accessories for window-type current transformers and tube-type current transformers	page 319
Technical data	page 320
Current transformers for NH Fuse-Switches	page 330
Technical data	page 332

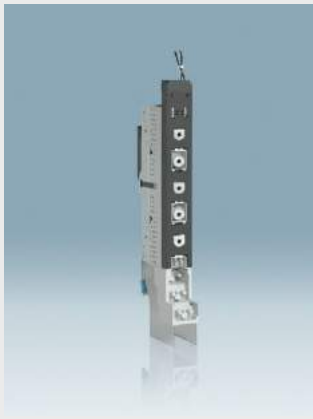
Window-type current transformer PSA 113
also PTB-compliant



Tube-type current transformer PSR 253



E³ Current transformer block
for vertical-design NH fuse-switches
size 1 - 3



E³ current transformer block
PTB-compliant variant, sizes 00,
for terminal space



Special-purpose current transformers
Wound-primary current transformers, summary current
transformers and transformers for NH fuse-links



Window-type current transformers

► Technical data, page 323



77101-1122

PSA 213 window-type current transformer

Features:

- Primary busbar 20 x 10 mm, accuracy class 0.5

Primary current	Secondary current	VA	Accuracy class	PU	Product designation	Order no.
75	5	1,5	0,5	3	PSA 213 75/5 1,5 0,5-WA 20X10 60-30	77101-1122
100	5	2,5	0,5	3	PSA 213 100/5 2,5 0,5-WA 20X10 60-30	77101-1332
125	5	5	0,5	3	PSA 213 125/5 5,0 0,5-WA 20X10 60-30	77101-1432
150	5	2,5	0,5	3	PSA 213 150/5 2,5 0,5-WA 20X10 60-30	77101-1532
200	5	5	0,5	3	PSA 213 200/5 5 0,5-WA 20x10 60-30	77101-1642
250	5	5	0,5	3	PSA 213 250/5 5,0 0,5-WA 20X10 60-30	77101-1742
75	1	1,5	0,5	3	PSA 213 75/1 1,5 0,5-WA 20X10 60-30	77101-6122
80	1	1,5	0,5	3	PSA 213 80/1 1,5 0,5-WA 20X10 60-30	77101-6222
100	1	2,5	0,5	3	PSA 213 100/1 2,5 0,5-WA 20X10 60-30	77101-6332



77101-1333

PSA 213 window-type current transformer

Features:

- Primary busbar 20 x 10 mm, accuracy class 1

Primary current	Secondary current	VA	Accuracy class	PU	Product designation	Order no.
50	5	1,5	1	3	PSA 213 50/5 1,5 1-WA 20X10 60-30	77101-0923
60	5	2,5	1	3	PSA 213 60/5 2,5 1-WA 20X10 60-30	77101-1033
75	5	2,5	1	3	PSA 213 75/5 2,5 1-WA 20X10 60-30	77101-1133
80	5	2,5	1	3	PSA 213 80/5 2,5 1-WA 20X10 60-30	77101-1233
100	5	2,5	1	3	PSA 213 100/5 2,5 1-WA 20X10 60-30	77101-1333
125	5	5	1	3	PSA 213 125/5 5,0 1-WA 20X10 60-30	77101-1443
150	5	5	1	3	PSA 213 150/5 5,0 1-WA 20X10 60-30	77101-1543
200	5	5	1	3	PSA 213 200/5 5,0 1-WA 20X10 60-30	77101-1643
200	5	10	1	3	PSA 213 200/5 10 1-WA 20X10 60-30	77101-1663
250	5	5	1	3	PSA 213 250/5 5,0 1-WA 20X10 60-30	77101-1743
250	5	10	1	3	PSA 213 250/5 10 1-WA 20X10 60-30	77101-1763
300	5	10	1	3	PSA 213 300/5 10 1-WA 20X10 60-30	77101-1863
50	1	1,5	1	3	PSA 213 50/1 1,5 1-WA 20X10 60-30	77101-5923
60	1	1,5	1	3	PSA 213 60/1 1,5 1-WA 20X10 60-30	77101-6023
75	1	2,5	1	3	PSA 213 75/1 2,5 1-WA 20X10 60-30	77101-6133
100	1	2,5	1	3	PSA 213 100/1 2,5 1-WA 20X10 60-30	77101-6333
125	1	5	1	3	PSA 213 125/1 5,0 1-WA 20X10 60-30	77101-6443
150	1	5	1	3	PSA 213 150/1 5,0 1-WA 20X10 60-30	77101-6543
200	1	10	1	3	PSA 213 200/1 10 1-WA 20X10 60-30	77101-6663
250	1	10	1	3	PSA 213 250/1 10 1-WA 20X10 60-30	77101-6763
300	1	5	1	3	PSA 213 300/1 5,0 1-WA 20X10 60-30	77101-6843
300	1	10	1	3	PSA 213 300/1 10 1-WA 20X10 60-30	77101-6863



77102-1342

PSA 215 window-type current transformer

Features:

- Primary busbar 20 x 10 mm, accuracy class 0.5

Primary current	Secondary current	VA	Accuracy class	PU	Product designation	Order no.
100	5	5	0,5	3	PSA 215 100/5 5,0 0,5-WA 20X10 60-55	77102-1342
125	5	5	0,5	3	PSA 215 125/5 5 0,5-WA 20x10 60-55	77102-1442
150	5	5	0,5	3	PSA 215 150/5 5 0,5-WA 20X10 60-55	77102-1542
100	1	5	0,5	3	PSA 215 100/1 5 0,5-WA 20X10 60-55	77102-6342
125	1	5	0,5	3	PSA 215 125/1 5 0,5-WA 20X10 60-55	77102-6442
150	1	5	0,5	3	PSA 215 150/1 5 0,5-WA 20X10 60-55	77102-6542

Window-type current transformers

► Technical data, page 323



77102-0813

PSA 215 window-type current transformer

Features:

- Primary busbar 20 x 10 mm, accuracy class 1

Primary current	Secondary current	VA	Accuracy class	PU	Product designation	Order no.
40	5	1	1	3	PSA 215 40/5 1,0 1-WA 20X10 60-55	77102-0813
50	5	2,5	1	3	PSA 215 50/5 2,5 1-WA 20X10 60-55	77102-0933
75	5	5	1	3	PSA 215 75/5 5,0 1-WA 20X10 60-55	77102-1143
80	5	5	1	3	PSA 215 80/5 5,0 1-WA 20X10 60-55	77102-1243
100	5	10	1	3	PSA 215 100/5 10 1-WA 20X10 60-55	77102-1363
125	5	10	1	3	PSA 215 125/5 10 1-WA 20X10 60-55	77102-1463
150	5	10	1	3	PSA 215 150/5 10 1-WA 20X10 60-55	77102-1563
50	1	2,5	1	3	PSA 215 50/1 2,5 1-WA 20X10 60-55	77102-5933
75	1	5	1	3	PSA 215 75/1 5,0 1-WA 20X10 60-55	77102-6143
80	1	5	1	3	PSA 215 80/1 5,0 1-WA 20X10 60-55	77102-6243
100	1	10	1	3	PSA 215 100/1 10 1-WA 20X10 60-55	77102-6363
125	1	10	1	3	PSA 215 125/1 10 1-WA 20X10 60-55	77102-6463
150	1	10	1	3	PSA 215 150/1 10 1-WA 20X10 60-55	77102-6563



77105-1532

PSA 113 window-type current transformer

Features:

- Primary busbar 30 x 10 mm, accuracy class 0.5

Primary current	Secondary current	VA	Accuracy class	PU	Product designation	Order no.
150	5	2,5	0,5	3	PSA 113 150/5 2,5 0,5-WA 30X10 50-30	77105-1532
200	5	2,5	0,5	3	PSA 113 200/5 2,5 0,5-WA 30X10 50-30	77105-1632
250	5	2,5	0,5	3	PSA 113 250/5 2,5 0,5-WA 30X10 50-30	77105-1732
300	5	2,5	0,5	3	PSA 113 300/5 2,5 0,5-WA 30X10 50-30	77105-1832
400	5	2,5	0,5	3	PSA 113 400/5 2,5 0,5-WA 30X10 50-30	77105-1932
500	5	2,5	0,5	3	PSA 113 500/5 2,5 0,5-WA 30x10 50-30	77105-2032
600	5	2,5	0,5	3	PSA 113 600/5 2,5 0,5-WA 30X10 50-30	77105-2132
150	1	2,5	0,5	3	PSA 113 150/1 2,5 0,5-WA 30X10 50-30	77105-6532
200	1	2,5	0,5	3	PSA 113 200/1 2,5 0,5-WA 30X10 50-30	77105-6632
250	1	2,5	0,5	3	PSA 113 250/1 2,5 0,5-WA 30X10 50-30	77105-6732
300	1	2,5	0,5	3	PSA 113 300/1 2,5 0,5-WA 30X10 50-30	77105-6832
400	1	2,5	0,5	3	PSA 113 400/1 2,5 0,5-WA 30X10 50-30	77105-6932
500	1	2,5	0,5	3	PSA 113 500/1 2,5 0,5-WA 30X10 50-30	77105-7032



77105-2143

PSA 113 window-type current transformer

Features:

- Primary busbar 30 x 10 mm, accuracy class 1

Primary current	Secondary current	VA	Accuracy class	PU	Product designation	Order no.
600	1	2,5	0,5	3	PSA 113 600/1 2,5 0,5-WA 30X10 50-30	77105-7132
60	5	1	1	3	PSA 113 60/5 1,0 1-WA 30X10 50-30	77105-1013
75	5	1,5	1	3	PSA 113 75/5 1,5 1-WA 30X10 50-30	77105-1123
200	5	5	1	3	PSA 113 200/5 5,0 1-WA 30X10 50-30	77105-1643
250	5	5	1	3	PSA 113 250/5 5,0 1-WA 30X10 50-30	77105-1743
100	5	2,5	1	3	PSA 113 100/5 2,5 1-WA 30X10 50-30	77105-1333
125	5	2,5	1	3	PSA 113 125/5 2,5 1-WA 30X10 50-30	77105-1433
150	5	2,5	1	3	PSA 113 150/5 2,5 1-WA 30X10 50-30	77105-1533
200	5	2,5	1	3	PSA 113 200/5 2,5 1-WA 30X10 50-30	77105-1633
250	5	2,5	1	3	PSA 113 250/5 2,5 1-WA 30X10 50-30	77105-1733
300	5	2,5	1	3	PSA 113 300/5 2,5 1-WA 30X10 50-30	77105-1833
300	5	5	1	3	PSA 113 300/5 5,0 1-WA 30X10 50-30	77105-1843
400	5	2,5	1	3	PSA 113 400/5 2,5 1-WA 30X10 50-30	77105-1933
400	5	5	1	3	PSA 113 400/5 5,0 1-WA 30X10 50-30	77105-1943
500	5	5	1	3	PSA 113 500/5 5,0 1-WA 30X10 50-30	77105-2043
500	5	7,5	1	3	PSA 113 500/5 7,5 1-WA 30X10 50-30	77105-2053
600	5	5	1	3	PSA 113 600/5 5,0 1-WA 30X10 50-30	77105-2143
600	5	7,5	1	3	PSA 113 600/5 7,5 1-WA 30X10 50-30	77105-2153

Window-type current transformers

► Technical data, page 323



77105-2143

PSA 113 window-type current transformer

Features:

- Primary busbar 30 x 10 mm, accuracy class 1

Primary current	Secondary current	VA	Accuracy class	PU	Product designation	Order no.
60	1	1	1	3	PSA 113 60/1 1,0 1-WA 30X10 50-30	77105-6013
75	1	1,5	1	3	PSA 113 75/1 1,5 1-WA 30X10 50-30	77105-6123
80	1	2,5	1	3	PSA 113 80/1 2,5 1-WA 30X10 50-30	77105-6233
100	1	2,5	1	3	PSA 113 100/1 2,5 1-WA 30X10 50-30	77105-6333
125	1	2,5	1	3	PSA 113 125/1 2,5 1-WA 30X10 50-30	77105-6433
150	1	2,5	1	3	PSA 113 150/1 2,5 1-WA 30X10 50-30	77105-6533
200	1	2,5	1	3	PSA 113 200/1 2,5 1-WA 30X10 50-30	77105-6633
200	1	5	1	3	PSA 113 200/1 5,0 1-WA 30X10 50-30	77105-6643
250	1	2,5	1	3	PSA 113 250/1 2,5 1-WA 30X10 50-30	77105-6733
250	1	5	1	3	PSA 113 250/1 5,0 1-WA 30X10 50-30	77105-6743
300	1	2,5	1	3	PSA 113 300/1 2,5 1-WA 30X10 50-30	77105-6833
300	1	5	1	3	PSA 113 300/1 5,0 1-WA 30X10 50-30	77105-6843
400	1	2,5	1	3	PSA 113 400/1 2,5 1-WA 30X10 50-30	77105-6933
400	1	5	1	3	PSA 113 400/1 5,0 1-WA 30X10 50-30	77105-6943
500	1	5	1	3	PSA 113 500/1 5,0 1-WA 30X10 50-30	77105-7043
600	1	2,5	0,5	3	PSA 113 600/1 2,5 0,5-WA 30X10 50-30	77105-7132
600	1	5	1	3	PSA 113 600/1 5,0 1-WA 30X10 50-30	77105-7143
600	1	7,5	1	3	PSA 113 600/1 7,5 1-WA 30X10 50-30	77105-7153



77107-1332

PSA 115 window-type current transformer

Features:

- Primary busbar 30 x 10 mm, accuracy class 0.5

Primary current	Secondary current	VA	Accuracy class	PU	Product designation	Order no.
100	5	2,5	0,5	3	PSA 115 100/5 2,5 0,5-WA 30x10 50-50	77107-1332
125	5	2,5	0,5	3	PSA 115 125/5 2,5 0,5-WA 30X10 50-50	77107-1432
150	5	5	0,5	3	PSA 115 150/5 5,0 0,5-WA 30X10 50-50	77107-1542
200	5	5	0,5	3	PSA 115 200/5 5,0 0,5-WA 30X10 50-50	77107-1642
250	5	5	0,5	3	PSA 115 250/5 5,0 0,5-WA 30X10 50-50	77107-1742
300	5	5	0,5	3	PSA 115 300/5 5,0 0,5-WA 30X10 50-50	77107-1842
400	5	10	0,5	3	PSA 115 400/5 10 0,5-WA 30x10 50-50	77107-1962
500	5	10	0,5	3	PSA 115 500/5 10 0,5-WA 30X10 50-50	77107-2062
600	5	10	0,5	3	PSA 115 600/5 10 0,5-WA 30X10 50-50	77107-2162
100	1	2,5	0,5	3	PSA 115 100/1 2,5 0,5-WA 30X10 50-50	77107-6332
125	1	2,5	0,5	3	PSA 115 125/1 2,5 0,5-WA 30X10 50-50	77107-6432
150	1	5	0,5	3	PSA 115 150/1 5,0 0,5-WA 30X10 50-50	77107-6542
200	1	5	0,5	3	PSA 115 200/1 5,0 0,5-WA 30X10 50-50	77107-6642
250	1	5	0,5	3	PSA 115 250/1 5,0 0,5-WA 30X10 50-50	77107-6742
300	1	5	0,5	3	PSA 115 300/1 5,0 0,5-WA 30X10 50-50	77107-6842
400	1	10	0,5	3	PSA 115 400/1 10 0,5-WA 30X10 50-50	77107-6962
500	1	10	0,5	3	PSA 115 500/1 10 0,5-WA 30X10 50-50	77107-7062
600	1	10	0,5	3	PSA 115 600/1 10 0,5-WA 30X10 50-50	77107-7162



77107-2163

PSA 115 window-type current transformer

Features:

- Primary busbar 30 x 10 mm, accuracy class 1

Primary current	Secondary current	VA	Accuracy class	PU	Product designation	Order no.
50	5	1,5	1	3	PSA 115 50/5 1,5 1-WA 30X10 50-50	77107-0923
60	5	1,5	1	3	PSA 115 60/5 1,5 1-WA 30X10 50-50	77107-1023
75	5	2,5	1	3	PSA 115 75/5 2,5 1-WA 30X10 50-50	77107-1133
100	5	5	1	3	PSA 115 100/5 5,0 1-WA 30X10 50-50	77107-1343
125	5	5	1	3	PSA 115 125/5 5,0 1-WA 30X10 50-50	77107-1443
150	5	5	1	3	PSA 115 150/5 5,0 1-WA 30X10 50-50	77107-1543
200	5	5	1	3	PSA 115 200/5 5,0 1-WA 30X10 50-50	77107-1643
200	5	10	1	3	PSA 115 200/5 10 1-WA 30X10 50-50	77107-1663
250	5	10	1	3	PSA 115 250/5 10 1-WA 30X10 50-50	77107-1763

Window-type current transformers

► Technical data, page 323



77107-2163

PSA 115 window-type current transformer

Features:

- Primary busbar 30 x 10 mm, accuracy class 1

Primary current	Secondary current	VA	Accuracy class	PU	Product designation	Order no.
300	5	10	1	3	PSA 115 300/5 10 1-WA 30X10 50-50	77107-1863
400	5	10	1	3	PSA 115 400/5 10 1-WA 30X10 50-50	77107-1963
400	5	15	1	3	PSA 115 400/5 15 1-WA 30X10 50-50	77107-1973
500	5	10	1	3	PSA 115 500/5 10 1-WA 30X10 50-50	77107-2063
500	5	15	1	3	PSA 115 500/5 15 1-WA 30x10 50-50	77107-2073
600	5	10	1	3	PSA 115 600/5 10 1-WA 30X10 50-50	77107-2163
600	5	15	1	3	PSA 115 600/5 15 1-WA 30X10 50-50	77107-2173
50	1	1,5	1	3	PSA 115 50/1 1,5 1-WA 30X10 50-50	77107-5923
60	1	1,5	1	3	PSA 115 60/1 1,5 1-WA 30X10 50-50	77107-6023
75	1	2,5	1	3	PSA 115 75/1 2,5 1-WA 30X10 50-50	77107-6133
100	1	5	1	3	PSA 115 100/1 5,0 1-WA 30X10 50-50	77107-6343
125	1	5	1	3	PSA 115 125/1 5,0 1-WA 30X10 50-50	77107-6443
150	1	5	1	3	PSA 115 150/1 5,0 1-WA 30X10 50-50	77107-6543
200	1	5	1	3	PSA 115 200/1 5 1-WA 30X10 50-50	77107-6643
200	1	10	1	3	PSA 115 200/1 10 1-WA 30X10 50-50	77107-6663
250	1	10	1	3	PSA 115 250/1 10 1-WA 30X10 50-50	77107-6763
300	1	10	1	3	PSA 115 300/1 10 1-WA 30X10 50-50	77107-6863
400	1	10	1	3	PSA 115 400/1 10 1-WA 30X10 50-50	77107-6963
400	1	15	1	3	PSA 115 400/1 15 1-WA 30X10 50-50	77107-6973
500	1	15	1	3	PSA 115 500/1 15 1-WA 30X10 50-50	77107-7073
500	1	10	1	3	PSA 115 500/1 10 1-WA 30X10 50-50	77107-7063
600	1	10	1	3	PSA 115 600/1 10 1-WA 30X10 50-50	77107-7163
600	1	15	1	3	PSA 115 600/1 15 1-WA 30X10 50-50	77107-7173



77106-1322

PSA 313 window-type current transformer

Features:

- Primary busbar 30 x 10 mm, accuracy class 0.5

Primary current	Secondary current	VA	Accuracy class	PU	Product designation	Order no.
100	5	1,5	0,5	3	PSA 313 100/5 1,5 0,5-WA 30X10 60-30	77106-1322
150	5	2,5	0,5	3	PSA 313 150/5 2,5 0,5-WA 30X10 60-30	77106-1532
200	5	5	0,5	3	PSA 313 200/5 5,0 0,5-WA 30X10 60-30	77106-1642
250	5	5	0,5	3	PSA 313 250/5 5,0 0,5-WA 30X10 60-30	77106-1742
300	5	5	0,5	3	PSA 313 300/5 5,0 0,5-WA 30X10 60-30	77106-1842
300	5	10	0,5	3	PSA 313 300/5 10 0,5-WA 30X10 60-30	77106-1862
400	5	5	0,5	3	PSA 313 400/5 5,0 0,5-WA 30X10 60-30	77106-1942
400	5	10	0,5	3	PSA 313 400/5 10 0,5-WA 30X10 60-30	77106-1962
500	5	5	0,5	3	PSA 313 500/5 5,0 0,5-WA 30X10 60-30	77106-2042
500	5	10	0,5	3	PSA 313 500/5 10 0,5-WA 30X10 60-30	77106-2062
600	5	5	0,5	3	PSA 313 600/5 5,0 0,5-WA 30X10 60-30	77106-2142
600	5	10	0,5	3	PSA 313 600/5 10 0,5-WA 30X10 60-30	77106-2162
100	1	1,5	0,5	3	PSA 313 100/1 1,5 0,5-WA 30X10 60-30	77106-6322
150	1	2,5	0,5	3	PSA 313 150/1 2,5 0,5-WA 30X10 60-30	77106-6532
200	1	5	0,5	3	PSA 313 200/1 5,0 0,5-WA 30X10 60-30	77106-6642
250	1	5	0,5	3	PSA 313 250/1 5,0 0,5-WA 30X10 60-30	77106-6742
300	1	5	0,5	3	PSA 313 300/1 5,0 0,5-WA 30X10 60-30	77106-6842
400	1	5	0,5	3	PSA 313 400/1 5,0 0,5-WA 30X10 60-30	77106-6942
500	1	5	0,5	3	PSA 313 500/1 5,0 0,5-WA 30X10 60-30	77106-7042
600	1	5	0,5	3	PSA 313 600/1 5,0 0,5-WA 30X10 60-30	77106-7142

Window-type current transformers

► Technical data, page 323



77106-1763

PSA 313 window-type current transformer

Features:

- Primary busbar 30 x 10 mm, accuracy class 1

Primary current	Secondary current	VA	Accuracy class	PU	Product designation	Order no.
100	5	2,5	1	3	PSA 313 100/5 2,5 1-WA 30X10 60-30	77106-1333
125	5	2,5	1	3	PSA 313 150/5 2,5 1-WA 30X10 60-30	77106-1533
150	5	5	1	3	PSA 313 150/5 5,0 1-WA 30X10 60-30	77106-1543
200	5	5	1	3	PSA 313 200/5 5,0 1-WA 30X10 60-30	77106-1643
250	5	5	1	3	PSA 313 250/5 5,0 1-WA 30X10 60-30	77106-1743
250	5	10	1	3	PSA 313 250/5 10 1-WA 30X10 60-30	77106-1763
300	5	5	1	3	PSA 313 300/5 5,0 1-WA 30X10 60-30	77106-1843
300	5	10	1	3	PSA 313 300/5 10 1-WA 30X10 60-30	77106-1863
400	5	5	1	3	PSA 313 400/5 5,0 1-WA 30X10 60-30	77106-1943
400	5	10	1	3	PSA 313 400/5 10 1-WA 30X10 60-30	77106-1963
500	5	5	1	3	PSA 313 500/5 5,0 1-WA 30X10 60-30	77106-2043
500	5	10	1	3	PSA 313 500/5 10 1-WA 30X10 60-30	77106-2063
600	5	5	1	3	PSA 313 600/5 5,0 1-WA 30X10 60-30	77106-2143
600	5	10	1	3	PSA 313 600/5 10 1-WA 30X10 60-30	77106-2163
100	1	2,5	1	3	PSA 313 100/1 2,5 1-WA 30X10 60-30	77106-6333
150	1	2,5	1	3	PSA 313 150/1 2,5 1-WA 30X10 60-30	77106-6533
200	1	5	1	3	PSA 313 200/1 5,0 1-WA 30X10 60-30	77106-6643
250	1	5	1	3	PSA 313 250/1 5,0 1-WA 30X10 60-30	77106-6743
250	1	10	1	3	PSA 313 250/1 10 1-WA 30X10 60-30	77106-6763
300	1	5	1	3	PSA 313 300/1 5,0 1-WA 30X10 60-30	77106-6843
300	1	10	1	3	PSA 313 300/1 10 1-WA 30X10 60-30	77106-6863
400	1	5	1	3	PSA 313 400/1 5,0 1-WA 30X10 60-30	77106-6943
400	1	10	1	3	PSA 313 400/1 10 1-WA 30X10 60-30	77106-6963
500	1	5	1	3	PSA 313 500/1 5,0 1-WA 30X10 60-30	77106-7043
500	1	10	1	3	PSA 313 500/1 10 1-WA 30X10 60-30	77106-7063
600	1	5	1	3	PSA 313 600/1 5,0 1-WA 30X10 60-30	77106-7143
600	1	10	1	3	PSA 313 600/1 10 1-WA 30X10 60-30	77106-7163



77108-1132

PSA 315 window-type current transformer

Features:

- Primary busbar 30 x 10 mm, accuracy class 0.5

Primary current	Secondary current	VA	Accuracy class	PU	Product designation	Order no.
75	5	2,5	0,5	3	PSA 315 75/5 2,5 0,5-WA 30X10 60-55	77108-1132
100	5	2,5	0,5	3	PSA 315 100/5 2,5 0,5-WA 30X10 60-55	77108-1332
150	5	5	0,5	3	PSA 315 150/5 5,0 0,5-WA 30X10 60-55	77108-1542
200	5	10	0,5	3	PSA 315 200/5 10 0,5-WA 30X10 60-55	77108-1662
250	5	10	0,5	3	PSA 315 250/5 10 0,5-WA 30X10 60-55	77108-1762
300	5	15	0,5	3	PSA 315 300/5 15 0,5-WA 30X10 60-55	77108-1872
400	5	15	0,5	3	PSA 315 400/5 15 0,5-WA 30X10 60-55	77108-1972
100	1	2,5	0,5	3	PSA 315 100/1 2,5 0,5-WA 30X10 60-55	77108-6332
150	1	5	0,5	3	PSA 315 150/1 5,0 0,5-WA 30X10 60-55	77108-6542
200	1	10	0,5	3	PSA 315 200/1 10 0,5-WA 30X10 60-55	77108-6662
250	1	10	0,5	3	PSA 315 250/1 10 0,5-WA 30X10 60-55	77108-6762



77108-1343

PSA 315 window-type current transformer

Features:

- Primary busbar 30 x 10 mm, accuracy class 1

Primary current	Secondary current	VA	Accuracy class	PU	Product designation	Order no.
75	5	2,5	1	3	PSA 315 75/5 2,5 1-WA 30X10 60-55	77108-1133
100	5	5	1	3	PSA 315 100/5 5,0 1-WA 30X10 60-55	77108-1343
150	5	5	1	3	PSA 315 150/5 5,0 1-WA 30X10 60-55	77108-1543
150	5	10	1	3	PSA 315 150/5 10 1-WA 30X10 60-55	77108-1563
200	5	10	1	3	PSA 315 200/5 10 1-WA 30X10 60-55	77108-1663
200	5	15	1	3	PSA 315 200/5 15 1-WA 30X10 60-55	77108-1673
250	5	10	1	3	PSA 315 250/5 10 1-WA 30X10 60-55	77108-1763

Window-type current transformers

► Technical data, page 324



77108-1343

PSA 315 window-type current transformer

Features:

- Primary busbar 30 x 10 mm, accuracy class 1

Primary current	Secondary current	VA	Accuracy class	PU	Product designation	Order no.
300	5	15	1	3	PSA 315 300/5 15 1-WA 30X10 60-55	77108-1873
400	5	15	1	3	PSA 315 400/5 15 1-WA 30X10 60-55	77108-1973
75	1	2,5	1	3	PSA 315 75/1 2,5 1-WA 30X10 60-55	77108-6133
100	1	5	1	3	PSA 315 100/1 5,0 1-WA 30X10 60-55	77108-6343
150	1	5	1	3	PSA 315 150/1 5,0 1-WA 30X10 60-55	77108-6543
200	1	10	1	3	PSA 315 200/1 10 1-WA 30X10 60-55	77108-6663
200	1	15	1	3	PSA 315 200/1 15 1-WA30x10 60-55	77105-6673
200	1	15	1	3	PSA 315 200/1 15 1-WA 30X10 60-55	77108-6673
250	1	10	1	3	PSA 315 250/1 10 1-WA 30-10 60-55	77105-6763



77113-1632

PSA 413 window-type current transformer

Features:

- Primary busbar 40 x 12 mm, accuracy class 0.5

Primary current	Secondary current	VA	Accuracy class	PU	Product designation	Order no.
200	5	2,5	0,5	3	PSA 413 200/5 2,5 0,5-WA 40X12 60-30	77113-1632
250	5	2,5	0,5	3	PSA 413 250/5 2,5 0,5-WA 40X12 60-30	77113-1732
250	5	5	0,5	3	PSA 413 250/5 5,0 0,5-WA 40X12 60-30	77113-1742
300	5	5	0,5	3	PSA 413 300/5 5,0 0,5-WA 40X12 60-30	77113-1842
400	5	2,5	0,5	3	PSA 413 400/5 2,5 0,5-WA 40X12 60-30	77113-1932
400	5	5	0,5	3	PSA 413 400/5 5,0 0,5-WA 40X12 60-30	77113-1942
500	5	5	0,5	3	PSA 413 500/5 5,0 0,5-WA 40X12 60-30	77113-2042
600	5	5	0,5	3	PSA 413 600/5 5,0 0,5-WA 40X12 60-30	77113-2142
750	5	5	0,5	3	PSA 413 750/5 5,0 0,5-WA 40X12 60-30	77113-2242
800	5	5	0,5	3	PSA 413 800/5 5,0 0,5-WA 40X12 60-30	77113-2342
200	1	2,5	0,5	3	PSA 413 200/1 2,5 0,5-WA 40X12 60-30	77113-6632
250	1	2,5	0,5	3	PSA 413 250/1 2,5 0,5-WA 40X12 60-30	77113-6732
250	1	5	0,5	3	PSA 413 250/1 5,0 0,5-WA 40X12 60-30	77113-6742
300	1	5	0,5	3	PSA 413 300/1 5,0 0,5-WA 40X12 60-30	77113-6842
400	1	5	0,5	3	PSA 413 400/1 5,0 0,5-WA 40X12 60-30	77113-6942
500	1	5	0,5	3	PSA 413 500/1 5,0 0,5-WA 40X12 60-30	77113-7042
600	1	5	0,5	3	PSA 413 600/1 5,0 0,5-WA 40X12 60-30	77113-7142
800	1	5	0,5	3	PSA 413 800/1 5,0 0,5-WA 40X12 60-30	77113-7342



77113-1633

PSA 413 window-type current transformer

Features:

- Primary busbar 40 x 12 mm, accuracy class 1

Primary current	Secondary current	VA	Accuracy class	PU	Product designation	Order no.
150	5	2,5	1	3	PSA 413 150/5 2,5 1-WA 40X12 60-30	77113-1533
200	5	2,5	1	3	PSA 413 200/5 2,5 1-WA 40X12 60-30	77113-1633
200	5	5	1	3	PSA 413 200/5 5,0 1-WA 40X12 60-30	77113-1643
250	5	5	1	3	PSA 413 250/5 2,5 1-WA 40X12 60-30	77113-1733
250	5	5	1	3	PSA 413 250/5 5,0 1-WA 40X12 60-30	77113-1743
300	5	5	1	3	PSA 413 300/5 5,0 1-WA 40X12 60-30	77113-1843
300	5	7,5	1	3	PSA 413 300/5 7,5 1-WA 40X12 60-30	77113-1853
400	5	5	1	3	PSA 413 400/5 5,0 1-WA 40X12 60-30	77113-1943
400	5	10	1	3	PSA 413 400/5 10 1-WA 40X12 60-30	77113-1963
500	5	5	1	3	PSA 413 500/5 5,0 1-WA 40X12 60-30	77113-2043
500	5	10	1	3	PSA 413 500/5 10 1-WA 40X12 60-30	77113-2063
600	5	5	1	3	PSA 413 600/5 5,0 1-WA 40X12 60-30	77113-2143
600	5	10	1	3	PSA 413 600/5 10 1-WA 40X12 60-30	77113-2163
750	5	5	1	3	PSA 413 750/5 5,0 1-WA 40X12 60-30	77113-2243
750	5	10	1	3	PSA 413 750/5 10 1-WA 40X12 60-30	77113-2263
800	5	5	1	3	PSA 413 800/5 5,0 1-WA 40X12 60-30	77113-2343
800	5	10	1	3	PSA 413 800/5 10 1-WA 40X12 60-30	77113-2363
150	1	2,5	1	3	PSA 413 150/1 2,5 1-WA 40X12 60-30	77113-6533

Window-type current transformers

► Technical data, page 324



77113-1633

PSA 413 window-type current transformer

Features:

- Primary busbar 40 x 12 mm, accuracy class 1

Primary current	Secondary current	VA	Accuracy class	PU	Product designation	Order no.
200	1	2,5	1	3	PSA 413 200/1 2,5 1-WA 40X12 60-30	77113-6633
200	1	4	1	3	PSA 413 200/1 5,0 1-WA 40X12 60-30	77113-6643
250	1	2,5	1	3	PSA 413 250/1 2,5 1-WA 40X12 60-30	77113-6733
250	1	5	1	3	PSA 413 250/1 5,0 1-WA 40X12 60-30	77113-6743
300	1	5	1	3	PSA 413 300/1 5,0 1-WA 40X12 60-30	77113-6843
300	1	7,5	1	3	PSA 413 300/1 7,5 1-WA 40X12 60-30	77113-6853
400	1	5	1	3	PSA 413 400/1 5,0 1-WA 40X12 60-30	77113-6943
400	1	10	1	3	PSA 413 400/1 10 1-WA 40X12 60-30	77113-6963
500	1	5	1	3	PSA 413 500/1 5,0 1-WA 40X12 60-30	77113-7043
500	1	10	1	3	PSA 413 500/1 10 1-WA 40X12 60-30	77113-7063
600	1	5	1	3	PSA 413 600/1 5,0 1-WA 40X12 60-30	77113-7143
600	1	10	1	3	PSA 413 600/1 10 1-WA 40X12 60-30	77113-7163
750	1	10	1	3	PSA 413 750/1 10 1-WA 40X12 60-30	77113-7263
800	1	10	1	3	PSA 413 800/1 10 1-WA 40X12 60-30	77113-7363



77111-2163

PSA 415 window-type current transformer

Features:

- Primary busbar 40 x 12 mm, accuracy class 0.5

Primary current	Secondary current	VA	Accuracy class	PU	Product designation	Order no.
600	5	10	0,5	3	PSA 415 600/5 10 0,5-WA 40X12 60-55	77111-2162
800	5	10	0,5	3	PSA 415 800/5 10 0,5-WA 40X12 60-55	77111-2362



77111-1543

PSA 415 window-type current transformer

Features:

- Primary busbar 40 x 12 mm, accuracy class 1

Primary current	Secondary current	VA	Accuracy class	PU	Product designation	Order no.
150	5	5	1	3	PSA 415 150/5 5,0 1-WA 40X12 60-55	77111-1543
200	5	10	1	3	PSA 415 200/5 10 1-WA 40X12 60-55	77111-1663
250	5	10	1	3	PSA 415 250/5 10 1-WA 40X12 60-55	77111-1763
300	5	10	1	3	PSA 415 300/5 10 1-WA 40X12 60-55	77111-1863
150	1	5	1	3	PSA 415 150/1 5 1-WA 40X12 60-55	77111-6543
200	1	10	1	3	PSA 415 200/1 10 1-WA 40X12 60-55	77111-6663
250	1	10	1	3	PSA 415 250/1 10 1-WA 40X12 60-55	77111-6763
300	1	10	1	3	PSA 415 300/1 10 1-WA 40X12 60-55	77111-6863



77115-1742

PSA 513 window-type current transformer

Features:

- Primary busbar 50 x 12 mm, accuracy class 0.5

Primary current	Secondary current	VA	Accuracy class	PU	Product designation	Order no.
250	5	5	0,5	3	PSA 513 250/5 5,0 0,5-WA 50X12 85-30	77115-1742
300	5	5	0,5	3	PSA 513 300/5 5,0 0,5-WA 50X12 85-30	77115-1842
400	5	5	0,5	3	PSA 513 400/5 5,0 0,5-WA 50X12 85-30	77115-1942
500	5	5	0,5	3	PSA 513 500/5 5,0 0,5-WA 50X12 85-30	77115-2042
600	5	5	0,5	3	PSA 513 600/5 5,0 0,5-WA 50X12 85-30	77115-2142
600	5	10	0,5	3	PSA 513 600/5 10,0 0,5-WA 50X12 85-30	77115-2162
750	5	5	0,5	3	PSA 513 750/5 5,0 0,5-WA 50X12 85-30	77115-2242
750	5	10	0,5	3	PSA 513 750/5 10,0 0,5-WA 50X12 85-30	77115-2262
800	5	5	0,5	3	PSA 513 800/5 5,0 0,5-WA 50X12 85-30	77115-2342
800	5	10	0,5	3	PSA 513 800/5 10,0 0,5-WA 50X12 85-30	77115-2362
1000	5	5	0,5	3	PSA 513 1000/5 5,0 0,5-WA 50X12 85-30	77115-2442
1000	5	10	0,5	3	PSA 513 1000/5 10,0 0,5-WA 50X12 85-30	77115-2462

Window-type current transformers

► Technical data, page 324



77115-1742

PSA 513 window-type current transformer

Features:

- Primary busbar 50 x 12 mm, accuracy class 0.5

Primary current	Secondary current	VA	Accuracy class	PU	Product designation	Order no.
1000	5	15	0,5	3	PSA 513 1000/5 15 0,5-WA 50X12 85-30	77115-2472
1200	5	10	0,5	3	PSA 513 1200/5 10 0,5-WA 50X12 85-30	77115-2562
1200	5	15	0,5	3	PSA 513 1200/5 15 0,5-WA 50X12 85-30	77115-2572
1250	5	10	0,5	3	PSA 513 1250/5 10 0,5-WA 50X12 85-30	77115-2662
1250	5	15	0,5	3	PSA 513 1250/5 15 0,5-WA 50X12 85-30	77115-2672
250	1	5	0,5	3	PSA 513 250/1 5,0 0,5-WA 50X12 85-30	77115-6742
300	1	5	0,5	3	PSA 513 300/1 5,0 0,5-WA 50X12 85-30	77115-6842
400	1	5	0,5	3	PSA 513 400/1 5,0 0,5-WA 50X12 85-30	77115-6942
500	1	5	0,5	3	PSA 513 500/1 5,0 0,5-WA 50X12 85-30	77115-7042
600	1	5	0,5	3	PSA 513 600/1 5 0,5-WA 50X12 85-30	77115-7142
750	1	5	0,5	3	PSA 513 750/1 5,0 0,5-WA 50X12 85-30	77115-7242
800	1	10	0,5	3	PSA 513 800/1 10 0,5-WA 50X12 85-30	77115-7362
1000	1	10	0,5	3	PSA 513 1000/1 10 0,5-WA 50X12 85-30	77115-7462
1200	1	10	0,5	3	PSA 513 1200/1 10 0,5-WA 50X12 85-30	77115-7562
1250	1	10	0,5	3	PSA 513 1250/1 10 0,5-WA 50X12 85-30	77115-7662



77115-2663

PSA 513 window-type current transformer

Features:

- Primary busbar 50 x 12 mm, accuracy class 1

Primary current	Secondary current	VA	Accuracy class	PU	Product designation	Order no.
200	5	5	1	3	PSA 513 200/5 5,0 1-WA 50X12 85-30	77115-1643
250	5	5	1	3	PSA 513 250/5 5,0 1-WA 50X12 85-30	77115-1743
250	5	10	1	3	PSA 513 250/5 10 1-WA 50X12 85-30	77115-1763
300	5	5	1	3	PSA 513 300/5 5,0 1-WA 50X12 85-30	77115-1843
300	5	10	1	3	PSA 513 300/5 10 1-WA 50X12 85-30	77115-1863
300	1	5	1	3	PSA 513 300/1 5,0 1-WA 50X12 85-30	77115-6843
400	5	5	1	3	PSA 513 400/5 5,0 1-WA 50X12 85-30	77115-1943
400	5	10	1	3	PSA 513 400/5 10 1-WA 50X12 85-30	77115-1963
400	5	15	1	3	PSA 513 400/5 15 1-WA 50X12 85-30	77115-1973
500	5	5	1	3	PSA 513 500/5 5,0 1-WA 50X12 85-30	77115-2043
500	5	10	1	3	PSA 513 500/5 10 1-WA 50X12 85-30	77115-2063
500	5	15	1	3	PSA 513 500/5 15 1-WA 50X12 85-30	77115-2073
600	5	5	1	3	PSA 513 600/5 5,0 1-WA 50X12 85-30	77115-2143
600	5	10	1	3	PSA 513 600/5 10 1-WA 50X12 85-30	77115-2163
600	5	15	1	3	PSA 513 600/5 15 1-WA 50X12 85-30	77115-2173
750	5	5	1	3	PSA 513 750/5 5,0 1-WA 50X12 85-30	77115-2243
750	5	10	1	3	PSA 513 750/5 10 1-WA 50X12 85-30	77115-2263
750	5	15	1	3	PSA 513 750/5 15 1-WA 50X12 85-30	77115-2273
800	5	5	1	3	PSA 513 800/5 5,0 1-WA 50X12 85-30	77115-2343
800	5	10	1	3	PSA 513 800/5 10 1-WA 50X12 85-30	77115-2363
800	5	15	1	3	PSA 513 800/5 15 1-WA 50X12 85-30	77115-2373
1000	5	5	1	3	PSA 513 1000/5 5,0 1-WA 50X12 85-30	77115-2443
1000	5	10	1	3	PSA 513 1000/5 10 1-WA 50X12 85-30	77115-2463
1000	5	15	1	3	PSA 513 1000/5 15 1-WA 50X12 85-30	77115-2473
1200	5	5	1	3	PSA 513 1200/5 5,0 1-WA 50X12 85-30	77115-2543
1200	5	10	1	3	PSA 513 1200/5 10 1-WA 50X12 85-30	77115-2563
1200	5	15	1	3	PSA 513 1200/5 15 1-WA 50X12 85-30	77115-2573
1250	5	5	1	3	PSA 513 1250/5 5,0 1-WA 50X12 85-30	77115-2643
1250	5	10	1	3	PSA 513 1250/5 10 1-WA 50X12 85-30	77115-2663
1250	5	15	1	3	PSA 513 1250/5 15 1-WA 50X12 85-30	77115-2673
200	1	5	1	3	PSA 513 200/1 5,0 1-WA 50X12 85-30	77115-6643
250	1	5	1	3	PSA 513 250/1 5,0 1-WA 50X12 85-30	77115-6743
300	1	10	1	3	PSA 513 300/1 10 1-WA 50X12 85-30	77115-6863
400	1	5	1	3	PSA 513 400/1 5,0 0,5-WA 50X12 85-30	77115-6943
400	1	10	1	3	PSA 513 400/1 10,0 1,0-WA 50X12 85-30	77115-6963

Window-type current transformers

► Technical data, page 324



77115-2663

PSA 513 window-type current transformer

Features:

- Primary busbar 50 x 12 mm, accuracy class 1

Primary current	Secondary current	VA	Accuracy class	PU	Product designation	Order no.
500	1	10	1	3	PSA 513 500/1 10 1-WA 50X12 85-30	77115-7063
600	1	5	1	3	PSA 513 600/1 5,0 1-WA 50X12 85-30	77115-7143
600	1	10	1	3	PSA 513 600/1 10 1-WA 50X12 85-30	77115-7163
750	1	5	1	3	PSA 513 750/1 5,0 1-WA 50X12 85-30	77115-7243
750	1	10	1	3	PSA 513 750/1 10 1-WA 50X12 85-30	77115-7263
800	1	5	1	3	PSA 513 800/1 5,0 1-WA 50X12 85-30	77115-7343
800	1	10	1	3	PSA 513 800/1 10 1-WA 50X12 85-30	77115-7363
1000	1	5	1	3	PSA 513 1000/1 5,0 1-WA 50X12 85-30	77115-7443
1000	1	10	1	3	PSA 513 1000/1 10 1-WA 50X12 85-30	77115-7463
1200	1	10	1	3	PSA 513 1200/1 10 1-WA 50X12 85-30	77115-7563
1250	1	10	1	3	PSA 513 1250/1 10 1-WA 50X12 85-30	77115-7663



77119-1942

PSA 613 window-type current transformer

Features:

- Primary busbar 60 x 10 mm, accuracy class 0.5

Primary current	Secondary current	VA	Accuracy class	PU	Product designation	Order no.
400	5	5	0,5	3	PSA 613 400/5 5,0 0,5-WA 60X10 85-30	77119-1942
400	5	10	0,5	3	PSA 613 400/5 10 0,5-WA 60X10 85-30	77119-1962
500	5	5	0,5	3	PSA 613 500/5 5,0 0,5-WA 60X10 85-30	77119-2042
500	5	10	0,5	3	PSA 613 500/5 10 0,5-WA 60X10 85-30	77119-2062
600	5	5	0,5	3	PSA 613 600/5 5,0 0,5-WA 60X10 85-30	77119-2142
600	5	10	0,5	3	PSA 613 600/5 10 0,5-WA 60X10 85-30	77119-2162
750	5	5	0,5	3	PSA 613 750/5 5,0 0,5-WA 60X10 85-30	77119-2242
750	5	10	0,5	3	PSA 613 750/5 10 0,5-WA 60X10 85-30	77119-2262
800	5	5	0,5	3	PSA 613 800/5 5,0 0,5-WA 60X10 85-30	77119-2342
800	5	10	0,5	3	PSA 613 800/5 10 0,5-WA 60X10 85-30	77119-2362
1000	5	5	0,5	3	PSA 613 1000/5 5,0 0,5-WA 60X10 85-30	77119-2442
1000	5	10	0,5	3	PSA 613 1000/5 10 0,5-WA 60X10 85-30	77119-2462
1200	5	5	0,5	3	PSA 613 1200/5 5,0 0,5-WA 60X10 85-30	77119-2542
1200	5	10	0,5	3	PSA 613 1200/5 10 0,5-WA 60X10 85-30	77119-2562
1250	5	5	0,5	3	PSA 613 1250/5 5,0 0,5-WA 60X10 85-30	77119-2642
1250	5	10	0,5	3	PSA 613 1250/5 10 0,5-WA 60X10 85-30	77119-2662
1500	5	5	0,5	3	PSA 613 1500/5 5,0 0,5-WA 60X10 85-30	77119-2742
1500	5	10	0,5	3	PSA 613 1500/5 10 0,5-WA 60X10 85-30	77119-2762
1600	5	5	0,5	3	PSA 613 1600/5 5,0 0,5-WA 60X10 85-30	77119-2842
1600	5	10	0,5	3	PSA 613 1600/5 10 0,5-WA 60X10 85-30	77119-2862
400	1	5	0,5	3	PSA 613 400/1 5 0,5-WA 60X10 85-30	77119-6942
500	1	5	0,5	3	PSA 613 500/1 5,0 0,5-WA 60X10 85-30	77119-7042
600	1	5	0,5	3	PSA 613 600/1 5,0 0,5-WA 60X10 85-30	77119-7142
750	1	5	0,5	3	PSA 613 750/1 5,0 0,5-WA 60X10 85-30	77119-7242
800	1	5	0,5	3	PSA 613 800/1 5,0 0,5-WA 60X10 85-30	77119-7342
1000	1	5	0,5	3	PSA 613 1000/1 5,0 0,5-WA 60X10 85-30	77119-7442
1200	1	5	0,5	3	PSA 613 1200/1 5 0,5-WA 60X10 85-30	77119-7542
1250	1	5	0,5	3	PSA 613 1250/1 5,0 0,5-WA 60X10 85-30	77119-7642
1500	1	5	0,5	3	PSA 613 1500/1 5,0 0,5-WA 60X10 85-30	77119-7742
1600	1	5	0,5	3	PSA 613 1600/1 5 0,5-WA 60X10 85-30	77119-7842

Window-type current transformers

► Technical data, page 324



77119-2773

PSA 613 window-type current transformer

Features:

- Primary busbar 60 x 10 mm, accuracy class 1

Primary current	Secondary current	VA	Accuracy class	PU	Product designation	Order no.
400	5	5	1	3	PSA 613 400/5 5,0 1-WA 60X10 85-30	77119-1943
400	5	10	1	3	PSA 613 400/5 10 1-WA 60X10 85-30	77119-1963
400	5	15	1	3	PSA 613 400/5 15 1-WA 60X10 85-30	77119-1973
500	5	5	1	3	PSA 613 500/5 5,0 1-WA 60X10 85-30	77119-2043
500	5	10	1	3	PSA 613 500/5 10 1-WA 60X10 85-30	77119-2063
500	5	15	1	3	PSA 613 500/5 15 1-WA 60X10 85-30	77119-2073
600	5	5	1	3	PSA 613 600/5 5,0 1-WA 60X10 85-30	77119-2143
600	5	10	1	3	PSA 613 600/5 10 1-WA 60X10 85-30	77119-2163
600	5	15	1	3	PSA 613 600/5 15 1-WA 60X10 85-30	77119-2173
750	5	10	1	3	PSA 613 750/5 10 1-WA 60X10 85-30	77119-2263
750	5	15	1	3	PSA 613 650/5 15 1-WA 60X10 85-30	77119-2273
800	5	5	1	3	PSA 613 800/5 5,0 1-WA 60X10 85-30	77119-2343
800	5	10	1	3	PSA 613 800/5 10 1-WA 60X10 85-30	77119-2363
800	5	15	1	3	PSA 613 800/5 15 1-WA 60X10 85-30	77119-2373
1000	5	5	1	3	PSA 613 1000/5 5,0 1-WA 60X10 85-30	77119-2443
1000	5	10	1	3	PSA 613 1000/5 10 1-WA 60X10 85-30	77119-2463
1000	5	15	1	3	PSA 613 1000/5 15 1-WA 60X10 85-30	77119-2473
1200	5	5	1	3	PSA 613 1200/5 5,0 1-WA 60X10 85-30	77119-2543
1200	5	10	1	3	PSA 613 1200/5 10 1-WA 60X10 85-30	77119-2563
1200	5	15	1	3	PSA 613 1200/5 15 1-WA 60X10 85-30	77119-2573
1250	5	5	1	3	PSA 613 1250/5 5,0 1-WA 60X10 85-30	77119-2643
1250	5	10	1	3	PSA 613 1250/5 10 1-WA 60X10 85-30	77119-2663
1250	5	15	1	3	PSA 613 1250/5 15 1-WA 60X10 85-30	77119-2673
1500	5	5	1	3	PSA 613 1500/5 5,0 1-WA 60X10 85-30	77119-2743
1500	5	10	1	3	PSA 613 1500/5 10 1-WA 60X10 85-30	77119-2763
1500	5	15	1	3	PSA 613 1500/5 15 1-WA 60X10 85-30	77119-2773
1600	5	5	1	3	PSA 613 1600/5 5,0 1-WA 60X10 85-30	77119-2843
1600	5	10	1	3	PSA 613 1600/5 10 1-WA 60X10 85-30	77119-2863
1600	5	15	1	3	PSA 613 1600/5 15 1-WA 60X10 85-30	77119-2873
400	1	10	1	3	PSA 613 400/1 10 1-WA 60X10 85-30	77119-6963
500	1	10	1	3	PSA 613 500/1 10 1-WA 60X10 85-30	77119-7063
600	1	10	1	3	PSA 613 600/1 10 1-WA 60X10 85-30	77119-7163
750	1	10	1	3	PSA 613 750/1 10 1-WA 60X10 85-30	77119-7263
800	1	10	1	3	PSA 613 800/1 10 1-WA 60X10 85-30	77119-7363
1000	1	10	1	3	PSA 613 1000/1 10 1-WA 60X10 85-30	77119-7463
1200	1	10	1	3	PSA 613 1200/1 10 1-WA 60X10 85-30	77119-7563
1250	1	10	1	3	PSA 613 1250/1 10 1-WA 60X10 85-30	77119-7663
1500	1	10	1	3	PSA 613 1500/1 10 1-WA 60X10 85-30	77119-7763
1600	1	10	1	3	PSA 613 1600/1 10 1-WA 60X10 85-30	77119-7863

Measurement and Communication



77121-1942

PSA 633 window-type current transformer

Features:

- Primary busbar 60 x 30 mm, accuracy class 0.5

Primary current	Secondary current	VA	Accuracy class	PU	Product designation	Order no.
800	5	10	0,5	3	PSA 633 800/5 10 0,5-WA 60X30 90-30	77121-2362
1000	5	10	0,5	3	PSA 633 1000/5 10 0,5-WA 60X30 90-30	77121-2462
1200	5	10	0,5	3	PSA 633 1200/5 10 0,5-WA 60X30 90-30	77121-2562
1250	5	10	0,5	3	PSA 633 1250/5 10 0,5-WA 60X30 90-30	77121-2662
1500	5	10	0,5	3	PSA 633 1500/5 10 0,5-WA 60X30 90-30	77121-2762
1600	5	10	0,5	3	PSA 633 1600/5 10 0,5-WA 60X30 90-30	77121-2862
800	1	10	0,5	3	PSA 633 800/1 10 0,5-WA 60X30 90-30	77121-7362
1000	1	10	0,5	3	PSA 633 1000/1 10 0,5-WA 60X30 90-30	77121-7462
1200	1	10	0,5	3	PSA 633 1200/1 10 0,5-WA 60X30 90-30	77121-7562
1250	1	10	0,5	3	PSA 633 1250/1 10 0,5-WA 60X30 90-30	77121-7662
1500	1	10	0,5	3	PSA 633 1500/1 10 0,5-WA 60X30 90-30	77121-7762

Window-type current transformers

► Technical data, page 324



77121-1942

PSA 633 window-type current transformer

Features:

- Primary busbar 60 x 30 mm, accuracy class 0.5

Primary current	Secondary current	VA	Accuracy class	PU	Product designation	Order no.
1600	1	10	0,5	3	PSA 633 1600/1 10 0,5-WA 60X30 90-30	77121-7862



77121-2473

PSA 633 window-type current transformer

Features:

- Primary busbar 60 x 30 mm, accuracy class 1

Primary current	Secondary current	VA	Accuracy class	PU	Product designation	Order no.
800	5	10	1	3	PSA 633 800/5 10 1-WA 60X30 90-30	77121-2363
800	5	15	1	3	PSA 633 800/5 15 1-WA 60X30 90-30	77121-2373
1000	5	10	1	3	PSA 633 1000/5 10 1-WA 60X30 90-30	77121-2463
1250	5	15	1	3	PSA 633 1250/5 15 1-WA 60X30 90-30	77121-2673
1000	5	15	1	3	PSA 633 1000/5 15 1-WA 60X30 90-30	77121-2473
1200	5	10	1	3	PSA 633 1200/5 10 1-WA 60X30 90-30	77121-2563
1200	5	15	1	3	PSA 633 1200/5 15 1-WA 60X30 90-30	77121-2573
1250	5	10	1	3	PSA 633 1250/5 10 1-WA 60X30 90-30	77121-2663
1500	5	10	1	3	PSA 633 1500/5 10 1-WA 60X30 90-30	77121-2763
1500	5	15	1	3	PSA 633 1500/5 15 1-WA 60X30 90-30	77121-2773
1600	5	10	1	3	PSA 633 1600/5 10 1-WA 60X30 90-30	77121-2863
1600	5	15	1	3	PSA 633 1600/5 15 1-WA 60X30 90-30	77121-2873
800	1	10	1	3	PSA 633 800/1 10 1-WA 60X30 90-30	77121-7363
800	1	15	1	3	PSA 633 800/1 15 1-WA 60X30 90-30	77121-7373
1000	1	10	1	3	PSA 633 1000/1 10 1-WA 60X30 90-30	77121-7463
1000	1	15	1	3	PSA 633 1000/1 15 1-WA 60X30 90-30	77121-7473
1200	1	10	1	3	PSA 633 1200/1 10 1-WA 60X30 90-30	77121-7563
1200	1	15	1	3	PSA 633 1200/1 15 1-WA 60X30 90-30	77121-7573
1250	1	10	1	3	PSA 633 1250/1 10 1-WA 60X30 90-30	77121-7663
1250	1	15	1	3	PSA 633 1250/1 15 1-WA 60X30 90-30	77121-7673
1500	1	10	1	3	PSA 633 1500/1 10 1-WA 60X30 90-30	77121-7763
1500	1	15	1	3	PSA 633 1500/1 15 1-WA 60X30 90-30	77121-7773
1600	1	10	1	3	PSA 633 1600/1 10 1-WA 60X30 90-30	77121-7863
1600	1	15	1	3	PSA 633 1600/1 15 1-WA 60X30 90-30	77121-7873



77124-1942

PSA 814 window-type current transformer

Features:

- Primary busbar 80 x 10 (60 x 30) mm, accuracy class 0.5

Primary current	Secondary current	VA	Accuracy class	PU	Product designation	Order no.
400	5	5	0,5	3	PSA 814 400/5 5,0 0,5-WA 80X10 100-40	77124-1942
500	5	5	0,5	3	PSA 814 500/5 5,0 0,5-WA 80X10 100-40	77124-2042
500	5	10	0,5	3	PSA 814 500/5 10 0,5-WA 80X10 100-40	77124-2062
600	5	10	0,5	3	PSA 814 600/5 10 0,5-WA 80X10 100-40	77124-2162
600	5	15	0,5	3	PSA 814 600/5 15 0,5-WA 80X10 100-40	77124-2172
800	5	10	0,5	3	PSA 814 800/5 10 0,5-WA 80X10 100-40	77124-2362
800	5	15	0,5	3	PSA 814 800/5 15 0,5-WA 80X10 100-40	77124-2372
1000	5	10	0,5	3	PSA 814 1000/5 10 0,5-WA 80X10 100-40	77124-2462
1000	5	15	0,5	3	PSA 814 1000/5 15 0,5-WA 80X10 100-40	77124-2472
1200	5	10	0,5	3	PSA 814 1200/5 10 0,5-WA 80X10 100-40	77124-2562
1200	5	15	0,5	3	PSA 814 1200/5 15 0,5-WA 80X10 100-40	77124-2572
1250	5	10	0,5	3	PSA 814 1250/5 10 0,5-WA 80X10 100-40	77124-2662
1250	5	15	0,5	3	PSA 814 1250/5 15 0,5-WA 80X10 100-40	77124-2672
1500	5	10	0,5	3	PSA 814 1500/5 10 0,5-WA 80X10 100-40	77124-2762

Window-type current transformers

► Technical data, page 325



77124-1942

PSA 814 window-type current transformer

Features:

- Primary busbar 80 x 10 (60 x 30) mm, accuracy class 0.5

Primary current	Secondary current	VA	Accuracy class	PU	Product designation	Order no.
1500	5	15	0,5	3	PSA 814 1500/5 15 0,5-WA 80X10 100-40	77124-2772
1600	5	10	0,5	3	PSA 814 1600/5 10 0,5-WA 80X10 100-40	77124-2862
1600	5	15	0,5	3	PSA 814 1600/5 15 0,5-WA 80X10 100-40	77124-2872
2000	5	10	0,5	3	PSA 814 2000/5 10 0,5-WA 80X10 100-40	77124-2962
2000	5	15	0,5	3	PSA 814 2000/5 15 0,5-WA 80X10 100-40	77124-2972
400	1	10	0,5	3	PSA 814 400/1 10 0,5-WA 80X10 100-40	77124-6962
500	1	10	0,5	3	PSA 814 500/1 10 0,5-WA 80X10 100-40	77124-7062
600	1	10	0,5	3	PSA 814 600/1 10 0,5-WA 80X10 100-40	77124-7162
800	1	10	0,5	3	PSA 814 800/1 10 0,5-WA 80X10 100-40	77124-7362
1000	1	10	0,5	3	PSA 814 1000/1 10 0,5-WA 80X10 100-40	77124-7462
1200	1	10	0,5	3	PSA 814 1200/1 10 0,5-WA 80X10 100-40	77124-7562
1250	1	10	0,5	3	PSA 814 1250/1 10 0,5-WA 80X10 100-40	77124-7662
1500	1	10	0,5	3	PSA 814 1500/1 10 0,5-WA 80X10 100-40	77124-7762
1600	1	10	0,5	3	PSA 814 1600/1 10 0,5-WA 80X10 100-40	77124-7862
2000	1	10	0,5	3	PSA 814 2000/1 10 0,5-WA 80X10 100-40	77124-7962



77124-2963

PSA 814 window-type current transformer

Features:

- Primary busbar 80 x 10 (60 x 30) mm, accuracy class 1

Primary current	Secondary current	VA	Accuracy class	PU	Product designation	Order no.
400	5	5	1	3	PSA 814 400/5 5,0 1-WA 80X10 100-40	77124-1943
400	5	10	1	3	PSA 814 400/5 10 1-WA 80X10 100-40	77124-1963
500	5	5	1	3	PSA 814 500/5 5,0 1-WA 80X10 100-40	77124-2043
500	5	10	1	3	PSA 814 500/5 10 1-WA 80X10 100-40	77124-2063
600	5	10	1	3	PSA 814 600/5 10 1-WA 80X10 100-40	77124-2163
600	5	15	1	3	PSA 814 600/5 15 1-WA 80X10 100-40	77124-2173
800	5	10	1	3	PSA 814 800/5 10 1-WA 80X10 100-40	77124-2363
800	5	15	1	3	PSA 814 800/5 15 1-WA 80X10 100-40	77124-2373
1000	5	10	1	3	PSA 814 1000/5 10 1-WA 80X10 100-40	77124-2463
1000	5	15	1	3	PSA 814 1000/5 15 1-WA 80X10 100-40	77124-2473
1200	5	10	1	3	PSA 814 1200/5 10 1-WA 80X10 100-40	77124-2563
1200	5	15	1	3	PSA 814 1200/5 15 1-WA 80X10 100-40	77124-2573
1250	5	10	1	3	PSA 814 1250/5 10 1-WA 80X10 100-40	77124-2663
1250	5	15	1	3	PSA 814 1250/5 15 1-WA 80X10 100-40	77124-2673
1500	5	10	1	3	PSA 814 1500/5 10 1-WA 80X10 100-40	77124-2763
1500	5	15	1	3	PSA 814 1500/5 15 1-WA 80X10 100-40	77124-2773
1600	5	10	1	3	PSA 814 1600/5 10 1-WA 80X10 100-40	77124-2863
2000	5	10	1	3	PSA 814 2000/5 10 1-WA 80X10 100-40	77124-2963
400	1	10	1	3	PSA 814 400/1 10 1-WA 80X10 100-40	77124-6963
500	1	10	1	3	PSA 814 500/1 10 1-WA 80X10 100-40	77124-7063
600	1	10	1	3	PSA 814 600/1 10 1-WA 80X10 100-40	77124-7163
800	1	10	1	3	PSA 814 800/1 10 1-WA 80X10 100-40	77124-7363
1000	1	10	1	3	PSA 814 1000/1 10 1-WA 80X10 100-40	77124-7463
1200	1	10	1	3	PSA 814 1200/1 10 1-WA 80X10 100-40	77124-7563
1250	1	10	1	3	PSA 814 1250/1 10 1-WA 80X10 100-40	77124-7663
1500	1	10	1	3	PSA 814 1500/1 10 1-WA 80X10 100-40	77124-7763
1600	1	10	1	3	PSA 814 1600/1 10 1-WA 80X10 100-40	77124-7863
2000	1	10	1	3	PSA 814 2000/1 10 1-WA 80X10 100-40	77124-7963

Window-type current transformers

► Technical data, page 325



77125-2572

PSA 1034 window-type current transformer

Features:

- Primary busbar 2 x 100 x 10 (80 x 50) mm, accuracy class 0.5

Primary current	Secondary current	VA	Accuracy class	PU	Product designation	Order no.
400	5	10	0,5	1	PSA 1034 400/5 10 0,5-WA 2X100X10 135-40	77125-1962
500	5	10	0,5	1	PSA 1034 500/5 10 0,5-WA 2X100X10 135-40	77125-2062
600	5	10	0,5	1	PSA 1034 600/5 10 0,5-WA 2X100X10 135-40	77125-2162
800	5	10	0,5	1	PSA 1034 800/5 10 0,5-WA 2X100X10 135-40	77125-2362
1000	5	10	0,5	1	PSA 1034 1000/5 10 0,5-WA2X100X10 135-40	77125-2462
1000	5	15	0,5	1	PSA 1034 1000/5 15 0,5-WA2X100X10 135-40	77125-2472
1200	5	10	0,5	1	PSA 1034 1200/5 10 0,5-WA2X100X10 135-40	77125-2562
1200	5	15	0,5	1	PSA 1034 1200/5 15 0,5-WA 2X100X10 135-40	77125-2572
1250	5	10	0,5	1	PSA 1034 1250/5 10 0,5-WA2X100X10 135-40	77125-2662
1250	5	15	0,5	1	PSA 1034 1250/5 15 0,5-WA2X100X10 135-40	77125-2672
1500	5	5	0,5	1	PSA 1034 1500/5 5 0,5-WA 2X100X10 135-40	77125-2742
1500	5	10	0,5	1	PSA 1034 1500/5 10 0,5-WA2X100X10 135-40	77125-2762
1500	5	15	0,5	1	PSA 1034 1500/5 15 0,5-WA2X100X10 135-40	77125-2772
1250	1	15	0,5	1	PSA 1034 1250/1 15 0,5-WA2X100X10 135-40	77125-7672
1500	1	10	0,5	1	PSA 1034 1500/1 10 0,5-WA2X100X10 135-40	77125-7762
1600	5	10	0,5	1	PSA 1034 1600/5 10 0,5-WA2X100X10 135-40	77125-2862
1600	5	15	0,5	1	PSA 1034 1600/5 15 0,5-WA2X100X10 135-40	77125-2872
2000	5	10	0,5	1	PSA 1034 2000/5 10 0,5-WA2X100X10 135-40	77125-2962
2000	5	15	0,5	1	PSA 1034 2000/5 15 0,5-WA2X100X10 135-40	77125-2972
2500	5	10	0,5	1	PSA 1034 2500/5 10 0,5-WA2X100X10 135-40	77125-3162
2500	5	15	0,5	1	PSA 1034 2500/5 15 0,5-WA2X100X10 135-40	77125-3172
3000	5	10	0,5	1	PSA 1034 3000/5 10 0,5-WA2X100X10 135-40	77125-3262
3000	5	15	0,5	1	PSA 1034 3000/5 15 0,5-WA2X100X10 135-40	77125-3272
4000	5	10	0,5	1	PSA 1034 4000/5 10 0,5-WA 2X100X10 135-40	77125-3362
4000	5	15	0,5	1	PSA 1034 4000/5 15 0,5-WA 2X100X10 135-40	77125-3372
400	1	10	0,5	1	PSA 1034 400/1 10 0,5-WA 2X100X10 135-40	77125-6962
500	1	10	0,5	1	PSA 1034 500/1 10 0,5-WA 2X100X10 135-40	77125-7062
600	1	10	0,5	1	PSA 1034 600/1 10 0,5-WA 2X100X10 135-40	77125-7162
800	1	10	0,5	1	PSA 1034 800/1 10 0,5-WA 2X100X10 135-40	77125-7362
1000	1	10	0,5	1	PSA 1034 1000/1 10 0,5-WA2X100X10 135-40	77125-7462
1200	1	10	0,5	1	PSA 1034 1200/1 10 0,5-WA 2X100X10 135-40	77125-7562
1200	1	15	0,5	1	PSA 1034 1200/1 15 0,5-WA 2X100X10 135-40	77125-7572
1250	1	10	0,5	1	PSA 1034 1250/1 10 0,5-WA2X100X10 135-40	77125-7662
1500	1	15	0,5	1	PSA 1034 1500/1 15 0,5-WA2X100X10 135-40	77125-7772
1600	1	10	0,5	1	PSA 1034 1600/1 10 0,5-WA 2X100X10 135-40	77125-7862
1600	1	15	0,5	1	PSA 1034 1600/1 15 0,5-WA 2X100X10 135-40	77125-7872
2000	1	10	0,5	1	PSA 1034 2000/1 10 0,5-WA2x100x10 135-40	77125-7962
2000	1	15	0,5	1	PSA 1034 2000/1 15 0,5-WA2X100X10 135-40	77125-7972
2500	1	10	0,5	1	PSA 1034 2500/1 10 0,5-WA2X100X10 135-40	77125-8162
2500	1	15	0,5	1	PSA 1034 2500/1 15 0,5-WA2X100X10 135-40	77125-8172
3000	1	10	0,5	1	PSA 1034 3000/1 10 0,5-WA 2X100X10 135-40	77125-8262
3000	1	15	0,5	1	PSA 1034 3000/1 15 0,5-WA2X100X10 135-40	77125-8272
4000	1	10	0,5	1	PSA 1034 4000/1 10 0,5-WA 2X100X10 135-40	77125-8362
4000	1	15	0,5	1	PSA 1034 4000/1 15 0,5-WA2X100X10 135-40	77125-8372



77125-2573

PSA 1034 window-type current transformer

Features:

- Primary busbar 2 x 100 x 10 (80 x 50) mm, accuracy class 1

Primary current	Secondary current	VA	Accuracy class	PU	Product designation	Order no.
400	5	10	1	1	PSA 1034 400/5 10 1-WA 2X100X10 135-40	77125-1963
500	5	10	1	1	PSA 1034 500/5 10 1-WA 2X100X10 135-40	77125-2063
600	5	10	1	1	PSA 1034 600/5 10 1-WA 2X100X10 135-40	77125-2163
1000	5	30	1	1	PSA 1034 1000/5 30 1-WA 2X100X10 135-40	77125-2483
1200	5	10	1	1	PSA 1034 1200/5 10 1-WA 2X100X10 135-40	77125-2563
1200	5	15	1	1	PSA 1034 1200/5 15 1-WA 2X100X10 135-40	77125-2573

Window-type current transformers

► Technical data, page 325



77125-2573

PSA 1034 window-type current transformer

Features:

- Primary busbar 2 x 100 x 10 (80 x 50) mm, accuracy class 1

Primary current	Secondary current	VA	Accuracy class	PU	Product designation	Order no.
1200	5	30	1	1	PSA 1034 1200/5 30 1-WA 2X100X10 135-40	77125-2583
1250	5	30	1	1	PSA 1034 1250/5 30 1-WA 2X100X10 135-40	77125-2683
1500	5	30	1	1	PSA 1034 1500/5 30 1-WA 2X100X10 135-40	77125-2783
1600	5	30	1	1	PSA 1034 1600/5 30 1-WA 2X100X10 135-40	77125-2883
2000	5	30	1	1	PSA 1034 2000/5 30 1-WA 2X100X10 135-40	77125-2983
2500	5	30	1	1	PSA 1034 2500/5 30 1-WA 2X100X10 135-40	77125-3183
3000	5	30	1	1	PSA 1034 3000/5 30 1-WA 2X100X10 135-40	77125-3283
4000	5	10	1	1	PSA 1034 4000/5 10 1-WA 2X100X10 135-40	77125-3363
4000	5	15	1	1	PSA 1034 4000/5 15 1-WA 2X100X10 135-40	77125-3373
400	1	10	1	1	PSA 1034 400/1 10 1-WA 2X100X10 135-40	77125-6963
500	1	10	1	1	PSA 1034 500/1 10 1-WA 2X100X10 135-40	77125-7063
600	1	10	1	1	PSA 1034 600/1 10 1-WA 2X100X10 135-40	77125-7163
800	1	10	1	1	PSA 1034 800/1 10 1-WA 2X100X10 135-40	77125-7363
800	1	15	1	1	PSA 1034 800/1 15 1-WA 2X100X10 135-40	77125-7373
1000	1	10	1	1	PSA 1034 1000/1 10 1-WA 2X100X10 135-40	77125-7463
1000	1	15	1	1	PSA 1034 1000/1 15 1-WA 2X100X10 135-40	77125-7473
1200	1	10	1	1	PSA 1034 1200/1 10 1-WA 2X100X10 135-40	77125-7563
1200	1	15	1	1	PSA 1034 1200/1 15 1-WA 2X100X10 135-40	77125-7573
1250	1	10	1	1	PSA 1034 1250/1 10 1-WA 2X100X10 135-40	77125-7663
1250	1	15	1	1	PSA 1034 1250/1 15 1-WA 2X100X10 135-40	77125-7673
1500	1	10	1	1	PSA 1034 1500/1 10 1-WA 2X100X10 135-40	77125-7763
1500	1	15	1	1	PSA 1034 1500/1 15 1-WA 2X100X10 135-40	77125-7773
1600	1	10	1	1	PSA 1034 1600/1 10 1-WA 2X100X10 135-40	77125-7863
1600	1	15	1	1	PSA 1034 1600/1 15 1-WA 2X100X10 135-40	77125-7873
2000	1	10	1	1	PSA 1034 2000/1 10 1-WA 2X100X10 135-40	77125-7963
2000	1	15	1	1	PSA 1034 2000/1 15 1-WA 2X100X10 135-40	77125-7973
2500	1	10	1	1	PSA 1034 2500/1 10 1-WA 2X100X10 135-40	77125-8163
2500	1	15	1	1	PSA 1034 2500/1 15 1-WA 2X100X10 135-40	77125-8173
3000	1	10	1	1	PSA 1034 3000/1 10 1-WA 2X100X10 135-40	77125-8263
3000	1	15	1	1	PSA 1034 3000/1 15 1-WA 2X100X10 135-40	77125-8273
4000	1	10	1	1	PSA 1034 4000/1 10 1-WA 2X100X10 135-40	77125-8363
4000	1	15	1	1	PSA 1034 4000/1 15 1-WA 2X100X10 135-40	77125-8373



77127-2972

PSA 1254 window-type current transformer

Features:

- Primary busbar 3 x 120 x 10 mm, accuracy class 0.5

Primary current	Secondary current	VA	Accuracy class	PU	Product designation	Order no.
1000	5	10	0,5	1	PSA 1254 1000/5 10 0,5-WA 3X120X10 160-40	77127-2462
1200	5	10	0,5	1	PSA 1254 1200/5 10 0,5-WA 3X120X10 160-40	77127-2562
1250	5	10	0,5	1	PSA 1254 1250/5 10 0,5-WA 3X120X10 160-40	77127-2662
1500	5	10	0,5	1	PSA 1254 1500/5 10 0,5-WA 3X120X10 160-40	77127-2762
1500	5	10	0,5	1	PSA 1254 1500/5 10 0,5-WA 3X120X10 160-40	77127-2762
1600	5	10	0,5	1	PSA 1254 1600/5 10 0,5-WA 3X120X10 160-40	77127-2862
2000	5	10	0,5	1	PSA 1254 2000/2 10 0,5 - WA 3x120x10 160-40	77127-2962
2500	5	10	0,5	1	PSA 1254 2500/2 10 0,5 - WA 3x120x10 160-40	77127-3162
3000	5	10	0,5	1	PSA 1254 3000/5 10 0,5-WA 3X120X10 160-4	77127-3262
4000	5	10	0,5	1	PSA 1254 4000/2 10 0,5 - WA 3x120x10 160-40	77127-3362
5000	5	10	0,5	1	PSA 1254 5000/2 10 0,5 - WA 3x120x10 160-40	77127-3462
1000	1	10	0,5	1	PSA 1254 1000/1 10 0,5-WA3X120X10 160-40	77127-7462
1200	1	10	0,5	1	PSA 1254 1200/1 10 0,5-WA3X120X10 160-40	77127-7562
1250	1	10	0,5	1	PSA 1254 1250/1 10 0,5-WA3X120X10 160-40	77127-7662
1500	1	10	0,5	1	PSA 1254 1500/1 10 0,5-WA3X120X10 160-40	77127-7762
1600	1	10	0,5	1	PSA 1254 1600/1 10 0,5-WA3X120X10 160-40	77127-7862
2000	1	10	0,5	1	PSA 1254 2000/1 10 0,5-WA3X120X10 160-40	77127-7962
2500	1	10	0,5	1	PSA 1254 2500/1 10 0,5-WA 3X120X10 160-4	77127-8162

Window-type current transformers

► Technical data, page 325



77127-2972

PSA 1254 window-type current transformer

Features:

- Primary busbar 3 x 120 x 10 mm, accuracy class 0.5

Primary current	Secondary current	VA	Accuracy class	PU	Product designation	Order no.
3000	1	10	0,5	1	PSA 1254 3000/1 10 0,5-WA3X120X10 160-40	77127-8262
4000	1	10	0,5	1	PSA 1254 4000/1 10 0,5-WA 3X120X10 160-40	77127-8362
5000	1	10	0,5	1	PSA 1274 5000/2 15 1 - WA 4x120x10 160-40	77127-8462



77127-2973

PSA 1254 window-type current transformer

Features:

- Primary busbar 3 x 120 x 10 mm, accuracy class 1

Primary current	Secondary current	VA	Accuracy class	PU	Product designation	Order no.
800	5	15	1	1	PSA 1254 800/5 15 1-WA 3X120X10 160-40	77127-2373
1000	5	15	1	1	PSA 1254 1000/5 15 1-WA 3X120X10 160-40	77127-2473
1200	5	15	1	1	PSA 1254 1200/5 15 1-WA 3X120X10 160-40	77127-2573
1250	5	15	1	1	PSA 1254 1250/5 15 1-WA 3X120X10 160-40	77127-2673
1500	5	15	1	1	PSA 1254 1500/5 15 1-WA 3X120X10 160-40	77127-2773
1600	5	15	1	1	PSA 1254 1600/5 15 1-WA 3X120X10 160-40	77127-2873
2000	5	15	1	1	PSA 1254 2000/5 15 1-WA 3X120X10 160-40	77127-2973
2500	5	15	1	1	PSA 1254 2500/5 15 1-WA 3X120X10 160-40	77127-3173
3000	5	15	1	1	PSA 1254 3000/5 15 1-WA 3X120X10 160-40	77127-3273
4000	5	15	1	1	PSA 1254 4000/5 15 1-WA 3X120X10 160-40	77127-3373
800	1	15	1	1	PSA 1254 800/1 15 1-WA 3X120X10 160-40	77127-7373
1000	1	15	1	1	PSA 1254 1000/1 15 1-WA 3X120X10 160-40	77127-7473
1200	1	15	1	1	PSA 1254 1200/1 15 1-WA3X120X10 160-40	77127-7573
1250	1	15	1	1	PSA 1254 1250/1 15 1-WA3X120X10 160-40	77127-7673
1500	1	15	1	1	PSA 1254 1500/1 15 1-WA3X120X10 160-40	77127-7773
1600	1	15	1	1	PSA 1254 1600/1 15 1-WA3X120X10 160-40	77127-7873
2000	1	15	1	1	PSA 1254 2000/1 15 1-WA3X120X10 160-40	77127-7973
2500	1	15	1	1	PSA 1254 2500/1 15 1-WA 3X120X10 160-40	77127-8173
3000	1	15	1	1	PSA 1254 3000/1 15 1-WA 3X120X10 160-40	77127-8273
4000	1	15	1	1	PSA 1254 4000/1 15 1-WA 3X120X10 160-4	77127-8373
5000	1	15	1	1	PSA 1254 5000/1 15 1-WA 3X120X10 160-40	77127-8473



77128-2862

PSA 1274 window-type current transformer

Features:

- Primary busbar 4 x 120 x 10 mm, accuracy class 0.5

Primary current	Secondary current	VA	Accuracy class	PU	Product designation	Order no.
1600	5	10	0,5	1	PSA 1274 1600/5 10 0,5-WA4X120X10 160-40	77128-2862
2000	5	10	0,5	1	PSA 1274 2000/5 10 0,5-WA3X120X10 160-40	77128-2962
2500	5	10	0,5	1	PSA1274 2500/5 10 0,5-WA 4x120x10 160-40	77128-3162
3000	5	10	0,5	1	PSA 1274 3000/5 10 0,5-WA4X120X10 160-40	77128-3262
4000	5	10	0,5	1	PSA 1274 4000/5 10 0,5-WA4X120X10 160-40	77128-3362
1600	1	10	0,5	1	PSA 1274 1600/1 10 0,5-WA 4X120X10 160-4	77128-7862
2000	1	10	0,5	1	PSA 1274 2000/1 10 0,5-WA 4X120X10 160-4	77128-7962
2500	1	10	0,5	1	PSA 1274 2500/1 10 0,5-WA 4X120X10 160-4	77128-8162
3000	1	10	0,5	1	PSA 1274 3000/1 10 0,5-WA 4X120X10 160-40	77128-8262
4000	1	10	0,5	1	PSA 1274 4000/1 10 0,5-WA 4X120X10 160-40	77128-8362

Window-type current transformers

► Technical data, page 325



77128-2863

PSA 1274 window-type current transformer

Features:

- Primary busbar 4 x 120 x 10 mm, accuracy class 1

Primary current	Secondary current	VA	Accuracy class	PU	Product designation	Order no.
1600	5	15	1	1	PSA 1274 1600/5 15 1-WA 3X120X10 160-40	77128-2873
2000	5	15	1	1	PSA 1274 2000/5 15 1-WA 4X120X10 160-40	77128-2973
2500	5	15	1	1	PSA 1274 2500/5 15 1-WA 4X120X10 160-40	77128-3173
3000	5	15	1	1	PSA 1274 3000/5 15 1-WA 4X120X10 160-40	77128-3273
4000	5	10	1	1	PSA 1274 4000/5 10 1-WA 4X120X10 160-40	77128-3363
4000	5	15	1	1	PSA 1274 4000/5 15 1-WA 4X120X10 160-40	77128-3373
5000	5	15	1	1	PSA 1274 5000/1 15 1-WA 4X120X10 160-40	77128-3473
1600	1	15	1	1	PSA 1274 1600/1 15 1-WA 4X120X10 160-4	77128-7873
2000	1	15	1	1	PSA 1274 2000/1 15 1-WA 4X120X10 160-4	77128-7973
2500	1	15	1	1	PSA 1274 2500/1 15 1-WA 4X120X10 160-4	77128-8173
3000	1	15	1	1	PSA 1274 3000/1 15 1-WA 4X120X10 160-40	77128-8273
4000	1	15	1	1	PSA 1274 4000/1 15 1-WA 4X120X10 160-40	77128-8373
5000	1	15	1	1	PSA 1274 5000/1 15 1-WA 4X120X10 160-40	77128-8473

Tube-type current transformers

► Technical data, page 326



77251-1322

PSR 200 tube-type current transformer

Features:

- Diameter 21 mm², accuracy class 0.5

Primary current	Secondary current	VA	Accuracy class	PU	Product designation	Order no.
100	5	1,5	0,5	3	PSR 200 100/5 1,5 0,5-WR 21 44-30	77251-1322
125	5	1,5	0,5	3	PSR 200 125/5 1,5 0,5-WR 21 44-30	77251-1422
150	5	1,5	0,5	3	PSR 200 150/5 2,5 0,5-WR 21 44-30	77251-1522
200	5	2,5	0,5	3	PSR 200 200/5 2,5 0,5-WR 21 44-30	77251-1632
250	5	5	0,5	3	PSR 200 250/5 5,0 0,5-WR 21 44-30	77251-1742
300	5	5	0,5	3	PSR 200 300/5 5,0 0,5-WR 21 44-30	77251-1842
100	1	1,5	0,5	3	PSR 200 100/1 1,5 0,5-WR 21 44-30	77251-6322
125	1	1,5	0,5	3	PSR 200 125/1 1,5 0,5-WR 21 44-30	77251-6422
150	1	1,5	0,5	3	PSR 200 150/1 1,5 0,5-WR 21 44-30	77251-6522
200	1	2,5	0,5	3	PSR 200 200/1 2,5 0,5-WR 21 44-30	77251-6632
250	1	5	0,5	3	PSR 200 250/1 5,0 0,5WR 21 44-30	77251-6742
300	1	5	0,5	3	PSR 200 300/1 5,0 0,5-WR 21 44-30	77251-6842



77251-0913

PSR 200 tube-type current transformer

Features:

- Diameter 21 mm², accuracy class 1

Primary current	Secondary current	VA	Accuracy class	PU	Product designation	Order no.
50	5	1	1	3	PSR 200 50/5 1,0 1-WR 21 44-30	77251-0913
60	5	1,5	1	3	PSR 200 60/5 1,5 1-WR 21 44-30	77251-1023
75	5	2	1	3	PSR 200 75/5 2,0 1-WR 21 44-30	77251-1193
80	5	1,5	1	3	PSR 200 80/5 1,5 1-WR 21 44-30	77251-1223
80	5	2	1	3	PSR 200 80/5 2,0 1-WR 21 44-30	77251-1293
100	5	2,5	1	3	PSR 200 100/5 2,5 1-WR 21 44-30	77251-1333
125	5	2,5	1	3	PSR 200 125/5 2,5 1-WR 21 44-30	77251-1433
150	5	2,5	1	3	PSR 200 150/5 2,5 1-WR 21 44-30	77251-1533
200	5	5	1	3	PSR 200 200/5 5,0 1-WR 21 44-30	77251-1643
250	5	5	1	3	PSR 200 250/5 5,0 1-WR 21 44-30	77251-1733
250	5	5	1	3	PSR 200 250/5 5,0 1-WR 21 44-30	77251-1743
300	5	5	1	3	PSR 200 300/5 5,0 1-WR 21 44-30	77251-1843
50	1	1	1	3	PSR 200 50/1 1,0 1-WR 21 44-30	77251-5913
60	1	1	1	3	PSR 200 60/1 1,0 1-WR 21 44-30	77251-6013
60	1	1,5	1	3	PSR 200 60/1 1,5 1-WR 21 44-30	77251-6023
75	1	2	1	3	PSR 200 75/1 2,0 1-WR 21 44-30	77251-6193
80	1	2	1	3	PSR 200 80/1 2,0 1-WR 21 44-30	77251-6293
100	1	2,5	1	3	PSR 200 100/1 2,5 1-WR 21 44-30	77251-6333
125	1	2,5	1	3	PSR 200 125/1 2,5 1-WR 21 44-30	77251-6433
150	1	2,5	1	3	PSR 200 150/1 2,5 1-WR 21 44-30	77251-6533
200	1	2,5	1	3	PSR 200 200/1 2,5 1-WR 21 44-30	77251-6633
250	1	5	1	3	PSR 200 250/1 5,0 1-WR 21 44-30	77251-6743
300	1	5	1	3	PSR 200 300/1 5,0 1-WR 21 44-30	77251-6843



77252-1322

PSR 201 tube-type current transformer

Features:

- Diameter 21 mm², accuracy class 0.5

Primary current	Secondary current	VA	Accuracy class	PU	Product designation	Order no.
125	5	1,5	0,5	3	PSR 200.1 125/5 1,5 0,5-WR 21 44-30-S	77252-1422

Tube-type current transformers

► Technical data, page 326



77252-0913

PSR 201 tube-type current transformer

Features:

- Diameter 21 mm², accuracy class 1

Primary current	Secondary current	VA	Accuracy class	PU	Product designation	Order no.
50	5	1	1	3	PSR 200.1 50/5 1,0 1-WR 21 44-30-S	77252-0913
60	5	1,5	1	3	PSR 200.1 60/5 1,5 1-WR 21 44-30-S	77252-1023
75	5	2	1	3	PSR 200.1 75/5 2 1-WR 21 44-30-S	77252-1193
100	5	2,5	1	3	PSR 200.1 100/5 2,5 1-WR 21 44-30-S	77252-1333
125	5	2,5	1	3	PSR 200.1 125/5 2,5 1-WR 21 44-30-S	77252-1433
150	5	2,5	1	3	PSR 200.1 150/5 2,5 1-WR 21 44-30-S	77252-1533
200	5	5	1	3	PSR 200.1 200/5 5,0 1-WR 21 44-30-S	77252-1643
250	5	5	1	3	PSR 200.1 250/5 5,0 1-WR 21 44-30-S	77252-1743
50	1	1	1	3	PSR 200.1 50/1 1,0 1-WR 21 44-30-S	77252-5913
60	1	1,5	1	3	PSR 200.1 60/1 1,5 1-WR 21 44-30-S	77252-6023
75	1	2	1	3	PSR 200.1 75/1 2,0 1-WR 21 44-30-S	77252-6193
100	1	2,5	1	3	PSR 200.1 100/1 2,5 1-WR 21 44-30-S	77252-6333
125	1	2,5	1	3	PSR 200.1 125/1 2,5 1-WR 21 44-30-S	77252-6433
150	1	2,5	1	3	PSR 200.1 150/1 2,5 1-WR 21 44-30-S	77252-6533
250	1	5	1	3	PSR 200.1 250/1 5,0 1-WR 21 44-30-S	77252-6743



77253-1432

PSR 203 tube-type current transformer

Features:

- Diameter 21 mm², accuracy class 0.5

Primary current	Secondary current	VA	Accuracy class	PU	Product designation	Order no.
125	5	2,5	0,5	3	PSR 203 125/5 2,5 0,5-WR 21 50-30	77253-1432
150	5	2,5	0,5	3	PSR 203 150/5 2,5 0,5-WR 21 50-30	77253-1532
200	5	2,5	0,5	3	PSR 203 200/5 2,5 0,5-WR 21 50-30	77253-1632
250	5	2,5	0,5	3	PSR 203 250/5 2,5 0,5-WR 21 50-30	77253-1732
300	5	5	0,5	3	PSR 203 300/5 5,0 0,5-WR 21 50-30	77253-1842
125	1	2,5	0,5	3	PSR 203 125/1 5 0,5-WR 21 50-30	77253-6432
150	1	2,5	0,5	3	PSR 203 150/1 2,5 0,5-WR 21 50-30	77253-6532
200	1	2,5	0,5	3	PSR 203 200/1 2,5 0,5-WR 21 50-30	77253-6632
250	1	2,5	0,5	3	PSR 203 250/1 2,5 0,5-WR 21 50-30	77253-6732
300	1	5	0,5	3	PSR 203 300/1 5,0 0,5-WR 21 50-30	77253-6842



77253-1333

PSR 203 tube-type current transformer

Features:

- Diameter 21 mm², accuracy class 1

Primary current	Secondary current	VA	Accuracy class	PU	Product designation	Order no.
75	5	2,5	1	3	PSR 203 75/5 2,5 1-WR 21 50-30	77253-1133
80	5	2,5	1	3	PSR 203 80/5 2,5 1-WR 21 50-30	77253-1233
100	5	2,5	1	3	PSR 203 100/5 2,5 1-WR 21 50-30	77253-1333
125	5	2,5	1	3	PSR 203 125/5 2,5 1-WR 21 50-30	77253-1433
150	5	5	1	3	PSR 203 150/5 5 1-WR 21 50-30	77253-1543
200	5	5	1	3	PSR 203 200/5 5,0 1-WR 21 50-30	77253-1643
250	5	5	1	3	PSR 203 250/5 5,0 1-WR 21 50-30	77253-1743
300	5	5	1	3	PSR 203 300/5 5,0 1-WR 21 50-30	77253-1843
75	1	2,5	1	3	PSR 203 75/1 2,5 1-WR 21 50-30	77253-6133
80	1	2,5	1	3	PSR 203 80/1 2,5 1-WR 21 50-30	77253-6233
100	1	2,5	1	3	PSR 203 100/1 2,5 1-WR 21 50-30	77253-6333
125	1	2,5	1	3	PSR 203 125/1 2,5 1-WR 21 50-30	77253-6433
150	1	5	1	3	PSR 203 150/1 5,0 1-WR 21 50-30	77253-6543
200	1	5	1	3	PSR 203 200/1 5,0 1-WR 21 50-30	77253-6643
250	1	5	1	3	PSR 203 250/1 5,0 1-WR 21 50-30	77253-6743
300	1	5	1	3	PSR 203 300/1 5,0 1-WR 21 50-30	77253-6843

Tube-type current transformers

► Technical data, page 326



77254-0922

PSR 205 tube-type current transformer

Features:

- Diameter 21 mm², accuracy class 0.5

Primary current	Secondary current	VA	Accuracy class	PU	Product designation	Order no.
60	5	1,5	0,5	3	PSR 205 60/5 1,5 0,5-WR 21 50-50	77254-1022
75	5	1,5	0,5	3	PSR 205 75/5 1,5 0,5-WR 21 50-50	77254-1122
80	5	2,5	0,5	3	PSR 205 80/5 2,5 0,5-WR 21 50-50	77254-1232
100	5	2,5	0,5	3	PSR 205 100/5 2,5 0,5-WR 21 50-50	77254-1332
125	5	5	0,5	3	PSR 205 125/5 5,0 0,5-WR 21 50-50	77254-1442
150	5	5	0,5	3	PSR 205 150/5 5 0,5-WR 21 50-50	77254-1542
200	5	5	0,5	3	PSR 205 200/5 5 0,5-WR 21 50-50	77254-1642
250	5	5	0,5	3	PSR 205 250/5 5 0,5-WR 21 50-50	77254-1742
300	5	5	0,5	3	PSR 205 300/5 5 0,5-WR 21 50-50	77254-1842
50	1	1,5	0,5	3	PSR 205 50/1 1,5 0,5-WR 21 50-50	77254-5922
60	1	1,5	0,5	3	PSR 205 60/1 1,5 0,5-WR 21 50-50	77254-6022
75	1	1,5	0,5	3	PSR 205 75/1 1,5 0,5-WR 21 50-50	77254-6122
80	1	2,5	0,5	3	PSR 205 80/1 2,5 0,5-WR 21 50-50	77254-6232
100	1	2,5	0,5	3	PSR 205 100/1 2,5 0,5-WR 21 50-50	77254-6332
125	1	5	0,5	3	PSR 205 125/1 5 0,5-WR 21 50-50	77254-6442
150	1	5	0,5	3	PSR 205 150/1 5 0,5-WR 21 50-50	77254-6542
200	1	5	0,5	3	PSR 205 200/1 5 0,5-WR 21 50-50	77254-6642
250	1	5	0,5	3	PSR 205 250/1 5 0,5-WR 21 50-50	77254-6742
300	1	5	0,5	3	PSR 205 300/1 5 0,5-WR 21 50-50	77254-6842



77254-0933

PSR 205 tube-type current transformer

Features:

- Diameter 21 mm², accuracy class 1

Primary current	Secondary current	VA	Accuracy class	PU	Product designation	Order no.
50	5	2,5	1	3	PSR 205 50/5 2,5 1-WR 21 50-50	77254-0933
60	5	2,5	1	3	PSR 205 60/5 2,5 1-WR 21 50-50	77254-1033
75	5	2,5	1	3	PSR 205 75/5 2,5 1-WR 21 50-50	77254-1133
80	5	5	1	3	PSR 205 80/5 5,0 1-WR 21 50-50	77254-1243
100	5	5	1	3	PSR 205 100/5 5,0 1-WR 21 50-50	77254-1343
125	5	5	1	3	PSR 205 125/5 5,0 1-WR 21 50-50	77254-1443
150	5	10	1	3	PSR 205 150/5 10 1-WR 21 50-50	77254-1563
200	5	10	1	3	PSR 205 200/5 10 1-WR 21 50-50	77254-1663
250	5	10	1	3	PSR 205 250/5 10 1-WR 21 50-50	77254-1763
300	5	10	1	3	PSR 205 300/5 10 1-WR 21 50-50	77254-1863
50	1	2,5	1	3	PSR 205 50/1 2,5 1-WR 21 50-50	77254-5933
60	1	2,5	1	3	PSR 205 60/1 2,5 1-WR 21 50-50	77254-6033
75	1	2,5	1	3	PSR 205 75/1 2,5 1-WR 21 50-50	77254-6133
80	1	5	1	3	PSR 205 80/1 5 1-WR 21 50-50	77254-6243
100	1	5	1	3	PSR 205 100/1 5 1-WR 21 50-50	77254-6343
125	1	5	1	3	PSR 205 125/1 5 1-WR 21 50-50	77254-6443
150	1	5	1	3	PSR 205 150/1 5 1-WR 21 50-50	77254-6543
200	1	5	1	3	PSR 205 200/1 5 1-WR 21 50-50	77254-6643
250	1	5	1	3	PSR 205 250/1 5 1-WR 21 50-50	77254-6743
300	1	5	1	3	PSR 205 300/1 5 1-WR 21 50-50	77254-6843



77255-1332

PSR 253 tube-type current transformer

Features:

- Diameter 22.5 mm², accuracy class 0.5

Primary current	Secondary current	VA	Accuracy class	PU	Product designation	Order no.
75	5	1,5	0,5	3	PSR 253 75/5 1,5 0,5-WR 22,5 60-30	77255-1122
80	5	1,5	0,5	3	PSR 253 80/5 1,5 0,5-WR 22,5 60-30	77255-1222
100	5	2,5	0,5	3	PSR 253 100/5 2,5 0,5-WR 22,5 60-30	77255-1332
125	5	2,5	0,5	3	PSR 253 125/5 2,5 0,5-WR 22,5 60-30	77255-1432
150	5	2,5	0,5	3	PSR 253 150/5 2,5 0,5-WR 22,5 60-30	77255-1532
200	5	5	0,5	3	PSR 253 200/5 5,0 0,5-WR 22,5 60-30	77255-1642

Tube-type current transformers

► Technical data, page 326



77255-1332

PSR 253 tube-type current transformer

Features:

- Diameter 22.5 mm², accuracy class 0.5

Primary current	Secondary current	VA	Accuracy class	PU	Product designation	Order no.
250	5	5	0,5	3	PSR 253 250/5 5,0 0,5-WR 22,5 60-30	77255-1742
300	5	5	0,5	3	PSR 253 300/5 5,0 0,5-WR 22,5 60-30	77255-1842
400	5	5	0,5	3	PSR 253 400/5 5,0 0,5-WR 22,5 60-30	77255-1942
500	5	5	0,5	3	PSR 253 500/5 5,0 0,5-WR 22,5 60-30	77255-2042
600	5	5	0,5	3	PSR 253 600/5 5,0 0,5 22,5 60-30	77255-2142
75	1	1,5	0,5	3	PSR 253 75/1 1,5 0,5-WR 22,5 60-30	77255-6122
80	1	1,5	0,5	3	PSR 253 80/1 1,5 0,5-WR 22,5 60-30	77255-6222
100	1	2,5	0,5	3	PSR 253 100/1 2,5 0,5-WR 22,5 60-30	77255-6332
125	1	2,5	0,5	3	PSR 253 125/1 2,5 0,5-WR 22,5 60-30	77255-6432
150	1	2,5	0,5	3	PSR 253 150/1 2,5 0,5-WR 22,5 60-30	77255-6532
200	1	5	0,5	3	PSR 253 200/1 5,0 0,5-WR 22,5 60-30	77255-6642
250	1	5	0,5	3	PSR 253 250/1 5,0 0,5-WR 22,5 60-30	77255-6742
300	1	5	0,5	3	PSR 253 300/1 5,0 0,5-WR 22,5 60-30	77255-6842
400	1	5	0,5	3	PSR 253 400/1 5,0 0,5-WR 22,5 60-30	77255-6942
500	1	5	0,5	3	PSR 253 500/1 5,0 0,5-WR 22,5 60-30	77255-7042
600	1	5	0,5	3	PSR 253 600/1 5,0 0,5-WR 22,5 60-30	77255-7142



77255-1743

PSR 253 tube-type current transformer

Features:

- Diameter 22.5 mm², accuracy class 1

Primary current	Secondary current	VA	Accuracy class	PU	Product designation	Order no.
50	5	1,5	1	3	PSR 253 50/5 1,5 1-WR 22,5 60-30	77255-0923
60	5	2,5	1	3	PSR 253 60/5 2,5 1-WR 22,5 60-30	77255-1033
75	5	2,5	1	3	PSR 253 75/5 2,5 1-WR 22,5 60-30	77255-1133
80	5	2,5	1	3	PSR 253 80/5 2,5 1-WR 22,5 60-30	77255-1233
100	5	5	1	3	PSR 253 100/5 5,0 1-WR 22,5 60-30	77255-1343
125	5	5	1	3	PSR 253 125/5 5,0 1-WR 22,5 60-30	77255-1443
150	5	5	1	3	PSR 253 150/5 5,0 1-WR 22,5 60-30	77255-1543
200	5	5	1	3	PSR 253 200/5 5,0 1-WR 22,5 60-30	77255-1643
250	5	5	1	3	PSR 253 250/5 5,0 1-WR 22,5 60-30	77255-1743
300	5	5	1	3	PSR 253 300/5 5,0 1-WR 22,5 60-30	77255-1843
400	5	5	1	3	PSR 253 400/5 5,0 1-WR 22,5 60-30	77255-1943
500	5	5	1	3	PSR 253 500/5 5,0 1-WR 22,5 60-30	77255-2043
600	5	5	1	3	PSR 253 600/5 5,0 1-WR 22,5 60-30	77255-2143
50	1	1,5	1	3	PSR 253 50/1 1,5 1-WR 22,5 60-30	77255-5923
60	1	2,5	1	3	PSR 253 60/1 2,5 1-WR 22,5 60-30	77255-6033
75	1	2,5	1	3	PSR 253 75/1 2,5 1-WR 22,5 60-30	77255-6133
80	1	2,5	1	3	PSR 253 80/1 2,5 1-WR 22,5 60-30	77255-6233
100	1	5	1	3	PSR 253 100/1 5,0 1-WR 22,5 60-30	77255-6343
125	1	5	1	3	PSR 253 125/1 5 1-WR 22,5 60-30	77255-6443
150	1	5	1	3	PSR 253 150/1 5,0 1-WR 22,5 60-30	77255-6543
200	1	5	1	3	PSR 253 200/1 5,0 1-WR 22,5 60-30	77255-6643
250	1	5	1	3	PSR 253 250/1 5,0 1-WR 22,5 60-30	77255-6743
250	1	10	1	3	PSR 253 250/1 10 1-WR 22,5 60-30	77255-6763
300	1	5	1	3	PSR 253 300/1 5,0 1-WR 22,5 60-30	77255-6843
400	1	5	1	3	PSR 253 400/1 5,0 1-WR 22,5 60-30	77255-6943
500	1	5	1	3	PSR 253 500/1 5,0 1-WR 22,5 60-30	77255-7043
600	1	5	1	3	PSR 253 600/1 5,0 1-WR 22,5 60-30	77255-7143

Tube-type current transformers

► Technical data, page 326



77256-1742

PSR 253/30 tube-type current transformer

Features:

- Diameter 30 mm², accuracy class 0.5

Primary current	Secondary current	VA	Accuracy class	PU	Product designation	Order no.
125	5	5	0,5	3	PSR 253/30 125/5 5 0,5-WR 30 60-30	77256-1442
150	5	5	0,5	3	PSR 253/30 150/5 5 0,5-WR 30 60-30	77256-1542
200	5	5	0,5	3	PSR 253/30 200/5 5 0,5-WR 30 60-30	77256-1642
250	5	5	0,5	3	PSR 253/30 250/5 2,5 0,5-WR 30 60-30	77256-1742
300	5	5	0,5	3	PSR 253/30 300/5 5 0,5-WR 30 60-30	77256-1842
400	5	5	0,5	3	PSR 253/30 400/5 5 0,5-WR 30 60-30	77256-1942
500	5	5	0,5	3	PSR 253/30 500/5 5 0,5-WR 30 60-30	77256-2042
600	5	5	0,5	3	PSR 253/30 600/5 5 0,5-WR 30 60-30	77256-2142
125	1	5	0,5	3	PSR 253/30 125/1 5 0,5-WR 30 60-30	77256-6442
150	1	5	0,5	3	PSR 253/30 150/1 5 0,5-WR 30 60-30	77256-6542
200	1	5	0,5	3	PSR 253/30 200/1 2,5 0,5-WR 30 60-30	77256-6642
250	1	5	0,5	3	PSR 253/30 250/1 2,5 0,5-WR 30 60-30	77256-6742
300	1	5	0,5	3	PSR 253/30 300/1 5 0,5-WR 30 60-30	77256-6842
400	1	5	0,5	3	PSR 253/30 400/1 5 0,5-WR 30 60-30	77256-6942
500	1	5	0,5	3	PSR 253/30 500/1 5 0,5-WR 30 60-30	77256-7042
600	1	5	0,5	3	PSR 253/30 600/1 5 0,5-WR 30 60-30	77256-7142



77256-1743

PSR 253/30 tube-type current transformer

Features:

- Diameter 30 mm², accuracy class 1

Primary current	Secondary current	VA	Accuracy class	PU	Product designation	Order no.
125	5	5	1	3	PSR 253/30 125/5 5 1-WR 30 60-30	77256-1443
150	5	5	1	3	PSR 253/30 150/5 5 1-WR 30 60-30	77256-1543
200	5	5	1	3	PSR 253/30 200/5 5 0 1-WR 30 60-30	77256-1643
250	5	5	1	3	PSR 253/30 250/5 5,0 1-WR 30 60-30	77256-1743
300	5	5	1	3	PSR 253/30 300/5 5 0 1-WR 30 60-30	77256-1843
400	5	5	1	3	PSR 253/30 400/5 5 0 1-WR 30 60-30	77256-1943
500	5	5	1	3	PSR 253/30 500/5 5 1-WR 30 60-30	77256-2043
600	5	5	1	3	PSR 253/30 600/5 5 0 1-WR 30 60-30	77256-2143
1000	5	2,5	1	3	PSR 253/30 1000/5 2,5 1-WR 30 60-30	77256-2433
125	1	5	1	3	PSR 253/30 125/1 5 0 1-WR 30 60-30	77256-6443
150	1	5	1	3	PSR 253/30 150/1 5 0 1-WR 30 60-30	77256-6543
200	1	5	1	3	PSR 253/30 200/1 5 0 1-WR 30 60-30	77256-6643
250	1	5	1	3	PSR 253/30 250/1 5 0 1-WR 30 60-30	77256-6743
300	1	5	1	3	PSR 253/30 300/1 5 0 1-WR 30 60-30	77256-6843
400	1	5	1	3	PSR 253/30 400/1 5 0 1-WR 30 60-30	77256-6943
500	1	5	1	3	PSR 253/30 500/1 5 0 1-WR 30 60-30	77256-7043
600	1	5	1	3	PSR 253/30 600/1 5 0 1-WR 30 60-30	77256-7143

Wound-primary current transformers

► Technical data, page 327



77362-0242

PSW 55

Features:

- Wound-primary current transformer, accuracy class 0.5

Primary current	Secondary current	VA	Accuracy class	PU	Product designation	Order no.
5	5	5	0,5	1	PSW 55 5/5 5,0 0,5 -WW 55-70	77362-0242
10	5	5	0,5	1	PSW 55 10/5 5,0 0,5-WW 55-70	77362-0342
15	5	5	0,5	1	PSW 55 15/5 5,0 0,5-WW 55-70	77362-0442
20	5	5	0,5	1	PSW 55 20/5 5,0 0,5-WW 55-70	77362-0542
25	5	5	0,5	1	PSW 55 25/5 5,0 0,5-WW 55-70	77362-0642
30	5	5	0,5	1	PSW 55 30/5 5,0 0,5-WW 55-70	77362-0742
40	5	5	0,5	1	PSW 55 40/5 5,0 0,5-WW 55-70	77362-0842
5	1	5	0,5	1	PSW 55 5/1 5,0 0,5-WW 55-70	77362-5142
5	1	5	0,5	1	PSW 55 10/1 5,0 0,5-WW 55-70	77362-5242
15	1	5	0,5	1	PSW 55 15/1 5,0 0,5-WW 55-70	77362-5342
20	1	5	0,5	1	PSW 55 20/1 5,0 0,5-WW 55-70	77362-5442
25	1	5	0,5	1	PSW 55 25/1 5,0 0,5-WW 55-70	77362-5542
30	1	5	0,5	1	PSW 55 30/1 5,0 0,5-WW 55-70	77362-5742
40	1	5	0,5	1	PSW 55 40/1 5,0 0,5-WW 55-70	77362-5842



77362-0243

PSW 55

Features:

- Wound-primary current transformer, accuracy class 1

Primary current	Secondary current	VA	Accuracy class	PU	Product designation	Order no.
5	5	5	1	1	PSW 55 5/5 5,0 1-WW 55-70	77362-0243
5	5	10	1	1	PSW 55 5/5 10 1-WW 55-70	77362-0263
10	5	5	1	1	PSW 55 10/5 5,0 1-WW 55-70	77362-0343
10	5	10	1	1	PSW 55 10/5 10 1-WW 55-70	77362-0363
15	5	5	1	1	PSW 55 15/5 5,0 1-WW 55-70	77362-0443
15	5	10	1	1	PSW 55 15/5 10 1-WW 55-70	77362-0463
20	5	5	1	1	PSW 55 20/5 5,0 1-WW 55-70	77362-0543
20	5	10	1	1	PSW 55 20/5 10 1-WW 55-70	77362-0563
25	5	5	1	1	PSW 55 25/5 5,0 1-WW 55-70	77362-0643
25	5	10	1	1	PSW 55 25/5 10 1-WW 55-70	77362-0663
30	5	5	1	1	PSW 55 30/5 5,0 1-WW 55-70	77362-0743
30	5	10	1	1	PSW 55 30/5 10 1-WW 55-70	77362-0763
40	5	5	1	1	PSW 55 40/5 5,0 1-WW 55-70	77362-0843
40	5	10	1	1	PSW 55 40/5 10 1-WW 55-70	77362-0863
5	1	5	1	1	PSW 55 5/1 5,0 1-WW 55-70	77362-5143
5	1	10	1	1	PSW 55 5/1 10 1-WW 55-70	77362-5163
5	1	5	1	1	PSW 55 10/1 5,0 1-WW 55-70	77362-5243
5	1	10	1	1	PSW 55 10/1 10 1-WW 55-70	77362-5263
15	1	5	1	1	PSW 55 15/1 5,0 1-WW 55-70	77362-5343
15	1	10	1	1	PSW 55 15/1 10 1-WW 55-70	77362-5363
20	1	5	1	1	PSW 55 20/1 5,0 1-WW 55-70	77362-5443
20	1	10	1	1	PSW 55 20/1 10 1-WW 55-70	77362-5463
25	1	5	1	1	PSW 55 25/1 5,0 1-WW 55-70	77362-5543
25	1	10	1	1	PSW 55 25/1 10 1-WW 55-70	77362-5563
30	1	5	1	1	PSW 55 30/1 5,0 1-WW 55-70	77362-5743
30	1	10	1	1	PSW 55 30/1 10 1-WW 55-70	77362-5763
40	1	5	1	1	PSW 55 40/1 5,0 1-WW 55-70	77362-5843
40	1	10	1	1	PSW 55 40/1 10 1-WW 55-70	77362-5863

Wound-primary current transformers

► Technical data, page 327



77364-6043

PSW 70

Features:

- Wound-primary current transformer, accuracy class 0.5

Primary current	Secondary current	VA	Accuracy class	PU	Product designation	Order no.
50	5	5	0,5	1	PSW 70 50/5 5,0 0,5-70	77364-0942
60	5	5	0,5	1	PSW 70 60/5 5,0 0,5-70	77364-1042
75	5	5	0,5	1	PSW 70 75/5 5,0 0,5-70	77364-1142
80	5	5	0,5	1	PSW 70 80/5 5,0 0,5-70	77364-1242
100	5	5	0,5	1	PSW 70 100/5 5,0 0,5-70	77364-1342
125	5	5	0,5	1	PSW 70 125/5 5,0 0,5-70	77364-1442
150	5	5	0,5	1	PSW 70 150/5 5,0 0,5-70	77364-1542
200	5	5	0,5	1	PSW 70 200/5 5,0 0,5-70	77364-1642
50	1	5	0,5	1	PSW 70 50/1 5,0 0,5-WW 55-70	77364-5942
60	1	5	0,5	1	PSW 70 60/1 5,0 0,5-70	77364-6042
75	1	5	0,5	1	PSW 70 75/1 5,0 0,5-70	77364-6142
80	1	5	0,5	1	PSW 70 80/1 5,0 0,5-70	77364-6242
100	1	5	0,5	1	PSW 70 100/1 5,0 0,5-70	77364-6342
125	1	5	0,5	1	PSW 70 125/1 5,0 0,5-70	77364-6442
150	1	5	0,5	1	PSW 70 150/1 5,0 0,5-70	77364-6542
200	1	5	0,5	1	PSW 70 200/1 5,0 0,5-70	77364-6642



77364-0843

PSW 70

Features:

- Wound-primary current transformer, accuracy class 1

Primary current	Secondary current	VA	Accuracy class	PU	Product designation	Order no.
50	5	5	1	1	PSW 70 50/5 5,0 1-70	77364-0943
50	5	10	1	1	PSW 70 50/5 10 1-70	77364-0963
60	5	5	1	1	PSW 70 60/5 5,0 1-70	77364-1043
60	5	10	1	1	PSW 70 60/5 10 1-70	77364-1063
75	5	5	1	1	PSW 70 75/5 5,0 1-70	77364-1143
75	5	10	1	1	PSW 70 75/5 10 1-70	77364-1163
80	5	5	1	1	PSW 70 80/5 5,0 1-70	77364-1243
80	5	10	1	1	PSW 70 80/5 10 1-70	77364-1263
100	5	5	1	1	PSW 70 100/5 5,0 1-70	77364-1343
100	5	10	1	1	PSW 70 100/5 10 1-70	77364-1363
125	5	5	1	1	PSW 70 125/5 5,0 1-70	77364-1443
125	5	10	1	1	PSW 70 125/5 10 1-70	77364-1463
150	5	5	1	1	PSW 70 150/5 5,0 1-70	77364-1543
150	5	10	1	1	PSW 70 150/5 10 1-70	77364-1563
200	5	5	1	1	PSW 70 200/5 5,0 1-70	77364-1643
200	5	10	1	1	PSW 70 200/5 10 1-70	77364-1663
50	1	5	1	1	PSW 70 50/1 5,0 1-WW 55-70	77364-5943
50	1	10	1	1	PSW 70 50/1 10 1-70	77364-5963
60	1	5	1	1	PSW 70 60/1 5,0 1-70	77364-6043
60	1	10	1	1	PSW 70 60/1 10 1-70	77364-6063
75	1	5	1	1	PSW 70 75/1 5,0 1-70	77364-6143
75	1	10	1	1	PSW 70 75/1 10 1-70	77364-6163
80	1	5	1	1	PSW 70 80/1 5,0 1-70	77364-6243
80	1	10	1	1	PSW 70 80/1 10 1-70	77364-6263
100	1	5	1	1	PSW 70 100/5 5VA Kl.1-70	77364-6343
100	1	10	1	1	PSW 70 100/1 10 1-70	77364-6363
125	1	5	1	1	PSW 70 125/1 5,0 1-70	77364-6443
125	1	10	1	1	PSW 70 125/1 10 1-70	77364-6463
150	1	5	1	1	PSW 70 150/1 5,0 1-70	77364-6543
150	1	10	1	1	PSW 70 150/1 10 1-70	77364-6563
200	1	5	1	1	PSW 70 200/1 5,0 1-70	77364-6643
200	1	10	1	1	PSW 70 200/1 10 1-70	77364-6663

Summary current transformers

► Technical data, page 327



77470-3442

PSS 2

Features:

- Summary current transformer for 2 main circuits, accuracy class 0.5

Primary current	Secondary current	VA	Accuracy class	PU	Product designation	Order no.
2x5	5	5	0,5	1	PSS 2 5+5/5 5,0 0,5-WS 2 KREISE	77470-3442
2x5	5	10	0,5	1	PSS 2 5+5/5 10 0,5-WS 2 KREISE	77470-3462
2x5	5	15	0,5	1	PSS 2 5+5/5 15 0,5-WS 2 KREISE	77470-3472
2x1	5	10	0,5	1	PSS 2 1+1/5 10 0,5-WS 2 KREISE	77470-3962
2x1	5	15	0,5	1	PSS 2 1+1/5 15 0,5-WS 2 KREISE	77470-3972
2x5	1	5	0,5	1	PSS 2 5+5/1 5,0 0,5-WS 2 KREISE	77470-8742
2x5	1	10	0,5	1	PSS 2 5+5/1 10 0,5-WS 2 KREISE	77470-8762
2x5	1	15	0,5	1	PSS 2 5+5/1 15 0,5-WS 2 KREISE	77470-8772
2x1	1	5	0,5	1	PSS 2 1+1/1 5,0 0,5-WS 2 KREISE	77470-8942
2x1	1	10	0,5	1	PSS 2 1+1/1 10 0,5-WS 2 KREISE	77470-8962
2x1	1	15	0,5	1	PSS 2 1+1/1 15 0,5-WS 2 KREISE	77470-8972



77470-3443

PSS 2

Features:

- Summary current transformer for 2 main circuits, accuracy class 1

Primary current	Secondary current	VA	Accuracy class	PU	Product designation	Order no.
2x5	5	5	1	1	PSS 2 5+5/5 5,0 1-WS 2 KREISE	77470-3443
2x5	5	10	1	1	PSS 2 5+5/5 10 1-WS 2 KREISE	77470-3463
2x5	5	15	1	1	PSS 2 5+5/5 15 1-WS 2 KREISE	77470-3473
2x1	5	10	1	1	PSS 2 1+1/5 10 0,5-WS 2 KREISE	77470-3963
2x1	5	15	1	1	PSS 2 1+1/5 15 1-WS 2 KREISE	77470-3973
2x5	1	5	1	1	PSS 2 5+5/1 5,0 1-WS 2 KREISE	77470-8743
2x5	1	10	1	1	PSS 2 5+5/1 10 1-WS 2 KREISE	77470-8763
2x5	1	15	1	1	PSS 2 5+5/1 15 1-WS 2 KREISE	77470-8773
2x1	1	5	1	1	PSS 2 1+1/1 5,0 1-WS 2 KREISE	77470-8943
2x1	1	10	1	1	PSS 2 1+1/1 10 1-WS 2 KREISE HW 1:1	77470-8963
2x1	1	15	1	1	PSS 2 1+1/1 15 1-WS 2 KREISE	77470-8973

PGSU

Features:

- Summary current transformer for 3 to 10 main circuits, accuracy class 0.5

Primary current	Secondary current	VA	Accuracy class	PU	Product designation	Order no.
3 x 5	5	10	0,5	1	PGSU 3 5+5+5/5 10 0,5	77844-3562
4 x 5	5	10	0,5	1	PGSU 4 5+5+5+5/5 10 0,5	77844-3662
5 x 5	5	10	0,5	1	PGSU 5 5+5+5+5+5/5 10 0,5	77844-3762
6 x 5	5	10	0,5	1	PGSU 6 5+5+5+5+5+5/5 10 0,5	77844-3862
7 x 5	5	10	0,5	1	PGSU 7 5+5+5+5+5+5+5/5 10 0,5	77844-4662
8 x 5	5	10	0,5	1	PGSU 8 5+5+5+5+5+5+5+5/5 10 0,5	77844-4762
9 x 5	5	10	0,5	1	PGSU 9 5+5+5+5+5+5+5+5+5/5 10 0,5	77844-4862
10 x 5	5	10	0,5	1	PGSU 10 5+5+5+5+5+5+5+5+5+5/5 10 0,5	77844-4962
3 x 5	1	10	0,5	1	PGSU 3 1+1+1/1 10 0,5	77844-9062
4 x 5	1	10	0,5	1	PGSU 4 1+1+1+1/1 10 0,5	77844-9162
5 x 5	1	10	0,5	1	PGSU 5 1+1+1+1+1/1 10 0,5	77844-9262
6 x 5	1	10	0,5	1	PGSU 6 1+1+1+1+1+1/1 10 0,5	77844-9362
7 x 5	1	10	0,5	1	PGSU 7 1+1+1+1+1+1+1/1 10 0,5	77844-9462
8 x 5	1	10	0,5	1	PGSU 8 1+1+1+1+1+1+1+1/1 10 0,5	77844-9762
9 x 5	1	10	0,5	1	PGSU 9 1+1+1+1+1+1+1+1+1/1 10 0,5	77844-9862
10 x 5	1	10	0,5	1	PGSU 10 1+1+1+1+1+1+1+1+1+1/1 10 0,5	77844-9962

Summary current transformers

► Technical data, page 327

PGSU

Features:

- Summary current transformer for 3 to 10 main circuits, accuracy class 1

Primary current	Secondary current	VA	Accuracy class	PU	Product designation	Order no.
3 x 5	5	10	1	1	PGSU 3 5+5+5/5 10 1	77844-3563
4 x 5	5	10	1	1	PGSU 4 5+5+5+5/5 10 1	77844-3663
5 x 5	5	10	1	1	PGSU 5 5+5+5+5+5/5 10 1	77844-3763
6 x 5	5	10	1	1	PGSU 6 5+5+5+5+5+5/5 10 1	77844-3863
7 x 5	5	10	1	1	PGSU 7 5+5+5+5+5+5+5/5 10 1	77844-4663
8 x 5	5	10	1	1	PGSU 8 5+5+5+5+5+5+5+5/5 10 1	77844-4763
9 x 5	5	10	1	1	PGSU 9 5+5+5+5+5+5+5+5+5/5 10 1	77844-4863
10 x 5	5	10	1	1	PGSU 10 5+5+5+5+5+5+5+5+5+5/5 10 1	77844-4963
3 x 5	1	10	1	1	PGSU 3 1+1+1/1 10 1	77844-9063
4 x 5	1	10	1	1	PGSU 4 1+1+1+1/1 10 1	77844-9163
5 x 5	1	10	1	1	PGSU 5 1+1+1+1+1/1 10 1	77844-9263
6 x 5	1	10	1	1	PGSU 6 1+1+1+1+1+1/1 10 1	77844-9363
7 x 5	1	10	1	1	PGSU 7 1+1+1+1+1+1+1/1 10 1	77844-9463
8 x 5	1	10	1	1	PGSU 8 1+1+1+1+1+1+1+1/1 10 1	77844-9763
9 x 5	1	10	1	1	PGSU 9 1+1+1+1+1+1+1+1+1/1 10 1	77844-9863
10 x 5	1	10	1	1	PGSU 10 1+1+1+1+1+1+1+1+1+1/1 10 1	77844-9963

PTB-compliant current transformers for billing purposes

► Technical data, page 320



77508-1132

EPSA 315

Features:

- Window-type current transformer, PTB-compliant
- Primary busbar 30 x 10 mm, supplied with secondary terminal cover (SKLAD)

Primary current	Secondary current	VA	Accuracy class	PU	Product designation	Order no.
75	5	1,5	0,5s	3	EPSA 315 75/5 1,5 0,5S-WA 30X10 60-55	77508-1126
75	5	2,5	0,5	3	EPSA 315 75/5 2,5 0,5-WA 30X10 60-55	77508-1132
100	5	1,5	0,5s	3	EPSA 315 100/5 1,5 0,5S-WA 30X10 60-55	77508-1326
100	5	2,5	0,2	3	EPSA 315 100/5 2,5 0,2-WA 30X10 60-55	77508-1331
100	5	2,5	0,5	3	EPSA 315 100/5 2,5 0,5-WA 30X10 60-55	77508-1332
250	1	15	1	3	PSA 315 250/1 15 1-WA 30X10 60-55	77108-6773
100	5	2,5	0,5s	3	EPSA 315 100/5 2,5 0,5S-WA 30X10 60-55	77508-1336
125	5	1,5	0,2	3	EPSA 315 125/5 1,5 0,2-WA 30X10 60-55	77508-1421
125	5	2,5	0,2	3	EPSA 315 125/5 2,5 0,2-WA 30X10 60-55	77508-1431
125	5	2,5	0,5	3	EPSA 315 125/5 2,5 0,5-WA 30X10 60-55	77508-1432
125	5	2,5	0,5s	3	EPSA 315 125/5 2,5 0,5S-WA 30X10 60-55	77508-1436
125	5	5	0,5	3	EPSA 315 125/5 5,0 0,5-WA 30X10 60-55	77508-1442
150	5	2,5	0,5	3	EPSA 315 150/5 2,5 0,5-WA 30X10 60-55	77508-1532
150	5	2,5	0,5s	3	EPSA 315 150/5 2,5 0,5S-WA 30X10 60-55	77508-1536
150	5	5	0,2	3	EPSA 315 150/5 5,0 0,2-WA 30X10 60-55	77508-1541
150	5	5	0,5	3	EPSA 315 150/5 5,0 0,5-WA 30X10 60-55	77508-1542
150	5	5	0,5s	3	EPSA 315 150/5 5,0 0,5S-WA 30X10 60-55	77508-1546
150	5	10	0,5	3	EPSA 315 150/5 10 0,5-WA 30X10 60-55	77508-1562
200	5	2,5	0,2	3	EPSA 315 200/5 2,5 0,2-WA 30X10 60-55	77508-1631
200	5	2,5	0,5	3	EPSA 315 200/5 2,5 0,5-WA 30X10 60-55	77508-1632
200	5	2,5	0,5s	3	EPSA 315 200/5 2,5 0,5S-WA 30X10 60-55	77508-1636
200	5	5	0,2	3	EPSA 315 200/5 5,0 0,2-WA 30X10 60-55	77508-1641
200	5	5	0,5	3	EPSA 315 200/5 5,0 0,5-WA 30X10 60-55	77508-1642
200	5	5	0,5s	3	EPSA 315 200/5 5,0 0,5S-WA 30X10 60-55	77508-1646
200	5	10	0,5	3	EPSA 315 200/5 10 0,5-WA 30X10 60-55	77508-1662
200	5	15	0,5	3	EPSA 315 200/5 15 0,5-WA 30X10 60-55	77508-1672
250	5	2,5	0,2	3	EPSA 315 250/5 2,5 0,2-WA 30X10 60-55	77508-1731
250	5	2,5	0,5	3	EPSA 315 250/5 2,5 0,5-WA 30X10 60-55	77508-1732
250	5	2,5	0,5s	3	EPSA 315 250/5 2,5 0,5S-WA 30X10 60-55	77508-1736
250	5	5	0,2	3	EPSA 315 250/5 5,0 0,2-WA 30X10 60-55	77508-1741
250	5	5	0,5	3	EPSA 315 250/5 5,0 0,5-WA 30X10 60-55	77508-1742
250	5	5	0,5s	3	EPSA 315 250/5 5,0 0,5S-WA 30X10 60-55	77508-1746
250	5	10	0,5	3	EPSA 315 250/5 10 0,5-WA 30X10 60-55	77508-1762
250	5	10	0,5s	3	EPSA 315 250/5 10 0,5S-WA 30X10 60-55	77508-1766
250	5	15	0,5	3	EPSA 315 250/5 15 0,5-WA 30X10 60-55	77508-1772
300	5	2,5	0,2	3	EPSA 315 300/5 2,5 0,2-WA 30X10 60-55	77508-1831
300	5	2,5	0,5	3	EPSA 315 300/5 2,5 0,5-WA 30X10 60-55	77508-1832
300	5	2,5	0,5s	3	EPSA 315 300/5 2,5 0,5S-WA 30X10 60-55	77508-1836
300	5	5	0,2	3	EPSA 315 300/5 5,0 0,2-WA 30X10 60-55	77508-1841
300	5	5	0,5	3	EPSA 315 300/5 5,0 0,5-WA 30X10 60-55	77508-1842
300	5	5	0,5s	3	EPSA 315 300/5 5,0 0,5S-WA 30X10 60-55	77508-1846
300	5	10	0,5	3	EPSA 315 300/5 10 0,5-WA 30X10 60-55	77508-1862
300	5	10	0,5s	3	EPSA 315 300/5 10 0,5S-WA 30X10 60-55	77508-1866
300	5	15	0,5	3	EPSA 315 300/5 15 0,5-WA 30X10 60-55	77508-1872
400	5	2,5	0,2	3	EPSA 315 400/5 2,5 0,2-WA 30X10 60-55	77508-1931
400	5	2,5	0,5	3	EPSA 315 400/5 2,5 0,5-WA 30X10 60-55	77508-1932
400	5	2,5	0,5s	3	EPSA 315 400/5 2,5 0,5S-WA 30X10 60-55	77508-1936
400	5	5	0,2	3	EPSA 315 400/5 5,0 0,2-WA 30X10 60-55	77508-1941
400	5	5	0,5	3	EPSA 315 400/5 5,0 0,5-WA 30X10 60-55	77508-1942
400	5	5	0,5s	3	EPSA 315 400/5 5,0 0,5S-WA 30X10 60-55	77508-1946
400	5	10	0,2	3	EPSA 315 400/5 10 0,2-WA 30X10 60-55	77508-1961
400	5	10	0,5	3	EPSA 315 400/5 10 0,5-WA 30X10 60-55	77508-1962
400	5	10	0,5s	3	EPSA 315 400/5 10 0,5S-WA 30X10 60-55	77508-1966
400	5	15	0,2	3	EPSA 315 400/5 15 0,2-WA 30X10 60-55	77508-1971
400	5	15	0,5	3	EPSA 315 400/5 15 0,5-WA 30X10 60-55	77508-1972

PTB-compliant current transformers for billing purposes

► Technical data, page 320



77508-1132

EPSA 315

Features:

- Window-type current transformer, PTB-compliant
- Primary busbar 30 x 10 mm, supplied with secondary terminal cover (SKLAD)

Primary current	Secondary current	VA	Accuracy class	PU	Product designation	Order no.
400	5	15	0,5s	3	EPSA 315 400/5 15 0,5S-WA 30X10 60-55	77508-1976
500	5	2,5	0,2	3	EPSA 315 500/5 2,5 0,2-WA 30X10 60-55	77508-2031
500	5	2,5	0,5	3	EPSA 315 500/5 2,5 0,5-WA 30X10 60-55	77508-2032
500	5	2,5	0,5s	3	EPSA 315 500/5 2,5 0,5S-WA 30X10 60-55	77508-2036
500	5	5	0,2	3	EPSA 315 500/5 5,0 0,2-WA 30X10 60-55	77508-2041
500	5	5	0,5	3	EPSA 315 500/5 5,0 0,5-WA 30X10 60-55	77508-2042
500	5	5	0,5s	3	EPSA 315 500/5 5,0 0,5S-WA 30X10 60-55	77508-2046
500	5	10	0,2	3	EPSA 315 500/5 10 0,2-WA 30X10 60-55	77508-2061
500	5	10	0,5	3	EPSA 315 500/5 10 0,5-WA 30X10 60-55	77508-2062
500	5	10	0,5s	3	EPSA 315 500/5 10 0,5S-WA 30X10 60-55	77508-2066
500	5	15	0,2	3	EPSA 315 500/5 15 0,2-WA 30X10 60-55	77508-2071
500	5	15	0,5	3	EPSA 315 500/5 15 0,5-WA 30X10 60-55	77508-2072
500	5	15	0,5s	3	EPSA 315 500/5 15 0,5S-WA 30X10 60-55	77508-2076
600	5	2,5	0,2	3	EPSA 315 600/5 2,5 0,2-WA 30X10 60-55	77508-2131
600	5	2,5	0,5	3	EPSA 315 600/5 2,5 0,5-WA 30X10 60-55	77508-2132
600	5	2,5	0,5s	3	EPSA 315 600/5 2,5 0,5S-WA 30X10 60-55	77508-2136
600	5	5	0,2	3	EPSA 315 600/5 5,0 0,2-WA 30X10 60-55	77508-2141
600	5	5	0,5	3	EPSA 315 600/5 5,0 0,5-WA 30X10 60-55	77508-2142
600	5	5	0,5s	3	EPSA 315 600/5 5,0 0,5S-WA 30X10 60-55	77508-2146
600	5	10	0,2	3	EPSA 315 600/5 10 0,2-WA 30X10 60-55	77508-2161
600	5	10	0,5	3	EPSA 315 600/5 10 0,5-WA 30X10 60-55	77508-2162
600	5	10	0,5s	3	EPSA 315 600/5 10 0,5S-WA 30X10 60-55	77508-2166
600	5	15	0,2	3	EPSA 315 600/5 15 0,2-WA 30X10 60-55	77508-2171
600	5	15	0,5	3	EPSA 315 600/5 15 0,5-WA 30X10 60-55	77508-2172
600	5	15	0,5s	3	EPSA 315 600/5 15 0,5S-WA 30X10 60-55	77508-2176



77511-2142

EPSA 415

Features:

- Window-type current transformer, PTB-compliant
- Primary busbar 40 x 12 mm (30 x 25), supplied with secondary terminal cover (SKLAD)

Primary current	Secondary current	VA	Accuracy class	PU	Product designation	Order no.
200	5	2,5	0,5	3	EPSA 415 200/5 2,5 0,5-WA 40x12 60-55	77511-1632
200	5	5	0,5	3	EPSA 415 200/5 5,0 0,5-WA 40X10 60-55	77511-1642
250	5	2,5	0,5	3	EPSA 415 250/5 2,5 0,5-WA 40x12 60-55	77511-1732
250	5	2,5	0,5s	3	EPSA 415 250/5 2,5 0,5s-WA 40X10 60-55	77511-1736
250	5	5	0,5	3	EPSA 415 250/5 5,0 0,5-WA 40X10 60-55	77511-1742
250	5	5	0,5s	3	EPSA 415 250/5 5,0 0,5s-WA 40X10 60-55	77511-1746
300	5	2,5	0,5	3	EPSA 415 300/5 2,5 0,5-WA 40x12 60-55	77511-1832
300	5	2,5	0,5s	3	EPSA 415 300/5 2,5 0,5s-WA 40X10 60-55	77511-1836
300	5	5	0,5	3	EPSA 415 300/5 5,0 0,5-WA 40X12 60-55	77511-1842
300	5	5	0,5s	3	EPSA 415 300/5 5,0 0,5s-WA 40X12 60-55	77511-1846
300	5	10	0,5	3	EPSA 415 300/5 10 0,5-WA 40X12 60-55	77511-1862
400	5	2,5	0,2	3	EPSA 415 400/5 2,5 0,2-WA 40x12 60-55	77511-1931
400	5	2,5	0,5	3	EPSA 415 400/5 2,5 0,5-WA 40x12 60-55	77511-1932
400	5	2,5	0,5s	3	EPSA 415 400/5 2,5 0,5s-WA 40X10 60-55	77511-1936
400	5	5	0,2	3	EPSA 415 400/5 5,0 0,2-WA 40X10 60-55	77511-1941
400	5	5	0,5	3	EPSA 415 400/5 5,0 0,5-WA 40X12 60-55	77511-1942
400	5	5	0,5s	3	EPSA 415 400/5 5,0 0,5s-WA 40X12 60-55	77511-1946
400	5	10	0,5	3	EPSA 415 400/5 10 0,5-WA 40X12 60-55	77511-1962
400	5	10	0,5s	3	EPSA 415 400/5 10 0,5s-WA 40X12 60-55	77511-1966
500	5	2,5	0,2	3	EPSA 415 500/5 2,5 0,2-WA 40x12 60-55	77511-2031
500	5	2,5	0,5	3	EPSA 415 500/5 2,5 0,5-WA 40x12 60-55	77511-2032
500	5	2,5	0,5s	3	EPSA 415 500/5 2,5 0,5s-WA 40X10 60-55	77511-2036
500	5	5	0,2	3	EPSA 415 500/5 5,0 0,2-WA 40X12 60-55	77511-2041
500	5	5	0,5	3	EPSA 415 500/5 5,0 0,5-WA 40X12 60-55	77511-2042

PTB-compliant current transformers for billing purposes

► Technical data, page 320



77511-2142

EPSA 415

Features:

- Window-type current transformer, PTB-compliant
- Primary busbar 40 x 12 mm (30 x 25), supplied with secondary terminal cover (SKLAD)

Primary current	Secondary current	VA	Accuracy class	PU	Product designation	Order no.
500	5	5	0,5s	3	EPSA 415 500/5 5,0 0,5s-WA 40X12 60-55	77511-2046
500	5	10	0,5	3	EPSA 415 500/5 10 0,5-WA 40X12 60-55	77511-2062
500	5	10	0,5s	3	EPSA 415 500/5 10 0,5S-WA 40X12 60-55	77511-2066
600	5	2,5	0,2	3	EPSA 415 600/5 2,5 0,2-WA 40x12 60-55	77511-2131
600	5	2,5	0,5	3	EPSA 415 600/5 2,5 0,5-WA 40x12 60-55	77511-2132
600	5	2,5	0,5s	3	EPSA 415 600/5 2,5 0,5s-WA 40X10 60-55	77511-2136
600	5	5	0,2	3	EPSA 415 600/5 5,0 0,2-WA 40X10 60-55	77511-2141
600	5	5	0,5	3	EPSA 415 600/5 5,0 0,5-WA 40X12 60-55	77511-2142
600	5	5	0,5s	3	EPSA 415 600/5 5,0 0,5s-WA 40X12 60-55	77511-2146
600	5	10	0,5	3	EPSA 415 600/5 10 0,5-WA 40X12 60-55	77511-2162
600	5	10	0,5s	3	EPSA 415 600/5 10 0,5s-WA 40X12 60-55	77511-2166
600	5	15	0,5	3	EPSA 415 600/5 15 0,5-WA 40X12 60-55	77511-2172



77512-1942

EPSA 417.1

Features:

- Window-type current transformer, PTB-compliant
- Primary busbar 40 x 12 mm (30 x 30), supplied with secondary terminal cover (SKLAD)

Primary current	Secondary current	VA	Accuracy class	PU	Product designation	Order no.
150	5	2,5	0,5	3	EPSA 417.1 150/5 2,5 0,5-WA 40X12 70-55	77512-1532
150	5	2,5	0,5s	3	EPSA 417.1 150/5 2,5 0,5S-WA 40X12 70-55	77512-1536
150	5	5	0,5s	3	EPSA 417.1 150/5 5,0 0,5S-WA 40X12 70-55	77512-1546
150	5	9	0,5	3	EPSA 417.1 150/5 2,5 0,5s	77512-1592
200	5	2,5	0,2	3	EPSA 417.1 200/5 2,5 0,2-WA 40X12 70-55	77512-1631
200	5	2,5	0,5	3	EPSA 417.1 200/5 2,5 0,5-WA 40X12 70-55	77512-1632
200	5	2,5	0,5s	3	EPSA 417.1 200/5 2,5 0,5S-WA 40X12 70-55	77512-1636
200	5	5	0,5s	3	EPSA 417.1 200/5 5,0 0,5S-WA 40X12 70-55	77512-1646
250	5	2,5	0,2	3	EPSA 417.1 250/5 2,5 0,2-WA 40X12 70-55	77512-1731
250	5	2,5	0,5	3	EPSA 417.1 250/5 2,5 0,5-WA 40X12 70-55	77512-1732
250	5	2,5	0,5s	3	EPSA 417.1 250/5 2,5 0,5S-WA 40X12 70-55	77512-1736
250	5	5	0,5	3	EPSA 417.1 250/5 5,0 0,5-WA 40X12 70-55	77512-1742
250	5	5	0,5s	3	EPSA 417.1 250/5 5,0 0,5S-WA 40X12 70-55	77512-1746
250	5	10	0,5s	3	EPSA 417.1 250/5 10 0,5S-WA 40X12 70-55	77512-1766
300	5	2,5	0,2	3	EPSA 417.1 300/5 2,5 0,2-WA 40X12 70-55	77512-1831
300	5	2,5	0,5	3	EPSA 417.1 300/5 2,5 0,5-WA 40X12 70-55	77512-1832
300	5	2,5	0,5s	3	EPSA 417.1 300/5 2,5 0,5S-WA 40X12 70-55	77512-1836
300	5	5	0,2	3	EPSA 417.1 300/5 5,0 0,2-WA 40X12 70-55	77512-1841
300	5	5	0,5	3	EPSA 417.1 300/5 5,0 0,5-WA 40X12 70-55	77512-1842
300	5	5	0,5s	3	EPSA 417.1 300/5 5,0 0,5S-WA 40X12 70-55	77512-1846
300	5	10	0,5	3	EPSA 417.1 300/5 10 0,5-WA 40X12 70-55	77512-1862
300	5	10	0,5s	3	EPSA 417.1 300/5 10 0,5S-WA 40X12 70-55	77512-1866
400	5	2,5	0,2	3	EPSA 417.1 400/5 2,5 0,2-WA 40X12 70-55	77512-1931
400	5	2,5	0,5	3	EPSA 417.1 400/5 2,5 0,5-WA 40X12 70-55	77512-1932
400	5	2,5	0,5s	3	EPSA 417.1 400/5 2,5 0,5S-WA 40X12 70-55	77512-1936
400	5	5	0,2	3	EPSA 417.1 400/5 5,0 0,2-WA 40X12 70-55	77512-1941
400	5	5	0,5	3	EPSA 417.1 400/5 5,0 0,5-WA 40X12 70-55	77512-1942
400	5	5	0,5s	3	EPSA 417.1 400/5 5,0 0,5S-WA 40X12 70-55	77512-1946
400	5	10	0,5	3	EPSA 417.1 400/5 10 0,5-WA 40X12 70-55	77512-1962
400	5	10	0,5s	3	EPSA 417.1 400/5 10 0,5s-WA 40X12 70-55	77512-1966
400	5	15	0,5s	3	EPSA 417.1 400/5 15 0,5s-WA 40X12 70-55	77512-1976
500	5	2,5	0,2	3	EPSA 417.1 500/5 2,5 0,2-WA 40X12 70-55	77512-2031
500	5	2,5	0,5	3	EPSA 417.1 500/5 2,5 0,5-WA 40X12 70-55	77512-2032
500	5	2,5	0,5s	3	EPSA 417.1 500/5 2,5 0,5S-WA 40X12 70-55	77512-2036
500	5	5	0,2	3	EPSA 417.1 500/5 5,0 0,2-WA 40X12 70-55	77512-2041
500	5	5	0,5	3	EPSA 417.1 500/5 5,0 0,5-WA 40X12 70-55	77512-2042
500	5	5	0,5s	3	EPSA 417.1 500/5 5,0 0,5S-WA 40X12 70-55	77512-2046

PTB-compliant current transformers for billing purposes

► Technical data, page 320



77512-1942

EPSA 417.1

Features:

- Window-type current transformer, PTB-compliant
- Primary busbar 40 x 12 mm (30 x 30), supplied with secondary terminal cover (SKLAD)

Primary current	Secondary current	VA	Accuracy class	PU	Product designation	Order no.
500	5	10	0,5	3	EPSA 417.1 500/5 10 0,5-WA 40X12 70-55	77512-2062
500	5	10	0,5s	3	EPSA 417.1 500/5 10 0,5S-WA 40X12 70-55	77512-2066
500	5	15	0,5s	3	EPSA 417.1 500/5 15 0,5S-WA 40X12 70-55	77512-2076
600	5	2,5	0,2	3	EPSA 417.1 600/5 2,5 0,2-WA 40X12 70-55	77512-2131
600	5	2,5	0,5	3	EPSA 417.1 600/5 2,5 0,5-WA 40X12 70-55	77512-2132
600	5	2,5	0,5s	3	EPSA 417.1 600/5 2,5 0,5S-WA 40X12 70-55	77512-2136
600	5	5	0,2	3	EPSA 417.1 600/5 5,0 0,2-WA 40X12 70-55	77512-2141
600	5	5	0,5	3	EPSA 417.1 600/5 5,0 0,5-WA 40X12 70-55	77512-2142
600	5	5	0,5s	3	EPSA 417.1 600/5 5,0 0,5S-WA 40X12 70-55	77512-2146
600	5	10	0,5	3	EPSA 417.1 600/5 10 0,5-WA 40X12 70-55	77512-2162
600	5	10	0,5s	3	EPSA 417.1 600/5 10 0,5S-WA 40X12 70-55	77512-2166
600	5	15	0,5	3	EPSA 417.1 600/5 15 0,5-WA 40X12 70-55	77512-2172
600	5	15	0,5s	3	EPSA 417.1 600/5 15 0,5S-WA 40X12 70-55	77512-2176
750	5	2,5	0,2	3	EPSA 417.1 750/5 2,5 0,2-WA 40X12 70-55	77512-2231
750	5	2,5	0,5	3	EPSA 417.1 750/5 2,5 0,5-WA 40X12 70-55	77512-2232
750	5	2,5	0,5s	3	EPSA 417.1 750/5 2,5 0,5S-WA 40X12 70-55	77512-2236
750	5	5	0,2	3	EPSA 417.1 750/5 5,0 0,2-WA 40X12 70-55	77512-2241
750	5	5	0,5	3	EPSA 417.1 750/5 5,0 0,5-WA 40X12 70-55	77512-2242
750	5	5	0,5s	3	EPSA 417.1 750/5 5,0 0,5S-WA 40X12 70-55	77512-2246
750	5	10	0,5	3	EPSA 417.1 750/5 10 0,5-WA 40X12 70-55	77512-2262
750	5	10	0,5s	3	EPSA 417.1 750/5 10 0,5S-WA 40X12 70-55	77512-2266
750	5	15	0,5	3	EPSA 417.1 750/5 15 0,5-WA 40X12 70-55	77512-2272
750	5	15	0,5s	3	EPSA 417.1 750/5 15 0,5S-WA 40X12 70-55	77512-2276
800	5	2,5	0,2	3	EPSA 417.1 800/5 2,5 0,2-WA 40X12 70-55	77512-2331
800	5	2,5	0,5	3	EPSA 417.1 800/5 2,5 0,5-WA 40X12 70-55	77512-2332
800	5	2,5	0,5s	3	EPSA 417.1 800/5 2,5 0,5S-WA 40X12 70-55	77512-2336
800	5	5	0,2	3	EPSA 417.1 800/5 5,0 0,2-WA 40X12 70-55	77512-2341
800	5	5	0,5	3	EPSA 417.1 800/5 5,0 0,5-WA 40X12 70-55	77512-2342
800	5	5	0,5s	3	EPSA 417.1 800/5 5,0 0,5S-WA 40X12 70-55	77512-2346
800	5	10	0,5	3	EPSA 417.1 800/5 10 0,5-WA 40X12 70-55	77512-2362
800	5	10	0,5s	3	EPSA 417.1 800/5 10 0,5S-WA 40X12 70-55	77512-2366
800	5	15	0,5	3	EPSA 417.1 800/5 15 0,5-WA 40X12 70-55	77512-2372
800	5	15	0,5s	3	EPSA 417.1 800/5 15 0,5S-WA 40X12 70-55	77512-2376
1000	5	2,5	0,2	3	EPSA 417.1 1000/5 2,5 0,2-WA 40X12 70-55	77512-2431
1000	5	2,5	0,5	3	EPSA 417.1 1000/5 2,5 0,5-WA 40X12 70-55	77512-2432
1000	5	2,5	0,5s	3	EPSA 417.1 1000/5 2,5 0,5S-WA 40X12 70-55	77512-2436
1000	5	5	0,2	3	EPSA 417.1 1000/5 5,0 0,2-WA 40X12 70-55	77512-2441
1000	5	5	0,5	3	EPSA 417.1 1000/5 5,0 0,5-WA 40X12 70-55	77512-2442
1000	5	5	0,5s	3	EPSA 417.1 1000/5 5,0 0,5S-WA 40X12 70-55	77512-2446
1000	5	10	0,2	3	EPSA 417.1 1000/5 5,0 0,2-WA 40X12 70-55	77512-2461
1000	5	10	0,5	3	EPSA 417.1 1000/5 10 0,5-WA 40X12 70-55	77512-2462
1000	5	10	0,5s	3	EPSA 417.1 1000/5 10 0,5S-WA 40X12 70-55	77512-2466
1000	5	15	0,5	3	EPSA 417.1 1000/5 15 0,5-WA 40X12 70-55	77512-2472
1000	5	15	0,5s	3	EPSA 417.1 1000/5 15 0,5S-WA 40X12 70-55	77512-2476



77517-1842

EPSA 517.1

Features:

- Window-type current transformer, PTB-compliant
- Primary busbar 50 x 12 mm (40 x 30), supplied with secondary terminal cover (SKLAD)

Primary current	Secondary current	VA	Accuracy class	PU	Product designation	Order no.
250	5	2,5	0,5	3	EPSA 517.1 250/5 2,5 0,5-WA 50X12 70-55	77517-1732
250	5	2,5	0,5s	3	EPSA 517.1 250/5 2,5 0,5S-WA 50X12 70-55	77517-1736
250	5	5	0,5	3	EPSA 517.1 250/5 5,0 0,5-WA 50X12 70-55	77517-1742
250	5	5	0,5s	3	EPSA 517.1 250/5 5,0 0,5S-WA 50X12 70-55	77517-1746
300	5	2,5	0,5	3	EPSA 517.1 300/5 2,5 0,5-WA 50X12 70-55	77517-1832

PTB-compliant current transformers for billing purposes

► Technical data, page 320



77517-1842

EPSA 517.1

Features:

- Window-type current transformer, PTB-compliant
- Primary busbar 50 x 12 mm (40 x 30), supplied with secondary terminal cover (SKLAD)

Primary current	Secondary current	VA	Accuracy class	PU	Product designation	Order no.
300	5	2,5	0,5s	3	EPSA 517.1 300/5 2,5 0,5s-WA 50X12 70-55	77517-1836
300	5	5	0,5	3	EPSA 517.1 300/5 5,0 0,5-WA 50X12 70-55	77517-1842
300	5	5	0,5s	3	EPSA 517.1 300/5 5,0 0,5s-WA 50X12 70-55	77517-1846
400	5	2,5	0,5	3	EPSA 517.1 400/5 2,5 0,5-WA 50X12 70-55	77517-1932
400	5	2,5	0,5s	3	EPSA 517.1 400/5 2,5 0,5s-WA 50X12 70-55	77517-1936
400	5	5	0,5s	3	EPSA 517.1 400/5 5,0 0,5s-WA 50X12 70-55	77517-1946
400	5	10	0,5s	3	EPSA 517.1 400/5 10 0,5s-WA 50X12 70-55	77517-1966
500	5	2,5	0,2	3	EPSA 517.1 500/5 2,5 0,2-WA 50X12 70-55	77517-2031
500	5	2,5	0,5	3	EPSA 517.1 500/5 2,5 0,5-WA 50X12 70-55	77517-2032
500	5	5	0,2	3	EPSA 517.1 500/5 5,0 0,2-WA 50X12 70-55	77517-2041
500	5	5	0,5	3	EPSA 517.1 500/5 5,0 0,5-WA 50X12 70-55	77517-2042
500	5	5	0,5s	3	EPSA 517.1 500/5 5,0 0,5s-WA 50X12 70-55	77517-2046
500	5	10	0,5	3	EPSA 517.1 500/5 10 0,5-WA 50X12 70-55	77517-2062
500	5	10	0,5s	3	EPSA 517.1 500/5 10 0,5s-WA 50X12 70-55	77517-2066
600	5	2,5	0,2	3	EPSA 517.1 600/5 2,5 0,2-WA 50X12 70-55	77517-2131
600	5	2,5	0,5	3	EPSA 517.1 600/5 2,5 0,5-WA 50X12 70-55	77517-2132
600	5	2,5	0,5s	3	EPSA 517.1 600/5 2,5 0,5s-WA 50X12 70-55	77517-2136
600	5	5	0,2	3	EPSA 517.1 600/5 5,0 0,2-WA 50X12 70-55	77517-2141
600	5	5	0,5	3	EPSA 517.1 600/5 5,0 0,5-WA 50X12 70-55	77517-2142
600	5	5	0,5s	3	EPSA 517.1 600/5 5,0 0,5s-WA 50X12 70-55	77517-2146
600	5	10	0,5	3	EPSA 517.1 600/5 10 0,5-WA 50X12 70-55	77517-2162
600	5	10	0,5s	3	EPSA 517.1 600/5 10 0,5s-WA 50X12 70-55	77517-2166
750	5	2,5	0,5	3	EPSA 517.1 750/5 2,5 0,5-WA 50X12 70-55	77517-2232
750	5	2,5	0,5s	3	EPSA 517.1 750/5 2,5 0,5s-WA 50X12 70-55	77517-2236
750	5	5	0,2	3	EPSA 517.1 750/5 5,0 0,2-WA 50X12 70-55	77517-2241
750	5	5	0,5	3	EPSA 517.1 750/5 5,0 0,5-WA 50X12 70-55	77517-2242
750	5	5	0,5s	3	EPSA 517.1 750/5 5,0 0,5s-WA 50X12 70-55	77517-2246
750	5	10	0,5	3	EPSA 517.1 750/5 10 0,5-WA 50X12 70-55	77517-2262
750	5	10	0,5s	3	EPSA 517.1 750/5 10 0,5s-WA 50X12 70-55	77517-2266
800	5	2,5	0,2	3	EPSA 517.1 800/5 2,5 0,2-WA 50X12 70-55	77517-2331
800	5	2,5	0,5	3	EPSA 517.1 800/5 2,5 0,5-WA 50X12 70-55	77517-2332
800	5	2,5	0,5s	3	EPSA 517.1 800/5 2,5 0,5s-WA 50X12 70-55	77517-2336
800	5	5	0,2	3	EPSA 517.1 800/5 5,0 0,2-WA 50X12 70-55	77517-2341
800	5	5	0,5	3	EPSA 517.1 800/5 5,0 0,5-WA 50X12 70-55	77517-2342
800	5	5	0,5s	3	EPSA 517.1 800/5 5,0 0,5s-WA 50X12 70-55	77517-2346
800	5	10	0,2	3	EPSA 517.1 800/5 10 0,2-WA 50X12 70-55	77517-2361
800	5	10	0,5	3	EPSA 517.1 800/5 10 0,5-WA 50X12 70-55	77517-2362
800	5	10	0,5s	3	EPSA 517.1 800/5 10 0,5s-WA 50X12 70-55	77517-2366
1000	5	2,5	0,2	3	EPSA 517.1 1000/5 2,5 0,2-WA 50X12 70-55	77517-2431
1000	5	2,5	0,5	3	EPSA 517.1 1000/5 2,5 0,5-WA 50X12 70-55	77517-2432
1000	5	2,5	0,5s	3	EPSA 517.1 1000/5 2,5 0,5s-WA 50X12 70-55	77517-2436
1000	5	5	0,2	3	EPSA 517.1 1000/5 5 0,2-WA 50X12 70-55	77517-2441
1000	5	5	0,5	3	EPSA 517.1 1000/5 5,0 0,5-WA 50X12 70-55	77517-2442
1000	5	5	0,5s	3	EPSA 517.1 1000/5 5 0,5s-WA 50X12 70-55	77517-2446
1000	5	10	0,2	3	EPSA 517.1 1000/5 10 0,2-WA 50X12 70-55	77517-2461
1000	5	10	0,5	3	EPSA 517.1 1000/5 10 0,5-WA 50X12 70-55	77517-2462
1000	5	10	0,5s	3	EPSA 517.1 1000/5 10 0,5s-WA 50X12 70-55	77517-2466

PTB-compliant current transformers for billing purposes

► Technical data, page 320



77516-1831

EPSA 514

Features:

- Window-type current transformer, PTB-compliant
- Primary busbar 50 x 12 mm (40 x 30), supplied with secondary terminal cover (SKLAD)

Primary current	Secondary current	VA	Accuracy class	PU	Product designation	Order no.
300	5	2,5	0,2	1	EPSA 514 300/5 2,5 0,2-WA 40X30 100-40	77516-1831
300	5	5	0,2	1	EPSA 514 300/5 5 0,2-WA 40X30 100-40	77516-1841
300	5	5	0,5	1	EPSA 514 300/5 5,0 0,5-WA 40X30 100-40	77516-1842
300	5	5	0,5s	1	EPSA 514 300/5 5 0,5s-WA 40X30 100-40	77516-1846
300	5	10	0,2	1	EPSA 514 300/5 10 0,2-WA 40X30 100-40	77516-1861
300	5	10	0,5	1	EPSA 514 300/5 10 0,5-WA 40X30 100-40	77516-1862
300	5	10	0,5s	1	EPSA 514 300/5 10 0,5s-WA 40X30 100-40	77516-1866
300	5	15	0,5	1	EPSA 514 300/5 15 0,5-WA 40X30 100-40	77516-1872
300	5	15	0,5s	1	EPSA 514 300/5 15 0,5s-WA 40X30 100-40	77516-1876
400	5	2,5	0,2	1	EPSA 514 400/5 2,5 0,2-WA 40X30 100-40	77516-1931
400	5	5	0,2	1	EPSA 514 400/5 5 0,2-WA 40X30 100-40	77516-1941
400	5	5	0,5	1	EPSA 514 400/5,0 0,5-WA 40X30 100-40	77516-1942
400	5	5	0,5s	1	EPSA 514 400/5,0 0,5s-WA 40X30 100-40	77516-1946
400	5	10	0,2	1	EPSA 514 400/5 10 0,2-WA 40X30 100-40	77516-1961
400	5	10	0,5	1	EPSA 514 400/5 10 0,5-WA 40X30 100-40	77516-1962
400	5	15	0,5	1	EPSA 514 400/5 15 0,5-WA 40X30 100-40	77516-1972
400	5	15	0,5s	1	EPSA 514 400/5 15 0,5s-WA 40X30 100-40	77516-1976
500	5	5	0,2	1	EPSA 514 500/5 5 0,2-WA 40X30 100-40	77516-2041
500	5	5	0,5	1	EPSA 514 500/5 5 0,5-WA 40X30 100-40	77516-2042
500	5	5	0,5s	1	EPSA 514 500/5 5 0,5s-WA 40X30 100-40	77516-2046
500	5	10	0,2	1	EPSA 514 500/5 10 0,2-WA 40X30 100-40	77516-2061
500	5	10	0,5	1	EPSA 514 500/5 10 0,5-WA 40X30 100-40	77516-2062
500	5	10	0,5s	1	EPSA 514 500/5 10 0,5s-WA 40X30 100-40	77516-2066
500	5	15	0,5	1	EPSA 514 500/5 15 0,5-WA 40X30 100-40	77516-2072
500	5	15	0,5s	1	EPSA 514 500/5 15 0,5s-WA 40X30 100-40	77516-2076
600	5	5	0,2	1	EPSA 514 600/5 5 0,2-WA 40X30 100-40	77516-2141
600	5	5	0,5	1	EPSA 514 600/5 5 0,5-WA 40X30 100-40	77516-2142
600	5	5	0,5s	1	EPSA 514 600/5 5 0,5s-WA 40X30 100-40	77516-2146
600	5	10	0,2	1	EPSA 514 600/5 10 0,2-WA 40X30 100-40	77516-2161
600	5	10	0,5	1	EPSA 514 600/5 10 0,5-WA 40X30 100-40	77516-2162
600	5	10	0,5s	1	EPSA 514 600/5 10 0,5s-WA 40X30 100-40	77516-2166
600	5	15	0,5	1	EPSA 514 600/5 15 0,5-WA 40X30 100-40	77516-2172
600	5	15	0,5s	1	EPSA 514 600/5 15 0,5s-WA 40X30 100-40	77516-2176
600	5	30	0,5	1	EPSA 514 600/5 30 0,5-WA 40X30 100-40	77516-2182
600	5	30	0,5s	1	EPSA 514 600/5 30 0,5s-WA 40X30 100-40	77516-2186
750	5	5	0,2	1	EPSA 514 750/5 5 0,2-WA 40X30 100-40	77516-2241
750	5	5	0,5	1	EPSA 514 750/5 5 0,5-WA 40X30 100-40	77516-2242
750	5	5	0,5s	1	EPSA 514 750/5 5 0,5s-WA 40X30 100-40	77516-2246
750	5	10	0,2	1	EPSA 514 750/5 10 0,2-WA 40X30 100-40	77516-2261
750	5	10	0,5	1	EPSA 514 750/5 10 0,5-WA 40X30 100-40	77516-2262
750	5	15	0,2	1	EPSA 514 750/5 15 0,2-WA 40X30 100-40	77516-2271
750	5	15	0,5	1	EPSA 514 750/5 15 0,5-WA 40X30 100-40	77516-2272
750	5	15	0,5s	1	EPSA 514 750/5 15 0,5s-WA 40X30 100-40	77516-2276
750	5	30	0,5	1	EPSA 514 750/5 30 0,5-WA 40X30 100-40	77516-2282
750	5	30	0,5s	1	EPSA 514 750/5 30 0,5s-WA 40X30 100-40	77516-2286
800	5	5	0,2	1	EPSA 514 800/5 5 0,2-WA 40X30 100-40	77516-2341
800	5	5	0,5	1	EPSA 514 800/5 5 0,5-WA 40X30 100-40	77516-2342
800	5	5	0,5s	1	EPSA 514 800/5 5 0,5s-WA 40X30 100-40	77516-2346
800	5	10	0,2	1	EPSA 514 800/5 10 0,2-WA 40X30 100-40	77516-2361
800	5	10	0,5	1	EPSA 514 800/5 10 0,5-WA 40X30 100-40	77516-2362
800	5	10	0,5s	1	EPSA 514 800/5 10 0,5s-WA 40X30 100-40	77516-2366
800	5	15	0,2	1	EPSA 514 800/5 15 0,2-WA 40X30 100-40	77516-2371
800	5	15	0,5	1	EPSA 514 800/5 15 0,5-WA 40X30 100-40	77516-2372
800	5	15	0,5s	1	EPSA 514 800/5 15 0,5s-WA 40X30 100-40	77516-2376
800	5	30	0,2	1	EPSA 514 800/5 30 0,2-WA 40X30 100-40	77516-2381

PTB-compliant current transformers for billing purposes

► Technical data, page 320



77516-1831

EP514

Features:

- Window-type current transformer, PTB-compliant
- Primary busbar 50 x 12 mm (40 x 30), supplied with secondary terminal cover (SKLAD)

Primary current	Secondary current	VA	Accuracy class	PU	Product designation	Order no.
800	5	30	0,5	1	EP514 800/5 30 0,5-WA 40X30 100-40	77516-2382
800	5	30	0,5s	1	EP514 800/5 30 0,5s-WA 40X30 100-40	77516-2386
1000	5	5	0,2	1	EP514 1000/5 5 0,2-WA 40X30 100-40	77516-2441
1000	5	5	0,5	1	EP514 1000/5 5 0,5-WA 40X30 100-40	77516-2442
1000	5	5	0,5s	1	EP514 1000/5 5 0,5s-WA 40X30 100-40	77516-2446
1000	5	10	0,2	1	EP514 1000/5 10 0,2-WA 40X30 100-40	77516-2461
1000	5	10	0,5	1	EP514 1000/5 10 0,5-WA 40X30 100-40	77516-2462
1000	5	10	0,5s	1	EP514 1000/5 10 0,5s-WA 40X30 100-40	77516-2466
1000	5	15	0,2	1	EP514 1000/5 15 0,2-WA 40X30 100-40	77516-2471
1000	5	15	0,5	1	EP514 1000/5 15 0,5-WA 40X30 100-40	77516-2472
1000	5	15	0,5s	1	EP514 1000/5 15 0,5s-WA 40X30 100-40	77516-2476
1000	5	30	0,2	1	EP514 1000/5 30 0,2-WA 40X30 100-40	77516-2481
1000	5	30	0,5	1	EP514 1000/5 30 0,5-WA 40X30 100-40	77516-2482
1000	5	30	0,5s	1	EP514 1000/5 30 0,5s-WA 40X30 100-40	77516-2486
1200	5	5	0,2	1	EP514 1200/5 5 0,2-WA 40X30 100-40	77516-2541
1200	5	5	0,5	1	EP514 1200/5 5 0,5-WA 40X30 100-40	77516-2542
1200	5	5	0,5s	1	EP514 1200/5 5 0,5s-WA 40X30 100-40	77516-2546
1200	5	10	0,2	1	EP514 1200/5 10 0,2-WA 40X30 100-40	77516-2561
1200	5	10	0,5	1	EP514 1200/5 10 0,5-WA 40X30 100-40	77516-2562
1200	5	10	0,5s	1	EP514 1200/5 10 0,5s-WA 40X30 100-40	77516-2566
1200	5	15	0,2	1	EP514 1200/5 15 0,2-WA 40X30 100-40	77516-2571
1200	5	15	0,5	1	EP514 1200/5 15 0,5-WA 40X30 100-40	77516-2572
1200	5	15	0,5s	1	EP514 1200/5 15 0,5s-WA 40X30 100-40	77516-2576
1200	5	30	0,2	1	EP514 1200/5 30 0,2-WA 40X30 100-40	77516-2581
1200	5	30	0,5	1	EP514 1200/5 30 0,5-WA 40X30 100-40	77516-2582
1200	5	30	0,5s	1	EP514 1200/5 30 0,5s-WA 40X30 100-40	77516-2586
1250	5	5	0,2	1	EP514 1250/5 5 0,2-WA 40X30 100-40	77516-2641
1250	5	5	0,5	1	EP514 1250/5 5 0,5-WA 40X30 100-40	77516-2642
1250	5	5	0,5s	1	EP514 1250/5 5 0,5s-WA 40X30 100-40	77516-2646
1250	5	10	0,2	1	EP514 1250/5 10 0,2-WA 40X30 100-40	77516-2661
1250	5	10	0,5	1	EP514 1250/5 10 0,5-WA 40X30 100-40	77516-2662
1250	5	10	0,5s	1	EP514 1250/5 10 0,5s-WA 40X30 100-40	77516-2666
1250	5	15	0,2	1	EP514 1250/5 15 0,2-WA 40X30 100-40	77516-2671
1250	5	15	0,5	1	EP514 1250/5 15 0,5-WA 40X30 100-40	77516-2672
1250	5	15	0,5s	1	EP514 1250/5 15 0,5s-WA 40X30 100-40	77516-2676
1250	5	30	0,2	1	EP514 1250/5 30 0,2-WA 40X30 100-40	77516-2681
1250	5	30	0,5	1	EP514 1250/5 30 0,5-WA 40X30 100-40	77516-2682
1250	5	30	0,5s	1	EP514 1250/5 30 0,5s-WA 40X30 100-40	77516-2686



77522-2542

EP614

Features:

- Window-type current transformer, PTB-compliant
- Primary busbar 60 x 12 mm (50 x 30), supplied with secondary terminal cover (SKLAD)

Primary current	Secondary current	VA	Accuracy class	PU	Product designation	Order no.
300	5	2,5	0,5	3	EP614 300/5 2,5 0,5-WA 60X10 100-40	77522-1832
300	5	2,5	0,5s	3	EP614 300/5 2,5 0,5s-WA 60X10 100-40	77522-1836
300	5	5	0,5	3	EP614 300/5 5,0 0,5-WA 60X10 100-40	77522-1842
500	5	5	0,5	3	EP614 500/5 5,0 0,5-WA 60X10 100-40	77522-2042
600	5	10	0,5s	3	EP614 600/5 10 0,5s-WA 60X10 100-40	77522-2166
800	5	10	0,5	3	EP614 800/5 10 0,5-WA 60X10 100-40	77522-2362
300	5	5	0,5s	3	EP614 300/5 5,0 0,5s-WA 60X10 100-40	77522-1846
400	5	2,5	0,2	3	EP614 400/5 2,5 0,2-WA 60X10 100-40	77522-1931
400	5	2,5	0,5	3	EP614 400/5 2,5 0,5-WA 60X10 100-40	77522-1932
400	5	2,5	0,5s	3	EP614 400/5 2,5 0,5s-WA 60X10 100-40	77522-1936
400	5	5	0,2	3	EP614 400/5 5,0 0,2-WA 60X10 100-40	77522-1941

PTB-compliant current transformers for billing purposes

► Technical data, page 320

EPSA 614

Features:

- Window-type current transformer, PTB-compliant
- Primary busbar 60 x 12 mm (50 x 30), supplied with secondary terminal cover (SKLAD)

Primary current	Secondary current	VA	Accuracy class	PU	Product designation	Order no.
400	5	5	0,5	3	EPSA 614 400/5 5,0 0,5-WA 60X10 100-40	77522-1942
400	5	5	0,5s	3	EPSA 614 400/5 5,0 0,5s-WA 60X10 100-40	77522-1946
400	5	10	0,5	3	EPSA 614 400/5 10 0,5-WA 60X10 100-40	77522-1962
400	5	10	0,5s	3	EPSA 614 400/5 10 0,5s-WA 60X10 100-40	77522-1966
500	5	2,5	0,2	3	EPSA 614 500/5 2,5 0,2-WA 60X10 100-40	77522-2031
500	5	2,5	0,5	3	EPSA 614 500/5 2,5 0,5-WA 60X10 100-40	77522-2032
500	5	2,5	0,5s	3	EPSA 614 500/5 2,5 0,5s-WA 60X10 100-40	77522-2036
500	5	5	0,2	3	EPSA 614 500/5 5,0 0,2-WA 60X10 100-40	77522-2041
500	5	5	0,5s	3	EPSA 614 500/5 5,0 0,5s-WA 60X10 100-40	77522-2046
500	5	10	0,5	3	EPSA 614 500/5 10 0,5-WA 60X10 100-40	77522-2062
500	5	10	0,5s	3	EPSA 614 500/5 10 0,5s-WA 60X10 100-40	77522-2066
600	5	5	0,2	3	EPSA 614 600/5 5,0 0,2-WA 60X10 100-40	77522-2141
600	5	5	0,5	3	EPSA 614 600/5 5,0 0,5-WA 60X10 100-40	77522-2142
600	5	5	0,5s	3	EPSA 614 600/5 5,0 0,5s-WA 60X10 100-40	77522-2146
600	5	10	0,2	3	EPSA 614 600/5 10 0,2	77522-2161
600	5	10	0,5	3	EPSA 614 600/5 10 0,5-WA 60X10 100-40	77522-2162
600	5	15	0,5	3	EPSA 614 600/5 15 0,5-WA 60X10 100-40	77522-2172
600	5	15	0,5s	3	EPSA 614 600/5 15 0,5s	77522-2176
750	5	5	0,2	3	EPSA 614 750/5 5,0 0,2-WA 60X10 100-40	77522-2241
750	5	5	0,5	3	EPSA 614 750/5 5,0 0,5-WA 60x10 100-40	77522-2242
750	5	5	0,5s	3	EPSA 614 750/5 5,0 0,5s-WA 60X10 100-40	77522-2246
750	5	10	0,2	3	EPSA 614 750/5 10 0,2	77522-2261
750	5	10	0,5	3	EPSA 614 750/5 10 0,5-WA 60X10 100-40	77522-2262
750	5	10	0,5s	3	EPSA 614 750/5 10 0,5s-WA 60X10 100-40	77522-2266
750	5	15	0,5	3	EPSA 614 750/5 15 0,5-WA 60X10 100-40	77522-2272
750	5	15	0,5s	3	EPSA 614 750/5 15 0,5s-WA 60X10 100-40	77522-2276
800	5	5	0,2	3	EPSA 614 800/5 5,0 0,2-WA 60X10 100-40	77522-2341
800	5	5	0,5	3	EPSA 614 800/5 5,0 0,5-WA 60X10 100-40	77522-2342
800	5	5	0,5s	3	EPSA 614 800/5 5,0 0,5s-WA 60X10 100-40	77522-2346
800	5	10	0,2	3	EPSA 614 800/5 10 0,2	77522-2361
800	5	10	0,5s	3	EPSA 614 800/5 10 0,5s-WA 60X10 100-40	77522-2366
800	5	15	0,5	3	EPSA 614 800/5 15 0,5-WA 60X10 100-40	77522-2372
800	5	15	0,5s	3	EPSA 614 800/5 15 0,5s-WA 60X10 100-40	77522-2376
1000	5	5	0,2	3	EPSA 614 1000/5 5,0 0,2-WA 60x10 100-40	77522-2441
1000	5	5	0,5	3	EPSA 614 1000/5 5,0 0,5-WA 60X10 100-40	77522-2442
1000	5	5	0,5s	3	EPSA 614 1000/5 5,0 0,5s-WA 60x10 100-40	77522-2446
1000	5	10	0,2	3	EPSA 614 1000/5 10 0,2-WA 60X10 100-40	77522-2461
1000	5	10	0,5	3	EPSA 614 1000/5 10 0,5-WA 60X10 100-40	77522-2462
1000	5	10	0,5s	3	EPSA 614 1000/5 10 0,5s-WA 60X10 100-40	77522-2466
1000	5	15	0,5	3	EPSA 614 1000/5 15 0,5-WA 60X10 100-40	77522-2472
1000	5	15	0,5s	3	EPSA 614 1000/5 15 0,5s-WA 60X10 100-40	77522-2476
1200	5	5	0,2	3	EPSA 614 1200/5 10 0,2-WA 60X10 100-40	77522-2541
1200	5	5	0,5	3	EPSA 614 1200/5 5 0,5-WA 60x10 100-40	77522-2542
1200	5	5	0,5s	3	EPSA 614 1200/5 5 0,5s - WA 60X10 100-40	77522-2546
1200	5	10	0,2	3	EPSA 614 1200/5 10 0,2-WA 60X10 100-40	77522-2561
1200	5	10	0,5	3	EPSA 614 1200/5 10 0,5-WA 60X10 100-40	77522-2562
1200	5	10	0,5s	3	EPSA 614 1200/5 10 0,5s-WA 60X10 100-40	77522-2566
1200	5	15	0,2	3	EPSA 614 1200/5 15 0,2-WA 60X10 100-40	77522-2571
1200	5	15	0,5	3	EPSA 614 1200/5 15 0,5-WA 60X10 100-40	77522-2572
1200	5	15	0,5s	3	EPSA 614 1200/5 15 0,5s-WA 60X10 100-40	77522-2576
1200	5	30	0,5	3	EPSA 614 1200/5 30 0,5-WA 60X10 100-40	77522-2582
1200	5	30	0,5s	3	EPSA 614 1200/5 30 0,5s-WA 60X10 100-40	77522-2586
1250	5	5	0,2	3	EPSA 614 1250/5 10 0,2-WA 60X10 100-40	77522-2641
1250	5	5	0,5	3	EPSA 614 1250/5 10 0,5-WA 60X10 100-40	77522-2642
1250	5	5	0,5s	3	EPSA 614 1250/5 5 0,5s-WA 60X10 100-40	77522-2646

PTB-compliant current transformers for billing purposes

► Technical data, page 320

EPSA 614

Features:

- Window-type current transformer, PTB-compliant
- Primary busbar 60 x 12 mm (50 x 30), supplied with secondary terminal cover (SKLAD)

Primary current	Secondary current	VA	Accuracy class	PU	Product designation	Order no.
1250	5	10	0,2	3	EPSA 614 1250/5 10 0,2-WA 60X10 100-40	77522-2661
1250	5	10	0,5	3	EPSA 614 1250/5 10 0,5-WA 60X10 100-40	77522-2662
1250	5	10	0,5s	3	EPSA 614 1250/5 10 0,5s-WA 60X10 100-40	77522-2666
1250	5	15	0,2	3	EPSA 614 1250/5 15 0,2-WA 60X10 100-40	77522-2671
1250	5	15	0,5	3	EPSA 614 1250/5 15 0,5-WA 60X10 100-40	77522-2672
1250	5	15	0,5s	3	EPSA 614 1250/5 15 0,5s-WA 60X10 100-40	77522-2676
1250	5	30	0,2	3	EPSA 614 1250/5 30 0,2-WA 60X10 100-40	77522-2681
1250	5	30	0,5	3	EPSA 614 1250/5 30 0,5-WA 60X10 100-40	77522-2682
1250	5	30	0,5s	3	EPSA 614 1250/5 30 0,5s-WA 60X10 100-40	77522-2686
1500	5	5	0,2	3	EPSA 614 1500/5 10 0,2-WA 60X10 100-40	77522-2741
1500	5	5	0,5	3	EPSA 614 1500/5 10 0,5-WA 60X10 100-40	77522-2742
1500	5	5	0,5s	3	EPSA 614 1500/5 5 0,5s-WA 60X10 100-40	77522-2746
1500	5	10	0,2	3	EPSA 614 1500/5 10 0,2-WA 60X10 100-40	77522-2761
1500	5	10	0,5	3	EPSA 614 1500/5 10 0,5-WA 60X10 100-40	77522-2762
1500	5	10	0,5s	3	EPSA 614 1500/5 10 0,5s-WA 60X10 100-40	77522-2766
1500	5	15	0,2	3	EPSA 614 1500/5 15 0,2-WA 60X10 100-40	77522-2771
1500	5	15	0,5	3	EPSA 614 1500/5 15 0,5-WA 60X10 100-40	77522-2772
1500	5	15	0,5s	3	EPSA 614 1500/5 15 0,5s-WA 60X10 100-40	77522-2776
1500	5	30	0,2	3	EPSA 614 1500/5 30 0,2-WA 60X10 100-40	77522-2781
1500	5	30	0,5	3	EPSA 614 1500/5 30 0,5-WA 60X10 100-40	77522-2782
1500	5	30	0,5s	3	EPSA 614 1500/5 30 0,5s-WA 60X10 100-40	77522-2786



77523-2032

EPSA 634

Features:

- Window-type current transformer, PTB-compliant
- Primary busbar 60 x 30 mm (50 x 40), supplied with secondary terminal cover (SKLAD)

Primary current	Secondary current	VA	Accuracy class	PU	Product designation	Order no.
400	5	2,5	0,2	3	EPSA 634 400/5 2,5 0,2-WA 60X30 100-40	77523-1931
400	5	2,5	0,5	3	EPSA 634 400/5 2,5 0,5-WA 60X30 100-40	77523-1932
400	5	2,5	0,5s	3	EPSA 634 400/5 2,5 0,5s-WA 60X30 100-40	77523-1936
400	5	5	0,5	3	EPSA 634 400/5 5 0,5-WA 60X30 100-40	77523-1942
400	5	5	0,5s	3	EPSA 634 400/5 5 0,5s-WA 60X30 100-40	77523-1946
500	5	2,5	0,2	3	EPSA 634 500/5 2,5 0,2-WA 60X30 100-40	77523-2031
500	5	2,5	0,5	3	EPSA 634 500/5 2,5 0,5-WA 60X30 100-40	77523-2032
500	5	2,5	0,5s	3	EPSA 634 500/5 2,5 0,5s-WA 60X30 100-40	77523-2036
500	5	5	0,2	3	EPSA 634 500/5 5 0,2-WA 60X30 100-40	77523-2041
500	5	5	0,5	3	EPSA 634 500/5 5 0,5-WA 60X30 100-40	77523-2042
500	5	5	0,5s	3	EPSA 634 500/5 5 0,5s-WA 60X30 100-40	77523-2046
500	5	10	0,5	3	EPSA 634 500/5 10 0,5-WA 60X30 100-40	77523-2062
500	5	10	0,5s	3	EPSA 634 500/5 10 0,5s-WA 60X30 100-40	77523-2066
600	5	2,5	0,2	3	EPSA 634 600/5 2,5 0,2-WA 60X30 100-40	77523-2131
600	5	5	0,2	3	EPSA 634 600/5 5 0,2-WA 60X30 100-40	77523-2141
750	5	2,5	0,2	3	EPSA 634 750/5 2,5 0,2-WA 60X30 100-40	77523-2231
750	5	5	0,2	3	EPSA 634 750/5 5 0,2-WA 60X30 100-40	77523-2241
750	5	10	0,2	3	EPSA 634 750/5 10 0,2-WA 60X30 100-40	77523-2261
800	5	2,5	0,2	3	EPSA 634 800/5 2,5 0,2-WA 60X30 100-40	77523-2331
800	5	5	0,2	3	EPSA 634 800/5 5 0,2-WA 60X30 100-40	77523-2341
800	5	5	0,5	3	EPSA 634 800/5 5 0,5-WA 60X30 100-40	77523-2342
800	5	5	0,5s	3	EPSA 634 800/5 5 0,5s-WA 60X30 100-40	77523-2346
800	5	10	0,2	3	EPSA 634 800/5 10 0,2-WA 60X30 100-40	77523-2361
800	5	10	0,5	3	EPSA 634 800/5 10 0,5-WA 60X30 100-40	77523-2362
800	5	10	0,5s	3	EPSA 634 800/5 10 0,5s-WA 60X30 100-40	77523-2366
800	5	15	0,5	3	EPSA 634 800/5 15 0,5-WA 60X30 100-40	77523-2372
800	5	15	0,5s	3	EPSA 634 800/5 15 0,5s-WA 60X30 100-40	77523-2376
1000	5	5	0,2	3	EPSA 634 1000/5 5 0,2-WA 60X30 100-40	77523-2441

PTB-compliant current transformers for billing purposes

► Technical data, page 320



77523-2032

EPSA 634

Features:

- Window-type current transformer, PTB-compliant
- Primary busbar 60 x 30 mm (50 x 40), supplied with secondary terminal cover (SKLAD)

Primary current	Secondary current	VA	Accuracy class	PU	Product designation	Order no.
1000	5	5	0,5	3	EPSA 634 1000/5 5 0,5-WA 60X30 100-40	<u>77523-2442</u>
1000	5	5	0,5s	3	EPSA 634 1000/5 5,0 0,5s-WA 60X30 100-40	<u>77523-2446</u>
1000	5	10	0,2	3	EPSA 634 1000/5 10 0,2-WA 60X30 100-40	<u>77523-2461</u>
1000	5	10	0,5	3	EPSA 634 1000/5 10 0,5-WA 60X30 100-40	<u>77523-2462</u>
1000	5	10	0,5s	3	EPSA 634 1000/5 10 0,5s-WA 60X30 100-40	<u>77523-2466</u>
1000	5	15	0,5	3	EPSA 634 1000/5 15 0,5-WA 60X30 100-40	<u>77523-2472</u>
1000	5	15	0,5s	3	EPSA 634 1000/5 15 0,5s-WA 60X30 100-40	<u>77523-2476</u>
1000	5	30	0,5	3	EPSA 634 1000/5 30 0,5-WA 60X30 100-40	<u>77523-2482</u>
1000	5	30	0,5s	3	EPSA 634 1000/5 30 0,5s-WA 60X30 100-40	<u>77523-2486</u>
1200	5	5	0,2	3	EPSA 634 1200/5 5,0 0,2-WA 60X30 100-40	<u>77523-2541</u>
1200	5	5	0,5	3	EPSA 634 1200/5 5 0,5-WA 60X30 100-40	<u>77523-2542</u>
1200	5	5	0,5s	3	EPSA 634 1200/5 5,0 0,5s-WA 60X30 100-40	<u>77523-2546</u>
1200	5	10	0,2	3	EPSA 634 1200/5 10 0,2-WA 60X30 100-40	<u>77523-2561</u>
1200	5	10	0,5	3	EPSA 634 1200/5 10 0,5-WA 60X30 100-40	<u>77523-2562</u>
1200	5	10	0,5s	3	EPSA 634 1200/5 10 0,5s-WA 60X30 100-40	<u>77523-2566</u>
1200	5	15	0,5	3	EPSA 634 1200/5 15 0,5-WA 60X30 100-40	<u>77523-2572</u>
1200	5	15	0,5s	3	EPSA 634 1200/5 15 0,5s-WA 60X30 100-40	<u>77523-2576</u>
1200	5	30	0,5	3	EPSA 634 1200/5 30 0,5-WA 60X30 100-40	<u>77523-2582</u>
1200	5	30	0,5s	3	EPSA 634 1200/5 30 0,5s-WA 60X30 100-40	<u>77523-2586</u>
1250	5	5	0,2	3	EPSA 634 1250/5 5,0 0,2-WA 60X30 100-40	<u>77523-2641</u>
1250	5	5	0,5	3	EPSA 634 1250/5 5,0 0,5-WA 60X30 100-40	<u>77523-2642</u>
1250	5	5	0,5s	3	EPSA 634 1250/5 5,0 0,5s-WA 60X30 100-40	<u>77523-2646</u>
1250	5	10	0,2	3	EPSA 634 1250/5 10 0,2-WA 60X30 100-40	<u>77523-2661</u>
1250	5	10	0,5	3	EPSA 634 1250/5 10 0,5-WA 60X30 100-40	<u>77523-2662</u>
1250	5	10	0,5s	3	EPSA 634 1250/5 10 0,5s-WA 60X30 100-40	<u>77523-2666</u>
1250	5	15	0,2	3	EPSA 634 1250/5 15 0,2-WA 60X30 100-40	<u>77523-2671</u>
1250	5	15	0,5	3	EPSA 634 1250/5 15 0,5-WA 60X30 100-40	<u>77523-2672</u>
1250	5	15	0,5s	3	EPSA 634 1250/5 15 0,5s-WA 60X30 100-40	<u>77523-2676</u>
1250	5	30	0,5	3	EPSA 634 1250/5 30 0,5-WA 60X30 100-40	<u>77523-2682</u>
1250	5	30	0,5s	3	EPSA 634 1250/5 30 0,5s-WA 60X30 100-40	<u>77523-2686</u>
1500	5	5	0,2	3	EPSA 634 1500/5 5,0 0,2-WA 60X30 100-40	<u>77523-2741</u>
1500	5	5	0,5	3	EPSA 634 1500/5 5,0 0,5-WA 60X30 100-40	<u>77523-2742</u>
1500	5	5	0,5s	3	EPSA 634 1500/5 5,0 0,5s-WA 60X30 100-40	<u>77523-2746</u>
1500	5	10	0,2	3	EPSA 634 1500/5 10 0,2-WA 60X30 100-40	<u>77523-2761</u>
1500	5	10	0,5	3	EPSA 634 1500/5 10 0,5-WA 60X30 100-40	<u>77523-2762</u>
1500	5	10	0,5s	3	EPSA 634 1500/5 10 0,5s-WA 60X30 100-40	<u>77523-2766</u>
1500	5	15	0,2	3	EPSA 634 1500/5 15 0,2-WA 60X30 100-40	<u>77523-2771</u>
1500	5	15	0,5	3	EPSA 634 1500/5 15 0,5-WA 60X30 100-40	<u>77523-2772</u>
1500	5	15	0,5s	3	EPSA 634 1500/5 15 0,5s-WA 60X30 100-40	<u>77523-2776</u>
1500	5	30	0,5	3	EPSA 634 1500/5 30 0,5-WA 60X30 100-40	<u>77523-2782</u>
1500	5	30	0,5s	3	EPSA 634 1500/5 30 0,5s-WA 60X30 100-40	<u>77523-2786</u>
1600	5	5	0,2	3	EPSA 634 1600/5 5,0 0,2-WA 60X30 100-40	<u>77523-2841</u>
1600	5	5	0,5	3	EPSA 634 1600/5 5,0 0,5-WA 60X30 100-40	<u>77523-2842</u>
1600	5	5	0,5s	3	EPSA 634 1600/5 5,0 0,5s-WA 60X30 100-40	<u>77523-2846</u>
1600	5	10	0,2	3	EPSA 634 1600/5 10 0,2-WA 60X30 100-40	<u>77523-2861</u>
1600	5	10	0,5	3	EPSA 634 1600/5 10 0,5-WA 60X30 100-40	<u>77523-2862</u>
1600	5	10	0,5s	3	EPSA 634 1600/5 10 0,5s-WA 60X30 100-40	<u>77523-2866</u>
1600	5	15	0,2	3	EPSA 634 1600/5 15 0,2-WA 60X30 100-40	<u>77523-2871</u>
1600	5	15	0,5	3	EPSA 634 1600/5 15 0,5-WA 60X30 100-40	<u>77523-2872</u>
1600	5	15	0,5s	3	EPSA 634 1600/5 15 0,5s-WA 60X30 100-40	<u>77523-2876</u>
1600	5	30	0,5	3	EPSA 634 1600/5 30 0,5-WA 60X30 100-40	<u>77523-2882</u>
1600	5	30	0,5s	3	EPSA 634 1600/5 30 0,5s-WA 60X30 100-40	<u>77523-2886</u>
2000	5	5	0,2	3	EPSA 634 2000/5 5,0 0,2-WA 60X30 100-40	<u>77523-2941</u>
2000	5	5	0,5	3	EPSA 634 2000/5 5,0 0,5-WA 60X30 100-40	<u>77523-2942</u>
2000	5	5	0,5s	3	EPSA 634 2000/5 5,0 0,5s-WA 60X30 100-40	<u>77523-2946</u>

PTB-compliant current transformers for billing purposes

► Technical data, page 320



77523-2032

EPSA 634

Features:

- Window-type current transformer, PTB-compliant
- Primary busbar 60 x 30 mm (50 x 40), supplied with secondary terminal cover (SKLAD)

Primary current	Secondary current	VA	Accuracy class	PU	Product designation	Order no.
2000	5	10	0,2	3	EPSA 634 2000/5 10 0,2-WA 60X30 100-40	77523-2961
2000	5	10	0,5	3	EPSA 634 2000/5 10 0,5-WA 60X30 100-40	77523-2962
2000	5	10	0,5s	3	EPSA 634 2000/5 10 0,5s-WA 60X30 100-40	77523-2966
2000	5	15	0,2	3	EPSA 634 2000/5 15 0,2-WA 60X30 100-40	77523-2971
2000	5	15	0,5	3	EPSA 634 2000/5 15 0,5-WA 60X30 100-40	77523-2972
2000	5	15	0,5s	3	EPSA 634 2000/5 15 0,5s-WA 60X30 100-40	77523-2976
2000	5	30	0,5	3	EPSA 634 2000/5 30 0,5-WA 60X30 100-40	77523-2982
2000	5	30	0,5s	3	EPSA 634 2000/5 30 0,5s-WA 60X30 100-40	77523-2986



77524-1932

EPSA 814

Features:

- Window-type current transformer, PTB-compliant
- Primary busbar 80 x 10 mm (60 x 30), supplied with secondary terminal cover (SKLAD)

Primary current	Secondary current	VA	Accuracy class	PU	Product designation	Order no.
400	5	2,5	0,5	3	EPSA 814 400/5 2,5 0,5-WA 80X10 100-40	77524-1932
400	5	2,5	0,5s	3	EPSA 814 400/5 2,5 0,5s-WA 80X10 100-40	77524-1936
400	5	5	0,5	3	EPSA 814 400/5 5,0 0,5-WA 80X10 100-40	77524-1942
400	5	5	0,5s	3	EPSA 814 400/5 5 0,5s-WA 80X10 100-40	77524-1946
500	5	2,5	0,2	3	EPSA 814 500/5 2,5 0,2-WA 80X10 100-40	77524-2031
500	5	2,5	0,5	3	EPSA 814 500/5 2,5 0,5-WA 80X10 100-40	77524-2032
500	5	2,5	0,5s	3	EPSA 814 500/5 2,5 0,5s-WA 80X10 100-40	77524-2036
500	5	5	0,5	3	EPSA 814 500/5 5,0 0,5-WA 80X10 100-40	77524-2042
500	5	5	0,5s	3	EPSA 814 500/5 5 0,5s-WA 80X10 100-40	77524-2046
600	5	2,5	0,2	3	EPSA 814 600/5 2,5 0,2-WA 80X10 100-40	77524-2131
600	5	2,5	0,5	3	EPSA 814 600/5 2,5 0,5-WA 80X10 100-40	77524-2132
600	5	2,5	0,5s	3	EPSA 814 600/5 2,5 0,5s-WA 80X10 100-40	77524-2136
600	5	5	0,5	3	EPSA 814 600/5 5 0,5-WA 80x10 100-40	77524-2142
600	5	5	0,5s	3	EPSA 814 600/5 5 0,5s-WA 80X10 100-40	77524-2146
600	5	10	0,5	3	EPSA 814 600/5 10 0,5-WA 80X10 100-40	77524-2162
750	5	2,5	0,2	3	EPSA 814 750/5 2,5 0,2-WA 80X10 100-40	77524-2231
750	5	2,5	0,5	3	EPSA 814 750/5 2,5 0,5-WA 80X10 100-40	77524-2232
750	5	2,5	0,5s	3	EPSA 814 750/5 2,5 0,5s-WA 80X10 100-40	77524-2236
750	5	5	0,2	3	EPSA 814 750/5 5,0 0,2-WA 80X10 100-40	77524-2241
750	5	5	0,5	3	EPSA 814 750/5 5,0 0,5-WA 80X10 100-40	77524-2242
750	5	5	0,5s	3	EPSA 814 750/5 5,0 0,5s-WA 80X10 100-40	77524-2246
750	5	10	0,5	3	EPSA 814 750/5 10 0,5-WA 80X10 100-40	77524-2262
750	5	10	0,5s	3	EPSA 814 750/5 10 0,5s-WA 80X10 100-40	77524-2266
800	5	2,5	0,2	3	EPSA 814 800/5 2,5 0,2-WA 80X10 100-40	77524-2331
800	5	5	0,2	3	EPSA 814 800/5 5,0 0,2-WA 80X10 100-40	77524-2341
800	5	5	0,5	3	EPSA 814 800/5 5,0 0,5-WA 80X10 100-40	77524-2342
800	5	5	0,5s	3	EPSA 814 800/5 5,0 0,5s-WA 80X10 100-40	77524-2346
800	5	10	0,5	3	EPSA 814 800/5 10 0,5-WA 80X10 100-40	77524-2362
800	5	10	0,5s	3	EPSA 814 8000/5 10 0,5s-WA 80X10 100-40	77524-2366
1000	5	2,5	0,2	3	EPSA 814 1000/5 2,5 0,2-WA 80x10 100-40	77524-2431
1000	5	5	0,2	3	EPSA 814 1000/5 5,0 0,2-WA 80X10 100-40	77524-2441
1000	5	5	0,5	3	EPSA 814 1000/5 5,0 0,5-WA 80X10 100-40	77524-2442
1000	5	5	0,5s	3	EPSA 814 1000/5 5,0 0,5s-WA 80X10 100-40	77524-2446
1000	5	10	0,5	3	EPSA 814 1000/5 10 0,5-WA 80X10 100-40	77524-2462
1000	5	10	0,5s	3	EPSA 814 1000/5 10 0,5s-WA 80X10 100-40	77524-2466
1000	5	15	0,5	3	EPSA 814 1000/5 15 0,5-WA 80X10 100-40	77524-2472
1000	5	15	0,5s	3	EPSA 814 1000/5 15 0,5s-WA 80X10 100-40	77524-2476
1200	5	2,5	0,2	3	EPSA 814 1200/5 2,5 0,2-WA 80X10 100-40	77524-2531
1200	5	5	0,2	3	EPSA 814 1200/5 5,0 0,2-WA 80X10 100-40	77524-2541
1200	5	5	0,5	3	EPSA 814 1200/5 5,0 0,5-WA 80X10 100-40	77524-2542
1200	5	5	0,5s	3	EPSA 814 1200/5 5,0 0,5s-WA 80X10 100-40	77524-2546

PTB-compliant current transformers for billing purposes

► Technical data, page 320



77524-1932

EPSA 814

Features:

- Window-type current transformer, PTB-compliant
- Primary busbar 80 x 10 mm (60 x 30), supplied with secondary terminal cover (SKLAD)

Primary current	Secondary current	VA	Accuracy class	PU	Product designation	Order no.
1200	5	10	0,5	3	EPSA 814 1200/5 10 0,5-WA 80X10 100-40	77524-2562
1200	5	10	0,5s	3	EPSA 814 1200/5 10 0,5s-WA 80X10 100-40	77524-2566
1200	5	15	0,5	3	EPSA 814 1200/5 15 0,5-WA 80X10 100-40	77524-2572
1200	5	15	0,5s	3	EPSA 814 1200/5 15 0,5s-WA 80X10 100-40	77524-2576
1250	5	2,5	0,2	3	EPSA 814 1250/5 2,5 0,2-WA 80X10 100-40	77524-2631
1250	5	5	0,2	3	EPSA 814 1250/5 5,0 0,2-WA 80X10 100-40	77524-2641
1250	5	5	0,5	3	EPSA 814 1250/5 5,0 0,5-WA 80X10 100-40	77524-2642
1250	5	5	0,5s	3	EPSA 814 1250/5 5,0 0,5s-WA 80X10 100-40	77524-2646
1250	5	10	0,5	3	EPSA 814 1250/5 10 0,5-WA 80X10 100-40	77524-2662
1250	5	10	0,5s	3	EPSA 814 1250/5 10 0,5s-WA 80X10 100-40	77524-2666
1250	5	15	0,5	3	EPSA 814 1250/5 15 0,5-WA 80X10 100-40	77524-2672
1250	5	15	0,5s	3	EPSA 814 1250/5 15 0,5s-WA 80X10 100-40	77524-2676
1500	5	2,5	0,2	3	EPSA 814 1500/5 2,5 0,2-WA 80X10 100-40	77524-2731
1500	5	5	0,2	3	EPSA 814 1500/5 5,0 0,2-WA 80X10 100-40	77524-2741
1500	5	5	0,5	3	EPSA 814 1500/5 5,0 0,5-WA 80X10 100-40	77524-2742
1500	5	5	0,5s	3	EPSA 814 1500/5 5,0 0,5s-WA 80X10 100-40	77524-2746
1500	5	10	0,5	3	EPSA 814 1500/5 10 0,5-WA 80X10 100-40	77524-2762
1500	5	10	0,5s	3	EPSA 814 1500/5 10 0,5s-WA 80X10 100-40	77524-2766
1500	5	15	0,5	3	EPSA 814 1500/5 15 0,5-WA 80X10 100-40	77524-2772
1500	5	15	0,5s	3	EPSA 814 1500/5 15 0,5s-WA 80X10 100-40	77524-2776
1600	5	2,5	0,2	3	EPSA 814 1600/5 2,5 0,2-WA 80X10 100-40	77524-2831
1600	5	5	0,2	3	EPSA 814 1600/5 5,0 0,2-WA 80X10 100-40	77524-2841
1600	5	5	0,5	3	EPSA 814 1600/5 5,0 0,5-WA 80X10 100-40	77524-2842
1600	5	5	0,5s	3	EPSA 814 1600/5 5,0 0,5s-WA 80X10 100-40	77524-2846
1600	5	10	0,5	3	EPSA 814 1600/5 10 0,5-WA 80X10 100-40	77524-2862
1600	5	10	0,5s	3	EPSA 814 1600/5 10 0,5s-WA 80X10 100-40	77524-2866
1600	5	15	0,5	3	EPSA 814 1600/5 15 0,5-WA 80X10 100-40	77524-2872
1600	5	15	0,5s	3	EPSA 814 1600/5 15 0,5s-WA 80X10 100-40	77524-2876



77525-3072

EPSA 1034

Features:

- Window-type current transformer, PTB-compliant
- Primary busbar 20 x 100 x 10 mm (80 x 50), supplied with secondary terminal cover (SKLAD)

Primary current	Secondary current	VA	Accuracy class	PU	Product designation	Order no.
600	5	2,5	0,5	1	EPSA 1034 600/5 2,5 0,5-WA2X100X10 135-40	77525-2132
600	5	5	0,5	1	EPSA 1034 600/5 5,0 0,5-WA2X100X10 135-40	77525-2142
600	5	5	0,5s	1	EPSA 1034 600/5 5,0 0,5s-WA2X100X10 135-40	77525-2146
600	5	10	0,5	1	EPSA 1034 600/5 10 0,5-WA2X100X10 135-40	77525-2162
600	5	10	0,5s	1	EPSA 1034 600/5 10 0,5s-WA2X100X10 135-40	77525-2166
750	5	2,5	0,2	1	EPSA 1034 750/5 2,5 0,2-WA2X100X10 135-40	77525-2231
750	5	2,5	0,5	1	EPSA 1034 750/5 2,5 0,5-WA2X100X10 135-40	77525-2232
750	5	2,5	0,5s	1	EPSA 1034 750/5 2,5 0,5s-WA2X100X10 135-40	77525-2236
750	5	5	0,5	1	EPSA 1034 750/5 5,0 0,5-WA2X100X10 135-40	77525-2242
750	5	5	0,5s	1	EPSA 1034 750/5 5,0 0,5s-WA2X100X10 135-40	77525-2246
750	5	10	0,5	1	EPSA 1034 750/5 10 0,5-WA2X100X10 135-40	77525-2262
750	5	10	0,5s	1	EPSA 1034 750/5 10 0,5s-WA2X100X10 135-40	77525-2266
800	5	2,5	0,2	1	EPSA 1034 800/5 2,5 0,2-WA2X100X10 135-40	77525-2331
800	5	2,5	0,5	1	EPSA 1034 800/5 2,5 0,5-WA2X100X10 135-40	77525-2332
800	5	2,5	0,5s	1	EPSA 1034 800/5 2,5 0,5s-WA2X100X10 135-40	77525-2336
800	5	5	0,5	1	EPSA 1034 800/5 5,0 0,5-WA2X100X10 135-40	77525-2342
800	5	5	0,5s	1	EPSA 1034 800/5 5,0 0,5s-WA2X100X10 135-40	77525-2346
800	5	10	0,5	1	EPSA 1034 800/5 10 0,5-WA2X100X10 135-40	77525-2362
800	5	10	0,5s	1	EPSA 1034 800/5 10 0,5s-WA2X100X10 135-40	77525-2366
800	5	15	0,5	1	EPSA 1034 800/5 15 0,5-WA2X100X10 135-40	77525-2372
800	5	15	0,5s	1	EPSA 1034 800/5 15 0,5s-WA2X100X10 135-40	77525-2376

PTB-compliant current transformers for billing purposes

► Technical data, page 320



77525-3072

EPSA 1034

Features:

- Window-type current transformer, PTB-compliant
- Primary busbar 20 x 100 x 10 mm (80 x 50), supplied with secondary terminal cover (SKLAD)

Primary current	Secondary current	VA	Accuracy class	PU	Product designation	Order no.
1000	5	2,5	0,2	1	EPSA 1034 1000/5 2,5 0,2-WA2X100X10 135-40	77525-2431
1000	5	2,5	0,5	1	EPSA 1034 1000/5 2,5 0,5-WA2X100X10 135-40	77525-2432
1000	5	2,5	0,5s	1	EPSA 1034 1000/5 2,5 0,5s-WA2X100X10 135-40	77525-2436
1000	5	5	0,2	1	EPSA 1034 1000/5 5 0,2-WA2X100X10 135-40	77525-2441
1000	5	5	0,5	1	EPSA 1034 1000/5 5 0,5-WA2X100X10 135-40	77525-2442
1000	5	5	0,5s	1	EPSA 1034 1000/5 5 0,5S-WA2x100x110	77525-2446
1000	5	10	0,5	1	EPSA 1034 1000/5 10 0,5-WA2X100X10 135-40	77525-2462
1000	5	10	0,5s	1	EPSA 1034 1000/5 10 0,5SWA2X100X10 135-40	77525-2466
1000	5	15	0,5	1	EPSA 1034 1000/5 15 0,5-WA2X100X10 135-40	77525-2472
1000	5	15	0,5s	1	EPSA 1034 1000/5 15 0,5SWA2X100X10 135-40	77525-2476
1200	5	2,5	0,2	1	EPSA 1034 1200/5 2,5 0,2-WA2X100X10 135-40	77525-2531
1200	5	5	0,2	1	EPSA 1034 1200/5 5 0,2-WA2X100X10 135-40	77525-2541
1200	5	5	0,5	1	EPSA 1034 1200/5 5 0,5-WA2X100X10 135-40	77525-2542
1200	5	5	0,5s	1	EPSA 1034 1200/5 5 0,5SWA2X100X10 135-40	77525-2546
1200	5	10	0,2	1	EPSA 1034 1200/5 10 0,2-WA2X100X10 135-40	77525-2561
1200	5	10	0,5	1	EPSA 1034 1200/5 10 0,5-WA2X100X10 135-40	77525-2562
1200	5	10	0,5s	1	EPSA 1034 1200/5 10 0,5s-WA2X100X10 135-40	77525-2566
1200	5	15	0,5	1	EPSA 1034 1200/5 15 0,5-WA2X100X10 135-40	77525-2572
1200	5	15	0,5s	1	EPSA 1034 1200/5 15 0,5s-WA2X100X10 135-40	77525-2576
1250	5	2,5	0,2	1	EPSA 1034 1250/5 2,5 0,2s-WA2X100X10 135-40	77525-2631
1250	5	2,5	0,5s	1	EPSA 1034 1250/5 2,5 0,5s-WA2X100X10 135-40	77525-2636
1250	5	5	0,2	1	EPSA 1034 1250/5 5 0,2-WA2X100X10 135-40	77525-2641
1250	5	5	0,5	1	EPSA 1034 1250 5 0,5-WA 80x10 100-40	77525-2642
1250	5	5	0,5s	1	EPSA 1034 1250/5 5 0,5SWA2X100X10 135-40	77525-2646
1250	5	10	0,2	1	EPSA 1034 1250/5 10 0,2-WA2X100X10 135-40	77525-2661
1250	5	10	0,5	1	EPSA 1034 1250/5 10 0,5-WA2X100X10 135-40	77525-2662
1250	5	10	0,5s	1	EPSA 1034 1250/5 10 0,5SWA2X100X10 135-40	77525-2666
1250	5	15	0,5	1	EPSA 1034 1250/5 15 0,5-WA2X100X10 135-40	77525-2672
1250	5	15	0,5s	1	EPSA 1034 1250/5 15 0,5SWA2X100X10 135-40	77525-2676
1500	5	5	0,2	1	EPSA 1034 1500/5 5 0,2-WA2X100X10 135-40	77525-2741
1500	5	5	0,5	1	EPSA 1034 1500/5 5 0,5-WA2X100X10 135-40	77525-2742
1500	5	5	0,5s	1	EPSA 1034 1500/5 5 0,5S-WA2X100X10 135-40	77525-2746
1500	5	10	0,2	1	EPSA 1034 1500/5 10 0,2-WA2X100X10 135-40	77525-2761
1500	5	10	0,5	1	EPSA 1034 1500/5 10 0,5-WA2X100X10 135-40	77525-2762
1500	5	10	0,5s	1	EPSA 1034 1500/5 10 0,5SWA2X100X10 135-40	77525-2766
1500	5	15	0,5	1	EPSA 1034 1500/5 15 0,5-WA2X100X10 135-40	77525-2772
1500	5	15	0,5s	1	EPSA 1034 1500/5 15 0,5s-WA2X100X10 135-40	77525-2776
1500	5	30	0,5	1	EPSA 1034 1500/5 30 0,5-WA2X100X10 135-40	77525-2782
1500	5	30	0,5s	1	EPSA 1034 1500/5 30 0,5s-WA2X100X10 135-40	77525-2786
1600	5	5	0,2	1	EPSA 1034 1600/5 5 0,2-WA2X100X10 135-40	77525-2841
1600	5	5	0,5	1	EPSA 1034 1600/5 5 0,5-WA2X100X10 135-40	77525-2842
1600	5	5	0,5s	1	EPSA 1034 1600/5 5 0,5S WA2X100X10	77525-2846
1600	5	10	0,2	1	EPSA 1034 1600/5 10 0,2-WA2X100X10 135-40	77525-2861
1600	5	10	0,5	1	EPSA 1034 1600/5 10 0,5-WA2X100X10 135-40	77525-2862
1600	5	10	0,5s	1	EPSA 1034 1600/5 10 0,5s-WA2X100X10 135-40	77525-2866
1600	5	15	0,5	1	EPSA 1034 1600/5 15 0,5-WA2X100X10 135-40	77525-2872
1600	5	15	0,5s	1	EPSA 1034 1600/5 15 0,5s-WA2X100X10 135-40	77525-2876
1600	5	30	0,5	1	EPSA 1034 1600/5 30 0,5-WA2X100X10 135-40	77525-2882
1600	5	30	0,5s	1	EPSA 1034 1600/5 30 0,5s-WA2X100X10 135-40	77525-2886
2000	5	5	0,2	1	EPSA 1034 2000/5 5 0,2-WA2X100X10 135-40	77525-2941
2000	5	5	0,5	1	EPSA 1034 2000/5 5 0,5-WA2X100X10 135-40	77525-2942
2000	5	5	0,5s	1	EPSA 1034 2000/5 5 0,5S-WA2X100X10 135-40	77525-2946
2000	5	10	0,2	1	EPSA 1034 2000/5 10 0,2-WA2X100X10 135-40	77525-2961
2000	5	10	0,5	1	EPSA 1034 2000/5 10 0,5-WA2X100X10 135-40	77525-2962
2000	5	10	0,5s	1	EPSA 1034 2000/5 10 0,5SWA2X100X10 135-40	77525-2966

PTB-compliant current transformers for billing purposes

► Technical data, page 320



77525-3072

EPSA 1034

Features:

- Window-type current transformer, PTB-compliant
- Primary busbar 20 x 100 x 10 mm (80 x 50), supplied with secondary terminal cover (SKLAD)

Primary current	Secondary current	VA	Accuracy class	PU	Product designation	Order no.
2000	5	15	0,2	1	EPSA 1034 2000/5 15 0,2-WA2X100X10 135-40	77525-2971
2000	5	15	0,5	1	EPSA 1034 2000/5 15 0,5-WA2X100X10 135-40	77525-2972
2000	5	15	0,5s	1	EPSA 1034 2000/5 15 0,5s-WA2X100X10 135-40	77525-2976
2000	5	30	0,5	1	EPSA 1034 2000/5 30 0,5-WA2X100X10 135-40	77525-2982
2000	5	30	0,5s	1	EPSA 1034 2000/5 30 0,5s-WA2X100X10 135-40	77525-2986
2400	5	5	0,2	1	EPSA 1034 2400/5 5 0,2-WA2X100X10 135-40	77525-3041
2400	5	5	0,5	1	EPSA 1034 2400/5 5 0,5-WA2X100X10 135-40	77525-3042
2400	5	5	0,5s	1	EPSA 1034 2400/5 5 0,5s-WA2X100X10 135-40	77525-3046
2400	5	10	0,2	1	EPSA 1034 2400/5 10 0,2-WA2X100X10 135-40	77525-3061
2400	5	10	0,5	1	EPSA 1034 2400/5 10 0,5-WA2X100X10 135-40	77525-3062
2400	5	10	0,5s	1	EPSA 1034 2400/5 10 0,5s-WA2X100X10 135-40	77525-3066
2400	5	15	0,2	1	EPSA 1034 2400/5 15 0,2-WA2X100X10 135-40	77525-3071
2400	5	15	0,5	1	EPSA 1034 2400/5 15 0,5-WA2X100X10 135-40	77525-3072
2400	5	15	0,5s	1	EPSA 1034 2400/5 15 0,5s-WA2X100X10 135-40	77525-3076
2400	5	30	0,5	1	EPSA 1034 2400/5 30 0,5-WA2X100X10 135-40	77525-3082
2400	5	30	0,5s	1	EPSA 1034 2400/5 30 0,5s-WA2X100X10 135-40	77525-3086
2500	5	5	0,2	1	EPSA 1034 2500/5 5 0,2-WA2X100X10 135-40	77525-3141
2500	5	5	0,5	1	EPSA 1034 2500/5 5 0,5-WA2X100X10 135-40	77525-3142
2500	5	5	0,5s	1	EPSA 1034 2500/5 5 0,5s-WA2X100X10 135-40	77525-3146
2500	5	10	0,2	1	EPSA 1034 2500/5 10 0,2-WA2X100X10 135-40	77525-3161
2500	5	10	0,5	1	EPSA 1034 2500/5 10 0,5-WA2X100X10 135-40	77525-3162
2500	5	10	0,5s	1	EPSA 1034 2500/5 10 0,5s-WA2X100X10 135-40	77525-3166
2500	5	15	0,2	1	EPSA 1034 2500/5 15 0,2-WA2X100X10 135-40	77525-3171
2500	5	15	0,5	1	EPSA 1034 2500/5 15 0,5-WA2X100X10 135-40	77525-3172
2500	5	15	0,5s	1	EPSA 1034 2500/5 15 0,5s-WA2X100X10 135-40	77525-3176
2500	5	30	0,5	1	EPSA 1034 2500/5 30 0,5-WA2X100X10 135-40	77525-3182
2500	5	30	0,5s	1	EPSA 1034 2500/5 30 0,5s-WA2X100X10 135-40	77525-3186
3000	5	30	0,5s	1	EPSA 1034 2500/5 30 0,5s-WA2X100X10 135-40	77525-3286

Current transformer accessories

Accessories

Designation	Variant	PU	Product designation	Order no.
PRIMARY CONDUCTOR 21 x 12.5 32 LONG	Cylindrical copper primary 1 conductor, diameter 21 mm, bore 12.5 mm, length 32 mm For transformer PSA 514 PSA 614 PSA 814 PSA 1034 PSA 1254 PSA 1274	1	PRIMÄRLEITER 21 X 12,5 32 LANG	36551-0010
PRIMARY CONDUCTOR 30 x 12.5 32 LONG	Cylindrical copper primary 1 conductor, diameter 30 mm, bore 12.5 mm, length 32 mm For transformer PSR	1	PRIMÄRLEITER 30 X 12,5 32 LANG	36561-0010
PRIMARY CONDUCTOR 21 x 8.5 32 LONG	Cylindrical copper primary conductor, diameter 21 mm, bore 8.5 mm, length 32 mm For transformer PSR 200.1 PSR 203	1	PRIMÄRLEITER 21 X 8,5 32 LANG	36563-0010
PRIMARY CONDUCTOR 22.5 x 12.5 32 LONG	Cylindrical copper primary conductor, diameter 22.5 mm, bore 12.5 mm, length 32 mm For transformer PSR 253	1	PRIMÄRLEITER 22,5 X 12,5 32 LANG	36565-0010
PRIMARY CONDUCTOR 21 x 12.5 52 LONG	Cylindrical copper primary conductor, diameter 21 mm, bore 12.5 mm, length 52 mm For transformer PSR 205	1	PRIMÄRLEITER 21 X 12,5 52 LANG	36584-0010
PRIMARY CONDUCTOR 21 x 8,5 52 LONG, BARE	Cylindrical copper primary conductor, diameter 21 mm, bore 8.5 mm, length 52 mm For transformer PSR 205	1	PRIMÄRLEITER 21 X 8,5 52 LANG BLANK	36628-0010
Secondary terminal cover SKLAD 213-413	For transformer PSA 213 PSA 313 PSA 413 PSR 253	1	SKLAD 213-413(SEKUNDÄR- KLEMMENABDECKUNG)	36552-0010
Secondary terminal cover SKLAD 215-415/ 317.1-517.1	PSR 253/30 For transformer PSA 215 PSA 315 PSA 417.1 PSA 517.1	1	SKLAD PSA 215-415/317.1-517.1 PSW55	36553-0010
Secondary terminal cover SKLAD 513/613/623/624	PSW 55 For transformer PSA 513 PSA 613 PSA 623 PSA 625	1	SKLAD 513/613/623/624	36554-0010
Secondary terminal cover SKLAD 113	PSA 633 For transformer PSA 113 PSR 203	1	SKLAD 113	36562-0010
Secondary termi- nal cover SKLAD PSA 514,614,634,814,1034,1254,1274	For transformer PSA 514 PSA 614 PSA 814 PSA 1034 PSA 1254 PSA 1274	1	SKLAD PSA 514,614,634,814,1034,1254,1274	36614-0010
SUPPORTING RAIL / TOP-HAT RAIL ATTACHMENT SBF 5-6/3	For transformer PSA 213 PSA 113 PSA 313 PSA 413 PSR 203 PSR 253	1	TRAG-/HUTSCHIENEN- BEFESTIGUNG SBF 5-6/3	36555-0010
Special NH solid link of size 2 to be used with PSA 113	PSR 253/30	1	TRENNMESSER GR.2 FÜR WANDLER	36717-0010

Low-voltage current transformers

Product range overview

	Primary conductor	Primary current	Classes
Window-type current transformers	20 mm x 10 mm – 4x 120 mm x 10 mm	40 A – 5000 A	1 / 0.5
Window-type current transformers	20 mm x 10 mm – 4x 120 mm x 10 mm	75 A – 3000 A	0.5 / 0.2 / 0.5S / 0.2S
Tube-type current transformer	Ø 21 mm – Ø 30 mm	50 A – 600 A	1 / 0.5
Tube-type current transformer	Ø 21 mm – Ø 30 mm	75 A – 600 A	0.5 / 0.5S
Wound-primary current transformers	–	5 A – 200 A	0.5 / 0.2 / 0.5S / 0.2S
Summation current transformers	2 – 10 circuits	2 x 5 A - 10 x 5 A	1 / 0.5
Summation current transformer	2 – 10 circuits	2 x 1 A - 10 x 1 A	0.2

Overview of PSA window-type current transformers

Transformer type	PSA 213	PSA 215	PSA 113	PSA 115	PSA 313	PSA 315	PSA 413	PSA 415
Transformer dimensions height x width x depth	78 x 60 x 30	85 x 60 x 55	70 x 50 x 30	70 x 50 x 50	78 x 60 x 30	85 x 60 x 55	78 x 60 x 30	85 x 60 x 55
Primary busbar	20 x 10	20 x 10	30 x 10	30 x 10	30 x 10	30 x 10	40 x 12	40 x 12
Maximum primary round conductor dimensions	20	20	–	–	28	28	28	32

Secondary rated current 5 A or 1 A:

Accuracy classes	0,5	1	0,5	1	0,5	1	0,5	1	0,5	1	0,5	1	0,5	1	0,5	1
Min. primary current	75	50	100	40	150	60	100	50	100	100	75	75	200	150	600	150
Maximum primary current	300	300	150	150	600	600	600	600	600	600	400	400	800	800	300	800

Transformer type	PSA 513	PSA 613	PSA 633	PSA 814	PSA 1034	PSA 1254	PSA 1274
Transformer dimensions Height x width x depth	108 x 85 x 30	108 x 85 x 30	108,5 x 89,5 x 30	122 x 100 x 40	160 x 135 x 40	189 x 159,5 x 40	198 x 159,5 x 40
Primary busbar	50 x 12	60 x 10	60 x 30	80 x 10	3 x 100 x 10*	3 x 120 x 10*	4 x 120 x 10*
Maximum primary round conductor dimensions	45	45	–	60	85	98	–

Secondary rated current 5 A or 1 A:

Accuracy classes	0,5	1	0,5	1	0,5	1	0,5	1	0,5	1	0,5	1	0,5	1
Min. primary current	250	200	400	400	800	800	400	400	400	400	1000	800	1600	800
Maximum primary current	1250	1250	1600	1600	1600	1600	2000	2000	4000	4000	5000	5000	4000	4000

* Busbars can be spaced at 10 mm.

Overview of PSR tube-type current transformers

Transformer type	PSR 200	PSR 200.1	PSR 203	PSR 205	PSR 253	PSR 253/30
Transformer dimensions height x width x depth	65 x 44 x 30	65 x 44 x 30	70 x 50 x 30	70 x 50 x 50	78 x 60 x 30	78 x 60 x 30
Maximum primary round conductor dimensions	21	21	21	21	22,5	30

Secondary rated current 5 A or 1 A:

Accuracy classes	0,5	1	0,5	1	0,5	1	0,5	1	0,5	1	0,5	1
Min. primary current	100	50	100	50	80	75	50	50	75	50	125	100
Maximum primary current	300	300	300	300	300	300	300	300	600	600	1000	1000

Low-voltage current transformers

Technical data acc. to VDE 0414 T 44-1 / IEC/EN 60044-1

Primary rated current I_{1N}	Window-type current transformer	40 A – 5000 A
	Wound-primary current transformer	5 A – 200 A
	Tube-type current transformer	50 A – 600 A
	Summation current transformer	1 A and 5 A, up to 10 circuits
Secondary rated current I_{2N}	1 A, 5 A	
Rated frequency	50 – 60 Hz (special variants 162/3 – 400 Hz available on request)	
Maximum voltage at equipment U_m	720 V (special variants up to 1200 V available on request)	
Rated power-frequency withstand current (impulse-withstand voltage)	3 kV (special variants up to 6 kV available on request)	
Overcurrent limiting factor (FS)	FS 5	
Thermal rated uninterrupted current	$1,2 * I_{1N}$	
Current rating	120 %	
Thermal rated short-time current	$I_{th} = 60 * I_{1N}$ max. 50 kA	
Rated dynamic current	$I_{dyn} = 2,5 * I_{th}$ max. 120 kA	
Permissible ambient temperature	-40 °C to + 40 °C	
Insulating material class acc. to IEC 60085	E (B and F on request)	
Degree of protection acc. to DIN/EN 60529/VDE 0470 T1	IP 20	
Tightening torque of secondary terminals	1.5 to 2 Nm	
Secondary terminal cross-section	1,5-6 mm ²	

Information on current transformer selection

Current transformers must primarily be selected according to the mechanical configuration and dimensions of the copper busbars.

Permissible measurement range Current transformers can be operated at up to 1.2-times the primary rated current, thereby complying with class accuracy. For a 630-A busbar system, a current transformer with a primary rated current of 600 A can be selected. This transformer complies with class accuracy for up to 720 A.

Current transformer burden The accuracy of current transformer measurements is ensured if the transformer is operated between the full rated output (burden), e.g. 10 VA, and 1/4 of the burden. At half of the burden, transformers with a rated output of 2.5 VA or less still comply with class accuracy.

Earthing of secondary circuit Earthing of the secondary circuit of EFEN low-voltage current transformers is not necessary as these transformers have no large exposed metal housing parts.

Power demand The output required from a transformer depends on the lines and measurement equipment connected to it. Current measuring instruments can be connected in series, thereby increasing the power demand.

Due to Ohm's law, 1-A current transformers require considerably less power than 5-A transformers. Consequently, transformers with a secondary current of 1 A should be selected if connection lines are longer than 10 m.

PTB-compliant current transformers for billing purposes complying with German law

Manufacturer's declaration

Device:

Low-voltage current transformer EPSA with design certification and assessment of conformity



Module D



Module F

Approval:

According to the "Act on the Re-organisation of Statutory Metrology" entered into force on 25 April 2013 and the ensuing regulation establishing new rules for statutory metrology and for harmonising it with European legislation entered into force on 11 December 2014, the initial calibration of summary current transformers in its current form e.g. by a state-approved testing bodies is abolished.

Compliance of summary current transformers with applicable statutory regulations as well as technical standards and requirements is ensured either by certified production and final inspection (module D) or by an external testing body (module F). A compliance check according to module F must be commissioned directly by the manufacturer.

Retroactive calibration of suitable transformers is not provided for by law. Consequently, the terms "suitable for calibration" or "suitable for certification" may no longer be used.

As of 2015, EFEN therefore offers PTB-compliant low-voltage current transformers according to module D or F.

Low-voltage current transformers

Power demand of a double-strand line in VA for secondary currents of 1 A

Conductor cross-section	Power demand in VA depending on cable length									
	10 m	20 m	30 m	40 m	50 m	60 m	70 m	80 m	90 m	100 m
1 mm ²	0,36	0,71	1,07	1,43	1,79	2,14	2,50	2,86	3,21	3,57
1,5 mm ²	0,24	0,48	0,71	0,95	1,19	1,43	1,67	1,90	2,14	2,38
2,5 mm ²	0,14	0,29	0,43	0,57	0,71	0,86	1,00	1,14	1,29	1,43
4 mm ²	0,09	0,18	0,27	0,36	0,45	0,54	0,63	0,71	0,80	0,89
6 mm ²	0,06	0,12	0,18	0,24	0,30	0,36	0,42	0,48	0,54	0,60
10 mm ²	0,04	0,07	0,11	0,14	0,18	0,21	0,25	0,29	0,32	0,36

Power demand of a double-strand line in VA for secondary currents of 5 A

Conductor cross-section	Power demand in VA depending on cable length									
	1 m	2 m	4 m	6 m	8 m	10 m	15 m	20 m	30 m	40 m
1,5 mm ²	0,60	1,19	2,38	3,57	4,76	5,95	8,93	11,90	17,86	23,81
2,5 mm ²	0,36	0,71	1,43	2,14	2,86	3,57	5,36	7,14	10,71	14,29
4 mm ²	0,22	0,45	0,89	1,34	1,79	2,23	3,35	4,46	6,70	8,93
6 mm ²	0,15	0,30	0,60	0,89	1,19	1,49	2,23	2,98	4,46	5,95
10 mm ²	0,09	0,18	0,36	0,54	0,71	0,89	1,34	1,79	2,68	3,57

Generally, the power demand of the measurement device and measuring line should be less than the total rated output (rated burden) and more than ¼ of the rated output of the current transformer. This ensures accurate measurements within the specified accuracy range.

$S_{CT} > 2,5 \text{ VA}$	$S_{CT} > S_{Cable} + S_{Meter} > \frac{1}{4} S_{CT}$
$S_{CT} \leq 2,5 \text{ VA}$	$S_{CT} > S_{Cable} + S_{Meter} > \frac{1}{2} S_{CT}$

S_{CT}	Rated output of the transformer (rated burden)
S_{Cable}	Power demand of the line
S_{Meter}	Power demand of the measurement device

EFEN low-voltage current transformers

Product features

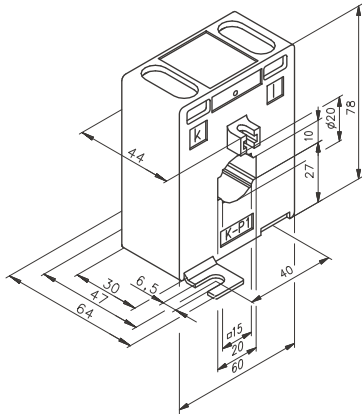
- Robust and cost-effective design
- High-quality, flame-resistant plastics made of glass-fibre reinforced polycarbonate
- Excellent technical data
- Applications for various busbar sizes
- Easy installation on the busbar
- Accuracy classes acc. to VDE 0414 T 44-1 / IEC/EN 60044-1 and IEC 185 (1987)
- Fasteners for busbar and baseplate mounting

Low-voltage current transformers

PSA 213 – 315

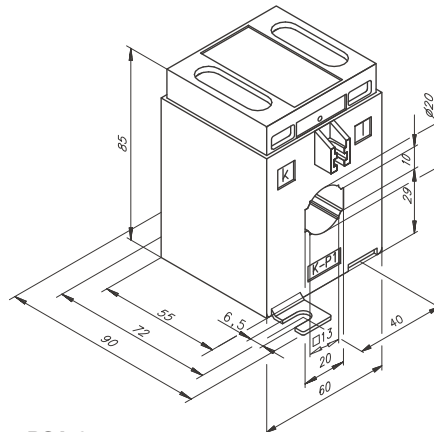
Window-type current transformers

Primary currents from 50 to 300 A, for busbars of 20 x 10 mm and base-plates, according to VDE 0414 T44-1 / IEC/EN 60044-1



PSA 213

Primary busbar 20 x 10 mm, 15 x 15 mm
Max. round cable Ø 20 mm

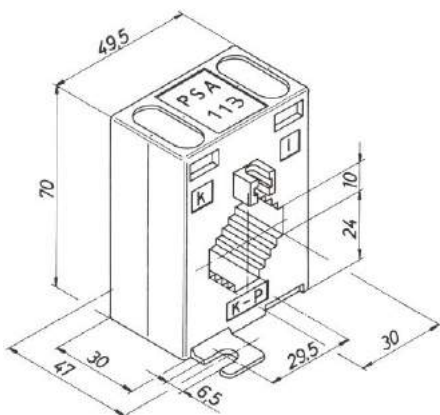


PSA 215

Primary busbar 20 x 10 mm, 15 x 15 mm
Max. round cable Ø 20 mm

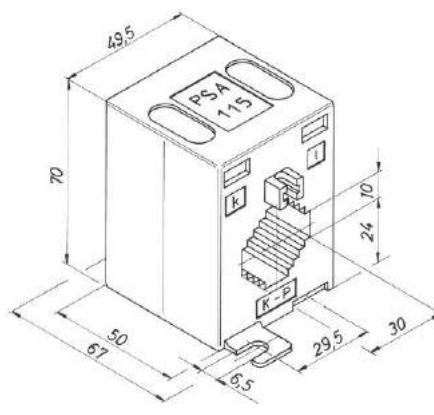
Window-type current transformers

Primary currents from 50 to 600 A, for busbars of 30 x 10 mm and base-plates, according to VDE 0414 T44-1 / IEC/EN 60044-1



PSA 113

Primary busbar 30 x 10 mm, 25 x 15 mm, 20 x 20 mm

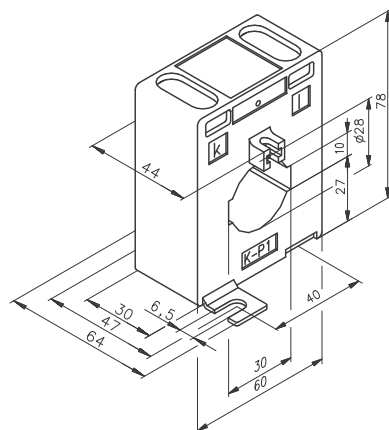


PSA 115

Primary busbar 30 x 10 mm, 25 x 15 mm, 20 x 20 mm

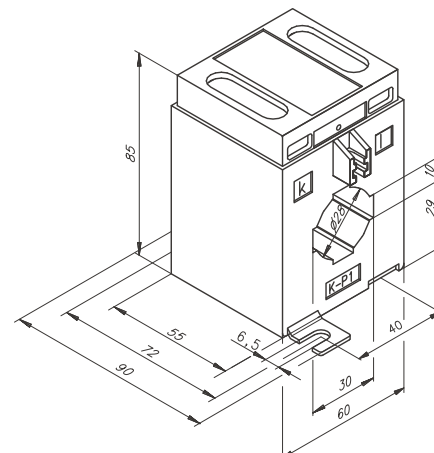
Window-type current transformers

Primary currents from 75 to 600 A, for busbars 30 x 10 mm and base-plates, according to VDE 0414 T44-1 / IEC/EN 60044-1



PSA 313

Primary busbar 30 x 10 mm
Max. round cable Ø 28 mm



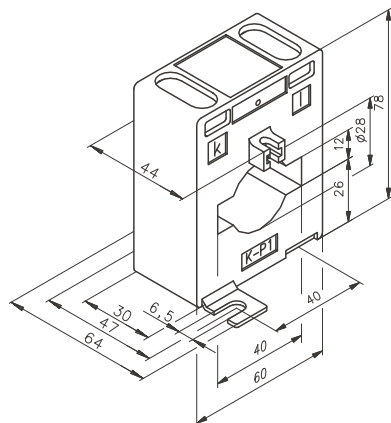
PSA 315

Primary busbar 30 x 10 mm
Max. round cable Ø 28 mm

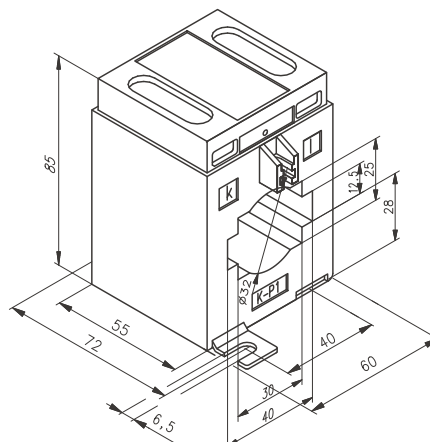
Low-voltage current transformers PSA 413 – 633

Window-type current transformers

Primary currents from 150 to 800 A, for busbars 40 x 12 mm and base-plates, according to VDE 0414 T44-1 / IEC/EN 60044-1



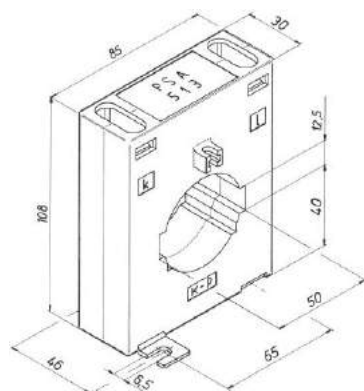
PSA 413
Primary busbar 40 x 12 mm
Max. round cable Ø 28 mm



PSA 415
Primary busbar 40 x 12 mm, 30 x 25 mm
Max. round cable Ø 32 mm

Window-type current transformers

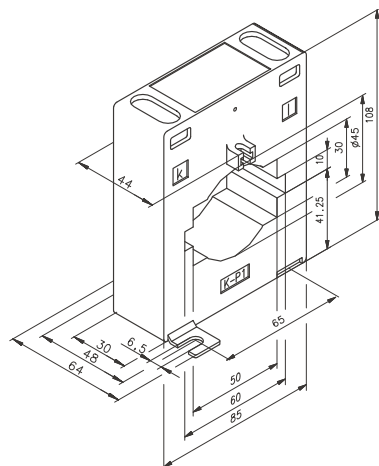
Primary currents from 200 to 1250 A, for busbars 50 x 12 mm and base-plates, according to VDE 0414 T44-1 / IEC/EN 60044-1



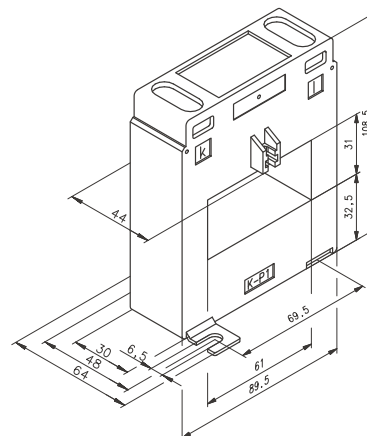
PSA 513
Primary busbar 50 x 12 mm, 40 x 23 mm
Max. round cable Ø 45 mm

Window-type current transformers

Primary currents from 400 to 1600 A, for busbars 60 x 10 (-30) mm and base-plates, according to VDE 0414 T44-1 / IEC/EN 60044-1



PSA 613
Primary busbar 60 x 10 mm; 50 x 30 mm
Max. round cable Ø 45 mm

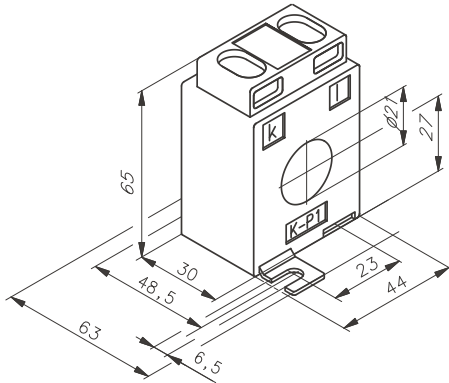


PSA 633
Primary busbar 60 x 30 mm

Low-voltage current transformers Tube-type current transformers PSR 200 – PSR 253/30

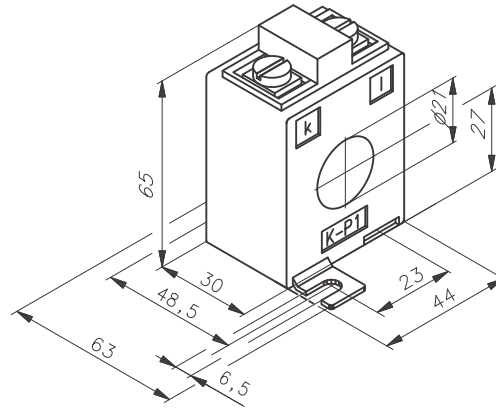
Tube-type current transformers

Primary currents from 50 to 300 A; acc. to VDE 0414 T44-1 / IEC/EN 60044-1



PSR 200

Max. round cable \varnothing 21 mm
 $I_{1N} = 50 \text{ A} - 300 \text{ A}$

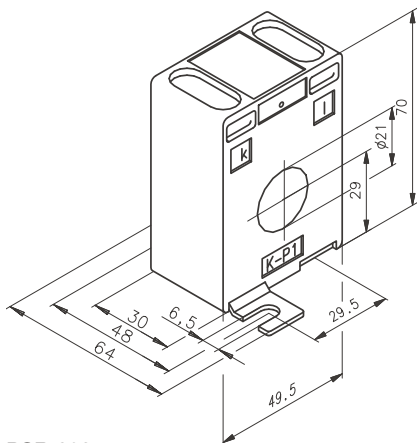


PSR 200.1

Max. round cable \varnothing 21 mm
 $I_{1N} = 50 \text{ A} - 300 \text{ A}$

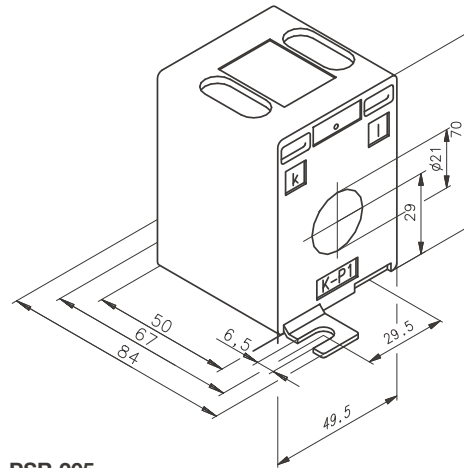
Tube-type current transformers

Primary currents from 50 to 300 A, acc. to VDE 0414 T44-1 / IEC/EN 60044-1



PSR 203

Max. round cable \varnothing 21 mm
 $I_{1N} = 75 \text{ A} - 300 \text{ A}$

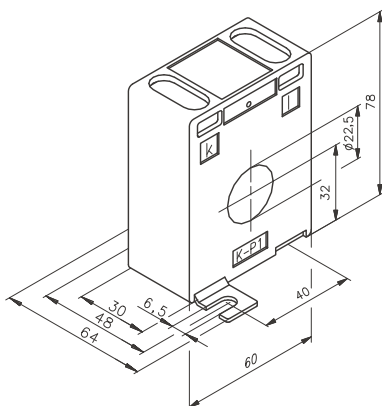


PSR 205

Max. round cable \varnothing 21 mm
 $I_{1N} = 50 \text{ A} - 300 \text{ A}$

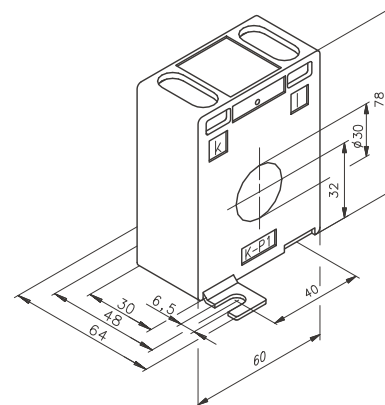
Tube-type current transformers

Primary currents from 50 to 600 A, acc. to VDE 0414 T44-1 / IEC/EN 60044-1



PSR 253

Max. round cable \varnothing 22.5 mm
 $I_{1N} = 50 \text{ A} - 600 \text{ A}$



PSR 253/30

Max. round cable \varnothing 30 mm
 $I_{1N} = 125 \text{ A} - 600 \text{ A}$

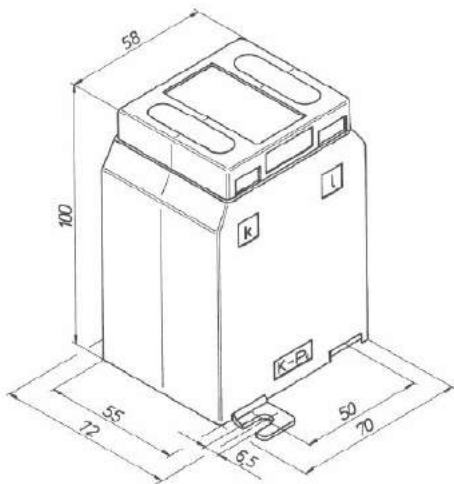
Low-voltage current transformers

Wound-primary current transformers PSW 55, PSW 70

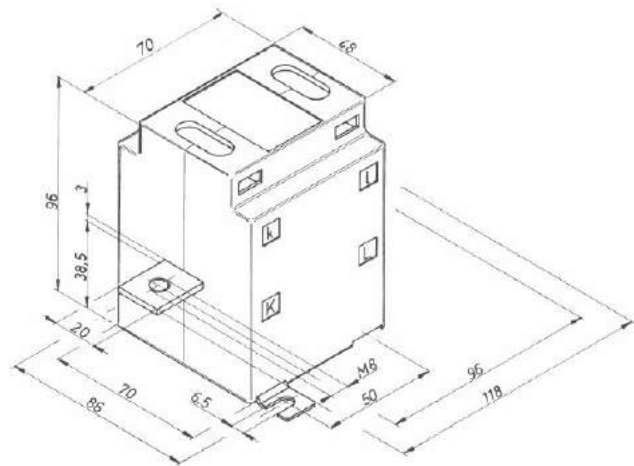
Wound-primary current transformers

5 to 200 A, acc. to VDE 0414 T44-1 / IEC/EN 60044-1

At low current transformer ratios, window-type current transformers can only achieve lower power outputs and accuracy classes. Therefore, the use of wound-primary current transformers is recommended if higher power outputs and accuracy classes are required. In wound-primary current transformers, the primary conductor is wound several times on the magnetic core of the current transformer.



PSW 55
 $I_{1N} = 5 \text{ A} - 40 \text{ A}$



PSW 70
 $I_{1N} = 50 \text{ A} - 200 \text{ A}$

Low-voltage current transformers

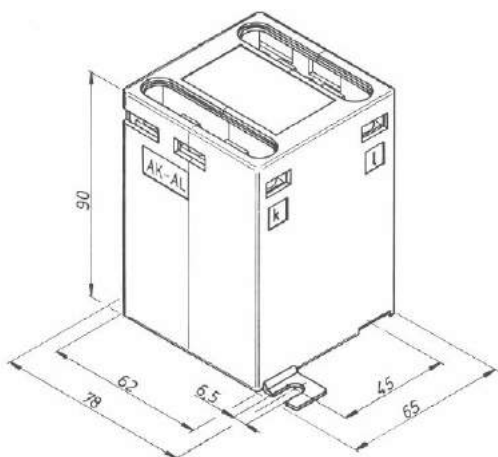
Summation current transformers PSS 2, PGSU

Summation current transformers

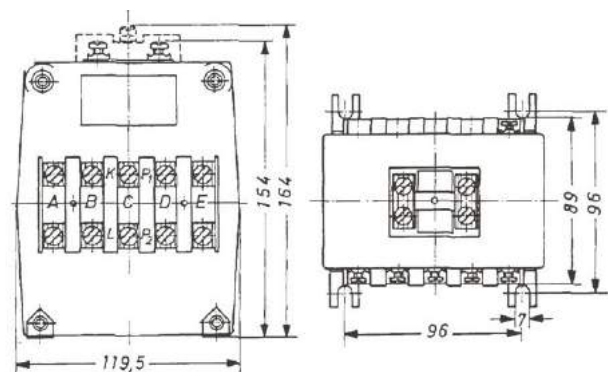
2 – 10 circuits, acc. to VDE 0414 T44-1 / IEC/EN 60044-1

Summation current transformers are used if several window-type current transformers shall be combined into one measurement unit. Here, it must be ensured that window-type current transformers of the same phase are combined with the summation current transformer.

EFEN summation current transformers allow up to 10 power feeders with different window-type current transformers to be combined into one current measurement unit.



PSS 2
 $I_{1N} = 1 \text{ A} + 1 \text{ A} / 5 \text{ A} + 5 \text{ A}$
 $2 \times 5 \text{ A} / 2 \times 1 \text{ A}$

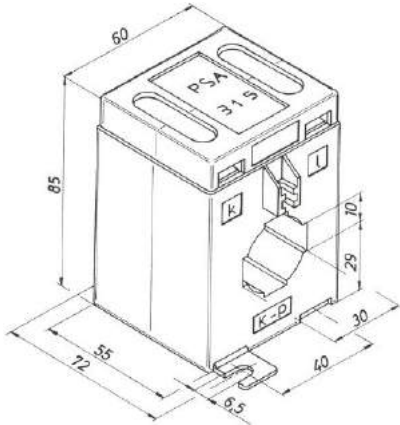


PGSU
 $I_{1N} = 3 \times 5 \text{ A} - 10 \times 5 \text{ A}$

PTB-compliant current transformers for billing purposes EPSA 315 – EPSA 417.2

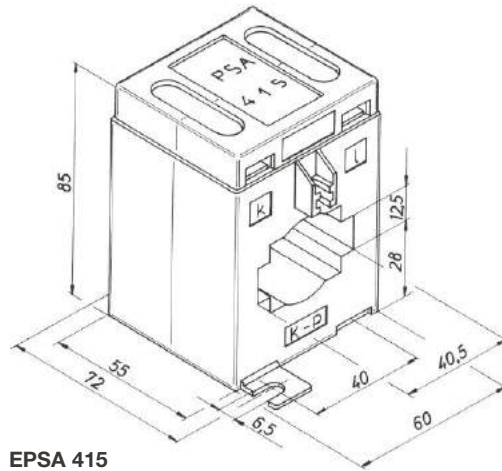
Current transformers for billing purposes

For busbars 30 x 10 / 40 x 10 mm and base-plates, acc. to VDE 0414 T44-1 / IEC/EN 60044-1



EPSA 315

Primary busbar 30 x 10 mm
Max. round cable Ø 28 mm

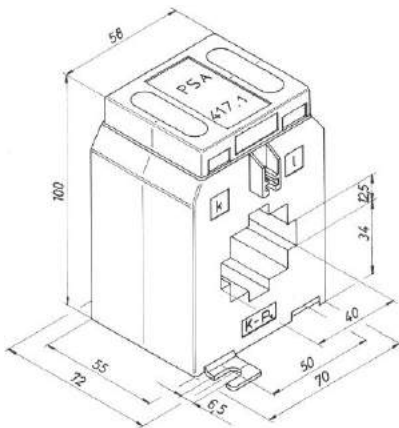


EPSA 415

Primary busbar 40 x 12 mm, 30 x 25 mm
Max. round cable Ø 32 mm

Current transformers for billing purposes

Busbar 40 x 12 mm, acc. to VDE 0414 T44-1 / IEC/EN 60044-1

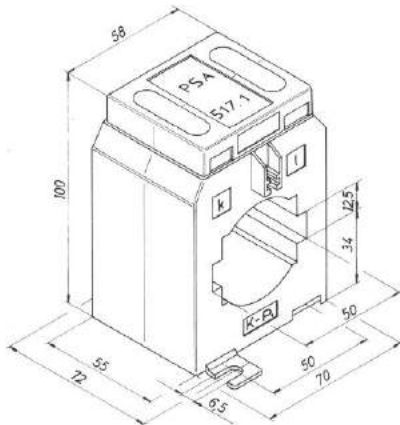


EPSA 417.1

Primary busbar 40 x 12 mm, 30 x 30 mm

Current transformers for billing purposes

Busbar 50 x 12 mm, acc. to VDE 0414 T44-1 / IEC/EN 60044-1



EPSA 517.1

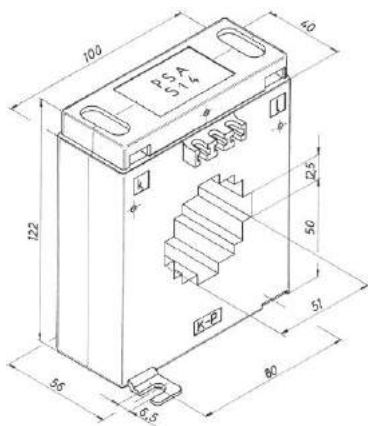
Primary busbar 50 x 12 mm, 40 x 30 mm
Max. round cable Ø 43 mm

PTB-compliant current transformers for billing purposes

EPSA 517.1 – EPSA 1034

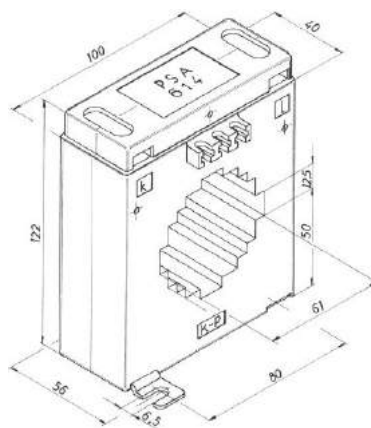
Current transformers for billing purposes

Busbars 50 x 12 / 60 x 10 mm, acc. to VDE 0414 T44-1 / IEC 60044-1



EPSA 514

Primary busbar 50 x 12 mm, 40 x 30 mm
Max. round cable Ø 46 mm

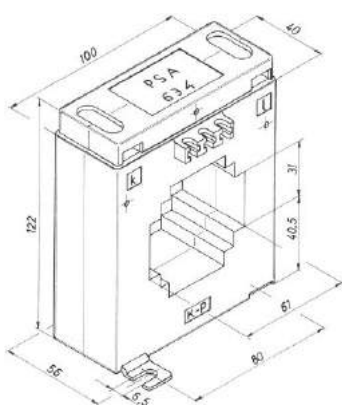


EPSA 614

Primary busbar 60 x 12 mm, 50 x 30 mm, 40 x 40 mm

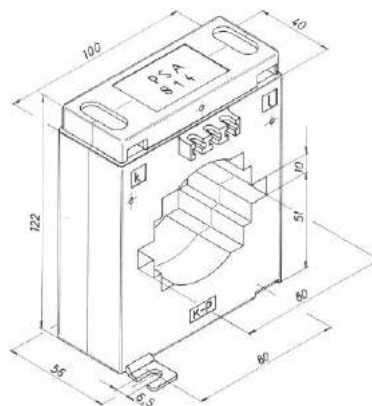
Current transformers for billing purposes

Busbar 60 x 30 / 80 x 10 mm, acc. to VDE 0414 T44-1/IEC/EN 60044-1



EPSA 634

Primary busbar 60 x 30 mm,
50 x 40 mm

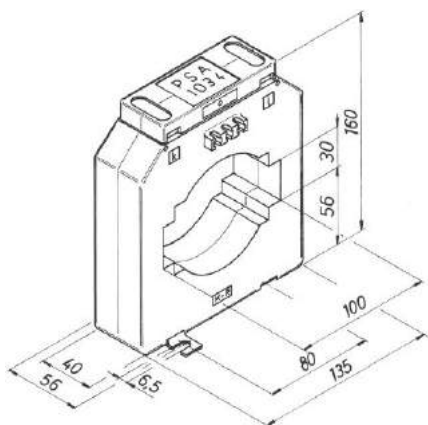


EPSA 814

Primary busbar 80 x 10 mm, 60 x 30 mm,
50 x 50 mm
Max. round cable Ø 60 mm

Current transformers for billing purposes

Busbar 2 x 100 x 10 mm, acc. to VDE 0414 T44-1 / IEC/EN 60044-1



EPSA 1034

Primary busbar 2 x 100 x 10 mm, 80 x 50 mm
Max. round cable Ø 85 mm

Current transformers for NH Fuse-Switches

► Technical data, page 332



77283-6313

E³ low-voltage current-transformer block for E³ NH Fuse-Switches, vertical design, size 00/100

Features:

Current transformer block, class 1; 0.5 retrofitable, terminal 2.5 mm²
One-phase or three-phase measurement (one-phase measurement on L1)

Designation	Size	PU	Product designation	Order no.
100/1, class 1, 1,25 VA, 3-phase measurement	00/100	1	E ³ WB00/100 3X100/1A 1,25VA KL.1	77283-6313
150/1, class 0.5, 2 VA, 3-phase measurement	00/100	1	E ³ WB00/100 3X150/1A 2VA KL.0,5	77283-6522
150/1, class 1, 2,5 VA, 3-phase measurement	00/100	1	E ³ WB00/100 3X150/1A 2,5VA KL.1	77283-6533
150/5, class 1, 1,5 VA, 1-phase measurement	00/100	1	Wandlerblock 00/100 150/5 1ph. 1,5VA KL1	77284-1533
100/1, class 1, 1,25 VA, 1-phase measurement	00/100	1	E ³ WB00/100 100/1A 1,25VA KL.1	77284-6313
150/1, class 1, 1,25 VA, 1-phase measurement	00/100	1	E ³ WB00/100 150/1A 2,5VA KL.1	77284-6533



77150-1836

E³ low-voltage current-transformer for E³ NH Fuse-Switches, vertical design, size 1 – 3

Features:

Single current transformer class 1; 0.5s, box terminal 6 mm²

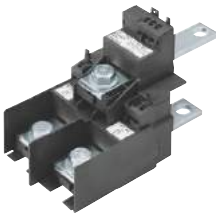
Designation	Size	PU	Product designation	Order no.
150/5 A, 2,5 VA, Kl. 1	1-3	1	E ³ -W1-3 150/5A 2,5VA KL.1	77150-1533
250/5 A, 5 VA, Kl. 1	1-3	1	E ³ -W1-3 250/5A 5VA KL.1	77150-1743
300/5 A, 2,5 VA, Kl. 0,5s	1-3	1	E ³ -W1-3 300/5A 2,5VA KL.0,5S	77150-1836
400/5 A, 2,5 VA, Kl. 0,5s 1-3	1-3	1	E ³ -W1-3 400/5A 2,5VA KL.0,5S	77150-1936
400/5 A, 5 VA, Kl. 1	1-3	1	E ³ -W1-3 400/5A 5VA KL.1	77150-1943
600/5 A, 2,5 VA, Kl. 0,2s 1-3	1-3	1	E ³ -W1-3 600/5A 2,5VA KL.0,2S	77150-2135
600/5 A, 5 VA, Kl. 1	1-3	1	E ³ -W1-3 600/5A 5VA KL.1	77150-2143
600/5 A, 5 VA, Kl. 0,5s	1-3	1	E ³ -W1-3 600/5A 5VA KL.0,5S	77150-2146
800/5 A, 5 VA, Kl. 1	1-3	1	E ³ -W1-3 800/5A 5VA KL.1	77150-2343
150/1 A, 2,5 VA, Kl. 1	1-3	1	E ³ -W1-3 150/1A 2,5VA KL.1	77150-6533
250/1 A, 2,5 VA, Kl. 0,5	1-3	1	E ³ -W1-3 250/1A 2,5VA KL.0,5	77150-6732
250/1, 5 VA, Kl. 1	1-3	1	E ³ -W1-3 250/1A 5VA KL.1	77150-6743
400/1, 5 VA, Kl. 0,5	1-3	1	E ³ -W1-3 400/1A 5VA KL.0,5	77150-6942
400/1 A, 5 VA, Kl. 1	1-3	1	E ³ -W1-3 400/1A 5VA KL.1	77150-6943
600/1 A, 5 VA, Kl. 0,5	1-3	1	E ³ -W1-3 600/1A 5VA KL.0,5	77150-7142
600/1 A, 5 VA, Kl. 1	1-3	1	E ³ -W1-3 600/1A 5VA KL.1	77150-7143



77550-1836

E³ low-voltage current-transformer for E³ NH Fuse-Switches, vertical design, size 1 – 3, PTB-compliant

Designation	Size	PU	Product designation	Order no.
250/5A 2,5VA Kl.0,5	1-3	1	E ³ -W1-3 250/5A 2,5VA Kl.0,5	77550-1732
300/5A 2,5VA Kl.0,5s	1-3	1	E ³ -W1-3 300/5A 2,5VA Kl.0,5s	77550-1836
400/5A 5VA Kl.0,5S	1-3	1	E ³ -W1-3 400/5A 5VA Kl.0,5S	77550-1946
600/5A 5VA Kl.0,5S	1-3	1	E ³ -W1-3 600/5A 5VA Kl.0,5S	77550-2146
800/5A 5VA Kl.0,5S	1-3	1	E ³ -W1-3 800/5A 5VA Kl.0,5S	77550-2346



77287-1846

E³ low-voltage current-transformer for E³ NH Fuse-Switches, vertical design, size 1 – 3, for connection in cable branch-off line

Features:

- For multiple-use terminal (screw terminal M12)
- Connection for voltage tapping

Designation	Size	PU	Product designation	Order no.
200/5 2,5 KL 0,5S	1-3	1	E ³ WB1-3 200/5 2,5 KL 0,5S	77287-1636
300/5 5,0 KL 0,5S	1-3	1	E ³ WB1-3 300/5 5,0 KL 0,5S	77287-1846
400/5 5,0 KL 0,5S	1-3	1	E ³ WB1-3 400/5 5,0 KL 0,5S	77287-1946
600/5 5,0 KL 0,5S	1-3	1	E ³ WB1-3 600/5 5,0 KL 0,5S	77287-2146

Measurement and Communication

Current transformers for NH Fuse-Switches

► Technical data, page 332



77587-1946

E³ current transformer block for E³ NH Fuse-Switches, vertical design, size 1 – 3, for connection at cable outlet, PBT-compliant variant for billing purposes

Features:

- For multiple-use terminal (screw terminal M12)
- Connection for voltage tapping

Designation	Size	PU	Product designation	Order no.
200/5 2,5 KL 0,5S	1-3	1	E ³ WB1-3 200/5 2,5 KL 0,5S	77587-1636
300/5 5,0 KL 0,5S	1-3	1	E ³ WB1-3 300/5 5,0 KL 0,5S	77587-1846
400/5 5,0 KL 0,5S	1-3	1	E ³ WB1-3 400/5 5,0 KL 0,5S	77587-1946
600/5 5,0 KL 0,5S	1-3	1	E ³ WB1-3 600/5 5,0 KL 0,5S	77587-2146

Accessories for current transformers for NH Fuse-Switches

Terminal cover for low-voltage current transformer block for size 1 – 3

Designation	PU	Product designation	Order no.
Terminal cover for low-voltage current transformer block	1	KLEMMENABDECKUNG F. WANDLER-BLOCK 3PHASIG	36892-0010



36431-0010

E³-wiring kit for voltage cut-out for size 1 – 3

Features:

- Ready for connection to E³ NH fuse-switch, vertical design
- Connects to input or output
- Includes Cable holder and terminal bolts

Designation	PU	Product designation	Order no.
Wiring kit for voltage cut-out	1	Verdrahtungskit f. Spannungsabnahme	36431-0010



36430-0010

E³-wiring kit for current transformers for size 1 – 3

Features:

- Secondary lines 2.5 mm², black, no. 1-6
- Fits plug-in connections, isolation terminals or metering devices
- For top or bottom connection
- Impulse-withstand voltage 3 kV
- Includes cable holder

Designation	PU	Product designation	Order no.
1-phase wiring kit for current transformer, secondary lines 2.5 mm ² , black no. 1-6, impulse-withstand voltage 3 kV	1	Verdrahtungskit f. 1 Stromwandler	36429-0010
3-phase wiring kit for current transformer, secondary lines 2.5 mm ² , black no. 1-6, impulse-withstand voltage 3 kV	1	E ³ Verdrahtungskit f. 3 Stromwandler	36430-0010



36382-0010

E³-cable holder, click-on, for size 1 – 3

Features:

- Clip-on holder for neat cable routing
- For voltage tapping or for secondary lines

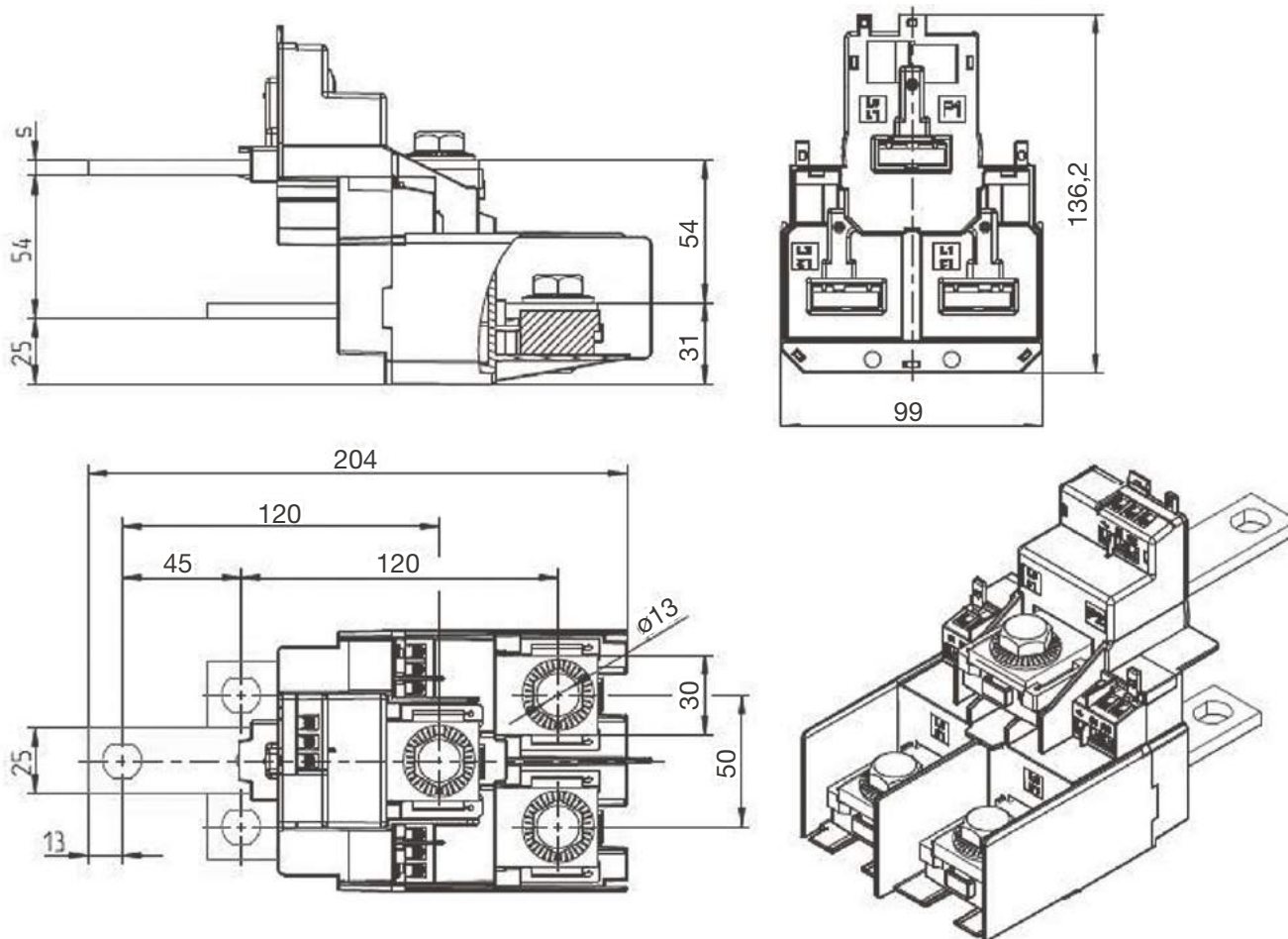
Designation	PU	Product designation	Order no.
Cable holder, click-on, backside mounting	1	Kabelhalter E ³ Gr.1-3	36382-0010

EFEN³-current transformer block, size 1 – 3 for terminal space, standard or PTB-compliant variant

Technical data

Order no. standard	77287-1636	77287-1736	77287-1846	77287-1946	77287-2146
Order no. for billing purposes	77587-1636	77587-1736	77587-1846	77587-1946	77587-2146
Primary rated current	200 A	250 A	300 A	400 A	600 A
Secondary rated current	2,5 A	2,5 A	5 A	5 A	5 A
Rated power	5 VA	5 VA	5 VA	5 VA	5 VA
Class	KL.0,5 s	KL.0,5 s	KL.0,5 s	KL.0,5 s	KL.0,5 s
Frequency	50-60 Hz	50-60 Hz	50-60 Hz	50-60 Hz	50-60 Hz
Insulation level	0,72/3 kV	0,7/3 kV	0,7/3 kV	0,72/3 kV	0,7/3 kV
Overcurrent limiting factor	FS5	FS5	FS5	FS5	FS5
Insulating material class	E	E	E	E	F
Thermal rated short-term current	60* I _n max. 50 kA				
Thermal rated uninterrupted current	1,2* I _n	1,2* I _n	1,2* I _n	1,2* I _n	1,2* I _n
Extended current range	120 %	120 %	120 %	120 %	120 %
Ambient temperature	-5° ... +40°C	-5° ... +40°C	-5° ... +40°C	-5° ... +40°C	-5° ... +40°C
Standards	VDE0414T 44-1, IEC60044-1				
Torque f. secondary terminals	1.5 to 2 Nm				

Current transformer block for NH Fuse-Switches

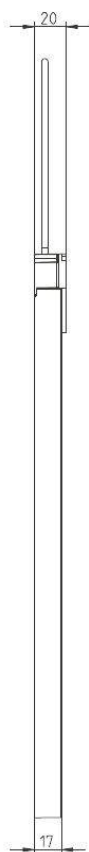
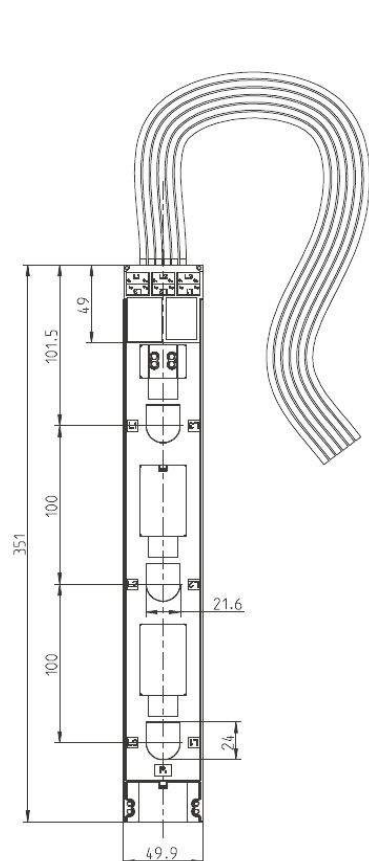


E³-Current transformer block size 00/100 1-phase or 3-phase metering (1-phase at L1)

Technical data

Article designation	Ratio	VA output	Class	Order no.
E ³ WB00/100 3X100/1 1,25 VA KL.1	3 x 100/1	1,25	1	77283-6313
E ³ WB00/100 3X150/1 2,5 VA KL.1	3 x 150/1	2,5	1	77283-6533
E ³ WB00/100 3X150/1 2,0 VA KL.0,5	3 x 150/1	2,0	0,5	77283-6522
E ³ WB00/100 1X100/1 1,25 VA KL.1	1 x 100/1	1,25	1	77284-6313
E ³ WB00/100 1X150/1 1,25 VA KL. 1	1 x 150/1	1,25	1	77284-6533
E ³ WB00/100 3X150/5 1,5 VA KL.1	3 x 150/5	1,5	1	77283-1523
E ³ WB00/100 1X150/5 1,5VA KL.1	1 x 150/5	1,5	1	77284-1523

Description	Unit	Value
Electrical parameters		
Technical data acc. to VDE 0414 T44-1/ IEC/EN 60044-1		
Primary rated current I1N	A	See transformer
S IN2	A	See transformer
Rated frequency	Hz	50
Rated isolation level	kV	0,72 / 3,00
Thermal rated uninterrupted current	A	1,2 x I _n
Thermal rated short-time current I _{th}		60 x I _n ; max. 50 kA
Permissible ambient temperature	°C	- 40 to + 40 °C
Extended current range		120%
Insulation class acc. to IEC 60085 E	3 x 100/1	E ³ Zub.
Conductor connection	3 x 100/1	E ³ Zub.
Connection of secondary terminal	mm ²	2,5 - 4
Torque of secondary terminal	Nm	0,8



Connection of assembled end pieces for ratio to 5 Amps Cable length 2 m.

Converter terminals top / cable terminal bottom:

L1 / S1 = black
S2 = brown
L2 / S1 = gray
S2 = white
L3 / S1 = blue
S2 = red

Converter terminals bottom / cable terminal top:

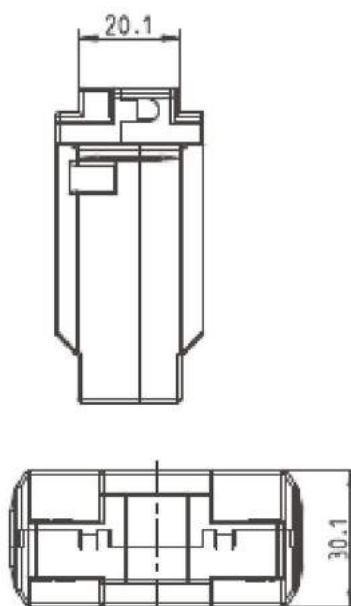
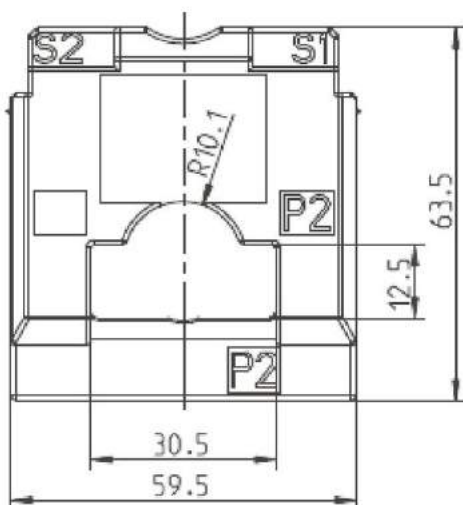
L1 / S1 = blue
S2 = red
L2 / S1 = gray
S2 = white
L3 / S1 = black
S2 = brown

E³-Drop-in transformers of size 1 – 3, PTB-compliant variant for billing purposes for E³ NH Fuse-Switches, vertical design, size 1 – 3

Technical data

Article designation	Ratio	VA output	Class	Order no.
E_E ³ W1-3 250/5A 2,5VA KI.0,5	250/5	2,5	0,5	77550-1732
E_E ³ W1-3 300/5A 2,5VA KL.0,5s	300/5	2,5	0,5s	77550-1836
E_E ³ W1-3 400/5A 5VA KL.0,5s	400/5	5	0,5s	77550-1946
E_E ³ W1-3 600/5A 5VA KL.0,5s	600/5	5	0,5s	77550-2146
E_E ³ W1-3 800/5A 5VA KL.0,5s	800/5	5	0,5s	77550-2346
Cable holder E ³ size 1 – 3				36382-0010

Description	Unit	Value
Electrical parameters		
Technical data acc. to VDE 0414 T44-1/ IEC/EN 60044-1		
Primary rated current I _{1N}	A	See transformer
Secondary rated current I _{N2}	A	See transformer
Rated frequency	Hz	50
Rated isolation level	kV	0,72 / 3,00
Thermal rated uninterrupted current	A	1,2 x I _n
Thermal rated short-time current I _{th}		60 x I _n ; max. 50 kA
Permissible ambient temperature	°C	- 5 to + 40 °C
Extended current range		120%
Insulating material class acc. to IEC 60085		E
Connection of secondary terminal	mm ²	2,5 - 4
Torque of secondary terminal	Nm	0,8



Ε3-Current transformers

Technical data

Current transformer block and current transformer class 0.5 s

Technical data acc. to VDE 0414 T 44-1 / IEC/EN 60044-1

Primary rated current	I_{1N}	300 A, 600 A, 800 A
Secondary rated current	I_{2N}	5 A
Rated frequency		50-60 Hz
Maximum voltage at equipment	U_m	720 V
Rated power-frequency withstand current (impulse-withstand voltage)		3 kV
Instrument security factor (FS)		FS 5
Thermal rated uninterrupted current		$1,2 \times I_{1N}$
Current rating		120% 800 A = 100%
Thermal rated short-time current		$I_{th} = 60 \times I_{1N}$ max. 50 kA
Rated dynamic current		$I_{dyn} = 2,5 \times I_{th}$ max. 120 kA
Permissible ambient temperature		-25° C to +55° C
Insulating material class acc. to IEC 60085		E
Degree of protection DIN/EN 60529/VDE 0470 T1		IP 20
Enclosure type		Closed enclosure
Enclosure material		Polyamide 6
Connection of secondary terminal		Box clamp 1.5 – 4 mm ²
Torque of secondary terminal		0,8 Nm
Approved for official calibration		System number

Current transformer, class 1

Technical data acc. to VDE 0414 T 44-1 / IEC/EN 60044-1

Primary rated current	I_{1N}	150-1000 A
Secondary rated current	I_{2N}	1 and 5 A
Rated frequency		50-60 Hz
Maximum voltage at equipment	U_m	720 V
Rated power-frequency withstand current (impulse-withstand voltage)		3 kV
Instrument security factor (FS)		FS 5
Thermal rated uninterrupted current		$1,2 \times I_{1N}$
Current rating		120% 1000 A = 100%
Thermal rated short-time current		$I_{th} = 60 \times I_{1N}$ max. 50 kA
Rated dynamic current		$I_{dyn} = 2,5 \times I_{th}$ max. 120 kA
Permissible ambient temperature		-25° C to +55° C
Insulating material class acc. to IEC 60085		E
Degree of protection DIN/EN 60529/VDE 0470 T1		IP 20
Enclosure type		Closed enclosure
Enclosure material		Polyamide 6
Connection of secondary terminal		Box clamp 1.5 – 4 mm ² , strand with end sleeve
Torque of secondary terminal		0,8 Nm

Recommended wiring for current transformer of class 1

Halogen-free multiple-strand wiring 2.5 mm² Temperature resistance 105 °C Test voltage 2500 V



Fuse-Monitoring

In state-of-the-art power distribution grids, real-time communication of system statuses over longer distances is becoming more and more important so as to be able to respond quickly in the event of changes or malfunctions. The possibility for instantaneous communication of the interface as soon as the fuse has tripped is a must.

System

The fuse-monitoring device is quickly and easily connected using the integrated terminals. In this way, the cables are routed safely under the field cover.

Features

With the new electronic fuse-monitoring, EFEN's portfolio comprises an integrated solution that satisfies any imaginable requirement and is also suitable for retrofitting systems.



Fuse-Monitoring

NH Fuse-Switches, horizontal design	page 338
NH Fuse-Switches, horizontal design for DC applications	page 348
E³ NH Fuse-Switches, vertical design	page 351
NH Fuse-Bases	page 353
Accessories for tripping-indication and measurement devices.	page 354
Technical data	page 341

Fuse-Monitoring
electronic



Fuse-Monitoring
mechanical



Easy upgrading

thanks to the **E³** uniform dimensions dimensions of the fuse-switch



NH Fuse-Switches, horizontal design, size 000 – 4a for baseplate mounting

► Technical data, page 341



34170-0130

NH fuse-switch, horizontal design, 690 V AC, 3-pole, for baseplate mounting

Features:

- Electronic fuse monitoring (ESÜ)
- No auxiliary power supply required
- Independent of feed side

Designation	Size	Amps	PU	Product designation	Order no.
Box clamp 2.5 – 50 mm ²	000/53	100	1	SILAS NH000 ESF MA R4R4	34040-0137
Box clamp 2.5 – 95 mm ²	00	160	1	SILAS NH00 ESF MA R5R5	34076-0130
Multiple-use terminal (bolt M8)	00	160	1	SILAS NH00 ESF MA U5U5	34077-0130
Multiple-use terminal (bolt M10)	1	250	1	SILAS NH1 ESF MA U2U2	34170-0130
Box clamp 35 – 150 mm ²	1	250	1	SILAS NH1 ESF MA RR	34175-0130
Multiple-use terminal (bolt M10)	2	400	1	SILAS NH2 ESF MA U2U2	34270-0130
Box clamp 95 – 300 mm ²	2	400	1	SILAS NH2 ESF MA RR	34275-0130
Multiple-use terminal (bolt M10)	3	630	1	SILAS NH3 ESF MA U2U2	34370-0130
Box clamp 95 – 300 mm ²	3	630	1	SILAS NH3 ESF MA RR	34375-0130



34170-0030

NH fuse-switch, horizontal design, 690 V AC, 3-pole, for baseplate mounting

Features:

- Mechanical fuse monitoring by motor protections switch (MSÜ)
- Monitoring of all fuses
- No auxiliary power supply required

Designation	Size	Amps	PU	Product designation	Order no.
Box clamp 2.5 – 95 mm ²	00	160	1	SILAS NH00 SN R5R5	34076-0030
Multiple-use terminal (bolt M8)	00	160	1	SILAS NH00 SN U5U5	34077-0030
Multiple-use terminal (bolt M10)	1	250	1	SILAS NH1 SN U2U2	34170-0030
Box clamp 35 – 150 mm ²	1	250	1	SILAS NH1 SN RR	34175-0030
Multiple-use terminal (bolt M10)	2	400	1	SILAS NH2 SN U2U2	34270-0030
Box clamp 95 – 300 mm ²	2	400	1	SILAS NH2 SN RR	34275-0030
Multiple-use terminal (bolt M10)	3	630	1	SILAS NH3 SN U2U2	34370-0030
Box clamp 95 – 300 mm ²	3	630	1	SILAS NH3 SN RR	34375-0030
Screw terminal M16, 3-pole switching	4a	1250	1	NH-LATR 4A 3P SN/SG L8L8	34400-0030

Measurement and
Communication

NH Fuse-Switches SILAS, horizontal design, size 000 to 3 busbar systems 40/12

NH Fuse-Switches, horizontal design, for busbar mounting

Fuse-switches of the SILAS series are designed to be mounted on busbars. They feature a consistent installation depth and are easily and flexibly installed in accordance with customer requirements.

► Technical data, page 341



39000-0137

NH piggyback Fuse-Switches, horizontal design, 690 V AC for 40/12 mm busbar systems, installation depth 70 mm, plug-in contacting

Features:

- Electronic fuse monitoring (ESÜ)
- No auxiliary power supply required
- Independent of feed side
- Size 1 and 2 with hook contacting, non-reversible, top terminal

Designation	Size	Amps	PU	Product designation	Order no.
Box clamp 2.5 – 50 mm ² , bottom terminal	000	100	1	SILAS SB NH000 40 ESF MA AU R4	39000-0137
Box clamp 2.5 – 95 mm ²	00	160	1	SILAS SB NH00 40 EB70 ESF MA R5	39020-0130
Multiple-use terminal (bolt M8)	00	160	1	SILAS SB NH00 40 EB70 ESF MA U5	39021-0130
Multiple-use terminal (bolt M10)	1	250	1	SILAS SB NH1 40 EB70 ESF MA U2	39060-0130
Box clamp 35 – 150 mm ²	1	250	1	SILAS SB NH1 40 EB70 ESF MA R	39061-0130
Multiple-use terminal (bolt M10)	2	400	1	SILAS SB NH2 40 EB70 ESF MA AO U2	39078-0130
Box clamp 95 – 300 mm ²	2	400	1	SILAS SB NH2 40 EB70 ESF MA AO R	39079-0130



39079-0030

NH piggyback Fuse-Switches, horizontal design, 690 V AC for 40/12 mm busbar systems, installation depth 70 mm, plug-in contacting

Features:

- Mechanical fuse monitoring by motor protections switch (MSÜ)
- Monitoring of all fuses
- No auxiliary power supply required
- Size 1 and 2 with hook contacting, non-reversible, top terminal

Designation	Size	Amps	PU	Product designation	Order no.
Box clamp 2.5 – 95 mm ²	00	160	1	SILAS SB NH00 40 EB70 SN R5	39020-0030
Multiple-use terminal (bolt M8)	00	160	1	SILAS SB NH00 40 EB70 SN U5	39021-0030
Multiple-use terminal (bolt M10)	1	250	1	SILAS SB NH1 40 EB70 SN U2	39060-0030
Box clamp 35 – 150 mm ²	1	250	1	SILAS SB NH1 40 EB70 SN R	39061-0030
Multiple-use terminal (bolt M10)	2	400	1	SILAS SB NH2 40 EB70 SN AO U2	39078-0030
Box clamp 95 – 300 mm ²	2	400	1	SILAS SB NH2 40 EB70 SN AO R	39079-0030

NH Fuse-Switches SILAS, horizontal design, size 000 to 3 Busbar systems 60 mm

The horizontal-design NH Fuse-Switches of the SILAS series yield many benefits when installed on 60-mm busbar systems.

- Rotating hook contacting for top or bottom terminal position
- Narrowest device worldwide within this system (size 000)
- Consistent field cover height for all sizes

► Technical data, page 341



39040-0130

NH piggyback Fuse-Switches, horizontal design, 690 V AC, for 60-mm busbar systems, 32 mm installation depth, hook contacting, for combination with D0 elements

Features:

- Electronic fuse monitoring (ESÜ)
- No auxiliary power supply required
- Independent of feed side

Designation	Size	Amps	PU	Product designation	Order no.
Box clamp 2.5 – 50 mm ² , bottom terminal	000	100	1	SILAS SB NH000 60 ESF MA AU R4	39010-0137
Box clamp 2.5 – 50 mm ² , top terminal	000	100	1	SILAS SB NH000 60 ESF MA AO R4	39011-0137
Box clamp 2.5 – 95 mm ²	00	160	1	SILAS SB NH00 60 EB32 ESF MA R5	39040-0130
Box clamp 2.5 – 95 mm ²	00	160	1	SILAS SB NH00 60 EB70 ESF MA R5	39050-0130
Multiple-use terminal (bolt M8)	00	160	1	SILAS SB NH00 60 EB70 ESF MA U5	39052-0130
Box clamp 2.5 – 95 mm ²	00	160	1	SILAS SB NH00 60 EB70 SN R5	39050-0030
Multiple-use terminal (bolt M10)	1	250	1	SILAS SB NH1 60 EB70 ESF MA U2	39064-0130
Box clamp 35 – 150 mm ²	1	250	1	SILAS SB NH1 60 EB70 ESF MA R	39068-0130
Multiple-use terminal (bolt M10)	2	400	1	SILAS SB NH2 60 EB70 ESF MA U2	39070-0130
Box clamp 95 – 300 mm ²	2	400	1	SILAS SB NH2 60 EB70 ESF MA R	39074-0130
Multiple-use terminal (bolt M10)	3	630	1	SILAS SB NH3 60 EB70 ESF MA U2	39080-0130
Box clamp 95 – 300 mm ²	3	630	1	SILAS SB NH3 60 EB70 ESF MA R	39084-0130
Box clamp 2.5 – 95 mm ²	00	160	1	SILAS SB NH00 60 EB70 ESF MA R5	39050-0130



39068-0030

NH piggyback Fuse-Switches, horizontal design, 690 V AC, for 60-mm busbar systems, 70 mm installation depth, hook contacting

Features:

- Mechanical fuse monitoring by motor protections switch (MSÜ)
- Monitoring of all fuses
- No auxiliary power supply required

Designation	Size	Amps	PU	Product designation	Order no.
Box clamp 2.5 – 95 mm ²	00	160	1	SILAS SB NH00 60 EB70 SN R5	39050-0030
Multiple-use terminal (bolt M8)	00	160	1	SILAS SB NH00 60 EB70 SN U5	39052-0030
Multiple-use terminal (bolt M10)	1	250	1	SILAS SB NH1 60 EB70 SN U2	39064-0030
Box clamp 35 – 150 mm ²	1	250	1	SILAS SB NH1 60 EB70 SN R	39068-0030
Multiple-use terminal (bolt M10)	2	400	1	SILAS SB NH2 60 EB70 SN U2	39070-0030
Box clamp 95 – 300 mm ²	2	400	1	SILAS SB NH2 60 EB70 SN R	39074-0030
Multiple-use terminal (bolt M10)	3	630	1	SILAS SB NH3 60 EB70 SN U2	39080-0030
Box clamp 95 – 300 mm ²	3	630	1	SILAS SB NH3 60 EB70 SN R	39084-0030

Technical data of the electronic and mechanical fuse-monitoring devices

Electronic fuse-monitoring

- Indication of fault-free operation by green LED
- Fault indication by red LED
- No auxiliary power supply required
- Remote indication via 4-pole connector and 1 NC and 1 NO contact
- Monitoring of all fuses red LED flashes in the case of failure
- Automatic reset after replacement of tripped fuse-link(s)
- Independent of feed side

Technical data	
Rated operational voltage U_e	AC 400 V – AC 690 V 50/60 Hz
Rated isolation voltage U_i	1000 V
Rated impulse withstand-current U_{imp}	8 kV
Conditional rated short-circuit current (when protected by NH fuse-links)	50 kA
Permissible ambient temperature	-20 °C – +55 °C
Delay	1 - 1,5 s
Function	Differential voltage > 30 V
Indicators	Operating voltage green LED flashes Fuse tripped: red LED flashes
Alert output	Relay with NC and NO contacts. Reliable isolation acc. to EN 50178
Operating voltage/current-alert output	AC 250 V/DC 30 V max. 5 A

Mechanical fuse monitoring with circuit breaker

- Indication: Position "I" – ready for operation Position "0" – Fault
- Remote indication via 4-pole connector and 1 NC and 1 NO contact
- No auxiliary power supply required
- Monitoring of all fuses

Technical data				
Rated operational voltage U_e	AC 24 V–AC 690 V / 50/60 Hz / DC 24 V – DC 250 V			
Rated isolation voltage U_i	690 V			
Rated impulse withstand-current U_{imp}	6 kV			
Conditional rated short-circuit current (when protected by NH fuse-links)	50 kA			
Permissible ambient temperature	-20 °C – +55 °C			
Delay	< 0,5 s			
Function	From 25 V voltage drop			
Indicators	Ready for operation: handle position "I" Fault indication: handle position "0"			
Alert output	Aux. contact 1 NC + 1 NO			
Operating-voltage alert output	AC 24 V	AC 230 V	DC 24 V	DC 60 V
Operating-current alert output	2 A	0,5 A	1 A	0,15 A

NH Fuse-Switches SILAS, horizontal design

For baseplate mounting, with electronic fuse-monitoring, up to 690 V AC

Description	Size	Amps I _n	PU	Weight in kg	Designation	Order no.
With box clamp rm/re 50 mm ²	000	100 A	1	0,5	SILAS NH000 ESF MA R4R4	34040-0137
Multiple-use terminal (bolt M8)	00	160 A	1	0,7	SILAS NH00 ESF MA U5U5	34077-0130
With box clamp rm/re 95 mm ²	00	160 A	1	0,7	SILAS NH00 ESF MA R5R5	34076-0130
Multiple-use terminal (bolt M10)	1	250 A	1	2,1	SILAS NH1 ESF MA U2U2	34170-0130
With box clamp rm/re 150 mm ²	1	250 A	1	2,2	SILAS NH1 ESF MA RR	34175-0130
Multiple-use terminal (bolt M10)	2	400 A	1	3,1	SILAS NH2 ESF MA U2U2	34270-0130
With box clamp rm/re 300 mm ²	2	400 A	1	3,7	SILAS NH2 ESF MA RR	34275-0130
Multiple-use terminal (bolt M10)	3	630 A	1	3,6	SILAS NH3 ESF MA U2U2	34370-0130
With box clamp rm/re 300 mm ²	3	630 A	1	4,1	SILAS NH3 ESF MA RR	34375-0130

For dimensions of fuse-monitoring devices see page 345

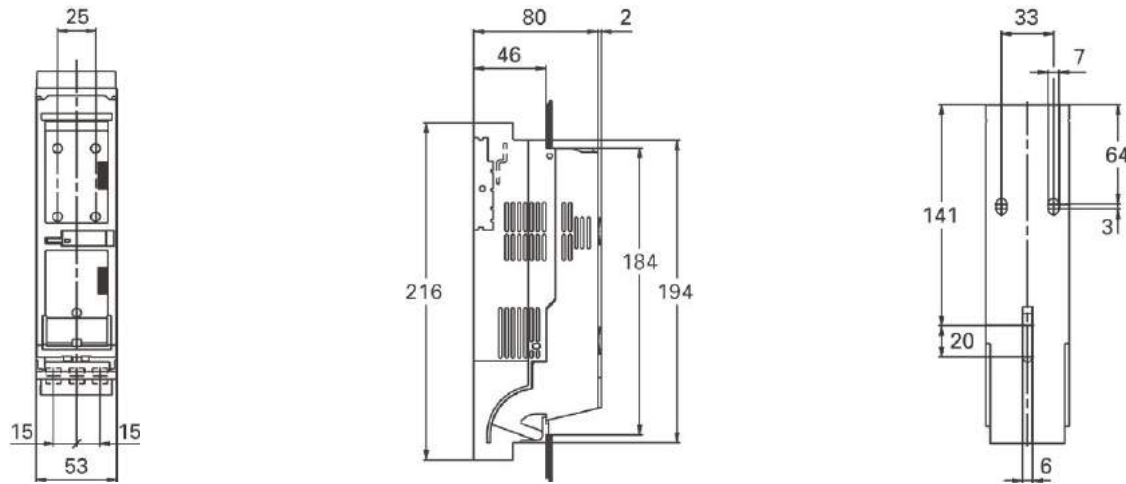
For baseplate mounting, with mechanical fuse-monitoring, up to 690 V

Description	Size	Amps I _n	PU	Weight in kg	Designation	Order no.
Multiple-use terminal (bolt M8)	00	160 A	1	1,0	SILAS NH00 SN U5U5	34077-0030
With box clamp rm/re 95 mm ²	00	160 A	1	1,0	SILAS NH00 SN R5R5	34076-0030
Multiple-use terminal (bolt M10)	1	250 A	1	2,4	SILAS NH1 SN U2U2	34170-0030
With box clamp rm/re 150 mm ²	1	250 A	1	2,6	SILAS NH1 SN RR	34175-0030
Multiple-use terminal (bolt M10)	2	400 A	1	3,4	SILAS NH2 SN U2U2	34270-0030
With box clamp rm/re 300 mm ²	2	400 A	1	4,0	SILAS NH2 SN RR	34275-0030
Multiple-use terminal (bolt M10)	3	630 A	1	3,9	SILAS NH3 SN U5U5	34370-0030
With box clamp rm/re 300 mm ²	3	630 A	1	4,4	SILAS NH3 SN RR	34375-0030

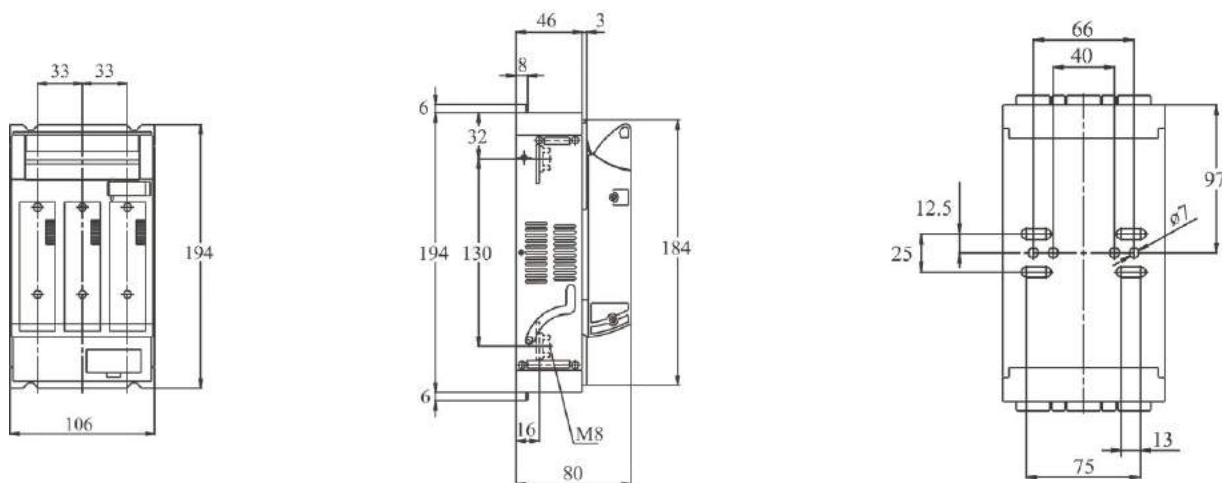
For dimensions of fuse-monitoring devices see page 345

NH Fuse-Switches SILAS, horizontal design

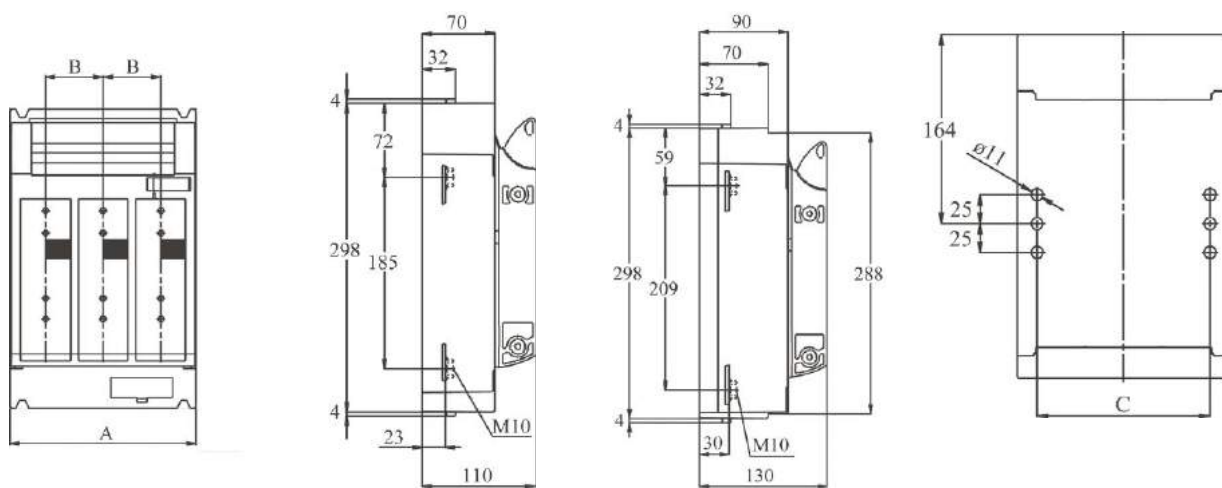
Dimensions drawings
Size 000



Dimensions drawings
Size 00



Dimensions drawings
Size 1 - 3



Size	A	B	C
1	184	57	150
2	210	65	166
3	250	80	195

Size 1

Size 2/3

NH Fuse-Switches SILAS, horizontal design

For busbar system 40/12 according to DIN 43870, with electronic fuse-monitoring, up to 690 V AC

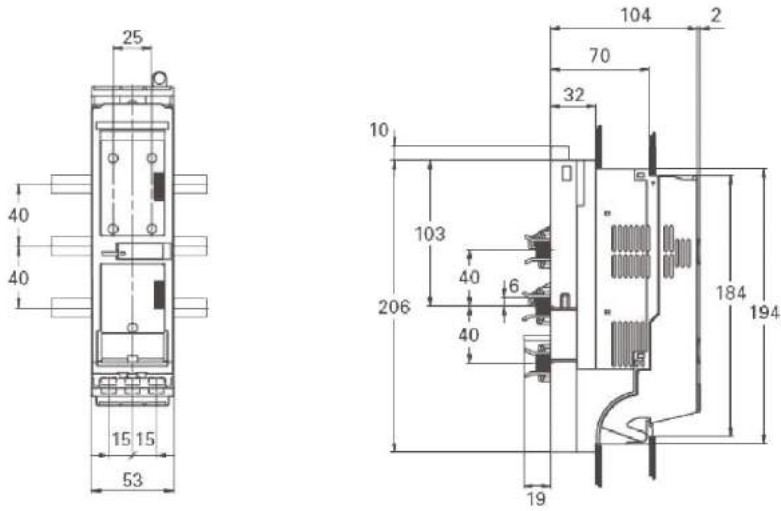
Description	Size	Amps I _n	PU	Weight in kg	Designation	Order no.
With box clamp rm/re 50 mm ² Bottom terminals	000	100 A	1	0,6	SILAS SB NH000 40 ESF MA AU R4	39000-0137
With box clamp rm/re 50 mm ² Top terminals	000	100 A	1	0,6		39001-0137
Multiple-use terminal (bolt M8)	00	160 A	1	0,9	SILAS SB NH00 40 EB70 ESF MA U5	39021-0130
With box clamp rm/re 95 mm ²	00	160 A	1	0,9	SILAS SB NH00 40 EB70 ESF MA R5	39020-0130
Multiple-use terminal (bolt M10)	1	250 A	1	2,3	SILAS SB NH1 40 EB70 ESF MA U2	39060-0130
With box clamp rm/re 150 mm ²	1	250 A	1	2,3	SILAS SB NH1 40 EB70 ESF MA R	39061-0130
Multiple-use terminal (bolt M10)	2	400 A	1	3,3	SILAS SB NH2 40 EB70 ESF MA AO U2	39078-0130
With box clamp rm/re 300 mm ²	2	400 A	1	3,6	SILAS SB NH2 40 EB70 ESF MA AO R	39079-0130

For busbar system 40/12 according to DIN 43870, with mechanical fuse-monitoring, up to 690 V

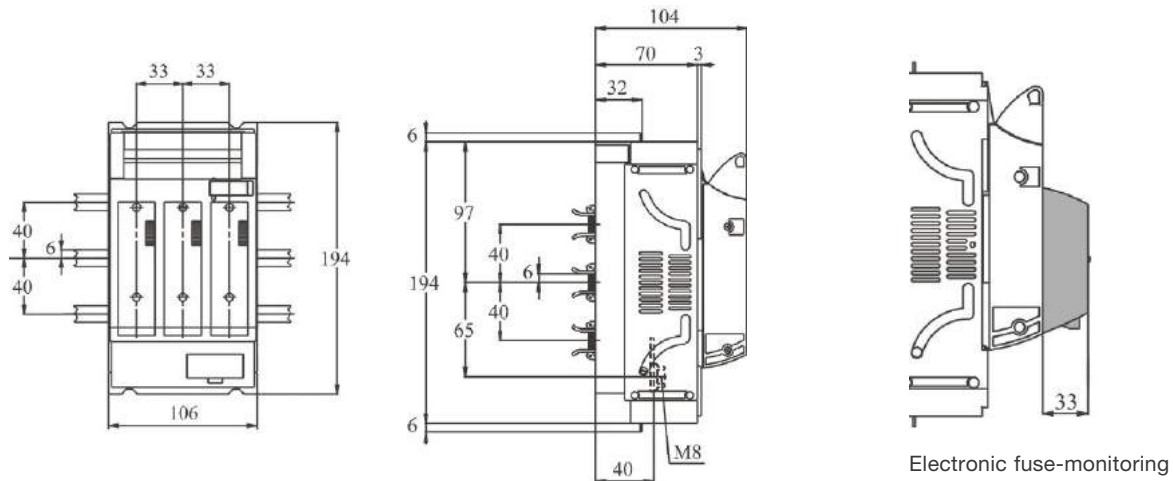
Description	Size	Amps I _n	PU	Weight in kg	Designation	Order no.
Multiple-use terminal (bolt M8)	00	160 A	1	1,2	SILAS SB NH00 40 EB70 SN U5	39021-0030
With box clamp rm/re 95 mm ²	00	160 A	1	1,2	SILAS SB NH00 40 EB70 SN R5	39020-0030
Multiple-use terminal (bolt M10)	1	250 A	1	2,6	SILAS SB NH1 40 EB70 SN U2	39060-0030
With box clamp rm/re 150 mm ²	1	250 A	1	2,6	SILAS SB NH1 40 EB70 SN R	39061-0030
Multiple-use terminal (bolt M10)	2	400 A	1	3,6	SILAS SB NH2 40 EB70 SN AO U2	39078-0030
With box clamp rm/re 300 mm ²	2	400 A	1	3,9	SILAS SB NH2 40 EB70 SN AO R	39079-0030

NH Fuse-Switches SILAS, horizontal design

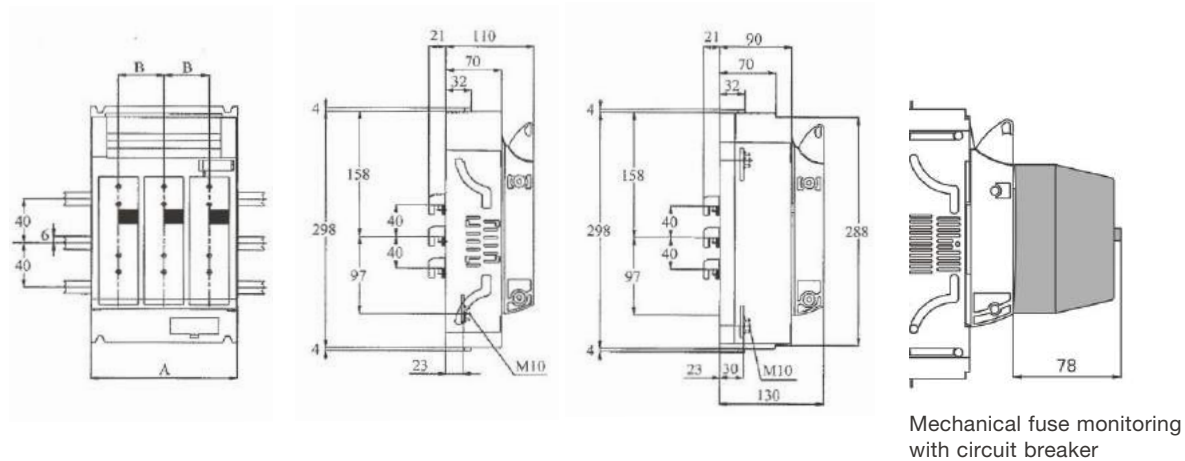
Busbar mounting Size 000



Busbar mounting Size 00



Busbar mounting Size 1 - 3



Size	A	B
1	184	57
2	210	65
3	250	80

Size 1

Size 2/3

NH Fuse-Switches SILAS, horizontal design

For 60 mm busbar system, with electronic fuse-monitoring, up to 690 V AC

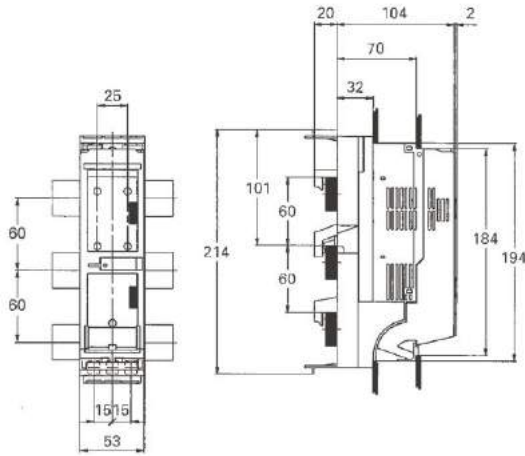
Description	Size	Amps I _n	PU	Weight in kg	Designation	Order no.
With box clamp rm/re 50 mm ² Bottom terminals	000	100 A	1	0,6	SILAS SB NH000 60 MA AU R4	39010-0137
With box clamp rm/re 50 mm ² Top terminals	000	100 A	1	0,6	SILAS SB NH000 60 MA AO R4	39011-0137
Multiple-use terminal (bolt M8)	00	160 A	1	0,9	SILAS SB NH00 60 EB70 ESF MA U5	39052-0130
With box clamp rm/re 95 mm ² Installation depth 70 mm	00	160 A	1	0,9	SILAS SB NH00 60 EB32 ESF MA R5	39040-0130
With box clamp rm/re 95 mm ² Installation depth 70 mm	00	160 A	1	0,9	SILAS SB NH00 60 EB70 ESF MA R5	39050-0130
Multiple-use terminal (bolt M10)	1	250 A	1	2,3	SILAS SB NH1 EB70 ESF70 MA U2	39064-0130
With box clamp rm/re 150 mm ²	1	250 A	1	2,3	SILAS SB NH1 60 EB70 ESF MA R	39068-0130
Multiple-use terminal (bolt M10)	2	400 A	1	3,3	SILAS SB NH2 60 EB70 ESF MA U2	39070-0130
With box clamp rm/re 300 mm ²	2	400 A	1	3,6	SILAS SB NH2 60 EB70 ESF MA R	39074-0130
Multiple-use terminal (bolt M10)	3	630 A	1	4,0	SILAS SB NH3 60 EB70 ESF MA U2	39080-0130
With box clamp rm/re 300 mm ²	3	630 A	1	4,1	SILAS SB NH3 60 EB70 ESF MA R	39084-0130

For 60 mm busbar system, with mechanical fuse-monitoring, up to 690 V

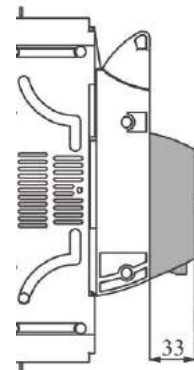
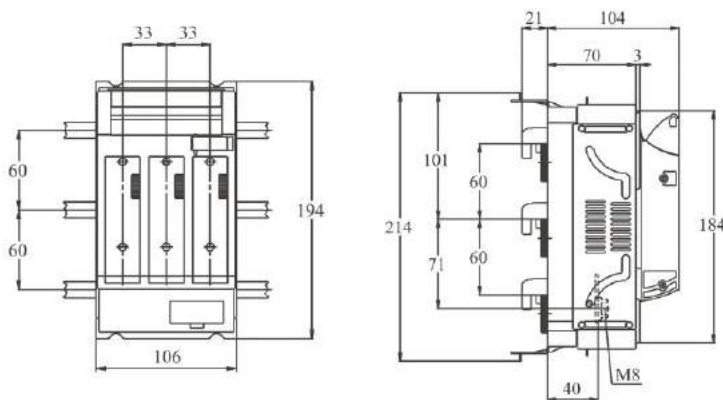
Description	Size	Amps I _n	PU	Weight in kg	Designation	Order no.
Multiple-use terminal (bolt M8)	00	160 A	1	1,2	SILAS SB NH00 60 EB70 SN U5	39052-0030
With box clamp rm/re 95 mm ² Installation depth 32 mm	00	160 A	1	1,2	SILAS SB NH00 60 EB32 SN R5	39040-0030
With box clamp rm/re 95 mm ² Installation depth 70 mm	00	160 A	1	1,2	SILAS SB NH00 60 EB70 SN R5	39050-0030
Multiple-use terminal (bolt M10)	1	250 A	1	2,6	SILAS SB NH1 60 EB70 SN U2	39064-0030
With box clamp rm/re 150 mm ²	1	250 A	1	2,6	SILAS SB NH1 60 EB70 SN R	39068-0030
Multiple-use terminal (bolt M10)	2	400 A	1	3,6	SILAS SB NH2 60 EB70 SN U2	39070-0030
With box clamp rm/re 300 mm ²	2	400 A	1	3,9	SILAS SB NH2 60 EB70 SN R	39074-0030
Multiple-use terminal (bolt M10)	3	630 A	1	4,3	SILAS SB NH3 60 EB70 SN U2	39080-0030
With box clamp rm/re 300 mm ²	3	630 A	1	4,5	SILAS SB NH3 60 EB70 SN R	39084-0030

NH Fuse-Switches SILAS, horizontal design

Busbar mounting Size 000

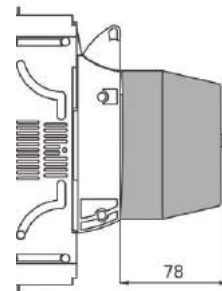
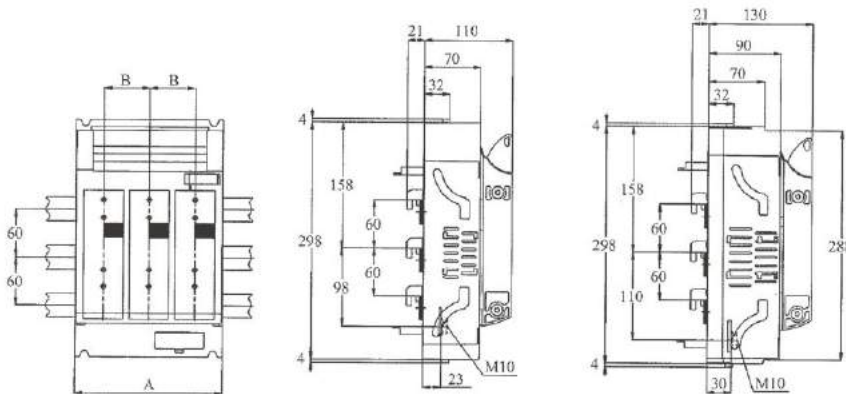


Busbar mounting Size 00



Electronic fuse-monitoring

Busbar mounting Size 1 – 3



Mechanical fuse monitoring
with circuit breaker

Size	A	B
1	184	57
2	210	65
3	250	80

Size 1

Size 2/3

NH Fuse-Switches, 80 V and 550 V DC, 1-pole switching, for baseplate and busbar mounting



33107-0602

TPS fuse-switch for baseplate mounting with fuse-monitoring

Designation	Size	Amps	PU	Product designation	Order no.
Flat terminal M8	00	250	2	U NH-LATR TPS 00/250 1P SM G4G4	33107-0252
Flat terminal M12	00	600	2	U NH-LATR TPS 00/600 1P SM L6L6	33107-0602
Flat terminal M16	2	1200	1	U NH-LATR TPS 2/1200 1P SN L8L8	33460-0010
Flat terminal 2 x M12	2	1600	1	U NH-LATR TPS 2/1600 1P SN L6L6	33560-0010



33111-0252

TPS fuse-switch for busbar mounting with fuse-monitoring

Designation	Size	Amps	PU	Product designation	Order no.
Flat terminal M8	00	250	2	U NH-LATR TPS 00/250 1P SB SM G4	33111-0252
Flat terminal M12	00	600	2	U NH-LATR TPS 00/600 1P SB SM L6	33111-0602
Flat terminal M16	2	1200	1	U NH-LATR TPS 2/1200 1P SB SN L8	33470-0010
Flat terminal 2 x M12	2	1600	1	Flachanschluss 2x M12	33570-0010

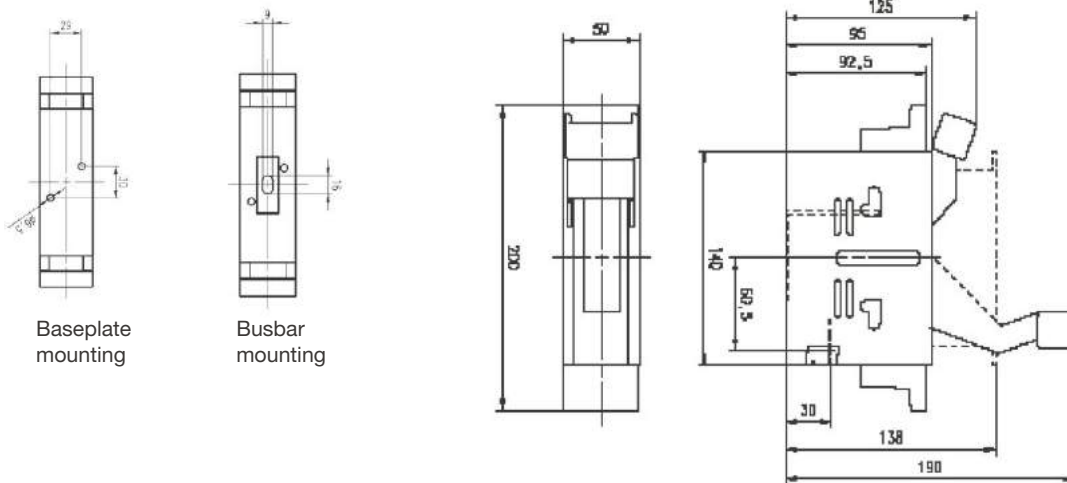
Cover with integrated fuse-monitoring for NH fuse-switch 550 V DC

Designation	Size	PU	Product designation	Order no.
Cover with fuse-monitoring	1	1	DECKEL LA-LEI 1 SU	83359-0100
Cover with fuse-monitoring	2	1	DECKEL LA-LEI 2 SU	83360-0100
Cover with fuse-monitoring	3	1	DECKEL LA-LEI 3 SU	83361-0100

NH Fuse-Switches for DC applications up to 80 V, TPS series

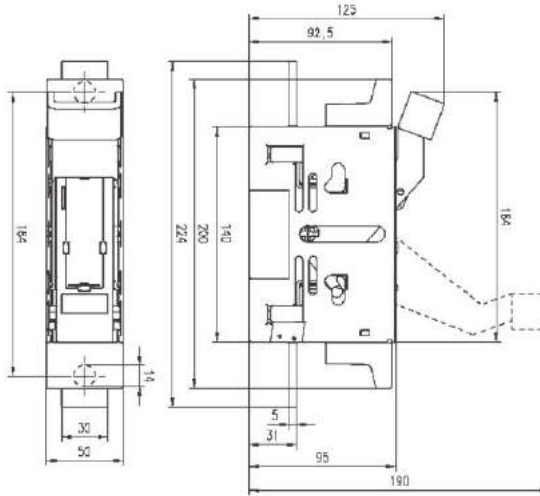
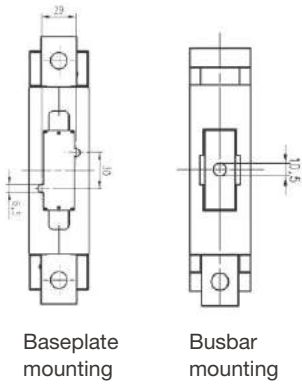
TPS Fuse-Switches

TPS 00/250

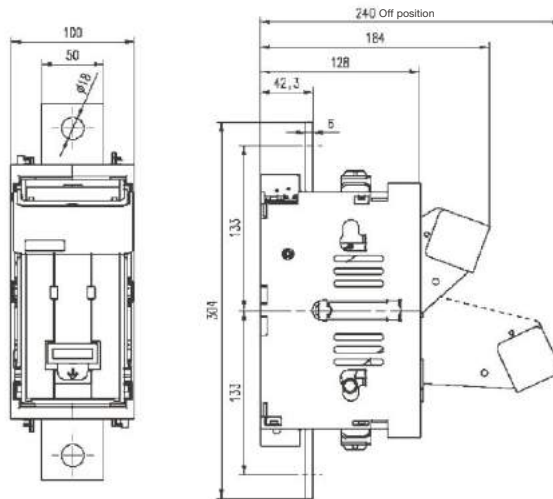
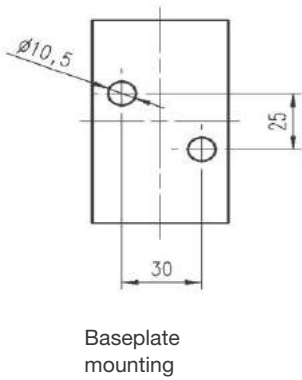


NH Fuse-Switches for DC applications up to 80 V, TPS series

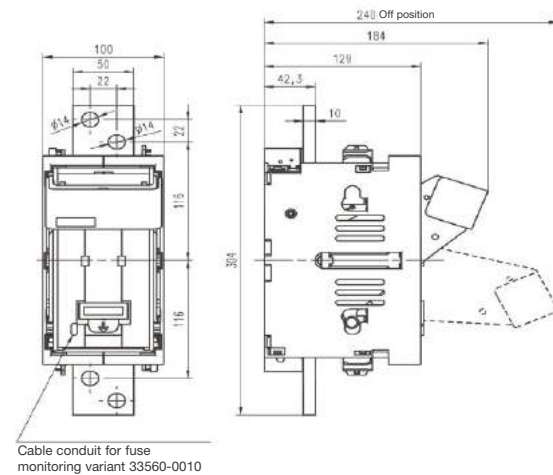
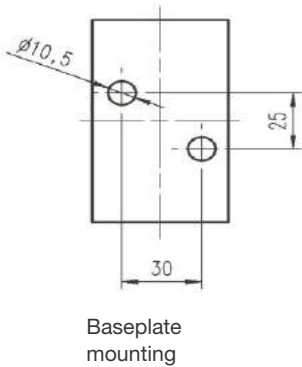
TPS 00/600



TPS 2/1200



TPS 2/1600



Measurement and Communication

NH Fuse-Switches, vertical design, with fuse-monitoring

► For further accessories see page 331 and following, for matching current transformers see page 330



38054-0030

E³ NH Fuse-Switches, vertical design, size 00/60 and 00/100, 3-pole switching, 160 A for 60 and 100 mm busbar systems, with electronic fuse-monitoring

Features:

- Busbar spacing 60 and 100 mm
- System in ready-state: LED flashes green
- System in fault state: LED flashes red

Designation	Size	Amps	PU	Product designation	Order no.
Size 00/60, 3-pole switching, with multiple-use terminal (screw M8), hook-contacting	00/60	160	1	E ³ NH-LA-LEI 00/60 3P ESÜ MA U5	38044-0030
Size 00/60, 3-pole switching, with box clamp 95 mm ² , hook-contacting	00/60	160	1	E ³ NH-La-Lei 00/60 3P ESÜ Ma R5	38046-0030
Size 00/100, 3-pole switching, with multiple-use terminal (screw M8), hook-contacting	00/100	160	1	E ³ NH-La-Lei 00/100 3P Bh ESÜ Ma U5	38054-0030
Size 00/100, 3-pole switching, with box clamp 95 mm ² , hook-contacting	00/100	160	1	E ³ NH-La-Lei 00/100 3P Bh ESÜ Ma R5	38056-0030



38016-0040

E³ NH Fuse-Switches, vertical design, size 1 – 3, 3-pole switching, for 185 mm busbar spacing, with electronic fuse-monitoring

Features:

- integrated wiring inside switching cover

Designation	Size	Amps	PU	Product designation	Order no.
With multiple-use terminal (bolt M12) with 1 elec. fuse mon. (ESÜ)		250	1	E ³ NH-LA-LEI 1 3P ESÜ MA U6	38016-0040
With multiple-use terminal (bolt M12) with 2 elec. fuse mon. (ESÜ)		400	1	E ³ NH-LA-LEI 2 3P ESÜ MA U6	38026-0040
With multiple-use terminal (bolt M12) with 3 elec. fuse mon. (ESÜ)		630	1	E ³ NH-LA-LEI 3 3P ESÜ MA U6	38036-0040

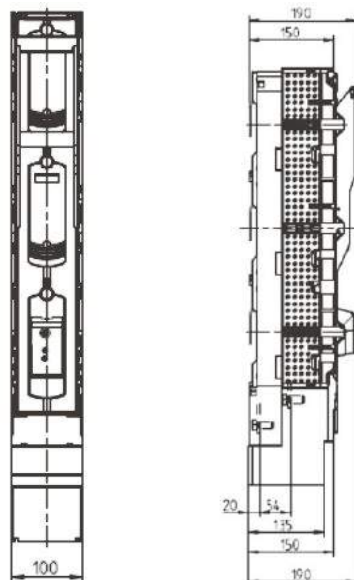
E³ NH Fuse-Switches, vertical design, with electronic fuse-monitoring

Technical data

Article designation	Size	Amps	Order no.
E ³ NH-LA-LEI 1 3P ESÜ2 MA U6	NH 1	250	38016-0640
E ³ NH-LA-LEI 2 3P ESÜ2 MA U6	NH 2	400	38026-0640
E ³ NH-LA-LEI 3 3P ESÜ2 MA U6	NH 3	630	38036-0640

For NH Fuse-Switches acc. to VDE 0660 T-107 / IEC/EN 60947-1/-3

Suitable for NH fuse-links acc. to DIN 43210/1				Size NH1	Size NH2	Size NH3
Rated operating current	400 V	I _e	A	250	400	630
	500 V			250	400	630
	690 V			200	315	500
Conventional free-air thermic current		I _{th}	A	250	400	630
Rated operating voltage		U _e	V	AC 690	AC 690	AC 690
Rated insulation voltage		U _i	V	1000	1000	1000
Rated impulse withstand-current		U _{imp}	kV	8	8	8
Conditional rated short-circuit current (when protected by NH fuse-links)	400 V		kA _{eff}	120	120	120
	500 V			120	120	120
	690 V			100	100	100
Utilization category VDE 0660 T107/EN/IEC 60947-3	400 V			AC-23B	AC-23B	AC-23B
	500 V			AC-22B	AC-22B	AC-22B
	690 V			AC-21B	AC-21B	AC-21B
Mechanical durability		Cycles		1400	1400	1400
Electrical durability		Cycles		200	200	200
Permissible ambient temperature		°C		-25 to +55 °C	-25 to +55 °C	-25 to +55 °C
Degree of protection DIN/EN 60529/VDE 0470 T1		IP		30	30	30
Max. permissible power dissipation of NH fuse-link		P _v	W	23	34	48
Total power dissipation (without fuse-link)		P _v	W	27	56	111
Pollution degree		-	-	3	3	3
Overvoltage category		-	-	IV	IV	IV
Rated frequency		-	Hz	50-60	50-60	50-60
Weight without NH fuse-link		-	kg	4,8	5,1	5,7



Technical data of electronic fuse-monitoring devices

Rated operational voltage U _e	AC 400 V – AC 690 V 50/60 Hz
Rated isolation voltage U _i	1000 V
Rated impulse withstand-current U _{imp}	8 kV
Conditional rated short-circuit current (when protected by NH fuse-links)	50 kA
Permissible ambient temperature	-20 °C – +55 °C
Delay	1 - 1,5 s
Function	Differential voltage > 30 V
Indicators	Operating voltage green LED flashes Fuse tripped: red LED flashes
Alert output	Relay with NC and NO contacts. Reliable isolation acc. to EN 50178
Operating voltage/current-alert output	

NH Fuse-Bases with fuse-monitoring

► Technical data, page 356



33041-0010

NH Fuse-Bases of size 3L, for base-plate mounting with striker for fuse-monitoring, 1500 V AC

Designation	Size	Amps	PU	Product designation	Order no.
Clinch nut M12, with striker	3L	425	1	A NH-UNT 3L 1500V MS G6G6	33041-0010
Clinch nut M16, with striker	3L	630	1	NH-UNT 3L 1500V MS G8G8	33042-0010



33087-0010

Striker bases

Designation	PU	Product designation	Order no.
690 V	5	SIG-UNT 690V MS G2	33087-0010
1000 V	5	A SIG-UNT 1000V MS G2	33088-0010
1200 V	4	SIG-UNT 1200V MS G2	33089-0010
1500 V	4	SIG-UNT 1500V MS G2	33090-0010
2000 V	4	SIG-UNT 2000V MS G2	33091-0010



36031-0020

Strikers

Designation	PU	Product designation	Order no.
690 V / NS 3001	12	SIGNALMELDER 690V	36000-0010
1000 V / NS 3002	12	A SIGNALMELDER 1000V	36001-0010
2000 V / NS 3005	16	SIGNALMELDER 2000V	36002-0010
1500 V / NS 3003	15	SIGNALMELDER 1500V	36003-0010
1200 V / NS 3015	25	SIGNALMELDER 1200V	36007-0010
Striker 690 V / >=2 V	12	ELEGARD-EINSATZ >=2V	36031-0020



36030-0010

Elegard

Designation	PU	Product designation	Order no.
Holder	4	ELEGARD-HALTER	36030-0000
Striker (elegard striker unit) for fuse-monitoring, size 1 – 3	12	ELEGARD-EINSATZ	36031-0010
Striker 690 V / >=2 V	12	ELEGARD-EINSATZ >=2V	36031-0020

Accessories for switch position indication



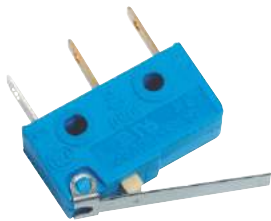
36107-0010

Microswitch for switch position indication for NH Fuse-Switches

Features:

- For switch position indication

Designation	Size	PU	Product designation	Order no.
Microswitch for switch position indication	000	1	MIKROSCHALTER FÜR SCHALTZUSTANDSANZEIGE	36107-0010
Microswitch for switch position indication	2	1	MIKROSCHALTER FÜR SCHALTZUSTANDSA. TPS 2	36887-0010



36959-0060

Microswitch for switch position indication for NH Fuse-Switches

Features:

- For switch position indication

Designation	Size	PU	Product designation	Order no.
Microswitch, narrow variant	000	1	MIKROSCHALTER GR.000-00 SILAS	36959-0010
Microswitch	1-3	1	MIKROSCHALTER GR.1-3 SILAS	36959-0060



36335-0010

Microswitch for position indication for E³ NH Fuse-Switches, size 00

Features:

- NC-contact or NO-contact microswitch
- 2 A / 250 V AC plug-in tab 2.8 x 0.5 mm

Use:

- 2 microswitches for 3-pole switching devices

Designation	Size	PU	Product designation	Order no.
Microswitch for switch position indication, 1 NC contact or 1 NO contact, 1 kit = 6 pieces	00/60 00/185	6	Mikrosch.Schaltstellng. E³00 (1Set=6St)	36335-0010



36375-0010

Microswitch for position indication for E³ NH Fuse-Switches, size 1 - 3

Features:

- Microswitch with NC contact or NO contact

Use:

- For 1-pole switching: 3 microswitches

Designation	PU	Product designation	Order no.
Microswitch for switch position indication, 1 NC contact or 1 NO contact, 1 set = 6 pieces	6	Mikrosch.Schaltstellng. E³1-3 (1Set=6St)	36375-0010

Measurement and Communication

Accessories for metering devices with dial indicator

► Technical data, page 358



81152-0100

Power metering

Designation	Size	Amps	PU	Product designation	Order no.
Locking ring			1	RING 30X1,2 DIN984	25304-0100
Current converter NH fuse-link 400 V	2	100	3	NH-SI 2 100A GL AG AC400V WA LE	35067-0010
Current converter NH fuse-link 400 V	2	125	3	NH-SI 2 125A GL AG AC400V WA LE	35067-0020
Current converter NH fuse-link 400 V	2	160	3	NH-SI 2 160A GL AG AC400V WA LE	35067-0030
Current converter NH fuse-link 400 V	2	200	3	NH-SI 2 200A GL AG AC400V WA LE	35067-0040
Current converter NH fuse-link 400 V	2	224	3	NH-SI 2 224A GL AG AC400V WA LE	35067-0050
Current converter NH fuse-link 400 V	2	250	3	NH-SI 2 250A GL AG AC400V WA LE	35067-0060
Current converter NH fuse-link 400 V	2	315	3	NH-SI 2 315A GL AG AC400V WA LE	35067-0070
Current converter NH fuse-link 400 V	2	355	3	NH-SI 2 355A GL AG AC400V WA LE	35067-0080
Current converter NH fuse-link 400 V	2	400	3	NH-SI 2 400A GL AG AC400V WA LE	35067-0090
Current converter NH fuse-link 400 V	3	630	3	NH-SI 3 630A GL AC400V WA LE	35190-0060
Summary current transformer 300-600/5, for devices with 115 mm width only	3		2	AUFSTW. NH 6.3 600-300/5A 10-5VA KL3	81153-0100
Maximum current meter, measurement range 100 – 200/5	2		1	MAX.-STROMMESSER 100-200/5A	85153-0100
Metering case A			1	KOFFER F. MESSWANDLER-SI. GRÖSSE A	85196-0100
Metering case B			1	KOFFER F. MESSWANDLER-SI. GRÖSSE B	85263-0100
Summary current transformer 200 – 400/5	2		1	AUFSTW. NH 6.2 400-200/5A 5-2,5VA KL3	81142-0100
Summary current transformer 100 – 200/5	2		1	AUFSTW. NH 6.2 200-100/5A 2,5-1,25VA KL3	81152-0100
Maximum current meter, measurement range 200 – 400/5	2		1	MAX.-STROMMESSER 200-400/5A	85094-0100
Maximum current meter, measurement range 200 – 400/1	2		1	MAX.-STROMMESSER 200-400/1A	85094-0300
Maximum current meter, measurement range 300 – 600/5	3		1	MAX.-STROMMESSER 300-600/5A	85100-0100

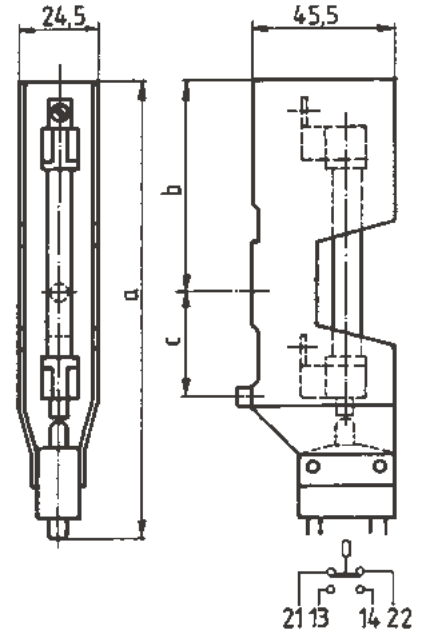
NH Accessories

Fuse-monitoring

Fuse-monitoring devices are used for example in power converter systems in parallel with power transformer fuses or in AC and DC power systems.

Striker bases

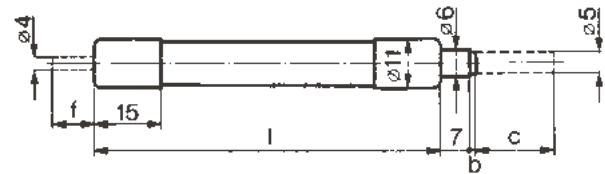
Striker bases are fitted with auxiliary switches
 1 NC contact and 1 NO contact (2 NO contacts upon request)
 $U_e = 380 \text{ V AC} / 125 \text{ V DC}$ (under resistive load)
 $I_e = 10 \text{ A AC} / 0.5 \text{ A DC}$ (under resistive load)
 Connection by 6.3-mm tabs acc. to DIN 46248.



Designation	PU	Dimensions			Order no.
		a	b	c	
Striker base 690 V	5	129	42	40	33087-0010
Striker base 1000 V	5	148	61	40	33088-0010
Striker base 1200 V	4	213	72,5	70	33089-0010
Striker base 1500 V	4	194	72,5	70	33090-0010
Striker base 2000 V	4	233	107,5	70	33091-0010

Strikers

Strikers are tripped together with the NH fuse connected in parallel. A striker in itself does not represent a fuse, i.e. it must always be connected in parallel with an NH fuse-link.



C = pin stroke in mm

Designation	PU	Minimum sensitivity		R	Dimensions				Order no.
		V	A		Ω	b	c	f	
Striker 690 V	12	9	2,5	2	1	18	-	60±1	36000-0010
Striker w. elegend striker unit	12	9							36031-0010
Striker 690 V ≥ 2 V	12	2	7	0,3	1	18	-	60±1	36031-0020
Striker 1000 V	12	10	3	2,4	1	18	-	79±1	36001-0010
Striker 1200 V	30	48	2	18	36	17	-	100±3	36006-0010
Striker 1200 V	25	48	2	18	25	17	-	100±3	36007-0010
Striker 1500 V	15	48	2	18	8	20	-	116±1	36003-0010
Striker 1500 V with pin	25	48	2	18	8	20	11,5	116±1	36004-0010
Striker 2000 V	16	55	2,5	20	8	20	-	150±1	36002-0010

Measurement and Communication

NH Accessories

elegard

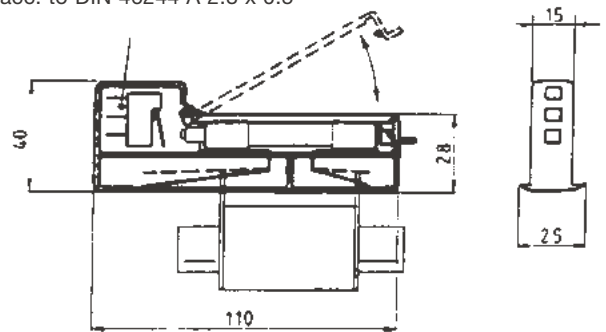
elegard fuse-monitoring is compatible with all standard NH fuse-links with non-insulated gripping lugs from size 00 to 4. A replaceable elegard striker unit is electrically connected to the live gripping lugs of the NH fuse-link via the spring contacts of the elegard holder. The striker unit sits on the NH fuse-link. If this is tripped, the elegard striker unit releases a pin acting on a microswitch integrated in the elegard holder.

Designation	PU	Order no.
elegard holder	4	36030-0000
elegard striker unit 690 V / > 9 V	12	36031-0010
elegard striker unit 690 V / ≥ 2 V	12	36031-0020

Microswitch AC 250 V 5 A



Tab acc. to DIN 46244 A 2.8 x 0.5



Only replace striker unit after the elegard holder has been removed



NH Accessories

Metering case for transport

EFEN metering cases are available into two sizes.

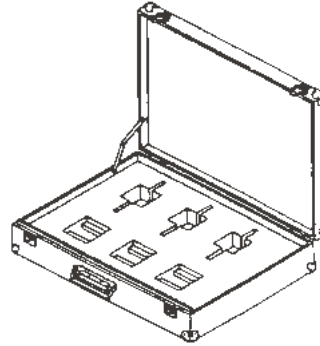
Size A fits of the following equipment:

- 3 current-transformer NH fuse-links size 2
- 3 summary current transformers
- 3 maximum-current meters
- 3 locking rings

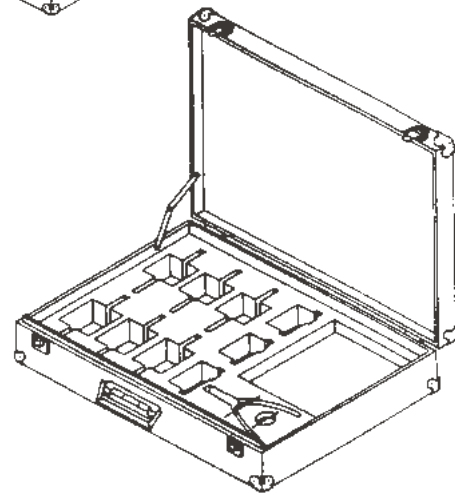
Size B fits the following equipment:

- 6 current-transformer NH fuse-links size 2
- 3 summary current transformers
- 3 maximum-current meters
- 1 circlip pliers
- 6 locking rings
- 1 NH fuse handle with cuff

Size A



Size B



Designation	PU	Order no.
Metering case size A	1	85196-0100
Metering case size B	1	85263-0100

NH Accessories

Current metering

EFEN offers a current metering set for the temporary or continuous metering of load currents. The set comprises:

- Maximum-current meter
- Summary current transformer
- Current-transformer NH fuse-link

In its general dimensions, the combination of current-transformer NH fuse-link and summary current transformer complies with DIN VDE 0636/T2. It fits standard NH fuse bases, NH fuse-rails and EFEN NH vertical fuse-switches.

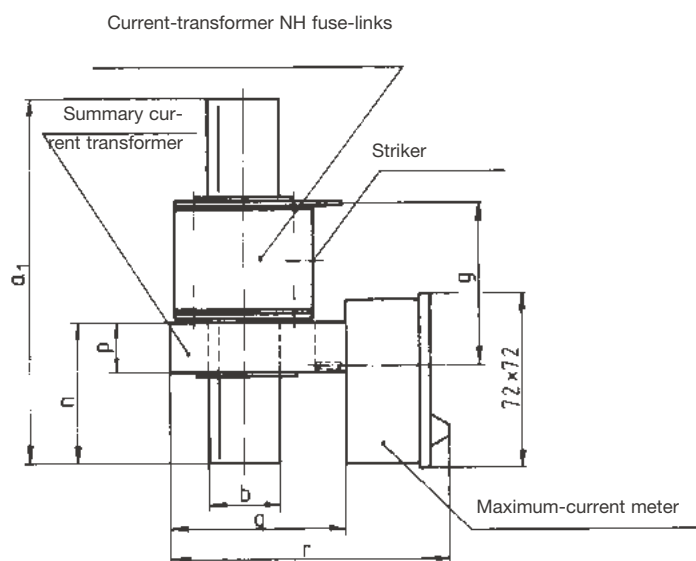
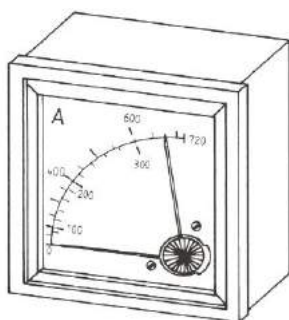
The electric properties of the NH fuse-links comply with VDE 0636/T2 and IEC 60 269-2.

The summary current transformer has two pairs of sockets for the metering ranges required. Since the no-load voltage is only 3 V, the summary current transformer can be used in open circuits.

The maximum-current meter has two dials for the corresponding metering ranges.

The response time is 8 minutes.

The overload protection covers 2 times the rated current.



Size	a ₁	b	g	n	p	q	r
2	150	30	66	59	20	74	123
3	152	32	66	64	24	88	131

Designation	Size	Metering range	PU	Weight	Order no.
Maximum-current meter	2	200-400/5 A	1	0,100	85094-0100
Maximum-current meter	2	200-400/1 A	1	0,100	85094-0300
Maximum-current meter	2	100-200/5 A	1	0,100	85153-0100
Maximum-current meter	3	300-600/5 A	1	0,100	85100-0100
Summary current transformer	2	200-400/5 A	1	0,100	81142-0100
Summary current transformer	2	100-200/5 A	1	0,100	81152-0100
Summary current transformer for devices 115 mm wide	3	300-600/5 A	1	0,100	81153-0100
Current-transformer NH fuse-link 400 V	2	100 A	1	0,526	35067-0010
Current-transformer NH fuse-link 400 V	2	125 A	1	0,530	35067-0020
Current-transformer NH fuse-link 400 V	2	160 A	1	0,532	35067-0030
Current-transformer NH fuse-link 400 V	2	200 A	1	0,532	35067-0040
Current-transformer NH fuse-link 400 V	2	224 A	1	0,532	35067-0050
Current-transformer NH fuse-link 400 V	2	250 A	1	0,529	35067-0060
Current-transformer NH fuse-link 400 V	2	315 A	1	0,526	35067-0070
Current-transformer NH fuse-link 400 V	2	(355) A	1	0,538	35067-0080
Current-transformer NH fuse-link 400 V	2	400 A	1	0,535	35067-0090
Current-transformer NH fuse-link 400 V	3	630 A	1	0,400	35190-0060
Locking rings			1	0,100	25304-0100



Metering devices

Multifunctional metering devices	page 362
Maximum-current meters	page 362
Technical data	page 363

Metering on site

Installation directly on the vertical-design fuse-switch or in the front panel



Multifunctional metering device

Power metering, visualization, harmonics analysis, data storage, power management



Extension Modules

Various interfaces such as JBUS/MODBUS, Profibus, Ethernet, data storage, temperature, analog



Maximum-current meter

Measurement range 100 to 600 A



Multifunctional metering devices – EM series



36360-0010

Multifunctional metering device EM 10

Features:

- For measurement, power metering and communication
- Auxiliary voltage supply U_s 110 – 160 V AC
- Fits device carrier 36422-0010

Designation	PU	Product designation	Order no.
Multifunctional metering device EM 10 96 x 96 x 60 mm Aux. 110 – 400 V AC	1	A20/EM10 96x96x60 AUX110-400VAC 48250200	36360-0010
Control Vision software	1	Software EM10/EM30 Control Vision	36364-0010
IP65 protection cover	1	Schutzabdeckung IP65 EM10/EM30	36365-0010



36361-0010

Plug-in module for EM 10

Features:

- Fits multi-measurement device EM 10
- Mounts to backside
- Installation depth of module is 20 mm

Designation	PU	Product designation	Order no.
Plug-in module EM 10, pulsed output	1	Modul EM10 Impulsausgang	36361-0010
Plug-in module EM 10, communication	1	Modul EM10 JBUS/MODBUS	36361-0020



36362-0010

Multifunctional metering device EM 30

Features:

- Multifunctional measuring
- Power metering
- Visualization
- Harmonic analysis
- Monitoring and controlling
- Energy management
- Grid quality
- Database

Designation	PU	Product designation	Order no.
Multifunctional metering device EM 30 96 x 96 x 60 mm Aux. 110 – 400 V AC	1	A40/EM30 96x96x60 AUX110-400VAC 48250201	36362-0010
Multifunctional metering device EM 30 96 x 96 x 60 mm Aux. 12 – 48 V DC	1	EM30 96x96x60 AUX 12-48V DC	36362-0020
Control Vision software	1	Software EM10/EM30 Control Vision	36364-0010
IP65 protection cover	1	Schutzabdeckung IP65 EM10/EM30	36365-0010



36363-0010

Plug-in module for EM 30

Features:

- Fits multi-measurement device EM 30
- Mounts to backside
- Installation depth of module is 20 mm

Designation	PU	Product designation	Order no.
Plug-in module EM 30, pulsed output	1	Modul EM30 Impulsausgang	36363-0010
Plug-in module EM 30, JBUS/MODBUS	1	Modul EM30 JBUS/MODBUS	36363-0030
Plug-in module EM 30, Profibus	1	Modul EM30 Profibus	36363-0040
Plug-in module EM 30, monitoring/controlling	1	Modul EM30 Kontrolle/Steuerung	36363-0050
Plug-in module EM 30, Ethernet	1	Modul EM30 Ethernet	36363-0060
Plug-in module EM 30, Ethernet RS485 Gateway	1	Modul EM30 Ethernet RS485 Gateway	36363-0070
Plug-in module EM 30, memory module	1	Modul EM30 Speichermodul	36363-0080
Plug-in module EM 30, temperature indicator	1	Modul EM30 Temperatur	36363-0090
Plug-in module EM 30, analog output	1	Modul EM30 Analog Ausgang	36363-0100

EM multifunctional metering devices

Technical data

	EM10	EM30
Current metering		
Current (3I, In)	•	•
Phase-to-phase and phase-to-neutral voltage (3U, 3V)	•	•
Frequency (F)	•	•
Active, reactive, apparent and total power (+ΣP, +ΣQ, ΣS)	•	
Active, reactive, app. power p. phase and total power (±3P, ±3Q, 3S, ±ΣP, ±ΣQ, ΣS)		•
Total power factor (ΣPF)	•	
Power factor per phase and summary power (3PFL/C, ΣPFL/C)		•
Metering of maximum and average values		
Maximum current (3I, In)	•	•
Phase-to-phase and phase-to-neutral voltage and frequency (3U, 3V, F)		•
Total active power (ΣP+)	•	
Total active, reactive and apparent power (±ΣP, ±ΣQ, ΣS)		•
Metering of power quality		
Total harmonic distortion for integrated current and voltage up to 31st level (THD 3I, 3V, 3U)	•	
Total harmonic distortion for integrated current and voltage up to 51st level (THD 3I, In, 3V, 3U)		•
Meters		
Two-quadrant active and reactive power (+kWh, +kvarh)	•	
Four-quadrant active, reactive and apparent power (±kWh, ±kvarh, kVAh)		•
Operating hours counter, configurable to voltage or current		•
Metering type		
Grid type (3 P, 3 P+N and single-phase)	NS	NS/HS
TRMS values up to harmonics	51	
Metering accuracy		
Current and voltage	0,2 %	
Power	0,5 %	
Frequency	0,1 %	
Active power	Class 0.5S IEC 62053-22	
Reactive power	Class 2 IEC 62053-23	
Refresh period		
Display	1 s	
Current inputs		
Primary side of current transformer		
Secondary side of current transformer	5 A	5 A and 1 A
Metering range	5 mA to 6 A	10 mA to 20 A
Permissible overload	50 A - 1 s	
Consumption	< 0,6 VA	< 0,1 VA
Connection of current transformer secondary side to earth	yes	
Voltage inputs		
Direct metering	50 to 500 V AC	18 to 700 V AC
Metering via current transformers (secondary side 60, 100, 110, 115, 120, 173 and 190 V)	Not available	up to 500 kV AC
Frequency	45 to 65 Hz	
Auxiliary power supply		
standard	110 to 400 V AC ±10 % / 120 to 350 V DC ±20 %	
Please inquire	Not available	12 to 48 V DC -6 / +20 % (not UL)
Inputs		
Type	Not available	Optocoupler (10 to 30 V DC)
Monitoring and drive output		
Type	Not available	Relay (230 V AC – 5 A – 1150 VA)
Pulsed outputs		
Type	Relay (100 V DC – 0.5 A – 10 VA)	
Memory module		
Memory capacity	–	1024 kbits (512 Kb)



Safe and visually appealing Solutions

As a specialist for safety interfaces, EFEN has extended its range of solutions for power distribution grids. The distribution and house service system provides you with complete solutions from a single source, ready for tomorrow's smart power grid.



Distribution Systems

EFEN's standardized distribution cabinets and pillars comply with DIN EN 61439-5 and can be extended to meet specific requirements. The modular system with 4 width and 3 height possibilities offers various application options up to smart-grid applications.

Product overview page 366



Distribution System, round

The visually appealing house service and distribution pillars are the perfect solution for safe outdoor connections. Thanks to their modular design, they can be configured individually. They are available as stationary and mobile versions for use at event locations.

Product overview page 408



House Service Systems

Because our small house service pillars can be mounted outside, they are accessible for service work at any time. Their compact dimensions make these enclosures a perfect solution for a protected house service connection located outdoors.

Product overview page 420



Even more solutions

Complementing the range of distribution and house service systems, EFEN offers a multitude of solutions for overhead-line and junction boxes. These products optimally complement the end-to-end, safe power supply up to the consumer.

Product overview page 437



Applications for distribution Systems

Distribution cabinets and pillars by EFEN are applicable in many ways. They are used as distribution cabinet for safe power supply or as control cabinets for pumps and lighting systems. The systems are characterized by their modular design, making them ready for tomorrow's smart power grid.

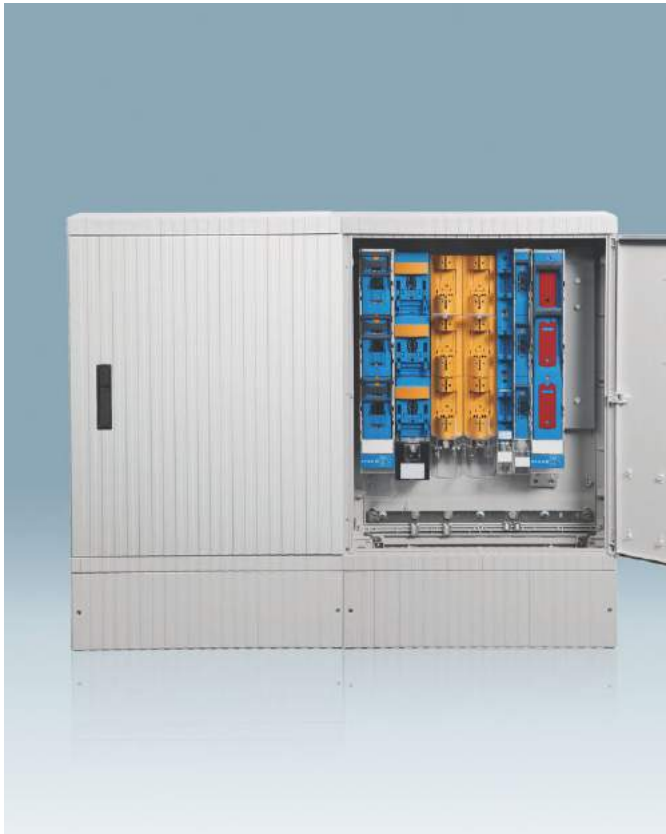
Distribution systems

System

EFEN's distribution systems comply with DIN EN 61439-5 and can modularly be extended to meet specific requirements. Clever solutions for smart-grid applications will soon be available. Special coatings such as anti-graffiti or UV protection are available upon request.

Features

Thanks to their modular design, EFEN distribution systems can be used for various applications. The distribution pillars can be equipped with pre-assembled baseplates or busbar systems as an option. EFEN distribution cabinets are available in numerous width, height and base variants, with baseplates or busbar systems as an option.



Distribution Systems

Distribution cabinets, flat design	page 368
Distribution cabinets, sizes 00, 0, 1, 2	page 369
Fairground and market square distribution cabinets, sizes 00, 0, 1, 2	page 379
Distribution pillars heights 1595 mm, 1710 mm	page 382
Distribution pillars heights 1595 mm, 1710 mm, 2010 mm	page 383
Accessories for distribution cabinets and pillars	page 386
Distribution pillar, round	page 389
Distribution pillar, round, for fairgrounds and market squares	page 392
Cross-Reference-List	page 452

Multivarious

Numerous width and heights



Of easy access Stand-alone installations doors open 180°. Side-by-side installations doors open 90°.



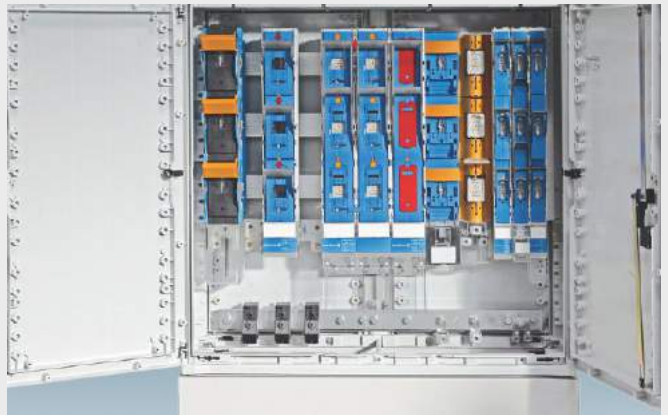
Locked safely

3-point espagnolette double-locking system.



Upgradable

Extendable through comprehensive accessories



Distribution cabinets, flat design

► Technical data, 394
 Dimensional drawing, page 395
 Accessories from page 387



93191-0000

Distribution cabinet, flat design, including assembled base

Features:

- Degree of protection: IP44
- Made of glass-fibre-reinforced polyester of type FS 833.5 in accordance with DIN 16913
- Colour: RAL 7035 light grey
- Single-locking
- Innovative locking system allowing the utilisation of the entire installation depth of 190 mm

Designation	Height	Width	Depth	PU	Product designation	Order no.
Distribution cabinet 154, flat design, height 1500 mm, one door	1500	480	220	1	KVS 154 H1500 ST L FB	93191-0000
Distribution cabinet 154, flat design, height 1500 mm, one door, with PVC mounting panel 418 x 600 x 6 mm (H x W x D)	1500	480	220	1	KVS 154 H1500 ST MP FB	93191-0201



93820-5075

Base filler

Features:

- Filler material to reduce the accumulation of condensed water in enclosures located outdoors
- Required quantity for distribution cabinet 154 Flat = 1 bag

Designation	PU	Product designation	Order no.
Filler material to reduce the accumulation of condensed water in enclosures located outdoors. The fill height should be approx. 200 - 300 mm. 1 bag = 25 litres	1	Sockelfüller 25L	93820-5075

Distribution cabinets, size 00

► Technical data, 396
Dimensional drawing, page 397
Accessories from page 386



93100-0000

Distribution cabinet, size 00, height 845 mm

Features:

- Degree of protection: IP44
- Made of glass-fibre-reinforced polyester of type FS 833.5 in accordance with DIN 16913
- Colour: RAL 7035 light grey
- Double-locking, one lock cylinder installed

Note:

Available as in-ground base only.

Designation	Height	Width	Depth	PU	Product designation	Order no.
Distribution cabinet, size 00, height 845 mm, one door, empty enclosure	845	480	315	1	KVS 00 H845 ST L	93100-0000
Distribution cabinet, size 00, height 845 mm, one door, with PVC mounting panel 750 x 358 x 6 mm (H x W x D)	845	480	315	1	KVS 00 H845 ST MP	93100-0201
Distribution cabinet, size 00, height 845 mm, one door, with busbar system (4-conductor E-Cu 30 x 6 mm), fits max. 4 installation units	845	480	315	1	KVS 00 H845 ST SS	93100-0302



93835-0010

Base for distribution cabinets, size 00

Designation	Height	Width	Depth	PU	Product designation	Order no.
In-ground base, size 00 / 900 mm (kit)	900	480	315	1	Eingrabssockel Gr. 00, 900 mm	93835-0010



93825-0269

Steel floor grid

Designation	PU	Product designation	Order no.
Steel floor grid kit for distribution cabinet, size 00	1	Bodenrost-Stahlblech Set für KVS Gr. 00	93825-0269



93820-5075

Base filler

Features:

- Filler material to reduce the accumulation of condensed water in enclosures located outdoors
- Required quantity for distribution cabinet size 00 = 2 bags

Designation	PU	Product designation	Order no.
Filler material to reduce the accumulation of condensed water in enclosures located outdoors. The fill height should be approx. 200 - 300 mm. 1 bag = 25 litres	1	Sockelfüller 25L	93820-5075

Busbar kit for distribution cabinets

Features:

- Tin-plated busbar surface
- Width 30 mm
- Clinch nut M12 fitted symmetrically in 100-mm grid
- Insulator bracket with mounting material

Designation	PU	Product designation	Order no.
Busbar kit, size 00, length 386 mm, E-Cu 3 x external-conductor busbar 30 x 6 mm (4 x M12), PEN/N bar 30 x 5 mm (5 x M12), insulator bracket and mounting material	1	Sammelschienen-Bausatz KVS Gr. 00	93820-8570

Distribution cabinets in accordance with DIN EN 61439-5, size 0

► Technical data, 396
 Dimensional drawing, page 398
 Accessories from page 386



93101-0000

Distribution cabinet in accordance with DIN EN 61439-5, size 0, height 845 mm
Features:

- Degree of protection: IP44
- Made of glass-fibre-reinforced polyester of type FS 833.5 in accordance with DIN 16913
- Colour: RAL 7035
- Double-locking, one lock cylinder installed

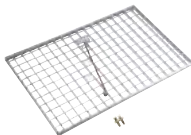
Designation	Height	Width	Depth	PU	Product designation	Order no.
Distribution cabinet, size 0, height 845 mm, one door, empty enclosure	845	585	315	1	KVS 0 H845 ST L	93101-0000
Distribution cabinet, size 0, height 845 mm, one door, with PVC mounting panel 750 x 500 x 6 mm (H x W x D)	845	585	315	1	KVS 0 H845 ST MP	93101-0201
Distribution cabinet, size 0, height 845 mm, one door, with busbar system (4-conductor E-Cu 30 x 6 mm), fits max. 5 installation units	845	585	315	1	KVS 0 H845 ST SS	93101-0302



93810-1010

Base for distribution cabinets, size 0

Designation	Height	Width	Depth	PU	Product designation	Order no.
In-ground base, size 0 / 900 mm (kit)	900	585	315	1	Eingrabssockel Gr. 0 / 900 mm	93810-1010
In-ground base, size 0 / 1125 mm, flood-proofing (kit)	1125	585	315	1	Eingrabssockel Gr. 0 / 1125 mm	93835-1020
Floor-mounted base, size 0 / 250 mm	250	585	315	1	Bodenaufbausockel Gr. 0 / 250 mm	93835-1030



93825-0270

Steel floor grid

Designation	PU	Product designation	Order no.
Steel floor grid kit for distribution cabinet, size 0	1	Bodenrost-Stahlblech Set für KVS Gr. 0	93825-0270



93820-5075

Base filler
Features:

- Filler material to reduce the accumulation of condensed water in enclosures located outdoors
- Required quantity for distribution cabinet size 00 = 2 bags

Designation	PU	Product designation	Order no.
Filler material to reduce the accumulation of condensed water in enclosures located outdoors. The fill height should be approx. 200 - 300 mm. 1 bag = 25 litres	1	Sockelfüller 25L	93820-5075

Busbar kit for distribution cabinets
Features:

- Tin-plated busbar surface
- Width 30 mm
- Clinch nut M12 fitted symmetrically in 100-mm grid
- Insulator bracket with mounting material

Designation	PU	Product designation	Order no.
Busbar kit, size 0, length 491 mm, E-Cu 3 x external-conductor busbar 30 x 6 mm (5 x M12), PEN/N bar 30 x 5 mm (6 x M12), insulator bracket and mounting material	1	Sammelschienen-Bausatz KVS Gr. 0	93820-8579

Distribution cabinets in accordance with DIN EN 61439-5, size 0

► Technical data, 396
Dimensional drawing, page 398
Accessories from page 386



93102-0000

Distribution cabinet in accordance with DIN EN 61439-5, size 0, height 1005 mm

Features:

- Degree of protection: IP44
- Made of glass-fibre-reinforced polyester of type FS 833.5 in accordance with DIN 16913
- Colour: RAL 7035
- Double-locking, one lock cylinder installed

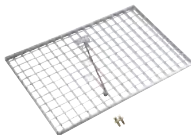
Designation	Height	Width	Depth	PU	Product designation	Order no.
Distribution cabinet, size 0, height 1005 mm, one door, empty enclosure	1005	585	315	1	KVS 0 H1005 ST L	93102-0000
Distribution cabinet, size 0, height 1005 mm, one door, with PVC mounting panel 895 x 491 x 6 mm (H x W x D)	1005	585	315	1	KVS 0 H1005 ST MP	93102-0201
Distribution cabinet, size 0, height 1005 mm, one door, with busbar system (4-conductor E-Cu 30 x 6 mm), fits max. 5 installation units	1005	585	315	1	KVS 0 H1005 ST SS	93102-0302



93810-1010

Base for distribution cabinets, size 0

Designation	Height	Width	Depth	PU	Product designation	Order no.
In-ground base, size 0 / 900 mm (kit)	900	585	315	1	Eingrabssockel Gr. 0 / 900 mm	93810-1010
In-ground base, size 0 / 1125 mm, flood-proofing (kit)	1125	585	315	1	Eingrabssockel Gr. 0 / 1125 mm	93835-1020
Floor-mounted base, size 0 / 250 mm	250	585	315	1	Bodenaufbausockel Gr. 0 / 250 mm	93835-1030
Wall bracket, size 0 with cover plate, 4 x drop-in stepped nipple grommets for cables of 50 - 185 mm ²	640	585	315	1	Wandkonsole Gr. 0	93835-1040



93825-0270

Steel floor grid

Designation	PU	Product designation	Order no.
Steel floor grid kit for distribution cabinet, size 0	1	Bodenrost-Stahlblech Set für KVS Gr. 0	93825-0270



93820-5075

Base filler

Features:

- Filler material to reduce the accumulation of condensed water in enclosures located outdoors
- Required quantity for distribution cabinet size 00 = 2 bags

Designation	PU	Product designation	Order no.
Filler material to reduce the accumulation of condensed water in enclosures located outdoors. The fill height should be approx. 200 - 300 mm. 1 bag = 25 litres	1	Sockelfüller 25L	93820-5075

Busbar kit for distribution cabinets

Features:

- Tin-plated busbar surface
- Width 30 mm
- Clinch nut M12 fitted symmetrically in 100-mm grid
- Insulator bracket with mounting material

Designation	PU	Product designation	Order no.
Busbar kit, size 0, length 491 mm, E-Cu 3 x external-conductor busbar 30 x 6 mm (5 x M12), PEN/N bar 30 x 5 mm (6 x M12), insulator bracket and mounting material	1	Sammelschienen-Bausatz KVS Gr. 0	93820-8579

Distribution cabinets in accordance with DIN EN 61439-5, size 0

► Technical data, 396
 Dimensional drawing, page 398
 Accessories from page 386



93103-0000

Distribution cabinet in accordance with DIN EN 61439-5, size 0, height 1355 mm
Features:

- Degree of protection: IP44
- Made of glass-fibre-reinforced polyester of type FS 833.5 in accordance with DIN 16913
- Colour: RAL 7035 light grey
- Double-locking, one lock cylinder installed

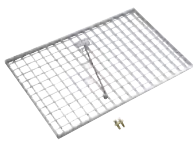
Designation	Height	Width	Depth	PU	Product designation	Order no.
Distribution cabinet, size 0, height 1355 mm, one door, empty enclosure	1355	585	315	1	KVS 0 H1355 ST L	93103-0000
Distribution cabinet, size 0, height 1355 mm, one door, with PVC mounting panel 1245 x 491 x 6 mm (H x W x D)	1355	585	315	1	KVS 0 H1355 ST MP	93103-0201



93810-1010

Base for distribution cabinets, size 0

Designation	Height	Width	Depth	PU	Product designation	Order no.
In-ground base, size 0 / 900 mm (kit)	900	585	315	1	Eingrabsockel Gr. 0 / 900 mm	93810-1010
In-ground base, size 0 / 1125 mm, flood-proofing (kit)	1125	585	315	1	Eingrabsockel Gr. 0 / 1125 mm	93835-1020
Floor-mounted base, size 0 / 250 mm	250	585	315	1	Bodenaufbausockel Gr. 0 / 250 mm	93835-1030



93825-0270

Steel floor grid

Designation	PU	Product designation	Order no.
Steel floor grid kit for distribution cabinet, size 0	1	Bodenrost-Stahlblech Set für KVS Gr. 0	93825-0270



93820-5075

Base filler
Features:

- Filler material to reduce the accumulation of condensed water in enclosures located outdoors
- Required quantity for distribution cabinet, size 0 = 2 bags

Designation	PU	Product designation	Order no.
Filler material to reduce the accumulation of condensed water in enclosures located outdoors. The fill height should be approx. 200 - 300 mm. 1 bag = 25 litres	1	Sockelfüller 25L	93820-5075

Busbar kit for distribution cabinets
Features:

- Tin-plated busbar surface
- Width 30 mm
- Clinch nut M12 fitted symmetrically in 100-mm grid
- Insulator bracket with mounting material

Designation	PU	Product designation	Order no.
Busbar kit, size 0, length 491 mm, E-Cu 3 x external-conductor busbar 30 x 6 mm (5 x M12), PEN/N bar 30 x 5 mm (6 x M12), insulator bracket and mounting material	1	Sammelschienen-Bausatz KVS Gr. 0	93820-8579

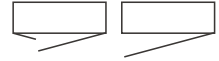
Distribution cabinets in accordance with DIN EN 61439-5, size 1

► Technical data, 396
Dimensional drawing, page 400
Accessories from page 386



93110-0000

Distribution cabinet in accordance with DIN EN 61439-5, size 1, height 845 mm



Features:

- Degree of protection: IP44
- Made of glass-fibre-reinforced polyester of type FS 833.5 in accordance with DIN 16913
- Colour: RAL 7035 light grey
- Double-locking, one lock cylinder installed

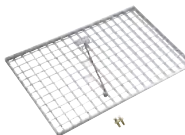
Designation	Height	Width	Depth	PU	Product designation	Order no.
Distribution cabinet, size 1, height 845 mm, one door, empty enclosure	845	780	315	1	KVS 1 H845 ST L	93110-0000
Distribution cabinet, size 1, height 845 mm, one door, with mounting panel PVC 750 x 658 x 6 mm (H x W x D)	845	780	315	1	KVS 1 H845 ST MP	93110-0201
Distribution cabinet, size 1, height 845 mm, one door, with busbar system (4-conductor E-Cu 30 x 6 mm), fits max. 7 installation units	845	780	315	1	KVS 1 H845 ST SS	93110-0302
Distribution cabinet, size 1, height 845 mm, two doors, with mounting panel PVC 750 x 658 x 6 mm (H x W x D), asymmetric doors	845	780	315	1	KVS 1 H845 ST MP AT	93110-0401



93835-0110

Base for distribution cabinets, size 1

Designation	Height	Width	Depth	PU	Product designation	Order no.
In-ground base, size 1 / 900 mm (kit)	900	780	315	1	Eingrabssockel Gr. 1 / 900 mm	93835-0110
In-ground base, size 1 / 1125 mm, flood-proofing (kit)	1125	780	315	1	Eingrabssockel Gr. 1 / 1125 mm	93835-0120
Floor-mounted base, size 1 / 250 mm	250	780	315	1	Bodenaufbausockel Gr. 1 / 250 mm	93835-0130



93825-0271

Steel floor grid

Designation	PU	Product designation	Order no.
Steel floor grid kit for distribution cabinet, size 1	1	Bodenrost-Stahlblech Set für KVS Gr. 1	93825-0271



93820-5075

Base filler

Features:

- Filler material to reduce the accumulation of condensed water in enclosures located outdoors
- Required quantity for distribution cabinet, size 1 = 3 bags

Designation	PU	Product designation	Order no.
Filler material to reduce the accumulation of condensed water in enclosures located outdoors. The fill height should be approx. 200 - 300 mm. 1 bag = 25 litres	1	Sockelfüller 25L	93820-5075

Busbar kit for distribution cabinets

Features:

- Tin-plated busbar surface
- Width 30 mm
- Clinch nut M12 fitted symmetrically in 100-mm grid
- Insulator bracket with mounting material

Designation	PU	Product designation	Order no.
Busbar kit, size 1, length 686 mm, E-Cu 3 x external-conductor busbar 30 x 6 mm (7 x M12), PEN/N bar 30 x 5 mm (8 x M12), insulator bracket and mounting material	1	Sammelschienen-Bausatz KVS Gr. 01	93820-8580

Distribution cabinets in accordance with DIN EN 61439-5, size 1

► Technical data, 396
 Dimensional drawing, page 400
 Accessories from page 386



93112-0000

Distribution cabinet in accordance with DIN EN 61439-5, size 1, height 1005 mm
Features:

- Degree of protection: IP44
- Made of glass-fibre-reinforced polyester of type FS 833.5 in accordance with DIN 16913
- Colour: RAL 7035 light grey
- Double-locking, one lock cylinder installed

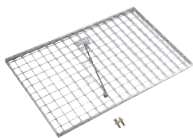
Designation	Height	Width	Depth	PU	Product designation	Order no.
Distribution cabinet, size 1, height 1005 mm, one door, empty enclosure	1005	780	315	1	KVS 1 H1005 ST L	93112-0000
Distribution cabinet, size 1, height 1005 mm, one door, with mounting panel PVC 895 x 686 x 6 mm (H x W x D)	1005	780	315	1	KVS 1 H1005 ST MP	93112-0201
Distribution cabinet, size 1, height 1005 mm, one door, with busbar system (4-conductor E-Cu 30 x 6 mm), fits max. 7 installation units	1005	780	315	1	KVS 1 H1005 ST SS	93111-0302
Distribution cabinet, size 1, height 1005 mm, two doors, with mounting panel PVC 895 x 686 x 6 mm (H x W x D), asymmetric doors	1005	780	315	1	KVS 1 H1005 ST MP AT	93112-0401



93835-0110

Base for distribution cabinets, size 1

Designation	Height	Width	Depth	PU	Product designation	Order no.
In-ground base, size 1 / 900 mm (kit)	900	780	315	1	Eingrabssockel Gr. 1 / 900 mm	93835-0110
In-ground base, size 1 / 1125 mm, flood-proofing (kit)	1125	780	315	1	Eingrabssockel Gr. 1 / 1125 mm	93835-0120
Floor-mounted base, size 1 / 250 mm	250	780	315	1	Bodenaufbausockel Gr. 1 / 250 mm	93835-0130
Wall bracket, size 1 with cover plate, 6 x drop-in stepped nipple grommets for cables of 50 - 185 mm ²	640	780	315	1	Wandkonsole Gr. 1	93835-0140



93825-0271

Steel floor grid

Designation	PU	Product designation	Order no.
Steel floor grid kit for distribution cabinet, size 1	1	Bodenrost-Stahlblech Set für KVS Gr. 1	93825-0271



93820-5075

Base filler
Features:

- Filler material to reduce the accumulation of condensed water in enclosures located outdoors
- Required quantity for distribution cabinet, size 1 = 3 bags

Designation	PU	Product designation	Order no.
Filler material to reduce the accumulation of condensed water in enclosures located outdoors. The fill height should be approx. 200 - 300 mm. 1 bag = 25 litres	1	Sockelfüller 25L	93820-5075

Busbar kit for distribution cabinets
Features:

- Tin-plated busbar surface
- Width 30 mm
- Clinch nut M12 fitted symmetrically in 100-mm grid
- Insulator bracket with mounting material

Designation	PU	Product designation	Order no.
Busbar kit, size 1, length 686 mm, E-Cu 3 x external-conductor busbar 30 x 6 mm (7 x M12), PEN/N bar 30 x 5 mm (8 x M12), insulator bracket and mounting material	1	Sammelschienen-Bausatz KVS Gr. 01	93820-8580

Distribution cabinets in accordance with DIN EN 61439-5, size 1

► Technical data, 396
Dimensional drawing, page 400
Accessories from page 386



93113-0000

Distribution cabinet in accordance with DIN EN 61439-5, size 1, height 1355 mm

Features:

- Degree of protection: IP44
- Made of glass-fibre-reinforced polyester of type FS 833.5 in accordance with DIN 16913
- Colour: RAL 7035 light grey
- Double-locking, one lock cylinder installed

Designation	Height	Width	Depth	PU	Product designation	Order no.
Distribution cabinet, size 1, height 1355 mm, one door, empty enclosure	1355	780	315	1	KVS 1 H1355 ST L	93113-0000
Distribution cabinet, size 1, height 1355 mm, one door, with mounting panel PVC 1245 x 686 x 6 mm (H x W x D)	1355	780	315	1	KVS 1 H1355 ST MP	93113-0201



93835-0110

Base for distribution cabinets, size 1

Designation	Height	Width	Depth	PU	Product designation	Order no.
In-ground base, size 1 / 900 mm (kit)	900	780	315	1	Eingrabssockel Gr. 1 / 900 mm	93835-0110
In-ground base, size 1 / 1125 mm, flood-proofing (kit)	1125	780	315	1	Eingrabssockel Gr. 1 / 1125 mm	93835-0120
Floor-mounted base, size 1 / 250 mm	250	780	315	1	Bodenaufbausockel Gr. 1 / 250 mm	93835-0130



93825-0271

Steel floor grid

Designation	PU	Product designation	Order no.
Steel floor grid kit for distribution cabinet, size 1	1	Bodenrost-Stahlblech Set für KVS Gr. 1	93825-0271



93820-5075

Base filler

Features:

- Filler material to reduce the accumulation of condensed water in enclosures located outdoors
- Required quantity for distribution cabinet, size 1 = 3 bags

Designation	PU	Product designation	Order no.
Filler material to reduce the accumulation of condensed water in enclosures located outdoors. The fill height should be approx. 200 - 300 mm. 1 bag = 25 litres	1	Sockelfüller 25L	93820-5075

Busbar kit for distribution cabinets

Features:

- Tin-plated busbar surface
- Width 30 mm
- Clinch nut M12 fitted symmetrically in 100-mm grid
- Insulator bracket with mounting material

Designation	PU	Product designation	Order no.
Busbar kit, size 1, length 686 mm, E-Cu 3 x external-conductor busbar 30 x 6 mm (7 x M12), PEN/N bar 30 x 5 mm (8 x M12), insulator bracket and mounting material	1	Sammelschienen-Bausatz KVS Gr. 01	93820-8580

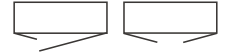
Distribution cabinets in accordance with DIN EN 61439-5, size 2

► Technical data, 396
Dimensional drawing, page 402
Accessories from page 386



93120-0000

Distribution cabinet in accordance with DIN EN 61439-5, size 2, height 845 mm



Features:

- Degree of protection: IP44
- Made of glass-fibre-reinforced polyester of type FS 833.5 in accordance with DIN 16913
- Colour: RAL 7035 light grey
- Single-locking, one lock cylinder installed

Designation	Height	Width	Depth	PU	Product designation	Order no.
Distribution cabinet, size 2, height 845 mm, one door, empty enclosure	845	1110	315	1	KVS 2 H845 ST L	93120-0000
Distribution cabinet, size 2, height 845 mm, one door, with mounting panel PVC 750 x 988 x 6 mm (H x W x D)	845	1110	315	1	KVS 2 H845 ST MP	93120-0201
Distribution cabinet, size 2, height 845 mm, one door, with busbar system (4-conductor E-Cu 30 x 8 mm), fits max. 10 installation units	845	1110	315	1	KVS 2 H845 ST SS	93120-0302
Distribution cabinet, size 2, height 845 mm, two doors, with mounting panel PVC 750 x 988 x 6 mm (H x W x D), asymmetric doors	845	1110	315	1	KVS 2 H845 ST MP asy. Türen	93120-0401



93835-0210

Base for distribution cabinets, size 2

Designation	Height	Width	Depth	PU	Product designation	Order no.
In-ground base, size 2 / 900 mm (kit)	900	1110	315	1	Eingrabsockel Gr. 2 / 900 mm	93835-0210
In-ground base, size 2 / 1125 mm, flood-proofing (kit)	1125	1110	315	1	Eingrabsockel Gr. 2 / 1125 mm	93835-0220
Floor-mounted base, size 2 / 250 mm	250	1110	315	1	Bodenaufbausockel Gr. 2 / 250 mm	93835-0230



93825-0272

Steel floor grid

Designation	PU	Product designation	Order no.
Steel floor grid kit for distribution cabinet, size 2	1	Bodenrost-Stahlblech Set für KVS Gr. 2	93825-0272



93820-5075

Base filler

Features:

- Filler material to reduce the accumulation of condensed water in enclosures located outdoors
- Required quantity for distribution cabinet, size 2 = 3 bags

Designation	PU	Product designation	Order no.
Filler material to reduce the accumulation of condensed water in enclosures located outdoors. The fill height should be approx. 200 - 300 mm. 1 bag = 25 litres	1	Sockelfüller 25L	93820-5075

Busbar kit for distribution cabinets

Features:

- Tin-plated busbar surface
- Width 30 mm
- Clinch nut M12 fitted symmetrically in 100-mm grid
- Insulator bracket with mounting material

Designation	PU	Product designation	Order no.
Busbar kit, size 2, length 1016 mm, E-Cu 3 x external-conductor busbar 30 x 8 mm (10 x M12), PEN/N bar 30 x 6 mm (11 x M12), insulator bracket and mounting material	1	Sammelschienen-Bausatz KVS Gr. 02	93820-8581

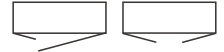
Distribution cabinets in accordance with DIN EN 61439-5, size 2

► Technical data, 396
Dimensional drawing, page 402
Accessories from page 386



93122-0000

Distribution cabinet in accordance with DIN EN 61439-5, size 2, height 1005 mm



Features:

- Degree of protection: IP44
- Made of glass-fibre-reinforced polyester of type FS 833.5 in accordance with DIN 16913
- Colour: RAL 7035 light grey
- Double-locking, one lock cylinder installed

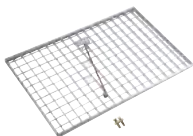
Designation	Height	Width	Depth	PU	Product designation	Order no.
Distribution cabinet, size 2, height 1005 mm, two doors, empty enclosure	1005	1110	315	1	KVS 2 H1005 ST L	93122-0000
Distribution cabinet, size 2, height 1005 mm, two doors, with PVC mounting panel 895 x 1016 x 6 mm (H x W x D)	1005	1110	315	1	KVS 2 H1005 ST MP	93122-0201
Distribution cabinet, size 2, height 1005 mm, two doors, with busbar system (4-conductor E-Cu 30 x 8 mm), fits max. 10 installation units	1005	1110	315	1	KVS 2 H1005 ST SS	93121-0302
Distribution cabinet, size 2, height 1005 mm, two doors, with PVC mounting panel 895 x 1016 x 6 mm (H x W x D), asymmetric doors	1005	1110	315	1	KVS 2 H1005 ST MP asy. Türen	93122-0401



93835-0210

Base for distribution cabinets, size 2

Designation	Height	Width	Depth	PU	Product designation	Order no.
In-ground base, size 2 / 900 mm (kit)	900	1110	315	1	Eingrabsockel Gr. 2 / 900 mm	93835-0210
In-ground base, size 2 / 1125 mm, flood-proofing (kit)	1125	1110	315	1	Eingrabsockel Gr. 2 / 1125 mm	93835-0220
Floor-mounted base, size 2 / 250 mm	250	1110	315	1	Bodenaufbausockel Gr. 2 / 250 mm	93835-0230
Wall bracket, size 2 with cover plate, 9 x drop-in stepped nipple grommets for cables of 50 - 185 mm ²	640	1110	315	1	Wandkonsole Gr. 2	93835-0240



93825-0272

Steel floor grid

Designation	PU	Product designation	Order no.
Steel floor grid kit for distribution cabinet, size 2	1	Bodenrost-Stahlblech Set für KVS Gr. 2	93825-0272



93820-5075

Base filler

Features:

- Filler material to reduce the accumulation of condensed water in enclosures located outdoors
- Required quantity for distribution cabinet, size 2 = 3 bags

Designation	PU	Product designation	Order no.
Filler material to reduce the accumulation of condensed water in enclosures located outdoors. The fill height should be approx. 200 - 300 mm. 1 bag = 25 litres	1	Sockelfüller 25L	93820-5075

Busbar kit for distribution cabinets

Features:

- Tin-plated busbar surface
- Width 30 mm
- Clinch nut M12 fitted symmetrically in 100-mm grid
- Insulator bracket with mounting material

Designation	PU	Product designation	Order no.
Busbar kit, size 2, length 1016 mm, E-Cu 3 x external-conductor busbar 30 x 8 mm (10 x M12), PEN/N bar 30 x 6 mm (11 x M12), insulator bracket and mounting material	1	Sammelschienen-Bausatz KVS Gr. 02	93820-8581

Distribution cabinets in accordance with DIN EN 61439-5, size 2

► Technical data, 396
 Dimensional drawing, page 403
 Accessories from page 386



93123-0000

Distribution cabinet in accordance with DIN EN 61439-5, size 2, height 1355 mm
Features:

- Degree of protection: IP44
- Made of glass-fibre-reinforced polyester of type FS 833.5 in accordance with DIN 16913
- Colour: RAL 7035 light grey
- Double-locking, one lock cylinder installed

Designation	Height	Width	Depth	PU	Product designation	Order no.
Distribution cabinet, size 2, height 1355 mm, two doors, empty enclosure	1355	1110	315	1	KVS 2 H1355 ST L	93123-0000
Distribution cabinet, size 2, height 1355 mm, two doors, with PVC mounting panel 1245 x 988 x 6 mm (H x W x D)	1355	1110	315	1	KVS 2 H1355 ST MP	93123-0201
Distribution cabinet, size 2, height 1355 mm, two doors, with PVC mounting panel 1245 x 988 x 6 mm (H x W x D), asymmetric doors	1355	1110	315	1	KVS 2 H1355 ST MP asy. Türen	93123-0401



93835-0210

Base for distribution cabinets, size 2

Designation	Height	Width	Depth	PU	Product designation	Order no.
In-ground base, size 2 / 900 mm (kit)	900	1110	315	1	Eingrabsockel Gr. 2 / 900 mm	93835-0210
In-ground base, size 2 / 1125 mm, flood-proofing (kit)	1125	1110	315	1	Eingrabsockel Gr. 2 / 1125 mm	93835-0220
Floor-mounted base, size 2 / 250 mm	250	1110	315	1	Bodenaufbausockel Gr. 2 / 250 mm	93835-0230



93825-0272

Steel floor grid

Designation	PU	Product designation	Order no.
Steel floor grid kit for distribution cabinet, size 2	1	Bodenrost-Stahlblech Set für KVS Gr. 2	93825-0272



93820-5075

Base filler
Features:

- Filler material to reduce the accumulation of condensed water in enclosures located outdoors
- Required quantity for distribution cabinet, size 2 = 3 bags

Designation	PU	Product designation	Order no.
Filler material to reduce the accumulation of condensed water in enclosures located outdoors. The fill height should be approx. 200 - 300 mm. 1 bag = 25 litres	1	Sockelfüller 25L	93820-5075

Busbar kit for distribution cabinets
Features:

- Tin-plated busbar surface
- Width 30 mm
- Clinch nut M12 fitted symmetrically in 100-mm grid
- Insulator bracket with mounting material

Designation	PU	Product designation	Order no.
Busbar kit, size 2, length 1016 mm, E-Cu 3 x external-conductor busbar 30 x 8 mm (10 x M12), PEN/N bar 30 x 6 mm (11 x M12), insulator bracket and mounting material	1	Sammelschienen-Bausatz KVS Gr. 02	93820-8581

Fairground and market square distribution cabinets, size 0, in accordance with DIN EN 61439-5, E DIN 61439-7

► Technical data, 396
Dimensional drawing, page 400
Accessories from page 386



93102-0332

Fairground distribution cabinets in accordance with DIN EN 61439-5, size 0, height 1005 mm

Features:

- Degree of protection: IP44
- Made of glass-fibre-reinforced polyester of type FS 833.5 in accordance with DIN 16913
- Colour: RAL 7035 light grey
- Double-locking, one lock cylinder installed
- Performance of services on request

Designation	Height	Width	Depth	PU	Product designation	Order no.
Distribution cabinet, size 0, fairground, height 1005 mm, one door, with busbar system (5-conductor E-Cu 30 x 6 mm), fits max. 5 installation units	1005	585	315	1	KVS 00 H 1005 ST SS FP	93102-0332
Distribution cabinet, size 0, fairground, height 1430 mm, one door, with busbar system (5-conductor E-Cu 30 x 6 mm), fits max. 5 installation units, 4 cable inlets, mobile variant with pedestal	1430	585	315	1	KVS 0 H1005 ST SS MO	93102-0342



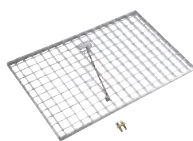
93835-1050

Base for fairground distribution cabinets, size 0

Designation	Height	Width	Depth	PU	Product designation	Order no.
In-ground base, fairground, size 0, with 4 cable inlets	900	585	315	1	Eingrabsockel Gr. 0, FP - 4 Kabeleinf.	93835-1050
Floor-mounted base, fairground, size 0, with 4 cable inlets	250	585	315	1	Bodenaufbausockel Gr. 0 FP, 4 Kabelf.	93835-1055

Cover for cable outlet for bases for fairground distribution cabinets, size 0

Designation	PU	Product designation	Order no.
Cover for cable outlet for fairground distribution cabinet, size 0	1	KVS 0 Abdeckung FP	93820-7900



93825-0270

Steel floor grid

Designation	PU	Product designation	Order no.
Steel floor grid kit for distribution cabinet, size 0	1	Bodenrost-Stahlblech Set für KVS Gr. 0	93825-0270



93820-5075

Base filler

Features:

- Filler material to reduce the accumulation of condensed water in enclosures located outdoors
- Required quantity for distribution cabinet, size 0 = 2 bags

Designation	PU	Product designation	Order no.
Filler material to reduce the accumulation of condensed water in enclosures located outdoors. The fill height should be approx. 200 - 300 mm. 1 bag = 25 litres	1	Sockelfüller 25L	93820-5075

Fairground and market square distribution cabinets, size 1, in accordance with DIN EN 61439-5, E DIN EN 61439-7

► Technical data, 396
 Dimensional drawing, page 400
 Accessories from page 386



93112-0332

Fairground distribution cabinet in accordance with DIN EN 61439-5, size 1, height 1005 mm

Features:

- Degree of protection: IP44
- Made of glass-fibre-reinforced polyester of type FS 833.5 in accordance with DIN 16913
- Colour: RAL 7035 light grey
- Double-locking, one lock cylinder installed
- Performance of services on request

Designation	Height	Width	Depth	PU	Product designation	Order no.
Distribution cabinet, size 1, fairground, height 1005 mm, one door, with busbar system (5-conductor E-Cu 30 x 6 mm), fits max. 7 installation units	1005	780	315	1	KVS 1 H1005 ST SS	93112-0332
Distribution cabinet, size 1, fairground, height 1430 mm, one door, with busbar system (5-conductor E-Cu 30 x 6 mm), fits max. 7 installation units, 6 cable inlets, mobile variant with pedestal	1430	780	315	1	KVS 1 H1005 ST SS FP MO	93112-0342



93835-0150

Base for fairground distribution cabinets, size 1

Designation	Height	Width	Depth	PU	Product designation	Order no.
In-ground base, fairground, size 1, with 6 cable inlets	900	780	315	1	Eingrabsockel Gr. 1, FP - 6 Kabeleinf.	93835-0150
Floor-mounted base, fairground, size 1, with 6 cable inlets	250	780	315	1	Bodenaufbausockel Gr. 1 FP, 6 Kabelf.	93835-0155

Cover for cable outlet for bases for fairground distribution cabinets, size 1

Designation	PU	Product designation	Order no.
Cover for cable outlet, size 1, fairground	1	KVS-Abdeck. Kabelausl. Gr. 1 FP	93820-7901



93825-0271

Steel floor grid

Designation	PU	Product designation	Order no.
Steel floor grid kit for distribution cabinet, size 1	1	Bodenrost-Stahlblech Set für KVS Gr. 1	93825-0271



93820-5075

Base filler

Features:

- Filler material to reduce the accumulation of condensed water in enclosures located outdoors
- Required quantity for distribution cabinet, size 1 = 3 bags

Designation	PU	Product designation	Order no.
Filler material to reduce the accumulation of condensed water in enclosures located outdoors. The fill height should be approx. 200 - 300 mm. 1 bag = 25 litres	1	Sockelfüller 25L	93820-5075

Fairground and market square distribution cabinets, size 2, in accordance with DIN EN 61439-5, E DIN EN 61439-7

► Technical data, 396
Dimensional drawing, page 402
Accessories from page 386



93122-0332

Fairground distribution cabinet in accordance with DIN EN 61439-5, size 2, height 1005 mm

Features:

- Degree of protection: IP44
- Made of glass-fibre-reinforced polyester of type FS 833.5 in accordance with DIN 16913
- Colour: RAL 7035 light grey
- Double-locking, one lock cylinder installed
- Performance of services on request

Designation	Height	Width	Depth	PU	Product designation	Order no.
Distribution cabinet, size 2, fairground, height 1005 mm, two doors, with busbar system (5-conductor E-Cu 30 x 8 mm), fits max. 10 installation units	1005	1110	315	1	KVS 2 H1005 ST SS FP	93122-0332
Distribution cabinet, size 2, fairground, height 1430 mm, two doors, with busbar system (5-conductor E-Cu 30 x 8 mm), fits max. 10 installation units, 6 cable inlets, mobile variant with pedestal	1430	1110	315	1	KVS 2 H1005 ST SS FP MO	93122-0342



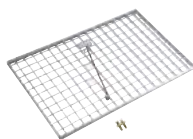
93835-0250

Base for fairground distribution cabinets, size 2

Designation	Height	Width	Depth	PU	Product designation	Order no.
In-ground base, fairground, size 2, with 9 cable inlets	900	1110	315	1	Eingrabsockel Gr. 2, FP - 9 Kabeleinf.	93835-0250
Floor-mounted base, fairground, size 2, with 9 cable inlets	250	1110	315	1	Bodenaufbausockel Gr. 9 FP, 9 Kabelf.	93835-0255

Cover for cable outlet for bases for fairground distribution cabinets, size 2

Designation	PU	Product designation	Order no.
Cover for cable outlet, size 2, fairground	1	KVS-Abdeck. Kabelausl. Gr. 2 FP	93820-7902



93825-0272

Steel floor grid

Designation	PU	Product designation	Order no.
Steel floor grid kit for distribution cabinet, size 2	1	Bodenrost-Stahlblech Set für KVS Gr. 2	93825-0272



93820-5075

Base filler

Features:

- Filler material to reduce the accumulation of condensed water in enclosures located outdoors
- Required quantity for distribution cabinet, size 2 = 3 bags

Designation	PU	Product designation	Order no.
Filler material to reduce the accumulation of condensed water in enclosures located outdoors. The fill height should be approx. 200 - 300 mm. 1 bag = 25 litres	1	Sockelfüller 25L	93820-5075

Distribution pillars

► Technical data, 404, 406
 Dimensional drawing, page 405, 407
 Accessories from page 386



93260-0010

Distribution pillar, height 1420 mm, degree of protection IP44

Features:

- Made of glass-fibre-reinforced polyester of type FS 833.5 in accordance with DIN 16913
- Colour: RAL 7035 light grey
- Plug-in door
- Single-locking

Designation	Height	Width	Depth	PU	Product designation	Order no.
Distribution pillar 142, height 1420 mm, flat design	1420	320	225	1	VS 142 ST L FB	93260-0010
Distribution pillar 142, height 1420 mm, flat design, with mounting panel PVC 600 x 276 x 6 mm (H x W x D)	1420	320	225	1	VS 142 ST MP FB	93260-0211
Distribution pillar 142, height 1420 mm, flat design, with busbar system (4-conductor E-Cu 30 x 5 mm), max. 2 installation units	1420	320	225	1	VS 142 ST SS FB	93260-0312



93262-0010

Distribution pillar, height 1560 mm, degree of protection IP44

Features:

- Made of glass-fibre-reinforced polyester of type FS 833.5 in accordance with DIN 16913
- Colour: RAL 7035 light grey
- Empty pillars and variant with mounting panel = double locking, one lock cylinder installed
- Distribution pillar with busbar = single-locking

Designation	Height	Width	Depth	PU	Product designation	Order no.
Distribution pillar 152, height 1560 mm	1560	361	277	1	VS 152 ST L	93262-0010
Distribution pillar 152, height 1560 mm, flat design, with mounting panel PVC 700 x 278 x 6 mm (H x W x D)	1560	361	277	1	VS 152 ST MP FB	93262-0211
Distribution pillar 152, height 1560 mm, flat design, with busbar system (4-conductor E-Cu 30 x 6 mm), max. 2 installation units	1560	361	277	1	VS 152 ST SS FB	93262-0312



93270-0010

Distribution pillar, height 1560 mm, degree of protection IP44

Features:

- Made of glass-fibre-reinforced polyester of type FS 833.5 in accordance with DIN 16913
- Colour: RAL 7035 light grey
- Empty pillars and variant with mounting panel = double locking, one lock cylinder installed
- Distribution pillar with busbar = single-locking

Designation	Height	Width	Depth	PU	Product designation	Order no.
Distribution pillar 155, height 1560 mm	1560	583	277	1	VS 155 ST L	93270-0010
Distribution pillar 155, height 1560 mm, with PVC mounting panel 700 x 500 x 6 mm (H x W x D)	1560	583	277	1	VS 155 ST MP	93270-0211
Distribution pillar 155, height 1560 mm, with busbar system (4-conductor E-Cu 30 x 6 mm), fits max. 4 installation units	1560	583	277	1	VS 155 ST SS	93270-0312

Distribution pillars

► Technical data, 404, 406
Dimensional drawing, page 405, 407
Accessories from page 386



93280-0010

Distribution pillar, height 1560 mm, degree of protection IP44

Features:

- Made of glass-fibre-reinforced polyester of type FS 833.5 in accordance with DIN 16913
- Colour: RAL 7035 light grey
- Empty pillars and variant with mounting panel = double locking, one lock cylinder installed
- Distribution pillar with busbar = single-locking

Designation	Height	Width	Depth	PU	Product designation	Order no.
Distribution pillar 157, height 1560 mm	1560	839	277	1	VS 157 ST L	93280-0010
Distribution pillar 157, height 1560 mm, with PVC mounting panel 755.5 x 756 x 6 mm (H x W x D)	1560	839	277	1	VS 157 ST MP	93280-0211
Distribution pillar 157, height 1560 mm, with busbar system (4-conductor E-Cu 30 x 6 mm), fits max. 7 installation units	1560	839	277	1	VS 157 ST SS	93280-0312



93261-0010

Distribution pillar, height 1595 mm, degree of protection IP44

Features:

- Made of glass-fibre-reinforced polyester of type FS 833.5 in accordance with DIN 16913
- Colour: RAL 7035 light grey
- Plug-in door
- Single-locking

Designation	Height	Width	Depth	PU	Product designation	Order no.
Distribution pillar 162, height 1595 mm, flat design	1595	320	225	1	VS 162 ST L FB	93261-0010
Distribution pillar 162, height 1595 mm, flat design, with mounting panel PVC 800 x 276 x 6 mm (H x W x D)	1595	320	225	1	VS 162 ST MP FB	93261-0211
Distribution pillar 162, height 1595 mm, flat design, with busbar system (4-conductor E-Cu 30 x 5 mm), max. 2 installation units	1595	320	225	1	VS 162 ST SS FB	93261-0312



93263-0010

Distribution pillar, height 1710 mm, degree of protection IP44

Features:

- Made of glass-fibre-reinforced polyester of type FS 833.5 in accordance with DIN 16913
- Colour: RAL 7035 light grey
- Empty pillars and variant with mounting panel = double locking, one lock cylinder installed
- Distribution pillar with busbar = single-locking

Designation	Height	Width	Depth	PU	Product designation	Order no.
Distribution pillar 172, height 1710 mm	1710	361	277	1	VS 172 ST L	93263-0010
Distribution pillar 172, height 1710 mm, with PVC mounting panel 850 x 278 x 6 mm (H x W x D)	1710	361	277	1	VS 172 ST MP	93263-0211
Distribution pillar 172, height 1710 mm, with busbar system (4-conductor E-Cu 30 x 6 mm), fits max. 2 installation units	1710	361	277	1	VS 172 ST SS	93263-0312

Distribution pillars

► Technical data, 406
Dimensional drawing, page 407
Accessories from page 386



93271-0010

Distribution pillar, height 1710 mm, degree of protection IP44

Features:

- Made of glass-fibre-reinforced polyester of type FS 833.5 in accordance with DIN 16913
- Colour: RAL 7035 light grey
- Empty pillars and variant with mounting panel = double locking, one lock cylinder installed
- Distribution pillar with busbar = single-locking

Designation	Height	Width	Depth	PU	Product designation	Order no.
Distribution pillar 175, height 1710 mm	1710	583	277	1	VS 175 ST L	93271-0010
Distribution pillar 175, height 1710 mm, with PVC mounting panel 850 x 500 x 6 mm (H x W x D)	1710	583	277	1	VS 175 ST MP	93271-0211
Distribution pillar 175, height 1710 mm, with busbar system (4-conductor E-Cu 30 x 6 mm), fits max. 4 installation units	1710	583	277	1	VS 175 ST SS	93271-0312



93281-0010

Distribution pillar, height 1710 mm, degree of protection IP44

Features:

- Made of glass-fibre-reinforced polyester of type FS 833.5 in accordance with DIN 16913
- Colour: RAL 7035 light grey
- Empty pillars and variant with mounting panel = double locking, one lock cylinder installed
- Distribution pillar with busbar = single-locking

Designation	Height	Width	Depth	PU	Product designation	Order no.
Distribution pillar 177, height 1710 mm	1710	839	277	1	VS 177 ST L	93281-0010
Distribution pillar 177, height 1710 mm, with PVC mounting panel 850 x 756 x 6 mm (H x W x D)	1710	839	277	1	VS 177 ST MP	93281-0211
Distribution pillar 177, height 1710 mm, with busbar system (4-conductor E-Cu 30 x 6 mm), fits max. 7 installation units	1710	839	277	1	VS 177 ST SS	93281-0312



93264-0010

Distribution pillar, height 2010 mm, degree of protection IP44

Features:

- Made of glass-fibre-reinforced polyester of type FS 833.5 in accordance with DIN 16913
- Colour: RAL 7035 light grey
- Empty pillars and variant with mounting panel = double locking, one lock cylinder installed
- Distribution pillar with busbar = single-locking

Designation	Height	Width	Depth	PU	Product designation	Order no.
Distribution pillar 202, height 2010 mm	2010	361	277	1	VS 202 ST L	93264-0010
Distribution pillar 202, height 2010 mm, with PVC mounting panel 1000 x 278 x 6 mm (H x W x D)	2010	361	277	1	VS 202 ST MP	93264-0211
Distribution pillar 202, height 2010 mm, with busbar system (4-conductor E-Cu 30 x 6 mm), fits max. 2 installation units	2010	361	277	1	VS 202 ST SS	93264-0312

Distribution pillars

► Technical data, 406
Dimensional drawing, page 407
Accessories from page 386



93272-0010

Distribution pillar, height 2010 mm, degree of protection IP44

Features:

- Made of glass-fibre-reinforced polyester of type FS 833.5 in accordance with DIN 16913
- Colour: RAL 7035 light grey
- Empty pillars and variant with mounting panel = double locking, one lock cylinder installed
- Distribution pillar with busbar = single-locking

Designation	Height	Width	Depth	PU	Product designation	Order no.
Distribution pillar 205, height 2010 mm	2010	583	277	1	VS 205 ST L	93272-0010
Distribution pillar 205, height 2010 mm, with PVC mounting panel 1000 x 500 x 6 mm (H x W x D)	2010	583	277	1	VS 205 ST MP	93272-0211
Distribution pillar 205, height 2010 mm, with busbar system (4-conductor E-Cu 30 x 6 mm), fits max. 4 installation units	2010	583	277	1	VS 205 ST SS	93272-0312



93282-0010

Distribution pillar, height 2010 mm, degree of protection IP44

Features:

- Made of glass-fibre-reinforced polyester of type FS 833.5 in accordance with DIN 16913
- Colour: RAL 7035 light grey
- Empty pillars and variant with mounting panel = double locking, one lock cylinder installed
- Distribution pillar with busbar = single-locking

Designation	Height	Width	Depth	PU	Product designation	Order no.
Distribution pillar 207, height 2010 mm	2010	839	277	1	VS 207 ST L	93282-0010
Distribution pillar 207, height 2010 mm, with PVC mounting panel 1000 x 756 x 6 mm (H x W x D)	2010	839	277	1	VS 207 ST MP	93282-0211
Distribution pillar 207, height 2010 mm, with busbar system (4-conductor E-Cu 30 x 6 mm), fits max. 7 installation units	2010	839	277	1	VS 207 ST SS	93282-0312

Accessories for distribution cabinets Accessories for assembly



93835-0010

Base for distribution cabinets, size 00 and 0

Designation	Height	Width	Depth	PU	Product designation	Order no.
In-ground base, size 00 / 900 mm (kit)	900	480	315	1	Eingrabsockel Gr. 00, 900 mm	93835-0010
In-ground base, size 0 / 900 mm (kit)	900	585	315	1	Eingrabsockel Gr. 0 / 900 mm	93810-1010
In-ground base, size 0 / 1125 mm, flood-proofing (kit)	1125	585	315	1	Eingrabsockel Gr. 0 / 1125 mm	93835-1020
Floor-mounted base, size 0 / 250 mm	250	585	315	1	Bodenaufbausockel Gr. 0 / 250 mm	93835-1030
Wall bracket, size 0 with cover plate, 4 x drop-in stepped nipple grommets for cables of 50 - 185 mm ²	640	585	315	1	Wandkonsole Gr. 0	93835-1040
In-ground base, fairground, size 0, with 4 cable inlets	900	585	315	1	Eingrabsockel Gr. 0, FP - 4 Kabeleinf.	93835-1050
Floor-mounted base, fairground, size 0, with 4 cable inlets	250	585	315	1	Bodenaufbausockel Gr. 0 FP, 4 Kabelf.	93835-1055



93835-0110

Base for distribution cabinets, size 1

Designation	Height	Width	Depth	PU	Product designation	Order no.
In-ground base, size 1 / 900 mm (kit)	900	780	315	1	Eingrabsockel Gr. 1 / 900 mm	93835-0110
In-ground base, size 1 / 1125 mm, flood-proofing (kit)	1125	780	315	1	Eingrabsockel Gr. 1 / 1125 mm	93835-0120
Floor-mounted base, size 1 / 250 mm	250	780	315	1	Bodenaufbausockel Gr. 1 / 250 mm	93835-0130
Wall bracket, size 1 with cover plate, 6 x drop-in stepped nipple grommets for cables of 50 - 185 mm ²	640	780	315	1	Wandkonsole Gr. 1	93835-0140
In-ground base, fairground, size 1, with 6 cable inlets	900	780	315	1	Eingrabsockel Gr. 1, FP - 6 Kabeleinf.	93835-0150
Floor-mounted base, fairground, size 1, with 6 cable inlets	250	780	315	1	Bodenaufbausockel Gr. 1 FP, 6 Kabelf.	93835-0155

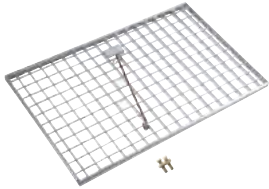


93835-0210

Base for distribution cabinets, size 2

Designation	Height	Width	Depth	PU	Product designation	Order no.
In-ground base, size 2 / 900 mm (kit)	900	1110	315	1	Eingrabsockel Gr. 2 / 900 mm	93835-0210
In-ground base, size 2 / 1125 mm, flood-proofing (kit)	1125	1110	315	1	Eingrabsockel Gr. 2 / 1125 mm	93835-0220
Floor-mounted base, size 2 / 250 mm	250	1110	315	1	Bodenaufbausockel Gr. 2 / 250 mm	93835-0230
Wall bracket, size 2 with cover plate, 9 x drop-in stepped nipple grommets for cables of 50 - 185 mm ²	640	1110	315	1	Wandkonsole Gr. 2	93835-0240
In-ground base, fairground, size 2, with 9 cable inlets	900	1110	315	1	Eingrabsockel Gr. 2, FP - 9 Kabeleinf.	93835-0250
Floor-mounted base, fairground, size 2, with 9 cable inlets	250	1110	315	1	Bodenaufbausockel Gr. 9 FP, 9 Kabelf.	93835-0255

Accessories for distribution cabinets and distribution pillars Accessories for assembly



93825-9756

Steel floor grid

Designation	PU	Product designation	Order no.
Steel floor grid kit VS 142/162	1	Bodenrost-Stahlblech Set für VS 142	93825-0266
Steel floor grid kit for distribution cabinet, size 00	1	Bodenrost-Stahlblech Set für KVS Gr. 00	93825-0269
Steel floor grid kit for distribution cabinet, size 0	1	Bodenrost-Stahlblech Set für KVS Gr. 0	93825-0270
Steel floor grid kit for distribution cabinet, size 1	1	Bodenrost-Stahlblech Set für KVS Gr. 1	93825-0271
Steel floor grid kit for distribution cabinet, size 2	1	Bodenrost-Stahlblech Set für KVS Gr. 2	93825-0272
Steel floor grid kit VS 152/172/202	1	Bodenrost-Stahlblech Set für VS 152	93825-0273
Steel floor grid kit VS 155/175/205	1	Bodenrost-Stahlblech Set für VS 155	93825-0274
Steel floor grid kit VS 157/177/207	1	Bodenrost-Stahlblech Set für VS 157	93825-0275



93820-5075

Base filler

Features:

Filler material to reduce the accumulation of condensed water in enclosures located outdoors.

distribution cabinet 154 Flat = 1 bag
 Distribution cabinet, size 00 and 0 = 2 bags
 Distribution cabinet, size 1 and 2 = 3 bags

Distribution pillar
 115, 135, 142, 152, 153, 154, 162, 172, 173, 202 = 1 bag
 Distribution pillar 155, 175, 176, 205 = 2 bags
 Distribution pillar 157, 177, 207 = 3 bags

Designation	PU	Product designation	Order no.
Filler material to reduce the accumulation of condensed water in enclosures located outdoors. The fill height should be approx. 200 - 300 mm. 1 bag = 25 litres	1	Sockelfüller 25L	93820-5075

Accessories for assembly

Busbar kit for distribution cabinets

Features:

- Tin-plated busbar surface
- Width 30 mm
- Clinch nut M12 fitted symmetrically in 100-mm grid
- Insulator bracket with mounting material

Designation	PU	Product designation	Order no.
Busbar kit, size 00, length 386 mm, E-Cu 3 x external-conductor busbar 30 x 6 mm (4 x M12), PEN/N bar 30 x 5 mm (5 x M12), insulator bracket and mounting material	1	Sammelschienen-Bausatz KVS Gr. 00	93820-8570
Busbar kit, size 0, length 491 mm, E-Cu 3 x external-conductor busbar 30 x 6 mm (5 x M12), PEN/N bar 30 x 5 mm (6 x M12), insulator bracket and mounting material	1	Sammelschienen-Bausatz KVS Gr. 0	93820-8579
Busbar kit, size 1, length 686 mm, E-Cu 3 x external-conductor busbar 30 x 6 mm (7 x M12), PEN/N bar 30 x 5 mm (8 x M12), insulator bracket and mounting material	1	Sammelschienen-Bausatz KVS Gr. 01	93820-8580
Busbar kit, size 2, length 1016 mm, E-Cu 3 x external-conductor busbar 30 x 8 mm (10 x M12), PEN/N bar 30 x 6 mm (11 x M12), insulator bracket and mounting material	1	Sammelschienen-Bausatz KVS Gr. 02	93820-8581

Terminals with terminal bolt M12 x 55

Features:

- 50 mm² re / 35 - 70 mm² rm / 50 - 185 mm² se / 35 - 150 mm² sm
- Torque 40 Nm
- For further terminal variants **see EFEN catalogue, NZ accessories**

Designation	PU	Product designation	Order no.
Terminal clamp with terminal bolt M12 x 55	1	Direkt-Anschlussklemme mit M12 x 55	Auf Anfrage
Terminal double clamp with terminal bolt M12 x 55	1	Direkt-Doppelanschlussklemme mit M12 x 55	Auf Anfrage

Distribution cabinet lighting 15 W

Features:

- Cannot be used in flat-design enclosures.



93820-5924

Designation	PU	Product designation	Order no.
Distribution cabinet lighting with switch and Schuko socket, 10 A	1	Schaltschrankbeleuchtung 10A	93820-5924

Accessories for assembly



93820-0138

Safety cover

Features:

- Various accessories to increase protection against contact

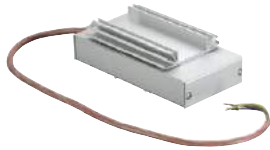
Designation	PU	Product designation	Order no.
Safety cover for busbars with symmetric bores, 102 x 560 mm (W x H) for distribution cabinets and pillars	1	KVS/VS Berührungsschutz SS Sym. Lo.	93820-7930
Safety cover for busbars used with V-type feed clamps 100 x 560 mm (W x H) for distribution cabinets and pillars	1	KVS/VS Berührungsschutz SS V-Kl.	93820-0138
Cover for lateral construction-site connection Ø 55 mm	1	VS-Abdeckung f. Baustellenanschl. 55 mm ²	93820-9626
Retrofit kit, size 00 to increase protection against contact of distribution cabinets from IP43 to IP44	1	Nachrüstsatz KVS Gr. 00 IP44	93808-0000
Retrofit kit, size 0 to increase protection against contact of distribution cabinets from IP43 to IP44	1	Nachrüstsatz KVS Gr. 0 IP44	93808-0010
Retrofit kit, size 1 to increase protection against contact of distribution cabinets from IP43 to IP44	1	Nachrüstsatz KVS Gr. 1 IP44	93808-0020
Retrofit kit, size 2 to increase protection against contact of distribution cabinets from IP43 to IP44	1	Nachrüstsatz KVS Gr. 2 IP44	93808-0030

For NH fuse-rails and NH fuse-switches refer to the EFEN catalogue.
Performance of services on request

Accessories for distribution cabinets and distribution pillars



93820-0994



93820-5517

Accessories for assembly

Designation	PU	Product designation	Order no.
Double-locking, complete without lock cylinder, standard	1	Doppelschließung, komplett ohne Profilhalbzylinder	93820-8842
Locking system, lock cylinder 40 mm, with 2 keys	1	Profil-Halbzylinder 40mm, 2 Schl.	93820-0994
Circuit diagram pocket, DIN A4, adhesive, RAL 7035	1	Schaltplantasche DIN A4	93820-5693
Circuit diagram pocket, DIN A5, adhesive, RAL 7035	1	Schaltplantasche DIN A5	93820-5593
Cabinet heating 33W, thermostatically controlled	1	Schrankheizung 33W	93820-5517
Door opening limiter for distribution cabinets, size 00 - 2, limits door opening angle to approx. 110°	1	KVS Türbegrenzer 110°	93820-9846
Auxiliary fuse holder for NH fuse-links 3 x NH2	1	KVS/VS R.-Sicherungshalter 3 x NH2	93820-5038

Mounting panels for distribution pillars



93840-1420

Mounting panels for distribution pillars

Features:

- Mounting panels made of PVC
- Selection table, page 34

Designation	PU	Product designation	Order no.
Mounting panel for VS 142 PVC 600 x 276 x 6	1	VS 142 Montageplatte 600x276x6	93840-1420
Mounting panel for VS 162 PVC 800 x 276 x 6	1	VS 162 Montageplatte 800x276x6	93840-1620
Mounting panel for VS 152 PVC 700 x 278 x 6	1	VS 152 Montageplatte 700x278x6	93840-1520
Mounting panel for VS 155 PVC 700 x 500 x 6	1	VS 155 Montageplatte 700x500x6	93840-1550
Mounting panel for VS 157 PVC 700 x 756 x 6	1	VS 157 Montageplatte 700x756x6	93840-1570
Mounting panel for VS 172 PVC 850 x 278 x 6	1	VS 172 Montageplatte 850x278x6	93840-1720
Mounting panel for VS 175 PVC 850 x 500 x 6	1	VS 175 Montageplatte 850x500x6	93840-1750
Mounting panel for VS 177 PVC 850 x 756 x 6	1	VS 177 Montageplatte 850x756x6	93840-1770
Mounting panel for VS 202 PVC 1000 x 278 x 6	1	VS 202 Montageplatte 1000x278x6	93840-2020
Mounting panel for VS 205 PVC 1000 x 500 x 6	1	VS 205 Montageplatte 1000x500x6	93840-2050
Mounting panel for VS 207 PVC 1000 x 756 x 6	1	VS 207 Montageplatte 1000x756x6	93840-2070



93850-1540

Mounting kits for distribution pillars

Designation	PU	Product designation	Order no.
Mounting kit for VS 142/162 with membrane flange in inlet	1	Befestigungssatz mit Membranflansch VS 142/162	93850-1420
Mounting kit VS 162 with membrane flange	1	Befestigungssatz mit Membranflansch VS 162	93850-0051
Mounting kit for VS 155/175 with membrane flange in inlet	1	Befestigungssatz mit Membranflansch VS 155/175	93850-1540
Mounting kit for VS 157/177 with membrane flange in inlet	1	Befestigungssatz mit Membranflansch VS 157/177	93850-1570
Mounting kit for VS 202 with membrane flange in inlet	1	Befestigungssatz mit Membranflansch VS 202	93850-2020
Mounting kit for VS 205 with membrane flange in inlet	1	Befestigungssatz mit Membranflansch VS 205	93850-2040
Mounting kit for VS 207 with membrane flange in inlet	1	Befestigungssatz mit Membranflansch VS207	93850-2070

Accessories for distribution cabinets and distribution pillars

► Technical data, 392
Dimensional drawing, page 392



Application example

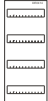
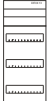
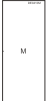
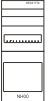


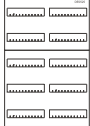

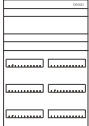

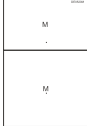



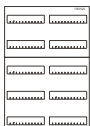

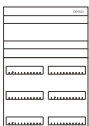
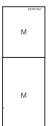
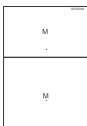



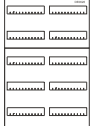


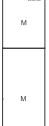
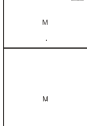
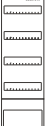

Installation fields for distribution pillars

Designation	Height	Width	Depth	PU	Product designation	Order no.
Installation field 142/162 for rail-mounted devices, width 250 mm, rail spacing 150 mm	600	250	0	1	EBF VS 142/166 REG48 250 mm	93845-0419
Installation field 142/162 for rail-mounted devices and terminal, width 250 mm, rail spacing 150 mm	600	250	0	1	EBF VS 142/166 REG48/KL 250 mm	93845-0413
Installation field for mounting panel 142/162 on underground angle, width 250 mm	600	250	0	1	EBF VS 142/162 Montagepl. 250 mm	93845-0410
Installation field 142/162 for rail-mounted devices, terminals and 2 x NH circuit breaker, size 00, width 250 mm, rail spacing 150 mm	600	250	0	1	EBF VS 142/166 REG48/KL/ NT 2 x Gr. 00 250 mm	93845-0411
Installation field 142/162 for NH circuit breaker, size 1, width 250 mm, rail spacing 150 mm	600	250	0	1	EBF VS 142/166 NT 1 x Gr. 1 250 mm	93845-0412
Installation field 152 - 177 for rail-mounted devices, width 250 mm, rail spacing 150 mm	750	250	100	1	EBF VS 152 - 177 REG60 250 mm	93845-0515
Installation field 152 - 177 for rail-mounted devices, width 500 mm, rail spacing 150 mm	750	500	130	1	EBF VS 152 - 177 REG120/KL 250 mm	93845-0525
Installation field 152 - 177 f or rail-mounted devices and terminals, width 250 mm, rail spacing 150 mm	750	250	100	1	EBF VS 152 - 177 REG60/KL 250 mm	93845-0513
Installation field 152 - 177 for rail-mounted devices and terminals, width 500 mm, rail spacing 150 mm	750	500	130	1	EBF VS 152 - 177 REG120/KL 500 mm	93845-0523
Installation field for mounting panel 152 - 177 on underground angle, width 250 mm	750	250	0	1	EBF VS 152 - 177 Montagepl. 250 mm	93845-0510
Installation field for mounting panel 152 - 177 on underground angle, width 500 mm	750	500	130	1	EBF VS 152 - 177 Montagepl. 500 mm	93845-0520
Installation field 152 - 177 for rail-mounted devices, terminals and 2 x NH circuit breaker, size 00, width 250 mm, rail spacing 150 mm	750	250	0	1	EBF VS 142-177 REG48/KL/NT 1 x Gr. 1 250 mm	93845-0511
Installation field 152 - 177 for NH circuit breaker, size 1, width 250 mm, rail spacing 150 mm	750	250	0	1	EBF VS 152 - 177 NT 1 x Gr. 1 250 mm	93845-0512
Installation field 202 - 207 for rail-mounted devices, width 250 mm, rail spacing 150 mm	900	250	130	1	EBF VS 202 - 207 REG72 250 mm	93845-0616
Installation field 202 - 207 for rail-mounted devices, width 500 mm, rail spacing 150 mm	900	500	130	1	EBF VS 202 - 207 REG144 500 mm	93845-0626
Installation field 202 - 207 f or rail-mounted devices and terminals, width 250 mm, rail spacing 150 mm	900	250	130	1	EBF VS 202 - 207 REG72/KL 250 mm	93845-0614
Installation field 202 - 207 for rail-mounted devices and terminals, width 500 mm, rail spacing 150 mm	900	500	130	1	EBF VS 202 - 207 REG144/KL 500 mm	93845-0624
Installation field for mounting panel 202 - 207 on underground angle, width 250 mm	900	250	130	1	EBF VS 202 - 207 Montagepl. 250 mm	93845-0610
Installation field for mounting panel 202 - 207 on underground angle, width 500 mm	900	500	130	1	EBF VS 202 - 207 Montagepl. 500 mm	93845-0620
Installation field 202 - 207 for rail-mounted installation devices, terminals and 2 x NH circuit breaker, size 00, width 250 mm, rail spacing 150 mm	900	250	130	1	EBF VS 202 - 207 REG72/KL/NT 2 x Gr. 00 250 mm	93845-0618
Installation field 202 - 207 for NH circuit breaker, size 1, width 250 mm, rail spacing 150 mm	900	250	0	1	EBF VS 202 - 207 NT 1 x Gr. 1 250 mm	93845-0613

Mounting kits with membrane flange in inlet.
For further flanges see section Accessories

Installation fields for rail spacing 150 mm

For installation in all empty pillars. Without N- and PE bars. Distribution fields, built in accordance with IEC 439-3 / EN 60439-3 / DIN VDE 0660 part 504 / DIN VDE 43880. Circuit breaker fields are prepared for the installation of horizontal-design NH fuse-switches. Use matching covers.

			for rail-mounted devices		for rail-mounted devices and terminals		for mounting panels on underground angles with contact protection		for REG, terminals and 2 NH fuse-switches size 00	for NH fuse-switches size 1
			250 mm	500 mm	250 mm	500 mm	250 mm	500 mm	250 mm	500 mm
93850-1420 for SL142/162										
			48 REG		48 REG		48 REG		48 REG	48 REG
93820-0051 for SL152	93850-1540 for SL155	93850-1570 for SL157								
			60 REG	120 REG	60 REG	120 REG	60 REG	120 REG	60 REG	60 REG
93845-0051 for SL172	93850-1540 for SL175	93850-1570 for SL177								
			60 REG	120 REG	60 REG	120 REG	60 REG	120 REG	60 REG	60 REG
93850-2020 for SL202	93850-2040 for SL205	93850-2070 for SL207								
			60 REG	120 REG	60 REG	120 REG	60 REG	120 REG	60 REG	60 REG

Distribution cabinets, flat design

System description

Type:

Degree of protection: IP44

Material:

Glass-fibre-reinforced polyester of type FS 833.5 in accordance with DIN 16913

Colour:

RAL 7035 light grey

Dimensions:

See dimensional drawing

Locking:

Single-locking

Base:

Cable mounting rail made of angled steel 40x40x3 mm

Installations (upon request):

- Mounting panel
- NH fuse-rails, size 2
- Vertical-design NH fuse-switches, size 00

Benefits:

- Extremely low-profiled outer dimension of only 220 mm
- Installation depth of 190 mm in accordance with the standard dimension specified in DIN 43629
- Entire installation depth can be used thanks to innovative locking system, patent DE 3903118 C2
- Modern, corrugated design
- Cabinet parts can be painted upon request
- Hinged door with 3 latches, hinged on left-hand or right-hand side
- Optimised breaking point to prevent avoidable earthwork

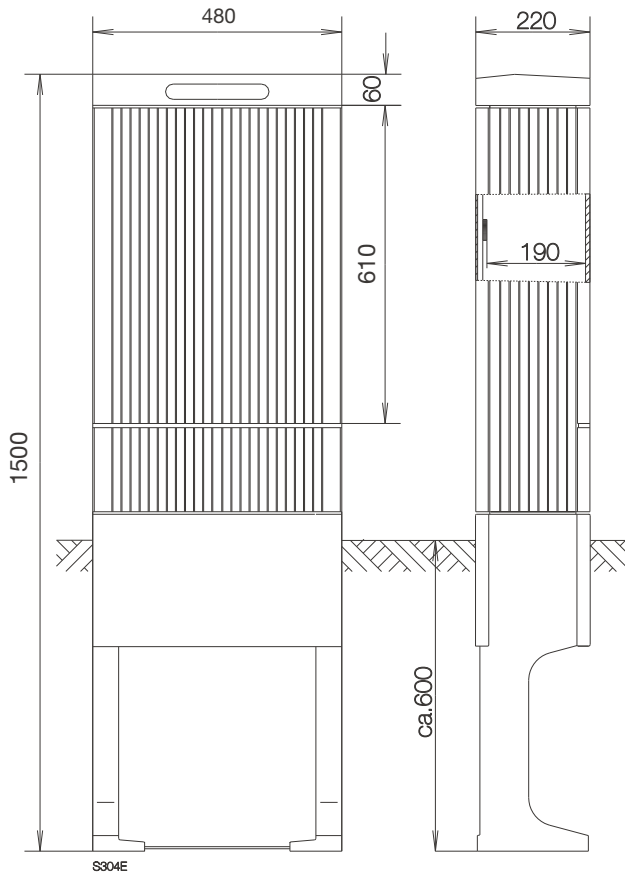
Note:

It is recommended to fit safety covers to distribution cabinets equipped with busbar systems with unused installation spaces.

Distribution cabinets, flat design

Dimensional drawings

Series 154: 93191-0000, 93191-0201



Distribution cabinets, size 00, 0, 1, 2

System description

Type:

Degree of protection: IP44
 Glass-fibre-reinforced polyester of type FS 833.5 in accordance with DIN 16913
 The cabinets comply with DIN EN 61439-5

Colour:

RAL 7035 light grey

Dimensions:

Distribution cabinet in accordance with DIN 43629
 Distribution cabinet, size 0/845 - 845x585x315 mm (HxWxD)
 Distribution cabinet, size 1/845 - 845x780x315 mm (HxWxD)
 Distribution cabinet, size 2/845 - 845x1110x315 mm (HxWxD)

Distribution cabinet in accordance with DIN 43629, part 1
 Distribution cabinet, size 0/1005- 1005x585x315 mm (HxWxD)
 Distribution cabinet, size 0/1355- 1355x585x315 mm (HxWxD)
 Distribution cabinet, size 1/1005- 1005x780x315 mm (HxWxD)
 Distribution cabinet, size 1/1355- 1355x780x315 mm (HxWxD)
 Distribution cabinet, size 2/1005- 1005/x1110x315 mm (HxWxD)
 Distribution cabinet, size 2/1355- 1355/x1110x315 mm (HxWxD)

Distribution cabinet
 Distribution cabinet, size 00/845 - width 480/height 845/depth 315 mm

Locking:

- 3-point espagnolette lock
- Double-locking, one lock cylinder installed

Base:

- Lateral opening for 55-mm construction-site connection that can be closed from inside
- Cable mounting rail made of angled steel, 40 x 40 x 3 mm for bracket clamps
- Breaking point between cabinet and base prevents avoidable earthwork
- The fairground base can be used instead of the polyester base as an alternative

Enclosure:

- Modern, corrugated design
- Easy replacement of defective enclosure parts
- Recyclable as enclosure contains no press-fitted metal parts

Doors:

- 180° for stand-alone units, 90° for cabinets located side-by-side
- Doors are easy to install and remove to and from hinges
- Door hinges can be located on either side
- Cabinets of size 2 can be fitted with doors locking independently of each other (on request)

Ventilation:

Labyrinth-shaped ventilation ducts ensure air flow through the enclosure, preventing the ingress of foreign objects and poking.

Foundation:

- In order to avoid dew inside the enclosure, it is recommended to fill the foundation up to the level of the cable mounting rail after assembly.
- Use base filler (25-l bag, 93820-5075), recommended fill height is 200 - 300 mm.
 Quantity required: for distribution cabinet, size 00, size 0 = 2 bags for distribution cabinet, size 1, size 2 = 3 bags

Distribution cabinet with asymmetric doors:

All distribution cabinets with asymmetric doors are fitted with a PVC mounting panel with partition wall. Left door and right door are fitted with double locking with a lock cylinder. A second cylinder can be added.

Cabinet type	Order no.	Door aperture W x H (mm)	
		left	right
SL 081 V	93110-0401	286 x 740	416 x 740
SL 082 V	93120-0401	274 x 740	757 x 740
SL 101 V	93112-0401	286 x 900	416 x 900
SL 102 V	93122-0401	274 x 900	757 x 900
SL 131 V	93113-0401	286 x 1250	416 x 1250
SL 132 V	93123-0401	274 x 1250	757 x 1250

Note:

It is recommended to fit safety covers to distribution cabinets equipped with busbar systems with unused installation spaces.

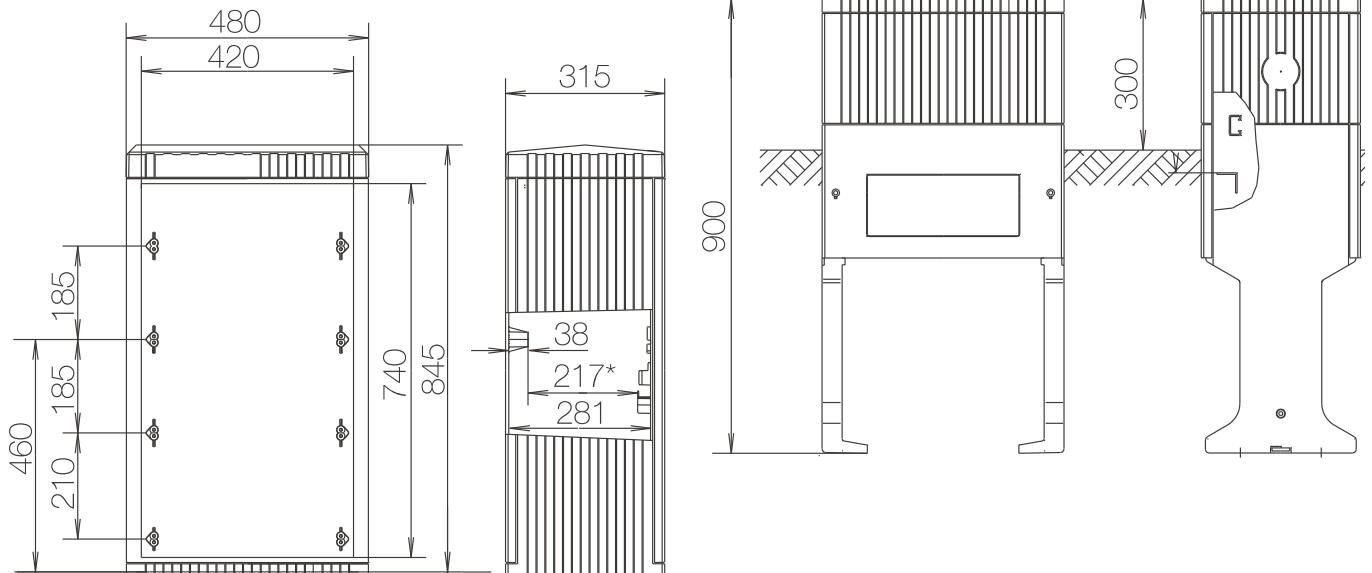
Distribution cabinets and base variants, size 00

Dimensional drawings

Size 00, height 845 mm: 93101-0302

Empty cabinet, one door

In-ground base: 93835-0010

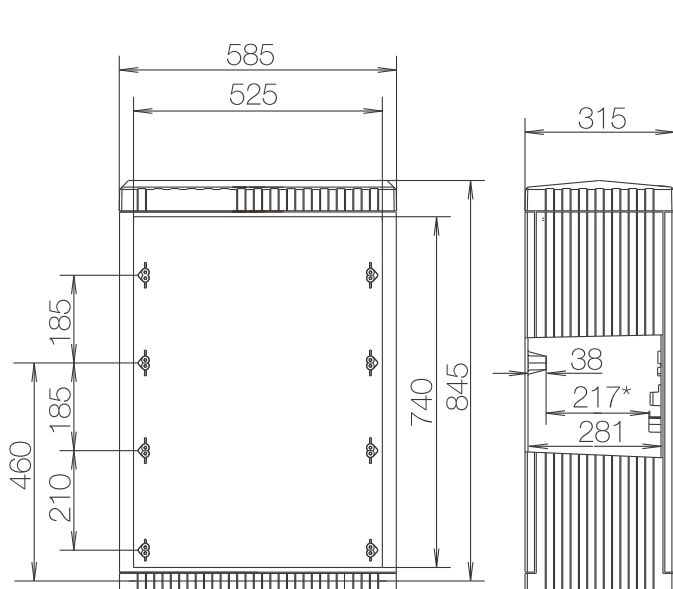


* Installation depth in lock area

Distribution cabinets, size 0 Dimensional drawings

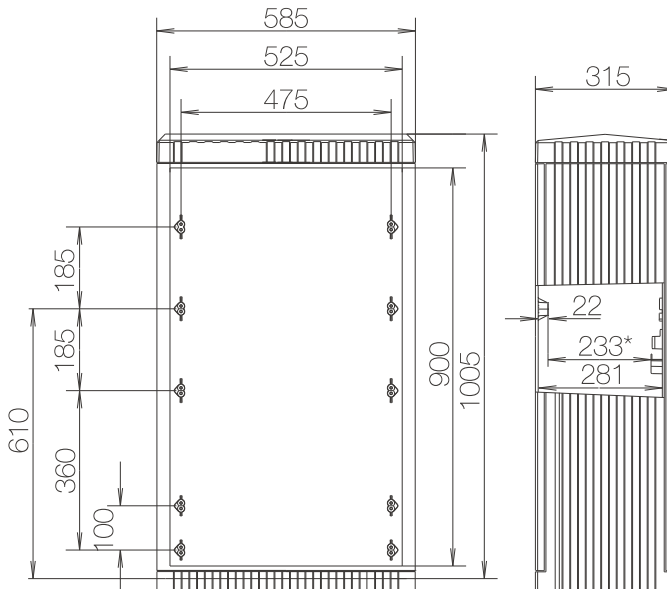
Size 0, height 845 mm: 93101-0000

Empty cabinet, one door



Size 0, height 1005 mm: 93102-0000

Empty cabinet, one door



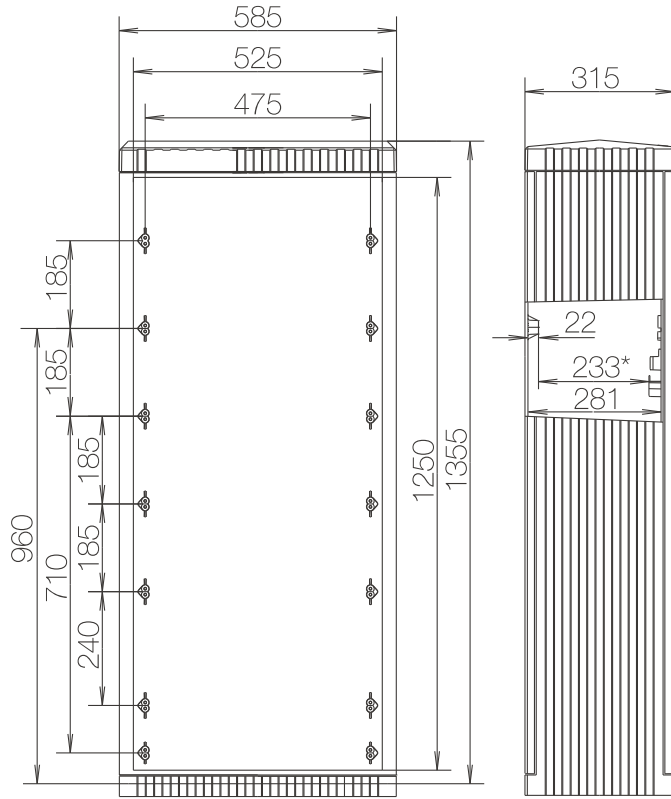
* Installation depth in lock area

Distribution cabinets and base variants, size 0

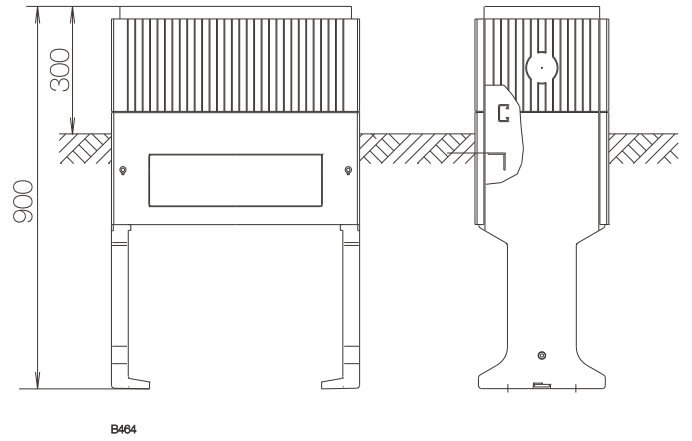
Dimensional drawings

Size 0, height 1355 mm: 93103-0000

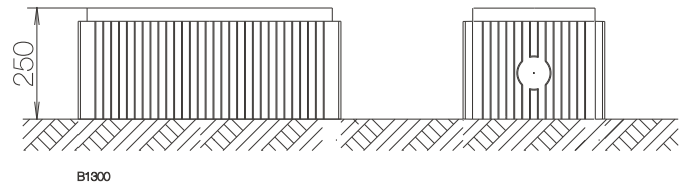
Empty cabinet, one door



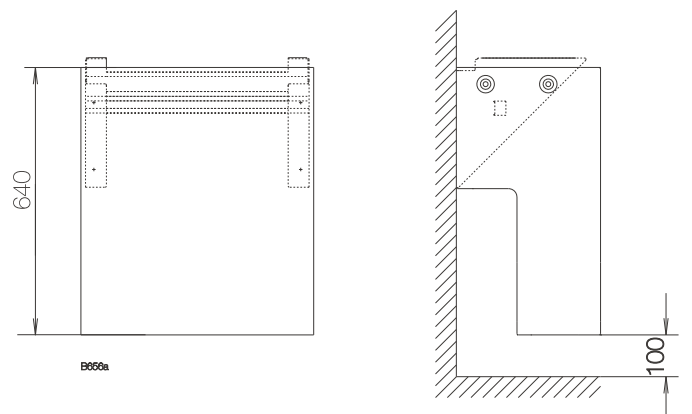
In-ground base: 93810-1010



Floor-mounted base: 93835-1020



Wall bracket: 93835-1030

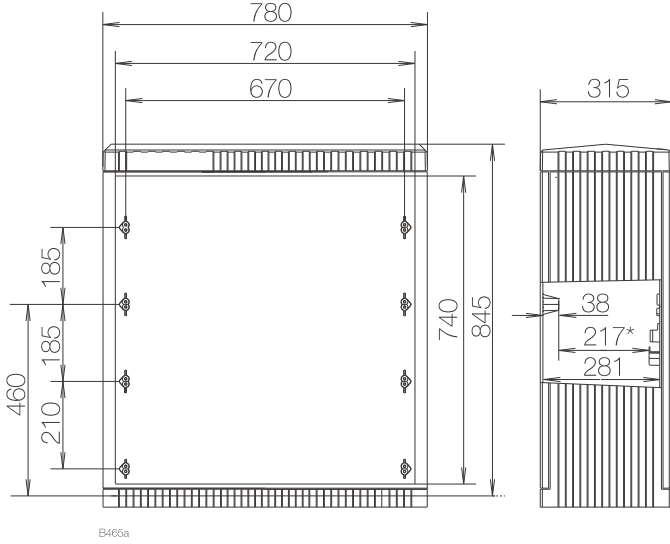


* Installation depth in lock area

Distribution cabinets, size 1 Dimensional drawings

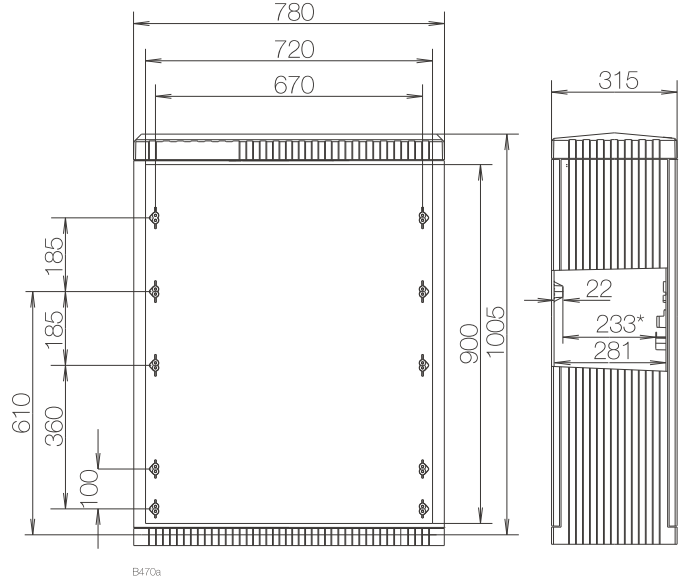
Size 1, height 845 mm: 93110-0000

Empty cabinet, one door



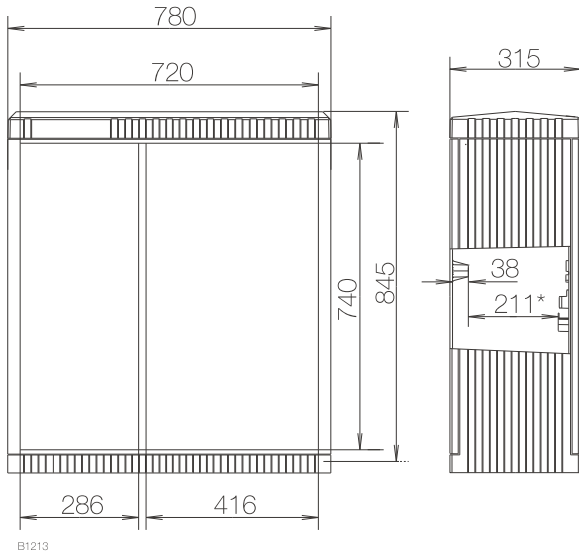
Size 1, height 1005 mm: 93112-0000

Empty cabinet, one door



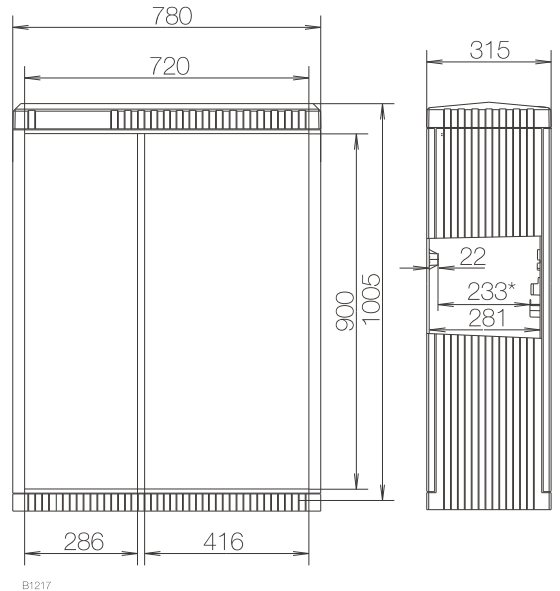
93110-0401

Distribution cabinet with asymmetric doors



93112-0401

Distribution cabinet with asymmetric doors



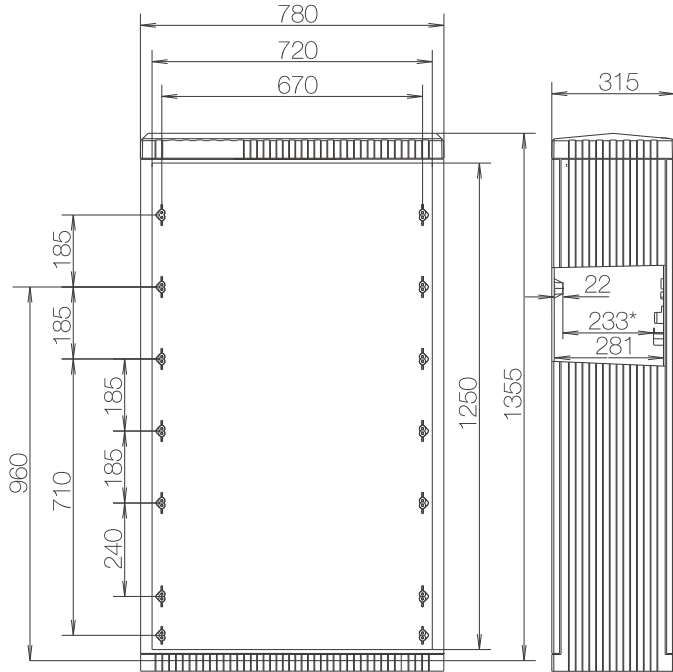
* Installation depth in lock area

Distribution cabinets and base variants, size 1

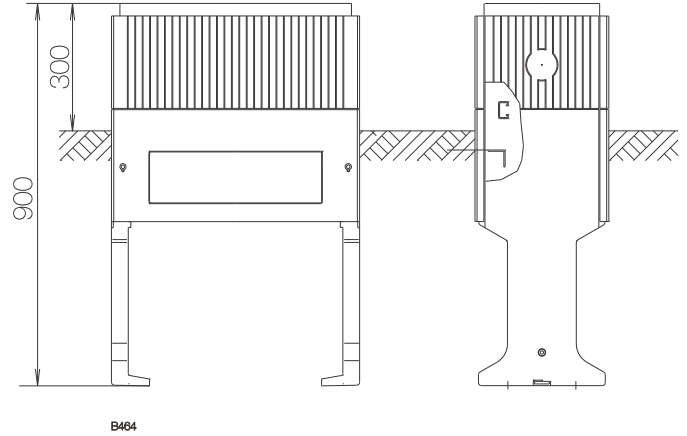
Dimensional drawings

Size 1, height 1355 mm: 93113-0000

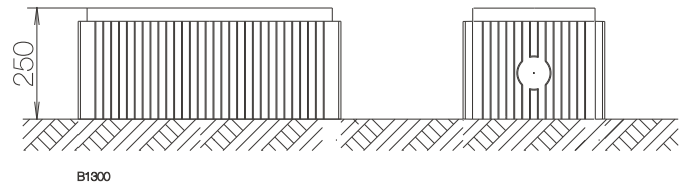
Empty cabinet, one door



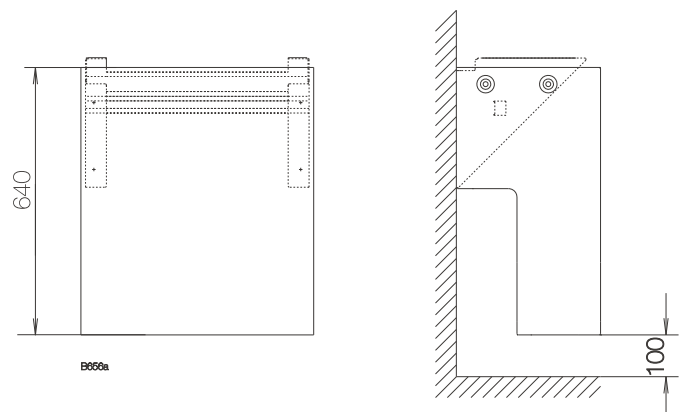
In-ground base: 93835-0110



Floor-mounted base: 93835-0130



Wall bracket: 93835-0140

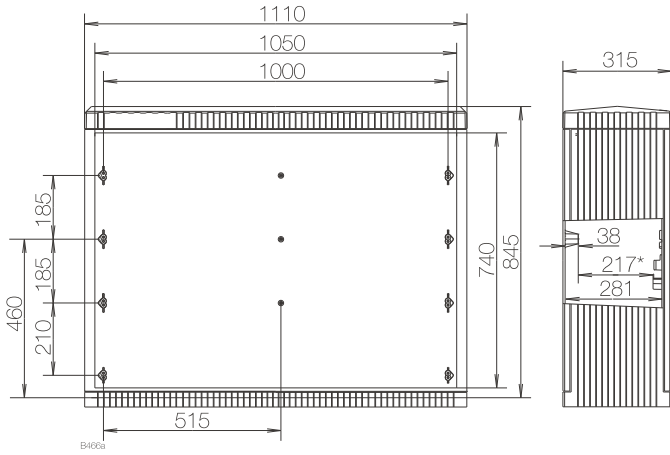


* Installation depth in lock area

Distribution cabinets, size 2 Dimensional drawings

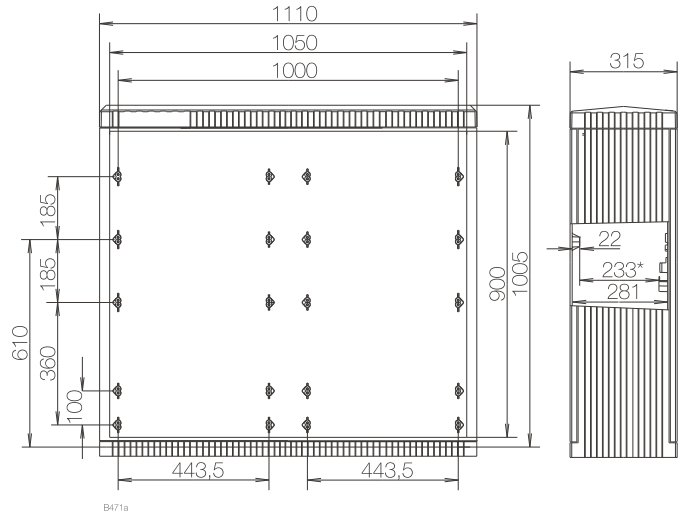
Size 2, height 845 mm: 93120-0000

Empty cabinet, two-door



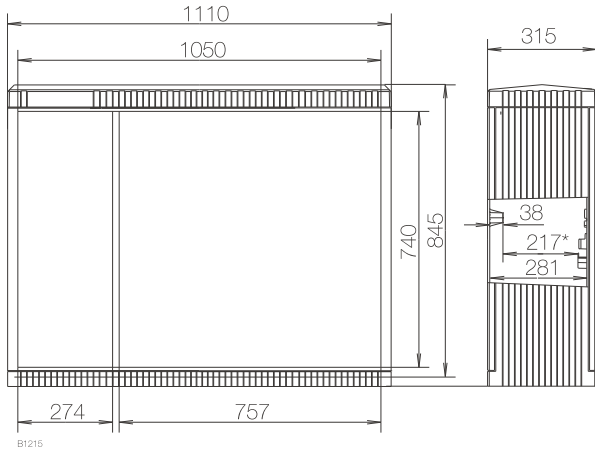
Size 2, height 1005 mm: 93122-0000

Empty cabinet, two-door



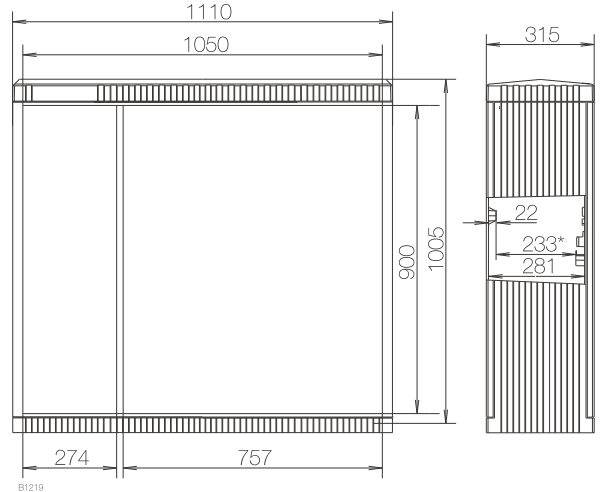
93120-0401

Distribution cabinet with asymmetric doors



93122-0401

Distribution cabinet with asymmetric doors



Distribution systems

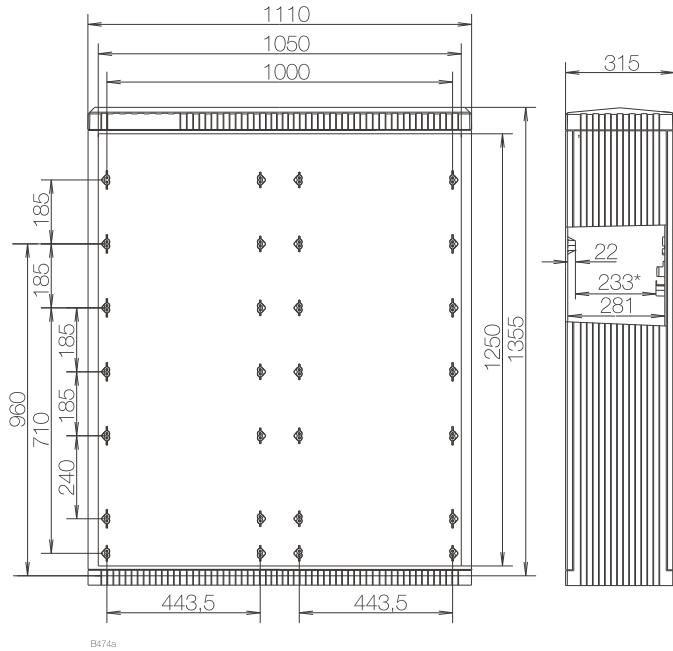
* Installation depth in lock area

Distribution cabinets and base variants, size 2

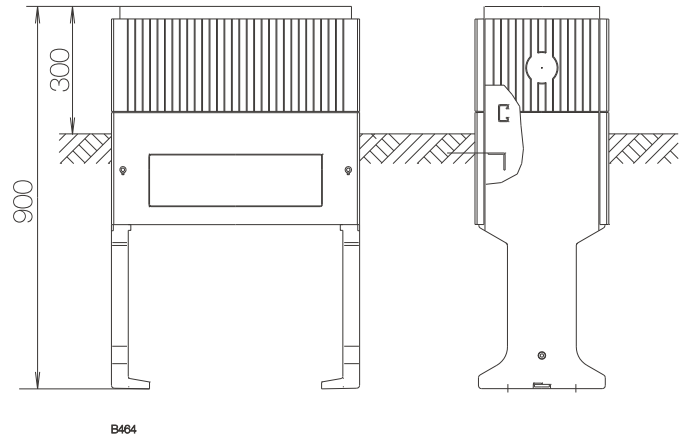
Dimensional drawings

Size 2, height 1355 mm: 93123-0000

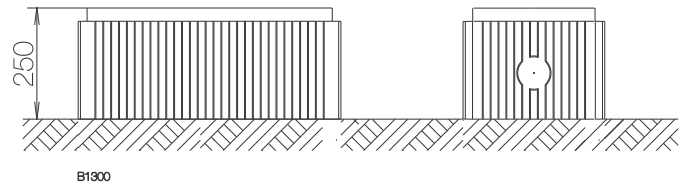
Empty cabinet, two-door



In-ground base: 93835-0210

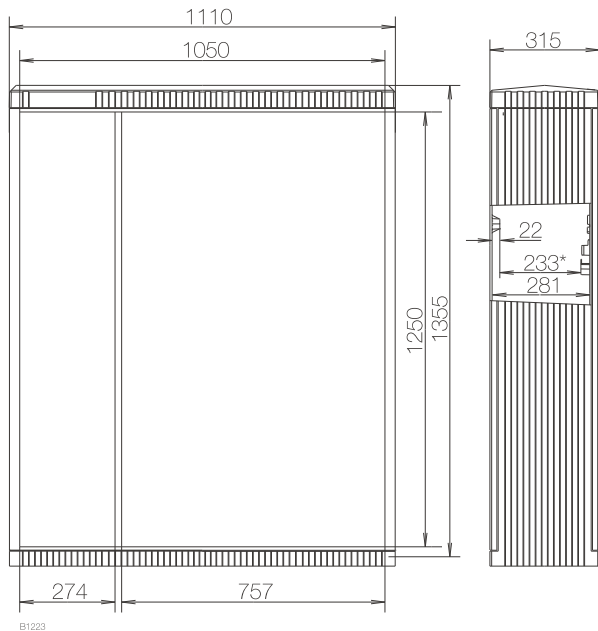


Floor-mounted base: 93835-0230

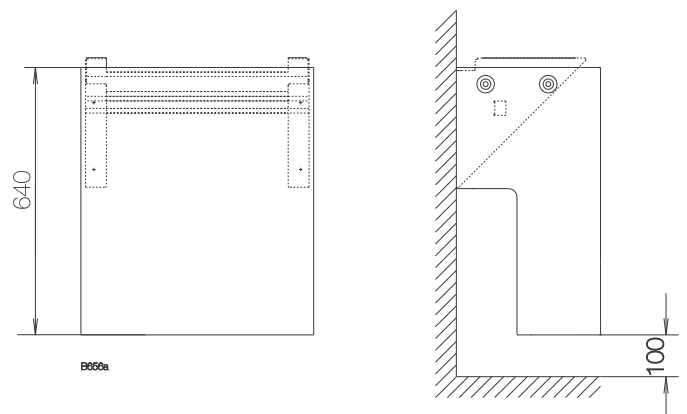


93123-0401

Distribution cabinet with asymmetric doors



Wall bracket: 93835-0240



* Installation depth in lock area

Distribution pillars, series 142, 162

System description

Type:

Degree of protection: IP44

Material:

Glass-fibre-reinforced polyester of type FS 833.5 in accordance with DIN 16913

Colour:

Light grey in accordance with RAL 7035

Dimensions:

See dimensional drawings

Door:

Plug-in door

Locking:

- Empty pillars and variant with mounting panel = double locking, one lock cylinder installed
- Distribution pillar with busbar = single-locking

Base:

Enclosure and base form one unit. Floor grid optional.

Installations (upon request):

- Mounting panel
- NH fuse-rails, size 2
- NH fuse-rails, size 00

Note:

In order to avoid dew inside enclosures installed on moist ground, it is recommended to fill the foundation up to the level of the cable mounting rail after assembly.
Use base filler (25-l bag, 93820-5075), the recommended fill height is 200 - 300 mm.

Product benefits

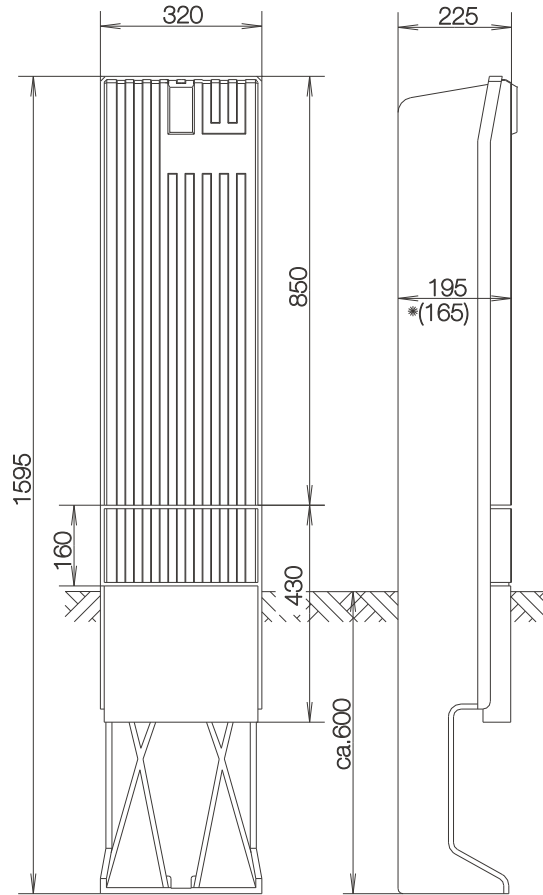
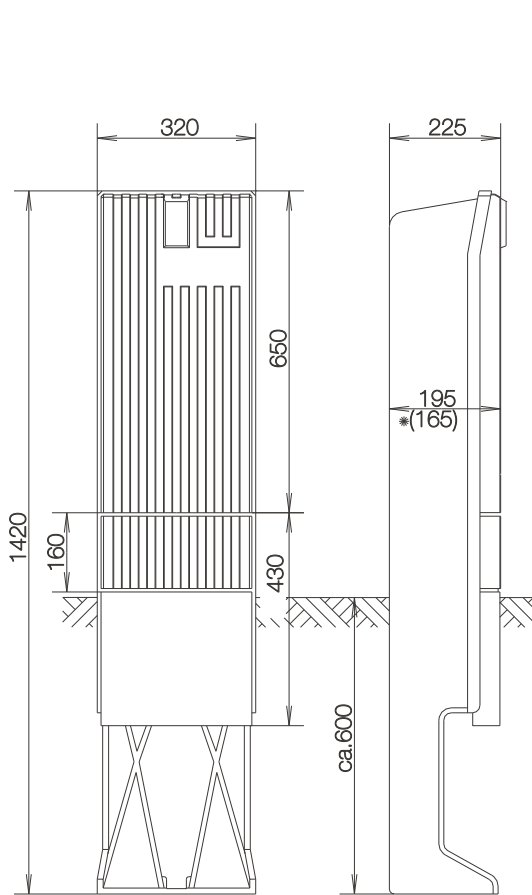
- Low height
- Compact dimensions
- Modern, corrugated design
- Pillar parts can be painted upon request
- Doors are easy to install and remove to and from hinges

Distribution pillars, series 142, 162

Dimensional drawings

Series 142: 93260-0010

Series 162: 93261-0010



Distribution pillars, series 152, 155, 157, 172, 175, 177, 202, 205, 207

System description

Type:

Degree of protection: IP44

Material:

Glass-fibre-reinforced polyester of type FS 833.5 in accordance with DIN 16913

Colour:

Light grey in accordance with RAL 7035

Dimensions:

See dimensional drawings

Locking:

- 3-point espagnolette lock
- Empty pillars and variant with mounting panel = double locking, one lock cylinder installed
- Distribution pillar with busbar = single-locking

Base:

Enclosure and base form one unit.

Installations (upon request):

- Mounting panel
- NH fuse-rails, size 2
- NH fuse-rails, size 00

Note:

In order to avoid dew inside enclosures installed on moist ground, it is recommended to fill the foundation up to the level of the cable mounting rail after assembly.
Use base filler (25-l bag, 93820-5075), the recommended fill height is 200 - 300 mm.

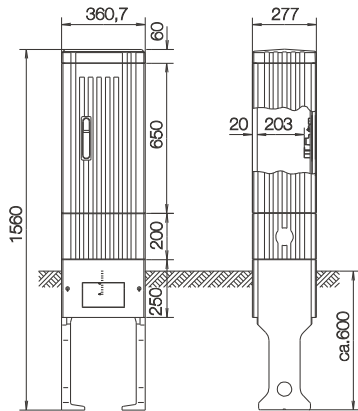
Product benefits

- Modern, corrugated design
- Recyclable as enclosure contains no press-fitted metal parts
- Pillar parts can be painted upon request
- Door handle with flush turn lever made of shockproof plastic
- Doors of stand-alone cabinets open up to 180°
- Pillar can be set up in tightly-spaced rows, doors opening up to 90°
- Doors are easy to install and remove to and from hinges
- Door hinges can be located on left-hand or right-hand side

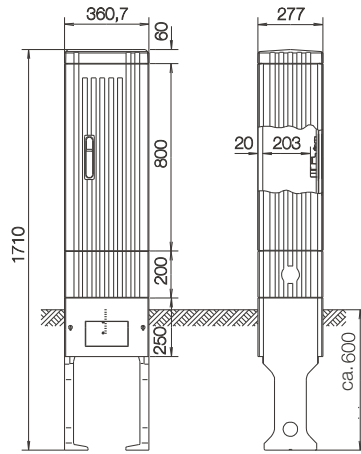
Distribution pillars, series 152, 155, 157, 172, 175, 177, 202, 205, 207

Dimensional drawings

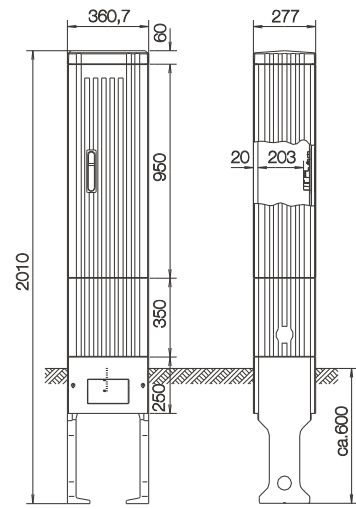
Series 152: 93262-0010



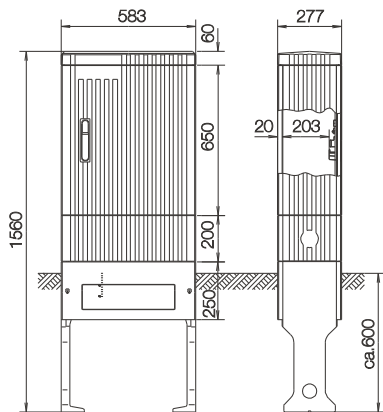
Series 172: 93263-0010



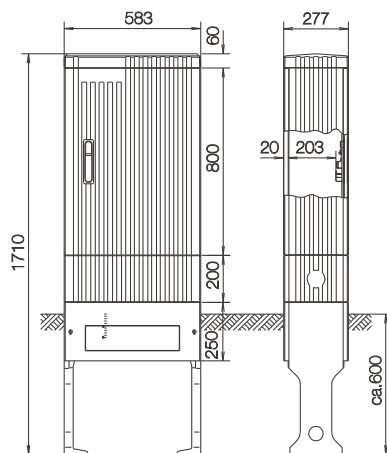
Series 202: 93264-0010



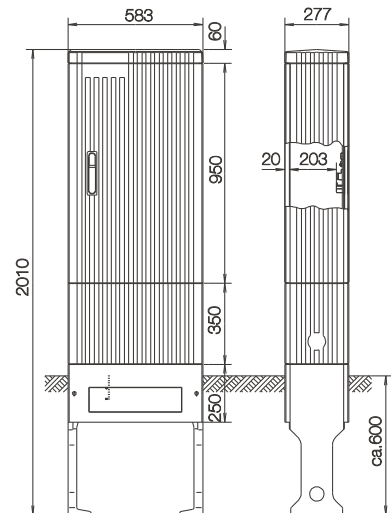
Series 155: 93270-0010



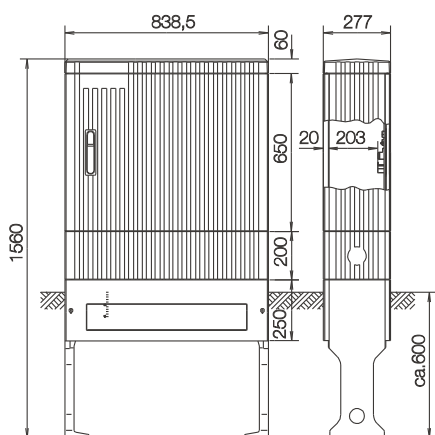
Series 175: 93271-0010



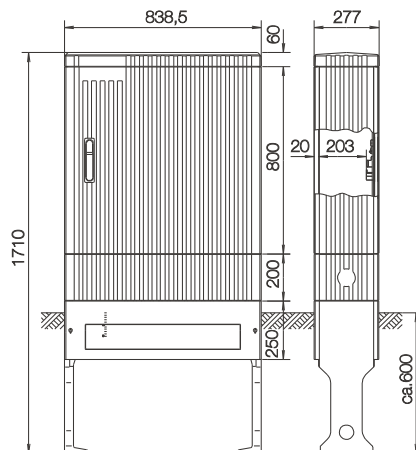
Series 205: 93272-0010



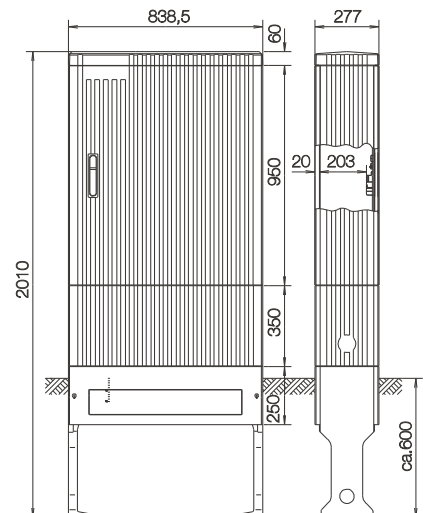
Series 157: 93280-0010



Series 177: 93281-0010



Series 207: 93282-0010



Distribution systems



Elegant Design: Distributors and House Service Pillars

For installation and operation of safe stationary and mobile power distribution systems, EFEN offers a wide comprehensive range of distribution and house service systems.

Distribution systems

System

EFEN's round distribution pillars for distribution and house service applications are visually appealing. Inconspicuous design for indoor and outdoor use.

Features

EFEN's power distributors for fairgrounds and market squares provide reliable functionality and operational safety in any weather. The modular design enables flexible selection of components and a multitude of variants to be realized thanks to pre-assembled installation units.



Elegant Power Distributors and House Service Pillars

Distribution pillar, round page 410

Distribution pillar, round, for market squares and fairgrounds page 411

House service pillar, round, pre-assembled page 412

Accessories page 413

Technical data page 414

Cross-Reference-List page 452

Appealing design

Reliable, safe and elegant design offers many new application options



TCS-compliant

Design and selection of components comply with the technical connection specifications (TCS) of the utility provider



Flexible

Available as stationary and mobile power distribution pillar variants for market squares and fairgrounds - simple, safe, perfect



Highly variable

Mobile fairground distributor with various installation units for outlets up to 32 A



Distribution pillars

► Technical data, 414
Dimensional drawing, page 415, 416



93250-0010

Distribution pillar

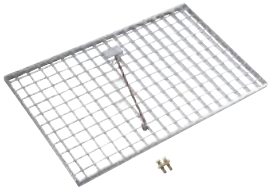
Features:

- Degree of protection: IP44
- Made of glass-fibre-reinforced polyester of type FS 833.5 in accordance with DIN 16913; contains recycled material
- Colour: RAL 7035
- Granite structure
- Single-locking

Designation	Height	Width	Depth	PU	Product designation	Order no.
Distribution pillar 115, height 1150 mm, round	1150	360	360	1	VS 115 ST L	93250-0010
Distribution pillar 115, height 1150 mm, with PVC mounting panel, 260 x 350 x 6 mm (H x W x D), round	1150	360	360	1	VS 115 ST MP	93250-0211
Distribution pillar 135, height 1350 mm, round	1350	360	360	1	VS 135 ST L	93251-0010
Distribution pillar 135, height 1350 mm, with PVC mounting panel, 290 x 350 x 6 mm (H x W x D), round	1350	360	360	1	VS 135 ST MP	93251-0211
Distribution pillar 135, height 1350 mm, with PVC mounting panel, 200 x 537 x 6 mm (H x W x D), round, cable outlet	1350	360	360	1	VS 135 ST MP KA	93251-0511

Accessories for distribution pillars

Distribution systems



93825-0267

Steel floor grid

Designation	PU	Product designation	Order no.
Steel floor-grid kit VS 115/135	1	Bodenrost-Stahlblech Set für VS 115/135	93825-0267



93820-5075

Base filler

Features:

Filler material to reduce the accumulation of condensed water in enclosures located outdoors.

Distribution pillar
115 and 135 = 1 bag

Designation	PU	Product designation	Order no.
Filler material to reduce the accumulation of condensed water in enclosures located outdoors. The fill height should be approx. 200 - 300 mm. 1 bag = 25 litres	1	Sockelfüller 25L	93820-5075

Distribution pillars for market squares and fairgrounds

► Technical data, 414
Dimensional drawing, page 417



93251-0030

Distribution pillars for market squares and fairgrounds

Designation	Height	Width	Depth	PU	Product designation	Order no.
Distribution pillar 135, height 1350 mm, with fairground cutout for power socket combination	1350	360	360	1	VS 115 ST FP	93251-0033
Distribution pillar 135, fairground, height 904 mm	904	360	360	1	VS 135 ST FP	93251-0030

Accessories for distribution pillars for market squares and fairgrounds



93835-0055

Underfloor power supply unit, IP67

Designation	PU	Product designation	Order no.
Base of underfloor power supply unit, cast iron, SF135M, with coupling, 5-pole, 63 A, IP67, for power supply	1	VS 135 Elektrant Gußeisen	93835-0055

House service pillar

► Technical data, 418
Dimensional drawing, page 415



93250-0013

House service pillar

Features:

- Degree of protection: IP44
- Height 1150 mm
- Width 30 mm
- Depth 30 mm
- Made of glass-fibre-reinforced polyester of type FS 833.5 in accordance with DIN 16913; contains recycled material
- Colour: RAL 7035 - granite structure
- Single-locking
- Pre-assembled for use as house service pillar

Designation	PU	Product designation	Order no.
House service pillar 115, height 1150 mm, 1 x 3 NH00, input via V-clamp 10 – 95 mm ² se, output via flat-clamp 10 – 70 mm ² se	1	HAS 115 1x3NH00 Zug. 10-95/Abg. 10-70 ST	93250-0013
House service pillar 115, height 1150 mm, 1 x 3 NH00, input via V-clamp 35 – 240 mm ² se, output via flat-clamp 10 – 70 mm ² se	1	HAS 115 1x3NH00 Zug. 35-240/Abg. 10-70 ST	93250-0113
House service pillar 115, height 1150 mm, 1 x 3 NH00, input via V-clamp 2 x 70 – 240 mm ² se, output via pressure plate 10 – 50 mm ² se	1	HAS 115 1x3NH00 Zug. 2x70-240/Abg. 10-70 ST	93250-0213
House service pillar 115, height 1150 mm, 2 x 3 NH00, input via V-clamp 35 – 240 mm ² se, output via flat-clamp 10 – 70 mm ² se	1	HAS 115 2x3NH00 Zug. 35-240/Abg. 10-70 ST	93250-0313
House service pillar 115, height 1150 mm, 2 x 3 NH00, input via V-clamp 2 x 70 – 240 mm ² se, output via pressure plate 10 – 70 mm ² se	1	HAS 115 2x3NH00 Zug. 2x70-240/Abg. 10-70 ST	93250-0413
House service pillar 115, height 1150 mm, 1 x 3 NH2, input via V-clamp 35 – 240 mm ² se, output via pressure plate 25 – 95 mm ² se	1	HAS 115 1x3NH2 Zug. 35-240/Abg. 25-95 ST	93250-0513
House service pillar 115, height 1150 mm, 1 x 3 NH2, input via V-clamp 2 x 70 – 240 mm ² se, output via pressure plate 25 – 95 mm ² se	1	HAS 115 1x3NH2 Zug. 2x70-240/Abg. 25-95 ST	93250-0613



93251-0013

House service pillar

Features:

- Degree of protection: IP44
- Height 1350 mm
- Width 360 mm
- Depth 360 mm
- Made of glass-fibre-reinforced polyester of type FS 833.5 in accordance with DIN 16913; contains recycled material
- Colour: RAL 7035 - granite structure
- Single-locking
- Pre-assembled for use as house service pillar

Designation	PU	Product designation	Order no.
House service pillar 135, height 1350 mm, 1 x 3 NH00, input via V-clamp 10 – 95 mm ² se, output via flat-clamp 10 – 50 mm ² se	1	HAS 135 1x3NH00 Zug. 10-95/Abg. 10-50 ST	93251-0013
House service pillar 135, height 1350 mm, 1 x 3 NH00, input via V-clamp 35 – 240 mm ² se, output via flat-clamp 10 – 50 mm ² se	1	HAS 135 1x3NH00 Zug. 35-240/Abg. 10-50 ST	93251-0113
House service pillar 135, height 1350 mm, 1 x 3 NH00, input via V-clamp 2 x 70 – 240 mm ² se, output via pressure plate 10 – 50 mm ² se	1	HAS 135 1x3NH00 Zug. 2x70-240/Abg. 10-50 ST	93251-0213
House service pillar 135, height 1350 mm, 2 x 3 NH00, input via V-clamp 35 – 240 mm ² se, output via flat-clamp 10 – 70 mm ² se	1	HAS 135 2x3NH00 Zug. 35-240/Abg. 10-70 ST	93251-0313
House service pillar 135, height 1350 mm, 2 x 3 NH00, input via V-clamp 2 x 70 – 240 mm ² se, output via pressure plate 10 – 70 mm ² se	1	HAS 135 2x3NH00 Zug. 2x70-240/Abg. 10-70 ST	93251-0413
House service pillar 135, height 1350 mm, 1 x 3 NH2, input via V-clamp 35 – 240 mm ² se, output via pressure plate 25 – 95 mm ² se	1	HAS 135 1x3NH2 Zug. 35-240/Abg. 25-95 ST	93251-0513
House service pillar 135, height 1350 mm, 1 x 3 NH2, input via V-clamp 2 x 70 – 240 mm ² se, output via pressure plate 25 – 95 mm ² se	1	HAS 135 1x3NH2 Zug. 2x70-240/Abg. 25-95 ST	93251-0613

Accessories for distribution pillars

► Technical data, 417



93865-0150

Socket combinations for fairgrounds and market squares

Designation	Height	Width	Depth	PU	Product designation	Order no.
Socket combination 1 x CEE socket, 16 A, 5-pole, 2 x Schuko socket, 16 A	288	222	166	1	VS Steckdosenkombi. 1 x CEE 16A - 2 x Schuko 16A	93865-0150
Socket combination 1 x CEE socket, 16 A, 5-pole, 2 x Schuko socket, 32 A	288	222	166	1	VS Steckdosenkombi. 1 x CEE 16A - 2 x Schuko 32A	93865-0160
Socket combination 4 x Schuko socket, 16 A	288	222	160	1	VS Steckdosenkombi. 4 x Schuko 16A	93865-0170
Socket combination 1 x CEE socket, 16 A	288	222	160	1	VS Steckdosenkombi. 1 x CEE 16A	93865-0180
Mounting panel kit for socket combination	350	260	6	1	VS 115/135 Montageplattenset für Steckdosenkombination	93840-0190

Distribution pillar for fairgrounds and market squares

General information

Standards:

DIN VDE 0100 part 722 regulates the installations for fairground and amusement park machinery and structures, vehicles and camper trailers typically used by showmen.

Stationary distribution pillar, round

Variant:

Degree of protection: IP44
Glass-fibre-reinforced polyester of type FS 833.5
DIN 16913, includes recycled material

Colour:

Similar to RAL 7035, light grey with granite structure

Dimensions:

Height 1350 mm / Ø 360 mm

Locking mechanism:

Single-locking, one lock cylinder pre-installed

Base:

- Enclosure and base form one unit

Foundation:

- To avoid condensed water on the inside of the enclosure, it is recommended to fill the foundation up to the level of the cable mounting rail after assembly.
- Use base filler (25-l bag, article number 93820-5075), the recommended fill height is approx. 200 - 300 mm.

Mobile distribution pillar, round

Variant:

Degree of protection: IP44
Glass-fibre-reinforced polyester of type FS 833.5
DIN 16913, includes recycled material

Colour:

Similar to RAL 7035, light grey with granite structure

Dimensions:

Height 904 mm / Ø 360 mm

Locking mechanism:

Single-locking, one lock cylinder pre-installed

Underfloor power supply unit:

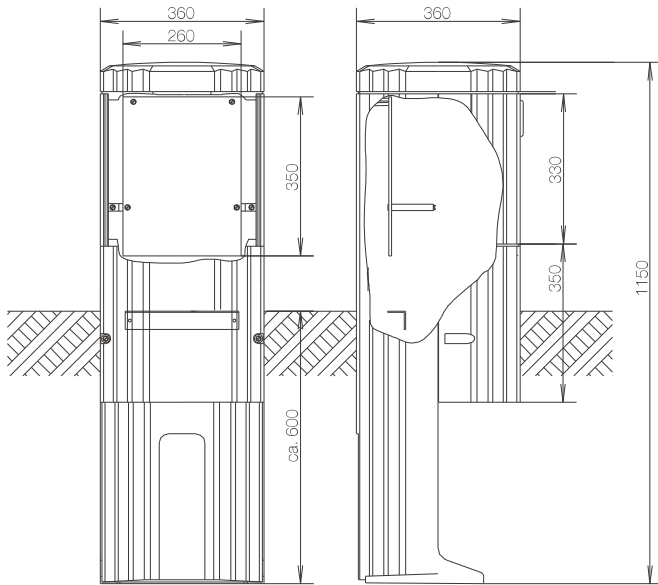
Cast-iron enclosure with cover, 310 x 420 x 315 mm (H x W x D)
Stainless-steel bolts with wing nuts, weight 28.5 kg

Product benefits

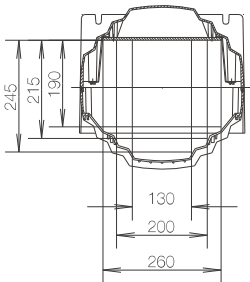
- Flexible assembly thanks to modular design
- Appealing, modern design, winner of the "Gute Industrieform" award
- Cables can be routed out of the enclosure with the door closed
- High number of variants thanks to pre-assembled installation units

Distribution pillar Dimensional drawings

Series 115, round: 93250-0211



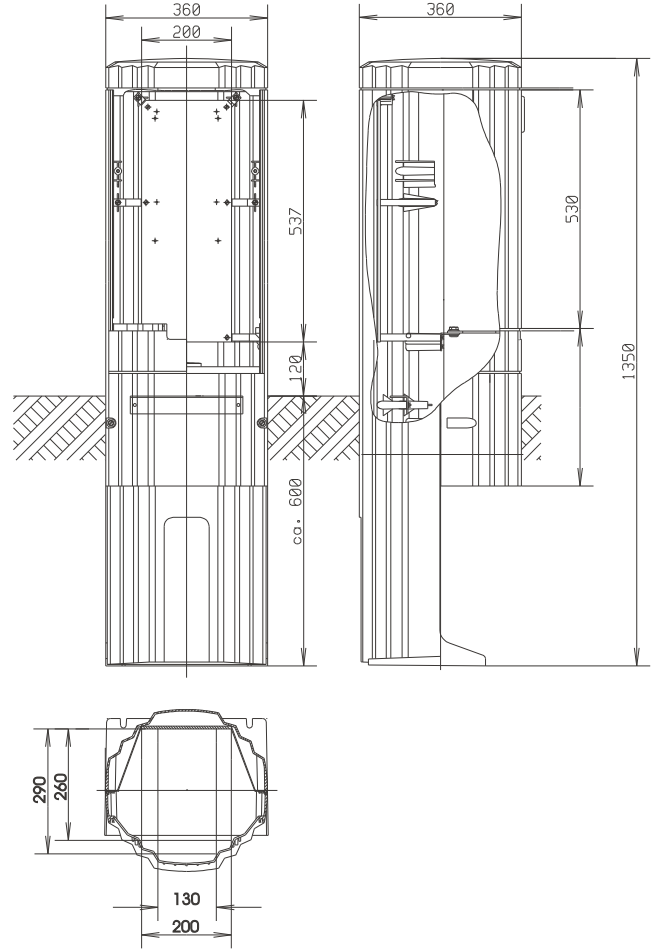
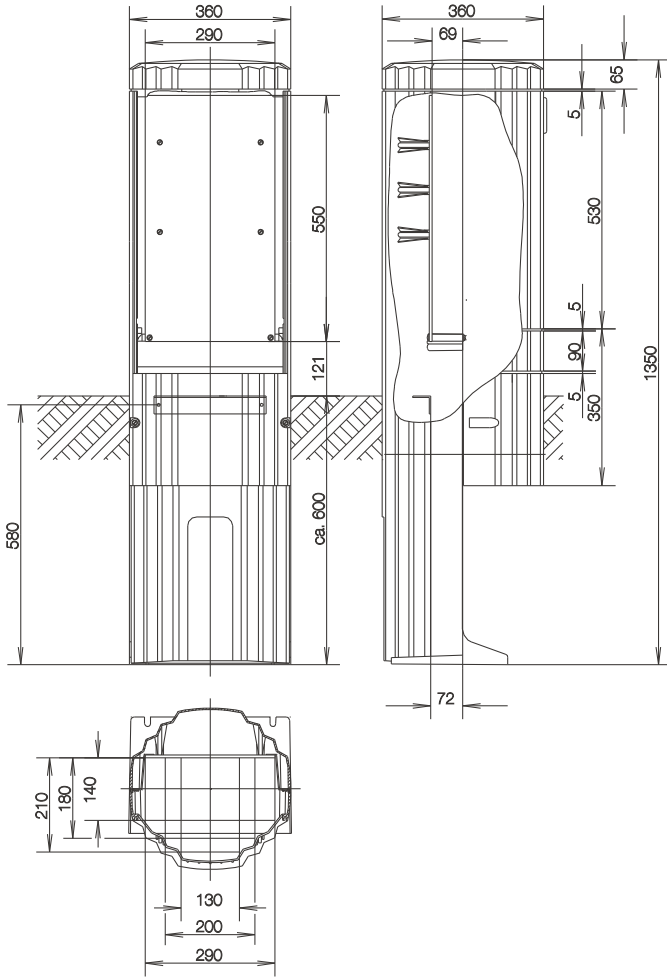
B530



Distribution pillar Dimensional drawings

Series 135, round: 93251-0211

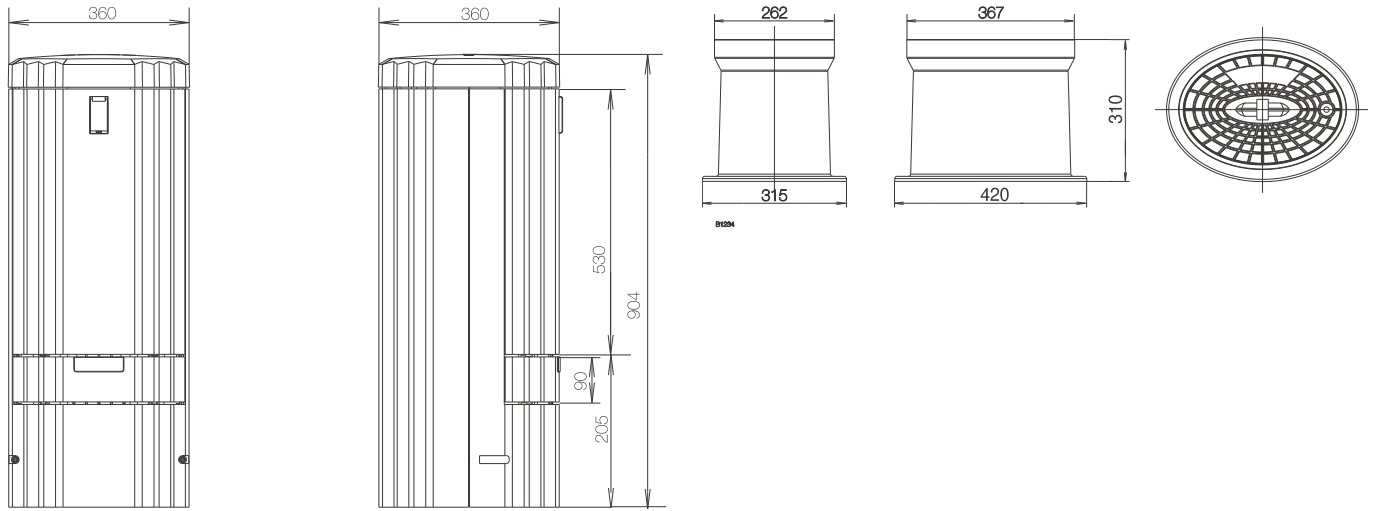
Series 135, round: 93251-0511



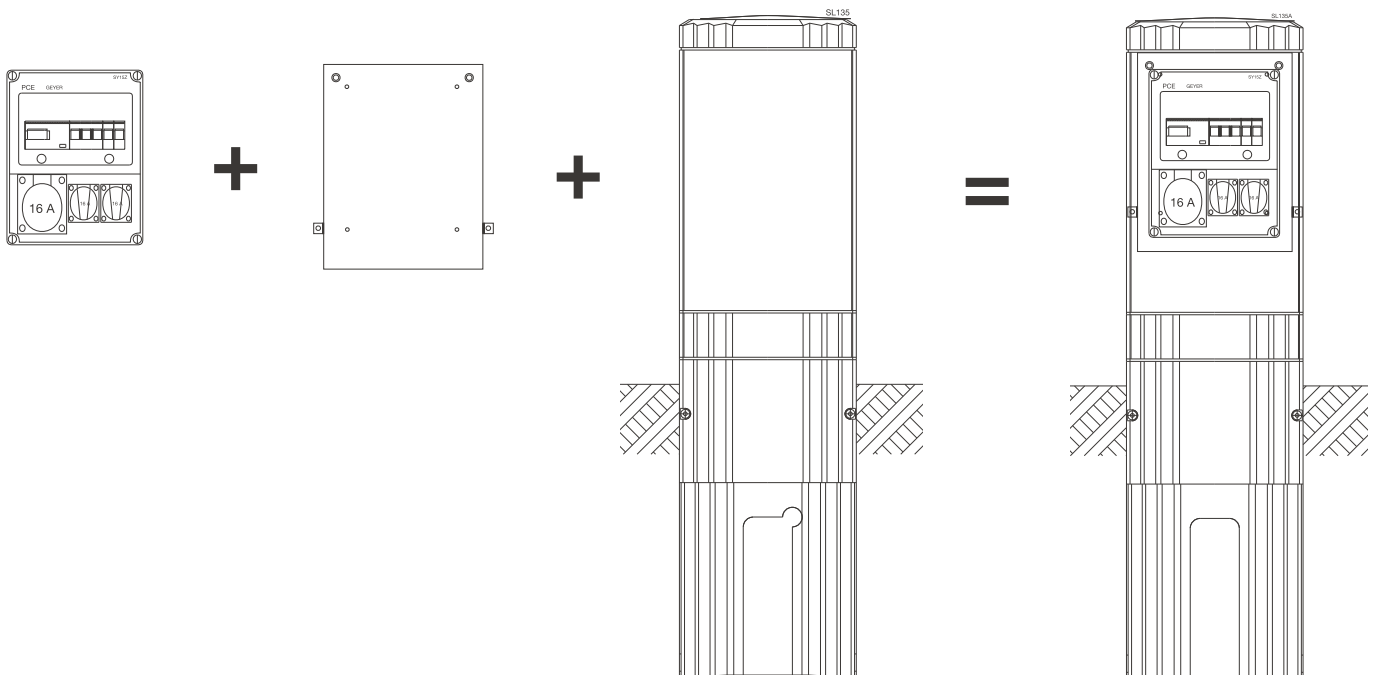
Distribution pillar Dimensional drawings

Series 135, round: 93251-0030

Underfloor power supply unit



Assembly of socket combination for 93251-0033 and 93251-0030



House service pillars

Material:

Glass-fibre-reinforced polyester of type FS 833.5 in accordance with DIN 16913; contains recycled material

Colour:

Similar to RAL 7035, with rock structure

Degree of protection:

IP44

Door:

Plug-in door

Locking mechanism:

Locking mechanism for 1 lock cylinder, locking mechanism for 2 lock cylinders optional

Base:

Enclosure and base form one unit. Floor grid, adjustment rods and earthing connections optional

Installation options:

- 1 x 3 NH00
- 2 x 3 NH00
- 1 x 3 NH2

In the case of grid loops, double-V-clamps are used on the supply side of the external conductors. Two individual terminals are used on the PEN conductor.

Series 115

Dimensions:

Height 1150 mm / Ø 360 mm

Series 135

Dimensions:

Height 1350 mm / Ø 360 mm



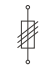
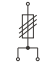
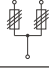
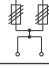
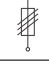
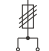
Fitted with NH fuse-rails of size 00 for busbar spacing of 100 mm upon request.

Product benefits

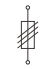
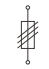
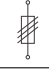

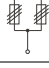
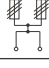
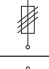
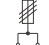
- Weather-resistant – ideal for outdoor use
- Versatile use thanks to modular design, e.g. as outdoor house service distributor, cable distribution, fairground distribution, broadband-cable distribution, pump control for lifting systems, power supply at petrol stations
- Enclosure and base form one unit.
- Units save space inside the building and are accessible for service work at all times
- Award for excellent design

House service pillars

Series 115, round

Order no.		Variants with pre-assembled devices	Input terminals mm ² V-clamps	Output terminals mm ²	Single-locking	Double-locking	1 lock cylinder installed	Split lower front cover	Construction site connection
93250-0013		1 x 3 NH00	10 – 95 se	Steel-box flat-clamp 10–50 se Cu	standard	optional	optional	optional	optional
93250-0113		1 x 3 NH00	35 – 240 se	Steel-box flat-clamp 10–50 se Cu	standard	optional	optional	optional	optional
93250-0213		1 x 3 NH00	2 x 70 – 240 se	Pressure plate 10 – 50 se Cu	standard	optional	optional	optional	optional
93250-0313		2 x 3 NH00	35 – 240 se	Flat 10 – 70 se Cu	standard	optional	optional	optional	optional
93250-0413		2 x 3 NH00	2 x 70 – 240 se	Pressure plate 10 – 70 se Cu	standard	optional	optional	optional	optional
93250-0513		1 x 3NH2	35 – 240 se	Pressure plate 25 – 95 se Cu	standard	optional	optional	optional	optional
93250-0613		1 x 3NH2	2 x 70 – 240 se	Pressure plate 25 – 95 se Cu	standard	optional	optional	optional	optional

Series 135, round

Order no.		Variants with pre-assembled devices	Input terminals mm ² V-clamps	Output terminals mm ²	Single-locking	Double-locking	1 lock cylinder installed	Split lower front cover	Construction site connection
93251-0013		1 x 3 NH00	10 – 95 se	Steel-box flat-clamp 10–50 se Cu	standard	optional	optional	optional	optional
93251-0113		1 x 3 NH00	35 – 240 se	Steel-box flat-clamp 10 – 50 se Cu	standard	optional	optional	optional	optional
93251-0213		1 x 3 NH00	2 x 70 – 240 se	Pressure plate 10 – 50 se Cu	standard	optional	optional	optional	optional
93251-0313		2 x 3 NH00	35 – 240 se	Flat 10 – 70 se Cu	standard	optional	optional	optional	optional
93251-0413		2 x 3 NH00	2 x 70 – 240 se	Pressure plate 10 – 70 se Cu	standard	optional	optional	optional	optional
93251-0513		1 x 3NH2	35 – 240 se	Pressure plate 25 – 95 se Cu	standard	optional	optional	optional	optional
93251-0613		1 x 3NH2	2 x 70 – 240 se	Pressure plate 25 – 95 se Cu	standard	optional	optional	optional	optional



House Service Systems

Advanced safety system interfaces by EFEN for state-of-the-art house applications. The system is prepared to be upgraded to future smart-grid challenges.

Distribution systems

System

EFEN's pre-assembled house service systems save lots of installation time. All solutions comply with the requirements of the different grid operators.

Features

Our small house service pillars are accessible for service work any time. Their low profile and compact dimensions make these elegantly styled enclosures a perfect solution for a protected house service connection located outdoors.



House Service Systems

Cable house service pillars height 1420 mm, pre-assembled	page 422
Cable house service boxes KH 00	page 423
Cable house service boxes KH 1	page 424
Accessories for cable house service boxes	page 426
Technical data	page 428
Cross-Reference-List	page 452

Integral design

Base and housing form one unit - installation is quick and easy



Universal use

Pre-assembled for use as house service pillar



Compact design

The transparent cover allows the visual inspection of the fuses at all times



House service pillars

► Technical data, 428
Dimensional drawing, page 429



93260-0013

Distribution pillar, height 1420 mm, degree of protection IP44, pre-assembled

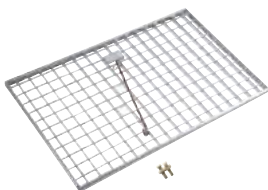
Features:

- Made of glass-fibre-reinforced polyester of type FS 833.5 in accordance with DIN 16913
- Colour: RAL 7035 light grey
- Plug-in door
- Pre-assembled for use as house service pillar
- Single-locking
- Dimensions (H x W x D) 1420 x 320 x 225 mm

Options:

- Double-locking
- 1 lock cylinder installed
- Split lower front cover
- Construction site connections

Designation	PU	Product designation	Order no.
House service pillar 142, height 1420 mm, 1 x 3 NH00, input via V-clamp 10 – 95 mm ² se, output via flat-clamp 10 – 70 mm ² se	1	HAS142 1x3NH00 Zug. 10-95/Abg. 10-70 ST	93260-0013
House service pillar 142, height 1420 mm, 1 x 3 NH00, input via V-clamp 35 – 240 mm ² se, output via flat-clamp 10 – 70 mm ² se	1	HAS142 1x3NH00 Zug. 35-240/Abg. 10-70 ST	93260-0113
House service pillar 142, height 1420 mm, 1 x 3 NH00, input via V-clamp 2 x 70 – 240 mm ² se, output via flat-clamp 10 – 70 mm ² se	1	HAS142 1x3NH00 Zug. 2x70-240/ Abg. 10-70 ST	93260-0213
House service pillar 142, height 1420 mm, 2 x 3 NH00, input via V-clamp 35 – 240 mm ² se, output via flat-clamp 10 – 70 mm ² se	1	HAS142 2x3NH00 Zug. 35-240/Abg. 10-70 ST	93260-0313
House service pillar 142, height 1420 mm, 1 x 3 NH2, input via V-clamp 35 – 240 mm ² se, output via pressure plate 25 – 95 mm ² se	1	HAS142 1x3NH2 Zug. 35-240/Abg. 25-95 ST	93260-0413
House service pillar 142, height 1420 mm, 1 x 3 NH2, input via V-clamp 2 x 70 – 240 mm ² se, output via pressure plate 25 – 95 mm ² se	1	HAS 1x3NH2 Zug. 2x70-240/Abg. 25-95 ST	93260-0513



93825-0266

Steel floor grid

Designation	PU	Product designation	Order no.
Steel floor grid kit for VS 142	1	Bodenrost-Stahlblech Set für VS 142	93825-0266



93820-5075

Base filler

Features:

- Filler material to reduce the accumulation of condensed water in enclosures located outdoors
- Required quantity for house service pillar 142 = 1 bag

Designation	PU	Product designation	Order no.
Filler material to reduce the accumulation of condensed water in enclosures located outdoors. The fill height should be approx. 200 - 300 mm. 1 bag = 25 litres	1	Sockelfüller 25L	93820-5075

House service boxes in accordance with DIN VDE 0660-505

► Technical data, 430, 432
Dimensional drawing, page 431, 433



93403-0053

House service box KH00 / K3 in accordance with DIN VDE 0660-505

Features:

- Degree of protection: IP54, standards: VDE 0660 part 505, protection category II
- Enclosure: Glass-fibre-reinforced polyester of type FS 833.5
- in accordance with DIN 16913, RAL 7035 light grey
- 4-point internal mounting
- Square 8-mm bolt, slotted, bored for sealing wire
- 1 x M25 at top right for equipotential bonding
- Input: steel-box V-clamp 10 – 95 mm² / Output: steel-box flat-clamp 6 – 50 mm²
- 1 x 3NH00, I_n = 100 A

Designation	PU	Product designation	Order no.
Cover made of glass-fibre-reinforced polyester, PEN M4.1: 3 x terminal at output, safety cover: 2-piece, hinged, bored for sealing wire, crystal-clear	1	HAK KH00/K3 1x3NH00 Zug. 10-95/Abg. 6-70 ST	93403-0053
Crystal-clear cover made of polycarbonate, PEN M4.1: 3 x terminal at output, safety cover: 2-piece, hinged, bored for sealing wire, crystal-clear	1	HAK KH00/K3 1x3NH00 Poly-carbonat	93403-0023



93404-0033

House service box KH00 / K4 in accordance with DIN VDE 0660-505

Features:

- Degree of protection: IP54, standards: VDE 0660 part 505, protection category II
- Enclosure: Glass-fibre-reinforced polyester of type FS 833.5
- in accordance with DIN 16913, RAL 7035 light grey
- 4-point internal mounting
- 2 x square 8-mm bolt, slotted, bored for sealing wire
- 1 x M25 at top right for equipotential bonding
- Input: steel-box V-clamp 10 – 95 mm² / Output: steel-box flat-clamp 6 – 50 mm²
- 1 x 3 NH00, I_n = 100 A

Designation	PU	Product designation	Order no.
Cover made of glass-fibre-reinforced polyester, 1 x cable inlet PEN M4.1: 3 x terminal at output, safety cover: 2-piece, hinged, bored for sealing wire, crystal-clear	1	HAK KH00/K4 1x3NH00 Zug. 10-95/Abg. 6-70 ST	93404-0003
House service box KH00 / K4 in accordance with DIN VDE 0660-505, 1 x 3 NH00, 100 A, input: 2 x steel-box V-clamp 10 – 95 mm ² , output: 3 x steel-box flat-clamp 6 – 70 mm ² , loop-through type	1	HAK KH00/K4 1x3NH00 Zug. 10-95/Abg. 6-70 DS	93404-0033



93404-0013

House service box KH00 / K4 in accordance with DIN VDE 0660-505

Features:

- Degree of protection: IP54, standards: VDE 0660 part 505, protection category II
- Enclosure: Glass-fibre-reinforced polyester of type FS 833.5
- in accordance with DIN 16913, RAL 7035 light grey
- 4-point internal mounting
- 2 x square 8-mm bolt, slotted, bored for sealing wire
- 1 x M25 at top right for equipotential bonding
- 2 bottom cable inlets (input and output)
- Ceramic base offset to the right
- DSO cover, contact protection top and bottom
- Input: steel-box V-clamp 10 – 95 mm² / Output: steel-box flat-clamp 6 – 50 mm²
- 1 x 3 NH00, I_n = 100 A
- Including press-fitted rain cover

Designation	PU	Product designation	Order no.
House service box KH00 / K4 in accordance with DIN VDE 0660-505, PEN M1.1: 2 x terminals at output, 1 x 3 NH00, 100 A, input: V-clamp 10 – 95mm ² , output: steel-box flat-clamp 6 – 70 mm ² , including press-fitted rain cover	1	HAK KH00/K4 1x3NH00 Zug. 10-95/Abg. 6-70 RD	93404-0023
House service box KH00 / K4 in accordance with DIN VDE 0660-505, PEN M1.1: 2 x terminal at output, 1 x 3 NH00, 100 A, input: V-clamp 10 – 95 mm ² , output: Steel-box flat-clamp 6 – 70 mm ² , including press-fitted rain cover, locking mechanism for lock cylinder	1	HAK KH00/K4 1x3NH00 Zug. 10-95/Abg. 6-70 RD SV	93404-0013

House service boxes in accordance with DIN VDE 0660-505

► Technical data, 434
Dimensional drawing, page 435



93412-0003

House service box KH1 / K12 in accordance with DIN VDE 0660-505

Features:

- Degree of protection: IP54, standards: VDE 0660 part 505, protection category II
- Enclosure: Glass-fibre-reinforced polyester of type FS 833.5
- in accordance with DIN 16913, RAL 7035 light grey
- 4-point internal mounting
- 2 x square 8-mm bolt, slotted, bored for sealing wire
- 1 x 3NH2, I_n = 250 A

Designation	PU	Product designation	Order no.
House service box KH1 / K12 in accordance with DIN VDE 0660-505, 1 x 3 NH2, 250 A, input: V-clamps 35 – 185 mm ² se, output: pressure plate 16 – 150 mm ² se, standard	1	HAK KH1/K12 1x3NH2 Zug. 35-185/Abg. 16-150 ST	93412-0003
Clear cover made of polycarbonate 1 x cable inlet Input: V-clamps 35 – 185 mm ² se Output: V-clamps 35 – 185 mm ² se PEN M4.1: 2 x terminals at output + POT 10 – 70 mm ² Cu/Al	1	HAK KH1/K12 1x3NH2 Polycarbonat	93412-3763
House service box KH1 / K12 in accordance with DIN VDE 0660-505, 1 x 3 NH2, 250 A, input: steel-box V-clamp 35 – 185 mm ² se, output: pressure plate 16 – 150 mm ² se standard	1	HAK KH1/K12 1x3NH2 Zug. 35-185/Abg. 16-150 ST	93412-0043
Loop-through type Cover made of glass-fibre-reinforced polyester 2 x cable inlet Input: Pressure plates 16 – 150 mm ² sm Output: Pressure plates 16 – 150 mm ² sm PEN M4.1: 2 x terminals at output + POT 10 – 70 mm ² Cu/Al	1	HAK KH1/K12 1x3NH2 Zug. 16-150/Abg. 16-150 DS	93412-0073

House service box KH1 / K12 in accordance with DIN VDE 0660-505

Features:

- Degree of protection: IP54, standards: DIN VDE 0660-505, protection category II
- Enclosure: Glass-fibre-reinforced polyester of type FS 833.5
- in accordance with DIN 16913, RAL 7035 light grey
- 4-point internal mounting
- 2 x square 8-mm bolt, slotted, bored for sealing wire
- 1 x 3 NH2, I_n = 250 A
- Including rain cover

Designation	PU	Product designation	Order no.
House service box KH1 / K12 in accordance with DIN VDE 0660-505, 1 x 3 NH2, 250 A, input: V-clamps 35 – 185 mm ² se, output: pressure plate 16 – 150 mm ² se, with sheet-metal rain cover	1	HAK KH1/K12 1x3NH2 Zug. 35-185/Abg. 16-150 RD	93412-0023

House service box KH1 / K12 in accordance with DIN VDE 0660-505

Features:

- Degree of protection: IP54, standards: DIN VDE 0660-505, protection category II
- Enclosure: Glass-fibre-reinforced polyester of type FS 833.5
- in accordance with DIN 16913, RAL 7035 light grey
- 4-point internal mounting
- 2 x square 8-mm bolt, slotted, bored for sealing wire
- 2 x 3 NH00, I_n = 2 x 100 A

Designation	PU	Product designation	Order no.
Cover made of glass-fibre-reinforced polyester 1 x cable inlet Input: Pressure plates 16 – 150 mm ² se Output: Pressure plates 10 – 50 mm ² PEN M4.1: Input: 1 x pressure plate 16 – 150 mm ² Output: 5 x pressure plates 10 – 50/70 mm ²	1	HAK KH1/K12 1x3NH2 Zug. 16-150/Abg. 16-150 ST	93412-0013

House service boxes in accordance with DIN VDE 0660-505

► Technical data, 434
Dimensional drawing, page 435

House service box KH1 / K12 in accordance with DIN VDE 0660-505

Features:

- Degree of protection: IP54, standards: DIN VDE 0660-505, protection category II
- Enclosure: Glass-fibre-reinforced polyester of type FS 833.5
- in accordance with DIN 16913, RAL 7035 light grey
- 4-point internal mounting
- 2 x square 8-mm bolt, slotted, bored for sealing wire
- 2 x 3 NH00, $I_n = 2 \times 100 \text{ A}$

Designation	PU	Product designation	Order no.
Loop-through type Cover made of glass-fibre-reinforced polyester 2 x cable inlet Input: Pressure plates 16 – 150 mm ² se Output: Pressure plates 50 – 185 mm ² PEN M4.1: 5 x terminals at output	1	HAK KH1/K12 2x3NH00 Zug. 16-150/Abg. 16-150 DS	93412-0053
Loop-through type Cover made of glass-fibre-reinforced polyester with double breaker lugs 2 x cable inlet Input: Pressure plates 16 – 150 mm ² se Output: Pressure plates 50 – 185 mm ² PEN M4.1: 5 x terminals at output	1	HAK KH1/K12 2x3NH00 Zug. 16-150/Abg. 10-50 DS	93412-0083



93412-3701

House service box KH1 / K12 in accordance with DIN VDE 0660-505

Features:

- Degree of protection: IP54, standards: DIN VDE 0660-505, protection category II
- Enclosure: Glass-fibre-reinforced polyester of type FS 833.5
- in accordance with DIN 16913, RAL 7035 light grey
- 4-point internal mounting
- 2 x square 8-mm bolt, slotted, bored for sealing wire
- 1 x 3 NH00 + 1 x NH2, $I_n = \sum 250 \text{ A}$

Designation	PU	Product designation	Order no.
Cover made of glass-fibre-reinforced polyester 1 x cable inlet Input: Pressure plates 16 – 150 mm ² se Output: Pressure plates 16 – 150 mm ² + 10 – 50 mm ² PEN M4.1: 5 x terminals at output			93412-3701
Loop-through type Cover made of glass-fibre-reinforced polyester 2 x cable inlet Input: Pressure plates 16 – 150 mm ² se Output: Pressure plates 16 – 150 mm ² + 10 – 50 mm ² PEN M4.1: 5 x terminals at output	1	HAK KH1/K12 2x3NH00 Zug. 16-150/Abg. 16-150 DS	93412-0053

House service box KH1 / K12 in accordance with DIN VDE 0660-505

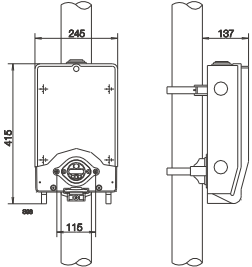
Features:

- Degree of protection: IP54, standards: DIN VDE 0660-505, protection category II
- Enclosure: Glass-fibre-reinforced polyester of type FS 833.5
- in accordance with DIN 16913, RAL 7035 light grey
- 4-point internal mounting
- 2 x square 8-mm bolt, slotted, bored for sealing wire
- 3 x 3 NH00, $I_n = 3 \times 80 \text{ A}$

Designation	PU	Product designation	Order no.
Cover made of glass-fibre-reinforced polyester 1 x cable inlet Input: Pressure plates 16 – 150 mm ² se Output: Pressure plates 10 – 50 mm ² PEN M4.1: 5 x terminals at output	1	HAK KH1/K12 3x3NH00 Zug. 16-150/Abg. 10-50 ST	93412-0033

Accessories

► Technical data, 433



93815-9106

Conversion kit for roof service mast mounting (only for enclosures with knock-outs on rear side)

Designation	PU	Product designation	Order no.
Conversion kit K3/K4 for overhead line – single-strand line 4 x 16 – 50 mm ²	1	HAK Freil. K3/K4 4x16-50 LE	93815-9106
Conversion kit K3/K4 for overhead line – ribbon cable 4 x 16 mm ²	1	HAK Freil. K3/K4 4x16 LF	93815-9109
Conversion kit K3/K4 for overhead line – ribbon cable 4 x 25/35 mm ²	1	HAK Freil. K3/K4 4x25/35 LF	93815-9110
Conversion kit for roof service mast mounting of house service box, open inlet	1	HAK Dachständerbefest. offene Einf.	93810-9108



93810-2406

Retrofit kit for rear-side cable inlet

Features:

- Mounting plate with pilot grommet
- Strain-relief clamp
- Inlet flange with sealing diaphragm
- Mounting hardware

Designation	PU	Product designation	Order no.
Retrofit kit for rear-side cable inlet K3/K4, in the case of K3 only for variant with rear-side knock-out	1	HAK K3/K4Nachrüstbausatz f. rückseitige Kabeleinf.	93810-2406



93810-2843

Rain cover

Features:

- Made of galvanised sheet metal for house service boxes wall-mounted outside
- Fits K12

Designation	PU	Product designation	Order no.
Rain cover made of galvanised sheet metal for house service box K12 (H x W x D) 130 x 360 x 220 mm	1	HAK K12 Regendach	93810-2843



93810-1692

Inlet flange for cable conduits

Features:

- Secures cable conduits in the box inlet

Designation	PU	Product designation	Order no.
Inlet flange for cable conduits for house service boxes K3/K4, size M50	1	HAK K3/K4 Einführungsflansch Gr. M50	93810-1692
Inlet flange for cable conduits for house service boxes K3/K4, size M63	1	HAK K3/K4 Einführungsflansch Gr. M63	93810-1693



93810-0414

Cover frame for flush-mounted house service boxes

Features:

- Flush-mounted installation frame with plug-in door
- Wall rack made of steel strip, galvanised
- Cover frame and door with plastic base coat, RAL 9010

Designation	PU	Product designation	Order no.
Cover frame for flush-mounted wall rack for house service box K3/K4, RAL 9010, recess (H x W x D) 555 x 360 x 185 mm	1	HAK UP-Blendrahmen K3/K4 Wandgestell	93810-0414
Cover frame for flush-mounted wall box for house service box K3/K4, RAL 9010, recess (H x W x D) 555 x 360 x 185 mm	1	HAK UP-Blendrahmen K3/K4 Mauerkasten	93810-0725

Accessories

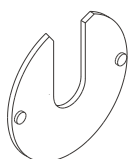
► Technical data, 433



93810-5045

Service mast bracket for house service boxes mounted on wooden masts

Designation	PU	Product designation	Order no.
Service mast bracket for K4 house service boxes mounted on wooden masts	1	HAK Mastbefestigungsbügel K4	93810-5045



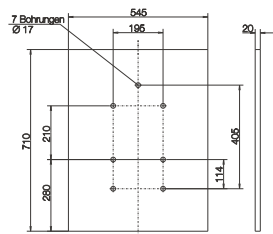
93810-4000

Shim

Features:

- For the mounting on uneven walls

Designation	PU	Product designation	Order no.
Shim for the mounting of K3/K4 house service boxes on uneven walls	1	HAK Unterlegscheibe K3/K4	93810-4000



93810-5805

Base panel for house service boxes

Features:

- Fibre-silicate panels (asbestos-free)
- Arcing-proof
- Drilled

Designation	PU	Product designation	Order no.
Base panel made of fibre-silicate to ensure protection against arcing in accordance with VDE 0100/DIN 57100, T732, point 4, K3/K4 for house service boxes (H x W x D) 710 x 545 x 20 mm	1	HAK Unterlegplatte K3/K4 Lichtbogenschutz	93810-5805



93810-6535

Construction site connection frame

Features:

- Without cover
- Degree of protection: IP54
- Increases installation depth of K4 by 123 mm
- RAL 7035 light grey

Designation	PU	Product designation	Order no.
Construction site connection frame for K4 house service boxes, IP 54, increases installation depth by 123 mm	1	HAK Bauanschlussrahmen K4 ohne Deckel	93810-6535



93810-6534

Construction site connection box

Features:

- Enclosed cover
- Degree of protection: IP21
- Dimensions: (W x H x D) 280 x 490 x 245 mm

Designation	PU	Product designation	Order no.
Construction site connection box for K3/K4 house service boxes, IP 21, (H x W x D) 490 x 280 x 245 mm	1	HAK Bauanschlusskasten K3/K4	93810-6534

House service pillars, series 142

System description

Material:

Glass-fibre-reinforced polyester of type FS 833.5 in accordance with DIN 16913

Colour:

RAL 7035 light grey

Degree of protection:

IP44

Dimensions:

see variants

Door:

Plug-in door

Locking mechanism:

- Locking mechanism for 1 lock cylinder
- Locking mechanism for 2nd lock cylinder optional

Base:

- Enclosure and base form one unit

Installation options:

- 1 x 3 NH00
- 2 x 3 NH00
- 1 x 3 NH2

In the case of grid loops, double busbar terminals or double V-clamps are used on the supply side of the external conductors. Two individual terminals are used on the PEN conductor.

Product benefits

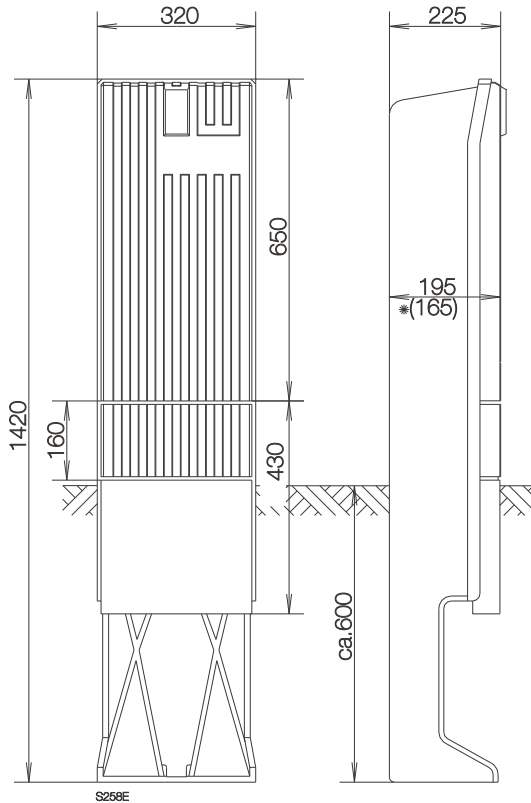
- Low height
- Compact dimensions
- Modern, corrugated design
- Pillar parts can be painted upon request
- Doors are easy to install and remove to and from hinges

House service pillars, series 142

Dimensional drawings

Series 142

93260-0013, 93260-0113, 93260-0213,
93260-0313, 93260-0413, 93260-0513



Order no.		Pre-assembled variants	Input terminals mm ² V-clamps	Output terminals mm ²	Single-locking	Double-locking	1 lock cylinder installed	Split lower front cover	Construction site connection
93260-0013		1 x 3 NH00	10 – 95 se	Pressure plate 10 – 50 se Cu	standard	optional	optional	optional	optional
93260-0113		1 x 3 NH00	35 – 240 se	Pressure plate 10 – 50 se Cu	standard	optional	optional	optional	optional
93260-0213		2 x 3 NH00	2 x 70 – 240 se	Pressure plate 10 – 50 se Cu	standard	optional	optional	optional	optional
93260-0313		2 x 3 NH00	35 – 240 se	Pressure plate 10 – 50 se Cu	standard	optional	optional	optional	optional
93260-0413		1 x 3NH2	35 – 240 se	Pressure plate 25 – 95 se Cu	standard	optional	optional	optional	optional
93260-0513		1 x 3NH2	2 x 70 – 240 se	Pressure plate 25 – 95 se Cu	standard	optional	optional	optional	optional

House service box, KH00, in accordance with DIN VDE 0660-505, series K3

System description

Material:

Glass-fibre-reinforced polyester of type FS 803 in accordance with DIN 16911

Colour:

RAL 7035 light grey

Degree of protection:

IP54

Dimensions:

(W x H x D) 245 x 415 x 137 mm

Wall-mounting of enclosure:

4-point internal mounting
optional
3-point external mounting
2-point external mounting

Enclosure cover:

- Hinged, removable in 15°-position
- Glass-fibre-reinforced polyester of type FS 803
- Transparent variant made of polycarbonate optional

Input:

Sealing membrane, M50 knock-outs on right and left side

Output:

- Stepped nipple grommet
- M50 knock-out on right and left side
- One M25 knock-out on top and one on right-hand side

Installation:

- NH00 bases made of ceramic in accordance with DIN 43620
- NH00 contacts on plastic base optional

Input terminals:

Steel-box V-clamps 10 – 95 mm² Al/Cu

Output terminals:

Steel-box flat-clamps 6 – 50 mm² Al/Cu

PEN conductor:

- Terminals as with NH00 bases
- Additional terminal and stepped nipple grommet M25 for PA (M1)
- Separate terminal for PE/N (M2) optional

DSO cover:

- 2-piece DSO cover, can be stored inside box for re-use

Special-purpose variants:

- Enclosure with knock-outs on sides for drop-in conduit bases
- Enclosures with knock-outs on rear side for roof service mast grommet

House service box, KH00, in accordance with DIN VDE 0660-505, series K3

Dimensional drawings

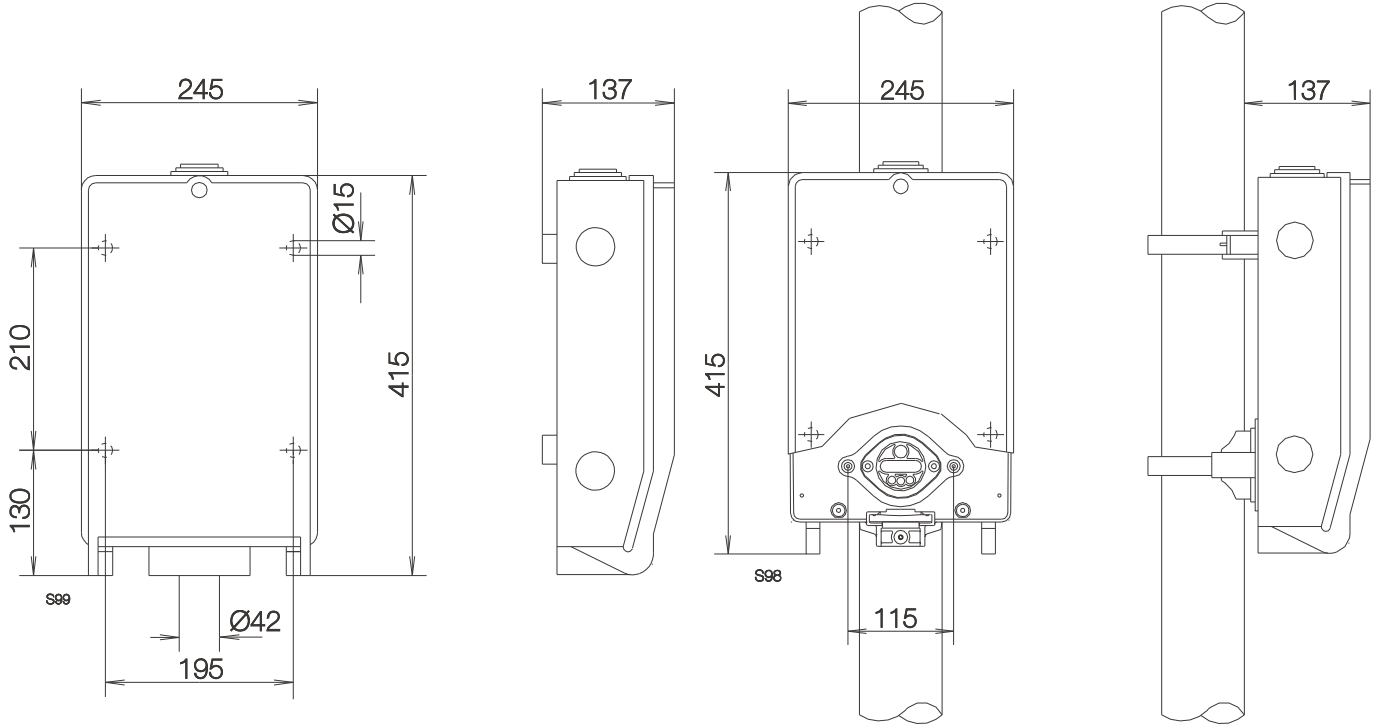
KH00, series K3

with ceramic base, 93403-0053

Conversion kit for roof service mast mounting

(only for enclosures with knock-outs on rear side)

93815-9106, 93815-9108, 93815-9109, 93815-9110, 93810-9111



House service box, KH00, in accordance with DIN VDE 0660-505, series K4

System description

Material:

Glass-fibre-reinforced polyester of type FS 803 in accordance with DIN 16911

Colour:

RAL 7035 light grey

Degree of protection:

IP 54

Dimensions:

(W x H x D) 244 x 400 x 144 mm

Wall-mounting of enclosure:

4-point internal mounting and 3-point external mounting

Enclosure for surface-mounting on outside walls:

- Press-fitted rain cover
- Input and output downward, NH00 bases offset to the right

Enclosure cover:

- Hinged, removable in 15°-position
- Glass-fibre-reinforced polyester of type FS 803
- Transparent variant made of polycarbonate optional

Input:

Sealing membrane, M50 knock-outs on right and left side

Output:

- Stepped nipple grommet
- M50 knock-outs on right and left side
- Two M25 knock-outs on top and one on right-hand side
- Drop-in conduit base M50 with stepped nipple grommet or cable gland
- Elevated drop-in output conduit base with 2 additional output options

Installation:

NH00 bases made of ceramic in accordance with DIN 43620

Input terminals:

Steel-box V-clamps 10 – 95 mm² Al/Cu

Output terminals:

Steel-box flat-clamps 6 – 50 mm² Al/Cu

PEN conductor:

- Terminals as with NH00 bases
- Additional terminal and stepped nipple grommet M25 for PA (M1)
- Separate terminal for PE/N (M2) optional

DSO cover:

- 2-piece DSO cover
- Can be stored inside box for re-use

Special-purpose variants:

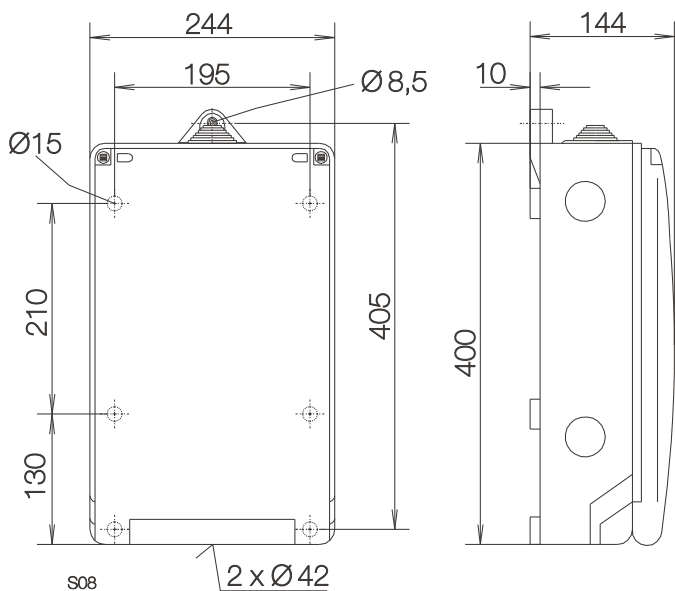
- Enclosure with knock-outs on sides for drop-in conduit bases
- Enclosures with knock-outs on rear side for roof service mast grommet

House service box, KH00, in accordance with DIN VDE 0660-505, series K4

Dimensional drawings

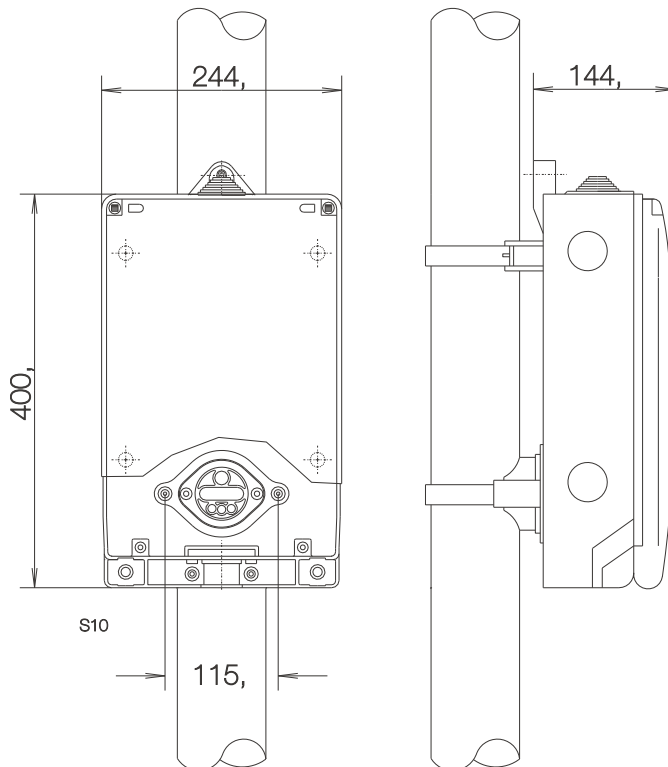
KH00, series K4

Standard type
93404-0003, 93404-0033



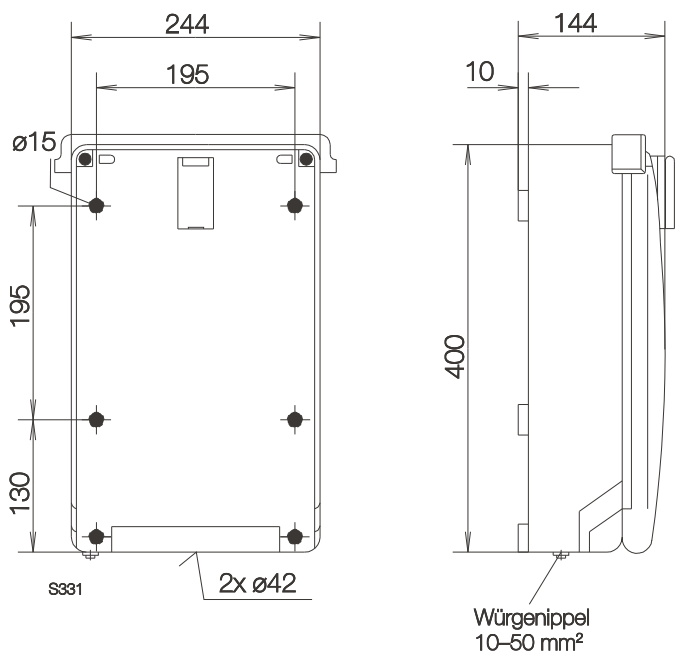
Conversion kit for roof service mast mounting

(only for enclosures with knock-outs on rear side)
93815-9106, 93815-9108, 93815-9109, 93815-9110, 93810-9111



With press-fitted rain cover, 93404-0023

With press-fitted rain cover and locking mechanism, for lock cylinder,
93404-0013



House service box, KH00, KH1 in accordance with DIN VDE 0660-505, series K12

System description

Material:

Glass-fibre-reinforced polyester of type FS 803 in accordance with DIN 16911

Colour:

RAL 7035 light grey

Degree of protection:

IP 54

Dimensions:

(W x H x D) 410 x 720 x 185 mm

Wall-mounting of enclosure:

- 4-point internal mounting
- External mounting with wall tabs optional

Enclosure for surface-mounting on outside walls:

With sheet metal top, input and output downward, NH2 bases offset to the right

Enclosure cover:

- Hinged, removable in 15°-position
- Glass-fibre-reinforced polyester of type FS 803
- Separate consumer space optional
- Transparent variant made of polycarbonate

Input:

- Drop-in conduit base with stepped seal
- Additional drop-in conduit bases for lateral cable inlet on left and right side

Output:

- Drop-in conduit base with stepped seal
- Additional drop-in conduit bases for lateral cable outlet on left and right side

Installation:

- NH00 bases in accordance with DIN 43620
- NH2 bases in accordance with DIN 43620

Input terminals:

- Pressure plates Al/Cu, V-clamps Al/Cu
- Box terminals Al/Cu optional

Output terminals:

- Pressure plates Al/Cu, V-clamps Al/Cu
- Box terminals Al/Cu optional (for NH2 bases)

PEN conductor:

- Terminals as with NH bases
- Additional terminal and stepped nipple grommet M25 for PA (M1)
- Separate terminal for PE/N (M2) optional

DSO cover:

- 1-piece DSO cover
- For 2/3 circuits: 3-piece DSO cover

Special-purpose variants:

Double breaker lugs upstream of NH bases

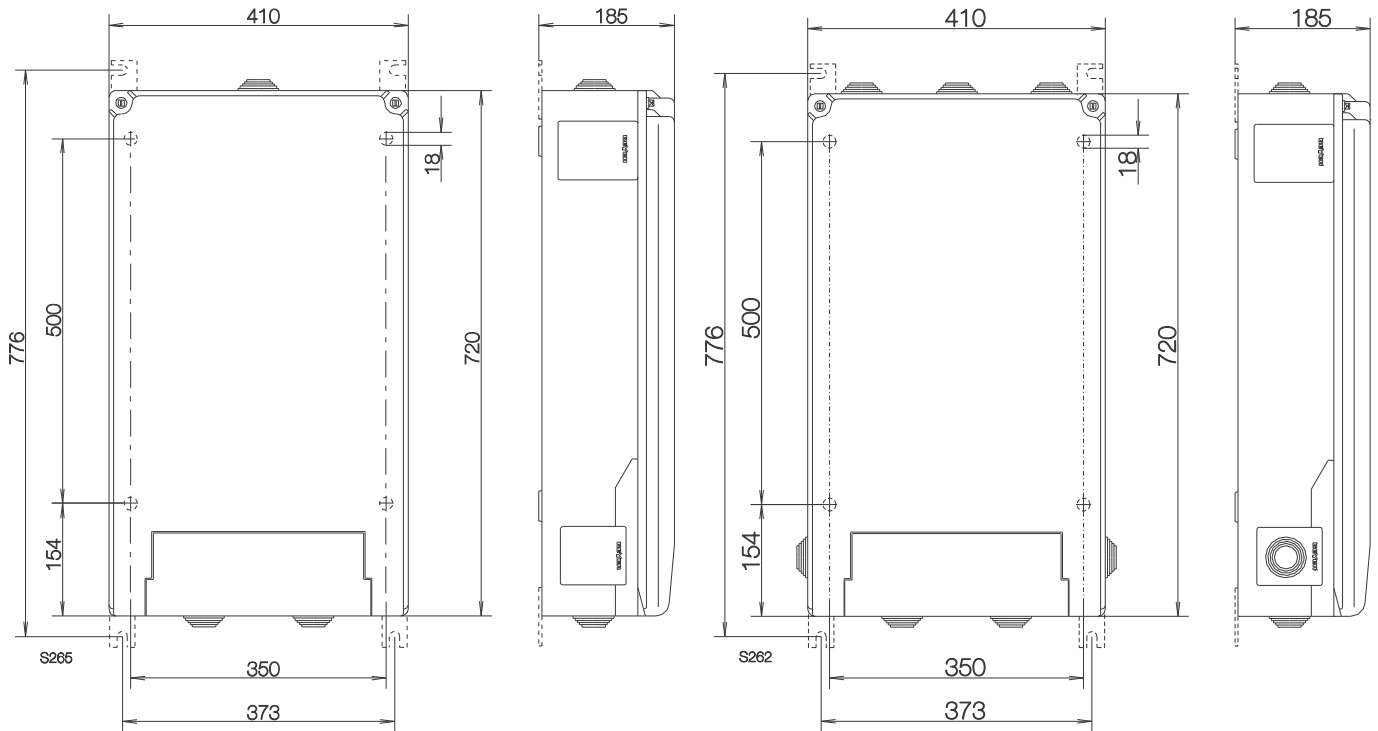
House service box, KH00, KH1 with DIN VDE 0660-505 series K12

Dimensional drawings

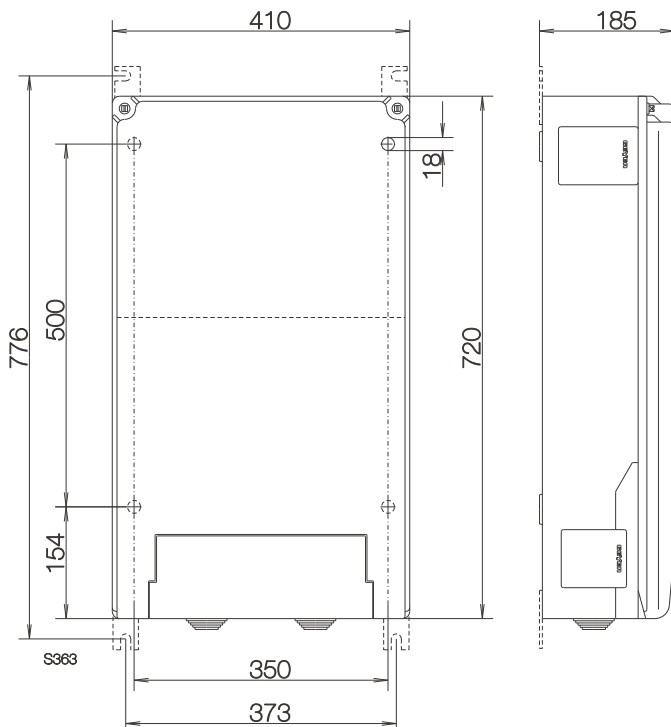
KH00, KH1, series K12

Standard type
 93412-0013, 93412-0053, 93412-0033,
 93412-0003, 93412-0043

with double breaker lugs
 93412-0083, 93412-0073



Enclosure for wall-mounting with sheet-metal rain cover, 93412-0023





Even more solutions

In addition to a wide range of distribution and house service systems, EFEN offers safety interfaces as per DIN 43627 for house service connections.

System

Complementing the range of distribution and house service systems, EFEN offers a multitude of solutions for overhead-line and junction boxes. These products optimally complement the end-to-end, safe power supply up to the consumer.

Features

Robust quality and a comprehensive range of accessories offer the optimum solution for every application.



More solutions

Flush-mounted cable house service boxes	page 438
Overhead-line house service boxes	page 439
Junction boxes	page 443
Technical data	page 444
Cross-Reference-List	page 452

Flush-mounted boxes

Particularly suited for space-restricted applications



Reliable connection

Line interface boxes of high quality



On top

Overhead-line house service boxes as per DIN 43637



Flush-mounted house service boxes Series K20 in accordance with DIN VDE 0660-505

► Technical data, 444
Dimensional drawing, page 445



93420-0100

Flush-mounted house service box WKH 00-A in accordance with DIN 43627-3

Features:

- PEN M1.1 (2 x terminals at output)
- PEN 4.1 (3 x terminals at output) available as an option

Designation	PU	Product designation	Order no.
Flush-mounted house service box WKH 00-A in accordance with DIN 43627, series K20, 100 A, inlet = 1	1	WKH00-A K20 1EF	93420-0100
Flush-mounted house service box WKH 00-A in accordance with DIN 43627, series K20, 100 A, inlet = 2, loop-through variant	1	WKH00-A K20 2EF	93420-2100

Flush-mounted house service box Series K20, accessories

Flush-mounted house service box WKH 00-A in accordance with DIN 43627-3 Accessories for flush-mounted house service boxes K20

Designation	PU	Product designation	Order no.
Polystyrene tray for thermal insulation, WKH 00-A, K20	1	Styroporwanne WKH 00-A, K20	93855-5340
Wall staples for plastering WKH00-A/K20, with screws	1	Mauerkrampenbausatz WKH00-A/K20	93815-9461
Mounting angle for cavity walls / exterior insulation using screws, wall staples, WKH 00-A, K20	1	Nachrüstsatz Hohlwandmont. WKH 00-A, K20	93855-5914
Construction site connection with M 50 thread and earth conductor, WKH 00-A, K20	1	Bauanschlussrahmen WKH 00-A K20	93855-9094

Overhead-line house service boxes FAS, FCS in accordance with DIN 43637

► Technical data, 446, 448
Dimensional drawing, page 447, 449



93424-0013

Series F14, FCS in accordance with DIN 43637

Features:

- Cable inlet: Prepared for tube mounting
- Cable output: Drop-in conduit base M50/29
- PEN M1.1: 2 x terminals at output
- Parts to be procured: Inlet kit

Designation	PU	Product designation	Order no.
Overhead-line house service box F14, 1 x cable output, Output: Steel-box flat-clamp 6 – 70 mm ² Al/Cu Input: Steel-box V-clamp 10 – 95 mm ² Al/Cu	1	FHAK14 1xAbg. 6-70mm ² /Zug. 10-95mm ²	93424-0013
Overhead-line house service box F14, 2 x cable output, Output and input: Pressure plate 10 – 50 mm ² Cu/Al	1	FHAK14 2xAbg. 10-50mm ²	93424-0023

Series F16, FCS in accordance with DIN 43637

Features:

- Cable inlet: Prepared for tube mounting
- Cable output: Drop-in conduit base M50/29
- PEN M1.1: 2 x terminals at output
- Parts to be procured: Inlet kit

Designation	PU	Product designation	Order no.
Overhead-line house service box F16, 2 x cable output, Output and input: Pressure plate 10 – 50 mm ² Cu/Al	1	FHAK16 2xAbg. 10-50mm ²	93426-0033



93427-0013

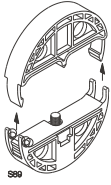
Series F17

Features:

- Cable inlet: Prepared for tube mounting
- Cable output: Drop-in conduit base M50/29
- PEN M1.1: 2 x terminals at output
- Parts to be procured: Inlet kit

Designation	PU	Product designation	Order no.
Overhead-line house service box F17, 2 x cable output, Output and input: Pressure plate 10 – 50 mm ² Cu/Al	1	FHAK17 2xAbg. 10-50mm ²	93427-0013

Overhead-line house service boxes Accessories for ribbon cable YDSA/NYDY 16/25/35 mm²



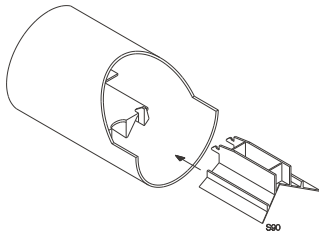
93815-6929

Spacing discs in acc. with DIN 43/637

Features:

- Sets the spacing of the conductors to the roof service mast

Designation	PU	Product designation	Order no.
Spacing disc for ribbon cable YDSA/NYDY, DIN 43637, for roof service masts with 3 1/2" tube, for conductors 4 x 16 mm ² + control line, 2-piece variant, snaps onto ribbon cable	1	FHAK-Distanzscheibe 3 1/2" 4 x 16 mm ² , YDSA/NYDY	93815-6929
Spacing disc for ribbon cable YDSA/NYDY, DIN 43637, for roof service masts with 3" tube, for conductors 4 x 16 - 35 mm ² + control line	1	FHAK-Distanzscheibe 3" 4 x 16 - 35 mm ² , YDSA/NYDY	93815-6919
Spacing discs in acc. with DIN 43637 for overhead-line house service boxes, 3 1/2" tube, conductors 4 x 16 mm ² , ribbon cable YDSA/NYDY 16/25/35 mm ²	1	FHAK-Distanzscheibe 3 1/2" 4 x 16 - 35 mm ² , YDSA/NYDY 16/25/35 mm ²	93815-6930
Spacing disc for ribbon cable YDSA/NYDY, DIN 43637, for roof service masts with 3 1/2" tube, for conductors 4 x 16 - 35 mm ² + control line	1	FHAK-Distanzscheibe 3 1/2" 4 x 16 - 35 mm ² , YDSA/NYDY	93815-6920



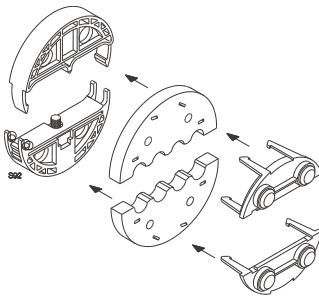
93815-6911

Diverter DSU DIN 43637

Features:

- For diverting the feed line at a specified spacing in the area of the roof service mast opening

Designation	PU	Product designation	Order no.
Diverter DSU DIN 43637 for 3" - 3 1/2" tube, ribbon cable YDSA/NYDY 16/25/35 mm ² , for conductors 4 x 16/25/35 mm ² + 2 control lines	1	Umlenkstück 3-31/2 4x16/25/35 LF	93815-6911
Diverter DSU DIN 43637 for 3" - 3 1/2" tube, ribbon cable YDSA/NYDY 16/25/35 mm ² , for conductors 4 x 16/25/35 mm ² + 2 control lines, without spacer for control lines	1	Umlenkstück 3-31/2 4x16/25/35 LF ohne Distanzstück	93815-6925



93815-6921

Insulating discs

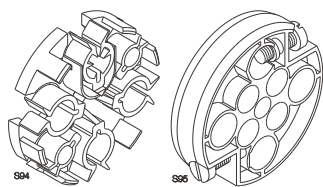
Features:

- Reduces water condensation inside the roof service mast
- Complete with spacing disc and snapped-on tube sealing kit

Designation	PU	Product designation	Order no.
Insulating disc kit for roof service mast, 3" tube, single-strand line 4 x 16 mm ²	1	FHAK-Dämmscheibe 3", 4 x 16 mm ² , Leiter	93815-6921
Insulating disc kit for roof service mast, 3 1/2" tube, conductor 4 x 35 mm ² , ribbon cable YDSA/NYDY 16/25/35 mm ²	1	FHAK-Dämmscheibe 3 1/2" 4 x 35 mm ² , YDSA/NYDY	93815-6933

Overhead-line house service boxes

Accessories for single-strand line 10 – 70 mm²



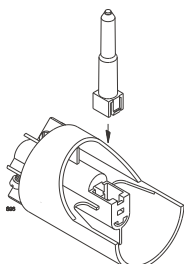
93815-6916

Spacing discs in acc. with DIN 43/637

Features:

- Ensures the correct spacing of conductors inside the roof service mast

Designation	PU	Product designation	Order no.
Spacing disc for single-strand line 10 – 70 mm ² , DIN 43637, for roof service masts with 3" tube, for conductors 16 – 35 mm ² + control line	1	FHAK-Distanzscheibe 3" 16 - 35 mm ² , Leiter	93815-6916
Spacing disc for single-strand line 10 – 70 mm ² , DIN 43637, for roof service masts with 3" tube, for conductors 10 – 50 mm ² + control line	1	FHAK-Distanzscheibe 3" 10 - 50 mm ² , Leiter	93815-6917
Spacing disc for single-strand line 10 – 70 mm ² , DIN 43637, for roof service masts with 3 1/2" tube, for conductors 16 – 35 mm ² + control line	1	FHAK-Distanzscheibe 3 1/2" 16 - 35 mm ² , Leiter	93815-6915
Spacing disc for single-strand line 10 – 70 mm ² , DIN 43637, for roof service masts with 3 1/2" tube, for conductors 10 – 50 mm ² + control line	1	FHAK-Distanzscheibe 3 1/2" 10 - 50 mm ² , Leiter	93815-6914
Spacing discs in acc. with DIN 43 637 for overhead-line house service boxes, 3 1/2" tube, conductors 4 x 16 mm ² , single-strand line 10 – 70 mm ²	1	FHAK-Distanzscheibe 3 1/2" 4 x 16 mm ² , Leiter	93815-6913



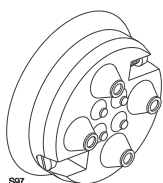
93815-6912

Diverter DSU DIN 43637

Features:

- For diverting the feed line at a specified spacing in the area of the roof service mast opening

Designation	PU	Product designation	Order no.
Diverter DSU DIN 43637 for 3" – 3 1/2" tube, single-strand line 10 – 70 mm ² , for conductor 10 – 50 mm ² , screw-type attachment (4)	1	Umlenkstück 3-3 1/2" 10-50 LE	93815-6912



93815-6924

Insulating discs

Features:

- Reduces water condensation inside the roof service mast
- Is supplied as complete insulating disc comprising spacing disc and fitted tube seal

Designation	PU	Product designation	Order no.
Insulating disc kit for roof service mast, 3" tube, single-strand line 10 – 50 mm ²	1	FHAK-Dämmscheibe 3", 10 - 50 mm ² , Leiter	93815-6924
Insulating disc kit for roof service mast, 3 1/2" tube, single-strand line 16 – 70 mm ²	1	FHAK-Dämmscheibe 3 1/2" 16 - 70 mm ² , Leiter	93815-6934

Insulating discs

Features:

- For plastic-insulated multiple-strand cables and shielded lines

Designation	PU	Product designation	Order no.
Insulating disc for single-strand line 10 – 70 mm ² , for plastic-insulated multiple-strand cables and shielded lines, 3 1/2" tube, for conductors 4 x 16 mm ² + control line	1	FHAK-Dämmscheibe 3 1/2" 4 x 16 mm ² , Kunststoff	93815-6935

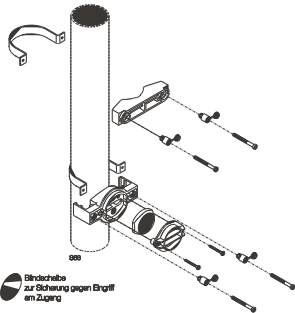
Lubricant

Features:

- Lubricating paste making it easier to feed in the insulating discs without causing damage

Designation	PU	Product designation	Order no.
Lubricating paste assisting in feeding-in insulating discs without causing damage (50 gr. tube)	1	FHAK-Spezialpaste 50 gr.	93815-0547

Overhead-line house service boxes Accessories



Blindschraube zur Sicherung gegen Eingriff am Zugang

93815-9106

Conversion kits

Features:

- For house service boxes of series K3 and K4
- Allows house service boxes to be mounted to overhead line masts
- Sealed, with spaced grommet inlet

Designation	PU	Product designation	Order no.
Conversion kit K3/K4 for overhead line – single-strand line 4 x 16 – 50 mm ²	1	HAK Freil. K3/K4 4x16-50 LE	93815-9106
Conversion kit K3/K4 for overhead line – ribbon cable 4 x 16 mm ²	1	HAK Freil. K3/K4 4x16 LF	93815-9109
Conversion kit K3/K4 for overhead line – ribbon cable 4 x 25/35 mm ²	1	HAK Freil. K3/K4 4x25/35 LF	93815-9110
Conversion kit for roof service mast mounting of house service box, open inlet	1	HAK Dachständerbefest. offene Einf.	93810-9108

Inlet kit

Features:

- For overhead-line house service boxes of series F14 if specifically prepared for this purpose and for series F16/17

Designation	PU	Product designation	Order no.
Conversion kit F14/F16/F17 for overhead line – single-strand line 4 x 16 – 50 mm ²	1	FHAK Freil. F14/F16/F17 4x16-50 LE	93815-9139
Conversion kit F14/F16/F17 for overhead line – ribbon cable 4 x 16 mm ²	1	FHAK Freil. F14/F16/F17 4x16-50 LF	93815-9145
Conversion kit F14/F16/F17 for overhead line – ribbon cable 4 x 25 mm ² / 35 mm ²	1	FHAK Freil. F14/F16/F17 4x16-50 LF	93815-9146
Conversion kit F14/F16/F17 for overhead line without spacing and seal for tube attachment	1	FHAK Freil. F14/F16/F17 ohne Distanz./Dichtung	93815-9141

Seal of line inlet for overhead-line house service boxes

Features:

- For single-strand lines 16 – 50 mm²



93815-6409

Designation	PU	Product designation	Order no.
Seal for line inlet, pressure plate, single-strand line 16 – 50 mm ²	1	FHAK-Druckplatte Flachb. 16 - 50 mm ²	93815-6409
Seal for line inlet, sealing plate, ribbon cable 16 – 35 mm ²	1	FHAK-Dichtplatte Flachb. 16 - 35 mm ²	93815-1061

Seal of line inlet for overhead-line house service boxes

Features:

- For ribbon cables 16 – 35 mm²



93815-6454

Designation	PU	Product designation	Order no.
Seal for line inlet, pressure plate, ribbon cable 16 – 35 mm ²	1	FHAK-Druckplatte Flachb. 16 - 35 mm ²	93815-6454
Sealing plate for ribbon cable 16 mm ² , for overhead-line house service box	1	FHAK-Dichtplatte Flachb. 16 mm ²	93815-1117
Sealing plate for ribbon cable 25/35 mm ² , for overhead-line house service box	1	FHAK-Dichtplatte Flachb. 25/35 mm ²	93815-1118

Clamps for roof service mast with 3 – 3 1/2" tube

Features:

- For ribbon cables 16 – 35 mm²



93815-9606

Designation	PU	Product designation	Order no.
Clamps for roof service mast with 3 – 3 1/2" tube, top part	1	Dachständerschelle 3 - 3 1/2", Obert.	93815-9606
Insulating disc kit for roof service mast, 3" tube, conductors 10 – 50 mm ²			93815-9635



93815-9635

Junction boxes

► Technical data, 450
Dimensional drawing, page 451



93430-0043

Series F4

Features:

- Dimensions (W x H x D): 180 x 160 x 100 mm
- Hinged door with drilled bolt for sealing wire
- 1 input and output: Intermediate conduit base with nipple grommet Pg21

Designation	PU	Product designation	Order no.
Junction box, line interface box F4, 1 x 3DII, 15 A, 1 x input and output, input: Terminal 4 – 10 mm ² Al/Cu, output: 2.5 – 10 mm ² Al/Cu	1	HAK F1 1x3DII Zug. 4-10/Abg. 2,5-10 ST	93430-0043



93431-0073

Series F7

Features:

- Dimensions (W x H x D): 180 x 233 x 110 mm
- Hinged door with drilled bolt for sealing wire
- 1 input and output: Drop-in conduit base Pg36/29

Designation	PU	Product designation	Order no.
Junction box, line interface box F7, 1 x 3NH00, 63 A, 1 x input and output, Input: Steel-box V-clamp 10 – 95 mm ² Al/Cu Output: Flat steel box clamp 6 – 70 mm ² Al/Cu	1	HAK F7 1x3NH00 Zug. 10-95/Abg. 6-70 ST	93431-0073



93432-0103

Series F10

Features:

- Dimensions (W x H x D): 235 x 245 x 110 mm
- Hinged door with drilled bolt for sealing wire
- 1 input and output: Intermediate flange with nipple grommet M50/29

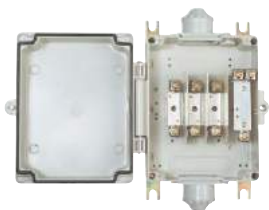
Designation	PU	Product designation	Order no.
Junction box, line interface box F10, 1 x 3NH00, 63 A, 1 x input and output, Input: Steel-box V-clamp 10 – 95 mm ² Al/Cu Output: Flat steel box clamp 6 – 70 mm ² Al/Cu	1	HAK F10 1x3NH00 Zug. 10-65/Abg. 6-70 ST	93432-0103

Series F14

Features:

- Dimensions (W x H x D): 235 x 300 x 130 mm
- Hinged door with drilled bolt for sealing wire
- 1 input and output: Drop-in conduit base M50/29

Designation	PU	Product designation	Order no.
Junction box, line interface box F14, 1 x 3 NH00, 100 A, 2 outputs, 1 x input and output, pressure plates 10 – 50 mm ² Cu/Al	1	HAK F14 1x3NH00 Zug. 10-50/Abg. 10-50 ST	93433-0143



93490-0000

Line interface boxes, protection class IP54

Features:

- Enclosure: Glass-fibre-reinforced polyester of type FS 803 in accordance with DIN 16911
- Dimensions (W x H x D): 235 x 180 x 110 mm
- Hinged door with drilled bolt for sealing wire
- Protection class IP54
- Input and output: Drop-in conduit base M50/29
- Steel-box flat-clamps 6 – 70 mm²
- 5 individual terminals (L1, L2, L3, N, PE) available as an option

Designation	PU	Product designation	Order no.
Line interface boxes IP54, standard variant	1	Leitungsübergangskasten ST	93490-0000

Flush-mounted house service box Series K20

Variant:

Degree of protection: IP54
Enclosure made of pressed polyester mass of type 833.5, with polystyrene tray for thermal insulation

Colour:

Aluminium with synthetic-resin base coat, RAL 9010 pure white

Dimensions:

(W x H x D) 408 x 488 x 170 mm

Locking mechanism:

Box lock with rain cover, prepared for lock cylinder

Input:

1 or 2 inlet grommets with membrane seal

Output:

Separately provided nipple grommets with knock-outs for top or bottom output
right/left/rear

Installation:

NH00 ceramic bases in accordance with DIN 43620

Input terminals:

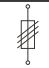
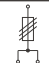
Steel-box V-clamps 10 – 95 mm² Al/Cu

Output terminals:

Steel-box flat-clamps 6 – 70 mm² Al/Cu

PEN conductor:

Terminals as with NH bases, additional terminal for POT and nipple grommet M25 (M 1.1),
additional terminal for earth conductor (M 4.1) optional

Order no.		Pre-assembled variants	Cable inlets	Input terminals mm ²	Output terminals mm ²
93420-0100		1 x 3 NH00 I _n = 100 A	1	Steel-box V-clamp 10 – 95 mm ² Al/Cu	Steel-box flat-clamp 6 – 70 mm ² Al/Cu
93420-2100		1 x 3 NH00 I _n = 100 A	2	2 x pressure plate 10 – 50 mm ² Al/Cu	Pressure plate 6 – 70 mm ² Al/Cu

Distribution systems

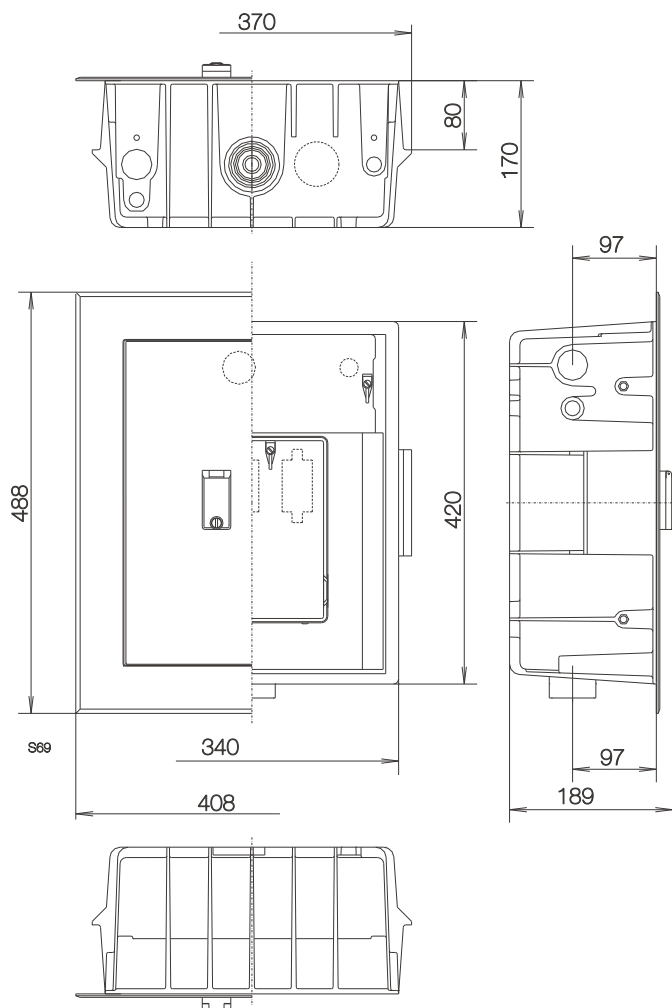
Product benefits

- Interface between public grid and consumer system
- Suitable for installation in outer walls
- Degree of protection: IP54

Flush-mounted house service box

Dimensional drawing

Series K20



Overhead-line house service boxes Series F14

Variant:

Degree of protection: IP54
Glass-fibre-reinforced polyester of type FS 803

Colour:

RAL 7035 light grey

Dimensions:

(W x H x D) 235 x 300 x 130 mm

Enclosure cover:

Glass-fibre-reinforced polyester of type FS 803

Input/mounting types:

(optional, accessory):

Tube clamp bottom parts for attachment to roof service mast, press-fitted with 2 steel top parts for 3 – 3 1/2" tubes, inlet grommet, either open and unsealed (N-type) or sealed with spacers

Output:

Drop-in conduit base, elevated base with sealing nipple optional

Installation:

NH00 ceramic bases in accordance with DIN 43620

Input terminals:

Pressure plates 10 – 50 mm² Al/Cu

Output terminals:

Pressure plates 10 – 50 mm² Al/Cu

Knock-outs:


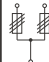
Knock-outs for M50 conduits in sidewalls at top and bottom

PEN conductor:

Terminals as with NH bases, additional terminal for POT and nipple grommet M25 (M 1.1), additional terminal for earth conductor (M 4.1) optional

Special-purpose variants:

Enclosure prepared for the installation of street lighting elements, fits one or two street lighting elements of size D0 if tube-mounted and if used for only one circuit.

Order no.		Variants including installation	Cable outlets	Input terminals mm ²	Output terminals mm ²
93424-0013		1 x 3 NH00 I _n = 100 A	1	Steel-box V-clamp 10 – 95 mm ² Al/Cu	Steel-box flat-clamp 6 – 70 mm ² Al/Cu
93424-0023		1 x 3 NH00 ΣI _n = 100 A	2	Pressure plate 10 – 50 mm ² Al/Cu	2 x pressure plate 10 – 50 mm ² Al/Cu

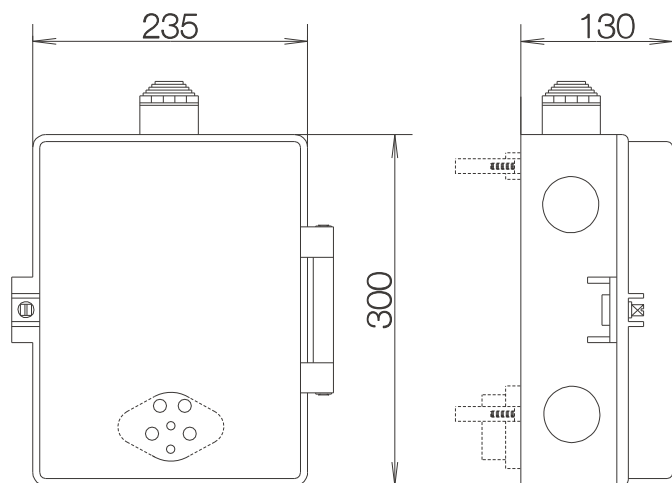
Product benefits

- Interface between public grid and consumer system
- Protection class IP54 for all series

Overhead-line house service boxes

Dimensional drawing

Series F14



Overhead-line house service boxes Series F16/17

Variant:

Degree of protection: IP54
Glass-fibre-reinforced polyester of type FS 803

Colour:

RAL 7035 light grey

Dimensions:

F16: (W x H x D) 313 x 313 x 170 mm
F17: (W x H x D) 313 x 470 x 170 mm

Enclosure cover:

Glass-fibre-reinforced polyester of type FS 803, clear cover made of polycarbonate optional

Input/mounting types:

Tube-mounting clamps of roof service masts, 3 – 3 1/2“ upper and lower part, inlet grommet included but not installed

Output:

Intermediate conduit base with nipple grommet

Installation:

NH00 bases in accordance with DIN 43620
NH2 bases in accordance with DIN 43620

Input terminals:

Pressure plates Al/Cu

Output terminals:

Pressure plates Al/Cu

Knock-outs:

Knock-outs for M50 conduits in sidewalls at top and bottom

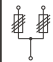
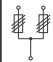
PEN conductor:

Terminals as with NH bases, additional terminal for POT and nipple grommet M25 (M 1.1), additional terminal for earth conductor (M 4.1) optional

Special-purpose variants:

Enclosure prepared for installation of street lighting elements, tube-mounting only.

Distribution systems

Order no.		Pre-assembled variants	Cable outlets	Input terminals mm ²	Output terminals mm ²
93426-0033		2 x 3 NH00 $\sum I_n = 100 \text{ A}$	2	Pressure plate 10 – 50 mm ² Al/Cu	2 x pressure plate 10 – 50 mm ² Al/Cu
93427-0013		2 x 3 NH00 $\sum I_n = 2 \times 100 \text{ A}$	2	Pressure plate 10 – 50 mm ² Al/Cu	2 x pressure plate 10 – 50 mm ² Al/Cu

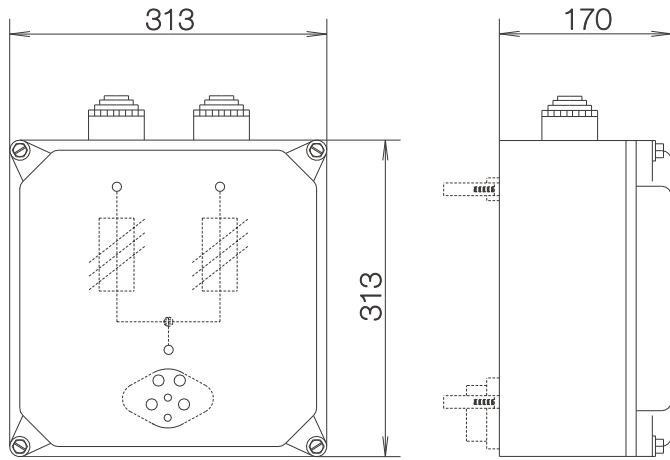
Product benefits

- Interface between public grid and consumer system
- Protection class IP54 for all series

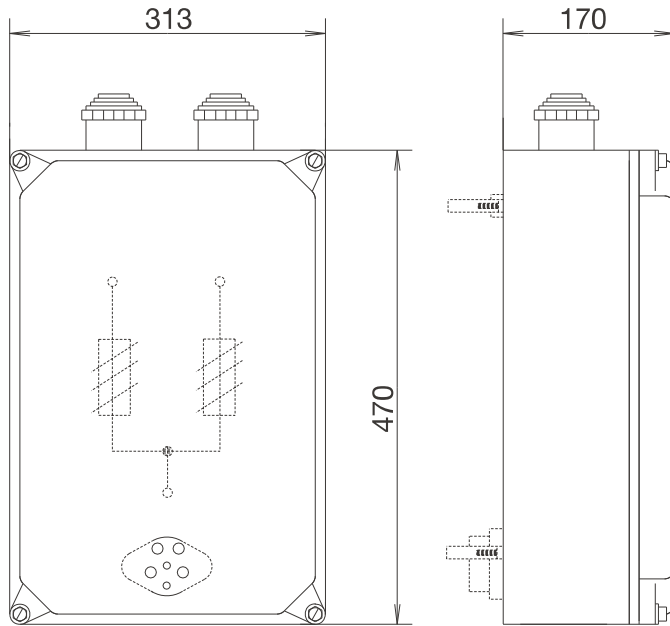
Overhead-line house service boxes

Dimensional drawings

Series F16



Series F17



Junction boxes Series F4, F7, F10, F14

Variant:

Degree of protection: IP54

Glass-fibre-reinforced polyester of type FS 803 in accordance with DIN 16911

Colour:

RAL 7035 light grey

Installation:

NH00 bases, D-elements

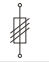
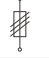
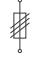
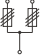
Mounting type:

4-point external mounting

Equipment:

When fitted with D-elements:

 Interior cover against contact
with plug-in DSO cover

Order no.		Pre-assembled variants	Cable inputs	Cable outlets	Input terminals mm ²	Output terminals mm ²	Terminals
93430-0043		1 x 3 DII 25 A	1	1	4 – 10 mm ²	2.5 – 10 mm ² (terminal)	PE/N terminal
93431-0073		1 x 3 NH00 I _n = 63 A	1	1	Steel-box V-clamp 10 – 95 mm ² Al/Cu	Steel-box flat-clamp 6 – 70 mm ² Al/Cu	PEN/N M1.1: 2 x terminal / nipple grommet Pg 13.5 top right
93432-0103		1 x 3 NH00 I _n = 63 A	1	1	Steel-box V-clamp 10 – 95 mm ² Al/Cu	Steel-box flat-clamp 6 – 70 mm ² Al/Cu	PE/N M1: 2 x terminal
93433-0143		1 x 3 NH00 ∑I _n = 100 A	1	2	Pressure plate 10 – 95 mm ² Al/Cu	2 x pressure plate 10 – 50 mm ² Al/Cu	PE/N M1.1: 2 x terminal / nipple grommet Pg 16 (POT)

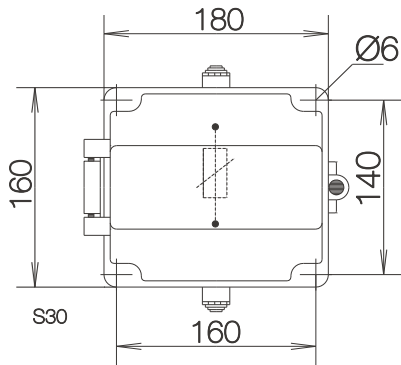
Product benefits

- Interface between public grid and consumer system
- Protection class IP54 for all series

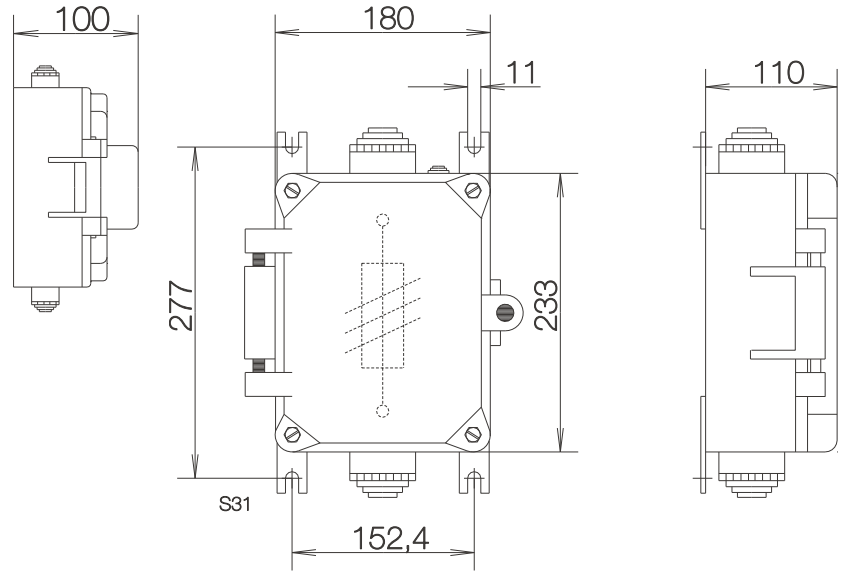
Overhead-line house service boxes

Dimensional drawings

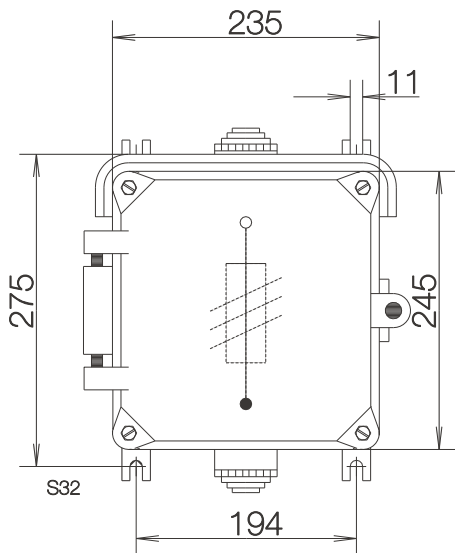
Series F4



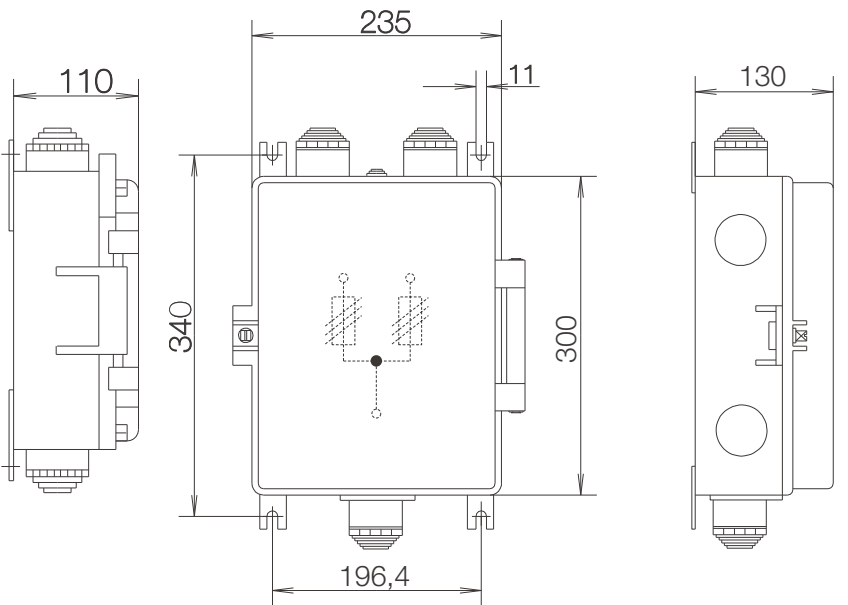
Series F7



Series F10



Series F14

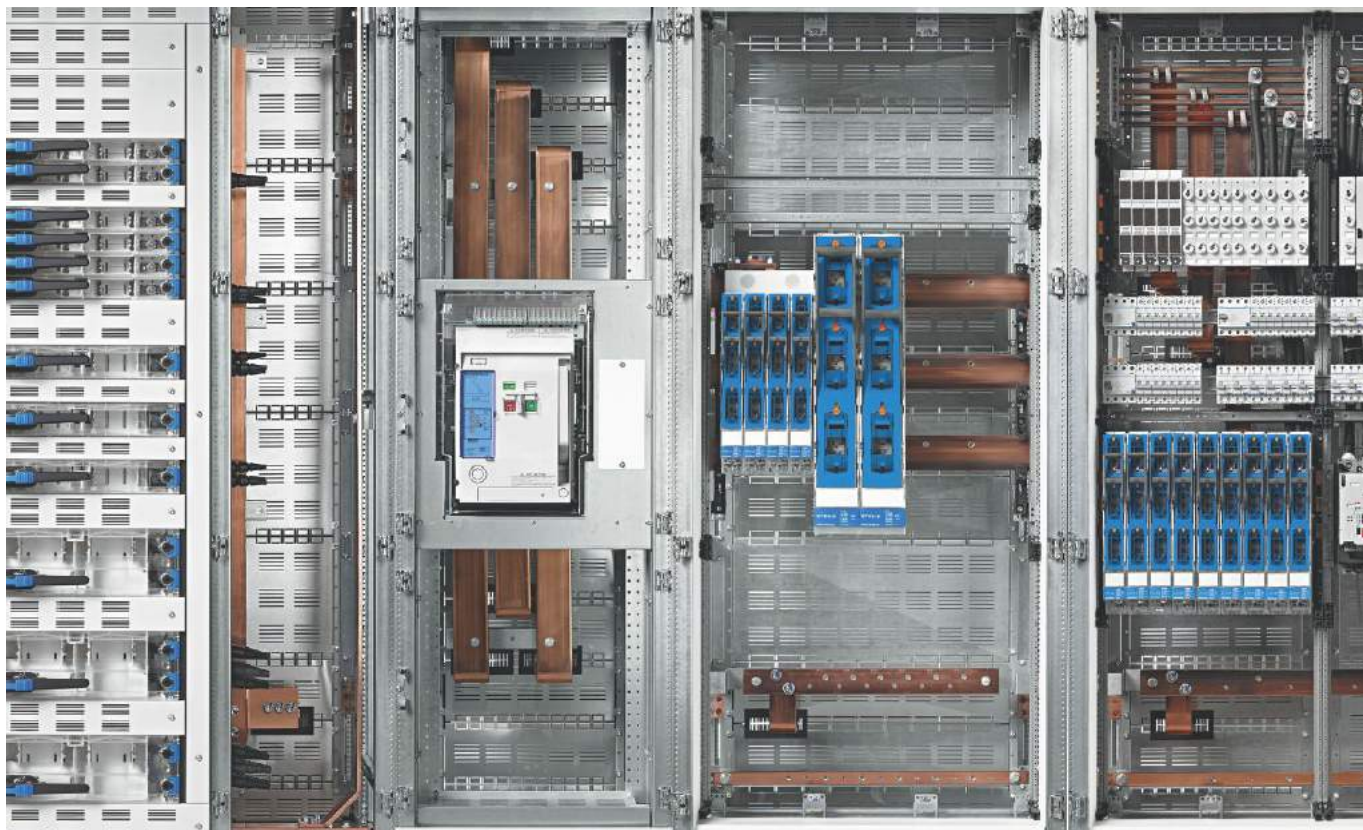


Distribution systems

Cross-reference list

Type	Order no.	Type	Order no.	Type	Order no.	Type	Order no.
1		6		S		SL135P	93251-0211
10547	93815-0547	60138	93820-0138	SF100A	93102-0332	SL135PA	93251-0511
10612500	93424-0013	64000	93810-4000	SF100B	93102-0342	SL142	93260-0010
10612600	93424-0023	69846	93820-9846	SF101A	93112-0332	SL142P	93260-0211
10612780	93426-0033			SF101B	93112-0342	SL152	93262-0010
		7		SF102A	93122-0332	SL152P	93262-0211
10613280	93427-0013	75914	93855-5914	SF102B	93122-0342	SL154	93191-0000
14430100	93420-0100	75924	93820-5924	SF135M	93251-0030	SL154P	93191-0201
14432100	93420-2100	78842	93820-8842	SH115AAA	93250-0013	SL155	93270-0010
14610700	93430-0043	79461	93815-9461	SH115AAC	93250-0113	SL155P	93270-0211
14630200	93431-0073						
		8		SH115AAE	93250-0213	SL157	93280-0010
14630400	93432-0103	86911	93815-6911	SH115BAB	93250-0313	SL157P	93280-0211
14635211	93433-0143	86912	93815-6912	SH115BAD	93250-0413	SL162	93261-0010
16113701	93412-0003	86913	93815-6913	SH115CAB	93250-0513	SL162P	93261-0211
16113763	93412-3763	86914	93815-6914	SH115CAD	93250-0613	SL172	93263-0010
16113799	93412-0023						
		86915	93815-6915	SH135AAA	93251-0013	SL172P	93263-0211
16118001	93404-0003	86916	93815-6916	SH135AAC	93251-0113	SL175	93271-0010
16118641	93404-0013	86917	93815-6917	SH135AAE	93251-0213	SL175P	93271-0211
16118642	93404-0023	86919	93815-6919	SH135BAB	93251-0313	SL177	93281-0010
16119001	93403-0053	86920	93815-6920	SH135BAD	93251-0413	SL177P	93281-0211
16119062	93403-0023						
		86921	93815-6921	SH135CAB	93251-0513	SL202	93264-0010
16123501	93412-0013	86924	93815-6924	SH135CAD	93251-0613	SL202P	93264-0211
16123701	93412-3701	86925	93815-6925	SH142AAA	93260-0013	SL205	93272-0010
16133501	93412-0033	86929	93815-6929	SH142AAB	93260-0113	SL205P	93272-0211
17113701	93412-0043	86930	93815-6930	SH142AAC	93260-0213	SL207	93282-0010
17118000	93404-0003						
		86933	93815-6933	SH142BAA	93260-0313	SL207P	93282-0211
17123501	93412-0053	86934	93815-6934	SH142CAA	93260-0413	SX004	93835-0010
17123701	93412-0053	86935	93815-6935	SH142CAB	93260-0513	SX005	93810-1010
17413701	93412-0073			SK080GA	93101-0302	SX006	93835-0110
17423501	93412-0083			SK081GA	93110-0302	SX007	93835-0210
				SK082GA	93120-0302	SX008	93835-1050
2		9		SK084GA	93100-0302	SX009	93835-0150
26123119	93490-0000	90266	93825-0266	SK100GA	93102-0302	SX010	93835-0250
		90267	93825-0267	SK101GA	93111-0302	SX011	93835-1040
3		90269	93825-0269	SK102GA	93121-0302	SX012	93835-0140
35340	93855-5340	90270	93825-0270				
		90271	93825-0271	SK142H	93260-0312	SX013	93835-0240
4		90272	93825-0272	SK152A	93262-0312	SX014	93835-1030
40000414	93810-0414	90273	93825-0273	SK155A	93270-0312	SX015	93835-0130
40000725	93810-0725	90274	93825-0274	SK157A	93280-0312	SX016	93835-0230
41061	93815-1061	90275	93825-0275	SK162H	93261-0312	SX020F	93835-1055
41117	93815-1117						
		95038	93820-5038	SK172A	93263-0312	SX021F	93835-0155
41118	93815-1118	95075	93820-5075	SK175A	93271-0312	SX022F	93835-0255
42406	93810-2406	95124	93808-0000	SK177A	93281-0312	SX030	93835-1020
44630	Auf Anfrage	95125	93808-0010	SK202A	93264-0312	SX031	93835-0120
44631	Auf Anfrage	95126	93808-0020	SK205A	93272-0312	SX032	93835-0220
45805	93810-5805						
		95127	93808-0030	SK207A	93282-0312	SX135	93835-0055
46409	93815-6409	D		SL080	93101-0000	SY15Z	93865-0150
46454	93815-6454	DE0410M	93845-0410	SL080P	93101-0201	SY16Z	93865-0160
46534	93810-6534	DE0410TB	93845-0412	SL081	93110-0000	SY17Z	93865-0170
46535	93810-6535	DE0411TA	93845-0411	SL081P	93110-0201	SY18Z	93865-0180
47900	93820-7900						
		DE0413	93845-0413	SL081V	93110-0401	SY19M	93840-0190
47901	93820-7901	DE0414	93845-0419	SL082	93120-0000	SY41TA	93850-1420
47902	93820-7902	DE0510M	93845-0510	SL082P	93120-0201	SY47433M	93840-1420
47930	93820-7930	DE0510TB	93845-0512	SL082V	93120-0401	SY47434M	93840-1620
49094	93855-9094	DE0511TA	93845-0511	SL084	93100-0000	SY47435M	93840-1750
49106	93815-9106						
		DE0513	93845-0513	SL084P	93100-0201	SY47436M	93840-2050
49108	93810-9108	DE0515	93845-0515	SL100	93102-0000	SY51T	93850-0051
49109	93815-9109	DE0520M	93845-0520	SL100P	93102-0201	SY52T	93850-1540
49110	93815-9110	DE0523	93845-0523	SL101	93112-0000	SY53T	93850-1570
49139	93815-9139	DE0525	93845-0525	SL101P	93112-0201	SY61T	93850-2020
49141	93815-9141						
		DE0610M	93845-0610	SL101V	93112-0401	SY62T	93850-2040
49145	93815-9145	DE0613TB	93845-0613	SL102	93122-0000	SY63T	93850-2070
49146	93815-9146	DE0614	93845-0614	SL102P	93122-0201	SY79267M	93840-2020
49606	93815-9606	DE0614TA	93845-0618	SL102V	93122-0401	SY79268M	93840-2070
49626	93820-9626	DE0616	93845-0616	SL115	93250-0010	SY79269M	93840-1720
49635	93815-9635						
		DE0620M	93845-0620	SL115P	93250-0211	SY79270M	93840-1770
5		DE0624	93845-0624	SL130	93103-0000	SY79271M	93840-1520
50994	93820-0994	DE0626	93845-0626	SL130P	93103-0201	SY79272M	93840-1550
51692	93810-1692	DY98570S	93820-8570	SL131	93113-0000	SY79273M	93840-1570
51693	93810-1693	DY98579S	93820-8579	SL131P	93113-0201		
52843	93810-2843						
		DY98580S	93820-8580	SL132	93123-0000		
55045	93810-5045	DY98581S	93820-8581	SL132P	93123-0201		
55517	93820-5517			SL132V	93123-0401		
55593	93820-5593			SL135	93251-0010		
55696	93820-5693			SL135A	93251-0033		





System Extensions

As a specialist for safety interfaces, EFEN offers a wide range of solutions for complex requirements to ensure safe power distribution.



Surge Arrestors

For low-voltage overhead-line grids. Metal-oxide varistors in robust and aging-resistant ceramic housings. The surge arrestors are available as isolated and unisolated versions for various mounting types and terminals.

Product overview page 457



System Accessories

A further range of system accessories for fuse-links and power distribution components offers plant designers and switchgear engineers a nearly unlimited scope of options.

Product overview page 462



Surge Arrestor

As a specialist for safety interfaces, EFEN provides surge arrestors for power distribution grids that respond to power surges within nanoseconds, thereby reliably preventing damage.

System

The low-voltage surge arrestors are equipped with metal-oxide varistors installed in robust and aging-resistant ceramic housings. The arrestors respond within nanoseconds to produce a low residual voltage, thereby offering a high degree of protection against overvoltage.

Features

The surge arrestors are available as insulated and un-insulated variants for multiple mounting types and terminals. Tripped surge arrestors are easily identified by the catch strap.



Surge Arrestors

Low-voltage surge arrestors

page 458

Technical data

page 460

Surge Arrestor
Unisolated variant



Surge Arrestor
Isolated variant



Surge Arrestor
with cable catch-strap



Low-voltage surge arrestors

► Technical data, page 460



69611-0040

Low-voltage surge arrestors

Features:

- Without catch strap – 5 kA / 10 kA

Designation	Connection	Length	In kA	Uc V	PU	Product designation	Order no.
Mounting bracket with clamp	End sleeve	650	5	280	6	ONA 280V 5KA ZNO 650 OS UH	69611-0040
Mounting bracket with clamp	CuAl sleeve	650	5	280	6	ONA 280V 5KA ZNO 650 OS UC	69613-0040
Mounting bracket with clamp	End sleeve	650	10	280	6	ONA 280V 10KA ZNO 650 OS UH	69811-0040
Mounting bracket with clamp	End sleeve	770	5	280	6	ONA 280V 5KA ZNO 770 OS UH	69611-0050
Mounting bracket with clamp	Cable lug	770	5	280	6	ONA 280V 5KA ZNO 770 OS UK	69612-0050
Mounting bracket with clamp	End sleeve	770	10	280	6	ONA 280V 10KA ZNO 770 OS UH	69811-0050
Mounting bracket with clamp	End sleeve	1000	5	280	6	ONA 280V 5KA ZNO 1000 OS UH	69611-0060
Mounting bracket with clamp	End sleeve	1000	10	280	6	ONA 280V 10KA ZNO 1000 OS UH	69811-0060
Stud terminal M8 x 25, non-insulated	Unassembled	550	5	280	6	ONA 280V 5KA ZNO 550 OB M8X25 UU	69624-0070
Stud terminal M8 x 25, non-insulated	End sleeve	650	5	280	6	ONA 280V 5KA ZNO 650 OB M8X25 UH	69621-0040
Stud terminal M8 x 25, non-insulated	End sleeve	650	10	280	6	ONA 280V 10KA ZNO 650 OB M8X25 UH	69821-0040
Stud terminal M8 x 25, insulated	End sleeve	650	5	280	6	ONA 280V 5KA ZNO 650 OB M8X25 IS UH	69641-0040
Stud terminal M8 x 25, insulated	End sleeve	770	5	280	6	ONA 280V 5KA ZNO 770 OB M8X25 IS UH	69641-0050
Stud terminal M8 x 25, insulated	End sleeve	1000	5	280	6	ONA 280V 5KA ZNO 1000 OB M8X25 IS UH	69641-0060
Stud terminal M8 x 25, insulated	End sleeve	650	10	280	6	ONA 280V 10KA ZNO 650 OB M8X25 IS UH	69841-0040
Stud terminal M8 x 25, insulated	End sleeve	650	10	500	6	ONA 500V 10KA ZNO 650 OB M8X25 IS UH	69941-0040
ONA 280V 5KA ZNO 1000 OB M8X25 UH Z1					6	ONA 280V 5KA ZNO 1000 OB M8X25 UH Z1	69621-5060
Stud terminal M8 x 25, insulated	Unassembled	1000	5	500	1	ONA 500V 5KA ZNO 1000 OB M8X25 UU Z1	69721-5160
Stud terminal M8 x 25, insulated	Unassembled	1000	5	500	6	ONA 500V 5KA ZNO 1000 OB M8X25 IS UU Z3	69741-6160
Stud terminal M8 x 25, insulated	Unassembled	1000	5	500	6	ONA 500V 5KA ZNO 1000 OB M8X25 IS UU Z4	69741-7160
Stud terminal M8 x 25, insulated	Unassembled	1000	5	500	6	ONA 500V 5KA ZNO 1000 OB M8x25IS Z6 UU	69741-8160
Stud terminal M8 x 25, insulated	Unassembled	1000	5	500	6	ONA 500V 5KA ZNO 1000 OB M8x25IS Z5 UU	69744-9060
Stud terminal M8 x 30, insulated	Unassembled	1000	5	500	6	ONA 500V 5KA ZNO 1000 OB M8x30IS Z1 UU	69764-5160



69841-0150

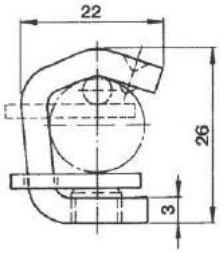
Low-voltage surge arrestors

Features:

- With catch strap – 10 kA

Designation	Connection	Length	In kA	Uc V	PU	Product designation	Order no.
Bolt M8 x 25, insulated	End sleeve	650	10	280	6	ONA 280V 10KA ZNO 650 OB M8X25 IS UH SA	69841-0150

Accessories



69500-0010

Accessories

Designation	PU	Product designation	Order no.
Universal clamp 10 – 120 mm ²	1	UNIVERSAL-HÄNGEKLEMME 1851	69500-0010
Insulated terminal M8 x 25 with internal thread	1	ISO-ANSCHLUSS 331940	69501-0010
Insulated tapping clamp 6 – 70 mm ²	1	ISO-ABZWEIGKLEMME 6-70QMM 331786	69502-0010
Insulated tapping clamp 50 – 95 mm ²	1	ISO-ABZWEIGKLEMME 50-95QMM 331530	69503-0010
Piercing clamp (1 side) Al 16 – 95 mm ²	1	DIR-PIERCING-KLEMME(1-SEITIG)AL16-95QMM	69504-0010
Piercing clamp (2 side) Al 16 – 95 mm ²	1	DIR-PIERCING-KLEMME(2-SEITIG)AL16-95QMM	69505-0010

Low-voltage surge arrestors

Function

Surge arrestors protect electrical equipment against overvoltage. Overvoltage may be caused by switching, ground or short circuits and atmospheric discharge.

In the case of overvoltage, the non-linear resistance drops so that the voltage surge is restricted.

Secondary currents are suppressed by the quickly increasing resistance.

The metal-oxide varistor has a very high resistance. It responds quickly and does not require an arching gap.

Product description

- Metal-oxide varistor embedded in ceramic insulator
- Terminal stud
- Mounting bracket with clamp made of stainless steel
- Accessories for all commonly used cables, overhead lines and power rails
- Insulated flexible copper 6-mm² connecting line is available with assembled ends or unassembled
- Yellow signal color for clear identification of tripped surge arrestors
- Plastic catch strap attached to insulating cap and connecting line prevents uncontrolled dumping of cable when arrestor is tripped

Benefits

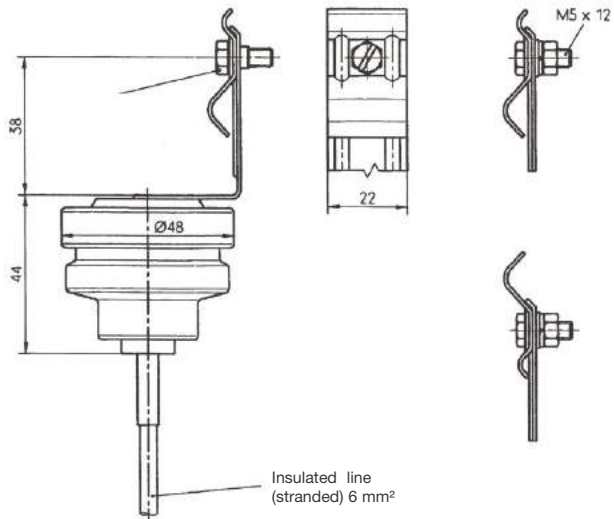
- High level of protection for electronic equipment within nanoseconds
- 10-kA variant is less sensitive due to its higher current capacity, thereby reducing service and maintenance costs
- Compact, waterproof, weather-resistant

Technical data

		ONA ZnO 5 kA 280 V	ONA ZnO 10 kA 280 V	ONA ZnO 5 kA 500 V	ONA ZnO 10 kA 500 V
Rated discharge current	I_N [kA]	5	10	5	10
Standard		IEC 61643-1 03/2005 EN 61643-11 12/2002 VDE 0675 - 6-112007-08			
Class		II/Outdoor			
Isolation device		yes	yes	yes	yes
Status indicator		yes	yes	yes	yes
Continuous voltage	U_C [V]	280	280	500	500
Maximum discharge surge current	I_{MAX} [kA]	25	25	25	25
Residual voltage without earth cable	U_{RES} [V]	851	987	1481	1642
Protection level without earth cable	U_P [kV]	0,9	1,0	1,5	1,8
Residual voltage with 1-m earth cable	U_{RES} [V]	1187	1688	1863	2353
Protection level with 1-m earth cable	U_P [kV]	1,2	1,8	2,0	2,5
Standby power consumption	P_C [mW]	56	56	106	106

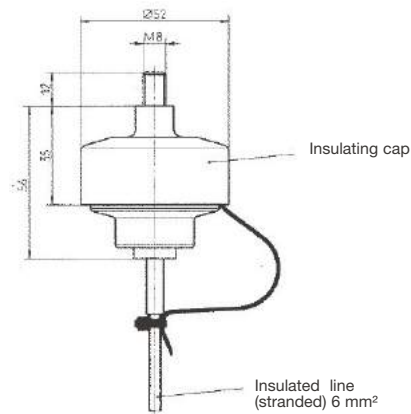
Low-voltage surge arrestors

Mounting bracket with clamp made of corrosion-resistant material

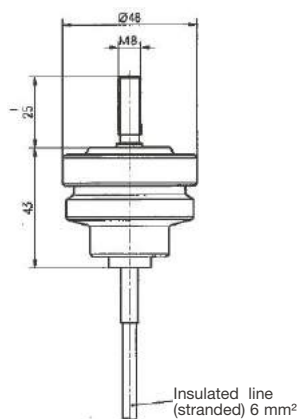


Connection with terminal stud

Insulated type with catch strap



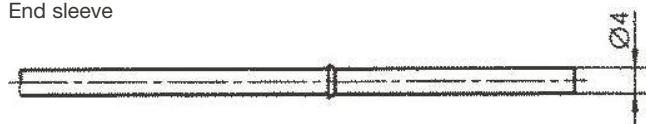
Non-insulated type



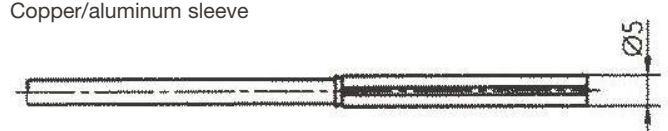
Terminal end options

Insulated flexible copper 6-mm² connecting line is available with assembled ends or unassembled

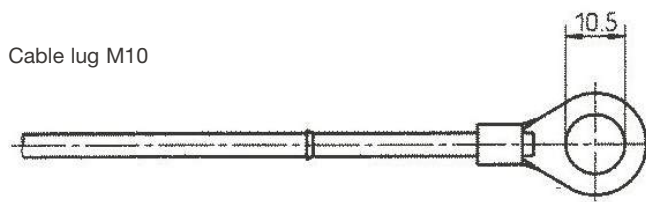
End sleeve



Copper/aluminum sleeve

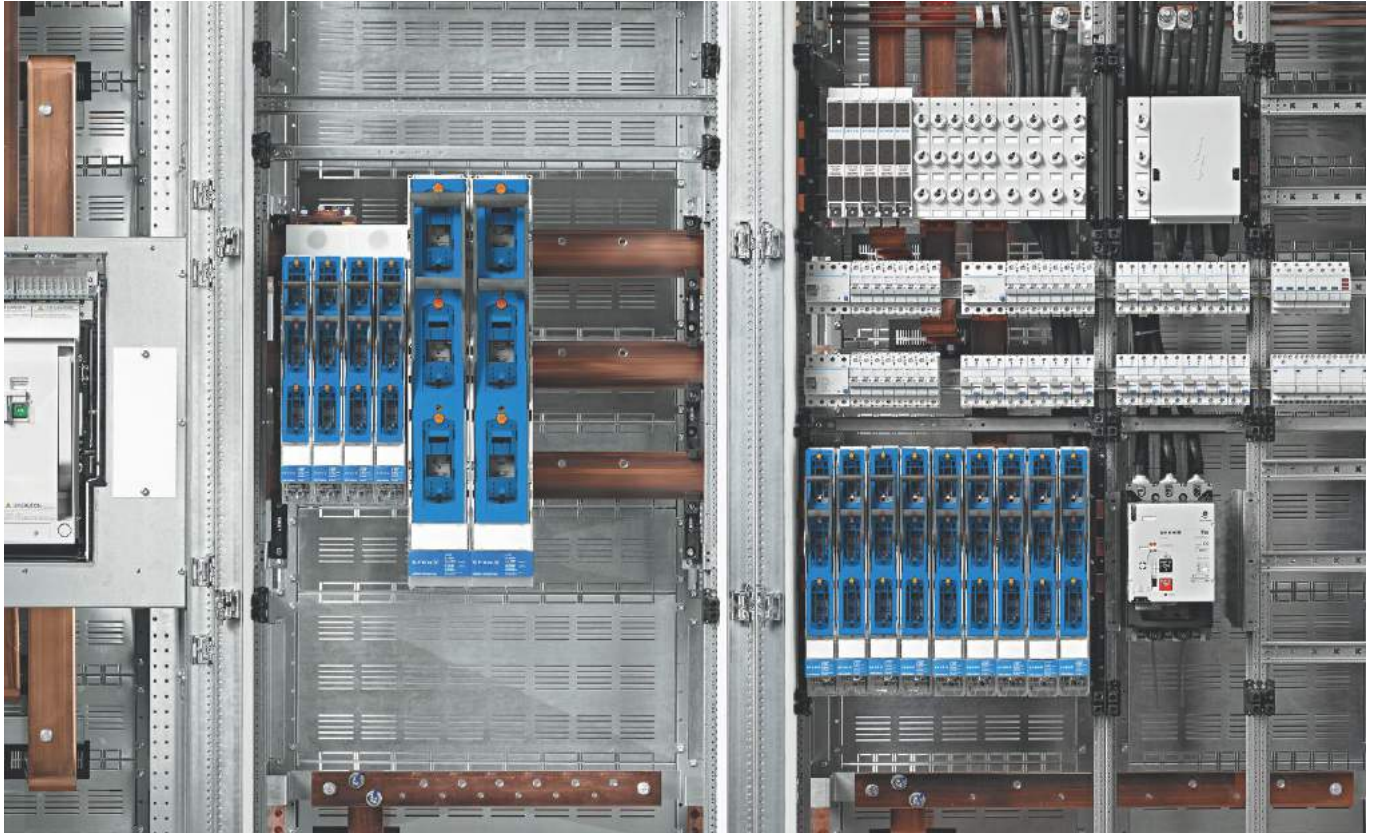


Cable lug M10



Unassembled





System Extensions for Switchgear Manufacturing

As a specialist for safety interfaces, EFEN provides a range of accessories to complement the assembly and application of safe power distribution systems.

System

The wide range of accessories for fuses and power distribution components is especially tailored to EFEN products. From solutions to satisfy rare requirements to special installation material to different fuse-monitoring options.



System Accessories

Cable clamps	page 464
Busbar support	page 464
Feeding clamps	page 464
Clinch nuts	page 464
Insulator	page 465
V-clamps	page 466
Technical data	page 467

Busbar accessories for 100, 185 and 60 mm busbar spacings



Further accessories for switchgear manufacturing



System accessories

► Technical data, page 470, 475



36116-0010

Cable clamps

Features:

- Without mounting screws

Designation	PU	Product designation	Order no.
Cable clamp for 1 cable, Ø 25 – 38 mm ²	1	KABELSCHELLE 25-38 EFEN	36116-0010
Cable clamp for 3 cable, Ø 25 – 38 mm ²	1	KABELSCHELLE 3X 25-36 MM	36116-0020



85270-0600

Busbar support

Designation	Amps	PU	Product designation	Order no.
Plug-in elements for reduction to 30 x 10 busbar (6 pieces per support)	675	24	STECKELEMENT 30X10	85223-0400
Plug-in elements for reduction to 40 x 10 busbar (6 pieces per support)	850	24	STECKELEMENT 40X10	85223-0300
Plug-in elements for reduction to 50 x 10 busbar (6 pieces per support)	1000	24	STECKELEMENT 50X10	85223-0200
Busbar system, 60 x 10 busbar	1250	4	SAMMELSCHIENENHALTER 100MM	85223-0100
Plug-in elements for reduction to 60 x 10 busbar (6 pieces per support)	1250	24	STECKELEMENT 60X10 (40X10) VE24	85331-0200
Plug-in elements for reduction to 50 x 10 busbar (6 pieces per support)	1000	24	STECKELEMENT 50X10 (30X10) VE24	85331-0300
Busbar system, 80 x 10 busbar	1600	2	SAMMELSCHIENENHALTER 185MM	85331-0100
Universal busbar support for busbar dimensions 15, 20, 25, 30 x 5, 10 mm	800	4	SAMMELSCHIENENHALTER 60MM UNIVERSAL	85270-0600
Busbar support 60 mm 3-phase		10	Sammelschienenhalter 3P	90333-0100
Bracket f. lateral protection 60 mm 3p		10	Seitenschutz Sammelsch.halter 3P	90333-0900
Extension bracket +N to 4p		10	Sammelsch.erweiterung 1P	90334-0100
Extension f. lateral extension +N to 4p		10	Seitenschutz Sammelsch.erw. 1P	90334-0900



90265-0100

Feed clamps for busbars with 5 or 10 mm thickness

Designation	PU	Product designation	Order no.
Universal conductor terminal 1.5 – 16 mm ² , for 5-mm busbars	40	Leiteranschlusskl. 1,5-16mm ² SS5	90265-0100
Universal conductor terminal 1.5 – 16 mm ² , for 10-mm busbars	40	Leiteranschlusskl. 1,5-16mm ² SS10	90266-0100
Universal conductor terminal 1.5 – 35 mm ² , for 5-mm busbars	20	Leiteranschlusskl. 1,5-35mm ² SS5	90267-0100
Universal conductor terminal 1.5 – 35 mm ² , for 10-mm busbar	20	Leiteranschlusskl. 1,5-35mm ² SS10	90268-0100
Universal conductor terminal 16 – 120 mm ² , for 5-mm busbars	10	Leiteranschlusskl. 16-120mm ² SS5	90269-0100
Universal conductor terminal 16 – 120 mm ² , for 10-mm busbars	10	Leiteranschlusskl. 16-120mm ² SS10	90270-0100
Universal conductor terminal 16 – 70 mm ² , for 5-mm busbars	10	Leiteranschlusskl. 16-70mm ² SS5	90318-0100
Universal conductor terminal 16 – 70 mm ² , for 10-mm busbars	10	Leiteranschlusskl. 16-70mm ² SS10	90319-0100
Universal conductor terminal 16 – 185 mm ² , for 5-mm busbars	10	Leiteranschlusskl. 16-185mm ² SS5	90328-0100
Universal conductor terminal 16 – 185 mm ² , for 10-mm busbars	10	Leiteranschlusskl. 16-185mm ² SS10	90329-0100
Feed clamp IP2X, V2MD 240sm/300rm	3	Einspeiseklemme IP2X V2MD 240sm/300rm	36846-0040



85195-0100

Clinch nuts

Designation	PU	Product designation	Order no.
M6	1	SETZMUTTER M6	85195-0100
M8	1	SETZMUTTER M8	85133-0100
M10	1	SETZMUTTER M10	85130-0100
M12	1	Setzmutter M12	85131-0100
M16	1	SETZMUTTER M16	85402-0100

System accessories

► Technical data, page 473



36072-0700

Insulator

Features:

- Internally threaded

Designation	PU	Product designation	Order no.
Insulator H35 SW32 M10/M10	12	ISOLATOR H35 SW32 M10/M10	36072-0010
Insulator H35 SW32 M8/M8	1	ISOLATOR H35 SW32 M8/M8	36072-0020
Insulator H35 SW32 M6/M6	1	ISOLATOR H35 SW32 M6/M6	36072-0030
Insulator H30 SW30 M8/M8	1	ISOLATOR H30 SW30 M8/M8	36072-0110
Insulator H30 SW30 M6/M6	1	ISOLATOR H30 SW30 M6/M6	36072-0120
Insulator H30 SW30 M10/M10	1	ISOLATOR H30 SW30 M10/M10	36072-0130
Insulator H40 SW36 M6/M6	1	ISOLATOR H40 SW36 M6/M6	36072-0200
Insulator H40 SW36 M8/M8	1	ISOLATOR H40 SW36 M8/M8	36072-0210
Insulator H40 SW36 M10/M10	1	ISOLATOR H40 SW36 M10/M10	36072-0220
Insulator H45 SW46 M6/M6	1	ISOLATOR H45 SW46 M6/M6	36072-0300
Insulator H45 SW46 M8/M8	1	ISOLATOR H45 SW46 M8/M8	36072-0310
Insulator H45 SW46 M10/M10	1	ISOLATOR H45 SW46 M10/M10	36072-0320
Insulator H50 SW50 M6/M6	1	ISOLATOR H50 SW50 M6/M6	36072-0400
Insulator H50 SW50 M10/M10	1	ISOLATOR H50 SW50 M10/M10	36072-0410
Insulator H50 SW50 M12/M12	1	ISOLATOR H50 SW50 M12/M12	36072-0420
Insulator H50 SW50 M8/M8	1	ISOLATOR H50 SW50 M8/M8	36072-0430
Insulator H60 SW50 M6/M6	1	ISOLATOR H60 SW50 M6/M6	36072-0500
Insulator H60 SW50 M10/M10	1	ISOLATOR H60 SW50 M10/M10	36072-0510
Insulator H60 SW50 M12/M12	1	ISOLATOR H60 SW50 M12/M12	36072-0520
Insulator H60 SW50 M8/M8	1	ISOLATOR H60 SW50 M8/M8	36072-0530
Insulator H60 SW50 M16/M16	1	ISOLATOR H60 SW50 M16/M16	36072-0540
Insulator H70 SW60 M10/M10	1	ISOLATOR H70 SW60 M10/M10	36072-0610
Insulator H70 SW60 M12/M12	1	ISOLATOR H70 SW60 M12/M12	36072-0620
Insulator H70 SW60 M8/M8	1	ISOLATOR H70 SW60 M8/M8	36072-0630
Insulator H70 SW60 M16/16	1	ISOLATOR H70 SW60 M16/16	36072-0640
Insulator H25 SW36 M6/M6	1	ISOLATOR H25 SW36 M6/M6	36072-0700
Insulator H25 SW36 M8/M8	1	ISOLATOR H25 SW36 M8/M8	36072-0710



36079-0020

Insulator

Features:

- With stud

Designation	PU	Product designation	Order no.
Insulator HST25 SW36 M8/M8-10	1	ISOLATOR HST25 SW36 M8/M8	36079-0020
Insulator HST30 SW30 M6/M6	1	ISOLATOR HST30 SW30 M6/M6	36079-0100
Insulator HST30 SW30 M8/M8	1	ISOLATOR HST30 SW30 M8/M8	36079-0110
Insulator HST30 SW30 M10/M10	1	ISOLATOR HST30 SW30 M10/M10	36079-0120
Insulator HST50 SW50 M8/M8	1	ISOLATOR HST50 SW50 M8/M8	36079-0210
Insulator HST50 SW50 M10/M10	1	ISOLATOR HST50 SW50 M10/M10	36079-0220
Insulator HST50 SW50 M12/M12	1	ISOLATOR HST50 SW50 M12/M12	36079-0240
Insulator HST35 SW32 M6/M6	1	ISOLATOR HST35 SW32 M6/M6	36079-0300
Insulator HST35 SW32 M8/M8	1	ISOLATOR HST35 SW32 M8/M8	36079-0310
Insulator HST35 SW32 M10/M10	1	ISOLATOR HST35 SW32 M10/M10	36079-0320
Insulator HST40 SW36 M8/M8	1	ISOLATOR HST40 SW36 M8/M8	36079-0400
Insulator HST40 SW36 M10/M10	1	ISOLATOR HST40 SW36 M10/M10	36079-0410
Insulator HST40 SW36 M6/M6	1	ISOLATOR HST40 SW36 M6/M6	36079-0420
Insulator HST45 SW46 M6/M6	1	ISOLATOR HST45 SW46 M6/M6	36079-0500
Insulator HST45 SW46 M8/M8	1	ISOLATOR HST45 SW46 M8/M8	36079-0510
Insulator HST45 SW46 M10/M10	1	ISOLATOR HST45 SW46 M10/M10	36079-0520
Insulator HST60 SW50 M8/M8	1	ISOLATOR HST60 SW50 M8/M8	36079-0610
Insulator HST60 SW50 M10/M10	1	ISOLATOR HST60 SW50 M10/M10	36079-0620
Insulator HST60 SW50 M12/M12	1	ISOLATOR HST60 SW50 M12/M12	36079-0630
Insulator HST70 SW60 M8/M8	1	ISOLATOR HST70 SW60 M8/M8	36079-0710
Insulator HST70 SW60 M10/M10	1	ISOLATOR HST70 SW60 M10/M10	36079-0720
Insulator HST70 SW60 M12/M12	1	ISOLATOR HST70 SW60 M12/M12	36079-0740

System accessories

► Technical data, page 467



36138-0010

Terminal clamps for direct connection to NH fuse-switches and NH fuse-rails

Designation	Size	Amps	PU	Product designation	Order no.
Steel-box V-clamp	00		1	1 Satz Klemmen VST 00 Vk7 6re/rm-95sm/rm	36749-0020
PEN lug	00		1	PEN-Anschluss m. Klemme 6re/rm-95sm/rm	36768-0010
MP double-clamp	00		1	MP-Doppelanschlussch. m. Klemmen 6-95	36769-0010
MP clamp unit V2N	1 - 3		1	MP-ANSCHLUSSEINHEIT V2N 240 SM	36138-0020
V2N aluminum forged clamp	1 - 3		1	1 Satz Klemme V2N 300 rm/sm (3St.)	36148-0020
Steel-box V-clamp	1 - 3		1	Klemme E ³ VST 2x95-185sm 1SATZ (3ST)	36754-0010
Steel-box V-clamp	1 - 3		1	1 Satz Klemme VSTR 25-240 rm	36723-0010
Steel-box V-clamp, fixed upper part	1 - 3		1	Klemme E ³ VST 35-240rm 1Satz (3St)	36353-0010
Steel-box V-clamp, removable upper part	1 - 3		1	Klemme E ³ VEST 35-240rm 1Satz (3St)	36351-0010
V2-MD clamp	1 - 3		1	1 Satz Klemmen V2 MD 240sm/300rm	36298-0010
V2-MD clamp with lug	1 - 3		1	PEN-Anschluss m. Klemme V2MD 240sm/300rm	36299-0010
Claw clamp M12	1 - 3		1	ANSCHLUSSKLEMMEN 50-150 SE FÜR S6 1 SATZ	36063-0010
Bow-type flat-terminal clamp	1 - 3		1	1 SATZ BÜGEL-FLACH-DIREKT-ANSCHLUSSK.	36070-0010
Feed clamp IP2X with V2-MD clamp for copper busbars 5 – 12 mm	1 - 3		1	Einspeiseklemme IP2X V2MD 240sm/300rm	36846-0040
V2-MD insulating cap for clamp cover	1 - 3		1	ISOLIERKAPPE V2 MD	31607-0100
V2N insulating cap for clamp cover	1 - 3		1	ISOLIERKAPPE V2N „lange Variante“	31516-0100

Maintenance accessories

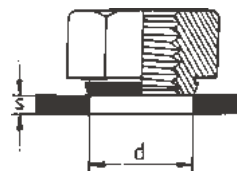
Designation	PU	Product designation	Order no.
Earthing cover E ³ size 1-3 3P AU with cable	1	Erdungsdeckel E ³ Gr.1-3 3P AU mit Kabel	36743-0010

System accessories

Clinch nuts

Busbars are fitted with clinch nuts to allow the direct attachment of NH devices.

Designation	Internal thread	d (mm)	s (mm)	PU	Order no.
Clinch nut	M6	8,0	1	1	85195-0100
Clinch nut	M8	10,0	2	1	85133-0100
Clinch nut	M10	12,5	2	1	85130-0100
Clinch nut	M12	14,5	3	1	85131-0100
Clinch nut	M16	18,5	3	1	85402-0100

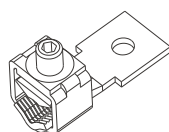


Terminal clamps for NH fuse-switches

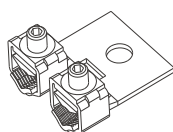
Designation	Size	Cross-section	Torque	PU	Order no.
Steel-box V-clamp	00	6 - 95 mm ² re 6 - 95 mm ² rm 6 - 95 mm ² sm 6 - 95 mm ² se	15 Nm	1	36749-0020
PEN lug	00	6 - 95 mm ² re 6 - 95 mm ² rm 6 - 95 mm ² sm 6 - 95 mm ² se	15 Nm	1	36768-0010
MP double-clamp	00	6 - 95 mm ² re 6 - 95 mm ² rm 6 - 95 mm ² sm 6 - 95 mm ² se	15 Nm	1	36769-0010
MP clamp unit V2N	1 - 3	25 - 300 mm ² rm 25 - 300 mm ² re 25 - 300 mm ² sm 25 - 300 mm ² se	35 Nm	1	36138-0020
V2N aluminum forged clamp	1 - 3	25 - 300 mm ² rm 25 - 300 mm ² re 25 - 300 mm ² sm 25 - 300 mm ² se	35 Nm	1	36148-0020
Steel-box V-clamp	1 - 3	2 x 70 - 150 mm ² rm 2 x 70 - 150 mm ² re 2 x 95 - 185 mm ² sm 2 x 95 - 240 mm ² se	40 Nm	1	36754-0010
Steel-box V-clamp	1 - 3	25 - 185 mm ² rm 25 - 95 mm ² re 50 - 240 mm ² sm 50 - 240 mm ² se	35 Nm	1	36723-0010
Steel-box V-clamp, fixed upper part	1 - 3	35 - 240 mm ² rm 35 - 300 mm ² re 50 - 240 mm ² sm 50 - 300 mm ² se	25 Nm	1	36353-0010
Steel-box V-clamp, removable upper part	1 - 3	35 - 240 mm ² rm 35 - 300 mm ² re 50 - 240 mm ² sm 50 - 300 mm ² se	25 Nm	1	36351-0010
V2-MD clamp	1 - 3	25 - 300 mm ² rm 25 - 300 mm ² re 35 - 240 mm ² sm 25 - 300 mm ² se	30 Nm	1	36298-0010
V2-MD clamp with lug	1 - 3	25 - 300 mm ² rm 25 - 300 mm ² re 35 - 240 mm ² sm 25 - 300 mm ² se	30 Nm	1	36299-0010
Claw clamp M12	1 - 3	50 - 150 mm ² se 35 - 70 mm ² rm 35 - 70 mm ² re	32 Nm	1	36063-0010
Bow-type flat-terminal clamp	1 - 3	35 - 185 mm ² rm 35 - 150 mm ² se 35 - 150 mm ² sm	25 Nm	1	36070-0010
Feed clamp IP2X with V2-MD clamp for copper busbars 5 - 12 mm	1 - 3	35 - 300 mm ² rm 35 - 300 mm ² re 35 - 240 mm ² sm 35 - 300 mm ² se	35 Nm for clamping connection 20 Nm for busbar mounting	1	36846-0040
V2-MD insulating cap for clamp cover	1 - 3			1	31607-0100
V2N insulating cap for clamp cover	1 - 3			1	31516-0100



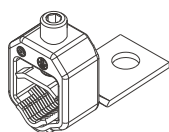
36749-0020



36768-0010



36769-0010



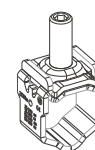
36138-0020



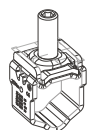
36148-0020



36754-0010



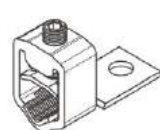
36353-0010



36351-0010



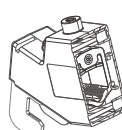
36298-0010



36299-0010



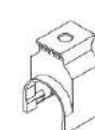
36063-0010



36846-0040



31607-0100



31516-0100

System accessories

Universal conductor terminal clamps

Description	Amps	Designation	PU	Order no.
Universal conductor terminal clamp 1.5 – 15 mm ² for 5 mm busbars	180	LEITERANSCHLUSSKL. 1,5-16 MM ² SS5	40	90265-0100
Universal conductor terminal clamp 1.5 – 15 mm ² for 10 mm busbars	180	LEITERANSCHLUSSKL. 1,5-16 MM ² SS10	40	90266-0100
Universal conductor terminal clamp 4 – 35 mm ² for 5 mm busbars	270	LEITERANSCHLUSSKL. 1,5-35 MM ² SS5	20	90267-0100
Universal conductor terminal clamp 4 – 35 mm ² for 10 mm busbars	270	LEITERANSCHLUSSKL. 1,5-35 MM ² SS10	20	90268-0100
Universal conductor terminal clamp 16 – 120 mm ² for 5 mm busbars	440	LEITERANSCHLUSSKL. 16-120 MM ² SS5	10	90269-0100
Universal conductor terminal clamp 16 – 120 mm ² for 10 mm busbars	440	LEITERANSCHLUSSKL. 16-120 MM ² SS10	10	90270-0100
Universal conductor terminal clamp 16 – 70 mm ² for 5 mm busbars	400	LEITERANSCHLUSSKL. 16-70 MM ² SS5	10	90318-0100
Universal conductor terminal clamp 16 – 70 mm ² for 10 mm busbars	400	LEITERANSCHLUSSKL. 16-70 MM ² SS10	10	90319-0100
Universal conductor terminal clamp 16 – 185 mm ² for 5 mm busbars	500	LEITERANSCHLUSSKL. 16-185 MM ² SS5	10	90328-0100
Universal conductor terminal clamp 16 – 185 mm ² for 10 mm busbars	500	LEITERANSCHLUSSKL. 16-185 MM ² SS10	10	90329-0100

System accessories

Feeding devices

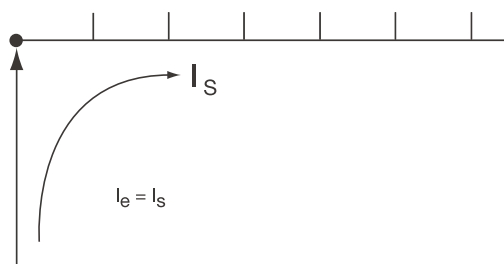
Description	Designation	PU	Weight in kg	Order no.
Feeding device for 2 devices, narrow variant	Einspeisekamm 2X SILAS NH000	4	0,245	90276-0100
Feeding device for 3 devices, narrow variant	Einspeisekamm 3X SILAS NH000	4	0,345	90276-0200
Feeding device for 4 devices, narrow variant	Einspeisekamm 4X SILAS NH000	4	0,433	90276-0300
Feeding device for 5 devices, narrow variant	Einspeisekamm 5X SILAS NH000	4	0,525	90276-0400
Feeding clamp 25 – 95 mm ² rm/sm, narrow variant	Einspeiseklemme 25-95mm ² RM/SM LANH000	3	0,096	90277-0100
Feeding device for 2 devices	Einspeisekamm 2X SILAS/IN NH00	4	0,384	90280-0100
Feeding device for 3 devices	Einspeisekamm 3X SILAS/IN NH00	4	0,450	90280-0200
Feeding device for 4 devices	Einspeisekamm 4X SILAS/IN NH00	4	0,500	90280-0300
Feeding device for 5 devices	Einspeisekamm 5X SILAS/IN NH00	4	0,550	90280-0400

Technical data acc. to DIN EN 60947-1 VDE 0660 T100 / IEC 60947-1:2004

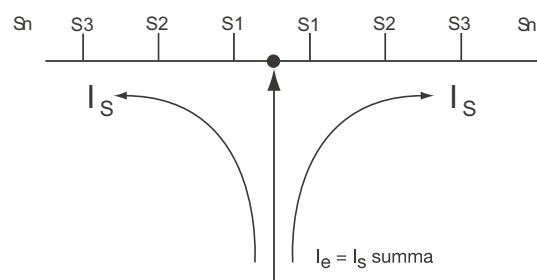
Description		
Materials	Busbar	E – Cu 58 F25
	Insulation	PC/ABS extruded – light gray RAL 7035
	End cap	PC/ABS injection-molded – light gray RAL 7035
	Terminal cover	PA66 V0 injection-molded – light gray RAL 7035
Temperature resistance	PC/ABS extruded	VST B 120 – ISO 306 = 113°C-UL94-VO/1,5
	PC/ABS injection-molded	VST B 120 – ISO 306 = 138°C – UL94-V01,6
Insulation coordination	Overvoltage category III / pollution degree 2	
Electric strength	PC / ABS	> 32 kV / mm
Impulse-withstand voltage	=> 6,0kV (1kV/mmLS)	
Minimum air gap	> 8 mm	
Minimum creepage distance	> 8,5 mm	
Maximum operating voltage	690 V AC / 440 V DC	
Rated operating voltage	415 V	
Short-circuit resistance	12,5 kA – 100 ms / 400 V	

Resistance at 35 °C ambient temperature and depending on feed point

Busbar block length (m)	Max. 1	Max. 0.3
Busbar cross-section	35 mm ²	35 mm ²
Feed connected at busbar start or end	125 A	200 A
Maximum Busbar current I _S /phase	35 mm ²	2x35 mm ²
Connecting cross-section		
Feed connected at any other position		
Maximum Busbar current I _S /phase	160 A	260 A
Connecting cross-section	2x35 mm ²	95 mm ²
Feed device for size 000	-	2 - 5
Feed device for size 00	4 – 5 fach	2 - 3



Feed connected at busbar start or end



Feed connected at any other position

Note: If the feed is connected at the center of the busbar, the total outgoing current S1 ... S_n of each busbar branch must not exceed the maximum busbar current I_S/phase stated above.

System accessories

Busbar support

Busbar supports are available for the following busbar center spacings:

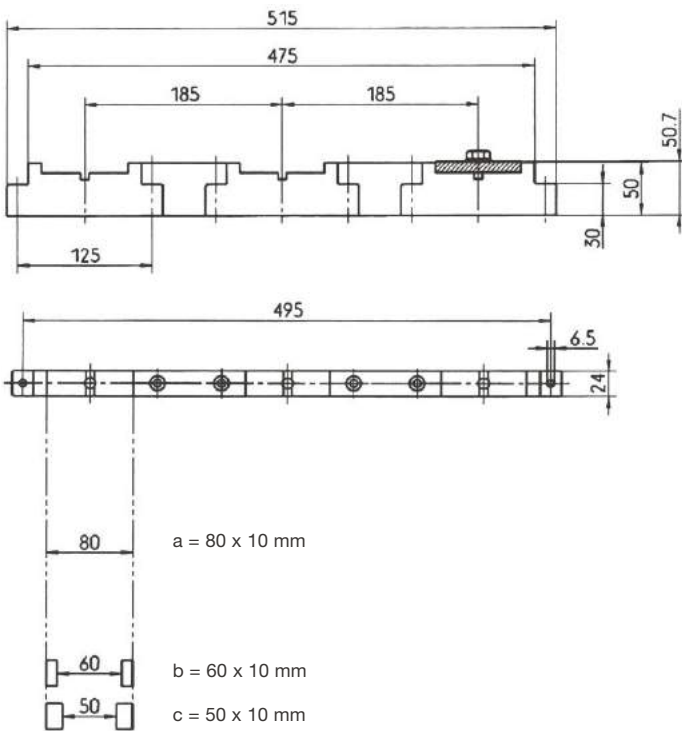
Center spacing 185 mm for currents up to 1600 A

Center spacing 100 mm for currents up to 1250 A

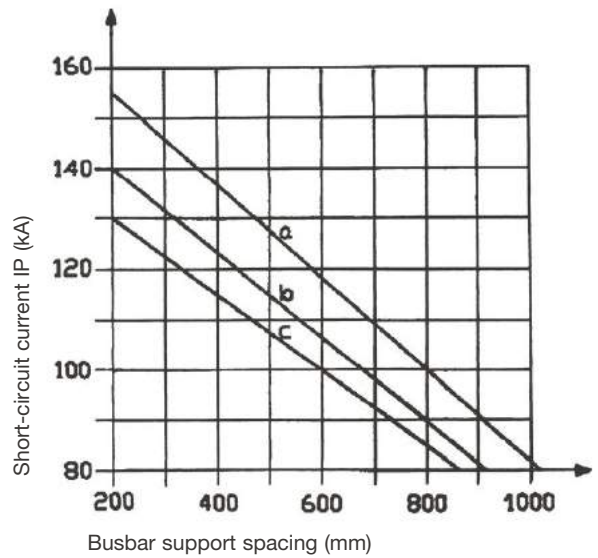
Center spacing 60 mm for currents up to 800 A

Busbar support, 1600 A; Center spacing 185 mm

Designation	Busbar dimensions	Number per busbar	Amps	PU	Order no.
Busbar support 185 mm	80 x 10 mm	-	1600	2	85331-0100
Plug-in elements	60 x 10 mm	6	1250	24	85331-0200
Plug-in elements	50 x 10 mm	6	1000	24	85331-0300



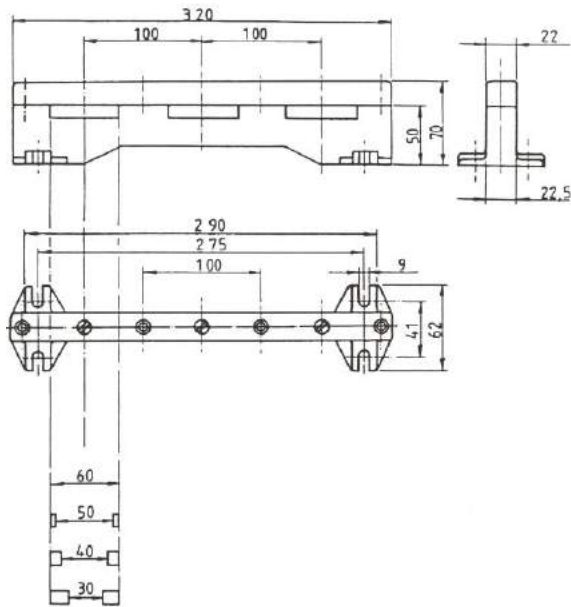
Short-circuit resistance diagram (185 mm)



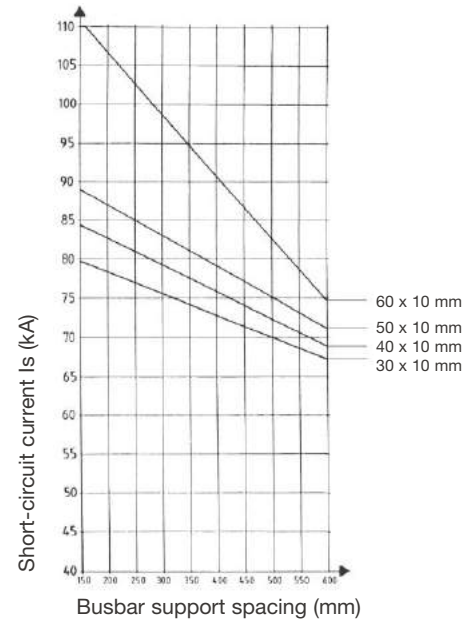
System accessories

Busbar support, 1250 A; Center spacing 100 mm

Designation	Busbar dimensions	Number per busbar	Amps	PU	Order no.
Busbar support 100 mm	60 x 10 mm	-	1250	4	85223-0100
Plug-in elements	50 x 10 mm	6	1250	24	85223-0200
Plug-in elements	40 x 10 mm	6	850	24	85223-0300
Plug-in elements	30 x 10 mm	6	675	24	85223-0400



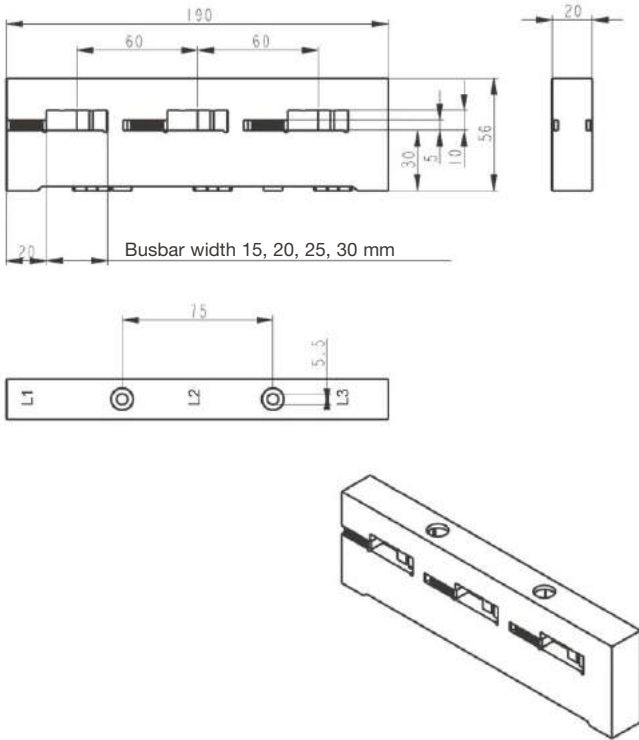
Short-circuit resistance diagram (100 mm)



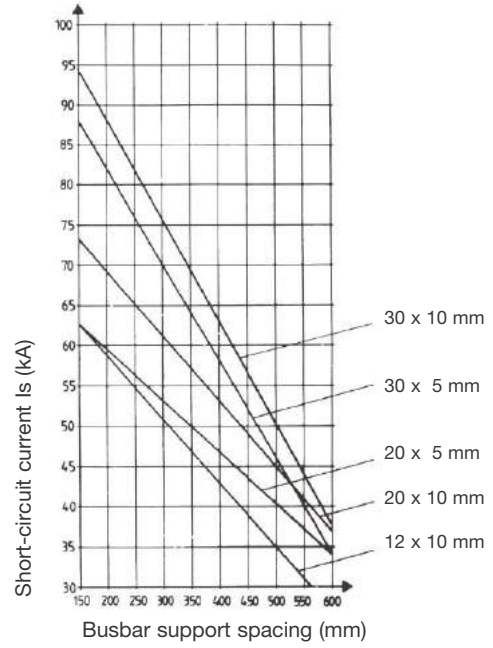
System accessories

Busbar support, 800 A; Center spacing 60 mm

Designation	Busbar dimensions	Number per busbar	Amps	PU	Order no.
Busbar support, 60 mm	15, 20, 25, 30 mm	-	800	4	85270-0600



Short-circuit resistance diagram (60 mm)



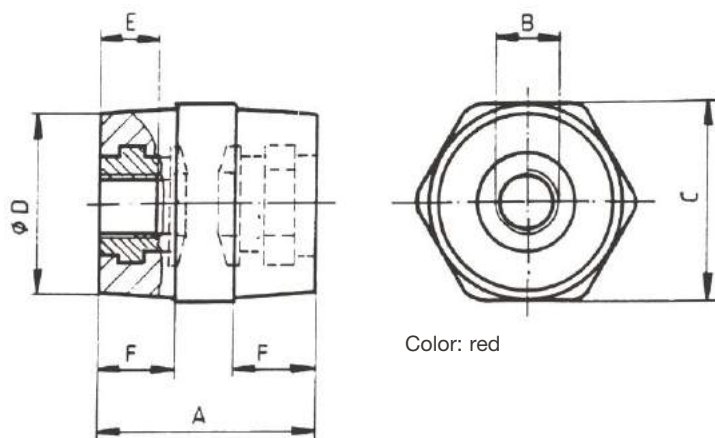
System accessories

Isolators

Material: Thermosetting unsaturated polyester, red color
 Heat-resistant according to ISO 75/A > 200 °C
 Threaded steel bushing, galvanized
 Self-extinguishing according to UL94-V0, halogen-free

Designation	A	B	C	Ø D	E	F	Rated operating voltage kV	Power-frequency withstand-voltage kV	Leakage resistance	Flexural resistance kN	Tensile resistance kN	Torsional resistance Nm	PU	Order no.
H25 SW36 M6/M6	25	M6	SW36	30	6	10	1,0	7,5	•	4,0	6,0	15	1	36072-0700
H25 SW36 M8/M8	25	M8	SW36	30	8	10	1,0	7,5	•	6,4	9,5	24,5	1	36072-0710
H30 SW30 M6/M6	30	M6	SW30	26	6	12	1,0	7,5	•	4,0	6,0	15	1	36072-0120
H30 SW30 M8/M8	30	M8	SW30	26	8	12	1,0	7,5	•	6,4	9,5	24,5	1	36072-0110
H30 SW30 M10/M10	30	M10	SW30	26	10	12	1,0	7,5	•	6,4	9,5	30	1	36072-0130
H35 SW32 M6/M6	35	M6	SW32	29,8	8	13	1,0	23	•	4,5	6,0	15	1	36072-0030
H35 SW32 M8/M8	35	M8	SW32	29,8	10	13	1,0	23	•	6,9	10,0	50	1	36072-0020
H35 SW32 M10/M10	35	M10	SW32	29,8	12	13	1,0	23	•	8,0	11,0	80	1	36072-0010
H40 SW36 M6/M6	40	M6	SW36	32	8	15	1,5	20	•	4,5	6,0	15	1	36072-0200
H40 SW36 M8/M8	40	M8	SW36	32	10	15	1,5	20	•	8,5	11,0	50	1	36072-0210
H40 SW36 M10/M10	40	M10	SW36	32	12	15	1,5	20	•	9,0	12,0	75	1	36072-0220
H45 SW46 M6/M6	45	M6	SW46	38	8	17	1,5	23	•	5,0	6,0	15	1	36072-0300
H45 SW46 M8/M8	45	M8	SW46	38	10	17	1,5	23	•	9,5	14,0	50	1	36072-0310
H45 SW46 M10/M10	45	M10	SW46	38	12	17	1,5	23	•	9,5	14,0	95	1	36072-0320
H50 SW50 M6/M6	50	M6	SW50	42	8	19	2,0	37	•	5,0	6,0	15	1	36072-0400
H50 SW50 M8/M8	50	M8	SW50	42	10	19	2,0	37	•	5,0	13,0	50	1	36072-0430
H50 SW50 M10/M10	50	M10	SW50	42	12	19	2,0	37	•	6,0	13,0	90	1	36072-0410
H50 SW50 M12/M12	50	M12	SW50	42	17	19	2,0	25	•	9,5	17,0	125	1	36072-0420
H60 SW50 M6/M6	60	M6	SW50	42	8	23,5	3,0	30	•	5,5	6,0	15	1	36072-0500
H60 SW50 M8/M8	60	M8	SW50	42	10	23,5	3,0	30	•	8,0	19,0	50	1	36072-0530
H60 SW50 M10/M10	60	M10	SW50	42	12	23,5	3,0	30	•	8,0	19,0	90	1	36072-0510
H60 SW50 M12/M12	60	M12	SW50	42	16	23,5	3,0	20	•	10,0	19,0	115	1	36072-0520
H60 SW50 M16/M16	60	M16	SW50	42	20	23,5	3,0	20	•	10,0	19,0	115	1	36072-0540
H70 SW60 M8/M8	70	M8	SW60	52	10	28	4,0	50	•	8,0	19,0	50	1	36072-0630
H70 SW60 M10/M10	70	M10	SW60	52	12	28	4,0	50	•	12,0	22,0	90	1	36072-0610
H70 SW60 M12/M12	70	M12	SW60	52	16	28	4,0	50	•	13,0	24,0	185	1	36072-0620
H70 SW60 M16/M16	70	M16	SW60	52	20	28	4,0	50	•	13,0	24,0	195	1	36072-0640

• DIN EN 60 112 / VDE 0303 T.11 – CTI 600



Color: red

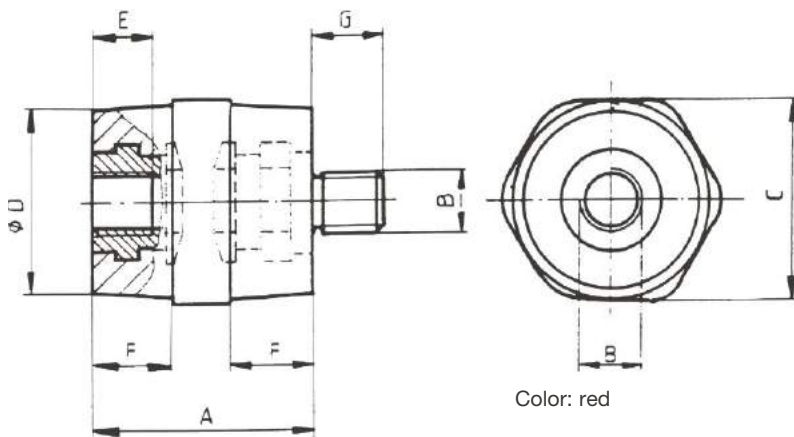
System accessories

Isolators

Material: Thermosetting unsaturated polyester, red color
 Heat-resistant according to ISO 75/A > 200 °C
 Threaded steel bushing/stud, galvanized
 Self-extinguishing according to UL94-V0, halogen-free

Designation	A	B	C	Ø D	E	F	G	Rated operating voltage kV	Power-frequency withstand-voltage kV	Leakage resistance	Flexural resistance kN	Tensile resistance kN	Torsional resistance Nm	PU	Order no.
25 SW36 M8/M8-10	25	M8	SW36	30	8	10	10	1,0	7,5	•	6,4	9,5	20	1	36079-0020
30 SW30 M6/M6	30	M6	SW30	26	6	12	8	1,0	10	•	4,0	5,0	10	1	36079-0100
30 SW30 M8/M8	30	M8	SW30	26	8	12	10	1,0	10	•	6,4	9,5	20	1	36079-0110
30 SW30 M10/M10	30	M10	SW30	26	10	12	12	1,0	10	•	6,4	9,5	30	1	36079-0120
35 SW32 M6/M6	35	M6	SW32	29,8	8	13	8	1,0	10	•	4,5	5,0	10	1	36079-0300
35 SW32 M8/M8	35	M8	SW32	29,8	10	13	10	1,0	10	•	6,9	9,5	22	1	36079-0310
35 SW 32M10/M10	35	M10	SW32	29,8	12	13	12	1,0	10	•	8,0	9,5	45	1	36079-0320
40 SW36 M6/M6	40	M6	SW36	32	8	15	8	1,5	15	•	4,5	5,0	10	1	36079-0420
40 SW36 M8/M8	40	M8	SW36	32	10	15	10	1,5	15	•	8,5	9,5	22	1	36079-0400
40 SW36 M10/M10	40	M10	SW36	32	12	15	12	1,5	15	•	9,0	9,5	45	1	36079-0410
45 SW46 M6/M6	45	M6	SW46	38	8	17	8	1,5	15	•	4,5	5,0	10	1	36079-0500
45 SW46 M8/M8	45	M8	SW46	38	10	17	10	1,5	15	•	9,5	10,0	22	1	36079-0510
45 SW46 M10/M10	45	M10	SW46	38	12	17	12	1,5	15	•	9,5	13,0	45	1	36079-0520
50 SW50 M8/M8	50	M8	SW50	42	10	19	10	2,0	15	•	5,0	10,0	22	1	36079-0210
50 SW50 M10/M10	50	M10	SW50	42	12	19	12	2,0	15	•	5,0	13,0	45	1	36079-0220
50 SW50 M12/M12	50	M12	SW50	42	17	19	17	2,0	15	•	6,0	17,0	115	1	36079-0240
60 SW50 M8/M8	60	M8	SW50	42	10	23,5	10	2,0	15	•	5,5	10,0	22	1	36079-0610
60 SW50 M10/M10	60	M10	SW50	42	12	23,5	12	2,0	15	•	8,0	13,0	45	1	36079-0620
60 SW50 M12/M12	60	M12	SW50	42	20	23,5	17	2,0	15	•	10,0	17,0	115	1	36079-0630
70 SW60 M8/M8	70	M8	SW60	52	10	28	10	2,0	15	•	8,0	10,0	22	1	36079-0710
70 SW60 M10/M10	70	M10	SW60	52	12	28	12	2,0	15	•	12,0	13,0	45	1	36079-0720
70 SW60 M12/M12	70	M12	SW60	52	20	28	17	2,0	15	•	13,0	17,0	115	1	36079-0740

• DIN EN 60 112 / VDE 0303 T.11 – CTI 600

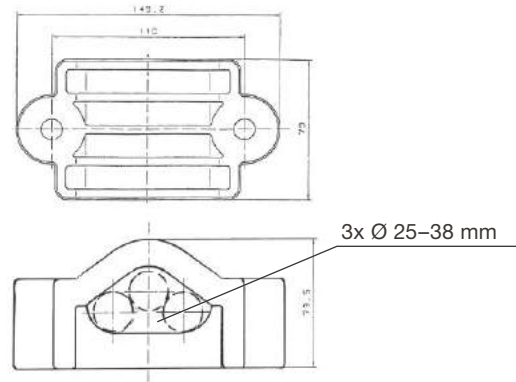
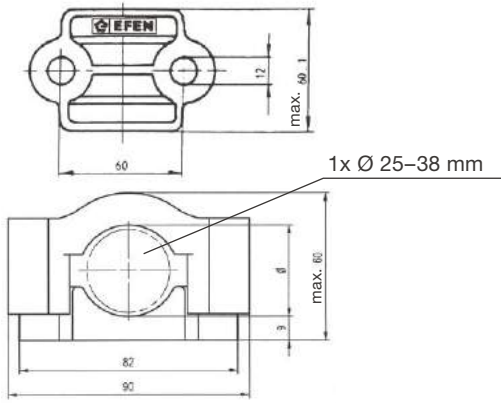


System accessories

Cable clamp made of glass-fiber-reinforced self-extinguishing halogen-free thermoplastic

Order no. 36116-0010/PU 1

Order no. 36116-0020/PU 1





Index

Oder number index

page 478

Order number index

Order number	Designation	UP	Page
2			
25304-0100	Locking ring	1	355
29100-0401	Load-break switch	1	244
29100-0501	Load-break switch	1	244
29100-0601	Load-break switch	1	244
29100-0700	Load-break switch	1	244
29100-0800	Load-break switch	1	244
29100-0900	Load-break switch	1	244
29100-1000	Load-break switch	1	244
29100-1200	Load-break switch	1	244
29100-1300	Load-break switch	1	244
29100-1400	Load-break switch	1	244
29100-1500	Load-break switch	1	244
29104-0401	Load-break switch	1	244
29104-0501	Load-break switch	1	244
29104-0601	Load-break switch	1	244
29104-0700	Load-break switch	1	244
29104-0800	Load-break switch	1	244
29104-0900	Load-break switch	1	244
29104-1000	Load-break switch	1	244
29104-1200	Load-break switch	1	244
29104-1300	Load-break switch	1	244
29104-1400	Load-break switch	1	244
29104-1500	Load-break switch	1	244
29110-1000	Load-break switch	1	245
29110-1200	Load-break switch	1	245
29110-1300	Load-break switch	1	245
29110-1400	Load-break switch	1	245
29110-1500	Load-break switch	1	245
29110-1600	Load-break switch	1	245
29110-1700	Load-break switch	1	245
29110-1800	Load-break switch	1	245
29114-1000	Load-break switch	1	245
29114-1200	Load-break switch	1	245
29114-1300	Load-break switch	1	245
29114-1400	Load-break switch	1	245
29114-1500	Load-break switch	1	245
29114-1600	Load-break switch	1	245
29114-1700	Load-break switch	1	245
29114-1800	Load-break switch	1	245
29160-1000	Master and emergency switch	1	256
29160-1200	Master and emergency switch	1	256
29160-1300	Master and emergency switch	1	256
29160-1400	Master and emergency switch	1	256
29160-1500	Master and emergency switch	1	256
29160-1600	Master and emergency switch	1	256
29160-1700	Master and emergency switch	1	256
29160-1800	Master and emergency switch	1	256
29164-1000	Master and emergency switch	1	256
29164-1200	Master and emergency switch	1	256
29164-1300	Master and emergency switch	1	256
29164-1400	Master and emergency switch	1	256
29164-1500	Master and emergency switch	1	256
29164-1600	Master and emergency switch	1	256
29164-1800	Master and emergency switch	1	256
29250-0401	Load-break switch	1	246
29250-0501	Load-break switch	1	246
29250-0600	Load-break switch	1	246
29250-0700	Load-break switch	1	246
29250-0800	Load-break switch	1	246
29250-0900	Load-break switch	1	246
29250-1000	Load-break switch	1	246
29250-1100	Load-break switch	1	246
29300-0400	Load-changeover switch	1	251
29300-0410	ST-FMU 6/3 with screw terminal M6	1	253
29300-0500	Load-changeover switch	1	251
29300-0510	ST-FMU 8/3 with screw terminal M6	1	253
29300-0600	Load-changeover switch	1	251
29300-0610	ST-FMU 10/3 with screw terminal M6	1	253
29300-0700	Load-changeover switch	1	251
29300-0710	ST-FMU 12/3 with screw terminal M6	1	253
29300-0800	Load-changeover switch	1	251
29300-0810	ST-FMU 16/3 with screw terminal M8	1	253
29300-1500	Load-changeover switch	1	251
29300-1510	ST-FMU 63/3 with screw terminal M12	1	254
29300-1600	Load-changeover switch	1	251
29300-1610	ST-FMU 80/3 with screw terminal M12	1	254
29300-1700	Load-changeover switch	1	251
29300-1710	ST-FMU 100/3 with screw terminal M12	1	254
29300-1800	Load-changeover switch	1	251
29300-1810	ST-FMU 125/3 with screw terminal M12	1	254
29300-1900	Load-changeover switch	1	251
29300-1910	ST-FMU 160/3 with screw terminal M12	1	254
29300-2000	Load-changeover switch	1	251
29300-2010	ST-FMU 200/3 with screw terminal M12	1	254
29300-2500	Load-changeover switch	1	251
29300-3150	Load-changeover switch	1	251
29300-4000	Load-changeover switch	1	251
29304-0400	Load-changeover switch	1	251

Order number index

Order number	Designation	UP	Page
29304-0410	ST-FMU 6/4 with screw terminal M6	1	253
29304-0500	Load-changeover switch	1	251
29304-0510	ST-FMU 8/4 with screw terminal M6	1	253
29304-0600	Load-changeover switch	1	251
29304-0610	ST-FMU 10/4 with screw terminal M6	1	253
29304-0700	Load-changeover switch	1	251
29304-0710	ST-FMU 12/4 with screw terminal M6	1	253
29304-0800	Load-changeover switch	1	251
29304-0810	ST-FMU 16/4 with screw terminal M8	1	253
29304-1500	Load-changeover switch	1	251
29304-1510	ST-FMU 63/4 with screw terminal M12	1	254
29304-1600	Load-changeover switch	1	251
29304-1610	ST-FMU 80/4 with screw terminal M12	1	254
29304-1700	Load-changeover switch	1	251
29304-1710	ST-FMU 100/4 with screw terminal M12	1	254
29304-1800	Load-changeover switch	1	251
29304-1810	ST-FMU 125/4 with screw terminal M12	1	254
29304-1900	Load-changeover switch	1	251
29304-1910	ST-FMU 160/4 with screw terminal M12	1	254
29304-2000	Load-changeover switch	1	251
29304-2010	ST-FMU 200/4 with screw terminal M12	1	254
29304-2500	Load-changeover switch	1	251
29304-3150	Load-changeover switch	1	251
29304-4000	Load-changeover switch	1	251
29320-0900	Load-changeover switch	1	251
29320-0910	ST-FMUN 20/3 with screw terminal M10	1	253
29320-1000	Load-changeover switch	1	251
29320-1010	ST-FMUN 25/3 with screw terminal M10	1	253
29320-1100	Load-changeover switch	1	251
29320-1110	ST-FMUN 30/3 with screw terminal M10	1	253
29320-1300	Load-changeover switch	1	251
29320-1310	ST-FMUN 40/3 with screw terminal M10	1	253
29320-1400	Load-changeover switch	1	251
29320-1410	ST-FMUN 50/3 with screw terminal M10	1	253
29324-0900	Load-changeover switch	1	251
29324-0910	ST-FMUN 20/4 with screw terminal M10	1	253
29324-1000	Load-changeover switch	1	251
29324-1010	ST-FMUN 25/4 with screw terminal M10	1	253
29324-1100	Load-changeover switch	1	251
29324-1110	ST-FMUN 30/4 with screw terminal M10	1	253
29324-1300	Load-changeover switch	1	251
29324-1310	ST-FMUN 40/4 with screw terminal M10	1	253
29324-1400	Load-changeover switch	1	251
29324-1410	ST-FMUN 50/4 with screw terminal M10	1	253
29360-0400	Bypass switch	1	257
29360-0500	Bypass switch	1	257
29360-0600	Bypass switch	1	257
29360-0700	Bypass switch	1	257
29360-0800	Bypass switch	1	257
29360-0900	Bypass switch	1	257
29360-1000	Bypass switch	1	257
29360-1100	Bypass switch	1	257
29360-1300	Bypass switch	1	257
29360-1400	Bypass switch	1	257
29360-1500	Bypass switch	1	257
29360-1600	Bypass switch	1	257
29360-1700	Bypass switch	1	257
29360-1800	Bypass switch	1	257
29360-1900	Bypass switch	1	257
29360-2000	Bypass switch	1	257
29364-0400	Bypass switch	1	257
29364-0500	Bypass switch	1	257
29364-0600	Bypass switch	1	257
29364-0700	Bypass switch	1	257
29364-0800	Bypass switch	1	257
29364-0900	Bypass switch	1	257
29364-1000	Bypass switch	1	257
29364-1100	Bypass switch	1	257
29364-1300	Bypass switch	1	257
29364-1400	Bypass switch	1	257
29364-1500	Bypass switch	1	257
29364-1600	Bypass switch	1	257
29364-1700	Bypass switch	1	257
29364-1800	Bypass switch	1	257
29364-1900	Bypass switch	1	257
29364-2000	Bypass switch	1	257
29400-0400	Switch-fuse	1	247
29400-0700	Switch-fuse	1	247
29400-1000	Switch-fuse	1	248
29403-1000	Switch-fuse	1	248
29410-0400	Switch-fuse	1	248
29410-0700	Switch-fuse	1	248
29420-1300	Switch-fuse	1	248
29420-1500	Switch-fuse	1	248
29423-1300	Switch-fuse	1	248
29423-1500	Switch-fuse	1	248
29430-0101	Switch-fuse	1	249
29430-0201	Switch-fuse	1	249
29430-0400	Switch-fuse	1	249
29430-0600	Switch-fuse	1	249

Order number index

Order number	Designation	UP	Page
29430-0700	Switch-fuse	1	249
29440-0101	Switch-fuse	1	250
29440-0201	Switch-fuse	1	250
29440-0600	Switch-fuse	1	250
29440-0700	Switch-fuse	1	250
29440-0800	Switch-fuse	1	250
29440-0900	Switch-fuse	1	250
29440-1000	Switch-fuse	1	250
29440-1100	Switch-fuse	1	250
3			
30744-0100	Partition wall, clamp contacting, for series 33003 ...	1	115
30780-0100	Partition wall, hook contacting, for series 33003 ...	1	115
30846-0100	Partition wall, for series 33135, 33035, 33036, 33037	1	115
31009-0100	Contact cover, for series 33003 ...	1	115
31122-0100	Carrier for identification label	1	143
31157-0100	Terminal cover	1	143
31187-0100	Twinning kit for parallel operation of 2 devices/phases	1	143
31319-0200	Terminal cover, 140 mm	1	143
31401-0100	Terminal cover	1	138
31428-0100	Terminal cover	1	138
31429-0100	Terminal cover	1	138
31438-0100	Terminal cover	1	138
31516-0100	V2N insulating cap	1	197
31607-0100	Insulating cap V2 MD	1	197
31828-0100	Terminal cover, single-side	1	245
31828-0200	Terminal cover, single-side	1	245
31946-0100	Extension for terminal cover for EKDEO series	1	197
33001-0020	Flat terminal M8, clamp mounting	10	114
33003-0020	Flat terminal M8 for busbar mounting, size 00, suitable for TPS fuses up to 250 A	10	114
33035-0020	Flat terminal M12	3	112
33036-0020	Clinch nut M10	3	112
33037-0010	Flat terminal M12	1	113
33039-0010	Clinch nut M12, without microswitch	1	114
33041-0010	Clinch nut M12, with microswitch	1	114
33042-0010	Clinch nut M16, with striker	1	353
33047-0010	Flat terminal M16	1	134
33047-0070	Flat terminal M12	1	134
33048-0010	Flat terminal M16, bottom terminal	1	134
33048-0020	Flat terminal M16, top terminal	1	134
33048-0030	Flat terminal M12, bottom terminal	1	134
33048-0040	Flat terminal M12, top terminal	1	134
33087-0010	690 V	5	353
33088-0010	1000 V	5	353
33089-0010	1200 V	4	353
33090-0010	1500 V	4	353
33091-0010	2000 V	4	353
33095-0010	Flat terminal M10	2	134
33096-0010	Flat terminal M10	2	134
33097-0010	Flat terminal M12	2	134
33098-0010	Flat terminal M10, bottom terminal	2	134
33098-0020	Flat terminal M10, top terminal	2	134
33099-0010	Flat terminal M10, bottom terminal	2	134
33099-0020	Flat terminal M10, top terminal	2	134
33100-0010	Flat terminal M12, bottom terminal	2	134
33100-0020	Flat terminal M12, top terminal	2	134
33107-0010	Flat terminal M8	2	134
33107-0250	Flat terminal M8	2	133
33107-0252	Flat terminal M8	2	348
33107-0600	Flat terminal M12	2	133
33107-0602	Flat terminal M12	2	348
33108-0010	Multiple-use terminal U3 with pressure plate for 2.5 – 25 mm ²	2	134
33109-0010	Multiple-use terminal U4 with pressure plate and contact prism for 25 – 70 mm ²	2	134
33111-0010	Flat terminal M8, Top or bottom terminals selectable	2	134
33111-0250	Flat terminal M8	2	133
33111-0252	Flat terminal M8	2	348
33111-0600	Flat terminal M12	2	133
33111-0602	Flat terminal M12	2	348
33112-0010	Multiple-use terminal U3 with pressure plate for 2.5 – 50 mm ² , Top or bottom terminals selectable	2	134
33113-0010	Multiple-use terminal U4 with pressure plate and contact prism for 25 – 70 mm ² , top or bottom terminals selectable	2	134
33120-0010	Flat terminal M8 for baseplate mounting, size 00, suitable for TPS fuses up to 250 A	10	112
33120-0070	Flat terminal M8 for supporting-rail mounting, size 00, suitable for TPS fuses up to 250 A	10	112
33125-0010	Box terminal 1.5 – 50 mm ² , for supporting-rail mounting	10	113
33135-0010	Flat terminal M12, screw mounting	3	114
33136-0010	Multiple-use terminal (bolt M8), baseplate mounting	2	128
33137-0010	Multiple-use terminal (bolt M8), busbar mounting	2	129
33300-0000	Multiple-use terminal (bolt M8)	1	113
33301-0000	Box clamp 1.5 – 70 mm ²	1	113
33304-0000	Multiple-use terminal (bolt M8)	1	113
33305-0000	Box clamp 1.5 – 70 mm ²	1	113
33320-0000	Multiple-use terminal (bolt M10)	1	113
33321-0000	Multiple-use terminal (bolt M10)	1	113
33330-0000	Multiple-use terminal (bolt M10)	1	113
33331-0000	Multiple-use terminal (bolt M10)	1	113
33460-0000	Flat terminal M16	1	133
33460-0010	Flat terminal M16	1	348
33470-0000	Flat terminal M16	2	133
33470-0010	Flat terminal M16	1	348
33560-0000	Flat terminal 2 x M12	1	133
33560-0010	Flat terminal 2 x M12	1	348

Order number index

Order number	Designation	UP	Page
33570-0010	Flat terminal 2 x M12	1	348
33600-0010	Flat terminal M8	12	112
33600-0020	Clinch nut M8	12	112
33600-0030	Multiple-use terminal with pressure plates for cables 1.5 – 50 mm ²	12	112
33600-0040	Multiple-use terminal with pressure plates and contact prism for cables 1.5 – 70 mm ²	12	112
33600-0050	V-terminal (not including V-clamps)	12	112
33600-0060	Clamp for 2 x 35 mm ²	12	112
33602-0010	Flat terminal M8	12	112
33602-0020	Clinch nut M8	12	112
33602-0030	Multiple-use terminal with pressure plates for cables 1.5 – 50 mm ²	12	112
33602-0040	Multiple-use terminal with pressure plates and contact prism for cables 1.5 – 70 mm ²	12	112
33602-0050	V-terminal (not including V-clamps)	12	112
33602-0060	Clamp for 2 x 35 mm ²	12	112
33608-0010	Flat terminal M8	4	113
33608-0020	Clinch nut M8	4	113
33608-0030	Multiple-use terminal with pressure plates for cables 1.5 – 50 mm ²	4	113
33608-0040	Multiple-use terminal with pressure plates and contact prism for cables 1.5 – 70 mm ²	4	113
33608-0050	V-terminal (not including V-clamps)	4	113
33608-0060	Clamp for 2 x 35 mm ²	4	113
33627-0010	Flat terminal M10	3	112
33627-0020	Clinch nut M10	3	112
33627-0050	V-terminal (not including V-clamps)	3	112
33631-0010	Flat terminal M10	1	113
33631-0020	Clinch nut M10	1	113
33631-0050	V-terminal (not including V-clamps)	1	113
33632-0010	Flat terminal M10	3	112
33632-0020	Clinch nut M10	3	112
33632-0050	V-terminal (not including V-clamps)	3	112
33633-0010	Flat terminal M10	1	113
33633-0020	Clinch nut M10	1	113
33633-0050	V-terminal (not including V-clamps)	1	113
33680-0010	Neutral bar with flat terminal M8	1	115
34040-0007	Box clamp 2.5 – 50 mm ² , narrow variant - 53 mm	1	128
34040-0137	Box clamp 2.5 – 50 mm ²	1	338
34050-0000	Box clamp 1.5 – 50 mm ²	10	128
34050-0070	Box clamp 1.5 – 50 mm ²	10	128
34060-0070	Multiple-use terminal (bolt M8)	10	128
34060-4000	Multiple-use terminal (bolt M8)	1	128
34060-4010	Multiple-use terminal (bolt M8)	1	129
34065-0070	Box clamp 1.5 – 50 mm ²	10	128
34076-0000	Box clamp 2.5 – 95 mm ²	1	128
34076-0030	Box clamp 2.5 – 95 mm ²	1	338
34076-0130	Box clamp 2.5 – 95 mm ²	1	338
34077-0000	Multiple-use terminal (bolt M8)	1	128
34077-0030	Multiple-use terminal (bolt M8)	1	338
34077-0130	Multiple-use terminal (bolt M8)	1	338
34162-4000	Multiple-use terminal (bolt M10)	1	128
34162-4010	Multiple-use terminal (bolt M10)	1	129
34170-0000	Multiple-use terminal (bolt M10)	1	128
34170-0030	Multiple-use terminal (bolt M10)	1	338
34170-0130	Multiple-use terminal (bolt M10)	1	338
34175-0000	Box clamp 35 – 150 mm ²	1	128
34175-0030	Box clamp 35 – 150 mm ²	1	338
34175-0130	Box clamp 35 – 150 mm ²	1	338
34262-4000	Multiple-use terminal (bolt M10)	1	128
34262-4010	Multiple-use terminal (bolt M10)	1	129
34270-0000	Multiple-use terminal (bolt M10)	1	128
34270-0030	Multiple-use terminal (bolt M10)	1	338
34270-0130	Multiple-use terminal (bolt M10)	1	338
34275-0000	Box clamp 95 – 300 mm ²	1	128
34275-0030	Box clamp 95 – 300 mm ²	1	338
34275-0130	Box clamp 95 – 300 mm ²	1	338
34360-0100	Screw terminal M12, with integrated solid-links 1000 A	1	129
34360-1000	Screw terminal M12	1	129
34362-4000	Multiple-use terminal (bolt M10)	1	128
34362-4010	Multiple-use terminal (bolt M10)	1	129
34370-0000	Multiple-use terminal (bolt M10)	1	128
34370-0030	Multiple-use terminal (bolt M10)	1	338
34370-0130	Multiple-use terminal (bolt M10)	1	338
34375-0000	Box clamp 95 – 300 mm ²	1	128
34375-0030	Box clamp 95 – 300 mm ²	1	338
34375-0130	Box clamp 95 – 300 mm ²	1	338
34400-0000	Screw terminal M16, 1-pole switching	1	128
34400-0030	Screw terminal M16, 3-pole switching	1	338
34400-1010	Screw terminal M16, 3-pole switching	1	128
34400-1040	Screw terminal 2 x M12, 1-pole switching	1	128
34400-1050	Screw terminal 2 x M12, 3-pole switching	1	128
34440-0000	Screw terminal M16, 1-pole switching	1	128
34762-1010	Multiple-use terminal (bolt M10), 1500 V, for NH fuse-links of type 3L only	1	129
34762-1020	Multiple-use terminal (bolt M10), 1000 V	1	129
34762-1030	DC-NH fuse-switch, size 3L, 2-pole, for baseplate mounting	1	135
34762-1040	DC-NH fuse-switch, size 3L, 4-pole, for baseplate mounting	1	135
35000-0020	NH-SI 000 2A GG AC500V AK	3	15
35000-0040	NH-SI 000 4,0A GG AC500V AK	3	15
35000-0060	NH-SI 000 6A GG AC500V AK	3	15
35000-0100	NH-SI 000 10A GG AC500V AK	3	15
35000-0160	NH-SI 000 16A GG AC500V AK	3	15
35000-0200	NH-SI 000 20A GG AC500V AK	3	15
35000-0250	NH-SI 000 25A GG AC500V AK	3	15
35000-0320	NH-SI 000 32A GG AC500V AK	3	15

Order number index

Order number	Designation	UP	Page
35000-0350	NH-SI 000 35A GG AC500V AK	3	15
35000-0400	NH-SI 000 40A GG AC500V AK	3	15
35000-0500	NH-SI 000 50A GG AC500V AK	3	15
35000-0630	NH-SI 000 63A GG AC500V AK	3	15
35000-0800	NH-SI 000 80A GG AC500V AK	3	15
35000-1000	NH-SI 000 100A GG AC500V AK	3	15
35001-0020	NH-SI 000 2A GG AC500V LI AK	3	17
35001-0040	NH-SI 000 4,0A GG AC500V LI AK	3	17
35001-0060	NH-SI 000 6A GG AC500V LI AK	3	17
35001-0100	NH-SI 000 10A GG AC500V LI AK	3	17
35001-0160	NH-SI 000 16A GG AC500V LI AK	3	17
35001-0200	NH-SI 000 20A GG AC500V LI AK	3	17
35001-0250	NH-SI 000 25A GG AC500V LI AK	3	17
35001-0320	NH-SI 000 32A GG AC500V LI AK	3	17
35001-0350	NH-SI 000 35A GG AC500V LI AK	3	17
35001-0400	NH-SI 000 40A GG AC500V LI AK	3	17
35001-0500	NH-SI 000 50A GG AC500V LI AK	3	17
35001-0630	NH-SI 000 63A GG AC500V LI AK	3	17
35001-0800	NH-SI 000 80A GG AC500V LI AK	3	17
35001-1000	NH-SI 000 100A GG AC500V LI AK	3	17
35010-0010	NH-SI 00 2A GL AG AC500V	3	20
35010-0020	NH-SI 00 4A GL AG AC500V	3	20
35010-0030	NH-SI 00 6A GL AG AC500V	3	20
35010-0040	NH-SI 00 10A GL AG AC500V	3	20
35010-0050	NH-SI 00 16A GL AG AC500V	3	20
35010-0060	NH-SI 00 20A GL AG AC500V	3	20
35010-0070	NH-SI 00 25A GL AG AC500V	3	20
35010-0080	NH-SI 00 32A GL AG AC500V	3	20
35010-0090	NH-SI 00 35A GL AG AC500V	3	20
35010-0100	NH-SI 00 40A GL AG AC500V	3	20
35010-0110	NH-SI 00 50A GL AG AC500V	3	20
35010-0120	NH-SI 00 63A GL AG AC500V	3	20
35010-0130	NH-SI 00 80A GL AG AC500V	3	20
35010-0140	NH-SI 00 100A GL AG AC500V	3	20
35010-0150	NH-SI 00 125A GL AG AC500V	3	20
35010-0160	NH-SI 00 160A GL AG AC500V	3	20
35011-0050	NH-SI 00 25A GG AC500V AK	3	15
35011-0060	NH-SI 00 25A GG AC500V AK	3	15
35011-0070	NH-SI 00 25A GG AC500V AK	3	15
35011-0080	NH-SI 00 32A GG AC500V AK	3	15
35011-0090	NH-SI 00 35A GG AC500V AK	3	15
35011-0100	NH-SI 00 40A GG AC500V AK	3	15
35011-0110	NH-SI 00 50A GG AC500V AK	3	15
35011-0120	NH-SI 00 63A GG AC500V AK	3	15
35011-0130	NH-SI 00 80A GG AC500V AK	3	15
35011-0140	NH-SI 00 100A GG AC500V AK	3	15
35011-0150	NH-SI 00 125A GG AC500V AK	3	15
35011-1090	NH-SI 00 160A GG AC500V AK	3	15
35024-0010	NH-SI 00 35A GR AC500V LS	3	25
35024-0020	NH-SI 00 40A GR AC500V LS	3	25
35024-0030	NH-SI 00 50A GR AC500V LS	3	25
35024-0040	NH-SI 00 63A GR AC500V LS	3	25
35024-0050	NH-SI 00 80A GR AC500V LS	3	25
35024-0060	NH-SI 00 100A GR AC500V LS	3	25
35024-0070	NH-SI 00 125A GR AC500V LS	3	25
35024-0080	NH-SI 00 160A GR AC500V LS	3	25
35024-0170	NH-SI 00 20A GR AC500V LS	3	25
35024-0180	NH-SI 00 16A GR AC500V LS	3	25
35024-0190	NH-SI 00 25A GR AC500V LS	3	25
35034-0010	NH-SI 1/6A GL AG AC500V	3	20
35034-0020	NH-SI 1/10A GL AG AC500V	3	20
35034-0030	NH-SI 1/16A GL AG AC500V	3	20
35034-0040	NH-SI 1/20A GL AG AC500V	3	20
35034-0050	NH-SI 1/25A GL AG AC500V	3	20
35034-0060	NH-SI 1/35A GL AG AC500V	3	20
35034-0070	NH-SI 1/50A GL AG AC500V	3	20
35034-0080	NH-SI 1/63A GL AG AC500V	3	20
35034-0090	NH-SI 1/80A GL AG AC500V	3	20
35034-0100	NH-SI 1/100A GL AG AC500V	3	20
35034-0110	NH-SI 1/125A GL AG AC500V	3	20
35034-0120	NH-SI 1 160A GL AG AC500V	3	20
35034-0130	NH-SI 1 200A GL AG AC500V	3	20
35034-0140	NH-SI 1 224A GL AG AC500V	3	20
35034-0150	NH-SI 1 250A GL AG AC500V	3	20
35035-0050	NH-SI 1/25A GG AC500V AK	3	15
35035-0060	NH-SI 1/35A GG AC500V AK	3	15
35035-0070	NH-SI 1/50A GG AC500V AK	3	15
35035-0080	NH-SI 1/63A GG AC500V AK	3	15
35035-0090	NH-SI 1/80A GG AC500V AK	3	15
35035-0100	NH-SI 1/100A GG AC500V AK	3	15
35035-0110	NH-SI 1/125A GG AC500V AK	3	15
35035-0120	NH-SI 1/160A GG AC500V AK	3	15
35035-0130	NH-SI 1 200A GG AC500V AK	3	15
35035-0140	NH-SI 1 224A GG AC500V AK	3	15
35035-0150	NH-SI 1 250A GG AC500V AK	3	15
35035-1220	NH-SI 1/32A GG AC500V AK	3	15
35035-1230	NH-SI 1/40A GG AC500V AK	3	15
35040-0010	NH-SI 1 35A GR AC500V LS	3	25
35040-0020	NH-SI 1 50A GR AC500V LS	3	25
35040-0030	NH-SI 1 63A GR AC500V LS	3	25

Order number index

Order number	Designation	UP	Page
35040-0040	NH-SI 1 80A GR AC500V LS	3	25
35040-0050	NH-SI 1 100A GR AC500V LS	3	25
35040-0060	NH-SI 1 125A GR AC500V LS	3	25
35040-0070	NH-SI 1 160A GR AC500V LS	3	25
35040-0080	NH-SI 1 200A GR AC500V LS	3	25
35040-0090	NH-SI 1 224A GR AC500V LS	3	25
35040-0100	NH-SI 1 250A GR AC500V LS	3	25
35041-0100	NH-SI 1L 35A GB AC1000V LS AS	3	29
35041-0110	NH-SI 1L 50A GB AC1000V LS AS	3	29
35041-0120	NH-SI 1L 63A GB AC1000V LS AS	3	29
35041-0130	NH-SI 1L 80A GB AC1000V LS AS	3	29
35041-0140	NH-SI 1L 100A GB AC1000V LS AS	3	29
35041-0150	NH-SI 1L 125A GB AC1000V LS AS	3	29
35041-0160	NH-SI 1L 160A GB AC1000V LS AS	3	29
35041-0170	NH-SI 1L 200A GB AC1000V LS AS	3	29
35041-0180	NH-SI 1L 250A GB AC1000V LS AS	3	29
35041-0410	NH-SI 1L 10A GB AC1000V LS AS	3	29
35041-0420	NH-SI 1L 16A GB AC1000V LS AS	3	29
35046-0010	NH-SI 1 35A GR AC500V LS SM	3	25
35046-0020	NH-SI 1 50A GR AC500V LS SM	3	25
35046-0030	NH-SI 1 63A GR AC500V LS SM	3	25
35046-0040	NH-SI 1 80A GR AC500V LS SM	3	25
35046-0050	NH-SI 1 100A GR AC500V LS SM	3	25
35046-0070	NH-SI 1 160A GR AC500V LS SM	3	26
35046-0080	NH-SI 1 200A GR AC500V LS SM	3	26
35046-0090	NH-SI 1 224A GR AC500V LS SM	3	26
35046-0100	NH-SI 1 250A GR AC500V LS SM	3	26
35053-0010	NH-SI 2/25A GL AG AC500V	3	20
35053-0020	NH-SI 2/35A GL AG AC500V	3	20
35053-0030	NH-SI 2/50A GL AG AC500V	3	20
35053-0040	NH-SI 2/63A GL AG AC500V	3	20
35053-0050	NH-SI 2/80A GL AG AC500V	3	20
35053-0060	NH-SI 2/100A GL AG AC500V	3	20
35053-0070	NH-SI 2/125A GL AG AC500V	3	20
35053-0080	NH-SI 2/160A GL AG AC500V	3	20
35053-0090	NH-SI 2/200A GL AG AC500V	3	20
35053-0100	NH-SI 2/224A GL AG AC500V	3	20
35053-0110	NH-SI 2 250A GL AG AC500V	3	20
35053-0120	NH-SI 2 300A GL AG AC500V	3	20
35053-0130	NH-SI 2 315A GL AG AC500V	3	20
35053-0140	NH-SI 2 355A GL AG AC500V	3	20
35053-0150	NH-SI 2 400A GL AG AC500V	3	20
35054-0010	NH-SI 2/25A GG AC500V AK	3	16
35054-0020	NH-SI 2/35A GG AC500V AK	3	16
35054-0030	NH-SI 2/50A GG AC500V AK	3	16
35054-0040	NH-SI 2/63A GG AC500V AK	3	16
35054-0050	NH-SI 2/80A GG AC500V AK	3	16
35054-0060	NH-SI 2/100A GG AC500V AK	3	16
35054-0070	NH-SI 2/125A GG AC500V AK	3	16
35054-0080	NH-SI 2/160A GG AC500V AK	3	16
35054-0090	NH-SI 2/200A GG AC500V AK	3	16
35054-0100	NH-SI 2/224A GG AC500V AK	3	16
35054-0110	NH-SI 2/250A GG AC500V AK	3	16
35054-0120	NH-SI 2 300A GG AC500V AK	3	16
35054-0130	NH-SI 2 315A GG AC500V AK	3	16
35054-0140	NH-SI 2 355A GG AC500V AK	3	16
35054-0150	NH-SI 2 400A GG AC500V AK	3	16
35058-0010	NH-SI 2 80A GR AC500V LS	3	25
35058-0020	NH-SI 2 100A GR AC500V LS	3	25
35058-0030	NH-SI 2 125A GR AC500V LS	3	25
35058-0040	NH-SI 2 160A GR AC500V LS	3	25
35058-0050	NH-SI 2 200A GR AC500V LS	3	25
35058-0060	NH-SI 2 224A GR AC500V LS	3	25
35058-0070	NH-SI 2 250A GR AC500V LS	3	25
35058-0080	NH-SI 2 300A GR AC500V LS	3	25
35058-0090	NH-SI 2 315A GR AC500V LS	3	25
35058-0100	NH-SI 2 355A GR AC500V LS	3	25
35058-0110	NH-SI 2 400A GR AC500V LS	3	25
35060-0050	NH-SI 2 80A GR AC500V LS SM	3	26
35060-0060	NH-SI 2 100A GR AC500V LS SM	3	26
35060-0070	NH-SI 2 125A GR AC500V LS SM	3	26
35060-0080	NH-SI 2 160A GR AC500V LS SM	3	26
35060-0090	NH-SI 2 200A GR AC500V LS SM	3	26
35060-0100	NH-SI 2 224A GR AC500V LS SM	3	26
35060-0110	NH-SI 2 250A GR AC500V LS SM	3	26
35060-0120	NH-SI 2 300A GR AC500V LS SM	3	26
35060-0130	NH-SI 2 315A GR AC500V LS SM	3	26
35060-0140	NH-SI 2 355A GR AC500V LS SM	3	26
35060-0150	NH-SI 2 400A GR AC500V LS SM	3	26
35067-0010	Current converter NH fuse-link 400 V	3	355
35067-0020	Current converter NH fuse-link 400 V	3	355
35067-0030	Current converter NH fuse-link 400 V	3	355
35067-0040	Current converter NH fuse-link 400 V	3	355
35067-0050	Current converter NH fuse-link 400 V	3	355
35067-0060	Current converter NH fuse-link 400 V	3	355
35067-0070	Current converter NH fuse-link 400 V	3	355
35067-0080	Current converter NH fuse-link 400 V	3	355
35067-0090	Current converter NH fuse-link 400 V	3	355
35076-1010	NH-SI 2 50KVA GTR AC400V MA	3	28
35076-1020	NH-SI 2 75KVA GTR AC400V MA	3	28

Order number index

Order number	Designation	UP	Page
35076-1030	NH-SI 2 100KVA GTR AC400V MA	3	28
35076-1040	NH-SI 2 125KVA GTR AC400V MA	3	28
35076-1050	NH-SI 2 160KVA GTR AC400V MA	3	28
35076-1060	NH-SI 2 200KVA GTR AC400V MA	3	28
35076-1070	NH-SI 2 250KVA GTR AC400V MA	3	28
35077-0010	NH-SI 3 315A GL AG AC500V	3	20
35077-0020	NH-SI 3 355A GL AG AC500V	3	20
35077-0030	NH-SI 3 400A GL AG AC500V	3	20
35077-0040	NH-SI 3 425A GL AG AC500V	3	20
35077-0050	NH-SI 3 500A GL AG AC500V	3	20
35077-0060	NH-SI 3 630A GL AG AC500V	3	20
35078-0010	NH-SI 3/315A GG AC500V AK	3	16
35078-0020	NH-SI 3/355A GG AC500V AK	3	16
35078-0030	NH-SI 3/400A GG AC500V AK	3	16
35078-0050	NH-SI 3 500A GG AC500V AK	3	16
35078-0060	NH-SI 3 630A GG AC500V AK	3	16
35078-0190	NH-SI 3/300A GG AC500V AK	3	16
35078-0340	NH-SI 3/63A GG AC500V AK	3	16
35078-0350	NH-SI 3/80A GG AC500V AK	3	16
35078-0360	NH-SI 3/100A GG AC500V AK	3	16
35078-0370	NH-SI 3/125A GG AC500V AK	3	16
35078-0380	NH-SI 3/160A GG AC500V AK	3	16
35078-0390	NH-SI 3/200A GG AC500V AK	3	16
35078-0400	NH-SI 3/224A GG AC500V AK	3	16
35078-0410	NH-SI 3/250A GG AC500V AK	3	16
35079-0010	NH-SI 3 315A GR AC500V LS	3	25
35079-0020	NH-SI 3 355A GR AC500V LS	3	25
35079-0030	NH-SI 3 400A GR AC500V LS	3	25
35079-0040	NH-SI 3 425A GR AC500V LS	3	25
35079-0050	NH-SI 3 500A GR AC500V LS	3	25
35079-0060	NH-SI 3 630A GR AC500V LS	3	25
35081-0100	NH-SI 3 500KVA GTR AC400V MA	3	28
35081-0110	NH-SI 3 630KVA GTR AC400V MA	3	28
35081-1010	NH-SI 3 250KVA GTR AC400V MA	3	28
35081-1020	NH-SI 3 315KVA GTR AC400V MA	3	28
35081-1030	NH-SI 3 400KVA GTR AC400V MA	3	28
35081-1040	NH-SI 3 100KVA GTR AC400V MA	3	28
35081-1050	NH-SI 3 200KVA GTR AC400V MA	3	28
35081-1060	NH-SI 3 160KVA GTR AC400V MA	3	28
35086-0010	NH-SI 3 315A GR AC500V LS SM	3	26
35086-0020	NH-SI 3 355A GR AC500V LS SM	3	26
35086-0030	NH-SI 3 400A GR AC500V LS SM	3	26
35086-0040	NH-SI 3 425A GR AC500V LS SM	3	26
35086-0050	NH-SI 3 500A GR AC500V LS SM	3	26
35086-0060	NH-SI 3 630A GR AC500V LS SM	3	26
35089-0010	NH-SI 3L 10A TF AC1500V LS	3	30
35089-0020	NH-SI 3L 16A TF AC1500V LS	3	30
35089-0030	NH-SI 3L 20A TF AC1500V LS	3	30
35089-0040	NH-SI 3L 25A TF AC1500V LS	3	30
35089-0050	NH-SI 3L 35A TF AC1500V LS	3	30
35089-0060	NH-SI 3L 50A TF AC1500V LS	3	30
35089-0070	NH-SI 3L 63A TF AC1500V LS	3	30
35089-0080	NH-SI 3L 80A TF AC1500V LS	3	30
35089-0090	NH-SI 3L 100A TF AC1500V LS	3	30
35089-0100	NH-SI 3L 125A TF AC1500V LS	3	30
35089-0110	NH-SI 3L 160A TF AC1500V LS	3	30
35089-0120	NH-SI 3L 200A TF AC1500V LS	3	30
35089-0130	NH-SI 3L 224A TF AC1500V LS	3	30
35089-0140	NH-SI 3L 250A TF AC1500V LS	3	30
35089-0150	NH-SI 3L 300A TF AC1500V LS	3	30
35089-0160	NH-SI 3L 315A TF AC1500V LS	3	30
35089-0170	NH-SI 3L 355A TF AC1500V LS	3	30
35089-0180	NH-SI 3L 425A TF AC1000V LS	3	30
35089-0190	NH-SI 3L 500A TF AC1000V LS	3	30
35089-0200	NH-SI 3L 6A TF AC1500V LS	3	30
35091-0010	NH-SI 3L 10A TF AC1500V SM	3	31
35091-0020	NH-SI 3L 16A TF AC1500V SM	3	31
35091-0030	NH-SI 3L 20A TF AC1500V SM	3	31
35091-0040	NH-SI 3L 25A TF AC1500V SM	3	31
35091-0050	NH-SI 3L 35A TF AC1500V SM	3	31
35091-0060	NH-SI 3L 50A TF AC1500V SM	3	31
35091-0070	NH-SI 3L 63A TF AC1500V SM	3	31
35091-0080	NH-SI 3L 80A TF AC1500V SM	3	31
35091-0090	NH-SI 3L 100A TF AC1500V SM	3	31
35091-0100	NH-SI 3L 125A TF AC1500V SM	1	31
35091-0110	NH-SI 3L 160A TF AC1500V SM	3	31
35091-0120	NH-SI 3L 200A TF AC1500V SM	3	31
35091-0130	NH-SI 3L 224A TF AC1500V SM	3	31
35091-0140	NH-SI 3L 250A TF AC1500V SM	3	31
35091-0150	NH-SI 3L 300A TF AC1500V SM	3	31
35091-0160	NH-SI 3L 315A TF AC1500V SM	3	31
35091-0170	NH-SI 3L 355A TF AC1500V SM	3	31
35091-0180	NH-SI 3L 425A TF AC1000V SM	3	31
35091-0190	NH-SI 3L 500A TF AC1000V SM	3	31
35097-0010	NH-SI 4A 500A GG AC500V	1	16
35097-0020	NH-SI 4A 630A GG AC500V	1	16
35097-0030	NH-SI 4A 800A GG AC500V	1	16
35097-0040	NH-SI 4A 1000A GG AC500V	1	16
35097-0050	NH-SI 4A 1250A GG AC500V	1	16
35097-0110	NH-SI 4A 1600A GG AC500V	1	16

Order number index

Order number	Designation	UP	Page
35097-0120	NH-SI 4A 400A GG AC500V	1	16
35100-0040	NH-SI 4A 800KVA GTR AC400V MA	1	28
35100-0100	NH-SI 4A 100KVA GTR AC400V MA	1	28
35100-0110	NH-SI 4A 160KVA GTR AC400V MA	1	28
35100-0120	NH-SI 4A 250KVA GTR AC400V MA	1	28
35100-0130	NH-SI 4A 400KVA GTR AC400V MA	1	28
35100-0140	NH-SI 4A 500KVA GTR AC400V MA	1	28
35100-0150	NH-SI 4A 630KVA GTR AC400V MA	1	28
35100-0160	NH-SI 4A 200KVA GTR AC400V MA	1	28
35100-0170	NH-SI 4A 315KVA GTR AC400V MA	1	28
35100-0190	NH-SI 4A 1000KVA GTR AC400V	1	28
35115-0010	NH-SI 2 25A GL AG AC500V LI	3	21
35115-0020	NH-SI 2 35A GL AG AC500V LI	3	21
35115-0030	NH-SI 2 50A GL AG AC500V LI	3	21
35115-0040	NH-SI 2 63A GL AG AC500V LI	3	21
35115-0050	NH-SI 2 80A GL AG AC500V LI	3	21
35115-0060	NH-SI 2 100A GL AG AC500V LI	3	21
35115-0070	NH-SI 2 125A GL AG AC500V LI	3	21
35115-0080	NH-SI 2 160A GL AG AC500V LI	3	21
35115-0090	NH-SI 2 200A GL AG AC500V LI	3	21
35115-0100	NH-SI 2 224A GL AG AC500V LI	3	21
35115-0110	NH-SI 2 250A GL AG AC500V LI	3	21
35115-0120	NH-SI 2 300A GL AG AC500V LI	3	21
35115-0130	NH-SI 2 315A GL AG AC500V LI	3	21
35115-0140	NH-SI 2 355A GL AG AC500V LI	3	21
35115-0150	NH-SI 2 400A GL AG AC500V LI	3	21
35115-0160	NH-SI 2 63A GL AG AC500V LI AU	3	22
35115-0170	NH-SI 2 80A GL AG AC500V LI AU	3	22
35115-0180	NH-SI 2 100A GL AG AC500V LI AU	3	22
35115-0190	NH-SI 2 125A GL AG AC500V LI AU	3	22
35115-0200	NH-SI 2 160A GL AG AC500V LI AU	3	22
35115-0210	NH-SI 2 200A GL AG AC500V LI AU	3	22
35115-0220	NH-SI 2 224A GL AG AC500V LI AU	3	22
35115-0230	NH-SI 2 250A GL AG AC500V LI AU	3	22
35115-0240	NH-SI 2 300A GL AG AC500V LI AU	3	22
35115-0250	NH-SI 2 315A GL AG AC500V LI AU	3	22
35115-0260	NH-SI 2 355A GL AG AC500V LI AU	3	22
35115-0270	NH-SI 2 400A GL AG AC500V LI AU	3	22
35115-0280	NH-SI 2 35A GL AG AC500V LI AU	3	22
35116-0040	NH-SI 2/ 63A GG AC500V LI AK	3	17
35116-0050	NH-SI 2/ 80A GG AC500V LI AK	3	17
35116-0060	NH-SI 2/ 100A GG AC500V LI AK	3	17
35116-0070	NH-SI 2/ 125A GG AC500V LI AK	3	17
35116-0080	NH-SI 2/ 160A GG AC500V LI AK	3	17
35116-0090	NH-SI 2/ 200A GG AC500V LI AK	3	17
35116-0100	NH-SI 2/ 224A GG AC500V LI AK	3	17
35116-0110	NH-SI 2/ 250A GG AC500V LI AK	3	17
35116-0120	NH-SI 2 300A GG AC500V LI AK	3	17
35116-0130	NH-SI 2 315A GG AC500V LI AK	3	17
35116-0140	NH-SI 2 355A GG AC500V LI AK	3	17
35116-0150	NH-SI 2 400A GG AC500V LI AK	3	17
35150-0010	NH-SI 3 10A TF AC1000V RHB	3	30
35150-0020	NH-SI 3 16A TF AC1000V RHB	3	30
35150-0030	NH-SI 3 20A TF AC1000V RHB	3	30
35150-0040	NH-SI 3 25A TF AC1000V RHB	3	30
35150-0050	NH-SI 3 35A TF AC1000V RHB	3	30
35150-0060	NH-SI 3 50A TF AC1000V RHB	3	30
35150-0070	NH-SI 3 63A TF AC1000V RHB	3	30
35150-0080	NH-SI 3 80A TF AC1000V RHB	3	30
35150-0090	NH-SI 3 100A TF AC1000V RHB	3	30
35150-0100	NH-SI 3 125A TF AC1000V RHB	3	30
35150-0110	NH-SI 3 160A TF AC1000V RHB	3	30
35150-0120	NH-SI 3 200A TF AC1000V RHB	3	30
35150-0130	NH-SI 3 224A TF AC1000V RHB	3	30
35150-0140	NH-SI 3 250A TF AC1000V RHB	3	30
35150-0150	NH-SI 3 300A TF AC1000V RHB	3	30
35150-0160	NH-SI 3 315A TF AC1000V RHB	3	30
35150-0170	NH-SI 3 355A TF AC1000V RHB	3	30
35150-0180	NH-SI 3 425A TF AC1000V RHB	3	30
35150-0190	NH-SI 3 400A TF AC1000V RHB	3	30
35151-0010	NH-SI 3 125A AM AC1000V SBW	3	29
35151-0020	NH-SI 3 160A AM AC1000V SBW	3	29
35151-0030	NH-SI 3 200A AM AC1000V SBW	3	29
35151-0040	NH-SI 3 224A AM AC1000V SBW	3	29
35151-0050	NH-SI 3 250A AM AC1000V SBW	3	29
35151-0070	NH-SI 3 315A AM AC1000V SBW	3	29
35151-0080	NH-SI 3 355A AM AC1000V SBW	3	29
35151-0120	NH-SI 3 500A AM AC1000V SBW	3	29
35164-0010	NH-SI 00 2A GL AG AC500V LI	3	21
35164-0020	NH-SI 00 4A GL AG AC500V LI	3	21
35164-0030	NH-SI 00 6A GL AG AC500V LI	3	21
35164-0040	NH-SI 00 10A GL AG AC500V LI	3	21
35164-0050	NH-SI 00 16A GL AG AC500V LI	3	21
35164-0060	NH-SI 00 20A GL AG AC500V LI	3	21
35164-0070	NH-SI 00 25A GL AG AC500V LI	3	21
35164-0080	NH-SI 00 32A GL AG AC500V LI	3	21
35164-0090	NH-SI 00 35A GL AG AC500V LI	3	21
35164-0100	NH-SI 00 40A GL AG AC500V LI	3	21
35164-0110	NH-SI 00 50A GL AG AC500V LI	3	21
35164-0120	NH-SI 00 63A GL AG AC500V LI	3	21

Order number index

Order number	Designation	UP	Page
35164-0130	NH-SI 00 80A GL AG AC500V LI	3	21
35164-0140	NH-SI 00 100A GL AG AC500V LI	3	21
35164-0150	NH-SI 00 125A GL AG AC500V LI	3	21
35164-0160	NH-SI 00 160A GL AG AC500V LI	3	21
35164-0170	NH-SI 00 35A GL AG AC500V LI AU	3	22
35164-0180	NH-SI 00 40A GL AG AC500V LI AU	3	22
35164-0190	NH-SI 00 50A GL AG AC500V LI AU	3	22
35164-0200	NH-SI 00 63A GL AG AC500V LI AU	3	22
35164-0210	NH-SI 00 80A GL AG AC500V LI AU	3	22
35164-0220	NH-SI 00 100A GL AG AC500V LI AU	3	22
35164-0230	NH-SI 00 125A GL AG AC500V LI AU	3	22
35164-0240	NH-SI 00 160A GL AG AC500V LI AU	3	22
35164-0250	NH-SI 00 25A GL AG AC500V LI AU	3	22
35164-0260	NH-SI 00 16A GL AG AC500V LI AU	3	22
35164-0270	NH-SI 00 10A GL AG AC500V LI AU	3	22
35165-0070	NH-SI 00 25A GG AC500V LI AK	3	17
35165-0080	NH-SI 00 32A GG AC500V LI AK	3	17
35165-0090	NH-SI 00 35A GG AC500V LI AK	3	17
35165-0100	NH-SI 00 40A GG AC500V LI AK	3	17
35165-0110	NH-SI 00 50A GG AC500V LI AK	3	17
35165-0120	NH-SI 00 63A GG AC500V LI AK	3	17
35165-0130	NH-SI 00 80A GG AC500V LI AK	3	17
35165-0140	NH-SI 00 100A GG AC500V LI AK	3	17
35165-0150	NH-SI 00 125A GG AC500V LI AK	3	17
35165-0160	NH-SI 00 160A GG AC500V LI AK	3	17
35177-0010	NH-BATTERIESICHERUNG 00 E	3	53
35177-0030	NH-BATTERIESICHERUNG 00 G	3	53
35177-0040	NH-BATTERIESICHERUNG 00 H	3	53
35177-0050	NH-BATTERIESICHERUNG 00 A	3	53
35177-0060	NH-BATTERIESICHERUNG 00 B	3	53
35177-0070	NH-BATTERIESICHERUNG 00 C	3	53
35177-0080	NH-BATTERIESICHERUNG 00 D	3	53
35178-0010	NH-BATTERIESICHERUNG 1 A	3	53
35178-0020	NH-BATTERIESICHERUNG 1 B	3	53
35178-0030	NH-BATTERIESICHERUNG 1 C	3	53
35179-0010	NH-BATTERIESICHERUNG 2 A	3	53
35179-0020	NH-BATTERIESICHERUNG 2 B	3	53
35180-0010	NH-BATTERIESICHERUNG 3 A	1	53
35180-0020	NH-BATTERIESICHERUNG 3 B	1	53
35180-0030	NH-BATTERIESICHERUNG 3 C	1	53
35183-0020	NH-BATTERIESICHERUNG 4 C	1	53
35183-0030	NH-BATTERIESICHERUNG 4 D	1	53
35183-0040	NH-BATTERIESICHERUNG 4 E	1	53
35190-0060	Current converter NH fuse-link 400 V	3	355
35203-0010	NH-SI 1 6A GL AG AC500V LI	3	21
35203-0020	NH-SI 1 10A GL AG AC500V LI	3	21
35203-0030	NH-SI 1 16A GL AG AC500V LI	3	21
35203-0040	NH-SI 1 20A GL AG AC500V LI	3	21
35203-0050	NH-SI 1 25A GL AG AC500V LI	3	21
35203-0060	NH-SI 1 35A GL AG AC500V LI	3	21
35203-0070	NH-SI 1 50A GL AG AC500V LI	3	21
35203-0080	NH-SI 1 63A GL AG AC500V LI	3	21
35203-0090	NH-SI 1 80A GL AG AC500V LI	3	21
35203-0100	NH-SI 1 100A GL AG AC500V LI	3	21
35203-0110	NH-SI 1 125A GL AG AC500V LI	3	21
35203-0120	NH-SI 1 160A GL AG AC500V LI	3	21
35203-0130	NH-SI 1 200A GL AG AC500V LI	3	21
35203-0140	NH-SI 1 224A GL AG AC500V LI	3	21
35203-0150	NH-SI 1 250A GL AG AC500V LI	3	21
35204-0050	NH-SI 1/ 25A GG AC500V LI AK	3	17
35204-0060	NH-SI 1/ 35A GG AC500V LI AK	3	17
35204-0070	NH-SI 1/ 50A GG AC500V LI AK	3	17
35204-0080	NH-SI 1/ 63A GG AC500V LI AK	3	17
35204-0090	NH-SI 1/ 80A GG AC500V LI AK	3	17
35204-0100	NH-SI 1/ 100A GG AC500V LI AK	3	17
35204-0110	NH-SI 1/ 125A GG AC500V LI AK	3	17
35204-0120	NH-SI 1 160A GG AC500V LI AK	3	17
35204-0130	NH-SI 1 200A GG AC500V LI AK	3	17
35204-0140	NH-SI 1 224A GG AC500V LI AK	3	17
35204-0150	NH-SI 1 250A GG AC500V LI AK	3	17
35204-0160	NH-SI 1/ 32A GG AC500V LI AK	3	17
35204-0170	NH-SI 1/ 40A GG AC500V LI AK	3	17
35207-0010	NH-SI 00 6A gL SM	3	19
35207-0020	NH-SI 00 10A gL SM	3	19
35207-0030	NH-SI 00 16A gL SM	3	19
35207-0040	NH-SI 00 20A gL SM	3	19
35207-0050	NH-SI 00 25A gL SM	3	19
35207-0060	NH-SI 00 32A gL SM	3	19
35207-0070	NH-SI 00 35A gL SM	3	19
35207-0080	NH-SI 00 40A gL SM	3	19
35207-0090	NH-SI 00 50A gL SM	3	19
35207-0100	NH-SI 00 63A gL SM	3	19
35207-0110	NH-SI 00 80A gL SM	3	19
35207-0120	NH-SI 00 100A gL SM	3	19
35207-0130	NH-SI 00 125A gL SM	3	19
35209-0010	NH-ARBEITSSICHERUNG 2 80A GR AC500V LI	3	27
35209-0020	NH-ARBEITSSICHERUNG 2 100A GR AC500V LI	3	27
35209-0030	NH-ARBEITSSICHERUNG 2 125A GR AC500V LI	3	27
35209-0040	NH-ARBEITSSICHERUNG 2 160A GR AC500V LI	3	27
35209-0050	NH-ARBEITSSICHERUNG 2 200A GR AC500V LI	3	27

Order number index

Order number	Designation	UP	Page
35209-0060	NH-ARBEITSSICHERUNG 2 224A GR AC500V LI	3	27
35209-0070	NH-ARBEITSSICHERUNG 2 250A GR AC500V LI	3	27
35209-0080	NH-ARBEITSSICHERUNG 2 300A GR AC500V LI	3	27
35209-0090	NH-ARBEITSSICHERUNG 2 315A GR AC500V LI	3	27
35218-0010	NH-SI 00 16A GR AC500V SM	3	25
35218-0020	NH-SI 00 20A GR AC500V SM	3	25
35218-0030	NH-SI 00 25A GR AC500V SM	3	25
35218-0040	NH-SI 00 35A GR AC500V SM	3	25
35218-0050	NH-SI 00 40A GR AC500V SM	3	25
35218-0060	NH-SI 00 50A GR AC500V SM	3	25
35218-0070	NH-SI 00 63A GR AC500V SM	3	25
35218-0080	NH-SI 00 80A GR AC500V SM	3	25
35218-0090	NH-SI 00 100A GR AC500V SM	3	25
35218-0100	NH-SI 00 125A GR AC500V SM	3	25
35300-0060	TPS FAULT TERMINATOR 60 A	3	52
35300-0080	TPS FAULT TERMINATOR 80 A	3	52
35300-0100	TPS FAULT TERMINATOR 100 A	3	52
35300-0150	TPS FAULT TERMINATOR 150 A	3	52
35300-0200	TPS FAULT TERMINATOR 200 A	3	52
35300-0250	TPS FAULT TERMINATOR 250 A	3	52
35300-0300	TPS FAULT TERMINATOR 300 A	3	52
35300-0400	TPS FAULT TERMINATOR 400 A	3	52
35300-0500	TPS FAULT TERMINATOR 500 A	3	52
35300-0600	TPS FAULT TERMINATOR 600 A	3	52
35301-0060	TPS FAULT TERMINATOR 60 A SM	3	52
35301-0080	TPS FAULT TERMINATOR 80 A SM	3	52
35301-0100	TPS FAULT TERMINATOR 100 A SM	3	52
35301-0150	TPS FAULT TERMINATOR 150 A SM	3	52
35301-0200	TPS FAULT TERMINATOR 200 A SM	3	52
35301-0250	TPS FAULT TERMINATOR 250 A SM	3	52
35301-0300	TPS FAULT TERMINATOR 300 A SM	3	52
35301-0400	TPS FAULT TERMINATOR 400 A SM	3	52
35301-0500	TPS FAULT TERMINATOR 500 A SM	3	52
35301-0600	TPS FAULT TERMINATOR 600 A SM	3	52
35330-0800	TPS FAULT TERMINATOR 800 A	1	52
35330-1000	TPS FAULT TERMINATOR 1000 A	1	52
35330-1200	TPS FAULT TERMINATOR 1200 A	1	52
35330-1600	TPS FAULT TERMINATOR 1600 A	1	52
35401-0020	NH-SI 000 2A GG AC400V AK	3	12
35401-0040	NH-SI 000 4A GG AC400V AK	3	12
35401-0060	NH-SI 000 6A GG AC400V AK	3	12
35401-0100	NH-SI 000 10A GG AC400V AK	3	12
35401-0160	NH-SI 000 16A GG AC400V AK	3	12
35401-0200	NH-SI 000 20A GG AC400V AK	3	12
35401-0250	NH-SI 000 25A GG AC400V AK	3	12
35401-0320	NH-SI 000 32A GG AC400V AK	3	12
35401-0350	NH-SI 000 35A GG AC400V AK	3	12
35401-0500	NH-SI 000 50A GG AC400V AK	3	12
35401-0630	NH-SI 000 63A GG AC400V AK	3	12
35401-0800	NH-SI 000 80A GG AC400V AK	3	12
35401-1000	NH-SI 000 100A GG AC400V AK	3	12
35402-0630	NH-SI 00 63A GG AC400V AK	3	12
35402-0800	NH-SI 00 80A GG AC400V AK	3	12
35402-1000	NH-SI 00 100A GG AC400V AK	3	12
35402-1250	NH-SI 00 125A GG AC400V AK	3	12
35402-1600	NH-SI 00 160A GG AC400V AK	3	12
35403-0160	NH-SI 1/16A GG AC400V AK	3	12
35403-0200	NH-SI 1/20A GG AC400V AK	3	12
35403-0250	NH-SI 1/25A GG AC400V AK	3	12
35403-0320	NH-SI 1/32A GG AC400V AK	3	12
35403-0350	NH-SI 1/35A GG AC400V AK	3	12
35403-0400	NH-SI 1/40A GG AC400V AK	3	12
35403-0500	NH-SI 1/50A GG AC400V AK	3	12
35403-0630	NH-SI 1/63A GG AC400V AK	3	12
35403-0800	NH-SI 1/80A GG AC400V AK	3	12
35403-1000	NH-SI 1/100A GG AC400V AK	3	12
35403-1250	NH-SI 1 125A GG AC400V AK	3	12
35403-1600	NH-SI 1 160A GG AC400V AK	3	12
35403-2000	NH-SI 1 200A GG AC400V AK	3	12
35403-2240	NH-SI 1 224A GG AC400V AK	3	12
35403-2500	NH-SI 1 250A GG AC400V AK	3	12
35404-0350	NH-SI 2/35A GG AC400V AK	3	12
35404-0500	NH-SI 2/50A GG AC400V AK	3	12
35404-0630	NH-SI 2/63A GG AC400V AK	3	12
35404-0800	NH-SI 2/80A GG AC400V AK	3	12
35404-1000	NH-SI 2/100A GG AC400V AK	3	12
35404-1250	NH-SI 2/125A GG AC400V AK	3	12
35404-1600	NH-SI 2/160A GG AC400V AK	3	12
35404-2000	NH-SI 2/200A GG AC400V AK	3	12
35404-2240	NH-SI 2/224A GG AC400V AK	3	12
35404-2500	NH-SI 2/250A GG AC400V AK	3	12
35404-3150	NH-SI 2 315A GG AC400V AK	3	12
35404-3550	NH-SI 2 355A GG AC400V AK	3	12
35404-4000	NH-SI 2 400A GG AC400V AK	3	12
35405-2500	NH-SI 3/250A GG AC400V AK	3	12
35405-3000	NH-SI 3/300A GG AC400V AK	1	12
35405-3150	NH-SI 3/315A GG AC400V AK	3	12
35405-4000	NH-SI 3/400A GG AC400V AK	3	12
35405-5000	NH-SI 3 500A GG AC400V MA	3	12
35405-6300	NH-SI 3 630A GG AC400V MA	3	12

Order number index

Order number	Designation	UP	Page
35406-0020	NH-SI 000 2A GG AC400V LI AK	3	13
35406-0040	NH-SI 000 4A GG AC400V LI AK	3	13
35406-0060	NH-SI 000 6A GG AC400V LI AK	3	13
35406-0100	NH-SI 000 10A GG AC400V LI AK	3	13
35406-0160	NH-SI 000 16A GG AC400V LI AK	3	13
35406-0200	NH-SI 000 20A GG AC400V LI AK	3	13
35406-0250	NH-SI 000 25A GG AC400V LI AK	3	13
35406-0320	NH-SI 000 32A GG AC400V LI AK	3	13
35406-0350	NH-SI 000 35A GG AC400V LI AK	3	13
35406-0400	NH-SI 000 40A GG AC400V LI AK	3	13
35406-0500	NH-SI 000 50A GG AC400V LI AK	3	13
35406-0630	NH-SI 000 63A GG AC400V LI AK	3	13
35406-0800	NH-SI 000 80A GG AC400V LI AK	3	13
35406-1000	NH-SI 000 100A GG AC400V LI AK	3	13
35407-0630	NH-SI 00 63A GG AC400V LI AK	3	13
35407-0800	NH-SI 00 80A GG AC400V LI AK	3	13
35407-1000	NH-SI 00 100A GG AC400V LI AK	3	13
35407-1250	NH-SI 00 125A GG AC400V LI AK	3	13
35407-1600	NH-SI 00 160A GG AC400V LI AK	3	13
35408-0160	NH-SI 1/ 16A GG AC400V LI AK	3	13
35408-0200	NH-SI 1/ 20A GG AC400V LI AK	3	13
35408-0250	NH-SI 1/ 25A GG AC400V LI AK	3	13
35408-0320	NH-SI 1/ 32A GG AC400V LI AK	3	13
35408-0350	NH-SI 1/ 35A GG AC400V LI AK	3	13
35408-0400	NH-SI 1/ 40A GG AC400V LI AK	3	13
35408-0500	NH-SI 1/ 50A GG AC400V LI AK	3	13
35408-0630	NH-SI 1/ 63A GG AC400V LI AK	3	13
35408-0800	NH-SI 1/ 80A GG AC400V LI AK	3	13
35408-1000	NH-SI 1/ 100A GG AC400V LI AK	3	13
35408-1250	NH-SI 1 125A GG AC400V LI AK	3	13
35408-1600	NH-SI 1 160A GG AC400V LI AK	3	13
35408-2000	NH-SI 1 200A GG AC400V LI AK	3	13
35408-2240	NH-SI 1 224A GG AC400V LI AK	3	13
35408-2500	NH-SI 1 250A GG AC400V LI AK	3	13
35409-0350	NH-SI 2/ 35A GG AC400V LI AK	3	14
35409-0500	NH-SI 2/ 50A GG AC400V LI AK	3	14
35409-0630	NH-SI 2/ 63A GG AC400V LI AK	3	14
35409-0800	NH-SI 2/ 80A GG AC400V LI AK	3	14
35409-1000	NH-SI 2/ 100A GG AC400V LI AK	3	14
35409-1250	NH-SI 2/ 125A GG AC400V LI AK	3	14
35409-1600	NH-SI 2/ 160A GG AC400V LI AK	3	14
35409-2000	NH-SI 2/ 200A GG AC400V LI AK	3	14
35409-2240	NH-SI 2/ 224A GG AC400V LI AK	3	14
35409-2500	NH-SI 2/ 250A GG AC400V LI AK	3	14
35409-3150	NH-SI 2 315A GG AC400V LI AK	3	14
35409-3550	NH-SI 2 355A GG AC400V LI AK	3	14
35409-4000	NH-SI 2 400A GG AC400V LI AK	3	14
35410-2500	NH-SI 3/ 250A GG AC400V LI AK	3	14
35410-3000	NH-SI 3/ 300A GG AC400V LI AK	1	14
35410-3150	NH-SI 3/ 315A GG AC400V LI AK	3	14
35410-4000	NH-SI 3/ 400A GG AC400V LI AK	3	14
35410-5000	NH-SI 3 500A GG AC400V LI MA	3	14
35410-6300	NH-SI 3 630A GG AC400V LI MA	3	14
35420-1000	NH-SI 3/ 100A gG AC500V LI AK	3	18
35420-1250	NH-SI 3/ 125A gG AC500V LI AK	3	18
35420-1600	NH-SI 3/ 160A gG AC500V LI AK	3	18
35420-2000	NH-SI 3/ 200A gG AC500V LI AK	3	18
35420-2240	NH-SI 3/ 224A gG AC500V LI AK	3	18
35420-2500	NH-SI 3/ 250A gG AC500V LI AK	3	18
35420-3000	NH-SI 3/ 300A gG AC500V LI AK	3	18
35420-3150	NH-SI 3/ 315A GG AC500V LI AK	3	18
35420-3550	NH-SI 3/ 355A GG AC500V LI AK	3	18
35420-4000	NH-SI 3/ 400A GG AC500V LI AK	3	18
35420-4250	NH-SI 3 425A GG AC500V LI AK	3	18
35420-5000	NH-SI 3 500A GG AC500V LI AK	3	18
35420-6300	NH-SI 3 630A GG AC500V LI AK	3	18
35421-0020	NH-SI 000 2A GG AC690V AK	3	23
35421-0040	NH-SI 000 4A GG AC690V AK	3	23
35421-0060	NH-SI 000 6A GG AC690V AK	3	23
35421-0100	NH-SI 000 10A GG AC690V AK	3	23
35421-0160	NH-SI 000 16A GG AC690V AK	3	23
35421-0200	NH-SI 000 20A GG AC690V AK	3	23
35421-0250	NH-SI 000 25A GG AC690V AK	3	23
35421-0320	NH-SI 000 32A GG AC690V AK	3	23
35421-0350	NH-SI 000 35A GG AC690V AK	3	23
35421-0400	NH-SI 000 40A GG AC690V AK	3	23
35421-0500	NH-SI 000 50A GG AC690V AK	3	23
35421-0630	NH-SI 000 63A GG AC690V AK	3	23
35422-0800	NH-SI 00 80A GG AC690V AK	3	23
35422-1000	NH-SI 00 100A GG AC690V AK	3	23
35422-1250	NH-SI 00 125A GG AC690V AK	3	23
35423-0250	NH-SI 1/ 25A GG AC690V AK	3	23
35423-0320	NH-SI 1/ 32A GG AC690V AK	3	23
35423-0350	NH-SI 1/ 35A GG AC690V AK	3	23
35423-0400	NH-SI 1/ 40A GG AC690V AK	3	23
35423-0500	NH-SI 1/ 50A GG AC690V AK	3	23
35423-0630	NH-SI 1/ 63A GG AC690V AK	3	23
35423-0800	NH-SI 1/ 80A GG AC690V AK	3	23
35423-1000	NH-SI 1/ 100A GG AC690V AK	3	23
35423-1250	NH-SI 1 125A GG AC690V AK	3	23

Order number index

Order number	Designation	UP	Page
35423-1600	NH-SI 1 160A GG AC690V AK	3	23
35423-2000	NH-SI 1 200A GG AC690V AK	3	23
35423-2500	NH-SI 1 250A GG AC690V AK	3	23
35424-0250	NH-SI 2/ 25A GG AC690V AK	3	23
35424-0350	NH-SI 2/ 35A GG AC690V AK	3	23
35424-0500	NH-SI 2/ 50A GG AC690V AK	3	23
35424-0630	NH-SI 2/ 63A GG AC690V AK	3	23
35424-0800	NH-SI 2/ 80A GG AC690V AK	3	23
35424-1000	NH-SI 2/ 100A GG AC690V AK	3	23
35424-1250	NH-SI 2/ 125A GG AC690V AK	3	23
35424-1600	NH-SI 2/ 160A GG AC690V AK	3	23
35424-2000	NH-SI 2/ 200A GG AC690V AK	3	23
35424-2500	NH-SI 2/ 250A GG AC690V AK	3	23
35424-3150	NH-SI 2 315A GG AC690V AK	3	23
35424-3550	NH-SI 2 355A GG AC690V AK	3	23
35424-4000	NH-SI 2 400A GG AC690V MA	3	23
35425-0800	NH-SI 3/ 80A GG AC690V AK	3	24
35425-1000	NH-SI 3/ 100A GG AC690V AK	3	24
35425-1250	NH-SI 3/ 125A GG AC690V AK	3	24
35425-1600	NH-SI 3/ 160A GG AC690V AK	3	24
35425-2000	NH-SI 3/ 200A GG AC690V AK	3	24
35425-2240	NH-SI 3/ 224A GG AC690V AK	3	24
35425-2500	NH-SI 3/ 250A GG AC690V AK	3	24
35425-3150	NH-SI 3/ 315A GG AC690V AK	3	24
35425-3550	NH-SI 3/ 355A GG AC690V AK	3	24
35425-4000	NH-SI 3 400A GG AC690V AK	3	24
35425-4250	NH-SI 3 425A GG AC690V AK	3	24
35425-5000	NH-SI 3 500A GG AC690V AK	3	24
35425-6300	NH-SI 3 630A GG AC690V MA	3	24
36000-0010	690 V / NS 3001	12	353
36001-0010	1000 V / NS 3002	12	353
36002-0010	2000 V / NS 3005	16	353
36003-0010	1500 V / NS 3003	15	353
36007-0010	1200 V / NS 3015	25	353
36008-0010	NH solid link	15	58
36009-0010	NH solid link	15	58
36010-0010	NH solid link	9	58
36011-0010	NH solid link	6	58
36012-0010	NH solid link	6	58
36012-0020	NH solid link	6	58
36013-0010	NH solid link	10	58
36014-0010	NH solid link	6	58
36015-0020	NH solid link, insulated gripping lug	15	58
36018-0010	Special variant for NH fuse-links or solid links with 120 mm gripping lug spacing, 1500 V	4	58
36020-0010	With hand protection, without cuff	10	58
36022-0010	With leather cuff, 352 mm long	3	58
36025-0010	1 SATZ V-KLEMME 35-70 SM MIT LASCHE	3	197
36025-0060	V-clamp 35 – 25 mm ² sm, 70 – 240 mm ² se (1 kit = 3 pieces)	3	197
36030-0000	Holder	4	353
36031-0010	Striker (elegard striker unit) for fuse-monitoring, size 1 – 3	12	353
36031-0020	Striker 690 V / >=2 V	12	353
36040-0010	Identification label (screw-mount) 45 x 17 mm	1	143
36063-0010	1 kit (3 pieces) of claw clamps M12 for 50 – 150 mm ² se	1	197
36070-0010	Bow-type flat-terminal clamp	1	466
36072-0010	Insulator H35 SW32 M10/M10	12	465
36072-0020	Insulator H35 SW32 M8/M8	1	465
36072-0030	Insulator H35 SW32 M6/M6	1	465
36072-0110	Insulator H30 SW30 M8/M8	1	465
36072-0120	Insulator H30 SW30 M6/M6	1	465
36072-0130	Insulator H30 SW30 M10/M10	1	465
36072-0200	Insulator H40 SW36 M6/M6	1	465
36072-0210	Insulator H40 SW36 M8/M8	1	465
36072-0220	Insulator H40 SW36 M10/M10	1	465
36072-0300	Insulator H45 SW46 M6/M6	1	465
36072-0310	Insulator H45 SW46 M8/M8	1	465
36072-0320	Insulator H45 SW46 M10/M10	1	465
36072-0400	Insulator H50 SW50 M6/M6	1	465
36072-0410	Insulator H50 SW50 M10/M10	1	465
36072-0420	Insulator H50 SW50 M12/M12	1	465
36072-0430	Insulator H50 SW50 M8/M8	1	465
36072-0500	Insulator H60 SW50 M6/M6	1	465
36072-0510	Insulator H60 SW50 M10/M10	1	465
36072-0520	Insulator H60 SW50 M12/M12	1	465
36072-0530	Insulator H60 SW50 M8/M8	1	465
36072-0540	Insulator H60 SW50 M16/M16	1	465
36072-0610	Insulator H70 SW60 M10/M10	1	465
36072-0620	Insulator H70 SW60 M12/M12	1	465
36072-0630	Insulator H70 SW60 M8/M8	1	465
36072-0640	Insulator H70 SW60 M16/16	1	465
36072-0700	Insulator H25 SW36 M6/M6	1	465
36072-0710	Insulator H25 SW36 M8/M8	1	465
36079-0020	Insulator HST25 SW36 M8/M8-10	1	465
36079-0100	Insulator HST30 SW30 M6/M6	1	465
36079-0110	Insulator HST30 SW30 M8/M8	1	465
36079-0120	Insulator HST30 SW30 M10/M10	1	465
36079-0210	Insulator HST50 SW50 M8/M8	1	465
36079-0220	Insulator HST50 SW50 M10/M10	1	465
36079-0240	Insulator HST50 SW50 M12/M12	1	465
36079-0300	Insulator HST35 SW32 M6/M6	1	465
36079-0310	Insulator HST35 SW32 M8/M8	1	465

Order number index

Order number	Designation	UP	Page
36079-0320	Insulator HST35 SW32 M10/M10	1	465
36079-0400	Insulator HST40 SW36 M8/M8	1	465
36079-0410	Insulator HST40 SW36 M10/M10	1	465
36079-0420	Insulator HST40 SW36 M6/M6	1	465
36079-0500	Insulator HST45 SW46 M6/M6	1	465
36079-0510	Insulator HST45 SW46 M8/M8	1	465
36079-0520	Insulator HST45 SW46 M10/M10	1	465
36079-0610	Insulator HST60 SW50 M8/M8	1	465
36079-0620	Insulator HST60 SW50 M10/M10	1	465
36079-0630	Insulator HST60 SW50 M12/M12	1	465
36079-0710	Insulator HST70 SW60 M8/M8	1	465
36079-0720	Insulator HST70 SW60 M10/M10	1	465
36079-0740	Insulator HST70 SW60 M12/M12	1	465
36107-0010	Microswitch for switch position indication	1	138
36115-0010	NH solid link	15	58
36116-0010	Cable clamp for 1 cable, Ø 25 – 38 mm ²	1	464
36116-0020	Cable clamp for 3 cable, Ø 25 – 38 mm ²	1	464
36138-0020	MP terminal unit V2N 300 rm/sm	1	199
36139-0010	NH solid link, insulated gripping lug	12	58
36140-0010	NH solid link, insulated gripping lug	6	58
36141-0010	NH solid link, insulated gripping lug	12	58
36142-0010	NH solid link, insulated gripping lug	6	58
36143-0010	NH solid link, insulated gripping lug	6	58
36144-0010	NH solid link, insulated gripping lug	3	58
36145-0010	Quick-mount kit for 2 supporting rails	1	138
36148-0020	V2N aluminum forged clamp	1	466
36163-0010	Feeding clamp for 25 – 95 mm ² (1 kit = 3 pieces)	1	138
36169-0010	1,5 - 16 mm ²	6	139
36170-0010	16 - 95 mm ²	6	139
36171-0010	für 3 Anschlüsse je Phase bis 16 mm ² , ohne Aderendhülse	3	139
36174-0010	Microswitch	1	138
36197-0010	6 - 25 mm ²	6	139
36198-0010	35 - 150 mm ²	6	139
36199-0010	6 - 25 mm ²	6	139
36200-0010	35 - 240 mm ²	6	139
36247-0010	Microswitch for switch position indication, size 4a, installation on right-hand side	1	143
36248-0010	Microswitch for switch position indication, size 4a, installation on left-hand side	1	143
36298-0010	V2MD clamp for 25 – 300 mm ² se	1	198
36299-0010	PEN-connection with lug, twist-proof, V2 MD clamp, 25 – 300 mm ² se	1	199
36301-0010	Carrier for identification label for NH fuse-switch, vertical design	1	205
36322-0010	Cover for NH fuse-switch, vertical design	1	205
36329-0010	Busbar cover IP20	1	185
36330-0010	1 kit of upper/lower adjustment frames for length adjustment when mounting size 1 – 3.	1	192
36331-0010	Lateral angle bracket for mounting universal sideframes	4	193
36335-0010	Microswitch for switch position indication, 1 NC contact or 1 NO contact, 1 kit = 6 pieces	6	195
36337-0010	E ³ twin adapter for mounting of size 00/100 on busbar systems with 185 mm spacing	1	192
36338-0010	E ³ twin adapter for installation of size 00/60 for 185-mm busbar spacing	1	192
36339-0010	E ³ single adapter for installation of size 00/100 on busbar systems with 185 mm spacing	4	192
36350-0010	Steel captive clamp for retrofitting of multiple-use terminal, 35-240 rm, 35-300 re, 50-300 sm/se	3	198
36351-0010	Steel captive V-clamp, 35-240 rm, 35-300 re, 50-240 sm, 50-300 se	1	199
36353-0010	Steel V-clamp, 35-240 rm, 35-300 re, 50-240 sm, 50-300 se	1	199
36354-0010	Contact hooks for E ³ -NH fuse-switches, vertical design, size 1 – 3 for direct mounting to busbars with a thickness of 5 – 10 mm	3	198
36356-0010	Identification holder, clips to top or bottom	1	197
36356-0020	Identification holder, compl., short, size 2, EFEN	1	197
36356-0030	Identification holder, compl., short, size 3, EFEN	1	197
36360-0010	Multifunctional metering device EM 10 96 x 96 x 60 mm Aux. 110 – 400 V AC	1	362
36361-0010	Plug-in module EM 10, pulsed output	1	362
36361-0020	Plug-in module EM 10, communication	1	362
36362-0010	Multifunctional metering device EM 30 96 x 96 x 60 mm Aux. 110 – 400 V AC	1	362
36362-0020	Multifunctional metering device EM 30 96 x 96 x 60 mm Aux. 12 – 48 V DC	1	362
36363-0010	Plug-in module EM 30, pulsed output	1	362
36363-0030	Plug-in module EM 30, JBUS/MODBUS	1	362
36363-0040	Plug-in module EM 30, Profibus	1	362
36363-0050	Plug-in module EM 30, monitoring/controlling	1	362
36363-0060	Plug-in module EM 30, Ethernet	1	362
36363-0070	Plug-in module EM 30, Ethernet RS485 Gateway	1	362
36363-0080	Plug-in module EM 30, memory module	1	362
36363-0090	Plug-in module EM 30, temperature indicator	1	362
36363-0100	Plug-in module EM 30, analog output	1	362
36364-0010	Control Vision software	1	362
36365-0010	IP65 protection cover	1	362
36366-0010	Pressure plates with contact prism for direct cable-connection, 70 – 150 mm ² , (re, sm, rm)	3	194
36367-0010	Contact hooks for E ³ -NH fuse-switches, vertical design, size 00/185, elevated feed bracket	3	194
36369-0010	Retrofit kit for stud	3	198
36370-0010	Device carrier, low, with 6-pole plug-connection, clamp cross-section 2.5 mm ² , 250 V / 12 A	1	201
36371-0010	Device carrier with DIN adapter	1	202
36372-0010	Device carrier with DIN adapter and 6-pole plug-connection, clamp cross-section 2.5 mm ² , 250 V / 12 A	1	202
36373-0010	Device carrier with DIN adapter and isolation terminal holders, 225 mm long	1	202
36374-0010	Device carrier with 2 DIN adapters and isolation terminal holders	1	201
36375-0010	Microswitch for switch position indication, 1 NC contact or 1 NO contact, 1 kit = 6 pieces	6	200
36377-0010	Pressure plates for direct cable connection, 1.5 – 25 mm ² , (re, sm or flat conductor 16 – 10 mm)	3	194
36378-0010	Pressure plates with contact prism for direct cable-connection, 1.5 – 95 mm ² , (re, sm or flat conductor 16 – 10 mm)	3	194
36379-0010	Window locking system against unauthorized use	3	195
36380-0010	Product identification label for identification holder	1	193
36381-0010	Partition wall for terminal space when using long lugs, 95 mm long	1	196
36382-0010	Clip-on cable holder, mounted on rear side	1	200
36383-0010	Device carrier E ³ , size 1 – 3, long, 72 x 72 mm	1	203
36385-0010	Clip-on device carrier, 135 mm long, 1 cut-out	1	195
36386-0010	Clip-on device carrier, 95 mm long, blanking element	1	195
36387-0010	Clip-on device carrier, 95 mm long, 1 cut-out	1	195

Order number index

Order number	Designation	UP	Page
36388-0010	Clip-on device carrier, 3-phase, 95 mm long	1	195
36390-0010	Sideframe, universal, for E ³ NH fuse-switches, vertical design, length 850 mm	1	196
36391-0010	Identification holder, short, clipping to top or bottom	1	193
36392-0010	1 kit (3 pieces) E ³ hooks, size 00/100/185	3	194
36395-0010	Clip-on device carrier, 1-phase, 95 mm long	1	195
36397-0010	Blanking cover, 50 mm wide –185 mm long	1	192
36398-0010	E ³ twin adapter for height adjustment when mounting size 00/185 next to size 1 – 3	1	192
36400-0010	Terminal cover, short, for use with box clamps	1	193
36401-0010	E ³ terminal cover, long, 00/60/100	1	193
36402-0010	Terminal cover, short, for use with box clamps	1	193
36404-0010	PEN connection with lug, twist-proof, V2 MD-clamp, 25 – 300 mm ²	3	199
36405-0010	Identification holder E ³ , short, neutral	2	197
36407-0010	Clip-on handle cover, red	3	200
36409-0010	Cover mounts directly onto busbar	1	196
36410-0010	Cover with spacer bolts for elevated mounting	1	196
36419-0010	Device carrier, low, with DIN adapter	1	201
36420-0010	Device carrier, low, with isolation terminal holder	1	201
36421-0010	Device carrier with DIN adapter and isolation terminal holders, 352 mm long	1	201
36422-0010	Device carrier E ³ , size 1 – 3, long, 96 x 96 mm	1	203
36423-0010	Device carrier E ³ , size 1 – 3, long, blank	1	203
36424-0010	Device carrier, 97 mm long, cut-out 72 x 96, for flush installation	1	203
36425-0010	Device carrier, 97 mm long, blanking element	1	203
36426-0010	Device carrier, 97 mm, for clip-on metering devices, 1-phase	1	203
36427-0010	Device carrier, 97 mm, for clip-on metering devices, 3-phase	1	203
36428-0010	Device cover, can be trimmed to fit devices of 45 – 90 mm width	1	203
36429-0010	1-phase wiring kit for current transformers, secondary line 2.5 mm ² , black, no. 1 – 6, impulse-withstand voltage 3 kV	1	200
36430-0010	3-phase wiring kit for current transformers, secondary line 2.5 mm ² , black, no. 1 – 6, impulse-withstand voltage 3 kV	1	200
36431-0010	Wiring kit for voltage cut-out	1	200
36434-0010	Sealing kit for device cover 36428-0010	1	204
36435-0010	E ³ terminal cover, extra long	1	196
36437-0010	Device carrier, 120 mm long, blanking element for adjustment	1	203
36438-0010	Terminal cover, short, for V-clamps or steel box clamps	1	196
36440-0010	E ³ twin adapter for mounting of size 00/100 on 185-mm busbar spacing with hook-mounting on busbar	1	192
36444-0010	E ³ connecting kit for 2 x 300 mm ²	1	199
36445-0010	BLANKING COVER E ³ 50/185	1	192
36501-0010	Terminal cover, single-side	1	246
36503-0010	Terminal cover, single-side	1	252
36504-0010	Aux. switch 1 NO / 1 NC in position 1	1	245
36505-0010	Door coupling + shaft extension	1	245
36506-0010	Terminal cover, single-side	1	246
36507-0010	Terminal cover, single-side	1	247
36509-0010	Door coupling + shaft extension	1	245
36515-0010	Door coupling + shaft extension	1	252
36516-0010	Aux. switch 1 NO / 1 NC in position 1	1	245
36538-0010	DKLAD 630	1	245
36540-0010	TKV-WV 200 MM SILA1	1	257
36541-0010	Door coupling + shaft extension	1	245
36551-0010	PRIMARY CONDUCTOR 21 x 12.5 32 LONG	1	319
36552-0010	Secondary terminal cover SKLAD 213-413	1	319
36553-0010	Secondary terminal cover SKLAD 215-415/ 317.1-517.1	1	319
36554-0010	Secondary terminal cover SKLAD 513/613/623/624	1	319
36555-0010	SUPPORTING RAIL / TOP-HAT RAIL ATTACHMENT SBF 5-6/3	1	319
36561-0010	PRIMARY CONDUCTOR 30 x 12.5 32 LONG	1	319
36562-0010	Secondary terminal cover SKLAD 113	1	319
36563-0010	PRIMARY CONDUCTOR 21 x 8.5 32 LONG	1	319
36565-0010	PRIMARY CONDUCTOR 22.5 x 12.5 32 LONG	1	319
36571-0010	Contact hook for busbar mounting of a TPS fuse-switch Size 00 to 250 A	1	143
36573-0010	Terminal cover, single-side	1	245
36584-0010	PRIMARY CONDUCTOR 21 x 12.5 52 LONG	1	319
36586-0010	Terminal cover, both sides	1	245
36587-0010	Terminal cover, single-side	1	245
36588-0010	Terminal cover, single-side	1	252
36589-0010	Terminal cover, single-side	1	248
36591-0010	Terminal cover, single-side	1	248
36593-0010	Aux. switch 1 NO / 1 NC in position 1	1	246
36596-0010	Aux. switch 1 NO / 1 NC in position 1	1	246
36612-0010	Door coupling + shaft extension	1	252
36614-0010	Secondary terminal cover SKLAD PSA 514,614,634,814,1034,1254,1274	1	319
36625-0010	Switch position indicator for pos. 1 and 2	1	255
36628-0010	PRIMARY CONDUCTOR 21 x 8,5 52 LONG, BARE	1	319
36645-0010	Terminal cover, single-side	1	252
36651-0010	Terminal cover, single-side	1	252
36658-0010	Terminal cover, single-side	1	245
36659-0010	Switch position indicator for pos. 1 and 2	1	255
36665-0010	Switch position indicator for pos. 1 and 2	1	255
36680-0010	Door coupling + shaft extension	1	245
36694-0010	Terminal cover, single-side	0	252
36702-0010	BOTTOM TERMINAL COVER, FAM 12-16	1	250
36703-0010	Terminal cover, two sides, DKLAD	1	252
36717-0010	Special NH solid link of size 2 to be used with PSA 113	1	319
36719-0010	Screw terminal M12 x 30, with coiled spring element	3	198
36723-0010	Steel-box V-clamp	1	466
36727-0010	Lateral safety cover, mounted on the device	1	193
36743-0010	Earthing cover E ³ size 1-3 3P AU with cable	1	466
36748-0010	Cover E ³ NH-LE1 00/185	1	205
36749-0010	1 kit of clamps E ³ VST 00 Vk7 95se	3	194
36749-0020	Steel-box V-clamp	1	466
36754-0010	E ³ clamp COMPL., 2 x 95 – 185sm, 1 kit (3 pcs)	1	199
36768-0010	1 kit of clamps E ³ VST 00 Vk7 95se	1	194
36769-0010	MP double-clamp	1	466

Order number index

Order number	Designation	UP	Page
36837-0010	Cover for PV fuse-switch	1	205
36846-0010	Feeding clamp IP2X COMPL. 35 – 240mm	3	199
36846-0040	Feeding clamp IP2X V2MD 240sm / 300mm	1	185
36849-0010	Connecting piece 2 x cover E ³ , 1-3, 3-pole	1	198
36850-0010	Connecting piece 2 x cover E ³ , 1-3, 1-pole	3	198
36851-0010	Terminal kit 2 x E ³ , 1-3 parallel	1	198
36857-0010	Aux. switch 2 NC / 2 NO for FWA	1	245
36887-0010	Microswitch for switch position indication	1	143
36889-0010	Contact cover with microswitch for fuse-monitoring of NH fuse-bases of series 33120...	1	115
36890-0010	Contact hook for busbar mounting of a TPS fuse-switch Size 00 to 600 A	1	143
36892-0010	Terminal cover for low-voltage current transformer block	1	331
36899-0010	Aux. switch 2 NC / 2 NO for FWA	1	245
36906-0010	Neutral pole with clinch nut	1	246
36907-0010	Neutral pole with lug	1	246
36908-0010	Neutral pole with box terminal	1	246
36909-0010	Neutral pole with box terminal	1	247
36910-0010	Neutral pole with lug, 185 mm	1	247
36911-0010	Neutral pole with clinch nut	1	247
36916-0010	Anti-theft screws, size 00 IN (kit)	1	138
36917-0010	TPS solid link for up to 600 A	1	58
36918-0010	TPS solid link for up to 1600 A	1	58
36930-0010	Anti-theft screws, size 1 – 3 IN (kit)	3	138
36931-0010	Contact hooks (for mounting w/o drilling) 1 kit = 3 pieces	3	205
36932-0010	Contact hooks (for mounting w/o drilling) 1 kit = 3 pieces	3	205
36934-0010	6 - 50 mm ²	3	116
36935-0010	Terminal cover	1	141
36936-0010	70 - 150 mm ²	3	116
36937-0010	Quick-mount kit for 2 supporting rails with a spacing of 125 or 150 mm	1	116
36940-0010	Support profile	2	141
36941-0010	Support profile	2	141
36942-0010	70 - 150 mm ²	3	116
36943-0010	120 - 240 mm ²	3	116
36949-0010	Quick-mount kit, narrow variant	1	141
36950-0010	Terminal cover	1	141
36952-0010	Terminal cover	1	141
36953-0010	Retrofit kit (1 kit = 3 pieces)	3	140
36954-0010	Terminal cover, narrow variant for busbar devices	1	141
36959-0010	Microswitch, narrow variant	1	141
36959-0060	Microswitch	1	141
36960-0010	Terminal cover	1	141
36962-0010	Support profile	2	141
36969-0010	Anti-theft screws, size 000, SILAS, narrow variant	3	141
36975-0010	6 - 70 mm ²	3	116
36981-0010	150 - 300 mm ²	3	140
36982-0010	2 x 35 - 70 mm ²	3	116
36983-0010	2 x 70 - 120 mm ²	3	116
36984-0010	2 x 150 - 185 mm ²	3	116
36985-0010	Busbar adapter	1	142
36986-0010	Busbar adapter	1	142
36987-0010	Busbar adapter	1	142
36988-0010	Terminal extension	3	141
36989-0010	Terminal extension	3	141
36990-0010	Terminal extension	3	141
36991-0010	150 - 300 mm ²	3	116
36992-0010	35 - 150 mm ²	3	116
36994-0010	95 - 300 mm ²	3	116
36996-0010	Fuse cover size 00	1	116
36997-0010	120 - 240 mm ²	3	116
38010-0090	Terminal on the rear side	1	190
38010-0110	Terminal on the right-hand side	1	190
38010-0130	Terminal on the left-hand side	1	190
38010-0150	Size 1, 1-pole switching	1	189
38010-0160	Size 1, 3-pole switching	1	183
38015-0000	With V2N terminal (not including clamps)	1	188
38015-0020	With V2N terminal (not including clamps)	1	183
38016-0000	With multiple-use terminal (bolt M12)	1	188
38016-0020	With multiple-use terminal (bolt M12)	1	183
38016-0040	With multiple-use terminal (bolt M12) with elec. fuse mon. (ESÜ)	1	351
38016-0460	With multiple-use terminal (bolt M12)	1	185
38016-0520	E ³ NH-LA-LEI 1 3P IP20 U6	1	185
38016-0600	With multiple-use terminal (bolt M12)	1	188
38020-0090	Terminal on the rear side	1	190
38020-0110	Terminal on the right-hand side	1	190
38020-0130	Terminal on the left-hand side	1	190
38020-0150	Size 2, 1-pole switching	1	189
38020-0160	Size 2, 3-pole switching	1	183
38025-0000	With V2N terminal (not including clamps)	1	188
38025-0020	With V2N terminal (not including clamps)	1	183
38026-0000	With multiple-use terminal (bolt M12)	1	188
38026-0020	With multiple-use terminal (bolt M12)	1	183
38026-0040	With multiple-use terminal (bolt M12) with elec. fuse mon. (ESÜ)	1	351
38026-0460	With multiple-use terminal (bolt M12)	1	185
38026-0520	E ³ NH-LA-LEI 2 3P IP20 U6	1	185
38026-0600	With multiple-use terminal (bolt M12)	1	188
38030-0090	Terminal on the rear side	1	190
38030-0110	Terminal on the right-hand side	1	190
38030-0130	Terminal on the left-hand side	1	190
38030-0150	Size 3, 1-pole switching	1	189
38030-0160	Size 3, 3-pole switching	1	183
38030-0210	Fuse-switch, vertical design, with integrated solid-link, for busbar isolation, internal terminal	1	190

Order number index

Order number	Designation	UP	Page
38030-0220	Incoming switch with integrated solid-link, for busbar isolation, internal terminal	1	184
38030-0230	Fuse-switch, vertical design, with integrated solid-link, terminal supported on left-hand side	1	190
38030-0240	Incoming switch with integrated solid-link, for busbar isolation, terminal on the right-hand side, for current transformer installation	1	184
38030-0350	Coupling unit, supported on left-hand side	1	185
38035-0000	With V2N terminal (not including clamps)	1	188
38035-0020	With V2N terminal (not including clamps)	1	183
38036-0000	With multiple-use terminal (bolt M12)	1	188
38036-0020	With multiple-use terminal (bolt M12)	1	183
38036-0040	With multiple-use terminal (bolt M12) with elec. fuse mon. (ESÜ)	1	351
38036-0080	Feed switch 1000 A with fixed solid-link	1	184
38036-0170	E ³ -NH fuse-switch, vertical design, for parallel operation of 2 NH fuse-switches (twinning kit), terminal M12	1	189
38036-0180	E ³ -NH fuse-switch, vertical design, for parallel operation of 2 NH fuse-switches (twinning kit), terminal M12	1	184
38036-0290	Parallel switch with integrated solid-link, multiple-use terminal (bolt M12)	1	190
38036-0300	Multiple-use terminal (bolt M12)	1	185
38036-0460	With multiple-use terminal (bolt M12)	1	185
38036-0520	E ³ NH-LA-LEI 3 3P IP20 U6	1	185
38036-0600	With multiple-use terminal (bolt M12)	1	188
38044-0020	With multiple-use terminal (bolt M8)	1	182
38044-0030	Size 00/60, 3-pole switching, with multiple-use terminal (screw M8), hook-contacting	1	351
38046-0020	With box clamp 95 mm ²	1	182
38046-0030	Size 00/60, 3-pole switching, with box clamp 95 mm ² , hook-contacting	1	351
38054-0000	With multiple-use terminal (bolt M8), for hook-mounting, hook included	1	187
38054-0020	With multiple-use terminal (bolt M8), for hook-mounting, hook included	1	182
38054-0030	Size 00/100, 3-pole switching, with multiple-use terminal (screw M8), hook-contacting	1	351
38054-0040	With multiple-use terminal (bolt M8), for transformer installation	1	187
38054-0050	With multiple-use terminal (bolt M8), for transformer installation	1	182
38056-0020	With box clamp 95 mm ² , for hook-mounting, hooks included	1	182
38056-0030	Size 00/100, 3-pole switching, with box clamp 95 mm ² , hook-contacting	1	351
38056-0040	With box clamp 95 mm ² , for transformer installation	1	187
38056-0050	With box clamp 95 mm ² , for transformer installation	1	182
38056-2000	With box clamp 95 mm ² , for hook-mounting, hooks included	1	187
38064-0000	With multiple-use terminal (bolt M8), for hook-mounting	1	187
38064-0020	With multiple-use terminal (bolt M8), for hook-mounting	1	183
38064-0060	With multiple-use terminal (bolt M8), elevated feed bracket adjacent to size 1 – 3	1	187
38064-0070	With multiple-use terminal (bolt M8), elevated feed bracket adjacent to size 1 – 3	1	183
38064-0080	With multiple-use terminal (bolt M8), with elevated feed bracket for direct mounting adjacent to size 1 – 3	1	187
38064-0090	With multiple-use terminal (bolt M8), elevated feed bracket adjacent to size 1 – 3	1	183
38064-0500	E ³ NH-LA-LEI 00/185 1P Bh IP20 U5	1	185
38064-0520	E ³ NH-LA-Lei 00/185 3P Bh IP20 U5	1	185
38065-0001	With V2 terminal (not including clamps)	1	187
38065-0021	V-terminal (not including V-clamps)	1	183
38066-0000	With box clamp 95 mm ² , for hook-mounting	1	187
38066-0020	With box clamp 95 mm ² , for hook-mounting	1	183
38066-0060	With box clamp 95 mm ² , with elevated feed bracket for direct mounting adjacent to size 1 – 3	1	187
38066-0070	With box clamp 95 mm ² , with elevated feed bracket for direct mounting adjacent to size 1 – 3	1	183
38066-0080	With box clamp 95 mm ² , with elevated feed bracket for direct mounting adjacent to size 1 – 3, ready for PSR 203 transformer installation	1	187
38066-0090	With box clamp 95 mm ² , with elevated feed bracket for direct mounting adjacent to size 1 – 3, ready for PSR 203 transformer installation	1	183
38070-0670	Screw terminal 3 x 185 mm ²	1	183
38070-0720	Screw terminal M12 rear side, horizontal	1	189
38070-0730	Screw terminal M12 rear, horizontal	1	183
38070-0760	Special screw terminal M16 and M12	1	189
38070-0770	Special screw terminal M16 and M12	1	183
38070-0780	Screw terminal M12	1	189
38070-0790	Screw terminal M12	1	183
38070-0830	Screw terminal M16, rear side, elevated bracket	1	189
38077-0820	Screw terminal rear side, upper left-hand side	1	189
38300-1235	Screw terminal M12, bottom terminal, 1-pole switching	1	189
38300-1275	Screw terminal M12, bottom terminal, 3-pole switching	1	186
38350-1235	Screw terminal M12, top terminal, 1-pole switching	1	189
38350-1275	Screw terminal M12, top terminal, 3-pole switching	1	186
38350-1595	Special terminal for 60-mm busbars, top terminal, 3-pole switching	1	186
38374-1465	Screw terminal M12, rear terminal, 1-pole switching	1	189
38374-1495	Screw terminal M12, rear terminal, 3-pole switching	1	186
38400-0000	Bottom terminals, screw terminal M16	1	189
38400-0020	Bottom terminals, screw terminal 2 x M12	1	189
38400-0260	Coupling unit, 1 pole switching, terminal at the front left-hand side of busbar	1	190
38450-0000	Top terminals, screw terminal M16	1	189
38450-0020	Top terminals, screw terminal 2 x M12	1	189
38550-0020	Screw terminal M8, 100 mm busbar spacing	1	191
38570-0020	Multiple-use terminal (bolt M8), 185 mm busbar spacing	3	191
38575-0600	V2N terminal, including V-clamps 35-240 sm/35-300 se, 185 mm busbar spacing	2	191
38662-0000	Stud M12 x 30	1	190
38664-0000	Clinch nut M12	1	190
38665-0000	V-terminal (not including clamp)	1	190
38665-0470	V2N terminal (not including clamp)	1	190
38765-0001	with V2 terminal (not including clamps)	1	191
38864-0020	Clinch nut M12, EDURO series	1	191
38865-0020	V2N terminal (not including V-clamps), EDURO series	1	191
38954-0030	for applications up to 1200 V DC, suitable for NH fuses of size 2XL and 3L	1	191
38954-0140	Clinch nut M12	1	191
38955-0020	V2N terminal (not including clamp)	1	191
39000-0007	Box clamp 2.5 – 50 mm ² , bottom terminal, narrow variant – 53 mm	1	130
39000-0137	Box clamp 2.5 – 50 mm ² , bottom terminal	1	339
39001-0007	Box clamp 2.5 – 50 mm ² , top terminal, narrow variant – 53 mm	1	130
39010-0007	Box clamp 2.5 – 50 mm ² , bottom terminal, narrow variant – 53 mm	1	131
39010-0137	Box clamp 2.5 – 50 mm ² , bottom terminal	1	340
39011-0007	Box clamp 2.5 – 50 mm ² , top terminal, narrow variant – 53 mm	1	131
39011-0137	Box clamp 2.5 – 50 mm ² , top terminal	1	340
39020-0000	Box clamp 2.5 – 95 mm ²	1	130
39020-0030	Box clamp 2.5 – 95 mm ²	1	339

Order number index

Order number	Designation	UP	Page
39020-0130	Box clamp 2.5 – 95 mm ²	1	339
39021-0000	Multiple-use terminal (bolt M8)	1	130
39021-0030	Multiple-use terminal (bolt M8)	1	339
39021-0130	Multiple-use terminal (bolt M8)	1	339
39040-0000	Box clamp 2.5 – 95 mm ²	1	131
39040-0130	Box clamp 2.5 – 95 mm ²	1	340
39050-0000	Box clamp 2.5 – 95 mm ²	1	131
39050-0030	Box clamp 2.5 – 95 mm ²	1	340
39050-0130	Box clamp 2.5 – 95 mm ²	1	340
39052-0000	Multiple-use terminal (bolt M8)	1	131
39052-0030	Multiple-use terminal (bolt M8)	1	340
39052-0130	Multiple-use terminal (bolt M8)	1	340
39060-0000	Multiple-use terminal (bolt M10)	1	130
39060-0030	Multiple-use terminal (bolt M10)	1	339
39060-0130	Multiple-use terminal (bolt M10)	1	339
39061-0000	Box clamp 35 – 150 mm ²	1	130
39061-0030	Box clamp 35 – 150 mm ²	1	339
39061-0130	Box clamp 35 – 150 mm ²	1	339
39064-0000	Multiple-use terminal (bolt M10)	1	131
39064-0030	Multiple-use terminal (bolt M10)	1	340
39064-0130	Multiple-use terminal (bolt M10)	1	340
39068-0000	Box clamp 35 – 150 mm ²	1	131
39068-0030	Box clamp 35 – 150 mm ²	1	340
39068-0130	Box clamp 35 – 150 mm ²	1	340
39070-0000	Multiple-use terminal (bolt M10)	1	131
39070-0030	Multiple-use terminal (bolt M10)	1	340
39070-0130	Multiple-use terminal (bolt M10)	1	340
39074-0000	Box clamp 95 – 300 mm ²	1	131
39074-0030	Box clamp 95 – 300 mm ²	1	340
39074-0130	Box clamp 95 – 300 mm ²	1	340
39078-0000	Multiple-use terminal (bolt M10)	1	130
39078-0030	Multiple-use terminal (bolt M10)	1	339
39078-0130	Multiple-use terminal (bolt M10)	1	339
39079-0000	Box clamp 95 – 300 mm ²	1	130
39079-0030	Box clamp 95 – 300 mm ²	1	339
39079-0130	Box clamp 95 – 300 mm ²	1	339
39080-0000	Multiple-use terminal (bolt M10)	1	131
39080-0030	Multiple-use terminal (bolt M10)	1	340
39080-0130	Multiple-use terminal (bolt M10)	1	340
39084-0000	Box clamp 95 – 300 mm ²	1	131
39084-0030	Box clamp 95 – 300 mm ²	1	340
39084-0130	Box clamp 95 – 300 mm ²	1	340
39086-0000	Multiple-use terminal (bolt M10)	1	131
39087-0000	Multiple-use terminal (bolt M10)	1	131
39212-5000	Multiple-use terminal (bolt M10)	1	132
39222-5000	Multiple-use terminal (bolt M10)	1	132
39232-5000	Multiple-use terminal (bolt M10)	1	132
4			
45071-0100	Connecting frame for parallel operation of 2 TPS fuse-switches	1	143
45149-0200	Terminal cover, two sides, DKLAD	1	252
5			
55000-0020	D-SI E16 2A F	20	62
55000-0040	D-SI E16 4A F	20	62
55000-0060	D-SI E16 6A F	20	62
55000-0100	D-SI E16 10A F	20	62
55000-0160	D-SI E16 16A F	20	62
55000-0200	D-SI E16 20A F	20	62
55000-0250	D-SI E16 25A F	20	62
55001-0020	A D-SI E16 2A T	20	62
55001-0040	A D-SI E16 4A T	20	62
55001-0060	A D-SI E16 6A T	20	62
55001-0100	A D-SI E16 10A T	20	62
55001-0160	A D-SI E16 16A T	20	62
55001-0200	A D-SI E16 20A T	20	62
55001-0250	A D-SI E16 25A T	20	62
55015-0020	D-SI DII E27 2A gG	100	62
55015-0100	D-SI DII E27 10A gG	100	62
55015-0160	D-SI DII E27 16A gG	100	62
55015-0200	D-SI DII E27 20A gG	100	62
55015-0250	D-SI DII E27 25A gG	100	62
55016-0350	D-SI DIII E33 35A gG	100	62
55016-0500	D-SI DIII E33 50A gG	100	62
55016-0630	D-SI DIII E33 63A gG	100	62
55021-0020	D-SI D01 E14 2A gG	10	62
55021-0040	D-SI D01 E14 4A gG	10	62
55021-0060	D-SI D01 E14 6A gG	10	62
55021-0100	D-SI D01 E14 10A gG	10	62
55021-0160	D-SI D01 E14 16A gG	10	62
55022-0200	D-SI D02 E18 20A gG	10	62
55022-0250	D-SI D02 E18 25A gG	10	62
55022-0320	D-SI D02 E18 32A gG	10	62
55022-0350	D-SI D02 E18 35A gG	10	62
55022-0400	D-SI D02 E18 40A gG	10	62
55022-0500	D-SI D02 E18 50A gG	10	62
55022-0630	D-SI D02 E18 63A gG	10	62
55030-0010	SI-10x38 gPV 1000V DC 1A	10	70
55030-0020	SI-10x38 gPV 1000V DC 2A	10	70
55030-0030	SI-10x38 gPV 1000V DC 3A	10	70

Order number index

Order number	Designation	UP	Page
55030-0040	SI-10x38 gPV 1000V DC 4A	10	70
55030-0050	SI-10x38 gPV 1000V DC 5A	10	70
55030-0060	SI-10x38 gPV 1000V DC 6A	10	70
55030-0080	SI-10x38 gPV 1000V DC 8A	10	70
55030-0100	SI-10x38 gPV 1000V DC 10A	10	70
55030-0120	SI-10x38 gPV 1000V DC 12A	10	70
55030-0150	SI-10x38 gPV 1000V DC 15A	10	70
55030-0160	SI-10x38 gPV 1000V DC 16A	10	70
55030-0200	SI-10x38 gPV 1000V DC 20A	10	70
55030-0250	SI-10x38 gPV 600V DC 25A	10	70
55030-0320	SI-10x38 gPV 600V DC 32A	10	70
56000-0010	D-SOCK E16	10	266
56000-0030	D-SOCK E16 RU	10	266
56000-0050	D-SOCK E16 RU PL	10	266
56001-0010	A D-SOCK E27 DII	10	266
56001-0030	A D-SOCK E27 DII RU	10	266
56002-0010	A D-SOCK E33 DIII	1	266
56002-0020	A D-SOCK E33 DIII RU	1	266
56010-0020	D-SOCK E33 DIII 1200V RU	1	267
56015-0010	D-SOCK D01 16A 1P AS	100	267
56015-0020	D-SOCK D01 16A 1P AS, W/O CAP AND SPRING	0	267
56016-0010	D-SOCK D02 63A 1P S/S	100	267
56016-0020	D-SOCK D02 63A 1P SR/S	100	267
56016-0030	D-SOCK D02 63A 1P S/-, W/O CAP AND SPRING	0	267
56018-0010	D-SOCK D01 16A 3P AS	100	267
56019-0010	D-SOCK D02 63A 3P S/S	100	267
56020-0010	D-SOCK D03 100 A 3P S/S	100	267
56023-0010	D-SOCK D01 16A 3P SIS	0	267
56025-0010	D0-SI-LATR 1P SLT/D02/D01	12	266
56025-0020	D0-SI-LATR 2P SLT/D02/D01	6	266
56025-0030	D0-SI-LATR 3P SLT/D02/D01	4	266
56025-0040	D0-SI-LATR 4P SLT/D02/D01	3	266
56025-0050	D0-SI-LATR 1P+N SLT/D02/D01	6	266
56025-0060	D0-SI-LATR 3P+N SLT/D02/D01	3	266
56025-0900	D0 REDUCTION SPRING SLT D01 in D02	12	267
56040-0010	D-LA-LEI 3P 60mm D01/02 10x38	3	266
56040-0020	D-LA-LEI 3P+N 60mm D01/02 10x38	3	266
56040-0900	D-LA-LEI protection against contact 37,5 mm	10	267
56040-0910	D-LA-LEI cover / fuse holder VE3	3	267
56041-0010	D-LA-LEI 3P K 60mm D01/02	4	266
56041-0900	Cable routing spacer D-LA-LEI 3P K	40	267
56518-0010	D-SOCK E18 SB 3P, w/o cover	10	267
56518-0110	D-SOCK E18 SB 3P, 27-mm cover	10	267
56518-0210	D-SOCK E18 SB 3P, 36-mm cover	10	267
56518-0310	D-SOCK E18 SB 3P, 54-mm cover	10	267
56527-0010	D-SOCK E27 SB 3P	10	267
56533-0010	D-SOCK E33 SB 3P	10	267
58002-0020	D-type ceramic gauge ring insert E16 2A	100	63
58002-0040	D-type ceramic gauge ring insert E16 4A	100	63
58002-0060	D-type ceramic gauge ring insert E16 6A	100	63
58002-0100	D-type ceramic gauge ring insert E16 10A	100	63
58002-0160	D-type ceramic gauge ring insert E16 16A	100	63
58003-0020	D-type ceramic gauge ring E27 DII 2A	100	63
58003-0040	D-type ceramic gauge ring E27 DII 4A	100	63
58003-0060	D-type ceramic gauge ring E27 DII 6A	100	63
58003-0100	D-type ceramic gauge ring E27 DII 10A	100	63
58003-0160	D-type ceramic gauge ring E27 DII 16A	100	63
58003-0200	D-type ceramic gauge ring E27 DII 20A	100	63
58003-0250	D-TYPE CERAMIC GAUGE RING E27 DII 25A	50	63
58004-0020	D-type ceramic gauge ring E33 DIII 2A	50	63
58004-0040	D-type ceramic gauge ring E33 DIII 4A	50	63
58004-0060	D-type ceramic gauge ring E33 DIII 6A	50	63
58004-0100	D-type ceramic gauge ring E33 DIII 10A	50	63
58004-0160	D-type ceramic gauge ring E33 DIII 16A	50	63
58004-0200	D-type ceramic gauge ring E33 DIII 20A	50	63
58004-0250	D-type ceramic gauge ring E33 DIII 25A	50	63
58004-0350	D-type ceramic gauge ring E33 DIII 35A	50	63
58004-0500	D-type ceramic gauge ring E33 DIII 50A	50	63
58004-0630	D-type ceramic gauge ring E33 DIII 63A	50	63
58005-0020	D-type gauge piece D01 E14 PH01 2A	100	64
58005-0040	D-type gauge piece D01 E14 PH01 4A	100	64
58005-0060	D-type gauge piece D01 E14 PH01 6A	100	64
58005-0100	D-type gauge piece D01 E14 PH01 10A	100	64
58006-0040	D-type gauge piece D01 E18 PH02 4A	100	64
58006-0060	D-type gauge piece D01 E18 PH02 6A	100	64
58006-0100	D-type gauge piece D01 E18 PH02 10A	100	64
58006-0160	D-type gauge piece D01 E18 PH02 16A	100	64
58006-0200	D-type gauge piece D01 E18 PH02 20A	100	64
58006-0250	D-type gauge piece D01 E18 PH02 25A	100	64
58006-0350	D-type gauge piece D01 E18 PH02 35A	100	64
58006-0500	D-type gauge piece D01 E18 PH02 50A	100	64
58008-0010	Key for D-type gauge pieces D01 - D02	1	65
58015-0010	D0-type retaining spring D01 in K02	100	65
58020-0200	D-type screw gauge piece E27 20A	100	64
58020-0250	D-type screw gauge piece E27 25A	100	64
58020-3040	D-type screw gauge piece E27 4A	100	64
58020-3060	D-type screw gauge piece E27 6A	100	64
58020-3100	D-type screw gauge piece E27 10A	100	64
58020-3160	D-type screw gauge piece E27 16A	100	64
58020-3200	D-type screw gauge piece E27 20A	100	64

Order number index

Order number	Designation	UP	Page
58020-3250	D-type screw gauge piece E27 25A	100	64
58021-3350	D-type screw gauge piece E33 35A	100	64
58021-3500	D-type screw gauge piece E33 50A	100	64
58021-3630	D-type screw gauge piece E33 63A	100	64
6			
67004-0010	HH-SI 6/12KV 1A FC TB 442/56	1	81
67004-0020	HH-SI 6/12KV 2A FC TB 442/56	1	81
67004-0040	HH-SI 6/12KV 4A FC TB 442/56	1	81
67004-0060	HH-SI 6/12KV 6,3A FC TB 442/56	1	81
67004-0100	HH-SI 6/12KV 10A FC TB 442/56	1	81
67004-0109	HH-SI 6/12KV 10A FC TB 442/56 ÜLA	1	81
67004-0160	HH-SI 6/12KV 16A FC TB 442/56	1	81
67004-0169	HH-SI 6/12KV 16A FC TB 442/56 ÜLA	1	81
67004-0200	HH-SI 6/12KV 20A FC TB 442/56	1	81
67004-0209	HH-SI 6/12KV 20A FC TB 442/56 ÜLA	1	81
67004-0250	HH-SI 6/12KV 25A FC TB 442/56	1	81
67004-0259	HH-SI 6/12KV 25A FC TB 442/56 ÜLA	1	81
67004-0320	HH-SI 6/12KV 31,5A FC TB 442/56	1	81
67004-0329	HH-SI 6/12KV 31,5A FC TB 442/56 ÜLA	1	81
67004-0400	HH-SI 6/12KV 40A FC TB 442/56	1	81
67004-0409	HH-SI 6/12KV 40A FC TB 442/56 ÜLA	1	81
67004-0500	HH-SI 6/12KV 50A FC TB 442/56	1	81
67004-0509	HH-SI 6/12KV 50A FC TB 442/56 ÜLA	1	81
67004-0630	HH-SI 6/12KV 63A FC TB 442/56	1	81
67004-0639	HH-SI 6/12KV 63A FC TB 442/56 ÜLA	1	81
67004-0800	HH-SI 6/12KV 80A FC TB 442/65	1	81
67004-0809	HH-SI 6/12KV 80A FC TB 442/65 ÜLA	1	81
67004-1000	HH-SI 6/12KV 100A FC TB 442/65	1	81
67004-1009	HH-SI 6/12KV 100A FC TB 442/65 ÜLA	1	81
67004-1250	HH-SI 6/12KV 125A FC TB 442/88	1	81
67004-1259	HH-SI 6/12KV 125A FC TB 442/88 ÜLA	1	81
67004-1600	HH-SI 6/12KV 160A FC TB 442/88	1	81
67004-1609	HH-SI 6/12KV 160A FC TB 442/88 ÜLA	1	81
67004-2000	HH-SI 6/12KV 200A FC TB 442/88	1	81
67033-0003	Solid link 292/51	1	83
67034-0003	Solid link 442/51	1	83
67036-0003	Without indicator	1	82
67036-0004	With indicator	1	82
67037-0003	Without indicator	1	82
67037-0004	With indicator	1	82
67088-0003	Without indicator	1	82
67110-0060	HH-SI 3/7,2KV 6,3A FC TA 192/56	1	76
67110-0100	HH-SI 3/7,2KV 10A FC TA 192/56	1	76
67110-0160	HH-SI 3/7,2KV 16A FC TA 192/56	1	76
67110-0200	HH-SI 3/7,2KV 20A FC TA 192/56	1	76
67110-0250	HH-SI 3/7,2KV 25A FC TA 192/56	1	76
67110-0320	HH-SI 3/7,2KV 31,5A FC TA 192/56	1	76
67110-0400	HH-SI 3/7,2KV 40A FC TA 192/56	1	76
67110-0500	HH-SI 3/7,2KV 50A FC TA 192/56	1	76
67110-0630	HH-SI 3/7,2KV 63A FC TA 192/65	1	76
67110-0800	HH-SI 3/7,2KV 80A FC TA 192/65	1	76
67110-1000	HH-SI 3/7,2KV 100A FC TA 192/78	1	76
67110-1250	HH-SI 3/7,2KV 125A FC TA 192/88	1	76
67110-1600	HH-SI 3/7,2KV 160A FC TA 192/88	1	76
67120-0060	HH-SI 6/12KV 6,3A FC TA 292/56	1	76
67120-0100	HH-SI 6/12KV 10A FC TA 292/56	1	76
67120-0160	HH-SI 6/12KV 16A FC TA 292/56	1	76
67120-0200	HH-SI 6/12KV 20A FC TA 292/56	1	76
67120-0250	HH-SI 6/12KV 25A FC TA 292/56	1	76
67120-0320	HH-SI 6/12KV 31,5A FC TA 292/56	1	76
67120-0400	HH-SI 6/12KV 40A FC TA 292/56	1	76
67120-0500	HH-SI 6/12KV 50A FC TA 292/56	1	76
67120-0630	HH-SI 6/12KV 63A FC TA 292/65	1	76
67120-0800	HH-SI 6/12KV 80A FC TA 292/65	1	76
67120-1000	HH-SI 6/12KV 100A FC TA 292/78	1	76
67120-1250	HH-SI 6/12KV 125A FC TA 292/88	1	76
67120-1600	HH-SI 6/12KV 160A FC TA 292/88	1	76
67130-0060	HH-SI 10/17,5KV 6,3A FC TA 367/56	1	76
67130-0100	HH-SI 10/17,5KV 10A FC TA 367/56	1	76
67130-0160	HH-SI 10/17,5KV 16A FC TA 367/56	1	76
67130-0200	HH-SI 10/17,5KV 20A FC TA 367/56	1	76
67130-0250	HH-SI 10/17,5KV 25A FC TA 367/56	1	76
67130-0300	HH-SI 10/17,5KV 30A FC TB 367/56	1	76
67130-0320	HH-SI 10/17,5KV 31,5A FC TA 367/56	1	76
67130-0400	HH-SI 10/17,5KV 40A FC TA 367/56	1	76
67130-0500	HH-SI 10/17,5KV 50A FC TA 367/78	1	76
67130-0630	HH-SI 10/17,5KV 63A FC TA 367/78	1	76
67130-0800	HH-SI 10/17,5KV 80A FC TA 367/78	1	76
67130-1000	HH-SI 10/17,5KV 100A FC TA 367/88	1	76
67140-0060	HH-SI 10/24KV 6,3A FC TA 442/56	1	76
67140-0100	HH-SI 10/24KV 10A FC TA 442/56	1	76
67140-0160	HH-SI 10/24KV 16A FC TA 442/56	1	76
67140-0200	HH-SI 10/24KV 20A FC TA 442/56	1	76
67140-0250	HH-SI 10/24KV 25A FC TA 442/56	1	76
67140-0320	HH-SI 10/24KV 31,5A FC TA 442/56	1	76
67140-0400	HH-SI 10/24KV 40A FC TA 442/56	1	76
67140-0500	HH-SI 10/24KV 50A FC TA 442/65	1	76
67140-0630	HH-SI 10/24KV 63A FC TA 442/65	1	76
67140-0800	HH-SI 10/24KV 80A FC TA 442/65	1	76

Order number index

Order number	Designation	UP	Page
67140-1000	HH-SI 10/24KV 100A FC TA 442/88	1	76
67150-0060	HH-SI 20/36KV 6,3A FC TA 537/56	1	77
67150-0100	HH-SI 20/36KV 10A FC TA 537/56	1	77
67150-0160	HH-SI 20/36KV 16A FC TA 537/56	1	77
67150-0200	HH-SI 20/36KV 20A FC TA 537/56	1	77
67150-0250	HH-SI 20/36KV 25A FC TA 537/56	1	77
67150-0320	HH-SI 20/36KV 31,5A FC TA 537/65	1	77
67150-0400	HH-SI 20/36KV 40A FC TA 537/65	1	77
67150-0500	HH-SI 20/36KV 50A FC TA 537/88	1	77
67150-0630	HH-SI 20/36KV 63A FC TA 537/88	1	77
67210-0020	HH-SI 3/7,2KV 2A FC TB 192/56	1	79
67210-0040	HH-SI 3/7,2KV 4A FC TB 192/56	1	79
67210-0630	HH-SI 3/7,2KV 63A FC TB 192/65	1	79
67210-0800	HH-SI 3/7,2KV 80A FC TB 192/65	1	79
67210-1000	HH-SI 3/7,2KV 100A FC TB 192/65	1	79
67210-1600	HH-SI 3/7,2KV 160A FC TB 192/88	1	79
67210-2000	HH-SI 3/7,2KV 200A FC TB 192/88	1	79
67220-0010	HH-SI 6/12KV 1A FC TB 292/56	1	79
67220-0019	HH-SI 6/12KV 1A FC TB ÜLA 292/56	1	80
67220-0020	HH-SI 6/12KV 2A FC TB 292/56	1	79
67220-0029	HH-SI 6/12KV 2A FC TB ÜLA 292/56	1	80
67220-0040	HH-SI 6/12KV 4A FC TB 292/56	1	79
67220-0049	HH-SI 6/12KV 4A FC TB ÜLA 292/56	1	80
67220-0060	HH-SI 6/12KV 6,3A FC TB 292/56	1	79
67220-0069	HH-SI 6/12KV 6,3A FC TB ÜLA 292/56	1	80
67220-0100	HH-SI 6/12KV 10A FC TB 292/56	1	79
67220-0109	HH-SI 6/12KV 10A FC TB ÜLA 292/56	1	80
67220-0160	HH-SI 6/12KV 16A FC TB 292/56	1	79
67220-0169	HH-SI 6/12KV 16A FC TB ÜLA 292/56	1	80
67220-0200	HH-SI 6/12KV 20A FC TB 292/56	1	79
67220-0209	HH-SI 6/12KV 20A FC TB ÜLA 292/56	1	80
67220-0250	HH-SI 6/12KV 25A FC TB 292/56	1	79
67220-0259	HH-SI 6/12KV 25A FC TB ÜLA 292/56	1	80
67220-0320	HH-SI 6/12KV 31,5A FC TB 292/56	1	79
67220-0329	HH-SI 6/12KV 31,5A FC TB ÜLA 292/56	1	80
67220-0400	HH-SI 6/12KV 40A FC TB 292/56	1	79
67220-0409	HH-SI 6/12KV 40A FC TB ÜLA 292/56	1	80
67220-0500	HH-SI 6/12KV 50A FC TB 292/56	1	79
67220-0509	HH-SI 6/12KV 50A FC TB ÜLA 292/56	1	80
67220-0630	HH-SI 6/12KV 63A FC TB 292/56	1	79
67220-0639	HH-SI 6/12KV 63A FC TB ÜLA 292/56	1	80
67220-0800	HH-SI 6/12KV 80A FC TB 292/65	1	79
67220-0809	HH-SI 6/12KV 80A FC TB ÜLA 292/65	1	80
67220-1000	HH-SI 6/12KV 100A FC TB 292/65	1	79
67220-1009	HH-SI 6/12KV 100A FC TB ÜLA 292/65	1	80
67220-1250	HH-SI 6/12KV 125A FC TB 292/88	1	79
67220-1259	HH-SI 6/12KV 125A FC TB ÜLA 292/88	1	80
67220-1600	HH-SI 6/12KV 160A FC TB 292/88	1	79
67220-1609	HH-SI 6/12KV 160A FC TB ÜLA 292/88	1	80
67220-2000	HH-SI 6/12KV 200A FC TB 292/88	1	79
67220-2009	HH-SI 6/12KV 200A FC TB ÜLA 292/88	1	80
67220-2500	HH-SI 6/12KV 250A FC TB 292/88	1	79
67230-0020	HH-SI 10/17,5KV 2A FC TB 367/56	1	79
67230-0040	HH-SI 10/17,5KV 4A FC TB 367/56	1	79
67230-0500	HH-SI 10/17,5KV 50A FC TB 367/65	1	79
67230-0630	HH-SI 10/17,5KV 63A FC TB 367/65	1	79
67230-0800	HH-SI 10/17,5KV 80A FC TB 367/65	1	79
67230-1000	HH-SI 10/17,5KV 100A FC TB 367/65	1	79
67240-0010	HH-SI 10/24KV 1A FC TB 442/56	1	79
67240-0019	HH-SI 10/24KV 1A FC TB ÜLA 442/56	1	80
67240-0020	HH-SI 10/24KV 2A FC TB 442/56	1	79
67240-0029	HH-SI 10/24KV 2A FC TB ÜLA 442/56	1	80
67240-0040	HH-SI 10/24KV 4A FC TB 442/56	1	79
67240-0049	HH-SI 10/24KV 4A FC TB ÜLA 442/56	1	80
67240-0060	HH-SI 10/24KV 6,3A FC TB 442/56	1	79
67240-0069	HH-SI 10/24KV 6,3A FC TB ÜLA 442/56	1	80
67240-0100	HH-SI 10/24KV 10A FC TB 442/56	1	79
67240-0109	HH-SI 10/24KV 10A FC TB ÜLA 442/56	1	80
67240-0160	HH-SI 10/24KV 16A FC TB 442/56	1	79
67240-0169	HH-SI 10/24KV 16A FC TB ÜLA 442/56	1	80
67240-0200	HH-SI 10/24KV 20A FC TB 442/56	1	79
67240-0209	HH-SI 10/24KV 20A FC TB ÜLA 442/56	1	80
67240-0250	HH-SI 10/24KV 25A FC TB 442/56	1	79
67240-0259	HH-SI 10/24KV 25A FC TB ÜLA 442/56	1	80
67240-0320	HH-SI 10/24KV 31,5A FC TB 442/56	1	79
67240-0329	HH-SI 10/24KV 31,5A FC TB ÜLA 442/56	1	80
67240-0400	HH-SI 10/24KV 40A FC TB 442/56	1	79
67240-0409	HH-SI 10/24KV 40A FC TB ÜLA 442/56	1	80
67240-0500	HH-SI 10/24KV 50A FC TB 442/56	1	79
67240-0509	HH-SI 10/24KV 50A FC TB ÜLA 442/56	1	80
67240-0630	HH-SI 10/24KV 63A FC TB 442/65	1	79
67240-0639	HH-SI 10/24KV 63A FC TB ÜLA 442/56	1	80
67240-0800	HH-SI 10/24KV 80A FC TB 442/65	1	79
67240-0809	HH-SI 10/24KV 80A FC TB ÜLA 442/65	1	80
67240-1000	HH-SI 10/24KV 100A FC TB 442/78	1	79
67240-1009	HH-SI 10/24KV 100A FC TB ÜLA 442/78	1	80
67240-1250	HH-SI 10/24KV 125A FC TB 442/88	1	79
67240-1600	HH-SI 10/24KV 160A FC TB 442/88	1	79
67250-0020	HH-SI 20/36KV 2A FC TB 537/56	1	79
67250-0040	HH-SI 20/36KV 4A FC TB 537/56	1	79

Order number index

Order number	Designation	UP	Page
67420-0060	HH-SI 6/12KV 6,3A FC VB 292/65	1	78
67420-0160	HH-SI 6/12KV 16A FC VB 292/65	1	78
67420-0250	HH-SI 6/12KV 25A FC VB 292/65	1	78
67420-0400	HH-SI 6/12KV 40A FC VB 292/78	1	78
67420-0500	HH-SI 6/12KV 50A FC VB 292/88	1	78
67440-0040	HH-SI 10/24KV 4A FC VB 442/78	1	78
67440-0060	HH-SI 10/24KV 6,3A FC VB 442/78	1	78
67440-0100	HH-SI 10/24KV 10A FC VB 442/78	1	78
67440-0160	HH-SI 10/24KV 16A FC VB 442/78	1	78
67440-0250	HH-SI 10/24KV 25A FC VB 442/88	1	78
67520-0100	HH-SI 6/12KV 10A FC ÜLA 292/56	1	77
67520-0160	HH-SI 6/12KV 16A FC ÜLA 292/56	1	77
67520-0200	HH-SI 6/12KV 20A FC ÜLA 292/56	1	77
67520-0250	HH-SI 6/12KV 25A FC ÜLA 292/56	1	77
67520-0320	HH-SI 6/12KV 31,5A FC ÜLA 292/56	1	77
67520-0400	HH-SI 6/12KV 40A FC ÜLA 292/56	1	77
67520-0500	HH-SI 6/12KV 50A FC ÜLA 292/56	1	77
67520-0630	HH-SI 6/12KV 63A FC ÜLA 292/65	1	77
67520-0800	HH-SI 6/12KV 80A FC ÜLA 292/65	1	77
67520-1000	HH-SI 6/12KV 100A FC ÜLA 292/65	1	77
67520-1250	HH-SI 6/12KV 125A FC ÜLA 292/88	1	77
67520-1600	HH-SI 6/12KV 160A FC ÜLA 292/88	1	77
67541-0060	HH-SI 10/24KV 6,3A FC ÜLA 442/56	1	77
67541-0100	HH-SI 10/24KV 10A FC ÜLA 442/56	1	77
67541-0160	HH-SI 10/24KV 16A FC ÜLA 442/56	1	77
67541-0200	HH-SI 10/24KV 20A FC ÜLA 442/56	1	77
67541-0250	HH-SI 10/24KV 25A FC ÜLA 442/56	1	77
67541-0320	HH-SI 10/24KV 31,5A FC ÜLA 442/56	1	77
67541-0400	HH-SI 10/24KV 40A FC ÜLA 442/56	1	77
67541-0500	HH-SI 10/24KV 50A FC ÜLA 442/65	1	77
67541-0630	HH-SI 10/24KV 63A FC ÜLA 442/65	1	77
67541-0800	HH-SI 10/24KV 80A FC ÜLA 442/65	1	77
67541-1000	HH-SI 10/24KV 100A FC ÜLA 442/88	1	77
67542-0630	HH-SI 10/24KV 63A FC ÜLA+ 442/65 K44,8	1	77
67543-0060	HH-SI 10/24KV 6,3A FC ÜLA+ 442/56 K44,8	1	77
67543-0100	HH-SI 10/24KV 10A FC ÜLA+ 442/56 K44,8	1	77
67543-0160	HH-SI 10/24KV 16A FC ÜLA+ 442/56 K44,8	1	77
67543-0200	HH-SI 10/24KV 20A FC ÜLA+ 442/56 K44,8	1	77
67543-0250	HH-SI 10/24KV 25A FC ÜLA+ 442/56 K44,8	1	77
67543-0320	HH-SI 10/24KV 31,5A FC ÜLA+ 442/56 K44,8	1	77
67543-0400	HH-SI 10/24KV 40A FC ÜLA+ 442/56 K44,8	1	77
67543-0500	HH-SI 10/24KV 50A FC ÜLA+ 442/65 K44,8	1	77
67543-0630	HH-SI 10/24KV 63A FC ÜLA+ 442/78 K44,8	1	77
67543-0800	HH-SI 10/24KV 80A FC ÜLA+ 442/78 K44,8	1	77
67543-1000	HH-SI 10/24KV 100A FC ÜLA+ 442/88 K44,8	1	77
67543-1250	HH-SI 10/24KV 125A FC ÜLA+ 442/88 K44,8	1	77
67550-0060	HH-SI 20/36KV 6,3A FC ÜLA 537/56	1	77
67550-0100	HH-SI 20/36KV 10A FC ÜLA 537/56	1	77
67550-0160	HH-SI 20/36KV 16A FC ÜLA 537/56	1	77
67550-0200	HH-SI 20/36KV 20A FC ÜLA 537/56	1	77
67550-0250	HH-SI 20/36KV 25A FC ÜLA 537/56	1	77
67550-0320	HH-SI 20/36KV 31,5A FC ÜLA 537/65	1	77
67550-0400	HH-SI 20/36KV 40A FC ÜLA 537/65	1	77
67550-0500	HH-SI 20/36KV 50A FC ÜLA 537/88	1	77
67553-0060	HH-SI 20/36KV 6,3A FC ÜLA+ 537/56 K44,8	1	78
67553-0100	HH-SI 20/36KV 10A FC ÜLA+ 537/56 K44,8	1	78
67553-0160	HH-SI 20/36KV 16A FC ÜLA+ 537/56 K44,8	1	78
67553-0200	HH-SI 20/36KV 20A FC ÜLA+ 537/56 K44,8	1	78
67553-0250	HH-SI 20/36KV 25A FC ÜLA+ 537/56 K44,8	1	78
67553-0320	HH-SI 20/36KV 31,5A FC ÜLA+ 537/65 K44,8	1	78
67553-0400	HH-SI 20/36KV 40A FC ÜLA+ 537/65 K44,8	1	78
67553-0500	HH-SI 20/36KV 50A FC ÜLA+ 537/88 K44,8	1	78
67553-0630	HH-SI 20/36KV 63A FC ÜLA+ 537/88 K44,8	1	78
67553-0800	HH-SI 20/36KV 80A FC ÜLA+ 537/88 K44,8	1	78
68003-0100	Adapter	1	83
68003-0200	Adapter HV-SI 44.8	1	83
68004-0010	Wall rack	2	83
68005-0010	Fuse base contact with anti-vibration bracket	1	83
68007-0010	Fuse base	1	83
68008-0010	Fuse base	1	83
68012-0010	Fuse base	1	83
68013-0020	Test device 192 mm, 65 Nm	1	82
68014-0010	Extension to 292 mm	1	82
68015-0010	Extension to 442 mm	1	82
68016-0010	Fuse base contacts	1	83
68021-0010	Fuse base	1	83
68022-0010	HSW FUSE HOLDER	1	83
69500-0010	Universal clamp 10 – 120 mm ²	1	459
69501-0010	Insulated terminal M8 x 25 with internal thread	1	459
69502-0010	Insulated tapping clamp 6 – 70 mm ²	1	459
69503-0010	Insulated tapping clamp 50 – 95 mm ²	1	459
69504-0010	Piercing clamp (1 side) Al 16 – 95 mm ²	1	459
69505-0010	Piercing clamp (2 side) Al 16 – 95 mm ²	1	459
69611-0040	Mounting bracket with clamp	6	458
69611-0050	Mounting bracket with clamp	6	458
69611-0060	Mounting bracket with clamp	6	458
69612-0050	Mounting bracket with clamp	6	458
69613-0040	Mounting bracket with clamp	6	458
69621-0040	Stud terminal M8 x 25, non-insulated	6	458
69621-5060	ONA 280V 5KA ZNO 1000 OB M8X25 UH Z1	6	458

Order number index

Order number	Designation	UP	Page
69624-0070	Stud terminal M8 x 25, non-insulated	6	458
69641-0040	Stud terminal M8 x 25, insulated	6	458
69641-0050	Stud terminal M8 x 25, insulated	6	458
69641-0060	Stud terminal M8 x 25, insulated	6	458
69721-5160	Stud terminal M8 x 25, insulated	1	458
69741-6160	Stud terminal M8 x 25, insulated	6	458
69741-7160	Stud terminal M8 x 25, insulated	6	458
69741-8160	Stud terminal M8 x 25, insulated	6	458
69744-9060	Stud terminal M8 x 25, insulated	6	458
69764-5160	Stud terminal M8 x 30, insulated	6	458
69811-0040	Mounting bracket with clamp	6	458
69811-0050	Mounting bracket with clamp	6	458
69811-0060	Mounting bracket with clamp	6	458
69821-0040	Stud terminal M8 x 25, non-insulated	6	458
69841-0040	Stud terminal M8 x 25, insulated	6	458
69841-0150	Bolt M8 x 25, insulated	6	458
69941-0040	Stud terminal M8 x 25, insulated	6	458

7

76300-0100	SI-TR 10X38 1P 1000VDC 32A	1	136
76300-0200	SI-TR 10X38 2P 1000VDC 32A	1	136
76301-0100	SI-TR 10X38 1P SM 1000VDC 32A	1	136
76301-0200	SI-TR 10X38 2P SM 1000VDC 32A	1	136
76305-0100	LT-PV 1000VDC 32A G IP65	1	137
76305-0200	LT-PV 1000VDC 32A IP40	1	137
77101-0923	PSA 213 50/5 1,5 1-WA 20X10 60-30	3	280
77101-1033	PSA 213 60/5 2,5 1-WA 20X10 60-30	3	280
77101-1122	PSA 213 75/5 1,5 0,5-WA 20X10 60-30	3	280
77101-1133	PSA 213 75/5 2,5 1-WA 20X10 60-30	3	280
77101-1233	PSA 213 80/5 2,5 1-WA 20X10 60-30	3	280
77101-1332	PSA 213 100/5 2,5 0,5-WA 20X10 60-30	3	280
77101-1333	PSA 213 100/5 2,5 1-WA 20X10 60-30	3	280
77101-1432	PSA 213 125/5 0,0 0,5-WA 20X10 60-30	3	280
77101-1443	PSA 213 125/5 5,0 1-WA 20X10 60-30	3	280
77101-1532	PSA 213 150/5 2,5 0,5-WA 20X10 60-30	3	280
77101-1543	PSA 213 150/5 5,0 1-WA 20X10 60-30	3	280
77101-1642	PSA 213 200/5 5,0 0,5-WA 20X10 60-30	3	280
77101-1643	PSA 213 200/5 5,0 1-WA 20X10 60-30	3	280
77101-1663	PSA 213 200/5 10 1-WA 20X10 60-30	3	280
77101-1742	PSA 213 250/5 5,0 0,5-WA 20X10 60-30	3	280
77101-1743	PSA 213 250/5 5,0 1-WA 20X10 60-30	3	280
77101-1763	PSA 213 250/5 10 1-WA 20X10 60-30	3	280
77101-1863	PSA 213 300/5 10 1-WA 20X10 60-30	3	280
77101-5923	PSA 213 50/1 1,5 1-WA 20X10 60-30	3	280
77101-6023	PSA 213 60/1 1,5 1-WA 20X10 60-30	3	280
77101-6122	PSA 213 75/1 1,5 0,5-WA 20X10 60-30	3	280
77101-6133	PSA 213 75/1 2,5 1-WA 20X10 60-30	3	280
77101-6222	PSA 213 80/1 1,5 0,5-WA 20X10 60-30	3	280
77101-6332	PSA 213 100/1 2,5 0,5-WA 20X10 60-30	3	280
77101-6333	PSA 213 100/1 2,5 1-WA 20X10 60-30	3	280
77101-6443	PSA 213 125/1 5,0 1-WA 20X10 60-30	3	280
77101-6543	PSA 213 150/1 5,0 1-WA 20X10 60-30	3	280
77101-6663	PSA 213 200/1 10 1-WA 20X10 60-30	3	280
77101-6763	PSA 213 250/1 10 1-WA 20X10 60-30	3	280
77101-6843	PSA 213 300/1 5,0 1-WA 20X10 60-30	3	280
77101-6863	PSA 213 300/1 10 1-WA 20X10 60-30	3	280
77102-0813	PSA 215 40/5 1,0 1-WA 20X10 60-55	3	281
77102-0933	PSA 215 50/5 2,5 1-WA 20X10 60-55	3	281
77102-1143	PSA 215 75/5 5,0 1-WA 20X10 60-55	3	281
77102-1243	PSA 215 80/5 5,0 1-WA 20X10 60-55	3	281
77102-1342	PSA 215 100/5 5,0 0,5-WA 20X10 60-55	3	281
77102-1363	PSA 215 100/5 10 1-WA 20X10 60-55	3	281
77102-1442	PSA 215 125/5 5 0,5-WA 20X10 60-55	3	280
77102-1463	PSA 215 125/5 10 1-WA 20X10 60-55	3	281
77102-1542	PSA 215 150/5 5 0,5-WA 20X10 60-55	3	280
77102-1563	PSA 215 150/5 10 1-WA 20X10 60-55	3	281
77102-5933	PSA 215 50/1 2,5 1-WA 20X10 60-55	3	281
77102-6143	PSA 215 75/1 5,0 1-WA 20X10 60-55	3	281
77102-6243	PSA 215 80/1 5,0 1-WA 20X10 60-55	3	281
77102-6342	PSA 215 100/1 5 0,5-WA 20X10 60-55	3	280
77102-6363	PSA 215 100/1 10 1-WA 20X10 60-55	3	281
77102-6442	PSA 215 125/1 5 0,5-WA 20X10 60-55	3	280
77102-6463	PSA 215 125/1 10 1-WA 20X10 60-55	3	281
77102-6542	PSA 215 150/1 5 0,5-WA 20X10 60-55	3	280
77102-6563	PSA 215 150/1 10 1-WA 20X10 60-55	3	281
77105-1013	PSA 113 60/5 1,0 1-WA 30X10 50-30	3	281
77105-1123	PSA 113 75/5 1,5 1-WA 30X10 50-30	3	281
77105-1333	PSA 113 100/5 2,5 1-WA 30X10 50-30	3	281
77105-1433	PSA 113 125/5 2,5 1-WA 30X10 50-30	3	281
77105-1532	PSA 113 150/5 2,5 0,5-WA 30X10 50-30	3	281
77105-1533	PSA 113 150/5 2,5 1-WA 30X10 50-30	3	281
77105-1632	PSA 113 200/5 2,5 0,5-WA 30X10 50-30	3	281
77105-1633	PSA 113 200/5 2,5 1-WA 30X10 50-30	3	281
77105-1643	PSA 113 200/5 5,0 1-WA 30X10 50-30	3	281
77105-1732	PSA 113 250/5 2,5 0,5-WA 30X10 50-30	3	281
77105-1733	PSA 113 250/5 2,5 1-WA 30X10 50-30	3	281
77105-1743	PSA 113 250/5 5,0 1-WA 30X10 50-30	3	281
77105-1832	PSA 113 300/5 2,5 0,5-WA 30X10 50-30	3	281
77105-1833	PSA 113 300/5 2,5 1-WA 30X10 50-30	3	281
77105-1843	PSA 113 300/5 5,0 1-WA 30X10 50-30	3	281

Order number index

Order number	Designation	UP	Page
77105-1932	PSA 113 400/5 2,5 0,5-WA 30X10 50-30	3	281
77105-1933	PSA 113 400/5 2,5 1-WA 30X10 50-30	3	281
77105-1943	PSA 113 400/5 5,0 1-WA 30X10 50-30	3	281
77105-2032	PSA 113 500/5 2,5 0,5-WA 30X10 50-30	3	281
77105-2043	PSA 113 500/5 5,0 1-WA 30X10 50-30	3	281
77105-2053	PSA 113 500/5 7,5 1-WA 30X10 50-30	3	281
77105-2132	PSA 113 600/5 2,5 0,5-WA 30X10 50-30	3	281
77105-2143	PSA 113 600/5 5,0 1-WA 30X10 50-30	3	281
77105-2153	PSA 113 600/5 7,5 1-WA 30X10 50-30	3	281
77105-6013	PSA 113 60/1 1,0 1-WA 30X10 50-30	3	282
77105-6123	PSA 113 75/1 1,5 1-WA 30X10 50-30	3	282
77105-6233	PSA 113 80/1 2,5 1-WA 30X10 50-30	3	282
77105-6333	PSA 113 100/1 2,5 1-WA 30X10 50-30	3	282
77105-6433	PSA 113 125/1 2,5 1-WA 30X10 50-30	3	282
77105-6532	PSA 113 150/1 2,5 0,5-WA 30X10 50-30	3	281
77105-6533	PSA 113 150/1 2,5 1-WA 30X10 50-30	3	282
77105-6632	PSA 113 200/1 2,5 0,5-WA 30X10 50-30	3	281
77105-6633	PSA 113 200/1 2,5 1-WA 30X10 50-30	3	282
77105-6643	PSA 113 200/1 5,0 1-WA 30X10 50-30	3	282
77105-6673	PSA 315 200/1 15 1-WA30x10 60-55	3	285
77105-6732	PSA 113 250/1 2,5 0,5-WA 30X10 50-30	3	281
77105-6733	PSA 113 250/1 2,5 1-WA 30X10 50-30	3	282
77105-6743	PSA 113 250/1 5,0 1-WA 30X10 50-30	3	282
77105-6763	PSA 315 250/1 10 1-WA 30-10 60-55	3	285
77105-6832	PSA 113 300/1 2,5 0,5-WA 30X10 50-30	3	281
77105-6833	PSA 113 300/1 2,5 1-WA 30X10 50-30	3	282
77105-6843	PSA 113 300/1 5,0 1-WA 30X10 50-30	3	282
77105-6932	PSA 113 400/1 2,5 0,5-WA 30X10 50-30	3	281
77105-6933	PSA 113 400/1 2,5 1-WA 30X10 50-30	3	282
77105-6943	PSA 113 400/1 5,0 1-WA 30X10 50-30	3	282
77105-7032	PSA 113 500/1 2,5 0,5-WA 30X10 50-30	3	281
77105-7043	PSA 113 500/1 5,0 1-WA 30X10 50-30	3	282
77105-7132	PSA 113 600/1 2,5 0,5-WA 30X10 50-30	3	281
77105-7143	PSA 113 600/1 5,0 1-WA 30X10 50-30	3	282
77105-7153	PSA 113 600/1 7,5 1-WA 30X10 50-30	3	282
77106-1322	PSA 313 100/5 1,5 0,5-WA 30X10 60-30	3	283
77106-1333	PSA 313 100/5 2,5 1-WA 30X10 60-30	3	284
77106-1532	PSA 313 150/5 2,5 0,5-WA 30X10 60-30	3	283
77106-1533	PSA 313 150/5 2,5 1-WA 30X10 60-30	3	284
77106-1543	PSA 313 150/5 5,0 1-WA 30X10 60-30	3	284
77106-1642	PSA 313 200/5 5,0 0,5-WA 30X10 60-30	3	283
77106-1643	PSA 313 200/5 5,0 1-WA 30X10 60-30	3	284
77106-1742	PSA 313 250/5 5,0 0,5-WA 30X10 60-30	3	283
77106-1743	PSA 313 250/5 5,0 1-WA 30X10 60-30	3	284
77106-1763	PSA 313 250/5 10 1-WA 30X10 60-30	3	284
77106-1842	PSA 313 300/5 5,0 0,5-WA 30X10 60-30	3	283
77106-1843	PSA 313 300/5 5,0 1-WA 30X10 60-30	3	284
77106-1862	PSA 313 300/5 10 0,5-WA 30X10 60-30	3	283
77106-1863	PSA 313 300/5 10 1-WA 30X10 60-30	3	284
77106-1942	PSA 313 400/5 5,0 0,5-WA 30X10 60-30	3	283
77106-1943	PSA 313 400/5 5,0 1-WA 30X10 60-30	3	284
77106-1962	PSA 313 400/5 10 0,5-WA 30X10 60-30	3	283
77106-1963	PSA 313 400/5 10 1-WA 30X10 60-30	3	284
77106-2042	PSA 313 500/5 5,0 0,5-WA 30X10 60-30	3	283
77106-2043	PSA 313 500/5 5,0 1-WA 30X10 60-30	3	284
77106-2062	PSA 313 500/5 10 0,5-WA 30X10 60-30	3	283
77106-2063	PSA 313 500/5 10 1-WA 30X10 60-30	3	284
77106-2142	PSA 313 600/5 5,0 0,5-WA 30X10 60-30	3	283
77106-2143	PSA 313 600/5 5,0 1-WA 30X10 60-30	3	284
77106-2162	PSA 313 600/5 10 0,5-WA 30X10 60-30	3	283
77106-2163	PSA 313 600/5 10 1-WA 30X10 60-30	3	284
77106-6322	PSA 313 100/1 1,5 0,5-WA 30X10 60-30	3	283
77106-6333	PSA 313 100/1 2,5 1-WA 30X10 60-30	3	284
77106-6532	PSA 313 150/1 2,5 0,5-WA 30X10 60-30	3	283
77106-6533	PSA 313 150/1 2,5 1-WA 30X10 60-30	3	284
77106-6642	PSA 313 200/1 5,0 0,5-WA 30X10 60-30	3	283
77106-6643	PSA 313 200/1 5,0 1-WA 30X10 60-30	3	284
77106-6742	PSA 313 250/1 5,0 0,5-WA 30X10 60-30	3	283
77106-6743	PSA 313 250/1 5,0 1-WA 30X10 60-30	3	284
77106-6763	PSA 313 250/1 10 1-WA 30X10 60-30	3	284
77106-6842	PSA 313 300/1 5,0 0,5-WA 30X10 60-30	3	283
77106-6843	PSA 313 300/1 5,0 1-WA 30X10 60-30	3	284
77106-6863	PSA 313 300/1 10 1-WA 30X10 60-30	3	284
77106-6942	PSA 313 400/1 5,0 0,5-WA 30X10 60-30	3	283
77106-6943	PSA 313 400/1 5,0 1-WA 30X10 60-30	3	284
77106-6963	PSA 313 400/1 10 1-WA 30X10 60-30	3	284
77106-7042	PSA 313 500/1 5,0 0,5-WA 30X10 60-30	3	283
77106-7043	PSA 313 500/1 5,0 1-WA 30X10 60-30	3	284
77106-7063	PSA 313 500/1 10 1-WA 30X10 60-30	3	284
77106-7142	PSA 313 600/1 5,0 0,5-WA 30X10 60-30	3	283
77106-7143	PSA 313 600/1 5,0 1-WA 30X10 60-30	3	284
77106-7163	PSA 313 600/1 10 1-WA 30X10 60-30	3	284
77107-0923	PSA 115 50/5 1,5 1-WA 30X10 50-50	3	282
77107-1023	PSA 115 60/5 1,5 1-WA 30X10 50-50	3	282
77107-1133	PSA 115 75/5 2,5 1-WA 30X10 50-50	3	282
77107-1332	PSA 115 100/5 2,5 0,5-WA 30X10 50-50	3	282
77107-1343	PSA 115 100/5 5,0 1-WA 30X10 50-50	3	282
77107-1432	PSA 115 125/5 2,5 0,5-WA 30X10 50-50	3	282
77107-1443	PSA 115 125/5 5,0 1-WA 30X10 50-50	3	282
77107-1542	PSA 115 150/5 5,0 0,5-WA 30X10 50-50	3	282

Order number index

Order number	Designation	UP	Page
77107-1543	PSA 115 150/5 5,0 1-WA 30X10 50-50	3	282
77107-1642	PSA 115 200/5 5,0 0,5-WA 30X10 50-50	3	282
77107-1643	PSA 115 200/5 5,0 1-WA 30X10 50-50	3	282
77107-1663	PSA 115 200/5 10 1-WA 30X10 50-50	3	282
77107-1742	PSA 115 250/5 5 0,5-WA 30X10 50-50	3	282
77107-1763	PSA 115 250/5 10 1-WA 30X10 50-50	3	282
77107-1842	PSA 115 300/5 5 0,5-WA 30X10 50-50	3	282
77107-1863	PSA 115 300/5 10 1-WA 30X10 50-50	3	283
77107-1962	PSA 115 400/5 5 0,5-WA 30X10 50-50	3	282
77107-1963	PSA 115 400/5 10 1-WA 30X10 50-50	3	283
77107-1973	PSA 115 400/5 15 1-WA 30X10 50-50	3	283
77107-2062	PSA 115 500/5 10 0,5-WA 30X10 50-50	3	282
77107-2063	PSA 115 500/5 10 1-WA 30X10 50-50	3	283
77107-2073	PSA 115 500/5 15 1-WA 30X10 50-50	3	283
77107-2162	PSA 115 600/5 10 0,5-WA 30X10 50-50	3	282
77107-2163	PSA 115 600/5 10 1-WA 30X10 50-50	3	283
77107-2173	PSA 115 600/5 15 1-WA 30X10 50-50	3	283
77107-5923	PSA 115 50/1 1,5 1-WA 30X10 50-50	3	283
77107-6023	PSA 115 60/1 1,5 1-WA 30X10 50-50	3	283
77107-6133	PSA 115 75/1 2,5 1-WA 30X10 50-50	3	283
77107-6332	PSA 115 100/1 2,5 0,5-WA 30X10 50-50	3	282
77107-6343	PSA 115 100/1 5,0 1-WA 30X10 50-50	3	283
77107-6432	PSA 115 125/1 2,5 0,5-WA 30X10 50-50	3	282
77107-6443	PSA 115 125/1 5,0 1-WA 30X10 50-50	3	283
77107-6542	PSA 115 150/1 5,0 0,5-WA 30X10 50-50	3	282
77107-6543	PSA 115 150/1 5,0 1-WA 30X10 50-50	3	283
77107-6642	PSA 115 200/1 5,0 0,5-WA 30X10 50-50	3	282
77107-6643	PSA 115 200/1 5 1-WA 30X10 50-50	3	283
77107-6663	PSA 115 200/1 10 1-WA 30X10 50-50	3	283
77107-6742	PSA 115 250/1 5 0,5-WA 30X10 50-50	3	282
77107-6763	PSA 115 250/1 10 1-WA 30X10 50-50	3	283
77107-6842	PSA 115 300/1 5 0,5-WA 30X10 50-50	3	282
77107-6863	PSA 115 300/1 10 1-WA 30X10 50-50	3	283
77107-6962	PSA 115 400/1 10 0,5-WA 30X10 50-50	3	282
77107-6963	PSA 115 400/1 10 1-WA 30X10 50-50	3	283
77107-6973	PSA 115 400/1 15 1-WA 30X10 50-50	3	283
77107-7062	PSA 115 500/1 10 0,5-WA 30X10 50-50	3	282
77107-7063	PSA 115 500/1 10 1-WA 30X10 50-50	3	283
77107-7073	PSA 115 500/1 15 1-WA 30X10 50-50	3	283
77107-7162	PSA 115 600/1 10 0,5-WA 30X10 50-50	3	282
77107-7163	PSA 115 600/1 10 1-WA 30X10 50-50	3	283
77107-7173	PSA 115 600/1 15 1-WA 30X10 50-50	3	283
77108-1132	PSA 315 75/5 2,5 0,5-WA 30X10 60-55	3	284
77108-1133	PSA 315 75/5 2,5 1-WA 30X10 60-55	3	284
77108-1332	PSA 315 100/5 2,5 0,5-WA 30X10 60-55	3	284
77108-1343	PSA 315 100/5 5,0 1-WA 30X10 60-55	3	284
77108-1542	PSA 315 150/5 5,0 0,5-WA 30X10 60-55	3	284
77108-1543	PSA 315 150/5 5,0 1-WA 30X10 60-55	3	284
77108-1563	PSA 315 150/5 10 1-WA 30X10 60-55	3	284
77108-1662	PSA 315 200/5 10 0,5-WA 30X10 60-55	3	284
77108-1663	PSA 315 200/5 10 1-WA 30X10 60-55	3	284
77108-1673	PSA 315 200/5 15 1-WA 30X10 60-55	3	284
77108-1762	PSA 315 250/5 10 0,5-WA 30X10 60-55	3	284
77108-1763	PSA 315 250/5 10 1-WA 30X10 60-55	3	284
77108-1872	PSA 315 300/5 15 0,5-WA 30X10 60-55	3	284
77108-1873	PSA 315 300/5 15 1-WA 30X10 60-55	3	285
77108-1972	PSA 315 400/5 15 0,5-WA 30X10 60-55	3	284
77108-1973	PSA 315 400/5 15 1-WA 30X10 60-55	3	285
77108-6133	PSA 315 75/1 2,5 1-WA 30X10 60-55	3	285
77108-6332	PSA 315 100/1 2,5 0,5-WA 30X10 60-55	3	284
77108-6343	PSA 315 100/1 5,0 1-WA 30X10 60-55	3	285
77108-6542	PSA 315 150/1 5,0 0,5-WA 30X10 60-55	3	284
77108-6543	PSA 315 150/1 5,0 1-WA 30X10 60-55	3	285
77108-6662	PSA 315 200/1 10 0,5-WA 30X10 60-55	3	284
77108-6663	PSA 315 200/1 10 1-WA 30X10 60-55	3	285
77108-6673	PSA 315 200/1 15 1-WA 30X10 60-55	3	285
77108-6762	PSA 315 250/1 10 0,5-WA 30X10 60-55	3	284
77108-6773	PSA 315 250/1 15 1-WA 30X10 60-55	3	305
77111-1543	PSA 415 150/5 5,0 1-WA 40X12 60-55	3	286
77111-1663	PSA 415 200/5 10 1-WA 40X12 60-55	3	286
77111-1763	PSA 415 250/5 10 1-WA 40X12 60-55	3	286
77111-1863	PSA 415 300/5 10 1-WA 40X12 60-55	3	286
77111-2162	PSA 415 600/5 10 0,5-WA 40X12 60-55	3	286
77111-2362	PSA 415 800/5 10 0,5-WA 40X12 60-55	3	286
77111-6543	PSA 415 150/1 5 1-WA 40X12 60-55	3	286
77111-6663	PSA 415 200/1 10 1-WA 40X12 60-55	3	286
77111-6763	PSA 415 250/1 10 1-WA 40X12 60-55	3	286
77111-6863	PSA 415 300/1 10 1-WA 40X12 60-55	3	286
77113-1533	PSA 413 150/5 2,5 1-WA 40X12 60-30	3	285
77113-1632	PSA 413 200/5 2,5 0,5-WA 40X12 60-30	3	285
77113-1633	PSA 413 200/5 2,5 1-WA 40X12 60-30	3	285
77113-1643	PSA 413 200/5 5,0 1-WA 40X12 60-30	3	285
77113-1732	PSA 413 250/5 2,5 0,5-WA 40X12 60-30	3	285
77113-1733	PSA 413 250/5 2,5 1-WA 40X12 60-30	3	285
77113-1742	PSA 413 250/5 5,0 0,5-WA 40X12 60-30	3	285
77113-1743	PSA 413 250/5 5,0 1-WA 40X12 60-30	3	285
77113-1842	PSA 413 300/5 5,0 0,5-WA 40X12 60-30	3	285
77113-1843	PSA 413 300/5 5,0 1-WA 40X12 60-30	3	285
77113-1853	PSA 413 300/5 7,5 1-WA 40X12 60-30	3	285
77113-1932	PSA 413 400/5 2,5 0,5-WA 40X12 60-30	3	285

Order number index

Order number	Designation	UP	Page
77113-1942	PSA 413 400/5 5,0 0,5-WA 40X12 60-30	3	285
77113-1943	PSA 413 400/5 5,0 1-WA 40X12 60-30	3	285
77113-1963	PSA 413 400/5 10 1-WA 40X12 60-30	3	285
77113-2042	PSA 413 500/5 5,0 0,5-WA 40X12 60-30	3	285
77113-2043	PSA 413 500/5 5,0 1-WA 40X12 60-30	3	285
77113-2063	PSA 413 500/5 10 1-WA 40X12 60-30	3	285
77113-2142	PSA 413 600/5 5,0 0,5-WA 40X12 60-30	3	285
77113-2143	PSA 413 600/5 5,0 1-WA 40X12 60-30	3	285
77113-2163	PSA 413 600/5 10 1-WA 40X12 60-30	3	285
77113-2242	PSA 413 750/5 5,0 0,5-WA 40X12 60-30	3	285
77113-2243	PSA 413 750/5 5,0 1-WA 40X12 60-30	3	285
77113-2263	PSA 413 750/5 10 1-WA 40X12 60-30	3	285
77113-2342	PSA 413 800/5 5,0 0,5-WA 40X12 60-30	3	285
77113-2343	PSA 413 800/5 5,0 1-WA 40X12 60-30	3	285
77113-2363	PSA 413 800/5 10 1-WA 40X12 60-30	3	285
77113-6533	PSA 413 150/1 2,5 1-WA 40X12 60-30	3	285
77113-6632	PSA 413 200/1 2,5 0,5-WA 40X12 60-30	3	285
77113-6633	PSA 413 200/1 2,5 1-WA 40X12 60-30	3	286
77113-6643	PSA 413 200/1 5,0 1-WA 40X12 60-30	3	286
77113-6732	PSA 413 250/1 2,5 0,5-WA 40X12 60-30	3	285
77113-6733	PSA 413 250/1 2,5 1-WA 40X12 60-30	3	286
77113-6742	PSA 413 250/1 5,0 0,5-WA 40X12 60-30	3	285
77113-6743	PSA 413 250/1 5,0 1-WA 40X12 60-30	3	286
77113-6842	PSA 413 300/1 5,0 0,5-WA 40X12 60-30	3	285
77113-6843	PSA 413 300/1 5,0 1-WA 40X12 60-30	3	286
77113-6853	PSA 413 300/1 7,5 1-WA 40X12 60-30	3	286
77113-6942	PSA 413 400/1 5,0 0,5-WA 40X12 60-30	3	285
77113-6943	PSA 413 400/1 5,0 1-WA 40X12 60-30	3	286
77113-6963	PSA 413 400/1 10 1-WA 40X12 60-30	3	286
77113-7042	PSA 413 500/1 5,0 0,5-WA 40X12 60-30	3	285
77113-7043	PSA 413 500/1 5,0 1-WA 40X12 60-30	3	286
77113-7063	PSA 413 500/1 10 1-WA 40X12 60-30	3	286
77113-7142	PSA 413 600/1 5,0 0,5-WA 40X12 60-30	3	285
77113-7143	PSA 413 600/1 5,0 1-WA 40X12 60-30	3	286
77113-7163	PSA 413 600/1 10 1-WA 40X12 60-30	3	286
77113-7263	PSA 413 750/1 10 1-WA 40X12 60-30	3	286
77113-7342	PSA 413 800/1 5,0 0,5-WA 40X12 60-30	3	285
77113-7363	PSA 413 800/1 10 1-WA 40X12 60-30	3	286
77115-1643	PSA 513 200/5 5,0 1-WA 50X12 85-30	3	287
77115-1742	PSA 513 250/5 5,0 0,5-WA 50X12 85-30	3	286
77115-1743	PSA 513 250/5 5,0 1-WA 50X12 85-30	3	287
77115-1763	PSA 513 250/5 10 1-WA 50X12 85-30	3	287
77115-1842	PSA 513 300/5 5,0 0,5-WA 50X12 85-30	3	286
77115-1843	PSA 513 300/5 5,0 1-WA 50X12 85-30	3	287
77115-1863	PSA 513 300/5 10 1-WA 50X12 85-30	3	287
77115-1942	PSA 513 400/5 5,0 0,5-WA 50X12 85-30	3	286
77115-1943	PSA 513 400/5 5,0 1-WA 50X12 85-30	3	287
77115-1963	PSA 513 400/5 10 1-WA 50X12 85-30	3	287
77115-1973	PSA 513 400/5 15 1-WA 50X12 85-30	3	287
77115-2042	PSA 513 500/5 5,0 0,5-WA 50X12 85-30	3	286
77115-2043	PSA 513 500/5 5,0 1-WA 50X12 85-30	3	287
77115-2063	PSA 513 500/5 10 1-WA 50X12 85-30	3	287
77115-2073	PSA 513 500/5 15 1-WA 50X12 85-30	3	287
77115-2142	PSA 513 600/5 5,0 0,5-WA 50X12 85-30	3	286
77115-2143	PSA 513 600/5 5,0 1-WA 50X12 85-30	3	287
77115-2162	PSA 513 600/5 10,0 0,5-WA 50X12 85-30	3	286
77115-2163	PSA 513 600/5 10 1-WA 50X12 85-30	3	287
77115-2173	PSA 513 600/5 15 1-WA 50X12 85-30	3	287
77115-2242	PSA 513 750/5 5,0 0,5-WA 50X12 85-30	3	286
77115-2243	PSA 513 750/5 5,0 1-WA 50X12 85-30	3	287
77115-2262	PSA 513 750/5 10 0,5-WA 50X12 85-30	3	286
77115-2263	PSA 513 750/5 10 1-WA 50X12 85-30	3	287
77115-2273	PSA 513 750/5 15 1-WA 50X12 85-30	3	287
77115-2342	PSA 513 800/5 5,0 0,5-WA 50X12 85-30	3	286
77115-2343	PSA 513 800/5 5,0 1-WA 50X12 85-30	3	287
77115-2362	PSA 513 800/5 10,0 0,5-WA 50X12 85-30	3	286
77115-2363	PSA 513 800/5 10 1-WA 50X12 85-30	3	287
77115-2373	PSA 513 800/5 15 1-WA 50X12 85-30	3	287
77115-2442	PSA 513 1000/5 5,0 0,5-WA 50X12 85-30	3	286
77115-2443	PSA 513 1000/5 5,0 1-WA 50X12 85-30	3	287
77115-2462	PSA 513 1000/5 10 0,5-WA 50X12 85-30	3	286
77115-2463	PSA 513 1000/5 10 1-WA 50X12 85-30	3	287
77115-2472	PSA 513 1000/5 15 0,5-WA 50X12 85-30	3	287
77115-2473	PSA 513 1000/5 15 1-WA 50X12 85-30	3	287
77115-2543	PSA 513 1200/5 5,0 1-WA 50X12 85-30	3	287
77115-2562	PSA 513 1200/5 10 0,5-WA 50X12 85-30	3	287
77115-2563	PSA 513 1200/5 10 1-WA 50X12 85-30	3	287
77115-2572	PSA 513 1200/5 15 0,5-WA 50X12 85-30	3	287
77115-2573	PSA 513 1200/5 15 1-WA 50X12 85-30	3	287
77115-2643	PSA 513 1250/5 5,0 1-WA 50X12 85-30	3	287
77115-2662	PSA 513 1250/5 10 0,5-WA 50X12 85-30	3	287
77115-2663	PSA 513 1250/5 10 1-WA 50X12 85-30	3	287
77115-2672	PSA 513 1250/5 15 0,5-WA 50X12 85-30	3	287
77115-2673	PSA 513 1250/5 15 1-WA 50X12 85-30	3	287
77115-6643	PSA 513 200/1 5,0 1-WA 50X12 85-30	3	287
77115-6742	PSA 513 250/1 5,0 0,5-WA 50X12 85-30	3	287
77115-6743	PSA 513 250/1 5,0 1-WA 50X12 85-30	3	287
77115-6842	PSA 513 300/1 5,0 0,5-WA 50X12 85-30	3	287
77115-6843	PSA 513 300/1 5,0 1-WA 50X12 85-30	3	287
77115-6863	PSA 513 300/1 10 1-WA 50X12 85-30	3	287

Order number index

Order number	Designation	UP	Page
77115-6942	PSA 513 400/1 5,0 0,5-WA 50X12 85-30	3	287
77115-6943	PSA 513 400/1 5,0 1-WA 50X12 85-30	3	287
77115-6963	PSA 513 400/1 10 1-WA 50X12 85-30	3	287
77115-7042	PSA 513 500/1 5,0 0,5-WA 50X12 85-30	3	287
77115-7063	PSA 513 500/1 10 1-WA 50X12 85-30	3	288
77115-7142	PSA 513 600/1 5,0 0,5-WA 50X12 85-30	3	287
77115-7143	PSA 513 600/1 5,0 1-WA 50X12 85-30	3	288
77115-7163	PSA 513 600/1 10 1-WA 50X12 85-30	3	288
77115-7242	PSA 513 750/1 5,0 0,5-WA 50X12 85-30	3	287
77115-7243	PSA 513 750/1 5,0 1-WA 50X12 85-30	3	288
77115-7263	PSA 513 750/1 10 1-WA 50X12 85-30	3	288
77115-7343	PSA 513 800/1 5,0 1-WA 50X12 85-30	3	288
77115-7362	PSA 513 800/1 10 0,5-WA 50X12 85-30	3	287
77115-7363	PSA 513 800/1 10 1-WA 50X12 85-30	3	288
77115-7443	PSA 513 1000/1 5,0 1-WA 50X12 85-30	3	288
77115-7462	PSA 513 1000/1 10 0,5-WA 50X12 85-30	3	287
77115-7463	PSA 513 1000/1 10 1-WA 50X12 85-30	3	288
77115-7562	PSA 513 1200/1 10 0,5-WA 50X12 85-30	3	287
77115-7563	PSA 513 1200/1 10 1-WA 50X12 85-30	3	288
77115-7662	PSA 513 1250/1 10 0,5-WA 50X12 85-30	3	287
77115-7663	PSA 513 1250/1 10 1-WA 50X12 85-30	3	288
77119-1942	PSA 613 400/5 5,0 0,5-WA 60X10 85-30	3	288
77119-1943	PSA 613 400/5 5,0 1-WA 60X10 85-30	3	289
77119-1962	PSA 613 400/5 10 0,5-WA 60X10 85-30	3	288
77119-1963	PSA 613 400/5 10 1-WA 60X10 85-30	3	289
77119-1973	PSA 613 400/5 15 1-WA 60X10 85-30	3	289
77119-2042	PSA 613 500/5 5,0 0,5-WA 60X10 85-30	3	288
77119-2043	PSA 613 500/5 5,0 1-WA 60X10 85-30	3	289
77119-2062	PSA 613 500/5 10 0,5-WA 60X10 85-30	3	288
77119-2063	PSA 613 500/5 10 1-WA 60X10 85-30	3	289
77119-2073	PSA 613 500/5 15 1-WA 60X10 85-30	3	289
77119-2142	PSA 613 600/5 5,0 0,5-WA 60X10 85-30	3	288
77119-2143	PSA 613 600/5 5,0 1-WA 60X10 85-30	3	289
77119-2162	PSA 613 600/5 10 0,5-WA 60X10 85-30	3	288
77119-2163	PSA 613 600/5 10 1-WA 60X10 85-30	3	289
77119-2173	PSA 613 600/5 15 1-WA 60X10 85-30	3	289
77119-2242	PSA 613 750/5 5,0 0,5-WA 60X10 85-30	3	288
77119-2262	PSA 613 750/5 10 0,5-WA 60X10 85-30	3	288
77119-2263	PSA 613 750/5 10 1-WA 60X10 85-30	3	289
77119-2273	PSA 613 650/5 15 1-WA 60X10 85-30	3	289
77119-2342	PSA 613 800/5 5,0 0,5-WA 60X10 85-30	3	288
77119-2343	PSA 613 800/5 5,0 1-WA 60X10 85-30	3	289
77119-2362	PSA 613 800/5 10 0,5-WA 60X10 85-30	3	288
77119-2363	PSA 613 800/5 10 1-WA 60X10 85-30	3	289
77119-2373	PSA 613 800/5 15 1-WA 60X10 85-30	3	289
77119-2442	PSA 613 1000/5 5,0 0,5-WA 60X10 85-30	3	288
77119-2443	PSA 613 1000/5 5,0 1-WA 60X10 85-30	3	289
77119-2462	PSA 613 1000/5 10 0,5-WA 60X10 85-30	3	288
77119-2463	PSA 613 1000/5 10 1-WA 60X10 85-30	3	289
77119-2473	PSA 613 1000/5 15 1-WA 60X10 85-30	3	289
77119-2542	PSA 613 1200/5 5,0 0,5-WA 60X10 85-30	3	288
77119-2543	PSA 613 1200/5 5,0 1-WA 60X10 85-30	3	289
77119-2562	PSA 613 1200/5 10 0,5-WA 60X10 85-30	3	288
77119-2563	PSA 613 1200/5 10 1-WA 60X10 85-30	3	289
77119-2573	PSA 613 1200/5 15 1-WA 60X10 85-30	3	289
77119-2642	PSA 613 1250/5 5,0 0,5-WA 60X10 85-30	3	288
77119-2643	PSA 613 1250/5 5,0 1-WA 60X10 85-30	3	289
77119-2662	PSA 613 1250/5 10 0,5-WA 60X10 85-30	3	288
77119-2663	PSA 613 1250/5 10 1-WA 60X10 85-30	3	289
77119-2673	PSA 613 1250/5 15 1-WA 60X10 85-30	3	289
77119-2742	PSA 613 1500/5 5,0 0,5-WA 60X10 85-30	3	288
77119-2743	PSA 613 1500/5 5,0 1-WA 60X10 85-30	3	289
77119-2762	PSA 613 1500/5 10 0,5-WA 60X10 85-30	3	288
77119-2763	PSA 613 1500/5 10 1-WA 60X10 85-30	3	289
77119-2773	PSA 613 1500/5 15 1-WA 60X10 85-30	3	289
77119-2842	PSA 613 1600/5 5,0 0,5-WA 60X10 85-30	3	288
77119-2843	PSA 613 1600/5 5,0 1-WA 60X10 85-30	3	289
77119-2862	PSA 613 1600/5 10 0,5-WA 60X10 85-30	3	288
77119-2863	PSA 613 1600/5 10 1-WA 60X10 85-30	3	289
77119-2873	PSA 613 1600/5 15 1-WA 60X10 85-30	3	289
77119-6942	PSA 613 400/1 5,0 0,5-WA 60X10 85-30	3	288
77119-6963	PSA 613 400/1 10 1-WA 60X10 85-30	3	289
77119-7042	PSA 613 500/1 5,0 0,5-WA 60X10 85-30	3	288
77119-7063	PSA 613 500/1 10 1-WA 60X10 85-30	3	289
77119-7142	PSA 613 600/1 5,0 0,5-WA 60X10 85-30	3	288
77119-7163	PSA 613 600/1 10 1-WA 60X10 85-30	3	289
77119-7242	PSA 613 750/1 5,0 0,5-WA 60X10 85-30	3	288
77119-7263	PSA 613 750/1 10 1-WA 60X10 85-30	3	289
77119-7342	PSA 613 800/1 5,0 0,5-WA 60X10 85-30	3	288
77119-7363	PSA 613 800/1 10 1-WA 60X10 85-30	3	289
77119-7442	PSA 613 1000/1 5,0 0,5-WA 60X10 85-30	3	288
77119-7463	PSA 613 1000/1 10 1-WA 60X10 85-30	3	289
77119-7542	PSA 613 1200/1 5,0 0,5-WA 60X10 85-30	3	288
77119-7563	PSA 613 1200/1 10 1-WA 60X10 85-30	3	289
77119-7642	PSA 613 1250/1 5,0 0,5-WA 60X10 85-30	3	288
77119-7663	PSA 613 1250/1 10 1-WA 60X10 85-30	3	289
77119-7742	PSA 613 1500/1 5,0 0,5-WA 60X10 85-30	3	288
77119-7763	PSA 613 1500/1 10 1-WA 60X10 85-30	3	289
77119-7842	PSA 613 1600/1 5,0 0,5-WA 60X10 85-30	3	288
77119-7863	PSA 613 1600/1 10 1-WA 60X10 85-30	3	289

Order number index

Order number	Designation	UP	Page
77121-2362	PSA 633 800/5 10 0,5-WA 60X30 90-30	3	289
77121-2363	PSA 633 800/5 10 1-WA 60X30 90-30	3	290
77121-2373	PSA 633 800/5 15 1-WA 60X30 90-30	3	290
77121-2462	PSA 633 1000/5 10 0,5-WA 60X30 90-30	3	289
77121-2463	PSA 633 1000/5 10 1-WA 60X30 90-30	3	290
77121-2473	PSA 633 1000/5 15 1-WA 60X30 90-30	3	290
77121-2562	PSA 633 1200/5 10 0,5-WA 60X30 90-30	3	289
77121-2563	PSA 633 1200/5 10 1-WA 60X30 90-30	3	290
77121-2573	PSA 633 1200/5 15 1-WA 60X30 90-30	3	290
77121-2662	PSA 633 1250/5 10 0,5-WA 60X30 90-30	3	289
77121-2663	PSA 633 1250/5 10 1-WA 60X30 90-30	3	290
77121-2673	PSA 633 1250/5 15 1-WA 60X30 90-30	3	290
77121-2762	PSA 633 1500/5 10 0,5-WA 60X30 90-30	3	289
77121-2763	PSA 633 1500/5 10 1-WA 60X30 90-30	3	290
77121-2773	PSA 633 1500/5 15 1-WA 60X30 90-30	3	290
77121-2862	PSA 633 1600/5 10 0,5-WA 60X30 90-30	3	289
77121-2863	PSA 633 1600/5 10 1-WA 60X30 90-30	3	289
77121-2873	PSA 633 1600/5 15 1-WA 60X30 90-30	3	290
77121-7362	PSA 633 800/1 10 0,5-WA 60X30 90-30	3	289
77121-7363	PSA 633 800/1 10 1-WA 60X30 90-30	3	290
77121-7373	PSA 633 800/1 15 1-WA 60X30 90-30	3	290
77121-7462	PSA 633 1000/1 10 0,5-WA 60X30 90-30	3	289
77121-7463	PSA 633 1000/1 10 1-WA 60X30 90-30	3	290
77121-7473	PSA 633 1000/1 15 1-WA 60X30 90-30	3	290
77121-7562	PSA 633 1200/1 10 0,5-WA 60X30 90-30	3	289
77121-7563	PSA 633 1200/1 10 1-WA 60X30 90-30	3	290
77121-7573	PSA 633 1200/1 15 1-WA 60X30 90-30	3	290
77121-7662	PSA 633 1250/1 10 0,5-WA 60X30 90-30	3	289
77121-7663	PSA 633 1250/1 10 1-WA 60X30 90-30	3	290
77121-7673	PSA 633 1250/1 15 1-WA 60X30 90-30	3	290
77121-7762	PSA 633 1500/1 10 0,5-WA 60X30 90-30	3	289
77121-7763	PSA 633 1500/1 10 1-WA 60X30 90-30	3	290
77121-7773	PSA 633 1500/1 15 1-WA 60X30 90-30	3	290
77121-7862	PSA 633 1600/1 10 0,5-WA 60X30 90-30	3	290
77121-7863	PSA 633 1600/1 10 1-WA 60X30 90-30	3	290
77121-7873	PSA 633 1600/1 15 1-WA 60X30 90-30	3	290
77124-1942	PSA 814 400/5 5,0 0,5-WA 80X10 100-40	3	290
77124-1943	PSA 814 400/5 5,0 1-WA 80X10 100-40	3	291
77124-1963	PSA 814 400/5 10 1-WA 80X10 100-40	3	291
77124-2042	PSA 814 500/5 5,0 0,5-WA 80X10 100-40	3	290
77124-2043	PSA 814 500/5 5,0 1-WA 80X10 100-40	3	291
77124-2062	PSA 814 500/5 10 0,5-WA 80X10 100-40	3	290
77124-2063	PSA 814 500/5 10 1-WA 80X10 100-40	3	291
77124-2162	PSA 814 600/5 10 0,5-WA 80X10 100-40	3	290
77124-2163	PSA 814 600/5 10 1-WA 80X10 100-40	3	291
77124-2172	PSA 814 600/5 15 0,5-WA 80X10 100-40	3	290
77124-2173	PSA 814 600/5 15 1-WA 80X10 100-40	3	291
77124-2362	PSA 814 800/5 10 0,5-WA 80X10 100-40	3	290
77124-2363	PSA 814 800/5 10 1-WA 80X10 100-40	3	291
77124-2372	PSA 814 800/5 15 0,5-WA 80X10 100-40	3	290
77124-2373	PSA 814 800/5 15 1-WA 80X10 100-40	3	291
77124-2462	PSA 814 1000/5 10 0,5-WA 80X10 100-40	3	290
77124-2463	PSA 814 1000/5 10 1-WA 80X10 100-40	3	291
77124-2472	PSA 814 1000/5 15 0,5-WA 80X10 100-40	3	290
77124-2473	PSA 814 1000/5 15 1-WA 80X10 100-40	3	291
77124-2562	PSA 814 1200/5 10 0,5-WA 80X10 100-40	3	290
77124-2563	PSA 814 1200/5 10 1-WA 80X10 100-40	3	291
77124-2572	PSA 814 1200/5 15 0,5-WA 80X10 100-40	3	290
77124-2573	PSA 814 1200/5 15 1-WA 80X10 100-40	3	291
77124-2662	PSA 814 1250/5 10 0,5-WA 80X10 100-40	3	290
77124-2663	PSA 814 1250/5 10 1-WA 80X10 100-40	3	291
77124-2672	PSA 814 1250/5 15 0,5-WA 80X10 100-40	3	290
77124-2673	PSA 814 1250/5 15 1-WA 80X10 100-40	3	291
77124-2762	PSA 814 1500/5 10 0,5-WA 80X10 100-40	3	290
77124-2763	PSA 814 1500/5 10 1-WA 80X10 100-40	3	291
77124-2772	PSA 814 1500/5 15 0,5-WA 80X10 100-40	3	291
77124-2773	PSA 814 1500/5 15 1-WA 80X10 100-40	3	291
77124-2862	PSA 814 1600/5 10 0,5-WA 80X10 100-40	3	291
77124-2863	PSA 814 1600/5 10 1-WA 80X10 100-40	3	291
77124-2872	PSA 814 1600/5 15 0,5-WA 80X10 100-40	3	291
77124-2962	PSA 814 2000/5 10 0,5-WA 80X10 100-40	3	291
77124-2963	PSA 814 2000/5 10 1-WA 80X10 100-40	3	291
77124-2972	PSA 814 2000/5 15 0,5-WA 80X10 100-40	3	291
77124-6962	PSA 814 400/1 10,0 0,5-WA 80X10 100-40	3	291
77124-6963	PSA 814 400/1 10 1-WA 80X10 100-40	3	291
77124-7062	PSA 814 500/1 10 0,5-WA 80X10 100-40	3	291
77124-7063	PSA 814 500/1 10 1-WA 80X10 100-40	3	291
77124-7162	PSA 814 600/1 10 0,5-WA 80X10 100-40	3	291
77124-7163	PSA 814 600/1 10 1-WA 80X10 100-40	3	291
77124-7362	PSA 814 800/1 10 0,5-WA 80X10 100-40	3	291
77124-7363	PSA 814 800/1 10 1-WA 80X10 100-40	3	291
77124-7462	PSA 814 1000/1 10 0,5-WA 80X10 100-40	3	291
77124-7463	PSA 814 1000/1 10 1-WA 80X10 100-40	3	291
77124-7562	PSA 814 1200/1 10 0,5-WA 80X10 100-40	3	291
77124-7563	PSA 814 1200/1 10 1-WA 80X10 100-40	3	291
77124-7662	PSA 814 1250/1 10 0,5-WA 80X10 100-40	3	291
77124-7663	PSA 814 1250/1 10 1-WA 80X10 100-40	3	291
77124-7762	PSA 814 1500/1 10 0,5-WA 80X10 100-40	3	291
77124-7763	PSA 814 1500/1 10 1-WA 80X10 100-40	3	291
77124-7862	PSA 814 1600/1 10 0,5-WA 80X10 100-40	3	291

Order number index

Order number	Designation	UP	Page
77124-7863	PSA 814 1600/1 10 1-WA 80X10 100-40	3	291
77124-7962	PSA 814 2000/1 10 0,5-WA 80X10 100-40	3	291
77124-7963	PSA 814 2000/1 10 1-WA 80X10 100-40	3	291
77125-1962	PSA 1034 400/5 10 0,5-WA 2X100X10 135-40	1	292
77125-1963	PSA 1034 400/5 10 1-WA 2X100X10 135-40	1	292
77125-2062	PSA 1034 500/5 10 0,5-WA 2X100X10 135-40	1	292
77125-2063	PSA 1034 500/5 10 1-WA 2X100X10 135-40	1	292
77125-2162	PSA 1034 600/5 10 0,5-WA 2X100X10 135-40	1	292
77125-2163	PSA 1034 600/5 10 1-WA 2X100X10 135-40	1	292
77125-2362	PSA 1034 800/5 10 0,5-WA 2X100X10 135-40	1	292
77125-2462	PSA 1034 1000/5 10 0,5-WA2X100X10 135-40	1	292
77125-2472	PSA 1034 1000/5 15 0,5-WA2X100X10 135-40	1	292
77125-2483	PSA 1034 1000/5 30 1-WA 2X100X10 135-40	1	292
77125-2562	PSA 1034 1200/5 10 0,5-WA2X100X10 135-40	1	292
77125-2563	PSA 1034 1200/5 10 1-WA 2X100X10 135-40	1	292
77125-2572	PSA 1034 1200/5 15 0,5-WA 2X100X10 135-40	1	292
77125-2573	PSA 1034 1200/5 15 1-WA 2X100X10 135-40	1	292
77125-2583	PSA 1034 1200/5 30 1-WA 2X100X10 135-40	1	293
77125-2662	PSA 1034 1250/5 10 0,5-WA2X100X10 135-40	1	292
77125-2672	PSA 1034 1250/5 15 0,5-WA2X100X10 135-40	1	292
77125-2683	PSA 1034 1250/5 30 1-WA 2X100X10 135-40	1	293
77125-2742	PSA 1034 1500/5 5 0,5-WA 2X100X10 135-40	1	292
77125-2762	PSA 1034 1500/5 10 0,5-WA2X100X10 135-40	1	292
77125-2772	PSA 1034 1500/5 15 0,5-WA2X100X10 135-40	1	292
77125-2783	PSA 1034 1500/5 30 1-WA 2X100X10 135-40	1	293
77125-2862	PSA 1034 1600/5 10 0,5-WA2X100X10 135-40	1	292
77125-2872	PSA 1034 1600/5 15 0,5-WA2X100X10 135-40	1	292
77125-2883	PSA 1034 1600/5 30 1-WA 2X100X10 135-40	1	293
77125-2962	PSA 1034 2000/5 10 0,5-WA2X100X10 135-40	1	292
77125-2972	PSA 1034 2000/5 15 0,5-WA2X100X10 135-40	1	292
77125-2983	PSA 1034 2000/5 30 1-WA 2X100X10 135-40	1	293
77125-3162	PSA 1034 2500/5 10 0,5-WA2X100X10 135-40	1	292
77125-3172	PSA 1034 2500/5 15 0,5-WA2X100X10 135-40	1	292
77125-3183	PSA 1034 2500/5 30 1-WA 2X100X10 135-40	1	293
77125-3262	PSA 1034 3000/5 10 0,5-WA2X100X10 135-40	1	292
77125-3272	PSA 1034 3000/5 15 0,5-WA2X100X10 135-40	1	292
77125-3283	PSA 1034 3000/5 30 1-WA 2X100X10 135-40	1	293
77125-3362	PSA 1034 4000/5 10 0,5-WA 2X100X10 135-40	1	292
77125-3363	PSA 1034 4000/5 10 1-WA 2X100X10 135-40	1	293
77125-3372	PSA 1034 4000/5 15 0,5-WA 2X100X10 135-40	1	292
77125-3373	PSA 1034 4000/5 15 1-WA 2X100X10 135-40	1	293
77125-6962	PSA 1034 400/1 10 0,5-WA 2X100X10 135-40	1	292
77125-6963	PSA 1034 400/1 10 1-WA 2X100X10 135-40	1	293
77125-7062	PSA 1034 500/1 10 0,5-WA 2X100X10 135-40	1	292
77125-7063	PSA 1034 500/1 10 1-WA 2X100X10 135-40	1	293
77125-7162	PSA 1034 600/1 10 0,5-WA 2X100X10 135-40	1	292
77125-7163	PSA 1034 600/1 10 1-WA 2X100X10 135-40	1	293
77125-7362	PSA 1034 800/1 10 0,5-WA 2X100X10 135-40	1	292
77125-7363	PSA 1034 800/1 10 1-WA 2X100X10 135-40	1	293
77125-7373	PSA 1034 800/1 15 1-WA 2X100X10 135-40	1	293
77125-7462	PSA 1034 1000/1 10 0,5-WA2X100X10 135-40	1	292
77125-7463	PSA 1034 1000/1 10 1-WA 2X100X10 135-40	1	293
77125-7473	PSA 1034 1000/1 15 1-WA 2X100X10 135-40	1	293
77125-7562	PSA 1034 1200/1 10 0,5-WA 2X100X10 135-40	1	292
77125-7563	PSA 1034 1200/1 10 1-WA 2X100X10 135-40	1	293
77125-7572	PSA 1034 1200/1 15 0,5-WA 2X100X10 135-40	1	292
77125-7573	PSA 1034 1200/1 15 1-WA 2X100X10 135-40	1	293
77125-7662	PSA 1034 1250/1 10 0,5-WA2X100X10 135-40	1	292
77125-7663	PSA 1034 1250/1 10 1-WA 2X100X10 135-40	1	293
77125-7672	PSA 1034 1250/1 15 0,5-WA2X100X10 135-40	1	292
77125-7673	PSA 1034 1250/1 15 1-WA 2X100X10 135-40	1	293
77125-7762	PSA 1034 1500/1 10 0,5-WA2X100X10 135-40	1	292
77125-7763	PSA 1034 1500/1 10 1-WA 2X100X10 135-40	1	293
77125-7772	PSA 1034 1500/1 15 0,5-WA2X100X10 135-40	1	292
77125-7773	PSA 1034 1500/1 15 1-WA 2X100X10 135-40	1	293
77125-7862	PSA 1034 1600/1 10 0,5-WA 2X100X10 135-40	1	292
77125-7863	PSA 1034 1600/1 10 1-WA 2X100X10 135-40	1	293
77125-7872	PSA 1034 1600/1 15 0,5-WA 2X100X10 135-40	1	292
77125-7873	PSA 1034 1600/1 15 1-WA 2X100X10 135-40	1	293
77125-7962	PSA 1034 2000/1 10 0,5-WA2x100x10 135-40	1	292
77125-7963	PSA 1034 2000/1 10 1-WA 2X100X10 135-40	1	293
77125-7972	PSA 1034 2000/1 15 0,5-WA2X100X10 135-40	1	292
77125-7973	PSA 1034 2000/1 15 1-WA 2X100X10 135-40	1	293
77125-8162	PSA 1034 2500/1 10 0,5-WA2X100X10 135-40	1	292
77125-8163	PSA 1034 2500/1 10 1-WA 2X100X10 135-40	1	293
77125-8172	PSA 1034 2500/1 15 0,5-WA2X100X10 135-40	1	292
77125-8173	PSA 1034 2500/1 15 1-WA 2X100X10 135-40	1	293
77125-8262	PSA 1034 3000/1 10 0,5-WA 2X100X10 135-40	1	292
77125-8263	PSA 1034 3000/1 10 1-WA 2X100X10 135-40	1	293
77125-8272	PSA 1034 3000/1 15 0,5-WA2X100X10 135-40	1	292
77125-8273	PSA 1034 3000/1 15 1-WA 2X100X10 135-40	1	293
77125-8362	PSA 1034 4000/1 10 0,5-WA 2X100X10 135-40	1	292
77125-8363	PSA 1034 4000/1 10 1-WA 2X100X10 135-40	1	293
77125-8372	PSA 1034 4000/1 15 0,5-WA2X100X10 135-40	1	292
77125-8373	PSA 1034 4000/1 15 1-WA 2X100X10 135-40	1	293
77127-2373	PSA 1254 800/5 15 1-WA 3X120X10 160-40	1	294
77127-2462	PSA 1254 1000/5 10 0,5-WA 3X120X10 160-40	1	293
77127-2473	PSA 1254 1000/5 15 1-WA 3X120X10 160-40	1	294
77127-2562	PSA 1254 1200/5 10 0,5-WA 3X120X10 160-40	1	293
77127-2573	PSA 1254 1200/5 15 1-WA 3X120X10 160-40	1	294

Order number index

Order number	Designation	UP	Page
77127-2662	PSA 1254 1250/5 10 0,5-WA 3X120X10 160-40	1	293
77127-2673	PSA 1254 1250/5 15 1-WA 3X120X10 160-40	1	294
77127-2762	PSA 1254 1500/5 10 0,5-WA 3X120X10 160-40	1	293
77127-2773	PSA 1254 1500/5 15 1-WA 3X120X10 160-40	1	294
77127-2862	PSA 1254 1600/5 10 0,5-WA 3X120X10 160-40	1	293
77127-2873	PSA 1254 1600/5 15 1-WA 3X120X10 160-40	1	294
77127-2962	PSA 1254 2000/2 10 0,5 - WA 3x120x10 160-40	1	293
77127-2973	PSA 1254 2000/5 15 1-WA 3X120X10 160-40	1	294
77127-3162	PSA 1254 2500/2 10 0,5 - WA 3x120x10 160-40	1	293
77127-3173	PSA 1254 2500/5 15 1-WA 3X120X10 160-40	1	294
77127-3262	PSA 1254 3000/2 10 0,5 - WA 3x120x10 160-40	1	293
77127-3273	PSA 1254 3000/5 15 1-WA 3X120X10 160-40	1	294
77127-3362	PSA 1254 4000/2 10 0,5 - WA 3x120x10 160-40	1	293
77127-3373	PSA 1254 4000/5 15 1-WA 3X120X10 160-40	1	294
77127-3462	PSA 1254 5000/2 10 0,5 - WA 3x120x10 160-40	1	293
77127-7373	PSA 1254 800/1 15 1-WA 3X120X10 160-40	1	294
77127-7462	PSA 1254 1000/1 10 0,5-WA3X120X10 160-40	1	293
77127-7473	PSA 1254 1000/1 15 1-WA3X120X10 160-40	1	294
77127-7562	PSA 1254 1200/1 10 0,5-WA3X120X10 160-40	1	293
77127-7573	PSA 1254 1200/1 15 1-WA3X120X10 160-40	1	294
77127-7662	PSA 1254 1250/1 10 0,5-WA3X120X10 160-40	1	293
77127-7673	PSA 1254 1250/1 15 1-WA3X120X10 160-40	1	294
77127-7762	PSA 1254 1500/1 10 0,5-WA3X120X10 160-40	1	293
77127-7773	PSA 1254 1500/1 15 1-WA3X120X10 160-40	1	294
77127-7862	PSA 1254 1600/1 10 0,5-WA3X120X10 160-40	1	293
77127-7873	PSA 1254 1600/1 15 1-WA3X120X10 160-40	1	294
77127-7962	PSA 1254 2000/1 10 0,5-WA3X120X10 160-40	1	293
77127-7973	PSA 1254 2000/1 15 1-WA3X120X10 160-40	1	294
77127-8162	PSA 1254 2500/1 10 0,5-WA 3X120X10 160-4	1	293
77127-8173	PSA 1254 2500/1 15 1-WA 3X120X10 160-40	1	294
77127-8262	PSA 1254 3000/1 10 0,5-WA3X120X10 160-40	1	294
77127-8273	PSA 1254 3000/1 15 1-WA 3X120X10 160-40	1	294
77127-8362	PSA 1254 4000/1 10 0,5-WA 3X120X10 160-40	1	294
77127-8373	PSA 1254 4000/1 15 1-WA 3X120X10 160-40	1	294
77127-8462	PSA 1274 5000/2 15 1 - WA 4x120x10 160-40	1	294
77127-8473	PSA 1254 5000/1 15 1-WA 3X120X10 160-40	1	294
77128-2862	PSA 1274 1600/5 10 0,5-WA4X120X10 160-40	1	294
77128-2873	PSA 1274 1600/5 15 1-WA 3X120X10 160-40	1	295
77128-2962	PSA 1274 2000/5 10 0,5-WA3X120X10 160-40	1	294
77128-2973	PSA 1274 2000/5 15 1-WA 4X120X10 160-40	1	295
77128-3162	PSA 1274 2500/5 10 0,5-WA 4X120X10 160-40	1	294
77128-3173	PSA 1274 2500/5 15 1-WA 4X120X10 160-40	1	295
77128-3262	PSA 1274 3000/5 10 0,5-WA4X120X10 160-40	1	294
77128-3273	PSA 1274 3000/5 15 1-WA 4X120X10 160-40	1	295
77128-3362	PSA 1274 4000/5 10 0,5-WA4X120X10 160-40	1	294
77128-3363	PSA 1274 4000/5 10 1-WA 4X120X10 160-40	1	295
77128-3373	PSA 1274 4000/5 15 1-WA 4X120X10 160-40	1	295
77128-3473	PSA 1274 5000/1 15 1-WA 4X120X10 160-40	1	295
77128-7862	PSA 1274 1600/1 10 0,5-WA 4X120X10 160-4	1	294
77128-7873	PSA 1274 1600/1 15 1-WA 4X120X10 160-4	1	295
77128-7962	PSA 1274 2000/1 10 0,5-WA 4X120X10 160-4	1	294
77128-7973	PSA 1274 2000/1 15 1-WA 4X120X10 160-4	1	295
77128-8162	PSA 1274 2500/1 10 0,5-WA 4X120X10 160-4	1	294
77128-8173	PSA 1274 2500/1 15 1-WA 4X120X10 160-4	1	295
77128-8262	PSA 1274 3000/1 10 0,5-WA 4X120X10 160-40	1	294
77128-8273	PSA 1274 3000/1 15 1-WA 4X120X10 160-40	1	295
77128-8362	PSA 1274 4000/1 10 0,5-WA 4X120X10 160-40	1	294
77128-8373	PSA 1274 4000/1 15 1-WA 4X120X10 160-40	1	295
77128-8473	PSA 1274 5000/1 15 1-WA 4X120X10 160-40	1	295
77150-1533	150/5 A, 2,5 VA, Kl. 1	1	330
77150-1743	250/5 A, 5 VA, Kl. 1	1	330
77150-1836	300/5 A, 2,5 VA, Kl. 0,5s	1	330
77150-1936	400/5 A, 2,5 VA, Kl. 0,5s 1-3	1	330
77150-1943	400/5 A, 5 VA, Kl. 1	1	330
77150-2135	600/5 A, 2,5 VA, Kl. 0,2s 1-3	1	330
77150-2143	600/5 A, 5 VA, Kl. 1	1	330
77150-2146	600/5 A, 5 VA, Kl. 0,5s	1	330
77150-2343	800/5 A, 5 VA, Kl. 1	1	330
77150-6533	150/1 A, 2,5 VA, Kl. 1	1	330
77150-6732	250/1 A, 2,5 VA, Kl. 0,5	1	330
77150-6743	250/1, 5 VA, Kl. 1	1	330
77150-6942	400/1, 5 VA, Kl. 0,5	1	330
77150-6943	400/1 A, 5 VA, Kl. 1	1	330
77150-7142	600/1 A, 5 VA, Kl. 0,5	1	330
77150-7143	600/1 A, 5 VA, Kl. 1	1	330
77251-0913	PSR 200 50/5 1,0 1-WR 21 44-30	3	296
77251-1023	PSR 200 60/5 1,5 1-WR 21 44-30	3	296
77251-1193	PSR 200 75/5 2,0 1-WR 21 44-30	3	296
77251-1223	PSR 200 80/5 1,5 1-WR 21 44-30	3	296
77251-1293	PSR 200 80/5 2,0 1-WR 21 44-30	3	296
77251-1322	PSR 200 100/5 1,5 0,5-WR 21 44-30	3	296
77251-1333	PSR 200 100/5 2,5 1-WR 21 44-30	3	296
77251-1422	PSR 200 125/5 1,5 0,5-WR 21 44-30	3	296
77251-1433	PSR 200 125/5 2,5 1-WR 21 44-30	3	296
77251-1522	PSR 200 150/5 1,5 0,5-WR 21 44-30	3	296
77251-1533	PSR 200 150/5 2,5 1-WR 21 44-30	3	296
77251-1632	PSR 200 200/5 2,5 0,5-WR 21 44-30	3	296
77251-1643	PSR 200 200/5 5,0 1-WR 21 44-30	3	296
77251-1733	PSR 200 250/5 2,5 1-WR 21 44-30	3	296
77251-1742	PSR 200 250/5 5,0 0,5-WR 21 44-30	3	296

Order number index

Order number	Designation	UP	Page
77251-1743	PSR 200 250/5 5,0 1-WR 21 44-30	3	296
77251-1842	PSR 200 300/5 5,0 0,5-WR 21 44-30	3	296
77251-1843	PSR 200 300/5 5,0 1-WR 21 44-30	3	296
77251-5913	PSR 200 50/1 1,0 1-WR 21 44-30	3	296
77251-6013	PSR 200 60/1 1,0 1-WR 21 44-30	3	296
77251-6023	PSR 200 60/1 1,5 1-WR 21 44-30	3	296
77251-6193	PSR 200 75/1 2,0 1-WR 21 44-30	3	296
77251-6293	PSR 200 80/1 2,0 1-WR 21 44-30	3	296
77251-6322	PSR 200 100/1 1,5 0,5-WR 21 44-30	3	296
77251-6333	PSR 200 100/1 2,5 1-WR 21 44-30	3	296
77251-6422	PSR 200 125/1 1,5 0,5-WR 21 44-30	3	296
77251-6433	PSR 200 125/1 2,5 1-WR 21 44-30	3	296
77251-6522	PSR 200 150/1 1,5 0,5-WR 21 44-30	3	296
77251-6533	PSR 200 150/1 2,5 1-WR 21 44-30	3	296
77251-6632	PSR 200 200/1 2,5 0,5-WR 21 44-30	3	296
77251-6633	PSR 200 200/1 2,5 1-WR 21 44-30	3	296
77251-6742	PSR 200 250/1 5,0 0,5WR 21 44-30	3	296
77251-6743	PSR 200 250/1 5,0 1-WR 21 44-30	3	296
77251-6842	PSR 200 300/1 5,0 0,5-WR 21 44-30	3	296
77251-6843	PSR 200 300/1 5,0 1-WR 21 44-30	3	296
77252-0913	PSR 200.1 50/5 1,0 1-WR 21 44-30-S	3	297
77252-1023	PSR 200.1 60/5 1,5 1-WR 21 44-30-S	3	297
77252-1193	PSR 200.1 75/5 2 1-WR 21 44-30-S	3	297
77252-1333	PSR 200.1 100/5 2,5 1-WR 21 44-30-S	3	297
77252-1422	PSR 200.1 125/5 1,5 0,5-WR 21 44-30-S	3	296
77252-1433	PSR 200.1 125/5 2,5 1-WR 21 44-30-S	3	297
77252-1533	PSR 200.1 150/5 2,5 1-WR 21 44-30-S	3	297
77252-1643	PSR 200.1 200/5 5,0 1-WR 21 44-30-S	3	297
77252-1743	PSR 200.1 250/5 5 1-WR 21 44-30-S	3	297
77252-5913	PSR 200.1 50/1 1,0 1-WR 21 44-30-S	3	297
77252-6023	PSR 200.1 60/1 1,5 1-WR 21 44-30-S	3	297
77252-6193	PSR 200.1 75/1 2,5 1-WR 21 44-30-S	3	297
77252-6333	PSR 200.1 100/1 2,5 1-WR 21 44-30-S	3	297
77252-6433	PSR 200.1 125/1 2,5 1-WR 21 44-30-S	3	297
77252-6533	PSR 200.1 150/1 2,5 1-WR 21 44-30-S	3	297
77252-6743	PSR 200.1 250/1 5,0 1-WR 21 44-30-S	3	297
77253-1133	PSR 203 75/5 2,5 1-WR 21 50-30	3	297
77253-1233	PSR 203 80/5 2,5 1-WR 21 50-30	3	297
77253-1333	PSR 203 100/5 2,5 1-WR 21 50-30	3	297
77253-1432	PSR 203 125/5 2,5 0,5-WR 21 50-30	3	297
77253-1433	PSR 203 125/5 2,5 1-WR 21 50-30	3	297
77253-1532	PSR 203 150/5 2,5 0,5-WR 21 50-30	3	297
77253-1543	PSR 203 150/5 5,0 1-WR 21 50-30	3	297
77253-1632	PSR 203 200/5 2,5 0,5-WR 21 50-30	3	297
77253-1643	PSR 203 200/5 5,0 1-WR 21 50-30	3	297
77253-1732	PSR 203 250/5 2,5 0,5-WR 21 50-30	3	297
77253-1743	PSR 203 250/5 5,0 1-WR 21 50-30	3	297
77253-1842	PSR 203 300/5 5,0 0,5-WR 21 50-30	3	297
77253-1843	PSR 203 300/5 5,0 1-WR 21 50-30	3	297
77253-6133	PSR 203 75/1 2,5 1-WR 21 50-30	3	297
77253-6233	PSR 203 80/1 2,5 1-WR 21 50-30	3	297
77253-6333	PSR 203 100/1 2,5 1-WR 21 50-30	3	297
77253-6432	PSR 203 125/1 5 0,5-WR 21 50-30	3	297
77253-6433	PSR 203 125/1 5 1-WR 21 50-30	3	297
77253-6532	PSR 203 150/1 2,5 0,5-WR 21 50-30	3	297
77253-6543	PSR 203 150/1 5,0 1-WR 21 50-30	3	297
77253-6632	PSR 203 200/1 2,5 0,5-WR 21 50-30	3	297
77253-6643	PSR 203 200/1 5,0 1-WR 21 50-30	3	297
77253-6732	PSR 203 250/1 2,5 0,5-WR 21 50-30	3	297
77253-6743	PSR 203 250/1 5 1-WR 21 50-30	3	297
77253-6842	PSR 203 300/1 5,0 0,5-WR 21 50-30	3	297
77253-6843	PSR 203 300/1 5,0 1-WR 21 50-30	3	297
77254-0933	PSR 205 50/5 2,5 1-WR 21 50-50	3	298
77254-1022	PSR 205 60/5 1,5 0,5-WR 21 50-50	3	298
77254-1033	PSR 205 60/5 2,5 1-WR 21 50-50	3	298
77254-1122	PSR 205 75/5 1,5 0,5-WR 21 50-50	3	298
77254-1133	PSR 205 75/5 2,5 1-WR 21 50-50	3	298
77254-1232	PSR 205 80/5 2,5 0,5-WR 21 50-50	3	298
77254-1243	PSR 205 80/5 5,0 1-WR 21 50-50	3	298
77254-1332	PSR 205 100/5 2,5 0,5-WR 21 50-50	3	298
77254-1343	PSR 205 100/5 5,0 1-WR 21 50-50	3	298
77254-1442	PSR 205 125/5 5,0 0,5-WR 21 50-50	3	298
77254-1443	PSR 205 125/5 5,0 1-WR 21 50-50	3	298
77254-1542	PSR 205 150/5 5 0,5-WR 21 50-50	3	298
77254-1563	PSR 205 150/5 10 1-WR 21 50-50	3	298
77254-1642	PSR 205 200/5 5 0,5-WR 21 50-50	3	298
77254-1663	PSR 205 200/5 10 1-WR 21 50-50	3	298
77254-1742	PSR 205 250/5 5 0,5-WR 21 50-50	3	298
77254-1763	PSR 205 250/5 10 1-WR 21 50-50	3	298
77254-1842	PSR 205 300/5 5 0,5-WR 21 50-50	3	298
77254-1863	PSR 205 300/5 10 1-WR 21 50-50	3	298
77254-5922	PSR 205 50/1 1,5 0,5-WR 21 50-50	3	298
77254-5933	PSR 205 50/1 2,5 1-WR 21 50-50	3	298
77254-6022	PSR 205 60/1 1,5 0,5-WR 21 50-50	3	298
77254-6033	PSR 205 60/1 2,5 1-WR 21 50-50	3	298
77254-6122	PSR 205 75/1 1,5 0,5-WR 21 50-50	3	298
77254-6133	PSR 205 75/1 2,5 1-WR 21 50-50	3	298
77254-6232	PSR 205 80/1 2,5 0,5-WR 21 50-50	3	298
77254-6243	PSR 205 80/1 5 1-WR 21 50-50	3	298
77254-6332	PSR 205 100/1 2,55 0,5-WR 21 50-50	3	298

Order number index

Order number	Designation	UP	Page
77254-6343	PSR 205 100/1 5 1-WR 21 50-50	3	298
77254-6442	PSR 205 125/1 5 0,5-WR 21 50-50	3	298
77254-6443	PSR 205 125/1 5 1-WR 21 50-50	3	298
77254-6542	PSR 205 150/1 5 0,5-WR 21 50-50	3	298
77254-6543	PSR 205 150/1 5 1-WR 21 50-50	3	298
77254-6642	PSR 205 200/1 5 0,5-WR 21 50-50	3	298
77254-6643	PSR 205 200/1 5 1-WR 21 50-50	3	298
77254-6742	PSR 205 250/1 5 0,5-WR 21 50-50	3	298
77254-6743	PSR 205 250/1 5 1-WR 21 50-50	3	298
77254-6842	PSR 205 300/1 5 0,5-WR 21 50-50	3	298
77254-6843	PSR 205 300/1 5 1-WR 21 50-50	3	298
77255-0923	PSR 253 50/5 1,5 1-WR 22,5 60-30	3	299
77255-1033	PSR 253 60/5 2,5 1-WR 22,5 60-30	3	299
77255-1122	PSR 253 75/5 1,5 0,5-WR 22,5 60-30	3	298
77255-1133	PSR 253 75/5 2,5 1-WR 22,5 60-30	3	299
77255-1222	PSR 253 80/5 1,5 0,5-WR 22,5 60-30	3	298
77255-1233	PSR 253 80/5 2,5 1-WR 22,5 60-30	3	299
77255-1332	PSR 253 100/5 2,5 0,5-WR 22,5 60-30	3	298
77255-1343	PSR 253 100/5 5,0 1-WR 22,5 60-30	3	299
77255-1432	PSR 253 125/5 2,5 0,5-WR 22,5 60-30	3	298
77255-1443	PSR 253 125/5 5,0 1-WR 22,5 60-30	3	299
77255-1532	PSR 253 150/5 2,5 0,5-WR 22,5 60-30	3	298
77255-1543	PSR 253 150/5 5,0 1-WR 22,5 60-30	3	299
77255-1642	PSR 253 200/5 5,0 0,5-WR 22,5 60-30	3	298
77255-1643	PSR 253 200/5 5,0 1-WR 22,5 60-30	3	299
77255-1742	PSR 253 250/5 5,0 0,5-WR 22,5 60-30	3	299
77255-1743	PSR 253 250/5 5,0 1-WR 22,5 60-30	3	299
77255-1842	PSR 253 300/5 5,0 0,5-WR 22,5 60-30	3	299
77255-1843	PSR 253 300/5 5,0 1-WR 22,5 60-30	3	299
77255-1942	PSR 253 400/5 5,0 0,5-WR 22,5 60-30	3	299
77255-1943	PSR 253 400/5 5,0 1-WR 22,5 60-30	3	299
77255-2042	PSR 253 500/5 5,0 0,5-WR 22,5 60-30	3	299
77255-2043	PSR 253 500/5 5,0 1-WR 22,5 60-30	3	299
77255-2142	PSR 253 600/5 5,0 0,5 22,5 60-30	3	299
77255-2143	PSR 253 600/5 5,0 1-WR 22,5 60-30	3	299
77255-5923	PSR 253 50/1 1,5 1-WR 22,5 60-30	3	299
77255-6033	PSR 253 60/1 2,5 1-WR 22,5 60-30	3	299
77255-6122	PSR 253 75/1 1,5 0,5-WR 22,5 60-30	3	299
77255-6133	PSR 253 75/1 2,5 1-WR 22,5 60-30	3	299
77255-6222	PSR 253 80/1 1,5 0,5-WR 22,5 60-30	3	299
77255-6233	PSR 253 80/1 2,5 1-WR 22,5 60-30	3	299
77255-6332	PSR 253 100/1 2,5 0,5-WR 22,5 60-30	3	299
77255-6343	PSR 253 100/1 5,0 1-WR 22,5 60-30	3	299
77255-6432	PSR 253 125/1 2,5 0,5-WR 22,5 60-30	3	299
77255-6443	PSR 253 125/1 5 1-WR 22,5 60-30	3	299
77255-6532	PSR 253 150/1 2,5 0,5-WR 22,5 60-30	3	299
77255-6543	PSR 253 150/1 5,0 1-WR 22,5 60-30	3	299
77255-6642	PSR 253 200/1 5,0 0,5-WR 22,5 60-30	3	299
77255-6643	PSR 253 200/1 5,0 1-WR 22,5 60-30	3	299
77255-6742	PSR 253 250/1 5,0 0,5-WR 22,5 60-30	3	299
77255-6743	PSR 253 250/1 5,0 1-WR 22,5 60-30	3	299
77255-6763	PSR 253 250/1 10 1-WR 22,5 60-30	3	299
77255-6842	PSR 253 300/1 5,0 0,5-WR 22,5 60-30	3	299
77255-6843	PSR 253 300/1 5,0 1-WR 22,5 60-30	3	299
77255-6942	PSR 253 400/1 5,0 0,5-WR 22,5 60-30	3	299
77255-6943	PSR 253 400/1 5,0 1-WR 22,5 60-30	3	299
77255-7042	PSR 253 500/1 5,0 0,5-WR 22,5 60-30	3	299
77255-7043	PSR 253 500/1 5,0 1-WR 22,5 60-30	3	299
77255-7142	PSR 253 600/1 5,0 0,5-WR 22,5 60-30	3	299
77255-7143	PSR 253 600/1 5,0 1-WR 22,5 60-30	3	299
77256-1442	PSR 253/30 125/5 5 0,5-WR 30 60-30	3	300
77256-1443	PSR 253/30 125/5 5 1-WR 30 60-30	3	300
77256-1542	PSR 253/30 150/5 5 0,5-WR 30 60-30	3	300
77256-1543	PSR 253/30 150/5 5 1-WR 30 60-30	3	300
77256-1642	#N/A	3	300
77256-1643	PSR 253/30 200/5 5,0 1-WR 30 60-30	3	300
77256-1742	PSR 253/30 250/5 2,5 0,5-WR 30 60-30	3	300
77256-1743	PSR 253/30 250/5 5,0 1-WR 30 60-30	3	300
77256-1842	PSR 253/30 300/5 5,0 0,5-WR 30 60-30	3	300
77256-1843	PSR 253/30 300/5 5,0 1-WR 30 60-30	3	300
77256-1942	PSR 253/30 400/5 5,0 0,5-WR 30 60-30	3	300
77256-1943	PSR 253/30 400/5 5,0 1-WR 30 60-30	3	300
77256-2042	PSR 253/30 500/5 5 0,5-WR 30 60-30	3	300
77256-2043	PSR 253/30 500/5 5 1-WR 30 60-30	3	300
77256-2142	PSR 253/30 600/5 5,0 0,5-WR 30 60-30	3	300
77256-2143	PSR 253/30 600/5 5,0 1-WR 30 60-30	3	300
77256-2433	PSR 253/30 600/5 5,0 1-WR 30 60-30	3	300
77256-6442	PSR 253/30 125/1 5,0 0,5-WR 30 60-30	3	300
77256-6443	PSR 253/30 125/1 5,0 1-WR 30 60-30	3	300
77256-6542	PSR 253/30 150/1 5,0 0,5-WR 30 60-30	3	300
77256-6543	PSR 253/30 150/1 5,0 1-WR 30 60-30	3	300
77256-6642	PSR 253/30 200/1 2,5 0,5-WR 30 60-30	3	300
77256-6643	PSR 253/30 200/1 5,0 1-WR 30 60-30	3	300
77256-6742	PSR 253/30 250/1 2,5 0,5-WR 30 60-30	3	300
77256-6743	PSR 253/30 250/1 5,0 1-WR 30 60-30	3	300
77256-6842	PSR 253/30 300/1 5,0 0,5-WR 30 60-30	3	300
77256-6843	PSR 253/30 300/1 5,0 1-WR 30 60-30	3	300
77256-6942	PSR 253/30 400/1 5,0 0,5-WR 30 60-30	3	300
77256-6943	PSR 253/30 400/1 5,0 1-WR 30 60-30	3	300
77256-7042	PSR 253/30 500/1 5,0 0,5-WR 30 60-30	3	300

Order number index

Order number	Designation	UP	Page
77256-7043	PSR 253/30 500/1 5,0 1-WR 30 60-30	3	300
77256-7142	PSR 253/30 600/1 5,0 0,5-WR 30 60-30	3	300
77256-7143	PSR 253/30 600/1 5,0 1-WR 30 60-30	3	300
77283-6313	100/1, class 1, 1.25 VA, 3-phase measurement	1	330
77283-6522	150/1, class 0.5, 2 VA, 3-phase measurement	1	330
77283-6533	150/1, class 1, 2.5 VA, 3-phase measurement	1	330
77284-1533	150/5, class 1, 1.5 VA, 1-phase measurement	1	330
77284-6313	100/1, class 1, 1.25 VA, 1-phase measurement	1	330
77284-6533	150/1, class 1, 1.25 VA, 1-phase measurement	1	330
77287-1636	200/5 2,5 KL 0,5S	1	330
77287-1846	300/5 5,0 KL 0,5S	1	330
77287-1946	400/5 5,0 KL 0,5S	1	330
77287-2146	600/5 5,0 KL 0,5S	1	330
77362-0242	PSW 55 5/5 5,0 0,5-WW 55-70	1	301
77362-0243	PSW 55 5/5 5,0 1-WW 55-70	1	301
77362-0263	PSW 55 5/5 10 1-WW 55-70	1	301
77362-0342	PSW 55 10/5 5,0 0,5-WW 55-70	1	301
77362-0343	PSW 55 10/5 5,0 1-WW 55-70	1	301
77362-0363	PSW 55 10/5 10 1-WW 55-70	1	301
77362-0442	PSW 55 15/5 5,0 0,5-WW 55-70	1	301
77362-0443	PSW 55 15/5 5,0 1-WW 55-70	1	301
77362-0463	PSW 55 15/5 10 1-WW 55-70	1	301
77362-0542	PSW 55 20/5 5,0 0,5-WW 55-70	1	301
77362-0543	PSW 55 20/5 5,0 1-WW 55-70	1	301
77362-0563	PSW 55 20/5 10 1-WW 55-70	1	301
77362-0642	PSW 55 25/5 5,0 0,5-WW 55-70	1	301
77362-0643	PSW 55 25/5 5,0 1-WW 55-70	1	301
77362-0663	PSW 55 25/5 10 1-WW 55-70	1	301
77362-0742	PSW 55 30/5 5,0 0,5-WW 55-70	1	301
77362-0743	PSW 55 30/5 5,0 1-WW 55-70	1	301
77362-0763	PSW 55 30/5 10 1-WW 55-70	1	301
77362-0842	PSW 55 40/5 5,0 0,5-WW 55-70	1	301
77362-0843	PSW 55 40/5 5,0 1-WW 55-70	1	301
77362-0863	PSW 55 40/5 10 1-WW 55-70	1	301
77362-5142	PSW 55 5/1 5,0 0,5-WW 55-70	1	301
77362-5143	PSW 55 5/1 5,0 1-WW 55-70	1	301
77362-5163	PSW 55 5/1 10 1-WW 55-70	1	301
77362-5242	PSW 55 10/1 5,0 0,5-WW 55-70	1	301
77362-5243	PSW 55 10/1 5,0 1-WW 55-70	1	301
77362-5263	PSW 55 10/1 10 1-WW 55-70	1	301
77362-5342	PSW 55 15/1 5,0 0,5-WW 55-70	1	301
77362-5343	PSW 55 15/1 5,0 1-WW 55-70	1	301
77362-5363	PSW 55 15/1 10 1-WW 55-70	1	301
77362-5442	PSW 55 20/1 5,0 0,5-WW 55-70	1	301
77362-5443	PSW 55 20/1 5,0 1-WW 55-70	1	301
77362-5463	PSW 55 20/1 10 1-WW 55-70	1	301
77362-5542	PSW 55 25/1 5,0 0,5-WW 55-70	1	301
77362-5543	PSW 55 25/1 5,0 1-WW 55-70	1	301
77362-5563	PSW 55 25/1 10 1-WW 55-70	1	301
77362-5742	PSW 55 30/1 5,0 0,5-WW 55-70	1	301
77362-5743	PSW 55 30/1 5,0 1-WW 55-70	1	301
77362-5763	PSW 55 30/1 10 1-WW 55-70	1	301
77362-5842	PSW 55 40/1 5,0 0,5-WW 55-70	1	301
77362-5843	PSW 55 40/1 5,0 1-WW 55-70	1	301
77362-5863	PSW 55 40/1 10 1-WW 55-70	1	301
77364-0942	PSW 70 50/5 5,0 0,5-70	1	302
77364-0943	PSW 70 50/5 5,0 1-70	1	302
77364-0963	PSW 70 50/5 10 1-70	1	302
77364-1042	PSW 70 60/5 5,0 0,5-70	1	302
77364-1043	PSW 70 60/5 5,0 1-70	1	302
77364-1063	PSW 70 60/5 10 1-70	1	302
77364-1142	PSW 70 75/5 5,0 0,5-70	1	302
77364-1143	PSW 70 75/5 5,0 1-70	1	302
77364-1163	PSW 70 75/5 10 1-70	1	302
77364-1242	PSW 70 80/5 5,0 0,5-70	1	302
77364-1243	PSW 70 80/5 5,0 1-70	1	302
77364-1263	PSW 70 80/5 10 1-70	1	302
77364-1342	PSW 70 100/5 5,0 0,5-70	1	302
77364-1343	PSW 70 100/5 5,0 1-70	1	302
77364-1363	PSW 70 100/5 10 1-70	1	302
77364-1442	PSW 70 125/5 5,0 0,5-70	1	302
77364-1443	PSW 70 125/5 5,0 1-70	1	302
77364-1463	PSW 70 125/5 10 1-70	1	302
77364-1542	PSW 70 150/5 5,0 0,5-70	1	302
77364-1543	PSW 70 150/5 5,0 1-70	1	302
77364-1563	PSW 70 150/5 10 1-70	1	302
77364-1642	PSW 70 200/5 5,0 0,5-70	1	302
77364-1643	PSW 70 200/5 5,0 1-70	1	302
77364-1663	PSW 70 200/5 10 1-70	1	302
77364-5942	PSW 70 50/1 5,0 0,5-WW 55-70	1	302
77364-5943	PSW 70 50/1 5,0 1-WW 55-70	1	302
77364-5963	PSW 70 50/1 10 1-70	1	302
77364-6042	PSW 70 60/1 5,0 0,5-70	1	302
77364-6043	PSW 70 60/1 5,0 1-70	1	302
77364-6063	PSW 70 60/1 10 1-70	1	302
77364-6142	PSW 70 75/1 5,0 0,5-70	1	302
77364-6143	PSW 70 75/1 5,0 1-70	1	302
77364-6163	PSW 70 75/1 10 1-70	1	302
77364-6242	PSW 70 80/1 5,0 0,5-70	1	302
77364-6243	PSW 70 80/1 5,0 1-70	1	302

Order number index

Order number	Designation	UP	Page
77364-6263	PSW 70 80/1 10 1-70	1	302
77364-6342	PSW 70 100/1 5,0 0,5-70	1	302
77364-6343	PSW 70 100/1 5,0 1-70	1	302
77364-6363	PSW 70 100/1 10 1-70	1	302
77364-6442	PSW 70 125/1 5,0 0,5-70	1	302
77364-6443	PSW 70 125/1 5,0 1-70	1	302
77364-6463	PSW 70 125/1 10 1-70	1	302
77364-6542	PSW 70 150/1 5,0 0,5-70	1	302
77364-6543	PSW 70 150/1 5,0 1-70	1	302
77364-6563	PSW 70 150/1 10 1-70	1	302
77364-6642	PSW 70 200/1 5,0 0,5-70	1	302
77364-6643	PSW 70 200/1 5,0 1-70	1	302
77364-6663	PSW 70 200/1 10 1-70	1	302
77470-3442	PSS 2 5+5/5 5,0 0,5-WA 2 KREISE	1	303
77470-3443	PSS 2 5+5/5 5,0 1-WA 2 KREISE	1	303
77470-3462	PSS 2 5+5/5 10 0,5-WA 2 KREISE	1	303
77470-3463	PSS 2 5+5/5 10 1-WA 2 KREISE	1	303
77470-3472	PSS 2 5+5/5 15 0,5-WA 2 KREISE	1	303
77470-3473	PSS 2 5+5/5 15 1-WA 2 KREISE	1	303
77470-3962	PSS 2 1+1/5 10 0,5-WA 2 KREISE	1	303
77470-3963	PSS 2 1+1/5 10 0,5-WA 2 KREISE	1	303
77470-3972	PSS 2 1+1/5 15 0,5-WA 2 KREISE	1	303
77470-3973	PSS 2 1+1/5 15 1-WA 2 KREISE	1	303
77470-8742	PSS 2 5+5/1 5,0 0,5-WA 2 KREISE	1	303
77470-8743	PSS 2 5+5/1 5,0 1-WA 2 KREISE	1	303
77470-8762	PSS 2 5+5/1 10 0,5-WA 2 KREISE	1	303
77470-8763	PSS 2 5+5/1 10 1-WA 2 KREISE	1	303
77470-8772	PSS 2 5+5/1 15 0,5-WA 2 KREISE	1	303
77470-8773	PSS 2 5+5/1 15 1-WA 2 KREISE	1	303
77470-8942	PSS 2 1+1/1 5,0 0,5-WA 2 KREISE	1	303
77470-8943	PSS 2 1+1/1 5,0 1-WA 2 KREISE	1	303
77470-8962	PSS 2 1+1/1 10 0,5-WA 2 KREISE	1	303
77470-8963	PSS 2 1+1/1 10 1-WA 2 KREISE	1	303
77470-8972	PSS 2 1+1/1 15 0,5-WA 2 KREISE	1	303
77470-8973	PSS 2 1+1/1 15 1-WA 2 KREISE	1	303
77508-1126	EPSA 315 75/5 1,5 0,5S-WA 30X10 60-55	3	305
77508-1132	EPSA 315 75/5 2,5 0,5-WA 30X10 60-55	3	305
77508-1326	EPSA 315 100/5 1,5 0,5S-WA 30X10 60-55	3	305
77508-1331	EPSA 315 100/5 2,5 0,2-WA 30X10 60-55	3	305
77508-1332	EPSA 315 100/5 2,5 0,5-WA 30X10 60-55	3	305
77508-1336	EPSA 315 100/5 2,5 0,5S-WA 30X10 60-55	3	305
77508-1421	EPSA 315 125/5 1,5 0,2-WA 30X10 60-55	3	305
77508-1431	EPSA 315 125/5 2,5 0,2-WA 30X10 60-55	3	305
77508-1432	EPSA 315 125/5 2,5 0,5-WA 30X10 60-55	3	305
77508-1436	EPSA 315 125/5 2,5 0,5S-WA 30X10 60-55	3	305
77508-1442	EPSA 315 125/5 5,0 0,5-WA 30X10 60-55	3	305
77508-1532	EPSA 315 150/5 2,5 0,5-WA 30X10 60-55	3	305
77508-1536	EPSA 315 150/5 2,5 0,5S-WA 30X10 60-55	3	305
77508-1541	EPSA 315 150/5 5,0 0,2-WA 30X10 60-55	3	305
77508-1542	EPSA 315 150/5 5,0 0,5-WA 30X10 60-55	3	305
77508-1546	EPSA 315 150/5 5,0 0,5S-WA 30X10 60-55	3	305
77508-1562	EPSA 315 150/5 10 0,5-WA 30X10 60-55	3	305
77508-1631	EPSA 315 200/5 2,5 0,2-WA 30X10 60-55	3	305
77508-1632	EPSA 315 200/5 2,5 0,5-WA 30X10 60-55	3	305
77508-1636	EPSA 315 200/5 2,5 0,5S-WA 30X10 60-55	3	305
77508-1641	EPSA 315 200/5 5,0 0,2-WA 30X10 60-55	3	305
77508-1642	EPSA 315 200/5 5,0 0,5-WA 30X10 60-55	3	305
77508-1646	EPSA 315 200/5 5,0 0,5S-WA 30X10 60-55	3	305
77508-1662	EPSA 315 200/5 10 0,5-WA 30X10 60-55	3	305
77508-1672	EPSA 315 200/5 15 0,5-WA 30X10 60-55	3	305
77508-1731	EPSA 315 250/5 2,5 0,2-WA 30X10 60-55	3	305
77508-1732	EPSA 315 250/5 2,5 0,5-WA 30X10 60-55	3	305
77508-1736	EPSA 315 250/5 2,5 0,5S-WA 30X10 60-55	3	305
77508-1741	EPSA 315 250/5 5,0 0,2-WA 30X10 60-55	3	305
77508-1742	EPSA 315 250/5 5,0 0,5-WA 30X10 60-55	3	305
77508-1746	EPSA 315 250/5 5,0 0,5S-WA 30X10 60-55	3	305
77508-1762	EPSA 315 250/5 10 0,5-WA 30X10 60-55	3	305
77508-1766	EPSA 315 250/5 10 0,5S-WA 30X10 60-55	3	305
77508-1772	EPSA 315 250/5 15 0,5-WA 30X10 60-55	3	305
77508-1831	EPSA 315 300/5 2,5 0,2-WA 30X10 60-55	3	305
77508-1832	EPSA 315 300/5 2,5 0,5-WA 30X10 60-55	3	305
77508-1836	EPSA 315 300/5 2,5 0,5S-WA 30X10 60-55	3	305
77508-1841	EPSA 315 300/5 5,0 0,2-WA 30X10 60-55	3	305
77508-1842	EPSA 315 300/5 5,0 0,5-WA 30X10 60-55	3	305
77508-1846	EPSA 315 300/5 5,0 0,5S-WA 30X10 60-55	3	305
77508-1862	EPSA 315 300/5 10 0,5-WA 30X10 60-55	3	305
77508-1866	EPSA 315 300/5 10 0,5S-WA 30X10 60-55	3	305
77508-1872	EPSA 315 300/5 15 0,5-WA 30X10 60-55	3	305
77508-1931	EPSA 315 400/5 2,5 0,2-WA 30X10 60-55	3	305
77508-1932	EPSA 315 400/5 2,5 0,5-WA 30X10 60-55	3	305
77508-1936	EPSA 315 400/5 2,5 0,5S-WA 30X10 60-55	3	305
77508-1941	EPSA 315 400/5 5,0 0,2-WA 30X10 60-55	3	305
77508-1942	EPSA 315 400/5 5,0 0,5-WA 30X10 60-55	3	305
77508-1946	EPSA 315 400/5 5,0 0,5S-WA 30X10 60-55	3	305
77508-1961	EPSA 315 400/5 10 0,2-WA 30X10 60-55	3	305
77508-1962	EPSA 315 400/5 10 0,5-WA 30X10 60-55	3	305
77508-1966	EPSA 315 400/5 10 0,5S-WA 30X10 60-55	3	305
77508-1971	EPSA 315 400/5 15 0,2-WA 30X10 60-55	3	305
77508-1972	EPSA 315 400/5 15 0,5-WA 30X10 60-55	3	305
77508-1976	EPSA 315 400/5 15 0,5S-WA 30X10 60-55	3	306

Order number index

Order number	Designation	UP	Page
77508-2031	EPSA 315 500/5 2,5 0,2-WA 30X10 60-55	3	306
77508-2032	EPSA 315 500/5 2,5 0,5-WA 30X10 60-55	3	306
77508-2036	EPSA 315 500/5 2,5 0,5S-WA 30X10 60-55	3	306
77508-2041	EPSA 315 500/5 5,0 0,2-WA 30X10 60-55	3	306
77508-2042	EPSA 315 500/5 5,0 0,5-WA 30X10 60-55	3	306
77508-2046	EPSA 315 500/5 5,0 0,5S-WA 30X10 60-55	3	306
77508-2061	EPSA 315 500/5 10 0,2-WA 30X10 60-55	3	306
77508-2062	EPSA 315 500/5 10 0,5-WA 30X10 60-55	3	306
77508-2066	EPSA 315 500/5 10 0,5S-WA 30X10 60-55	3	306
77508-2071	EPSA 315 500/5 15 0,2-WA 30X10 60-55	3	306
77508-2072	EPSA 315 500/5 15 0,5-WA 30X10 60-55	3	306
77508-2076	EPSA 315 500/5 15 0,5S-WA 30X10 60-55	3	306
77508-2131	EPSA 315 600/5 2,5 0,2-WA 30X10 60-55	3	306
77508-2132	EPSA 315 600/5 2,5 0,5-WA 30X10 60-55	3	306
77508-2136	EPSA 315 600/5 2,5 0,5S-WA 30X10 60-55	3	306
77508-2141	EPSA 315 600/5 5,0 0,2-WA 30X10 60-55	3	306
77508-2142	EPSA 315 600/5 5,0 0,5-WA 30X10 60-55	3	306
77508-2146	EPSA 315 600/5 5,0 0,5S-WA 30X10 60-55	3	306
77508-2161	EPSA 315 600/5 10 0,2-WA 30X10 60-55	3	306
77508-2162	EPSA 315 600/5 10 0,5-WA 30X10 60-55	3	306
77508-2166	EPSA 315 600/5 10 0,5S-WA 30X10 60-55	3	306
77508-2171	EPSA 315 600/5 15 0,2-WA 30X10 60-55	3	306
77508-2172	EPSA 315 600/5 15 0,5-WA 30X10 60-55	3	306
77508-2176	EPSA 315 600/5 15 0,5S-WA 30X10 60-55	3	306
77511-1632	EPSA 415 200/5 2,5 0,5-WA 40X10 60-55	3	306
77511-1642	EPSA 415 200/5 5,0 0,5-WA 40X10 60-55	3	306
77511-1732	EPSA 415 250/5 2,5 0,5-WA 40X10 60-55	3	306
77511-1736	EPSA 415 250/5 2,5 0,5s-WA 40X10 60-55	3	306
77511-1742	EPSA 415 250/5 5,0 0,5-WA 40X10 60-55	3	306
77511-1746	EPSA 415 250/5 5,0 0,5s-WA 40X10 60-55	3	306
77511-1832	EPSA 415 300/5 2,5 0,5-WA 40X10 60-55	3	306
77511-1836	EPSA 415 300/5 2,5 0,5s-WA 40X10 60-55	3	306
77511-1842	EPSA 415 300/5 5,0 0,5-WA 40X12 60-55	3	306
77511-1846	EPSA 415 300/5 5,0 0,5s-WA 40X12 60-55	3	306
77511-1862	EPSA 415 300/5 10 0,5-WA 40X12 60-55	3	306
77511-1931	EPSA 415 400/5 2,5 0,2-WA 40X10 60-55	3	306
77511-1932	EPSA 415 400/5 2,5 0,5-WA 40X10 60-55	3	306
77511-1936	EPSA 415 400/5 2,5 0,5s-WA 40X10 60-55	3	306
77511-1941	EPSA 415 400/5 5,0 0,2-WA 40X10 60-55	3	306
77511-1942	EPSA 415 400/5 5,0 0,5-WA 40X12 60-55	3	306
77511-1946	EPSA 415 400/5 5,0 0,5s-WA 40X12 60-55	3	306
77511-1962	EPSA 415 400/5 10 0,5-WA 40X12 60-55	3	306
77511-1966	EPSA 415 400/5 10 0,5s-WA 40X12 60-55	3	306
77511-2031	EPSA 415 500/5 2,5 0,2-WA 40X10 60-55	3	306
77511-2032	EPSA 415 500/5 2,5 0,5-WA 40X10 60-55	3	306
77511-2036	EPSA 415 500/5 2,5 0,5s-WA 40X10 60-55	3	306
77511-2041	EPSA 415 500/5 5,0 0,2-WA 40X12 60-55	3	306
77511-2042	EPSA 415 500/5 5,0 0,5-WA 40X12 60-55	3	306
77511-2046	EPSA 415 500/5 5,0 0,5s-WA 40X12 60-55	3	307
77511-2062	EPSA 415 500/5 10 0,5-WA 40X12 60-55	3	307
77511-2066	EPSA 415 500/5 10 0,5S-WA 40X12 60-55	3	307
77511-2131	EPSA 415 600/5 2,5 0,2-WA 40X10 60-55	3	307
77511-2132	EPSA 415 600/5 2,5 0,5-WA 40X10 60-55	3	307
77511-2136	EPSA 415 600/5 2,5 0,5s-WA 40X10 60-55	3	307
77511-2141	EPSA 415 600/5 5,0 0,2-WA 40X10 60-55	3	307
77511-2142	EPSA 415 600/5 5,0 0,5-WA 40X12 60-55	3	307
77511-2146	EPSA 415 600/5 5,0 0,5s-WA 40X12 60-55	3	307
77511-2162	EPSA 415 600/5 10 0,5-WA 40X12 60-55	3	307
77511-2166	EPSA 415 600/5 10 0,5s-WA 40X12 60-55	3	307
77511-2172	EPSA 415 600/5 15 0,5-WA 40X12 60-55	3	307
77512-1532	EPSA 417.1 150/5 2,5 0,5-WA 40X12 70-55	3	307
77512-1536	EPSA 417.1 150/5 2,5 0,5S-WA 40X12 70-55	3	307
77512-1546	EPSA 417.1 150/5 5,0 0,5S-WA 40X12 70-55	3	307
77512-1592	EPSA 417.1 150/5 2,5 0,5s	3	307
77512-1631	EPSA 417.1 200/5 2,5 0,2-WA 40X12 70-55	3	307
77512-1632	EPSA 417.1 200/5 2,5 0,5-WA 40X12 70-55	3	307
77512-1636	EPSA 417.1 200/5 2,5 0,5S-WA 40X12 70-55	3	307
77512-1646	EPSA 417.1 200/5 5,0 0,5S-WA 40X12 70-55	3	307
77512-1731	EPSA 417.1 250/5 2,5 0,2-WA 40X12 70-55	3	307
77512-1732	EPSA 417.1 250/5 2,5 0,5-WA 40X12 70-55	3	307
77512-1736	EPSA 417.1 250/5 2,5 0,5S-WA 40X12 70-55	3	307
77512-1742	EPSA 417.1 250/5 5,0 0,5-WA 40X12 70-55	3	307
77512-1746	EPSA 417.1 250/5 5,0 0,5S-WA 40X12 70-55	3	307
77512-1766	EPSA 417.1 250/5 10 0,5S-WA 40X12 70-55	3	307
77512-1831	EPSA 417.1 300/5 2,5 0,2-WA 40X12 70-55	3	307
77512-1832	EPSA 417.1 300/5 2,5 0,5-WA 40X12 70-55	3	307
77512-1836	EPSA 417.1 300/5 2,5 0,5S-WA 40X12 70-55	3	307
77512-1841	EPSA 417.1 300/5 5,0 0,2-WA 40X12 70-55	3	307
77512-1842	EPSA 417.1 300/5 5,0 0,5-WA 40X12 70-55	3	307
77512-1846	EPSA 417.1 300/5 5,0 0,5S-WA 40X12 70-55	3	307
77512-1862	EPSA 417.1 300/5 10 0,5-WA 40X12 70-55	3	307
77512-1866	EPSA 417.1 300/5 10 0,5s-WA 40X12 70-55	3	307
77512-1931	EPSA 417.1 400/5 2,5 0,2-WA 40X12 70-55	3	307
77512-1932	EPSA 417.1 400/5 2,5 0,5-WA 40X12 70-55	3	307
77512-1936	EPSA 417.1 400/5 2,5 0,5S-WA 40X12 70-55	3	307
77512-1941	EPSA 417.1 400/5 5,0 0,2-WA 40X12 70-55	3	307
77512-1942	EPSA 417.1 400/5 5,0 0,5-WA 40X12 70-55	3	307
77512-1946	EPSA 417.1 400/5 5,0 0,5S-WA 40X12 70-55	3	307
77512-1962	EPSA 417.1 400/5 10 0,5-WA 40X12 70-55	3	307
77512-1966	EPSA 417.1 400/5 10 0,5s-WA 40X12 70-55	3	307

Order number index

Order number	Designation	UP	Page
77512-1976	EPSA 417.1 400/5 15 0,5s-WA 40X12 70-55	3	307
77512-2031	EPSA 417.1 500/5 2,5 0,2-WA 40X12 70-55	3	307
77512-2032	EPSA 417.1 500/5 2,5 0,5-WA 40X12 70-55	3	307
77512-2036	EPSA 417.1 500/5 2,5 0,5S-WA 40X12 70-55	3	307
77512-2041	EPSA 417.1 500/5 5,0 0,2-WA 40X12 70-55	3	307
77512-2042	EPSA 417.1 500/5 5,0 0,5-WA 40X12 70-55	3	307
77512-2046	EPSA 417.1 500/5 5,0 0,5S-WA 40X12 70-55	3	307
77512-2062	EPSA 417.1 500/5 10 0,5-WA 40X12 70-55	3	308
77512-2066	EPSA 417.1 500/5 10 0,5s-WA 40X12 70-55	3	308
77512-2076	EPSA 417.1 500/5 15 0,5s-WA 40X12 70-55	3	308
77512-2131	EPSA 417.1 600/5 2,5 0,2-WA 40X12 70-55	3	308
77512-2132	EPSA 417.1 600/5 2,5 0,5-WA 40X12 70-55	3	308
77512-2136	EPSA 417.1 600/5 2,5 0,5S-WA 40X12 70-55	3	308
77512-2141	EPSA 417.1 600/5 5,0 0,2-WA 40X12 70-55	3	308
77512-2142	EPSA 417.1 600/5 5,0 0,5-WA 40X12 70-55	3	308
77512-2146	EPSA 417.1 600/5 5,0 0,5S-WA 40X12 70-55	3	308
77512-2162	EPSA 417.1 600/5 10 0,5-WA 40X12 70-55	3	308
77512-2166	EPSA 417.1 600/5 10 0,5s-WA 40X12 70-55	3	308
77512-2172	EPSA 417.1 600/5 15 0,5-WA 40X12 70-55	3	308
77512-2176	EPSA 417.1 600/5 15 0,5s-WA 40X12 70-55	3	308
77512-2231	EPSA 417.1 750/5 2,5 0,2-WA 40X12 70-55	3	308
77512-2232	EPSA 417.1 750/5 2,5 0,5-WA 40X12 70-55	3	308
77512-2236	EPSA 417.1 750/5 2,5 0,5S-WA 40X12 70-55	3	308
77512-2241	EPSA 417.1 750/5 5,0 0,2-WA 40X12 70-55	3	308
77512-2242	EPSA 417.1 750/5 5,0 0,5-WA 40X12 70-55	3	308
77512-2246	EPSA 417.1 750/5 5,0 0,5S-WA 40X12 70-55	3	308
77512-2262	EPSA 417.1 750/5 10 0,5-WA 40X12 70-55	3	308
77512-2266	EPSA 417.1 750/5 10 0,5s-WA 40X12 70-55	3	308
77512-2272	EPSA 417.1 750/5 15 0,5-WA 40X12 70-55	3	308
77512-2276	EPSA 417.1 750/5 15 0,5s-WA 40X12 70-55	3	308
77512-2331	EPSA 417.1 800/5 2,5 0,2-WA 40X12 70-55	3	308
77512-2332	EPSA 417.1 800/5 2,5 0,5-WA 40X12 70-55	3	308
77512-2336	EPSA 417.1 800/5 2,5 0,5S-WA 40X12 70-55	3	308
77512-2341	EPSA 417.1 800/5 5,0 0,2-WA 40X12 70-55	3	308
77512-2342	EPSA 417.1 800/5 5,0 0,5-WA 40X12 70-55	3	308
77512-2346	EPSA 417.1 800/5 5,0 0,5S-WA 40X12 70-55	3	308
77512-2362	EPSA 417.1 800/5 10 0,5-WA 40X12 70-55	3	308
77512-2366	EPSA 417.1 800/5 10 0,5s-WA 40X12 70-55	3	308
77512-2372	EPSA 417.1 800/5 15 0,5-WA 40X12 70-55	3	308
77512-2376	EPSA 417.1 800/5 15 0,5s-WA 40X12 70-55	3	308
77512-2431	EPSA 417.1 1000/5 2,5 0,2-WA 40X12 70-55	3	308
77512-2432	EPSA 417.1 1000/5 2,5 0,5-WA 40X12 70-55	3	308
77512-2436	EPSA 417.1 1000/5 2,5 0,5S-WA 40X12 70-55	3	308
77512-2441	EPSA 417.1 1000/5 5,0 0,2-WA 40X12 70-55	3	308
77512-2442	EPSA 417.1 1000/5 5,0 0,5-WA 40X12 70-55	3	308
77512-2446	EPSA 417.1 1000/5 5,0 0,5S-WA 40X12 70-55	3	308
77512-2461	EPSA 417.1 1000/5 5,0 0,2-WA 40X12 70-55	3	308
77512-2462	EPSA 417.1 1000/5 10 0,5-WA 40X12 70-55	3	308
77512-2466	EPSA 417.1 1000/5 10 0,5s-WA 40X12 70-55	3	308
77512-2472	EPSA 417.1 1000/5 15 0,5-WA 40X12 70-55	3	308
77512-2476	EPSA 417.1 1000/5 15 0,5s-WA 40X12 70-55	3	308
77516-1831	EPSA 514 300/5 2,5 0,2-WA 40X30 100-40	1	310
77516-1841	EPSA 514 300/5 5 0,2-WA 40X30 100-40	1	310
77516-1842	EPSA 514 300/5 5 0,5-WA 40X30 100-40	1	310
77516-1846	EPSA 514 300/5 5 0,5s-WA 40X30 100-40	1	310
77516-1861	EPSA 514 300/5 10 0,2-WA 40X30 100-40	1	310
77516-1862	EPSA 514 300/5 10 0,5-WA 40X30 100-40	1	310
77516-1866	EPSA 514 300/5 10 0,5s-WA 40X30 100-40	1	310
77516-1872	EPSA 514 300/5 15 0,5-WA 40X30 100-40	1	310
77516-1876	EPSA 514 300/5 15 0,5s-WA 40X30 100-40	1	310
77516-1931	EPSA 514 400/5 2,5 0,2-WA 40X30 100-40	1	310
77516-1941	EPSA 514 400/5 5 0,2-WA 40X30 100-40	1	310
77516-1942	EPSA 514 400/5 5 0,5-WA 40X30 100-40	1	310
77516-1946	EPSA 514 400/5 5 0,5s-WA 40X30 100-40	1	310
77516-1961	EPSA 514 400/5 10 0,2-WA 40X30 100-40	1	310
77516-1962	EPSA 514 400/5 10 0,5-WA 40X30 100-40	1	310
77516-1972	EPSA 514 400/5 15 0,5-WA 40X30 100-40	1	310
77516-1976	EPSA 514 400/5 15 0,5s-WA 40X30 100-40	1	310
77516-2041	EPSA 514 500/5 5 0,2-WA 40X30 100-40	1	310
77516-2042	EPSA 514 500/5 5 0,5-WA 40X30 100-40	1	310
77516-2046	EPSA 514 500/5 5 0,5s-WA 40X30 100-40	1	310
77516-2061	EPSA 514 500/5 10 0,2-WA 40X30 100-40	1	310
77516-2062	EPSA 514 500/5 10 0,5-WA 40X30 100-40	1	310
77516-2066	EPSA 514 500/5 10 0,5s-WA 40X30 100-40	1	310
77516-2072	EPSA 514 500/5 15 0,5-WA 40X30 100-40	1	310
77516-2076	EPSA 514 500/5 15 0,5s-WA 40X30 100-40	1	310
77516-2141	EPSA 514 600/5 5 0,2-WA 40X30 100-40	1	310
77516-2142	EPSA 514 600/5 5 0,5-WA 40X30 100-40	1	310
77516-2146	EPSA 514 600/5 5 0,5s-WA 40X30 100-40	1	310
77516-2161	EPSA 514 600/5 10 0,2-WA 40X30 100-40	1	310
77516-2162	EPSA 514 600/5 10 0,5-WA 40X30 100-40	1	310
77516-2166	EPSA 514 600/5 10 0,5s-WA 40X30 100-40	1	310
77516-2172	EPSA 514 600/5 15 0,5-WA 40X30 100-40	1	310
77516-2176	EPSA 514 600/5 15 0,5s-WA 40X30 100-40	1	310
77516-2182	EPSA 514 600/5 30 0,5-WA 40X30 100-40	1	310
77516-2186	EPSA 514 600/5 30 0,5s-WA 40X30 100-40	1	310
77516-2241	EPSA 514 750/5 5 0,2-WA 40X30 100-40	1	310
77516-2242	EPSA 514 750/5 5 0,5-WA 40X30 100-40	1	310
77516-2246	EPSA 514 750/5 5 0,5s-WA 40X30 100-40	1	310
77516-2261	EPSA 514 750/5 10 0,2-WA 40X30 100-40	1	310

Order number index

Order number	Designation	UP	Page
77516-2262	EPSA 514 750/5 10 0,5-WA 40X30 100-40	1	310
77516-2271	EPSA 514 750/5 15 0,2-WA 40X30 100-40	1	310
77516-2272	EPSA 514 750/5 15 0,5-WA 40X30 100-40	1	310
77516-2276	EPSA 514 750/5 15 0,5s-WA 40X30 100-40	1	310
77516-2282	EPSA 514 750/5 30 0,5-WA 40X30 100-40	1	310
77516-2286	EPSA 514 750/5 30 0,5s-WA 40X30 100-40	1	310
77516-2341	EPSA 514 800/5 5 0,2-WA 40X30 100-40	1	310
77516-2342	EPSA 514 800/5 5 0,5-WA 40X30 100-40	1	310
77516-2346	EPSA 514 800/5 5 0,5s-WA 40X30 100-40	1	310
77516-2361	EPSA 514 800/5 10 0,2-WA 40X30 100-40	1	310
77516-2362	EPSA 514 800/5 10 0,5-WA 40X30 100-40	1	310
77516-2366	EPSA 514 800/5 10 0,5s-WA 40X30 100-40	1	310
77516-2371	EPSA 514 800/5 15 0,2-WA 40X30 100-40	1	310
77516-2372	EPSA 514 800/5 15 0,5-WA 40X30 100-40	1	310
77516-2376	EPSA 514 800/5 15 0,5s-WA 40X30 100-40	1	310
77516-2381	EPSA 514 800/5 30 0,2-WA 40X30 100-40	1	310
77516-2382	EPSA 514 800/5 30 0,5-WA 40X30 100-40	1	311
77516-2386	EPSA 514 800/5 30 0,5s-WA 40X30 100-40	1	311
77516-2441	EPSA 514 1000/5 5 0,2-WA 40X30 100-40	1	311
77516-2442	EPSA 514 1000/5 5 0,5-WA 40X30 100-40	1	311
77516-2446	EPSA 514 1000/5 5 0,5s-WA 40X30 100-40	1	311
77516-2461	EPSA 514 1000/5 10 0,2-WA 40X30 100-40	1	311
77516-2462	EPSA 514 1000/5 10 0,5-WA 40X30 100-40	1	311
77516-2466	EPSA 514 1000/5 10 0,5s-WA 40X30 100-40	1	311
77516-2471	EPSA 514 1000/5 15 0,2-WA 40X30 100-40	1	311
77516-2472	EPSA 514 1000/5 15 0,5-WA 40X30 100-40	1	311
77516-2476	EPSA 514 1000/5 15 0,5s-WA 40X30 100-40	1	311
77516-2481	EPSA 514 1000/5 30 0,2-WA 40X30 100-40	1	311
77516-2482	EPSA 514 1000/5 30 0,5-WA 40X30 100-40	1	311
77516-2486	EPSA 514 1000/5 30 0,5s-WA 40X30 100-40	1	311
77516-2541	EPSA 514 1200/5 5 0,2-WA 40X30 100-40	1	311
77516-2542	EPSA 514 1200/5 5 0,5-WA 40X30 100-40	1	311
77516-2546	EPSA 514 1200/5 5 0,5s-WA 40X30 100-40	1	311
77516-2561	EPSA 514 1200/5 10 0,2-WA 40X30 100-40	1	311
77516-2562	EPSA 514 1200/5 10 0,5-WA 40X30 100-40	1	311
77516-2566	EPSA 514 1200/5 10 0,5s-WA 40X30 100-40	1	311
77516-2571	EPSA 514 1200/5 15 0,2-WA 40X30 100-40	1	311
77516-2572	EPSA 514 1200/5 15 0,5-WA 40X30 100-40	1	311
77516-2576	EPSA 514 1200/5 15 0,5s-WA 40X30 100-40	1	311
77516-2581	EPSA 514 1200/5 30 0,2-WA 40X30 100-40	1	311
77516-2582	EPSA 514 1200/5 30 0,5-WA 40X30 100-40	1	311
77516-2586	EPSA 514 1200/5 30 0,5s-WA 40X30 100-40	1	311
77516-2641	EPSA 514 1250/5 5 0,2-WA 40X30 100-40	1	311
77516-2642	EPSA 514 1250/5 5 0,5-WA 40X30 100-40	1	311
77516-2646	EPSA 514 1250/5 5 0,5s-WA 40X30 100-40	1	311
77516-2661	EPSA 514 1250/5 10 0,2-WA 40X30 100-40	1	311
77516-2662	EPSA 514 1250/5 10 0,5-WA 40X30 100-40	1	311
77516-2666	EPSA 514 1250/5 10 0,5s-WA 40X30 100-40	1	311
77516-2671	EPSA 514 1250/5 15 0,2-WA 40X30 100-40	1	311
77516-2672	EPSA 514 1250/5 15 0,5-WA 40X30 100-40	1	311
77516-2676	EPSA 514 1250/5 15 0,5s-WA 40X30 100-40	1	311
77516-2681	EPSA 514 1250/5 30 0,2-WA 40X30 100-40	1	311
77516-2682	EPSA 514 1250/5 30 0,5-WA 40X30 100-40	1	311
77516-2686	EPSA 514 1250/5 30 0,5s-WA 40X30 100-40	1	311
77517-1732	EPSA 517.1 250/5 2,5 0,5-WA 50X12 70-55	3	308
77517-1736	EPSA 517.1 250/5 2,5 0,5s-WA 50X12 70-55	3	308
77517-1742	EPSA 517.1 250/5 5,0 0,5-WA 50X12 70-55	3	308
77517-1746	EPSA 517.1 250/5 5,0 0,5s-WA 50X12 70-55	3	308
77517-1832	EPSA 517.1 300/5 2,5 0,5-WA 50X12 70-55	3	308
77517-1836	EPSA 517.1 300/5 2,5 0,5s-WA 50X12 70-55	3	309
77517-1842	EPSA 517.1 300/5 5,0 0,5-WA 50X12 70-55	3	309
77517-1846	EPSA 517.1 300/5 5,0 0,5s-WA 50X12 70-55	3	309
77517-1932	EPSA 517.1 400/5 2,5 0,5-WA 50X12 70-55	3	309
77517-1936	EPSA 517.1 400/5 2,5 0,5s-WA 50X12 70-55	3	309
77517-1946	EPSA 517.1 400/5 5,0 0,5s-WA 50X12 70-55	3	309
77517-1966	EPSA 517.1 400/5 10 0,5s-WA 50X12 70-55	3	309
77517-2031	EPSA 517.1 500/5 2,5 0,2-WA 50X12 70-55	3	309
77517-2032	EPSA 517.1 500/5 2,5 0,5-WA 50X12 70-55	3	309
77517-2041	EPSA 517.1 500/5 5,0 0,2-WA 50X12 70-55	3	309
77517-2042	EPSA 517.1 500/5 5,0 0,5-WA 50X12 70-55	3	309
77517-2046	EPSA 517.1 500/5 5,0 0,5s-WA 50X12 70-55	3	309
77517-2062	EPSA 517.1 500/5 10 0,5-WA 50X12 70-55	3	309
77517-2066	EPSA 517.1 500/5 10 0,5s-WA 50X12 70-55	3	309
77517-2131	EPSA 517.1 600/5 2,5 0,2-WA 50X12 70-55	3	309
77517-2132	EPSA 517.1 600/5 2,5 0,5-WA 50X12 70-55	3	309
77517-2136	EPSA 517.1 600/5 2,5 0,5s-WA 50X12 70-55	3	309
77517-2141	EPSA 517.1 600/5 5,0 0,2-WA 50X12 70-55	3	309
77517-2142	EPSA 517.1 600/5 5,0 0,5-WA 50X12 70-55	3	309
77517-2146	EPSA 517.1 600/5 5,0 0,5s-WA 50X12 70-55	3	309
77517-2162	EPSA 517.1 600/5 10 0,5-WA 50X12 70-55	3	309
77517-2166	EPSA 517.1 600/5 10 0,5s-WA 50X12 70-55	3	309
77517-2232	EPSA 517.1 750/5 2,5 0,5-WA 50X12 70-55	3	309
77517-2236	EPSA 517.1 750/5 2,5 0,5s-WA 50X12 70-55	3	309
77517-2241	EPSA 517.1 750/5 5,0 0,2-WA 50X12 70-55	3	309
77517-2242	EPSA 517.1 750/5 5,0 0,5-WA 50X12 70-55	3	309
77517-2246	EPSA 517.1 750/5 5,0 0,5s-WA 50X12 70-55	3	309
77517-2262	EPSA 517.1 750/5 10 0,5-WA 50X12 70-55	3	309
77517-2266	EPSA 517.1 750/5 10 0,5s-WA 50X12 70-55	3	309
77517-2331	EPSA 517.1 800/5 2,5 0,2-WA 50X12 70-55	3	309
77517-2332	EPSA 517.1 800/5 2,5 0,5-WA 50X12 70-55	3	309

Order number index

Order number	Designation	UP	Page
77517-2336	EPSA 517.1 800/5 2,5 0,5s-WA 50X12 70-55	3	309
77517-2341	EPSA 517.1 800/5 5,0 0,2-WA 50X12 70-55	3	309
77517-2342	EPSA 517.1 800/5 5,0 0,5-WA 50X12 70-55	3	309
77517-2346	EPSA 517.1 800/5 5,0 0,5s-WA 50X12 70-55	3	309
77517-2361	EPSA 517.1 800/5 10 0,2-WA 50X12 70-55	3	309
77517-2362	EPSA 517.1 800/5 10 0,5-WA 50X12 70-55	3	309
77517-2366	EPSA 517.1 800/5 10 0,5S-WA 50X12 70-55	3	309
77517-2431	EPSA 517.1 1000/5 2,5 0,2-WA 50X12 70-55	3	309
77517-2432	EPSA 517.1 1000/5 2,5 0,5-WA 50X12 70-55	3	309
77517-2436	EPSA 517.1 1000/5 2,5 0,5s-WA 50X12 70-55	3	309
77517-2441	EPSA 517.1 1000/5 5,0 0,2-WA 50X12 70-55	3	309
77517-2442	EPSA 517.1 1000/5 5,0 0,5-WA 50X12 70-55	3	309
77517-2446	EPSA 517.1 1000/5 5 0,5S-WA 50X12 70-55	3	309
77517-2461	EPSA 517.1 1000/5 10 0,2-WA 50X12 70-55	3	309
77517-2462	EPSA 517.1 1000/5 10 0,5-WA 50X12 70-55	3	309
77517-2466	EPSA 517.1 1000/5 10 0,5S-WA 50X12 70-55	3	309
77522-1832	EPSA 614 300/5 2,5 0,5-WA 60X10 100-40	3	311
77522-1836	EPSA 614 300/5 2,5 0,5s-WA 60X10 100-40	3	311
77522-1842	EPSA 614 300/5 5,0 0,5-WA 60X10 100-40	3	311
77522-1846	EPSA 614 300/5 5,0 0,5s-WA 60X10 100-40	3	311
77522-1931	EPSA 614 400/5 2,5 0,2-WA 60X10 100-40	3	311
77522-1932	EPSA 614 400/5 2,5 0,5-WA 60X10 100-40	3	311
77522-1936	EPSA 614 400/5 2,5 0,5s-WA 60X10 100-40	3	311
77522-1941	EPSA 614 400/5 5,0 0,2-WA 60X10 100-40	3	311
77522-1942	EPSA 614 400/5 5,0 0,5-WA 60X10 100-40	3	312
77522-1946	EPSA 614 400/5 5,0 0,5s-WA 60X10 100-40	3	312
77522-1962	EPSA 614 400/5 10 0,5-WA 60X10 100-40	3	312
77522-1966	EPSA 614 400/5 10 0,5s-WA 60X10 100-40	3	312
77522-2031	EPSA 614 500/5 2,5 0,2-WA 60X10 100-40	3	312
77522-2032	EPSA 614 500/5 2,5 0,5-WA 60X10 100-40	3	312
77522-2036	EPSA 614 500/5 2,5 0,5s-WA 60X10 100-40	3	312
77522-2041	EPSA 614 500/5 5,0 0,2-WA 60X10 100-40	3	312
77522-2042	EPSA 614 500/5 5,0 0,5-WA 60X10 100-40	3	311
77522-2046	EPSA 614 500/5 5,0 0,5s-WA 60X10 100-40	3	312
77522-2062	EPSA 614 500/5 10 0,5-WA 60X10 100-40	3	312
77522-2066	EPSA 614 500/5 10 0,5s-WA 60X10 100-40	3	312
77522-2141	EPSA 614 600/5 5,0 0,2-WA 60X10 100-40	3	312
77522-2142	EPSA 614 600/5 5,0 0,5-WA 60X10 100-40	3	312
77522-2146	EPSA 614 600/5 5,0 0,5s-WA 60X10 100-40	3	312
77522-2161	EPSA 614 600/5 10 0,2	3	312
77522-2162	EPSA 614 600/5 10 0,5-WA 60X10 100-40	3	312
77522-2166	EPSA 614 600/5 10 0,5S-WA 60X10 100-40	3	311
77522-2172	EPSA 614 600/5 15 0,5-WA 60X10 100-40	3	312
77522-2176	EPSA 614 600/5 15 0,5S-WA 60X10 100-40	3	312
77522-2241	EPSA 614 750/5 5,0 0,2-WA 60X10 100-40	3	312
77522-2242	EPSA 614 750/5 5,0 0,5-WA 60X10 100-40	3	312
77522-2246	EPSA 614 750/5 5,0 0,5s-WA 60X10 100-40	3	312
77522-2261	EPSA 614 750/5 10 0,2	3	312
77522-2262	EPSA 614 750/5 10 0,5-WA 60X10 100-40	3	312
77522-2266	EPSA 614 750/5 10 0,5S-WA 60X10 100-40	3	312
77522-2272	EPSA 614 750/5 15 0,5-WA 60X10 100-40	3	312
77522-2276	EPSA 614 750/5 15 0,5S-WA 60X10 100-40	3	312
77522-2341	EPSA 614 800/5 5,0 0,2-WA 60X10 100-40	3	312
77522-2342	EPSA 614 800/5 5,0 0,5-WA 60X10 100-40	3	312
77522-2346	EPSA 614 800/5 5,0 0,5s-WA 60X10 100-40	3	312
77522-2361	EPSA 614 800/5 10 0,2	3	312
77522-2362	EPSA 614 800/5 10 0,5-WA 60X10 100-40	3	311
77522-2366	EPSA 614 800/5 10 0,5S-WA 60X10 100-40	3	312
77522-2372	EPSA 614 800/5 15 0,5-WA 60X10 100-40	3	312
77522-2376	EPSA 614 800/5 15 0,5S-WA 60X10 100-40	3	312
77522-2441	EPSA 614 1000/5 5,0 0,2-WA 60X10 100-40	3	312
77522-2442	EPSA 614 1000/5 5,0 0,5-WA 60X10 100-40	3	312
77522-2446	EPSA 614 1000/5 5,0 0,5s-WA 60X10 100-40	3	312
77522-2461	EPSA 614 1000/5 10 0,2-WA 60X10 100-40	3	312
77522-2462	EPSA 614 1000/5 10 0,5-WA 60X10 100-40	3	312
77522-2466	EPSA 614 1000/5 10 0,5s-WA 60X10 100-40	3	312
77522-2472	EPSA 614 1000/5 15 0,5-WA 60X10 100-40	3	312
77522-2476	EPSA 614 1000/5 15 0,5s-WA 60X10 100-40	3	312
77522-2541	EPSA 614 1200/5 10 0,2-WA 60X10 100-40	3	312
77522-2542	EPSA 614 1200/5 10 0,5-WA 60X10 100-40	3	312
77522-2546	EPSA 614 1200/5 5 0,5s-WA 60X10 100-40	3	312
77522-2561	EPSA 614 1200/5 10 0,2-WA 60X10 100-40	3	312
77522-2562	EPSA 614 1200/5 10 0,5-WA 60X10 100-40	3	312
77522-2566	EPSA 614 1200/5 10 0,5s-WA 60X10 100-40	3	312
77522-2571	EPSA 614 1200/5 15 0,2-WA 60X10 100-40	3	312
77522-2572	EPSA 614 1200/5 15 0,5-WA 60X10 100-40	3	312
77522-2576	EPSA 614 1200/5 15 0,5s-WA 60X10 100-40	3	312
77522-2582	EPSA 614 1200/5 30 0,5-WA 60X10 100-40	3	312
77522-2586	EPSA 614 1200/5 30 0,5s-WA 60X10 100-40	3	312
77522-2641	EPSA 614 1250/5 10 0,2-WA 60X10 100-40	3	312
77522-2642	EPSA 614 1250/5 10 0,5-WA 60X10 100-40	3	312
77522-2646	EPSA 614 1250/5 5 0,5s-WA 60X10 100-40	3	312
77522-2661	EPSA 614 1250/5 10 0,2-WA 60X10 100-40	3	313
77522-2662	EPSA 614 1250/5 10 0,5-WA 60X10 100-40	3	313
77522-2666	EPSA 614 1250/5 10 0,5s-WA 60X10 100-40	3	313
77522-2671	EPSA 614 1250/5 15 0,2-WA 60X10 100-40	3	313
77522-2672	EPSA 614 1250/5 15 0,5-WA 60X10 100-40	3	313
77522-2676	EPSA 614 1250/5 15 0,5s-WA 60X10 100-40	3	313
77522-2681	EPSA 614 1250/5 30 0,2-WA 60X10 100-40	3	313
77522-2682	EPSA 614 1250/5 30 0,5-WA 60X10 100-40	3	313

Order number index

Order number	Designation	UP	Page
77522-2686	EPSA 614 1250/5 30 0,5s-WA 60X10 100-40	3	313
77522-2741	EPSA 614 1500/5 10 0,2-WA 60X10 100-40	3	313
77522-2742	EPSA 614 1500/5 10 0,5-WA 60X10 100-40	3	313
77522-2746	EPSA 614 1500/5 5 0,5s-WA 60X10 100-40	3	313
77522-2761	EPSA 614 1500/5 10 0,2-WA 60X10 100-40	3	313
77522-2762	EPSA 614 1500/5 10 0,5-WA 60X10 100-40	3	313
77522-2766	EPSA 614 1500/5 10 0,5s-WA 60X10 100-40	3	313
77522-2771	EPSA 614 1500/5 15 0,2-WA 60X10 100-40	3	313
77522-2772	EPSA 614 1500/5 15 0,5-WA 60X10 100-40	3	313
77522-2776	EPSA 614 1500/5 15 0,5s-WA 60X10 100-40	3	313
77522-2781	EPSA 614 1500/5 30 0,2-WA 60X10 100-40	3	313
77522-2782	EPSA 614 1500/5 30 0,5-WA 60X10 100-40	3	313
77522-2786	EPSA 614 1500/5 30 0,5s-WA 60X10 100-40	3	313
77523-1931	EPSA 634 400/5 2,5 0,2-WA 60X30 100-40	3	313
77523-1932	EPSA 634 400/5 2,5 0,5-WA 60X30 100-40	3	313
77523-1936	EPSA 634 400/5 2,5 0,5s-WA 60X30 100-40	3	313
77523-1942	EPSA 634 400/5 5,0 0,5-WA 60X30 100-40	3	313
77523-1946	EPSA 634 400/5 5,0 0,5s-WA 60X30 100-40	3	313
77523-2031	EPSA 634 500/5 2,5 0,2-WA 60X30 100-40	3	313
77523-2032	EPSA 634 500/5 2,5 0,5-WA 60X30 100-40	3	313
77523-2036	EPSA 634 500/5 2,5 0,5s-WA 60X30 100-40	3	313
77523-2041	EPSA 634 500/5 5,0 0,2-WA 60X30 100-40	3	313
77523-2042	EPSA 634 500/5 5,0 0,5-WA 60X30 100-40	3	313
77523-2046	EPSA 634 500/5 5,0 0,5s-WA 60X30 100-40	3	313
77523-2062	EPSA 634 500/5 10 0,5-WA 60X30 100-40	3	313
77523-2066	EPSA 634 500/5 10 0,5s-WA 60X30 100-40	3	313
77523-2131	EPSA 634 600/5 2,5 0,2-WA 60X30 100-40	3	313
77523-2141	EPSA 634 600/5 5 0,2-WA 60X30 100-40	3	313
77523-2231	EPSA 634 750/5 2,5 0,2-WA 60X30 100-40	3	313
77523-2241	EPSA 634 750/5 5,0 0,2-WA 60X30 100-40	3	313
77523-2261	EPSA 634 750/5 10 0,2-WA 60X30 100-40	3	313
77523-2331	EPSA 634 800/5 2,5 0,2-WA 60X30 100-40	3	313
77523-2341	EPSA 634 800/5 5,0 0,2-WA 60X30 100-40	3	313
77523-2342	EPSA 634 800/5 5,0 0,5-WA 60X30 100-40	3	313
77523-2346	EPSA 634 800/5 5,0 0,5s-WA 60X30 100-40	3	313
77523-2361	EPSA 634 800/5 10 0,2-WA 60X30 100-40	3	313
77523-2362	EPSA 634 800/5 10 0,5-WA 60X30 100-40	3	313
77523-2366	EPSA 634 800/5 10 0,5s-WA 60X30 100-40	3	313
77523-2372	EPSA 634 800/5 15 0,5-WA 60X30 100-40	3	313
77523-2376	EPSA 634 800/5 15 0,5s-WA 60X30 100-40	3	313
77523-2441	EPSA 634 1000/5 5,0 0,2-WA 60X30 100-40	3	313
77523-2442	EPSA 634 1000/5 5,0 0,5-WA 60X30 100-40	3	314
77523-2446	EPSA 634 1000/5 5,0 0,5s-WA 60X30 100-40	3	314
77523-2461	EPSA 634 1000/5 10 0,2-WA 60X30 100-40	3	314
77523-2462	EPSA 634 1000/5 10 0,5-WA 60X30 100-40	3	314
77523-2466	EPSA 634 1000/5 10 0,5s-WA 60X30 100-40	3	314
77523-2472	EPSA 634 1000/5 15 0,5-WA 60X30 100-40	3	314
77523-2476	EPSA 634 1000/5 15 0,5s-WA 60X30 100-40	3	314
77523-2482	EPSA 634 1000/5 30 0,5-WA 60X30 100-40	3	314
77523-2486	EPSA 634 1000/5 30 0,5s-WA 60X30 100-40	3	314
77523-2541	EPSA 634 1200/5 5,0 0,2-WA 60X30 100-40	3	314
77523-2542	EPSA 634 1200/5 5,0 0,5-WA 60X30 100-40	3	314
77523-2546	EPSA 634 1200/5 5,0 0,5s-WA 60X30 100-40	3	314
77523-2561	EPSA 634 1200/5 10 0,2-WA 60X30 100-40	3	314
77523-2562	EPSA 634 1200/5 10 0,5-WA 60X30 100-40	3	314
77523-2566	EPSA 634 1200/5 10 0,5s-WA 60X30 100-40	3	314
77523-2572	EPSA 634 1200/5 15 0,5-WA 60X30 100-40	3	314
77523-2576	EPSA 634 1200/5 15 0,5s-WA 60X30 100-40	3	314
77523-2582	EPSA 634 1200/5 30 0,5-WA 60X30 100-40	3	314
77523-2586	EPSA 634 1200/5 30 0,5s-WA 60X30 100-40	3	314
77523-2641	EPSA 634 1250/5 5,0 0,2-WA 60X30 100-40	3	314
77523-2642	EPSA 634 1250/5 5,0 0,5-WA 60X30 100-40	3	314
77523-2646	EPSA 634 1250/5 5,0 0,5s-WA 60X30 100-40	3	314
77523-2661	EPSA 634 1250/5 10 0,2-WA 60X30 100-40	3	314
77523-2662	EPSA 634 1250/5 10 0,5-WA 60X30 100-40	3	314
77523-2666	EPSA 634 1250/5 10 0,5s-WA 60X30 100-40	3	314
77523-2671	EPSA 634 1250/5 15 0,2-WA 60X30 100-40	3	314
77523-2672	EPSA 634 1250/5 15 0,5-WA 60X30 100-40	3	314
77523-2676	EPSA 634 1250/5 15 0,5s-WA 60X30 100-40	3	314
77523-2682	EPSA 634 1250/5 30 0,5-WA 60X30 100-40	3	314
77523-2686	EPSA 634 1250/5 30 0,5s-WA 60X30 100-40	3	314
77523-2741	EPSA 634 1500/5 5,0 0,2-WA 60X30 100-40	3	314
77523-2742	EPSA 634 1500/5 5,0 0,5-WA 60X30 100-40	3	314
77523-2746	EPSA 634 1500/5 5,0 0,5s-WA 60X30 100-40	3	314
77523-2761	EPSA 634 1500/5 10 0,2-WA 60X30 100-40	3	314
77523-2762	EPSA 634 1500/5 10 0,5-WA 60X30 100-40	3	314
77523-2766	EPSA 634 1500/5 10 0,5s-WA 60X30 100-40	3	314
77523-2771	EPSA 634 1500/5 15 0,2-WA 60X30 100-40	3	314
77523-2772	EPSA 634 1500/5 15 0,5-WA 60X30 100-40	3	314
77523-2776	EPSA 634 1500/5 15 0,5s-WA 60X30 100-40	3	314
77523-2782	EPSA 634 1500/5 30 0,5-WA 60X30 100-40	3	314
77523-2786	EPSA 634 1500/5 30 0,5s-WA 60X30 100-40	3	314
77523-2841	EPSA 634 1600/5 5,0 0,2-WA 60X30 100-40	3	314
77523-2842	EPSA 634 1600/5 5,0 0,5-WA 60X30 100-40	3	314
77523-2846	EPSA 634 1600/5 5,0 0,5s-WA 60X30 100-40	3	314
77523-2861	EPSA 634 1600/5 10 0,2-WA 60X30 100-40	3	314
77523-2862	EPSA 634 1600/5 10 0,5-WA 60X30 100-40	3	314
77523-2866	EPSA 634 1600/5 10 0,5s-WA 60X30 100-40	3	314
77523-2871	EPSA 634 1600/5 15 0,2-WA 60X30 100-40	3	314
77523-2872	EPSA 634 1600/5 15 0,5-WA 60X30 100-40	3	314

Order number index

Order number	Designation	UP	Page
77523-2876	EPSA 634 1600/5 15 0,5s-WA 60X30 100-40	3	314
77523-2882	EPSA 634 1600/5 30 0,5-WA 60X30 100-40	3	314
77523-2886	EPSA 634 1600/5 30 0,5s-WA 60X30 100-40	3	314
77523-2941	EPSA 634 2000/5 5,0 0,2-WA 60X30 100-40	3	314
77523-2942	EPSA 634 2000/5 5,0 0,5-WA 60X30 100-40	3	314
77523-2946	EPSA 634 2000/5 5,0 0,5s-WA 60X30 100-40	3	314
77523-2961	EPSA 634 2000/5 10 0,2-WA 60X30 100-40	3	315
77523-2962	EPSA 634 2000/5 10 0,5-WA 60X30 100-40	3	315
77523-2966	EPSA 634 2000/5 10 0,5s-WA 60X30 100-40	3	315
77523-2971	EPSA 634 2000/5 15 0,2-WA 60X30 100-40	3	315
77523-2972	EPSA 634 2000/5 15 0,5-WA 60X30 100-40	3	315
77523-2976	EPSA 634 2000/5 15 0,5s-WA 60X30 100-40	3	315
77523-2982	EPSA 634 2000/5 30 0,5-WA 60X30 100-40	3	315
77523-2986	EPSA 634 2000/5 30 0,5s-WA 60X30 100-40	3	315
77524-1932	EPSA 814 400/5 2,5 0,5-WA 80X10 100-40	3	315
77524-1936	EPSA 814 400/5 2,5 0,5s-WA 80X10 100-40	3	315
77524-1942	EPSA 814 400/5 5,0 0,5-WA 80X10 100-40	3	315
77524-1946	EPSA 814 400/5 5,0 0,5s-WA 80X10 100-40	3	315
77524-2031	EPSA 814 500/5 2,5 0,2-WA 80X10 100-40	3	315
77524-2032	EPSA 814 500/5 2,5 0,5-WA 80X10 100-40	3	315
77524-2036	EPSA 814 500/5 2,5 0,5s-WA 80X10 100-40	3	315
77524-2042	EPSA 814 500/5 5,0 0,5-WA 80X10 100-40	3	315
77524-2046	EPSA 814 500/5 5,0 0,5s-WA 80X10 100-40	3	315
77524-2131	EPSA 814 600/5 2,5 0,2-WA 80X10 100-40	3	315
77524-2132	EPSA 814 600/5 2,5 0,5-WA 80X10 100-40	3	315
77524-2136	EPSA 814 600/5 2,5 0,5s-WA 80X10 100-40	3	315
77524-2142	EPSA 814 600/5 5,0 0,5-WA 80X10 100-40	3	315
77524-2146	EPSA 814 600/5 5,0 0,5s-WA 80X10 100-40	3	315
77524-2162	EPSA 814 600/5 10 0,5-WA 80X10 100-40	3	315
77524-2231	EPSA 814 750/5 2,5 0,2-WA 80X10 100-40	3	315
77524-2232	EPSA 814 750/5 2,5 0,5-WA 80X10 100-40	3	315
77524-2236	EPSA 814 750/5 2,5 0,5s-WA 80X10 100-40	3	315
77524-2241	EPSA 814 750/5 5,0 0,2-WA 80X10 100-40	3	315
77524-2242	EPSA 814 750/5 5,0 0,5-WA 80X10 100-40	3	315
77524-2246	EPSA 814 750/5 5,0 0,5s-WA 80X10 100-40	3	315
77524-2262	EPSA 814 750/5 10 0,5-WA 80X10 100-40	3	315
77524-2266	EPSA 814 750/5 10 0,5s-WA 80X10 100-40	3	315
77524-2331	EPSA 814 800/5 2,5 0,2-WA 80X10 100-40	3	315
77524-2341	EPSA 814 800/5 5,0 0,2-WA 80X10 100-40	3	315
77524-2342	EPSA 814 800/5 5,0 0,5-WA 80X10 100-40	3	315
77524-2346	EPSA 814 800/5 5,0 0,5s-WA 80X10 100-40	3	315
77524-2362	EPSA 814 800/5 10 0,5-WA 80X10 100-40	3	315
77524-2366	EPSA 814 800/5 10 0,5s-WA 80X10 100-40	3	315
77524-2431	EPSA 814 1000/5 2,5 0,2-WA 80X10 100-40	3	315
77524-2441	EPSA 814 1000/5 5,0 0,2-WA 80X10 100-40	3	315
77524-2442	EPSA 814 1000/5 5,0 0,5-WA 80X10 100-40	3	315
77524-2446	EPSA 814 1000/5 5,0 0,5s-WA 80X10 100-40	3	315
77524-2462	EPSA 814 1000/5 10 0,5-WA 80X10 100-40	3	315
77524-2466	EPSA 814 1000/5 10 0,5s-WA 80X10 100-40	3	315
77524-2472	EPSA 814 1000/5 15 0,5-WA 80X10 100-40	3	315
77524-2476	EPSA 814 1000/5 15 0,5s-WA 80X10 100-40	3	315
77524-2531	EPSA 814 1200/5 2,5 0,2-WA 80X10 100-40	3	315
77524-2541	EPSA 814 1200/5 5,0 0,2-WA 80X10 100-40	3	315
77524-2542	EPSA 814 1200/5 5,0 0,5-WA 80X10 100-40	3	315
77524-2546	EPSA 814 1200/5 5,0 0,5s-WA 80X10 100-40	3	315
77524-2562	EPSA 814 1200/5 10 0,5-WA 80X10 100-40	3	316
77524-2566	EPSA 814 1200/5 10 0,5s-WA 80X10 100-40	3	316
77524-2572	EPSA 814 1200/5 15 0,5-WA 80X10 100-40	3	316
77524-2576	EPSA 814 1200/5 15 0,5s-WA 80X10 100-40	3	316
77524-2631	EPSA 814 1250/5 2,5 0,2-WA 80X10 100-40	3	316
77524-2641	EPSA 814 1250/5 5,0 0,2-WA 80X10 100-40	3	316
77524-2642	EPSA 814 1250/5 5,0 0,5-WA 80X10 100-40	3	316
77524-2646	EPSA 814 1250/5 5,0 0,5s-WA 80X10 100-40	3	316
77524-2662	EPSA 814 1250/5 10 0,5-WA 80X10 100-40	3	316
77524-2666	EPSA 814 1250/5 10 0,5s-WA 80X10 100-40	3	316
77524-2672	EPSA 814 1250/5 15 0,5-WA 80X10 100-40	3	316
77524-2676	EPSA 814 1250/5 15 0,5s-WA 80X10 100-40	3	316
77524-2731	EPSA 814 1500/5 2,5 0,2-WA 80X10 100-40	3	316
77524-2741	EPSA 814 1500/5 5,0 0,2-WA 80X10 100-40	3	316
77524-2742	EPSA 814 1500/5 5,0 0,5-WA 80X10 100-40	3	316
77524-2746	EPSA 814 1500/5 5,0 0,5s-WA 80X10 100-40	3	316
77524-2762	EPSA 814 1500/5 10 0,5-WA 80X10 100-40	3	316
77524-2766	EPSA 814 1500/5 10 0,5s-WA 80X10 100-40	3	316
77524-2772	EPSA 814 1500/5 15 0,5-WA 80X10 100-40	3	316
77524-2776	EPSA 814 1500/5 15 0,5s-WA 80X10 100-40	3	316
77524-2831	EPSA 814 1600/5 2,5 0,2-WA 80X10 100-40	3	316
77524-2841	EPSA 814 1600/5 5,0 0,2-WA 80X10 100-40	3	316
77524-2842	EPSA 814 1600/5 5,0 0,5-WA 80X10 100-40	3	316
77524-2846	EPSA 814 1600/5 5,0 0,5s-WA 80X10 100-40	3	316
77524-2862	EPSA 814 1600/5 10 0,5-WA 80X10 100-40	3	316
77524-2866	EPSA 814 1600/5 10 0,5s-WA 80X10 100-40	3	316
77524-2872	EPSA 814 1600/5 15 0,5-WA 80X10 100-40	3	316
77524-2876	EPSA 814 1600/5 15 0,5s-WA 80X10 100-40	3	316
77525-2132	EPSA 1034 600/5 2,5 0,5-WA2X100X10 135-40	1	316
77525-2142	EPSA 1034 600/5 5,0 0,5-WA2X100X10 135-40	1	316
77525-2146	EPSA 1034 600/5 5,0 0,5s-WA2X100X10 135-40	1	316
77525-2162	EPSA 1034 600/5 10 0,5-WA2X100X10 135-40	1	316
77525-2166	EPSA 1034 600/5 10 0,5s-WA2X100X10 135-40	1	316
77525-2231	EPSA 1034 750/5 2,5 0,2-WA2X100X10 135-40	1	316
77525-2232	EPSA 1034 750/5 2,5 0,5-WA2X100X10 135-40	1	316

Order number index

Order number	Designation	UP	Page
77525-2236	EPSA 1034 750/5 2,5 0,5s-WA2X100X10 135-40	1	316
77525-2242	EPSA 1034 750/5 5,0 0,5-WA2X100X10 135-40	1	316
77525-2246	EPSA 1034 750/5 5,0 0,5s-WA2X100X10 135-40	1	316
77525-2262	EPSA 1034 750/5 10 0,5-WA2X100X10 135-40	1	316
77525-2266	EPSA 1034 750/5 10 0,5s-WA2X100X10 135-40	1	316
77525-2331	EPSA 1034 800/5 2,5 0,2-WA2X100X10 135-40	1	316
77525-2332	EPSA 1034 800/5 2,5 0,5-WA2X100X10 135-40	1	316
77525-2336	EPSA 1034 800/5 2,5 0,5s-WA2X100X10 135-40	1	316
77525-2342	EPSA 1034 800/5 5,0 0,5-WA2X100X10 135-40	1	316
77525-2346	EPSA 1034 800/5 5,0 0,5s-WA2X100X10 135-40	1	316
77525-2362	EPSA 1034 800/5 10 0,5-WA2X100X10 135-40	1	316
77525-2366	EPSA 1034 800/5 10 0,5s-WA2X100X10 135-40	1	316
77525-2372	EPSA 1034 800/5 15 0,5-WA2X100X10 135-40	1	316
77525-2376	EPSA 1034 800/5 15 0,5s-WA2X100X10 135-40	1	316
77525-2431	EPSA 1034 1000/5 2,5 0,2-WA2X100X10 135-40	1	317
77525-2432	EPSA 1034 1000/5 2,5 0,5-WA2X100X10 135-40	1	317
77525-2436	EPSA 1034 1000/5 2,5 0,5s-WA2X100X10 135-40	1	317
77525-2441	EPSA 1034 1000/5 5,0 0,2-WA2X100X10 135-40	1	317
77525-2442	EPSA 1034 1000/5 5,0 0,5-WA2X100X10 135-40	1	317
77525-2446	EPSA 1034 1000/5 5,0 0,5s-WA2X100X10 135-40	1	317
77525-2462	EPSA 1034 1000/5 10 0,5-WA2X100X10 135-40	1	317
77525-2466	EPSA 1034 1000/5 10 0,5s-WA2X100X10 135-40	1	317
77525-2472	EPSA 1034 1000/5 15 0,5-WA2X100X10 135-40	1	317
77525-2476	EPSA 1034 1000/5 15 0,5s-WA2X100X10 135-40	1	317
77525-2531	EPSA 1034 1200/5 2,5 0,2-WA2X100X10 135-40	1	317
77525-2541	EPSA 1034 1200/5 5 0,2-WA2X100X10 135-40	1	317
77525-2542	EPSA 1034 1200/5 5 0,5-WA2X100X10 135-40	1	317
77525-2546	EPSA 1034 1200/5 5 0,5s-WA2X100X10 135-40	1	317
77525-2561	EPSA 1034 1200/5 10 0,2-WA2X100X10 135-40	1	317
77525-2562	EPSA 1034 1200/5 10 0,5-WA2X100X10 135-40	1	317
77525-2566	EPSA 1034 1200/5 10 0,5s-WA2X100X10 135-40	1	317
77525-2572	EPSA 1034 1200/5 15 0,5-WA2X100X10 135-40	1	317
77525-2576	EPSA 1034 1200/5 15 0,5s-WA2X100X10 135-40	1	317
77525-2631	EPSA 1034 1250/5 2,5 0,2s-WA2X100X10 135-40	1	317
77525-2636	EPSA 1034 1250/5 2,5 0,5s-WA2X100X10 135-40	1	317
77525-2641	EPSA 1034 1250/5 5,0 0,2-WA2X100X10 135-40	1	317
77525-2642	EPSA 1034 1250/5 5,0 0,5-WA2X100X10 135-40	1	317
77525-2646	EPSA 1034 1250/5 5,0 0,5s-WA2X100X10 135-40	1	317
77525-2661	EPSA 1034 1250/5 10 0,2-WA2X100X10 135-40	1	317
77525-2662	EPSA 1034 1250/5 10 0,5-WA2X100X10 135-40	1	317
77525-2666	EPSA 1034 1250/5 10 0,5s-WA2X100X10 135-40	1	317
77525-2672	EPSA 1034 1250/5 15 0,5-WA2X100X10 135-40	1	317
77525-2676	EPSA 1034 1250/5 15 0,5s-WA2X100X10 135-40	1	317
77525-2741	EPSA 1034 1500/5 5 0,2-WA2X100X10 135-40	1	317
77525-2742	EPSA 1034 1500/5 5 0,5-WA2X100X10 135-40	1	317
77525-2746	EPSA 1034 1500/5 5 0,5s-WA2X100X10 135-40	1	317
77525-2761	EPSA 1034 1500/5 10 0,2-WA2X100X10 135-40	1	317
77525-2762	EPSA 1034 1500/5 10 0,5-WA2X100X10 135-40	1	317
77525-2766	EPSA 1034 1500/5 10 0,5s-WA2X100X10 135-40	1	317
77525-2772	EPSA 1034 1500/5 15 0,5-WA2X100X10 135-40	1	317
77525-2776	EPSA 1034 1500/5 15 0,5s-WA2X100X10 135-40	1	317
77525-2782	EPSA 1034 1500/5 30 0,5-WA2X100X10 135-40	1	317
77525-2786	EPSA 1034 1500/5 30 0,5s-WA2X100X10 135-40	1	317
77525-2841	EPSA 1034 1600/5 5 0,2-WA2X100X10 135-40	1	317
77525-2842	EPSA 1034 1600/5 5 0,5-WA2X100X10 135-40	1	317
77525-2846	EPSA 1034 1600/5 5 0,5s-WA2X100X10 135-40	1	317
77525-2861	EPSA 1034 1600/5 10 0,2-WA2X100X10 135-40	1	317
77525-2862	EPSA 1034 1600/5 10 0,5-WA2X100X10 135-40	1	317
77525-2866	EPSA 1034 1600/5 10 0,5s-WA2X100X10 135-40	1	317
77525-2872	EPSA 1034 1600/5 15 0,5-WA2X100X10 135-40	1	317
77525-2876	EPSA 1034 1600/5 15 0,5s-WA2X100X10 135-40	1	317
77525-2882	EPSA 1034 1600/5 30 0,5-WA2X100X10 135-40	1	317
77525-2886	EPSA 1034 1600/5 30 0,5s-WA2X100X10 135-40	1	317
77525-2941	EPSA 1034 2000/5 5 0,2-WA2X100X10 135-40	1	317
77525-2942	EPSA 1034 2000/5 5 0,5-WA2X100X10 135-40	1	317
77525-2946	EPSA 1034 2000/5 5 0,5s-WA2X100X10 135-40	1	317
77525-2961	EPSA 1034 2000/5 10 0,2-WA2X100X10 135-40	1	317
77525-2962	EPSA 1034 2000/5 10 0,5-WA2X100X10 135-40	1	317
77525-2966	EPSA 1034 2000/5 10 0,5s-WA2X100X10 135-40	1	317
77525-2971	EPSA 1034 2000/5 15 0,2-WA2X100X10 135-40	1	318
77525-2972	EPSA 1034 2000/5 15 0,5-WA2X100X10 135-40	1	318
77525-2976	EPSA 1034 2000/5 15 0,5s-WA2X100X10 135-40	1	318
77525-2982	EPSA 1034 2000/5 30 0,5-WA2X100X10 135-40	1	318
77525-2986	EPSA 1034 2000/5 30 0,5s-WA2X100X10 135-40	1	318
77525-3041	EPSA 1034 2400/5 5 0,2-WA2X100X10 135-40	1	318
77525-3042	EPSA 1034 2400/5 5 0,5-WA2X100X10 135-40	1	318
77525-3046	EPSA 1034 2400/5 5 0,5s-WA2X100X10 135-40	1	318
77525-3061	EPSA 1034 2400/5 10 0,2-WA2X100X10 135-40	1	318
77525-3062	EPSA 1034 2400/5 10 0,5-WA2X100X10 135-40	1	318
77525-3066	EPSA 1034 2400/5 10 0,5s-WA2X100X10 135-40	1	318
77525-3071	EPSA 1034 2400/5 15 0,2-WA2X100X10 135-40	1	318
77525-3072	EPSA 1034 2400/5 15 0,5-WA2X100X10 135-40	1	318
77525-3076	EPSA 1034 2400/5 15 0,5s-WA2X100X10 135-40	1	318
77525-3082	EPSA 1034 2400/5 30 0,5-WA2X100X10 135-40	1	318
77525-3086	EPSA 1034 2400/5 30 0,5s-WA2X100X10 135-40	1	318
77525-3141	EPSA 1034 2500/5 5,0 0,2-WA2X100X10 135-40	1	318
77525-3142	EPSA 1034 2500/5 5,0 0,5-WA2X100X10 135-40	1	318
77525-3146	EPSA 1034 2500/5 5,0 0,5s-WA2X100X10 135-40	1	318
77525-3161	EPSA 1034 2500/5 10 0,2-WA2X100X10 135-40	1	318
77525-3162	EPSA 1034 2500/5 10 0,5-WA2X100X10 135-40	1	318

Order number index

Order number	Designation	UP	Page
77525-3166	EPSA 1034 2500/5 10 0,5SWA2X100X10 135-40	1	318
77525-3171	EPSA 1034 2500/5 15 0,2-WA2X100X10 135-40	1	318
77525-3172	EPSA 1034 2500/5 15 0,5-WA2X100X10 135-40	1	318
77525-3176	EPSA 1034 2500/5 15 0,5SWA2X100X10 135-40	1	318
77525-3182	EPSA 1034 2500/5 30 0,5-WA2X100X10 135-40	1	318
77525-3186	EPSA 1034 2500/5 30 0,5SWA2X100X10 135-40	1	318
77525-3286	EPSA 1034 2500/5 30 0,5SWA2X100X10 135-40	1	318
77550-1732	250/5A 2,5VA KL0,5	1	330
77550-1836	300/5A 2,5VA KL0,5s	1	330
77550-1946	400/5A 5VA KL0,5S	1	330
77550-2146	600/5A 5VA KL0,5S	1	330
77550-2346	800/5A 5VA KL0,5S	1	330
77587-1636	200/5 2,5 KL 0,5S	1	331
77587-1846	300/5 5,0 KL 0,5S	1	331
77587-1946	400/5 5,0 KL 0,5S	1	331
77587-2146	600/5 5,0 KL 0,5S	1	331
77844-3562	PGSU 3 5+5+5/5 10 0,5	1	303
77844-3563	PGSU 3 5+5+5/5 10 1	1	304
77844-3662	PGSU 4 5+5+5+5/5 10 0,5	1	303
77844-3663	PGSU 4 5+5+5+5/5 10 1	1	304
77844-3762	PGSU 5 5+5+5+5+5/5 10 0,5	1	303
77844-3763	PGSU 5 5+5+5+5+5/5 10 1	1	304
77844-3862	PGSU 6 5+5+5+5+5+5/5 10 0,5	1	303
77844-3863	PGSU 6 5+5+5+5+5+5/5 10 1	1	304
77844-4662	PGSU 7 5+5+5+5+5+5+5/5 10 0,5	1	303
77844-4663	PGSU 7 5+5+5+5+5+5+5/5 10 1	1	304
77844-4762	PGSU 8 5+5+5+5+5+5+5+5/5 10 0,5	1	303
77844-4763	PGSU 8 5+5+5+5+5+5+5+5/5 10 1	1	304
77844-4862	PGSU 9 5+5+5+5+5+5+5+5/5 10 0,5	1	303
77844-4863	PGSU 9 5+5+5+5+5+5+5+5/5 10 1	1	304
77844-4962	PGSU 10 5+5+5+5+5+5+5+5+5/5 10 0,5	1	303
77844-4963	PGSU 10 5+5+5+5+5+5+5+5+5/5 10 1	1	304
77844-9062	PGSU 3 1+1+1/1 10 0,5	1	303
77844-9063	PGSU 3 1+1+1/1 10 1	1	304
77844-9162	PGSU 4 1+1+1+1/1 10 0,5	1	303
77844-9163	PGSU 4 1+1+1+1/1 10 1	1	304
77844-9262	PGSU 5 1+1+1+1+1/1 10 0,5	1	303
77844-9263	PGSU 5 1+1+1+1+1/1 10 1	1	304
77844-9362	PGSU 6 1+1+1+1+1+1/1 10 0,5	1	303
77844-9363	PGSU 6 1+1+1+1+1+1/1 10 1	1	304
77844-9462	PGSU 7 1+1+1+1+1+1+1/1 10 0,5	1	303
77844-9463	PGSU 7 1+1+1+1+1+1+1/1 10 1	1	304
77844-9762	PGSU 8 1+1+1+1+1+1+1+1/1 10 0,5	1	303
77844-9763	PGSU 8 1+1+1+1+1+1+1+1/1 10 1	1	304
77844-9862	PGSU 9 1+1+1+1+1+1+1+1+1/1 10 0,5	1	303
77844-9863	PGSU 9 1+1+1+1+1+1+1+1+1/1 10 1	1	304
77844-9962	PGSU 10 1+1+1+1+1+1+1+1+1+1/1 10 0,5	1	303
77844-9963	PGSU 10 1+1+1+1+1+1+1+1+1+1/1 10 1	1	304
8			
81142-0100	Summary current transformer 200 – 400/5	1	355
81152-0100	Summary current transformer 100 – 200/5	1	355
81153-0100	Summary current transformer 300-600/5, for devices with 115 mm width only	2	355
81251-0100	Connecting kit for parallel operation of two separate devices	3	143
81931-0100	Fuse base contacts	1	83
83359-0100	Cover with fuse-monitoring	1	348
83360-0100	Cover with fuse-monitoring	1	348
83361-0100	Cover with fuse-monitoring	1	348
83398-0100	Microswitch for switch position indication, including screws for installation for size 1 – 3	1	143
85094-0100	Maximum current meter, measurement range 200 – 400/5	1	355
85094-0300	Maximum current meter, measurement range 200 – 400/1	1	355
85100-0100	Maximum current meter, measurement range 300 – 600/5	1	355
85130-0100	M10	1	464
85131-0100	M12	1	464
85133-0100	M8	1	464
85138-0100	Microswitch for switch position indication	1	138
85153-0100	Maximum current meter, measurement range 100 – 200/5	1	355
85195-0100	M6	1	464
85196-0100	Metering case A	1	355
85223-0100	Busbar system, 60 x 10 busbar	4	464
85223-0200	Plug-in elements for reduction to 50 x 10 busbar (6 pieces per support)	24	464
85223-0300	Plug-in elements for reduction to 40 x 10 busbar (6 pieces per support)	24	464
85223-0400	Plug-in elements for reduction to 30 x 10 busbar (6 pieces per support)	24	464
85246-0100	V-clamp 35 – 70 mm ²	1	115
85263-0100	Metering case B	1	355
85270-0600	Universal busbar support for busbar dimensions 15, 20, 25, 30 x 5, 10 mm	4	464
85331-0100	Busbar system, 80 x 10 busbar	2	464
85331-0200	Plug-in elements for reduction to 60 x 10 busbar (6 pieces per support)	24	464
85331-0300	Plug-in elements for reduction to 50 x 10 busbar (6 pieces per support)	24	464
85371-0100	Feeding device for 2 devices	1	138
85371-0200	Feeding device for 3 devices	1	138
85371-0300	Feeding device for 4 devices	1	138
85372-0100	Connecting piece	1	138
85373-0100	Blanking cover	1	138
85402-0100	M16	1	464
85542-0100	V-clamp up to 240 mm ²	1	115
9			
90181-0100	Partition wall, short, 130 mm	1	115
90181-0200	Partition wall, long, V-clamp, 152 mm	1	115

Order number index

Order number	Designation	UP	Page
90182-0100	Contact cover, short	1	115
90182-0200	Contact cover, long, for V-clamp	1	115
90183-0100	Fuse cover	1	115
90184-0100	Partition wall, 210 mm	1	115
90184-0200	Partition wall, 240 mm	1	115
90185-0100	Contact cover	1	115
90185-0200	Contact cover	1	115
90186-0100	Fuse cover	1	115
90265-0100	Universal conductor terminal 1.5 – 16 mm ² , for 5-mm busbars	40	464
90266-0100	Universal conductor terminal 1.5 – 16 mm ² , for 10-mm busbars	40	464
90267-0100	Universal conductor terminal 1.5 – 35 mm ² , for 5-mm busbars	20	464
90268-0100	Universal conductor terminal 1.5 – 35 mm ² , for 10-mm busbar	20	464
90269-0100	Universal conductor terminal 16 – 120 mm ² , for 5-mm busbars	10	464
90270-0100	Universal conductor terminal 16 – 120 mm ² , for 10-mm busbars	10	464
90276-0100	Feeding device for 2 devices, narrow variant	4	142
90276-0200	Feeding device for 3 devices, narrow variant	4	142
90276-0300	Feeding device for 4 devices, narrow variant	4	142
90276-0400	Feeding device for 5 devices, narrow variant	4	142
90277-0100	Feeding clamp 25 – 95 mm ² rm/sm, narrow variant	3	142
90280-0100	Feeding device for 2 devices, terminal M8	4	142
90280-0200	Feeding device for 3 devices, terminal M8	4	142
90280-0300	Feeding device for 4 devices, terminal M8	4	142
90280-0400	Feeding device for 5 devices, terminal M8	4	142
90287-0100	FEEDING CLAMP 95MM ² SILAS/IN NH00	4	142
90318-0100	Universal conductor terminal 16 – 70 mm ² , for 5-mm busbars	10	464
90319-0100	Universal conductor terminal 16 – 70 mm ² , for 10-mm busbars	10	464
90328-0100	Universal conductor terminal 16 – 185 mm ² , for 5-mm busbars	10	464
90329-0100	Universal conductor terminal 16 – 185 mm ² , for 10-mm busbars	10	464
90333-0100	Busbar support 60 mm 3-phase	10	464
90333-0900	Bracket f. lateral protection 60 mm 3p	10	464
90334-0100	Extension bracket +N to 4p	10	464
90334-0900	Extension f. lateral extension +N to 4p	10	464
93100-0000	Distribution cabinet, size 00, height 845 mm, one door, empty enclosure	1	369
93100-0201	Distribution cabinet, size 00, height 845 mm, one door, with PVC mounting panel 750 x 358 x 6 mm (H x W x D)	1	369
93100-0302	Distribution cabinet, size 00, height 845 mm, one door, with busbar system (4-conductor E-Cu 30 x 6 mm), fits max. 4 installation units	1	369
93101-0000	Distribution cabinet, size 0, height 845 mm, one door, empty enclosure	1	370
93101-0201	Distribution cabinet, size 0, height 845 mm, one door, with PVC mounting panel 750 x 500 x 6 mm (H x W x D)	1	370
93101-0302	Distribution cabinet, size 0, height 845 mm, one door, with busbar system (4-conductor E-Cu 30 x 6 mm), fits max. 5 installation units	1	370
93102-0000	Distribution cabinet, size 0, height 1005 mm, one door, empty enclosure	1	371
93102-0201	Distribution cabinet, size 0, height 1005 mm, one door, with PVC mounting panel 895 x 491 x 6 mm (H x W x D)	1	371
93102-0302	Distribution cabinet, size 0, height 1005 mm, one door, with busbar system (4-conductor E-Cu 30 x 6 mm), fits max. 5 installation units	1	371
93102-0332	Distribution cabinet, size 0, fairground, height 1005 mm, one door, with busbar system (5-conductor E-Cu 30 x 6 mm)	1	379
93102-0342	Distribution cabinet, size 0, fairground, height 1430 mm, one door, with busbar system (5-conductor E-Cu 30 x 6 mm)	1	379
93103-0000	Distribution cabinet, size 0, height 1355 mm, one door, empty enclosure	1	372
93103-0201	Distribution cabinet, size 0, height 1355 mm, one door, with PVC mounting panel 1245 x 491 x 6 mm (H x W x D)	1	372
93110-0000	Distribution cabinet, size 1, height 845 mm, one door, empty enclosure	1	373
93110-0201	Distribution cabinet, size 1, height 845 mm, one door, with mounting panel PVC 750 x 658 x 6 mm (H x W x D)	1	373
93110-0302	Distribution cabinet, size 1, height 845 mm, one door, with busbar system (4-conductor E-Cu 30 x 6 mm), fits max. 7 installation units	1	373
93110-0401	Distribution cabinet, size 1, height 845 mm, two doors, with mounting panel PVC 750 x 658 x 6 mm (H x W x D), asymmetric doors	1	373
93111-0302	Distribution cabinet, size 1, height 1005 mm, one door, with busbar system (4-conductor E-Cu 30 x 6 mm), fits max. 7 installation units	1	374
93112-0000	Distribution cabinet, size 1, height 1005 mm, one door, empty enclosure	1	374
93112-0201	Distribution cabinet, size 1, height 1005 mm, one door, with mounting panel PVC 895 x 686 x 6 mm (H x W x D)	1	374
93112-0332	Distribution cabinet, size 1, fairground, height 1005 mm, one door, with busbar system (5-conductor E-Cu 30 x 6 mm)	1	380
93112-0342	Distribution cabinet, size 1, fairground, height 1430 mm, one door, with busbar system (5-conductor E-Cu 30 x 6 mm)	1	380
93112-0401	Distribution cabinet, size 1, height 1005 mm, two doors, with mounting panel PVC 895 x 686 x 6 mm (H x W x D), asymmetric doors	1	374
93113-0000	Distribution cabinet, size 1, height 1355 mm, one door, empty enclosure	1	375
93113-0201	Distribution cabinet, size 1, height 1355 mm, one door, with mounting panel PVC 1245 x 686 x 6 mm (H x W x D)	1	375
93120-0000	Distribution cabinet, size 2, height 845 mm, one door, empty enclosure	1	376
93120-0201	Distribution cabinet, size 2, height 845 mm, one door, with mounting panel PVC 750 x 988 x 6 mm (H x W x D)	1	376
93120-0302	Distribution cabinet, size 2, height 845 mm, one door, with busbar system (4-conductor E-Cu 30 x 8 mm), fits max. 10 installation units	1	376
93120-0401	Distribution cabinet, size 2, height 845 mm, two doors, with mounting panel PVC 750 x 988 x 6 mm (H x W x D), asymmetric doors	1	376
93121-0302	Distribution cabinet, size 2, height 1005 mm, two doors, with busbar system (4-conductor E-Cu 30 x 8 mm), fits max. 10 installation units	1	377
93122-0000	Distribution cabinet, size 2, height 1005 mm, two doors, empty enclosure	1	377
93122-0201	Distribution cabinet, size 2, height 1005 mm, two doors, with PVC mounting panel 895 x 1016 x 6 mm (H x W x D)	1	377
93122-0332	Distribution cabinet, size 2, fairground, height 1005 mm, two doors, with busbar system (5-conductor E-Cu 30 x 8 mm)	1	381
93122-0342	Distribution cabinet, size 2, fairground, height 1430 mm, two doors, with busbar system (5-conductor E-Cu 30 x 8 mm)	1	381
93122-0401	Distribution cabinet, size 2, height 1005 mm, two doors, with PVC mounting panel 895 x 1016 x 6 mm (H x W x D), asymmetric doors	1	377
93123-0000	Distribution cabinet, size 2, height 1355 mm, two doors, empty enclosure	1	378
93123-0201	Distribution cabinet, size 2, height 1355 mm, two doors, with PVC mounting panel 1245 x 988 x 6 mm (H x W x D)	1	378
93123-0401	Distribution cabinet, size 2, height 1355 mm, two doors, with PVC mounting panel 1245 x 988 x 6 mm (H x W x D), asymmetric doors	1	378
93191-0000	Distribution cabinet 154, flat design, height 1500 mm, one door	1	368
93191-0201	Distribution cabinet 154, flat design, height 1500 mm, one door, with PVC mounting panel 418 x 600 x 6 mm (H x W x D)	1	368
93250-0010	Steel floor-grid kit VS 115/135	1	410
93250-0013	House service pillar 115, height 1150 mm, 1 x 3 NH00, input via V-clamp 10 – 95 mm ² se, output via flat-clamp 10 – 70 mm ² se	1	412
93250-0113	House service pillar 115, height 1150 mm, 1 x 3 NH00, input via V-clamp 35 – 240 mm ² se, output via flat-clamp 10 – 70 mm ² se	1	412
93250-0211	Distribution pillar 135, height 1350 mm, with PVC mounting panel, 290 x 350 x 6 mm (H x W x D), round	1	410
93250-0213	House service pillar 115, height 1150 mm, 1 x 3 NH00, input via V-clamp 2 x 70 – 240 mm ² se, output via pressure plate 10 – 50 mm ² se	1	412
93250-0313	House service pillar 115, height 1150 mm, 2 x 3 NH00, input via V-clamp 35 – 240 mm ² se, output via flat-clamp 10 – 70 mm ² se	1	412
93250-0413	House service pillar 115, height 1150 mm, 2 x 3 NH00, input via V-clamp 2 x 70 – 240 mm ² se, output via pressure plate 10 – 70 mm ² se	1	412
93250-0513	House service pillar 115, height 1150 mm, 1 x 3 NH2, input via V-clamp 35 – 240 mm ² se, output via pressure plate 25 – 95 mm ² se	1	412
93250-0613	House service pillar 115, height 1150 mm, 1 x 3 NH2, input via V-clamp 2 x 70 – 240 mm ² se, output via pressure plate 25 – 95 mm ² se	1	412
93251-0010	Distribution pillar 115, height 1150 mm, round	1	410
93251-0013	House service pillar 135, height 1350 mm, 1 x 3 NH00, input via V-clamp 10 – 95 mm ² se, output via flat-clamp 10 – 50 mm ² se	1	412
93251-0030	Distribution pillar 135, fairground, height 904 mm	1	411
93251-0033	Distribution pillar 135, height 1350 mm, with fairground cutout for power socket combination	1	411
93251-0113	House service pillar 135, height 1350 mm, 1 x 3 NH00, input via V-clamp 35 – 240 mm ² se, output via flat-clamp 10 – 50 mm ² se	1	412
93251-0211	Distribution pillar 135, height 1350 mm, with PVC mounting panel, 290 x 350 x 6 mm (H x W x D), round	1	410
93251-0213	House service pillar 135, height 1350 mm, 1 x 3 NH00, input via V-clamp 2 x 70 – 240 mm ² se, output via pressure plate 10 – 50 mm ² se	1	412
93251-0313	House service pillar 135, height 1350 mm, 2 x 3 NH00, input via V-clamp 35 – 240 mm ² se, output via flat-clamp 10 – 70 mm ² se	1	412
93251-0413	House service pillar 135, height 1350 mm, 2 x 3 NH00, input via V-clamp 2 x 70 – 240 mm ² se, output via pressure plate 10 – 70 mm ² se	1	412

Order number index

Order number	Designation	UP	Page
93251-0511	Distribution pillar 135, height 1350 mm, with PVC mounting panel, 200 x 537 x 6 mm (H x W x D), round, cable outlet	1	410
93251-0513	House service pillar 135, height 1350 mm, 1 x 3 NH2, input via V-clamp 35 – 240 mm ² se, output via pressure plate 25 – 95 mm ² se	1	412
93251-0613	House service pillar 135, height 1350 mm, 1 x 3 NH2, input via V-clamp 2 x 70 – 240 mm ² se, output via pressure plate 25 – 95 mm ² se	1	412
93260-0010	Distribution pillar 142, height 1420 mm, flat design	1	382
93260-0013	House service pillar 142, height 1420 mm, 1 x 3 NH00, input via V-clamp 10 – 95 mm ² se, output via flat-clamp 10 – 70 mm ² se	1	422
93260-0113	House service pillar 142, height 1420 mm, 1 x 3 NH00, input via V-clamp 35 – 240 mm ² se, output via flat-clamp 10 – 70 mm ² se	1	422
93260-0211	Distribution pillar 142, height 1420 mm, flat design, with mounting panel PVC 600 x 276 x 6 mm (H x W x D)	1	382
93260-0213	House service pillar 142, height 1420 mm, 1 x 3 NH00, input via V-clamp 2 x 70 – 240 mm ² se, output via flat-clamp 10 – 70 mm ² se	1	422
93260-0312	Distribution pillar 142, height 1420 mm, flat design, with busbar system (4-conductor E-Cu 30 x 5 mm), max. 2 installation units	1	382
93260-0313	House service pillar 142, height 1420 mm, 2 x 3 NH00, input via V-clamp 35 – 240 mm ² se, output via flat-clamp 10 – 70 mm ² se	1	422
93260-0413	House service pillar 142, height 1420 mm, 1 x 3 NH2, input via V-clamp 35 – 240 mm ² se, output via pressure plate 25 – 95 mm ² se	1	422
93260-0513	House service pillar 142, height 1420 mm, 1 x 3 NH2, input via V-clamp 2 x 70 – 240 mm ² se, output via pressure plate 25 – 95 mm ² se	1	422
93261-0010	Distribution pillar 162, height 1595 mm, flat design	1	383
93261-0211	Distribution pillar 162, height 1595 mm, flat design, with mounting panel PVC 800 x 276 x 6 mm (H x W x D)	1	383
93261-0312	Distribution pillar 162, height 1595 mm, flat design, with busbar system (4-conductor E-Cu 30 x 5 mm), max. 2 installation units	1	383
93262-0010	Distribution pillar 152, height 1560 mm	1	382
93262-0211	Distribution pillar 152, height 1560 mm, flat design, with mounting panel PVC 700 x 278 x 6 mm (H x W x D)	1	382
93262-0312	Distribution pillar 152, height 1560 mm, flat design, with busbar system (4-conductor E-Cu 30 x 6 mm), max. 2 installation units	1	382
93263-0010	Distribution pillar 172, height 1710 mm	1	383
93263-0211	Distribution pillar 172, height 1710 mm, with PVC mounting panel 850 x 278 x 6 mm (H x W x D)	1	383
93263-0312	Distribution pillar 172, height 1710 mm, with busbar system (4-conductor E-Cu 30 x 6 mm), fits max. 2 installation units	1	383
93264-0010	Distribution pillar 202, height 2010 mm	1	384
93264-0211	Distribution pillar 202, height 2010 mm, with PVC mounting panel 1000 x 278 x 6 mm (H x W x D)	1	384
93264-0312	Distribution pillar 202, height 2010 mm, with busbar system (4-conductor E-Cu 30 x 6 mm), fits max. 2 installation units	1	384
93270-0010	Distribution pillar 155, height 1560 mm	1	382
93270-0211	Distribution pillar 155, height 1560 mm, with PVC mounting panel 700 x 500 x 6 mm (H x W x D)	1	382
93270-0312	Distribution pillar 155, height 1560 mm, with busbar system (4-conductor E-Cu 30 x 6 mm), fits max. 4 installation units	1	382
93271-0010	Distribution pillar 175, height 1710 mm	1	384
93271-0211	Distribution pillar 175, height 1710 mm, with PVC mounting panel 850 x 500 x 6 mm (H x W x D)	1	384
93271-0312	Distribution pillar 175, height 1710 mm, with busbar system (4-conductor E-Cu 30 x 6 mm), fits max. 4 installation units	1	384
93272-0010	Distribution pillar 205, height 2010 mm	1	385
93272-0211	Distribution pillar 205, height 2010 mm, with PVC mounting panel 1000 x 500 x 6 mm (H x W x D)	1	385
93272-0312	Distribution pillar 205, height 2010 mm, with busbar system (4-conductor E-Cu 30 x 6 mm), fits max. 4 installation units	1	385
93280-0010	Distribution pillar 157, height 1560 mm	1	383
93280-0211	Distribution pillar 157, height 1560 mm, with PVC mounting panel 755.5 x 756 x 6 mm (H x W x D)	1	383
93280-0312	Distribution pillar 157, height 1560 mm, with busbar system (4-conductor E-Cu 30 x 6 mm), fits max. 7 installation units	1	383
93281-0010	Distribution pillar 177, height 1710 mm	1	384
93281-0211	Distribution pillar 177, height 1710 mm, with PVC mounting panel 850 x 756 x 6 mm (H x W x D)	1	384
93281-0312	Distribution pillar 177, height 1710 mm, with busbar system (4-conductor E-Cu 30 x 6 mm), fits max. 7 installation units	1	384
93282-0010	Distribution pillar 207, height 2010 mm	1	385
93282-0211	Distribution pillar 207, height 2010 mm, with PVC mounting panel 1000 x 756 x 6 mm (H x W x D)	1	385
93282-0312	Distribution pillar 207, height 2010 mm, with busbar system (4-conductor E-Cu 30 x 6 mm), fits max. 7 installation units	1	385
93403-0023	Crystal-clear cover made of polycarbonate, PEN M4.1: 3 x terminal at output, safety cover: 2-piece, hinged, bored for sealing wire	1	423
93403-0053	Cover made of glass-fibre-reinforced polyester, PEN M4.1: 3 x terminal at output, safety cover: 2-piece, hinged, bored for sealing wire	1	423
93404-0003	Cover made of glass-fibre-reinforced polyester, 1 x cable inlet PEN M4.1: 3 x terminal at output, safety cover: 2-piece, hinged	1	423
93404-0013	House service box KH00 / K4 in accordance with DIN VDE 0660-505, PEN M1.1: 2 x terminal at output, 1 x 3 NH00, 100 A	1	423
93404-0023	House service box KH00 / K4 in accordance with DIN VDE 0660-505, PEN M1.1: 2 x terminals at output, 1 x 3 NH00, 100 A	1	423
93404-0033	House service box KH00 / K4 in accordance with DIN VDE 0660-505, 1 x 3 NH00, 100 A, input: 2 x steel-box V-clamp 10 – 95 mm ²	1	423
93412-0003	House service box KH1 / K12 in accordance with DIN VDE 0660-505, 1 x 3 NH2, 250 A, input: V-clamps 35 – 185 mm ² se	1	424
93412-0013	Cover made of glass-fibre-reinforced polyester 1 x cable inlet Input: Pressure plates 16 – 150 mm ² se	1	424
93412-0023	House service box KH1 / K12 in accordance with DIN VDE 0660-505, 1 x 3 NH2, 250 A	1	424
93412-0033	Cover made of glass-fibre-reinforced polyester 1 x cable inlet Input: Pressure plates 16 – 150 mm ² se	1	425
93412-0043	House service box KH1 / K12 in accordance with DIN VDE 0660-505, 1 x 3 NH2, 250 A	1	424
93412-0053	Loop-through type Cover made of glass-fibre-reinforced polyester 2 x cable inlet	1	425
93412-0073	Loop-through type Cover made of glass-fibre-reinforced polyester 2 x cable inlet	1	424
93412-0083	Loop-through type Cover made of glass-fibre-reinforced polyester with double breaker lugs 2 x cable inlet	1	425
93412-3701	Cover made of glass-fibre-reinforced polyester 1 x cable inlet Input: Pressure plates 16 – 150 mm ² se	1	425
93412-3763	Clear cover made of polycarbonate 1 x cable inlet Input: V-clamps 35 – 185 mm ² se	1	424
93420-0100	Polystyrene tray for thermal insulation, WKH 00-A, K20	1	438
93420-2100	Wall staples for plastering WKH00-A/K20, with screws	1	438
93424-0013	Overhead-line house service box F14, 1 x cable output, Output: Steel-box flat-clamp 6 – 70 mm ² Al/Cu	1	439
93424-0023	Overhead-line house service box F14, 2 x cable output, Output and input: Pressure plate 10 – 50 mm ² Cu/Al	1	439
93426-0033	Overhead-line house service box F16, 2 x cable output, Output and input: Pressure plate 10 – 50 mm ² Cu/Al	1	439
93427-0013	Overhead-line house service box F17, 2 x cable output, Output and input: Pressure plate 10 – 50 mm ² Cu/Al	1	439
93430-0043	Junction box, line interface box F4, 1 x 3DII, 15 A, 1 x input and output, input: Terminal 4 – 10 mm ² Al/Cu, output: 2.5 – 10 mm ² Al/Cu	1	443
93431-0073	Junction box, line interface box F7, 1 x 3NH00, 63 A, 1 x input and output	1	443
93432-0103	Junction box, line interface box F10, 1 x 3NH00, 63 A, 1 x input and output	1	443
93433-0143	Junction box, line interface box F14, 1 x 3 NH00, 100 A, 2 outputs, 1 x input and output, pressure plates 10 – 50 mm ² Cu/Al	1	443
93490-0000	Line interface boxes IP54, standard variant	1	443
93808-0000	Retrofit kit, size 00 to increase protection against contact of distribution cabinets from IP43 to IP44	1	389
93808-0010	Retrofit kit, size 0 to increase protection against contact of distribution cabinets from IP43 to IP44	1	389
93808-0020	Retrofit kit, size 1 to increase protection against contact of distribution cabinets from IP43 to IP44	1	389
93808-0030	Retrofit kit, size 2 to increase protection against contact of distribution cabinets from IP43 to IP44	1	389
93810-0414	Cover frame for flush-mounted wall rack for house service box K3/K4, RAL 9010, recess (H x W x D) 555 x 360 x 185 mm	1	426
93810-0725	Cover frame for flush-mounted wall box for house service box K3/K4, RAL 9010, recess (H x W x D) 555 x 360 x 185 mm	1	426
93810-1010	In-ground base, size 0 / 900 mm (kit)	1	370
93810-1692	Inlet flange for cable conduits for house service boxes K3/K4, size M50	1	426
93810-1693	Inlet flange for cable conduits for house service boxes K3/K4, size M63	1	426
93810-2406	Retrofit kit for rear-side cable inlet K3/K4, in the case of K3 only for variant with rear-side knock-out	1	426
93810-2843	Rain cover made of galvanised sheet metal for house service box K12 (H x W x D) 130 x 360 x 220 mm	1	426
93810-4000	Shim for the mounting of K3/K4 house service boxes on uneven walls	1	427
93810-5045	Service mast bracket for K4 house service boxes mounted on wooden masts	1	427
93810-5805	Base panel made of fibre-silicate to ensure protection against arcing in accordance with VDE 0100/DIN 57100, T732	1	427
93810-6534	Construction site connection box for K3/K4 house service boxes, IP 21, (H x W x D) 490 x 280 x 245 mm	1	427
93810-6535	Construction site connection frame for K4 house service boxes, IP 54, increases installation depth by 123 mm	1	427
93810-9108	Conversion kit for roof service mast mounting of house service box, open inlet	1	426
93815-0547	Lubricating paste assisting in feeding-in insulating discs without causing damage (50 gr. tube)	1	441
93815-1061	Seal for line inlet, sealing plate, ribbon cable 16 – 35 mm ²	1	442
93815-1117	Sealing plate for ribbon cable 16 mm ² , for overhead-line house service box	1	442
93815-1118	Sealing plate for ribbon cable 25/35 mm ² , for overhead-line house service box	1	442

Order number index

Order number	Designation	UP	Page
93815-6409	Seal for line inlet, pressure plate, single-strand line 16 – 50 mm ²	1	442
93815-6454	Seal for line inlet, pressure plate, ribbon cable 16 – 35 mm ²	1	442
93815-6911	Diverter DSU DIN 43637 for 3" – 3 1/2" tube, ribbon cable YDSA/NYDY 16/25/35 mm ² , for conductors 4 x 16/25/35 mm ² + 2 control lines	1	440
93815-6912	Diverter DSU DIN 43637 for 3" – 3 1/2" tube, single-strand line 10 – 70 mm ² , for conductor 10 – 50 mm ² , screw-type attachment (4)	1	441
93815-6913	Spacing discs in acc. with DIN 43 637 for overhead-line house service boxes, 3 1/2" tube, conductors 4 x 16 mm ² , single-strand line 10 – 70 mm ²	1	441
93815-6914	Spacing disc for single-strand line 10 – 70 mm ² , DIN 43637, for roof service masts with 3 1/2" tube, for conductors 10 – 50 mm ² + control line	1	441
93815-6915	Spacing disc for single-strand line 10 – 70 mm ² , DIN 43637, for roof service masts with 3 1/2" tube, for conductors 16 – 35 mm ² + control line	1	441
93815-6916	Spacing disc for single-strand line 10 – 70 mm ² , DIN 43637, for roof service masts with 3" tube, for conductors 16 – 35 mm ² + control line	1	441
93815-6917	Spacing disc for single-strand line 10 – 70 mm ² , DIN 43637, for roof service masts with 3" tube, for conductors 10 – 50 mm ² + control line	1	441
93815-6919	Spacing disc for ribbon cable YDSA/NYDY, DIN 43637, for roof service masts with 3" tube, for conductors 4 x 16 – 35 mm ² + control line	1	440
93815-6920	Spacing disc for ribbon cable YDSA/NYDY, DIN 43637, for roof service masts with 3 1/2" tube, for conductors 4 x 16 – 35 mm ² + control line	1	440
93815-6921	Insulating disc kit for roof service mast, 3" tube, single-strand line 4 x 16 mm ²	1	440
93815-6924	Insulating disc kit for roof service mast, 3" tube, single-strand line 10 – 50 mm ²	1	441
93815-6925	Diverter DSU DIN 43637 for 3" – 3 1/2" tube, ribbon cable YDSA/NYDY 16/25/35 mm ²	1	440
93815-6929	Spacing disc for ribbon cable YDSA/NYDY, DIN 43637, for roof service masts with 3 1/2" tube,	1	440
93815-6930	Spacing discs in acc. with DIN 43637 for overhead-line house service boxes, 3 1/2" tube,	1	440
93815-6933	Insulating disc kit for roof service mast, 3 1/2" tube, conductor 4 x 35 mm ² , ribbon cable YDSA/NYDY 16/25/35 mm ²	1	440
93815-6934	Insulating disc kit for roof service mast, 3 1/2" tube, single-strand line 16 – 70 mm ²	1	441
93815-6935	Insulating disc for single-strand line 10 – 70 mm ² , for plastic-insulated multiple-strand cables and shielded lines, 3 1/2" tube	1	441
93815-9106	Conversion kit K3/K4 for overhead line – single-strand line 4 x 16 – 50 mm ²	1	426
93815-9109	Conversion kit K3/K4 for overhead line – ribbon cable 4 x 16 mm ²	1	426
93815-9110	Conversion kit K3/K4 for overhead line – ribbon cable 4 x 25/35 mm ²	1	426
93815-9139	Conversion kit F14/F16/F17 for overhead line – single-strand line 4 x 16 – 50 mm ²	1	442
93815-9141	Conversion kit F14/F16/F17 for overhead line without spacing and seal for tube attachment	1	442
93815-9145	Conversion kit F14/F16/F17 for overhead line – ribbon cable 4 x 16 mm ²	1	442
93815-9146	Conversion kit F14/F16/F17 for overhead line – ribbon cable 4 x 25 mm ² / 35 mm ²	1	442
93815-9461	Wall staples for plastering WKH00-A/K20, with screws	1	438
93815-9606	Clamps for roof service mast with 3 – 3 1/2" tube, top part	1	442
93815-9635	Insulating disc kit for roof service mast, 3" tube, conductors 10 – 50 mm ²	1	442
93820-0138	Safety cover for busbars used with V-type feed clamps 100 x 560 mm (W x H) for distribution cabinets and pillars	1	389
93820-0994	Locking system, lock cylinder 40 mm, with 2 keys	1	390
93820-5038	Auxiliary fuse holder for NH fuse-links 3 x NH2	1	390
93820-5075	Filler material to reduce the accumulation of condensed water in enclosures located outdoors	1	368
93820-5517	Cabinet heating 33W, thermostatically controlled	1	390
93820-5593	Circuit diagram pocket, DIN A5, adhesive, RAL 7035	1	390
93820-5693	Circuit diagram pocket, DIN A4, adhesive, RAL 7035	1	390
93820-5924	Distribution cabinet lighting with switch and Schuko socket, 10 A	1	388
93820-7900	Cover for cable outlet for fairground distribution cabinet, size 0	1	379
93820-7901	Cover for cable outlet, size 1, fairground	1	380
93820-7902	Cover for cable outlet, size 2, fairground	1	381
93820-7930	Safety cover for busbars with symmetric bores, 102 x 560 mm (W x H) for distribution cabinets and pillars	1	389
93820-8570	Busbar kit, size 00, length 386 mm, E-Cu 3 x external-conductor busbar 30 x 6 mm (4 x M12)	1	369
93820-8579	Busbar kit, size 0, length 491 mm, E-Cu 3 x external-conductor busbar 30 x 6 mm (5 x M12)	1	370
93820-8580	Busbar kit, size 1, length 686 mm, E-Cu 3 x external-conductor busbar 30 x 6 mm (7 x M12)	1	373
93820-8581	Busbar kit, size 2, length 1016 mm, E-Cu 3 x external-conductor busbar 30 x 8 mm (10 x M12)	1	376
93820-8842	Double-locking, complete without lock cylinder, standard	1	390
93820-9626	Cover for lateral construction-site connection Ø 55 mm	1	389
93820-9846	Door opening limiter for distribution cabinets, size 00 - 2, limits door opening angle to approx. 110°	1	390
93825-0266	Steel floor grid kit VS 142/162	1	387
93825-0267	Steel floor-grid kit VS 115/135	1	410
93825-0269	Steel floor grid kit for distribution cabinet, size 00	1	369
93825-0270	Steel floor grid kit for distribution cabinet, size 0	1	370
93825-0271	Steel floor grid kit for distribution cabinet, size 1	1	373
93825-0272	Steel floor grid kit for distribution cabinet, size 2	1	376
93825-0273	Steel floor grid kit VS 152/172/202	1	387
93825-0274	Steel floor grid kit VS 155/175/205	1	387
93825-0275	Steel floor grid kit VS 157/177/207	1	387
93835-0010	In-ground base, size 00 / 900 mm (kit)	1	369
93835-0055	Base of underfloor power supply unit, cast iron, SF135M, with coupling, 5-pole, 63 A, IP67, for power supply	1	411
93835-0110	In-ground base, size 1 / 900 mm (kit)	1	373
93835-0120	In-ground base, size 1 / 1125 mm, flood-proofing (kit)	1	373
93835-0130	Floor-mounted base, size 1 / 250 mm	1	373
93835-0140	Wall bracket, size 1 with cover plate, 6 x drop-in stepped nipple grommets for cables of 50 - 185 mm ²	1	374
93835-0150	In-ground base, fairground, size 1, with 6 cable inlets	1	380
93835-0155	Floor-mounted base, fairground, size 1, with 6 cable inlets	1	380
93835-0210	In-ground base, size 2 / 900 mm (kit)	1	376
93835-0220	In-ground base, size 2 / 1125 mm, flood-proofing (kit)	1	376
93835-0230	Floor-mounted base, size 2 / 250 mm	1	376
93835-0240	Wall bracket, size 2 with cover plate, 9 x drop-in stepped nipple grommets for cables of 50 - 185 mm ²	1	377
93835-0250	In-ground base, fairground, size 2, with 9 cable inlets	1	381
93835-0255	Floor-mounted base, fairground, size 2, with 9 cable inlets	1	381
93835-1020	In-ground base, size 0 / 1125 mm, flood-proofing (kit)	1	370
93835-1030	Floor-mounted base, size 0 / 250 mm	1	370
93835-1040	Wall bracket, size 0 with cover plate, 4 x drop-in stepped nipple grommets for cables of 50 - 185 mm ²	1	371
93835-1050	In-ground base, fairground, size 0, with 4 cable inlets	1	379
93835-1055	Floor-mounted base, fairground, size 0, with 4 cable inlets	1	379
93840-0190	Mounting panel kit for socket combination	1	413
93840-1420	Mounting panel for VS 142 PVC 600 x 276 x 6	1	390
93840-1520	Mounting panel for VS 152 PVC 700 x 278 x 6	1	390
93840-1550	Mounting panel for VS 155 PVC 700 x 500 x 6	1	390
93840-1570	Mounting panel for VS 157 PVC 700 x 756 x 6	1	390
93840-1620	Mounting panel for VS 162 PVC 800 x 276 x 6	1	390
93840-1720	Mounting panel for VS 172 PVC 850 x 278 x 6	1	390
93840-1750	Mounting panel for VS 175 PVC 850 x 500 x 6	1	390
93840-1770	Mounting panel for VS 177 PVC 850 x 756 x 6	1	390
93840-2020	Mounting panel for VS 202 PVC 1000 x 278 x 6	1	390
93840-2050	Mounting panel for VS 205 PVC 1000 x 500 x 6	1	390
93840-2070	Mounting panel for VS 207 PVC 1000 x 756 x 6	1	390
93845-0410	Installation field for mounting panel 142/162 on underground angle, width 250 mm	1	391
93845-0411	Installation field 142/162 for rail-mounted devices, terminals and 2 x NH circuit breaker, size 00, width 250 mm, rail spacing 150 mm	1	391

Order number index

Order number	Designation	UP	Page
93845-0412	Installation field 142/162 for NH circuit breaker, size 1, width 250 mm, rail spacing 150 mm	1	391
93845-0413	Installation field 142/162 for rail-mounted devices and terminal, width 250 mm, rail spacing 150 mm	1	391
93845-0419	Installation field 142/162 for rail-mounted devices, width 250 mm, rail spacing 150 mm	1	391
93845-0510	Installation field for mounting panel 152 - 177 on underground angle, width 250 mm	1	391
93845-0511	Installation field 152 - 177 for rail-mounted devices, terminals and 2 x NH circuit breaker, size 00, width 250 mm, rail spacing 150 mm	1	391
93845-0512	Installation field 152 - 177 for NH circuit breaker, size 1, width 250 mm, rail spacing 150 mm	1	391
93845-0513	Installation field 152 - 177 for rail-mounted devices and terminals, width 250 mm, rail spacing 150 mm	1	391
93845-0515	Installation field 152 - 177 for rail-mounted devices, width 250 mm, rail spacing 150 mm	1	391
93845-0520	Installation field for mounting panel 152 - 177 on underground angle, width 500 mm	1	391
93845-0523	Installation field 152 - 177 for rail-mounted devices and terminals, width 500 mm, rail spacing 150 mm	1	391
93845-0525	Installation field 152 - 177 for rail-mounted devices, width 500 mm, rail spacing 150 mm	1	391
93845-0610	Installation field for mounting panel 202 - 207 on underground angle, width 250 mm	1	391
93845-0613	Installation field 202 - 207 for NH circuit breaker, size 1, width 250 mm, rail spacing 150 mm	1	391
93845-0614	Installation field 202 - 207 for rail-mounted devices and terminals, width 250 mm, rail spacing 150 mm	1	391
93845-0616	Installation field 202 - 207 for rail-mounted devices, width 250 mm, rail spacing 150 mm	1	391
93845-0618	Installation field 202 - 207 for rail-mounted installation devices, terminals and 2 x NH circuit breaker, size 00, width 250 mm, rail spacing 150 mm	1	391
93845-0620	Installation field for mounting panel 202 - 207 on underground angle, width 500 mm	1	391
93845-0624	Installation field 202 - 207 for rail-mounted devices and terminals, width 500 mm, rail spacing 150 mm	1	391
93845-0626	Installation field 202 - 207 for rail-mounted devices, width 500 mm, rail spacing 150 mm	1	391
93850-0051	Mounting kit VS 162 with membrane flange	1	390
93850-1420	Mounting kit for VS 142/162 with membrane flange in inlet	1	390
93850-1540	Mounting kit for VS 155/175 with membrane flange in inlet	1	390
93850-1570	Mounting kit for VS 157/177 with membrane flange in inlet	1	390
93850-2020	Mounting kit for VS 202 with membrane flange in inlet	1	390
93850-2040	Mounting kit for VS 205 with membrane flange in inlet	1	390
93850-2070	Mounting kit for VS 207 with membrane flange in inlet	1	390
93855-5340	Polystyrene tray for thermal insulation, WKH 00-A, K20	1	438
93855-5914	Mounting angle for cavity walls / exterior insulation using screws, wall staples, WKH 00-A, K20	1	438
93855-9094	Construction site connection with M 50 thread and earth conductor, WKH 00-A, K20	1	438
93865-0150	Socket combination 1 x CEE socket, 16 A, 5-pole, 2 x Schuko socket, 16 A	1	413
93865-0160	Socket combination 1 x CEE socket, 16 A, 5-pole, 2 x Schuko socket, 32 A	1	413
93865-0170	Socket combination 4 x Schuko socket, 16 A	1	413
93865-0180	Socket combination 1 x CEE socket, 16 A	1	413



EFEN GmbH has exercised great care creating this main catalog.

Nevertheless, EFEN GmbH does not assume liability for misrepresentation of information or changes without further notice. Accountability for damage that may result from the application of a description in this list is herewith excluded.



IN THE LINE OF POWER



Efficient Distribution

When it comes to reliable power supply, replacing nuclear power by renewable energies is one of the greatest challenges. To this end, EFEN offers consistent solutions for safety interfaces from power generation to power storage and to the selective control of consumers.



Reliable Protection

Reliable protection of people and assets is a key requirement of any power distribution system. The comprehensive solutions from EFEN ensure maximum safety in all areas of power supply, infrastructure and industry.



Smart Control

Higher energy efficiency reduces peak loads and lowers energy costs. Early-warning systems reduce minimal unplanned plant downtimes to the minimum. Smart solutions from EFEN ensure reliable communication and maximum availability of power distribution systems.

EFEN GmbH
Schlangenbader Str. 40
65344 Eltville, Germany
Tel. + 49 (0) 6129-46 -0
Fax + 49 (0) 6129-46-222
e-Mail: efen@efen.com
www.efen.com

Slovakia
EFEN Slovakia s.r.o
Odborárska 3
831 02 Bratislava
Slovensko/Slovakia
Tel. 00421 55 633 9898
Fax 00421 55 633 9898
e-Mail: efen@efen.sk

Logistic - Center
EFEN GmbH
Gewerbepark Nord 6
04938 Uebigau
Germany
Tel. +49 35365 893 0
Fax +49 35365 893 35
e-Mail: efen@efen.com

Hungary
EFEN Division
Guba Sándor u. 87
7400 Kaposvár
Hungary
Tel. +36-82-417559
Fax +36-82-417529
e-Mail: info@efen-hungaria.hu

Austria
EFEN GmbH
Prinzgasse 1/29/9
1220 Wien
Austria
Tel.: +43 (0) 676-9768-100
Fax: +43 12533033 3366
e-Mail: suchacek@efen.com

China
EFEN Shanghai Office
800 Shangchen Rd (1090 New Century Ave)
Room 517 CIMIC Building Shanghai 200120
China
Tel. +86 21 6575-8878
Fax +86 21 6575-8876
e-Mail: efen@efen.com.cn

Poland
EFEN sp. z o.o.
Aleja Młodych 26-28
41-106 Siemianowice Śląskie
Poland
Tel. +48 32 220 00 63
Fax +48 32 220 00 64
e-Mail: efen@efen.com.pl
export@efen.com.pl
www.efen.com.pl

