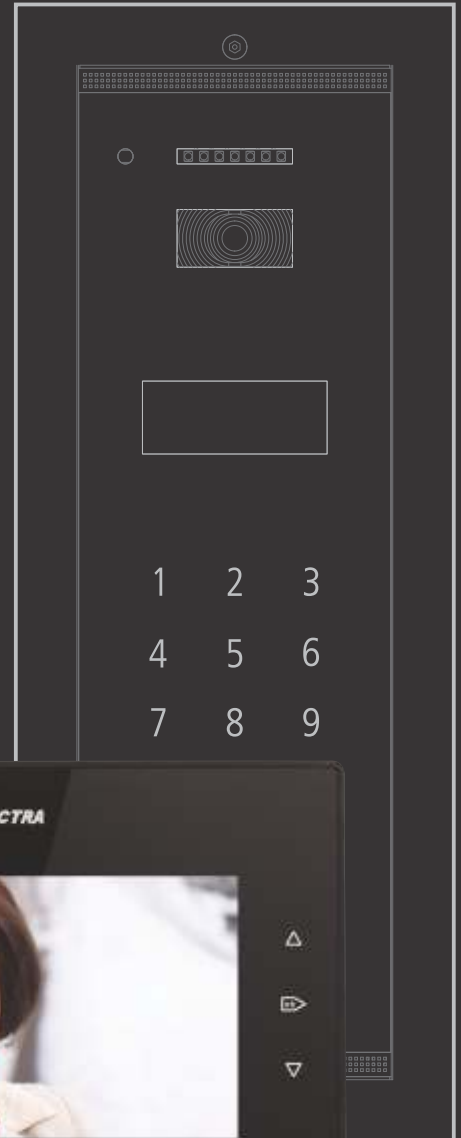


# ELECTRA

**TL Touch Line**



## VIDEO DOOR PHONES CATALOGUE 2019



## VIDEO DOOR PHONES CATALOGUE

● <b>4-WIRE System</b>	<b>5</b>
Video & Audio Indoor Terminals	5
Video Outdoor Panels	10
Accessory Equipment	17
Villa Kits	23
Example Diagrams	26
● <b>RESIDENTIAL RJ45-System</b>	<b>31</b>
Video & Audio Indoor Terminals	32
Video Outdoor Panels	33
Accessory Equipment	34
Example Diagrams	40



ELECTRA



smart+



## An original „touch”

The quote „complex, but not complicated” expresses, in the most relevant manner, the philosophy that underlies the product innovation and design process in **ELECTRA**.

The **Touch Line** range of video door phones was developed in the exact same lines, resulting in a comprehensive family of products, which harmoniously combines an **intuitive design** with a **diversity of functions** and **installation solutions** for houses, apartment buildings and residential centers.





Family 3

Family 2

Family 1



**ELECTRA**

## GLASS & TOUCH design

Chemically toughened GLASS is the essential material used for manufacturing the **Touch Line** range of video door phones, thus inducing a natural and timeless elegance. Apart from the minimalistic aesthetics, the chemically toughened glass also ensures other fundamental characteristics of the products: scratch and shock resistance, impermeability, lasting polished aspect and easy maintenance.

Through the use of backlighted TOUCH keys, the **Touch Line** panels and terminals keep in line with the current tendencies in design and technology, as far as the ease of use is concerned, through a universally recognized visual language, with intuitive graphic markings. At the same time, through a solid and essentialized look, the products are easily integrated in the contemporary architecture and develop an authentic “aesthetics of the invisible”, representing a distinguished presence in any set-up, without being intrusive.

Designed and developed according to international standards and fabricated out of environment friendly materials, the **Touch Line** products comply with the principles of a democratic design, combining an accessible price with a premium appearance.

Furthermore, our assembly solution for the **Touch Line** panels and terminals is very efficient, resulting in products with a slim appearance, but at the same time impermeable and mechanical shock resistant.

The outdoor panels have an aluminum frame and a chemically toughened glass front surface, doubled on the inside by the electronic board of the same dimension. In the same manner, the indoor terminals have an ABS case and a secured glass front surface, with the electronic board of the same dimension on the back.

Through the perfectly layered conjunction of the constructive elements, we created a line of robust products, protected from the external environmental factors and easy to install.







## Function icons

 Call answering  
+Video Monitoring

 Access granting

 Talk volume + Mute

 AUX command

 Picture taking

 Intercommunication

 Menu / Ok

 Navigation

People are different, therefore they have different expectations regarding protection and comfort. Some need a standard door phone, with classic functions, while others look for advanced solutions, which can offer further safety and usability.

We have taken this aspect into account when designing the **Touch Line** products, which are created on two levels of functions. The **smart+** level includes basic functions – call, talk, monitoring, access and auxiliary, reinterpreted with various options of adjustment and setting. The **extra** level offers more security by adding the picture taking function, with photo memory.

### smart+

- Hands-free call, answer and talk
- Video image during the entire duration of the call, talk, monitoring and access
- Video monitoring and full duplex talk
- Access granting during the call, talk and monitoring
- Easy access with proximity RFID tag/card
- Additional automations through AUX key: auto gate, garage door or lighting system
- Call and talk volume adjustment: 7 levels and Mute
- Ringtone duration: 1/2/3 calls or 1 min.
- Video image adjustment: brightness and chrominance
- Setting of lock timing: 1 – 10 sec.
- Storage / deletion of access tags


### extra



#### The smart+ features

#### plus:

- ⊕ Automatic picture taking at each call, optional in case of talk and monitoring
- ⊕ 100 pictures memory
- ⊕ Visualize / delete picture menu
- ⊕ Intercommunication with the parallel connected terminals



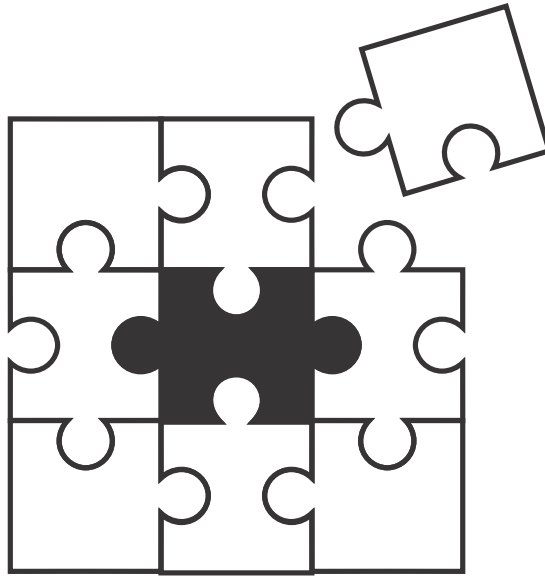
Welcome!  
Dial number or  
find name with 

1 2 3  
4 5 6  
7 8 9  
 0 



ELECTRA

## Modularity & Interconnectivity



The **Touch Line** products are designed departing from the underlying principles of the smart home: safety, comfort and interconnectivity.

All the elements of the **Touch Line** video door phone system have direct connections for a multitude of additional devices: various lock types, external video cameras, video recorder, automation of the auto gate, doorbell, additional call signaling device, additional panels and terminals.

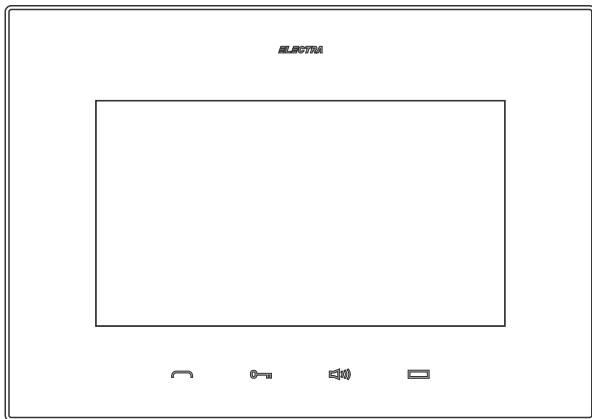
- Various types of locks: C.C. lock, A.C. lock or fail-safe lock.
- Exit button
- An auxiliary command, connected in the central unit: auto gate, garage door, outdoor lighting.
- An external video camera, connected and supplied with power directly from the central unit
- Up to 4 external video cameras, with one video selection box
- A video recorder (DVR) for recording images, connected in the central unit
- Doorbell, connected to the terminal
- Acoustic (GONG) or visual call signaling device, connected to the terminal
- Up to 3 additional video and audio terminals in each home
- Up to 3 additional outdoor panels, for multiple access gates (with a video selection box)
- A battery, ensuring the power supply of the door phone when power failure occurs.



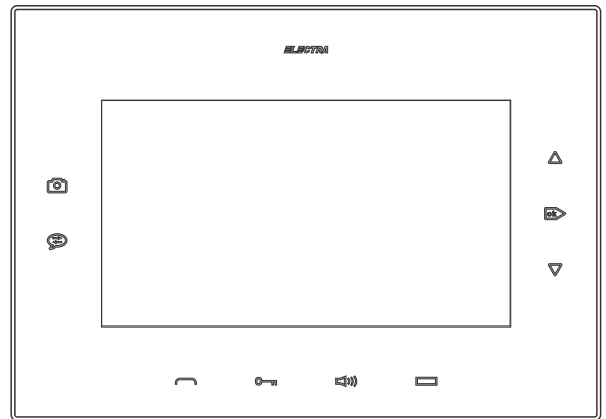


## VIDEO & AUDIO INDOOR TERMINALS smart+ / extra

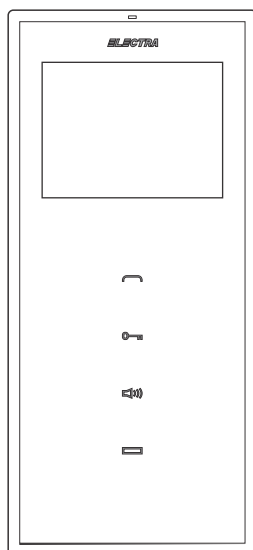
## STYLISH & HANDS-FREE



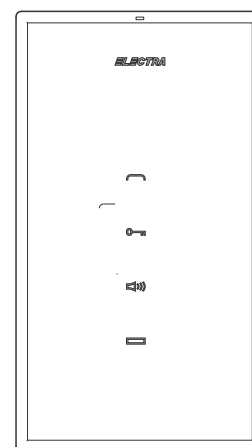
smart+



extra



smart+



smart+

Safety & comfort can be interpreted in various ways by different people. One may only need a standard door phone, with basic features, while others are looking for an evolved solution, which can offer more protection and coziness. We, at **ELECTRA**, perfectly understood both the need for security versus comfort, and the different perceptions of their meaning. Consequently, the **Touch Line** indoor terminals are designed with **smart+** and **extra** features. Also, due to the innovative technology of **Glass & Touch**, the terminals of the **Touch Line** family have a fresh and stylish appearance, appropriate to any interior design.



## 7" VIDEO TERMINAL smart+

STYLISH • GLASS & TOUCH • HANDS-FREE

Microphone



Call answering  
+ Monitoring

Access  
granting

Talk volume  
+ Mute

AUX  
command

Loudspeaker

Even if the smart+ level is the starting point of your Touch Line experience, you benefit from an extended pack of features with the 7" video terminal:

- Call & option for duration setting: 1/ 2/ 3 calls / 1 min.
- Full-duplex hands-free talk, without handset
- Video display during call, talk and monitoring
- Backlit keyboard during call, talk and monitoring
- 7 volume levels and mute option adjustable during call and conversation
- 5 ringtone options
- Access granting during call, talk and monitoring
- Option for an auxiliary command: auto gate, etc.
- 1 video terminal or up to 3 audio terminals in parallel
- Connectors for DOORBELL and GONG functions included



Surface  
mounting

- Product codes: White version **VTM.7S402.ELW04**  
Black version **VTM.7S402.ELB04**
- Product size: 162 x 227 x 20mm
- 3 mm chemically toughened Glass on a plastic case
- Surface mounting: only 20 mm thickness!
- 7" LCD-Display: 800xRGBx480 ▲/▼/◀/▶50/70/70/70
- Electrical connections with screw connectors or RJ45
- Installation cable: any cable with 4 wires/min. 0.5mm<sup>2</sup>.  
Max. 200m distance (the cable section influences the functioning distances!)

## 7" VIDEO TERMINAL extra

STYLISH • GLASS & TOUCH • HANDS-FREE



### The smart+ features with extra options:

- Call & option for duration setting: 1/ 2/ 3 calls / 1 min.
- Full-duplex hands-free talk, without handset
- Video display during call, talk and monitoring
- Backlit keyboard during call, talk and monitoring
- 7 volume levels and mute option adjustable during call and conversation
- 5 ringtone options
- Access granting during call, talk and monitoring
- Option for an auxiliary command: auto gate, etc.
- 1 video terminal or up to 3 audio terminals in parallel
- Connectors for DOORBELL and GONG functions included
- ⊕ **Picture taking during call, talk or monitoring**
- ⊕ **Up to 100 pictures memory**
- ⊕ **Menu: View/Delete Pictures, Time&Date, Color&Brightness**
- ⊕ **Intercommunication with the parallel connected terminals**



Surface mounting

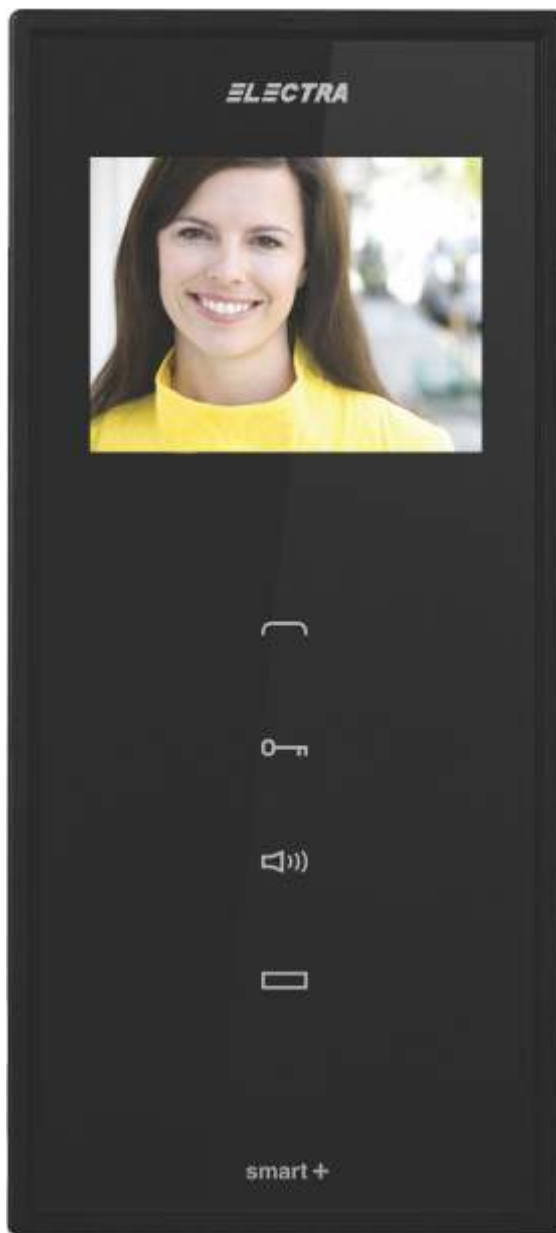
- Product codes: White version **VTE.7S902.ELW04**  
Black version **VTE.7S902.ELB04**
- Product size: 162 x 227 x 20mm
- 3 mm chemically toughened Glass on a plastic case
- Surface mounting: only 20 mm thickness!
- 7" LCD-Display: 800xRGBx480 ▲/▼/◀/▶ 50/70/70/70
- Electrical connections with screw connectors or RJ45
- Installation cable: any cable with 4 wires/min. 0.5mm<sup>2</sup>. Max. 200m distance (the cable section influences the functioning distances!)

## 3.5" VIDEO TERMINAL smart+

STYLISH • GLASS & TOUCH • HANDS-FREE

The **smart+** features are the following:

- Call & option for duration setting: 1/ 2/ 3 calls / 1 min.
- Full-duplex hands-free talk, without handset
- Video display during call, talk and monitoring
- Backlit keyboard during call, talk and monitoring
- 7 volume levels and mute option, adjustable during call and conversation
- 5 ringtone options
- Access granting during call, talk and monitoring
- Option for an auxiliary command: auto gate etc.
- 1 video terminal or up to 3 audio terminals in parallel
- Connectors for DOORBELL and GONG functions included



Microphone

Call answering  
+ Monitoring

Access  
granting

Talk volume  
+ Mute

AUX  
command

Loudspeaker



Surface  
mounting

- Product codes: White version **VTM.3S402.ELW04**  
Black version **VTM.3S402.ELB04**
- Product size: 212x96x22mm
- 3 mm chemically toughened Glass on a plastic case
- Surface mounting: only 22 mm thickness!
- 3.5" LCD-Display: 320 RGBx240 ▲/▼/◀/▶ 40/60/60/60
- Electrical connections with screw connectors or RJ45
- Installation cable: any cable with 4 wires/min. 0.5mm<sup>2</sup>.  
Max. 200m distance (the cable section influences the functioning distances!)

## AUDIO TERMINAL smart+

STYLISH • GLASS & TOUCH • HANDS-FREE

The **smart+** features are the following:

- Call & option for duration setting: 1/ 2/ 3 calls / 1 min.
- Full-duplex hands-free talk, without handset
- Audio monitoring, with bidirectional talk
- Backlit keyboard during call, talk and monitoring
- 7 volume levels and mute option, adjustable during call and conversation
- 5 ringtone options
- Access granting during call, talk and monitoring
- Option for an auxiliary command: auto gate etc.
- Up to 3 audio terminals in parallel
- Connectors for DOORBELL and GONG functions included



Surface mounting



Microphone

Call answering  
+ Monitoring

Access  
granting

Talk volume  
+ Mute

AUX  
command

Loudspeaker

- Product codes: White version **ATM.0S402.ELW04**  
Black version **ATM.0S402.ELB04**
- Product size: 170x96x22mm
- 3 mm chemically toughened Glass on a plastic case
- Surface mounting: only 22 mm thickness!
- 3.5" LCD-Display: 320 RGBx240 ▲/▼/◀/▶ 40/60/60/60
- Electrical connections with screw connectors or RJ45
- Installation cable: any cable with 4 wires/min. 0.5mm<sup>2</sup>. Max. 200m distance (the cable section influences the functioning distances!)

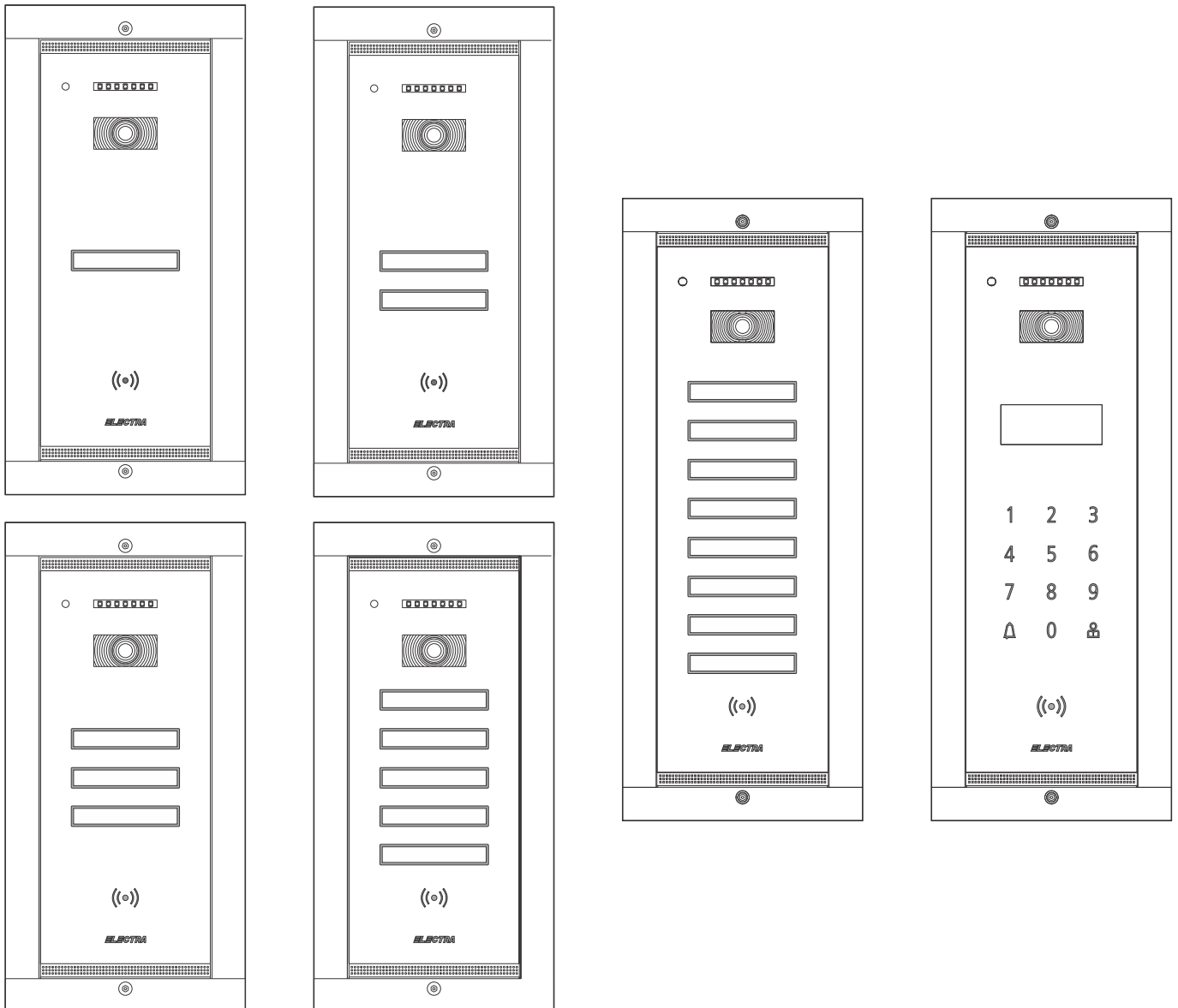






## VIDEO OUTDOOR PANELS

## RELIABILITY & VERSATILITY



Through the minimalistic, slim and design, the **Touch Line** outdoor panels are the definition of elegance, perfectly integrated in the architecture of any entrance. **Glass & Touch** technology for the outdoor units is an original approach, which offers genuine elegance and high reliability.

Furthermore, the compatibility with any type of **Touch Line** terminals means an incredible versatility, with a lot of possibilities to mix different feature levels and consequently to meet a very wide range of customer needs and demands.

## VIDEO OUTDOOR PANELS 1 Family

- Touch Keyboard
  - Toughened Glass
  - Extended Compatibility
  - Flush/Surface Mounting
- Call, audio and video, night view
  - Name displayed directly on the touch key
  - Secured electric lock opening
  - RFID access with proximity tag / card
  - ⊕ **1 additional video camera, connected directly in the central unit**
  - ⊕ **Up to 4 additional video cameras (with a video selection box)**
  - ⊕ **ON/OFF switchable video recording on DVR (digital video recording)**
  - ⊕ **Up to 3 additional outdoor panels**

Product codes:

Flush White version **VPM.1FR02.ELW04**  
(294 x 144 x 53 mm)

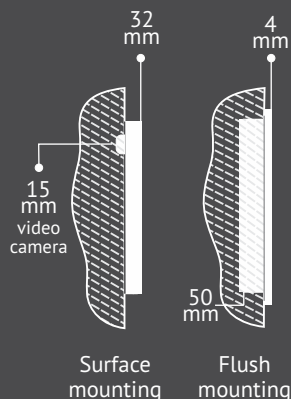
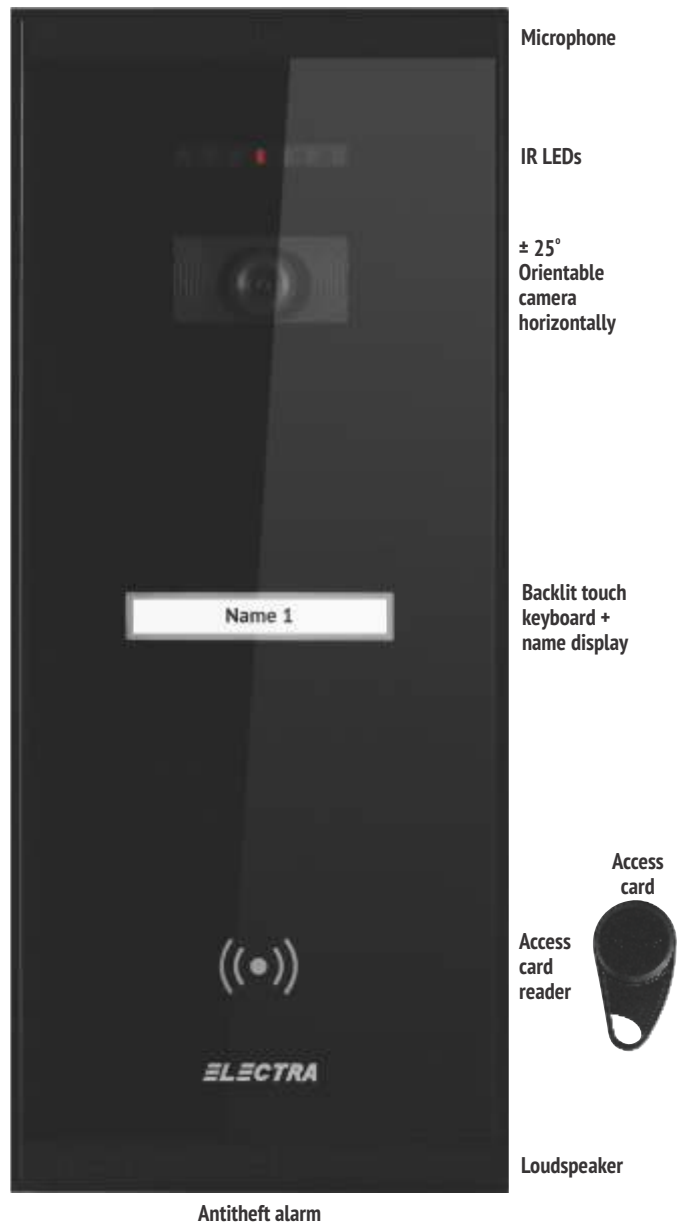
Flush Black version **VPM.1FR02.ELB04**  
(294 x 144 x 53 mm)

Surface White version **VPM.1SR02.ELW04**  
(260 x 110 x 33 mm)

Surface Black version **VPM.1SR02.ELB04**  
(260 x 110 x 33 mm)



## RESISTANT & RELIABLE



- IP 44-Aluminium case with chemically toughened Glass
- Operating temperature range: -30°C ... +60°C
- Supply voltage: 12 – 14 Vd.c.
- Video camera CMOS, 1/3", 573(H) x 597(V), 800 TVL video 1 Vpp / 75 Ω; PAL
- 6 IR LEDs, 850 nm ; 10 mW, mW/sr/LED
- Orientable video camera  $\pm 25^\circ$ , humidity proof against condensation
- ON/OFF switchable Red LED, signaling the possibility of video monitoring
- Electrical connections with screw connectors
- Installation cable: any cable with 4 wires/min. 0.5mm<sup>2</sup>. Max. 200m distance (the cable section influences the functioning distances!)

## VIDEO OUTDOOR PANELS 2 Families

- Touch Keyboard
  - Toughened Glass
  - Extended Compatibility
  - Flush/Surface Mounting
- Call, audio and video, night view
  - Name displayed directly on the touch key
  - Secured electric lock opening
  - RFID access with proximity tag / card
  - ⊕ 1 additional video camera, connected directly in the central unit
  - ⊕ Up to 4 additional video cameras (with a video selection box)
  - ⊕ ON/OFF switchable video recording on DVR (digital video recording)
  - ⊕ Up to 3 additional outdoor panels

Product codes:

Flush White version **VPM.2FR02.ELW04**  
(294 x 144 x 53 mm)

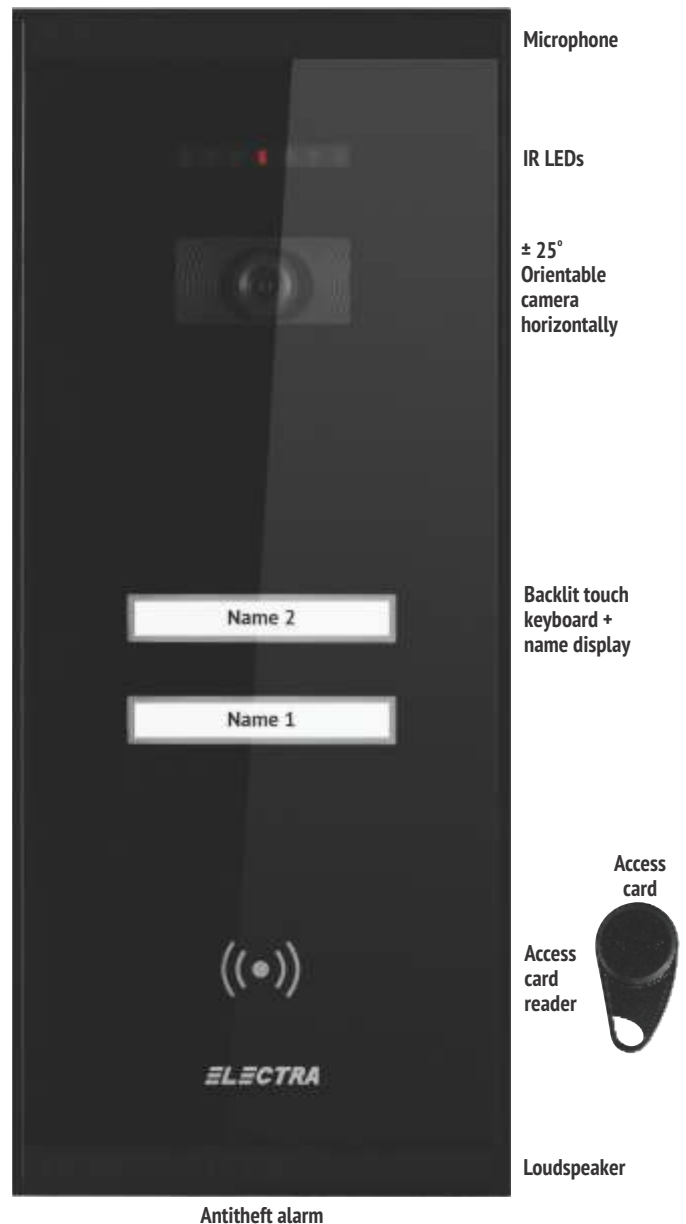
Flush Black version **VPM.2FR02.ELB04**  
(294 x 144 x 53 mm)

Surface White version **VPM.2SR02.ELW04**  
(260 x 110 x 33 mm)

Surface Black version **VPM.2SR02.ELB04**  
(260 x 110 x 33 mm)



## RESISTANT & RELIABLE



Microphone

IR LEDs

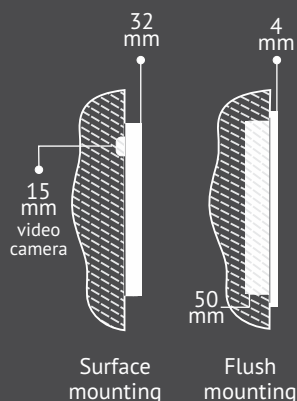
± 25°  
Orientable  
camera  
horizontally

Backlit touch  
keyboard +  
name display

Access  
card  
reader

Loudspeaker

Antitheft alarm



- IP 44-Aluminium case with chemically toughened Glass
- Operating temperature range: -30°C ... +60°C
- Supply voltage: 12 – 14 Vd.c.

- Video camera CMOS, 1/3", 573(H) x 597(V), 800 TVL video 1 Vpp / 75 Ω; PAL
- 6 IR LEDs, 850 nm ; 10 mW, mW/sr/LED
- Orientable video camera ± 25°, humidity proof against condensation
- ON/OFF switchable Red LED, signaling the possibility of video monitoring

- Electrical connections with screw connectors
- Installation cable: any cable with 4 wires/min. 0.5mm<sup>2</sup>. Max. 200m distance (the cable section influences the functioning distances!)

## VIDEO OUTDOOR PANELS 3 Families

- Touch Keyboard
- Toughened Glass
- Extended Compatibility
- Flush/Surface Mounting
- Call, audio and video, night view
- Name displayed directly on the touch key
- Secured electric lock opening
- RFID access with proximity tag / card
- ⊕ **1 additional video camera, connected directly in the central unit**
- ⊕ **Up to 4 additional video cameras (with a video selection box)**
- ⊕ **ON/OFF switchable video recording on DVR (digital video recording)**
- ⊕ **Up to 3 additional outdoor panels**

Product codes:

Flush White version **VPM.3FR02.ELW04**  
(294 x 144 x 53 mm)

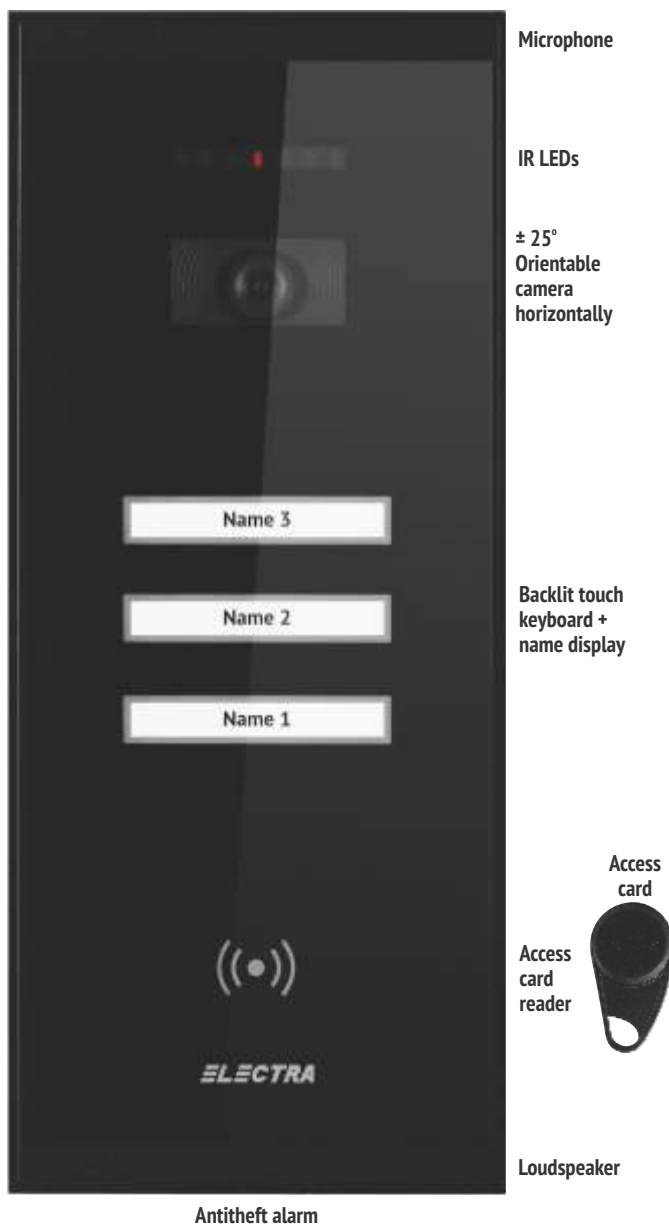
Flush Black version **VPM.3FR02.ELB04**  
(294 x 144 x 53 mm)

Surface White version **VPM.3SR02.ELW04**  
(260 x 110 x 33 mm)

Surface Black version **VPM.3SR02.ELB04**  
(260 x 110 x 33 mm)



## RESISTANT & RELIABLE



Microphone

IR LEDs

± 25°  
Orientable  
camera  
horizontally

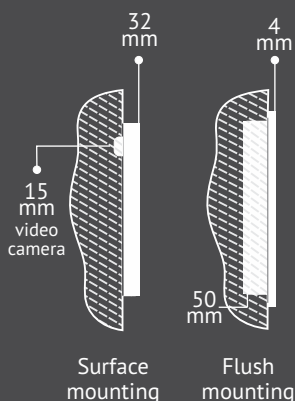
Backlit touch  
keyboard +  
name display

Access  
card

Access  
card  
reader

Loudspeaker

Antitheft alarm



- IP 44-Aluminium case with chemically toughened Glass
- Operating temperature range: -30°C ... +60°C
- Supply voltage: 12 – 14 Vd.c.

- Video camera CMOS, 1/3", 573(H) x 597(V), 800 TVL video 1 Vpp / 75 Ω; PAL
- 6 IR LEDs, 850 nm ; 10 mW, mW/sr/LED
- Orientable video camera ± 25°, humidity proof against condensation
- ON/OFF switchable Red LED, signaling the possibility of video monitoring

- Electrical connections with screw connectors
- Installation cable: any cable with 4 wires/min. 0.5mm<sup>2</sup>. Max. 200m distance (the cable section influences the functioning distances!)

## VIDEO OUTDOOR PANELS 5 Families

- Touch Keyboard
  - Toughened Glass
  - Extended Compatibility
  - Flush/Surface Mounting
- Call, audio and video, night view
  - Name displayed directly on the touch key
  - Secured electric lock opening
  - RFID access with proximity tag / card
  - ⊕ 1 additional video camera, connected directly in the central unit
  - ⊕ Up to 4 additional video cameras (with a video selection box)
  - ⊕ ON/OFF switchable video recording on DVR (digital video recording)
  - ⊕ Up to 3 additional outdoor panels

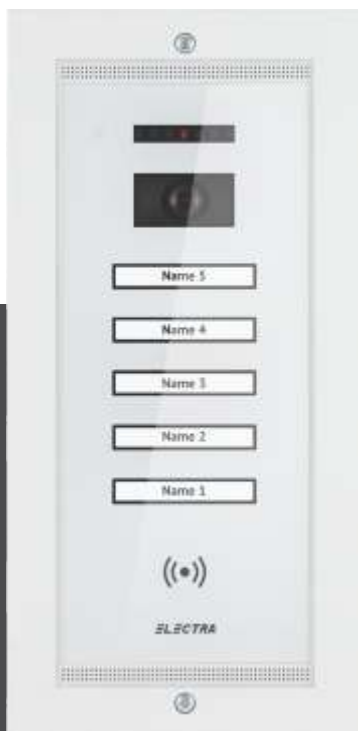
Product codes:

Flush White version **VPM.5FR02.ELW04**  
(294 x 144 x 53 mm)

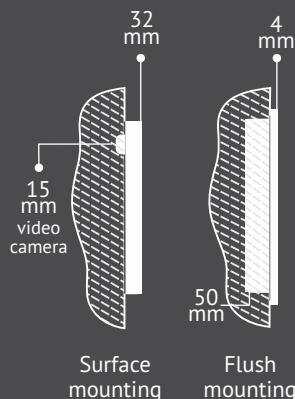
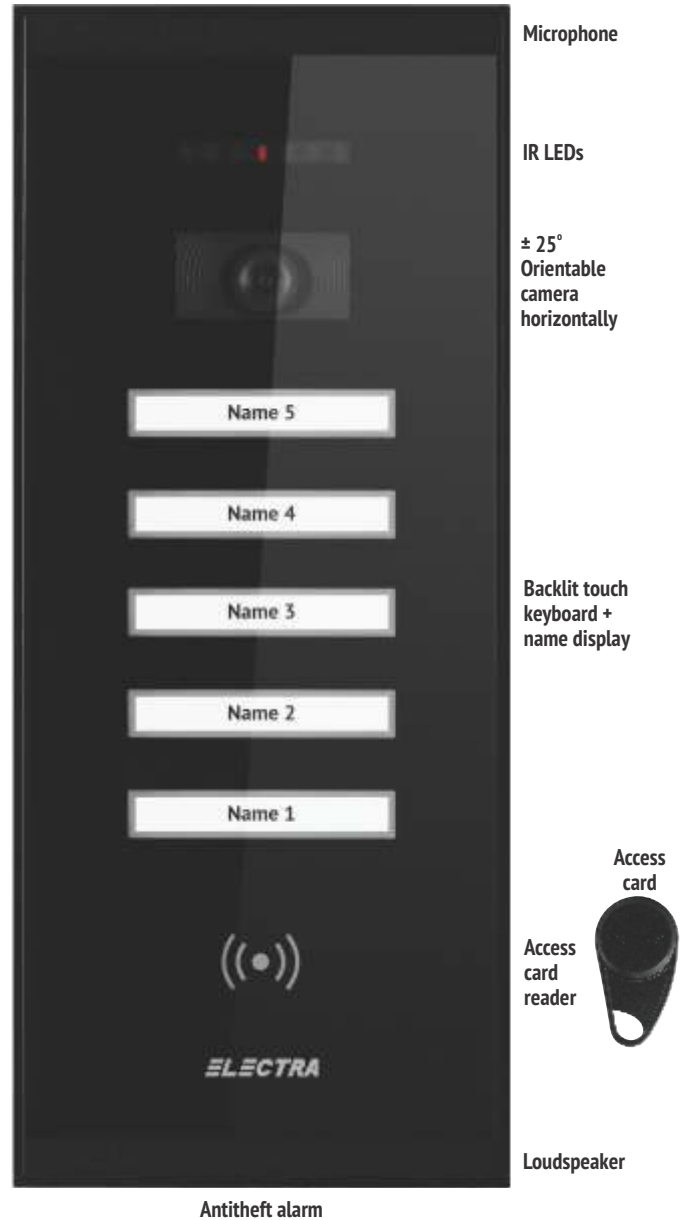
Flush Black version **VPM.5FR02.ELB04**  
(294 x 144 x 53 mm)

Surface White version **VPM.5SR02.ELW04**  
(260 x 110 x 33 mm)

Surface Black version **VPM.5SR02.ELB04**  
(260 x 110 x 33 mm)



## RESISTANT & RELIABLE



- IP 44-Aluminium case with chemically toughened Glass
- Operating temperature range: -30°C ... +60°C
- Supply voltage: 12 – 14 Vd.c.

- Video camera CMOS, 1/3", 573(H) x 597(V), 800 TVL video 1 Vpp / 75 Ω; PAL
- 6 IR LEDs, 850 nm ; 10 mW, mW/sr/LED
- Orientable video camera ± 25°, humidity proof against condensation
- ON/OFF switchable Red LED, signaling the possibility of video monitoring

- Electrical connections with screw connectors
- Installation cable: any cable with 4 wires/min. 0.5mm<sup>2</sup>. Max. 200m distance (the cable section influences the functioning distances!)



## VIDEO OUTDOOR PANELS 8 Families

## RESISTANT & RELIABLE

- Touch Keyboard
  - Toughened Glass
  - Extended Compatibility
  - Flush/Surface Mounting
- Call, audio and video, night view
  - Name displayed directly on the touch key
  - Secured electric lock opening
  - RFID access with proximity tag / card
  - ⊕ **1 additional video camera, connected directly in the central unit**
  - ⊕ **Up to 4 additional video cameras (with a video selection box)**
  - ⊕ **ON/OFF switchable video recording on DVR (digital video recording)**
  - ⊕ **Up to 3 additional outdoor panels**

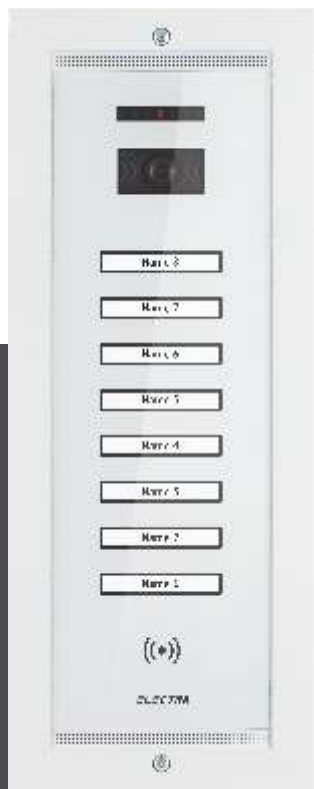
Product codes:

Flush White version **VPM.8FR02.ELW04**  
(374 x 144 x 53 mm)

Flush Black version **VPM.8FR02.ELB04**  
(374 x 144 x 53 mm)

Surface White version **VPM.8SR02.ELW04**  
(340 x 110 x 33 mm)

Surface Black version **VPM.8SR02.ELB04**  
(340 x 110 x 33 mm)



Microphone

IR LEDs

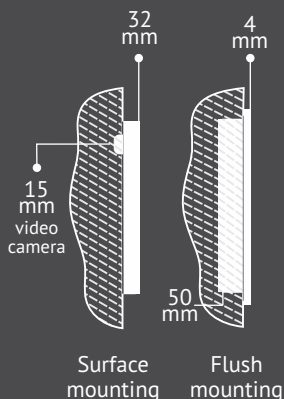
± 25°  
Orientable  
camera  
horizontally

Backlit touch  
keyboard +  
name display

Access  
card  
reader

Loudspeaker

Antitheft alarm



- IP 44-Aluminium case with chemically toughened Glass
- Operating temperature range: -30°C ... +60°C
- Supply voltage: 12 – 14 Vd.c.

- Video camera CMOS, 1/3", 573(H) x 597(V), 800 TVL video 1 Vpp / 75 Ω; PAL
- 6 IR LEDs, 850 nm ; 10 mW, mW/sr/LED
- Orientable video camera ± 25°, humidity proof against condensation
- ON/OFF switchable Red LED, signaling the possibility of video monitoring

- Electrical connections with screw connectors
- Installation cable: any cable with 4 wires/min. 0.5mm<sup>2</sup>. Max. 200m distance (the cable section influences the functioning distances!)

## VIDEO OUTDOOR PANELS Up to 40 Families!

## RESISTANT & RELIABLE

- Touch Keyboard
  - Toughened Glass
  - Extended Compatibility
  - Flush/Surface Mounting
- Call, audio and video, night view
  - Electronic list of residents and message display
  - Secured electric lock opening
  - RFID access with proximity tag / card
  - ⊕ 1 additional video camera, connected directly in the central unit
  - ⊕ Up to 4 additional video cameras (with a video selection box)
  - ⊕ ON/OFF switchable video recording on DVR (digital video recording)
  - ⊕ Up to 3 additional outdoor panels

Product codes:

Flush White version **VPM.BFR02.ELW04**  
(374 x 144 x 53 mm)

Flush Black version **VPM.BFR02.ELB04**  
(374 x 144 x 53 mm)

Surface White version **VPM.BSR02.ELW04**  
(340 x 110 x 33 mm)

Surface Black version **VPM.BSR02.ELB04**  
(340 x 110 x 33 mm)



Microphone

IR LEDs

± 25°  
Orientable  
camera  
horizontally

Electronic display  
with 4 lines

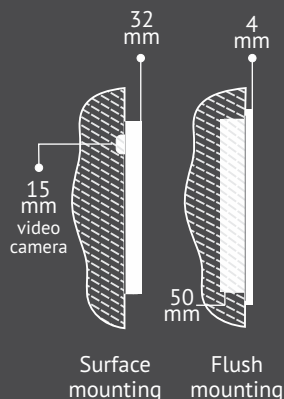
Backlit touch  
numeric keypad

Access  
card  
reader

Access  
card

Loudspeaker

Antitheft alarm



- IP 44-Aluminium case with chemically toughened Glass
- Operating temperature range: -30°C ... +60°C
- Supply voltage: 12 – 14 Vd.c.

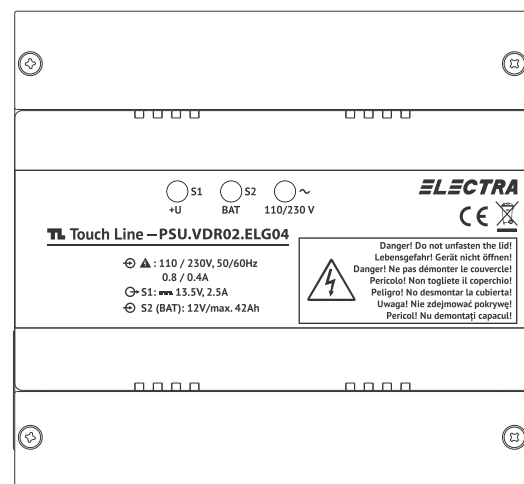
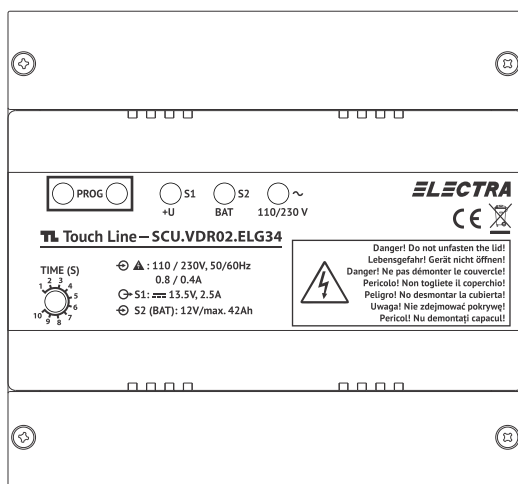
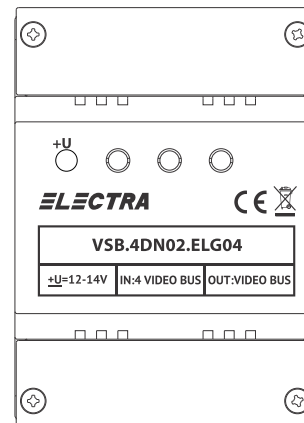
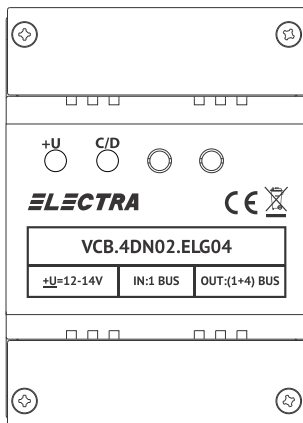
- Video camera CMOS, 1/3", 573(H) x 597(V), 800 TVL video 1 Vpp / 75 Ω; PAL
- 6 IR LEDs, 850 nm ; 10 mW, mW/sr/LED
- Orientable video camera ± 25°, humidity proof against condensation
- ON/OFF switchable Red LED, signaling the possibility of video monitoring

- Electrical connections with screw connectors
- Installation cable: any cable with 4 wires/min. 0.5mm<sup>2</sup>. Max. 200m distance (the cable section influences the functioning distances!)



## ACCESSORY EQUIPMENT

## SMART INTEGRATION



Integration is one of our permanent pursuits in product design and the accessory equipment for the **4-WIRE** systems were developed in this exact concept. The main advantage is the numerous configurations and system extensions that can be achieved with only a few components. For example, our 3 Family door phone uses only 3 types of products (outdoor panel, indoor terminals and supply unit), as the 3 indoor video terminals are connected directly in the central supply unit.

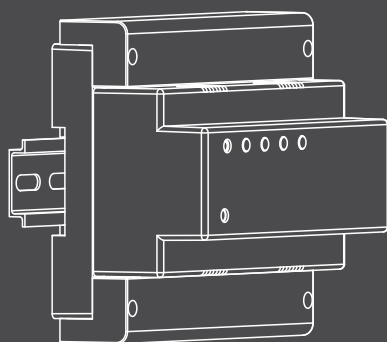
## VIDEO CENTRAL UNIT 1 output (1 family)

## CORE OF THE DOOR PHONE SYSTEM



The central supply unit is an essential element for any Touch Line installation. Through its constructive and functional features, the video central unit plays a decisive role in the interconnection, programming and functioning of all the elements of the video door phone system:

- The supply with power of the entire installation
- Input connection from the outdoor panel through **screw connectors**
- **1 Output** connection to the installation or 1 family terminals through **screw connectors**
- **Permanent diagnosis** of the functioning of the system and various light signaling
- **Short-circuit protection** for all the connected products
- Separate connections for **EXIT button** and multiple lock types: **D.C. locks, A.C. locks, electromagnetic locks**
- Setting the timing for the lock opening command between 1 – 10 sec.
- Separate connections for the **auxiliary command (AUX)**: auto gate, garage door, lighting system
- Possibility of connecting a **video recorder (DVR)**
- Possibility of connecting a **battery**
- Entry into the **programming mode** of the parameters of the installation



- Product code: **SCU.VDR02.ELG14**
- Product size: 130 x 140 x 73 mm
- Non-flammable plastic case
- DIN rail mounting, TH 35 X 15/ 35 x 7.5; DIN 46277-3, EN50022, IEC60715 standard

#### Light signaling:

- Presence of grid tension – 110 – 230 Va.c., 50/60 Hz – green LED
- Presence of stabilized tension – 13.5 V/ 2.5 Ad.c. – green LED
- Presence and signalling of the well-functioning of the battery – green LED
- Entry into programming mode – red LED

- Electrical connections with screw connectors
- Installation cable: any cable with 4 wires/min. 0.5mm<sup>2</sup>.  
Max. 200m distance (the cable section influences the functioning distances!)



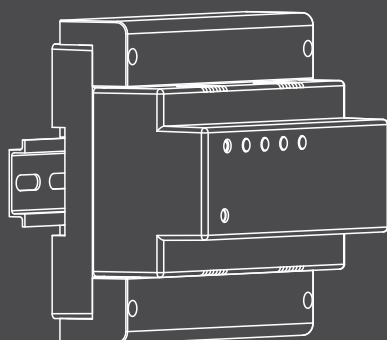
## VIDEO CENTRAL UNIT 3 outputs (2, 3 families)

## CORE OF THE DOOR PHONE SYSTEM



The central supply unit is an essential element for any Touch Line installation. Through its constructive and functional features, the video central unit plays a decisive role in the interconnection, programming and functioning of all the elements of the video door phone system:

- The supply with power of the entire installation
- Input connection from the outdoor panel through **screw connectors**
- **3 Outputs** connections to the 3 families terminals through **screw connectors**
- **Permanent diagnosis** of the functioning of the system and various light signaling
- **Short-circuit protection** for all the connected products
- Separate connections for **EXIT button** and multiple lock types: **D.C. locks, A.C. locks, electromagnetic locks**
- Setting the timing for the lock opening command between 1 – 10 sec.
- Separate connections for the **auxiliary command (AUX)**: auto gate, garage door, lighting system
- Possibility of connecting a **video recorder (DVR)**
- Possibility of connecting a **battery**
- Entry into the **programming mode** of the parameters of the installation



- Product code: **SCU.VDR02.ELG34**
- Product size: 130 x 140 x 73 mm
- Non-flammable plastic case
- DIN rail mounting, TH 35 X 15/ 35 x 7.5; DIN 46277-3, EN50022, IEC60715 standard

#### Light signaling:

- Presence of grid tension: 110 – 230 Va.c., 50/60 Hz – green LED
- Presence of stabilized tension: 13.5 V/ 2.5 Ad.c. – green LED
- Presence and signalling of the well-functioning of the battery – green LED
- Entry into programming mode – red LED

- Electrical connections with screw connectors
- Installation cable: any cable with 4 wires/min. 0.5mm<sup>2</sup>.  
Max. 200m distance (the cable section influences the functioning distances!)

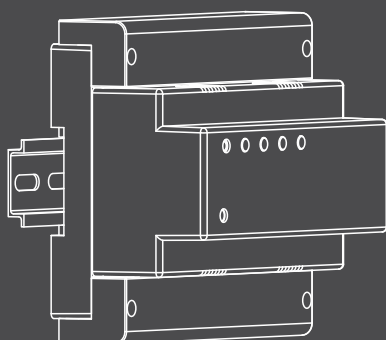
## ADDITIONAL POWER SUPPLY

## MORE POWER FOR VIDEO SYSTEMS



The video power supply is used for the supply with additional power in installations in which the consumption is above 2.5 Ad.c., which may occur when the D.C. lock is powered directly from the SCU or when there are multiple 7" video terminals installed.

- The supply with additional power of the video door phone system with a stabilized tension of 13.5 V/ 2 Ad.c.
- Possibility of connecting a battery
- Supply voltage diagnosis with light signalling
- The power supply is connected directly at the main or adjoining BUS, "in-line", in which case, one or more of the video connection box is powered.



- Product code: **PSU.VDR02.ELG04**
- Product size: 130 x 140 x 73 mm
- Non-flammable plastic case
- DIN rail mounting, TH 35 X 15/ 35 x 7.5; DIN 46277-3, EN50022, IEC60715 standard

#### Light signaling:

- Presence of grid tension: 110 – 230 Va.c., 50/60 Hz – green LED
- Presence of stabilized tension: 13.5 V/ 2 Ad.c. – green LED
- Presence and signalling of the well-functioning of the battery – green LED

- Electrical connections with screw connectors
- Installation cable: any cable with 4 wires/min. 0.5mm<sup>2</sup>.  
Max. 200m distance (the cable section influences the functioning distances!)

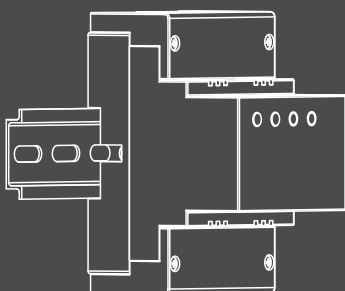
## VIDEO CONNECTION BOX

## SMART CONNECTIONS



### Connects max. 4 video/audio terminals to the main BUS in Video Door Phone System:

- Direct connections of the terminals through screw connectors:
  - The main CAN BUS of the door phone residential system
  - Additional 13.5 Vd.c. power supply
- Capacity:
  - 1 CAN input for the main BUS
  - 1 CAN output for the main BUS
  - 4 CAN outputs for 4 video/audio terminals
- Diagnosis with light signaling for:
  - Insufficient supply voltage (LED **+U**) for the installation, case in which an additional power supply must be installed.
  - Defect (short circuit) for the CAN BUS (LED **+U** and LED **C/D**) in the terminal, case in which the connection box isolates the defect area, while the rest of the installation continues to function.



- Product code: **VCB.4DN02.ELG04**
- Product size: 107 x 71 x 73 mm
- Plastic case
- DIN rail mounting, TH 35 X 15/ 35 x 7.5; DIN 46277-3, EN50022, IEC60715 standard
- Green LED (+U) for signaling the presence of 13.5 Vd.c. stabilized tension
- Green LED (C/D) for working CAN BUS system
- Electrical connections with screw connectors
- Installation cable: any cable with 4 wires/min. 0.5mm<sup>2</sup>.  
Max. 200m distance (the cable section influences the functioning distances!)

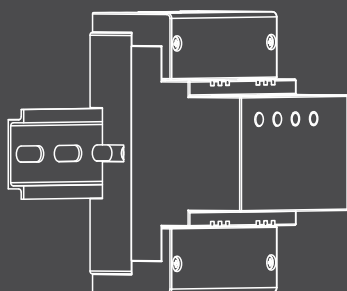
## VIDEO SELECTION BOX

## MULTIPLE VIDEO MONITORING

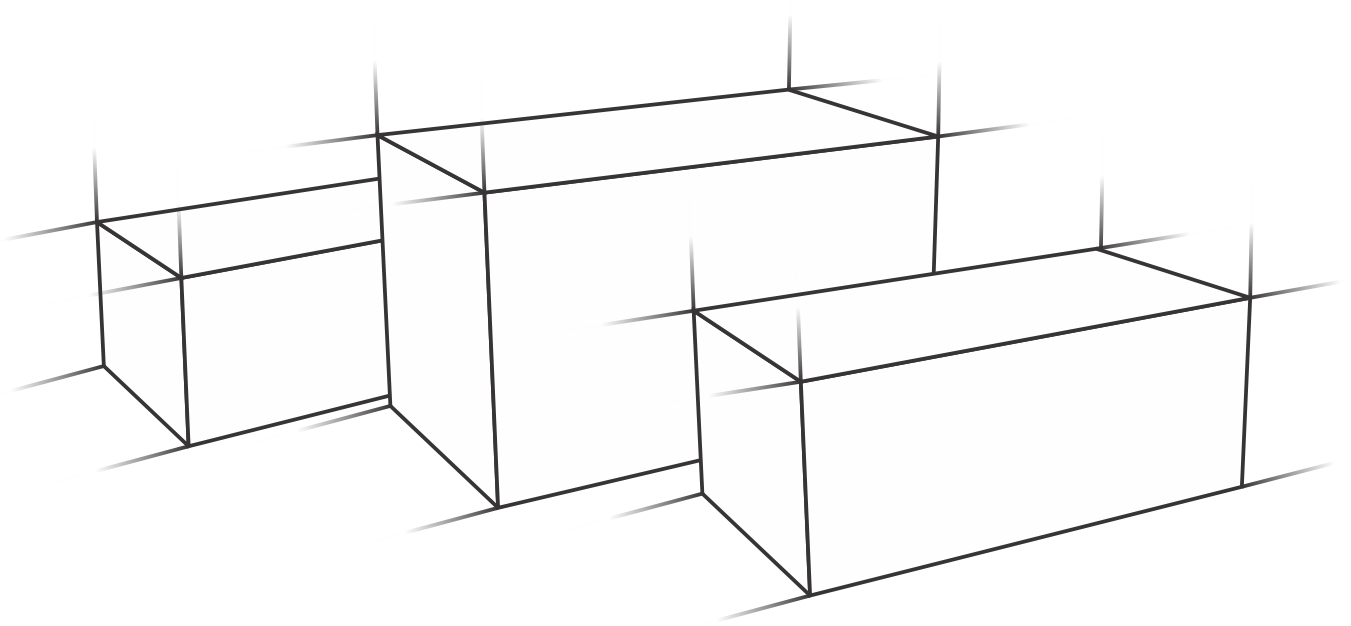


The video selection box with 4 inputs enables the interconnection of the door phone systems with additional outdoor panels and/or external video cameras.

- Direct connections for:
  - 4 video outdoor panels or external video cameras
  - Additional 13.5 Vd.c. power supply, for the case in which multiple external video cameras are installed
- LED **+U** indicator of supply voltage presence.



- Product code: **VSB.4DN02.ELG04**
- Product size: 107 x 71 x 73 mm
- Plastic case
- DIN rail mounting, TH 35 X 15/ 35 x 7.5; DIN 46277-3, EN50022, IEC60715 standard
- Green LED for signaling the presence of 13.5 Vd.c. stabilized tension
- Electrical connections with screw connectors
- Installation cable: any cable with 4 wires/min. 0.5mm<sup>2</sup>.  
Max. 200m distance (the cable section influences the functioning distances!)

**MULTI-FAMILY VIDEO KITS****COMPLETE SETS**

## Villa KITS

The **Touch Line** products are also available as complete sets. We offer a wide range of combinations for 1, 2 and 3 Families houses, with an attractive packaging.



## 1 FAMILY 3.5" / 7" VIDEO KITS smart+ / extra



315 x 165 x 165 mm

The KIT contains all the elements for a functional door phone system.

Furthermore, the systems allow the extension with many additional devices:

- Up to 3 additional outdoor panels
- Up to 3 additional video/audio terminals
- External video camera, connected in the central unit
- Video recorder (DVR), connected in the central unit
- Various lock types and EXIT button, secured connection in the central unit
- Auxiliary command, secured connection in the central unit
- DOORBELL and GONG, connected in the indoor terminal
- Battery connected in the central unit

1 Family KIT content:

- 1 x Video outdoor panel
- 1 x Video terminal
- 1 x Video central unit
- 5 x RFID Card

### Product codes for 1 family KITS:

#### 3.5" smart+ KITS:

##### 1 family

- Black + Surface Panel: VKM.P1SR.T3S4.ELB04
- Black + Flush Panel: VKM.P1FR.T3S4.ELB04
- White+ Flush Panel: VKM.P1FR.T3S4.ELW04

#### 7" smart+ KITS:

##### 1 family

- Black + Surface Panel: VKM.P1SR.T7S4.ELB04
- Black + Flush Panel: VKM.P1FR.T7S4.ELB04
- White+ Flush Panel: VKM.P1FR.T7S4.ELW04

#### 7" extra KITS:

##### 1 family

- Black + Surface Panel: VKE.P1SR.T7S9.ELB04
- Black + Flush Panel: VKE.P1FR.T7S9.ELB04
- White+ Flush Panel: VKE.P1FR.T7S9.ELW04

## MULTI- FAMILY 3.5" / 7" VIDEO KITS smart+ / extra



315 x 165 x 210 mm

The main advantage of our multi-family kits is the numerous configurations that can be achieved with only 3 main components - outdoor panel, supply central unit and terminals. Our supply central unit includes the connections for the indoor terminals also.

### 2 Families KIT content:

- 1 x Video outdoor panel
- 2 x Video terminal
- 1 x Video central unit
- 10 x RFID Card

### 3 families KIT content:

- 1 x Video outdoor panel
- 3 x Video terminal
- 1 x Video central unit
- 15 x RFID Card

### Product codes for multi-family KITS:

#### 3.5" smart+ KITS:

##### 2 families

- Black + Surface Panel: VKM.P2SR.T3S4.ELB04
- Black + Flush Panel: VKM.P2FR.T3S4.ELB04
- White+ Flush Panel: VKM.P2FR.T3S4.ELW04

##### 3 families

- Black + Surface Panel: VKM.P3SR.T3S4.ELB04
- Black + Flush Panel: VKM.P3FR.T3S4.ELB04
- White+ Flush Panel: VKM.P3FR.T3S4.ELW04

#### 7" smart+ KITS:

##### 2 families

- Black + Surface Panel: VKM.P2SR.T7S4.ELB04
- Black + Flush Panel: VKM.P2FR.T7S4.ELB04
- White+ Flush Panel: VKM.P2FR.T7S4.ELW04

##### 3 families

- Black + Surface Panel: VKM.P3SR.T7S4.ELB04
- Black + Flush Panel: VKM.P3FR.T7S4.ELB04
- White+ Flush Panel: VKM.P3FR.T7S4.ELW04

#### 7" extra KITS:

##### 2 families

- Black + Surface Panel: VKE.P2SR.T7S9.ELB04
- Black + Flush Panel: VKE.P2FR.T7S9.ELB04
- White+ Flush Panel: VKE.P2FR.T7S9.ELW04

##### 3 families

- Black + Surface Panel: VKE.P3SR.T7S9.ELB04
- Black + Flush Panel: VKE.P3FR.T7S9.ELB04
- White+ Flush Panel: VKE.P3FR.T7S9.ELW04

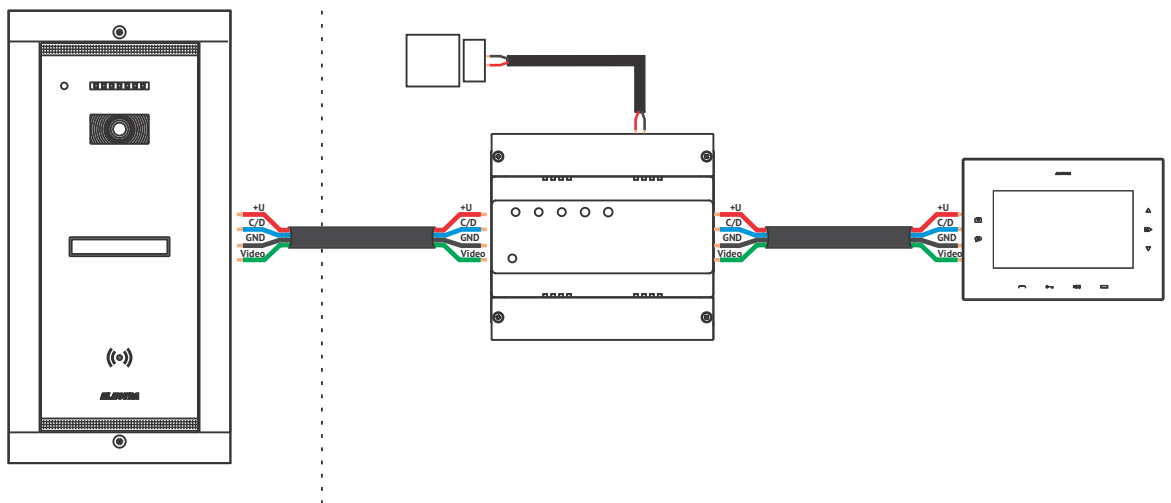




### ELEMENTS OF THE INSTALATION



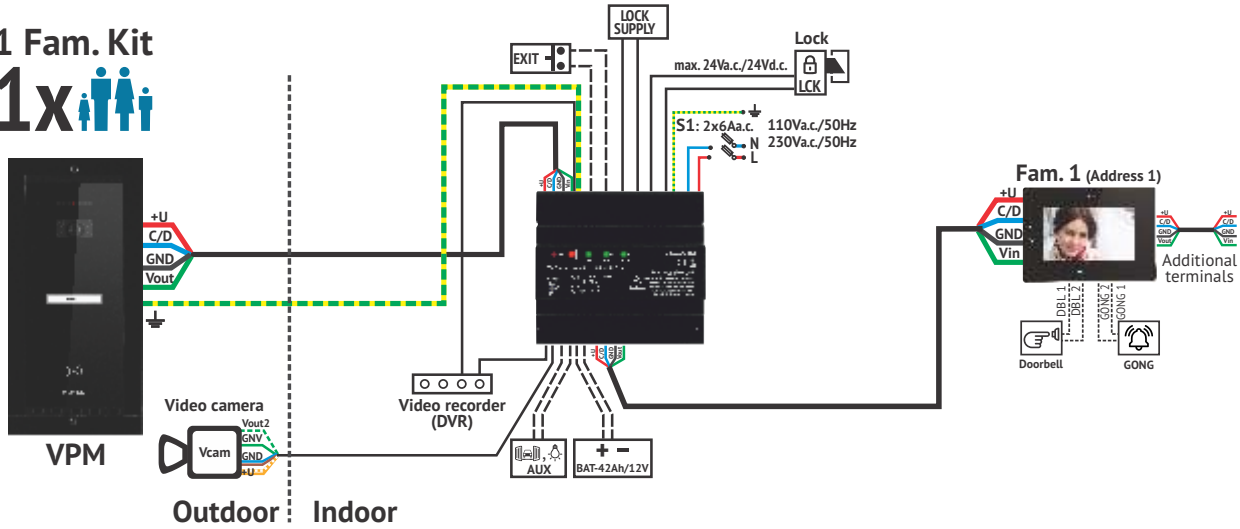
### EXAMPLE DIAGRAMS



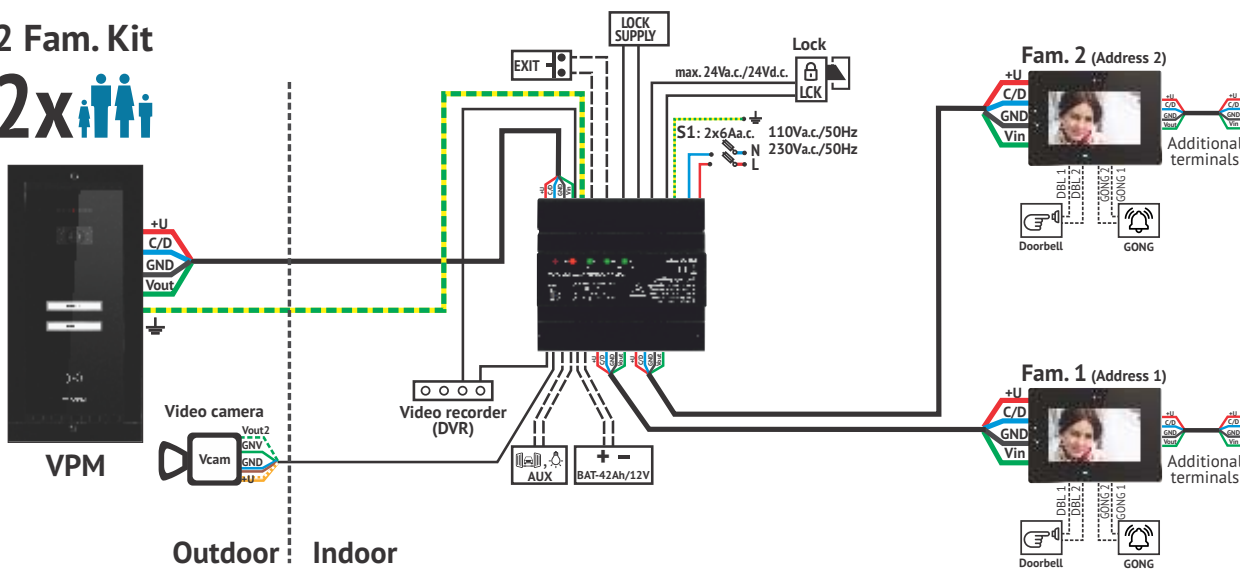
Flexibility is the main feature of the **Touch Line** range of door phones, from the installation point of view. Each **Touch Line** product is compatible with all the other products of the range. In addition, the **4-WIRE** connection is very simple and adaptable to a wide range of cables – 4 x 0.5 mm<sup>2</sup>, 4 x 0.75 mm<sup>2</sup>, UTP cat 5e. This incredible versatility allows a multitude of combinations that can be realized, consequently meeting a very wide range of customer needs and demands. The operating distance of our **4-WIRE** systems is max. 200m between the outdoor panel and the farthest terminal in the installation.



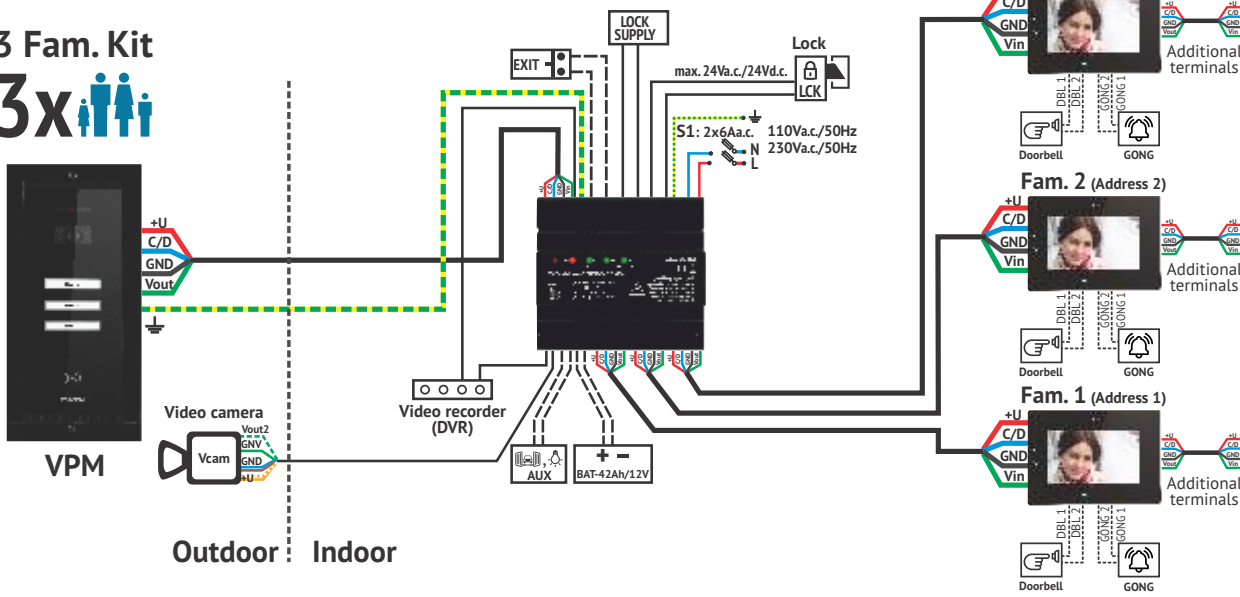
## 1 Fam. Kit 1x



## 2 Fam. Kit 2x



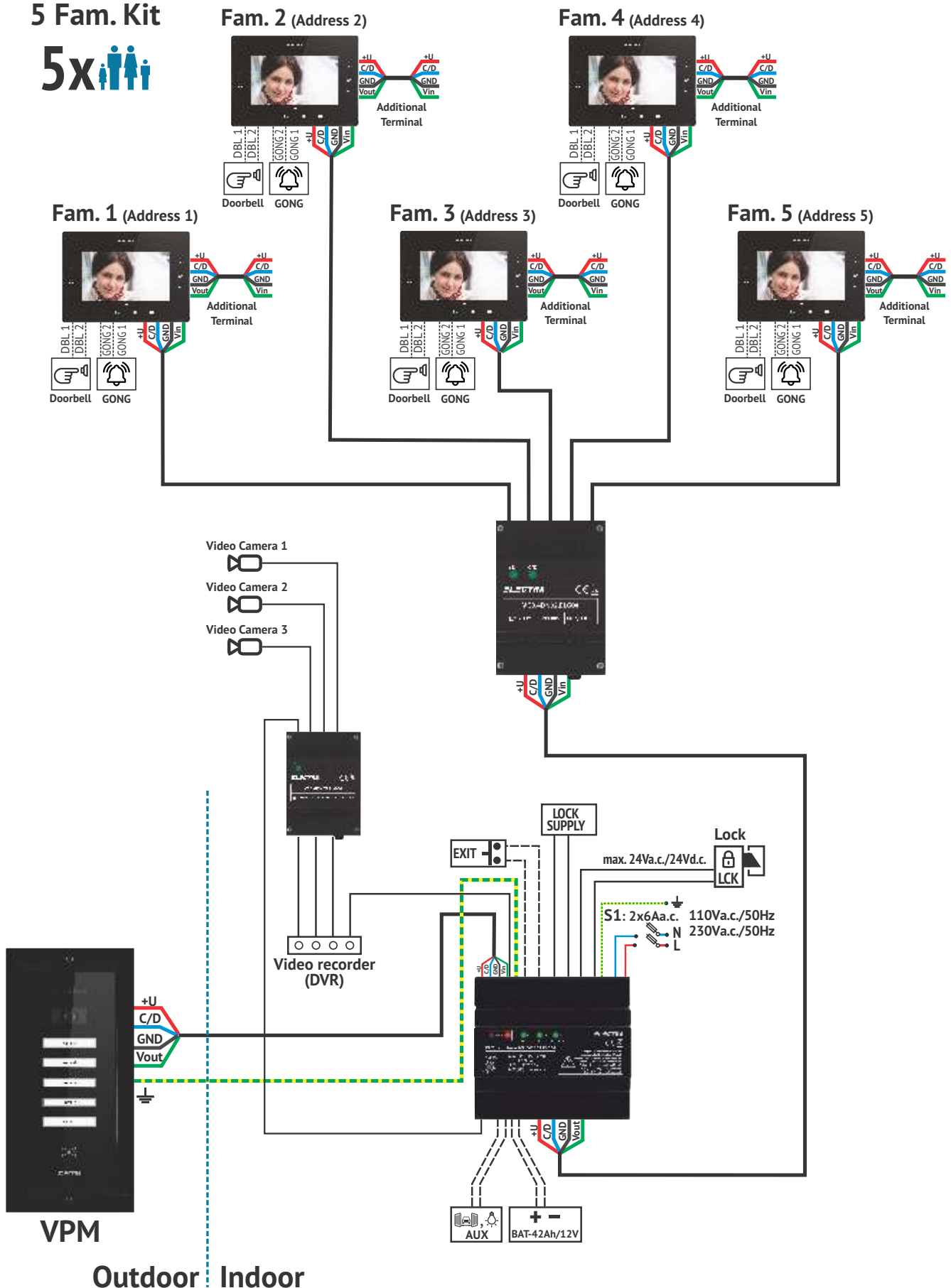
## 3 Fam. Kit 3x



- Electrical connections with screw connectors
- Installation cable: any cable with 4 wires/ min. 0.5mm<sup>2</sup> (the cable section influences the functioning distances!)
- In case of a current higher than 0.6 Ad.c. on the electrical lock, an additional power supply must be used for supplying the lock.



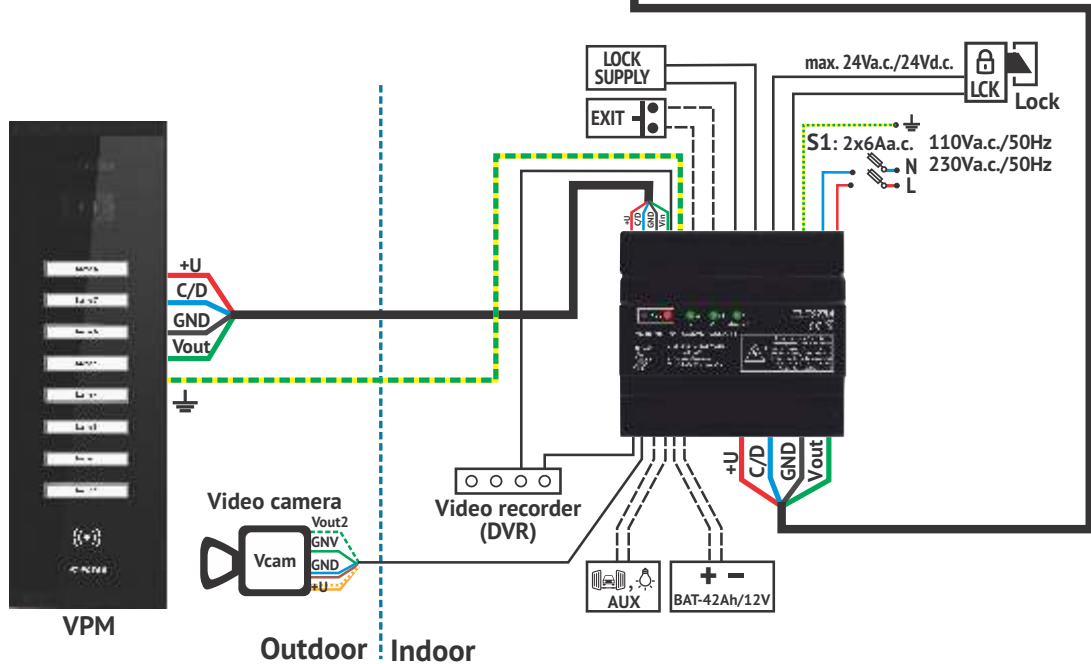
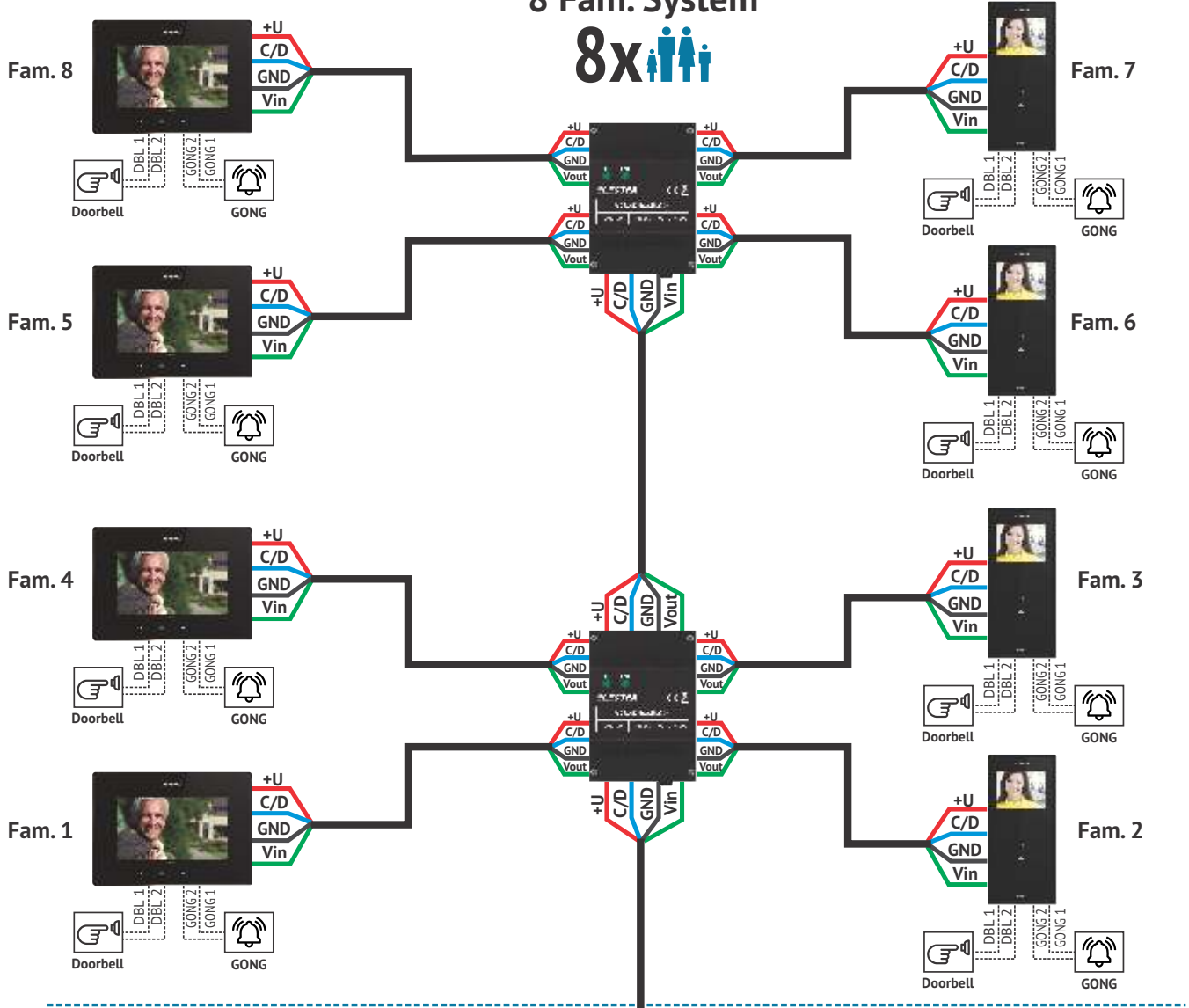
## 5 Fam. Kit



Outdoor Indoor

- Electrical connections with screw connectors
- Installation cable: any cable with 4 wires/ min.0.5mm<sup>2</sup> (the cable section influences the functioning distances!)
- In case of a current higher than 0.6 Ad.c. on the electrical lock, an additional power supply must be used for supplying the lock.

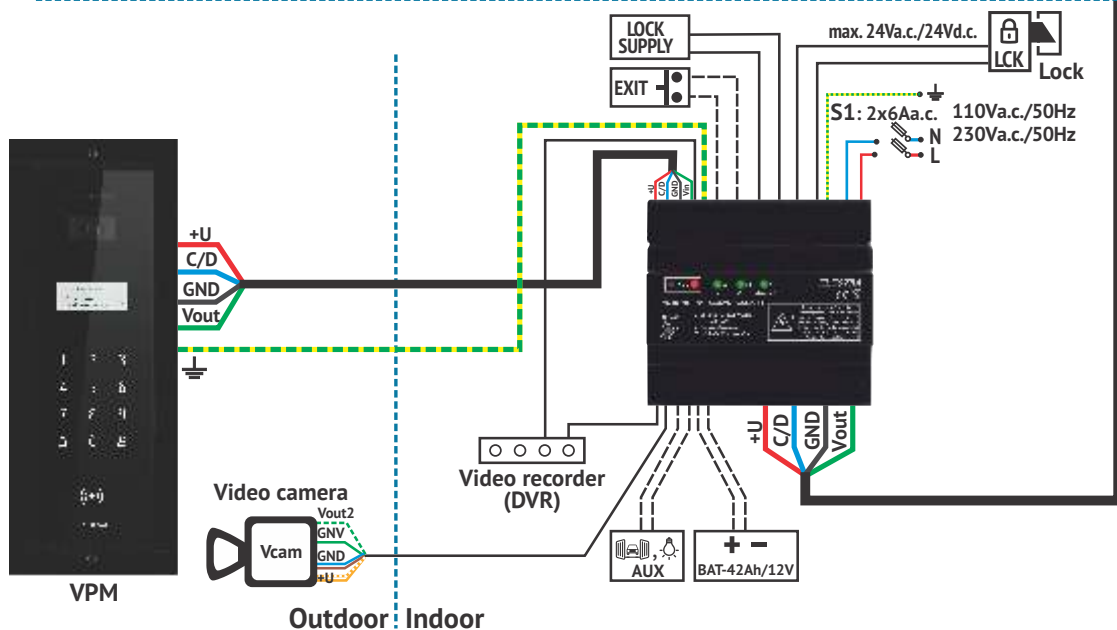
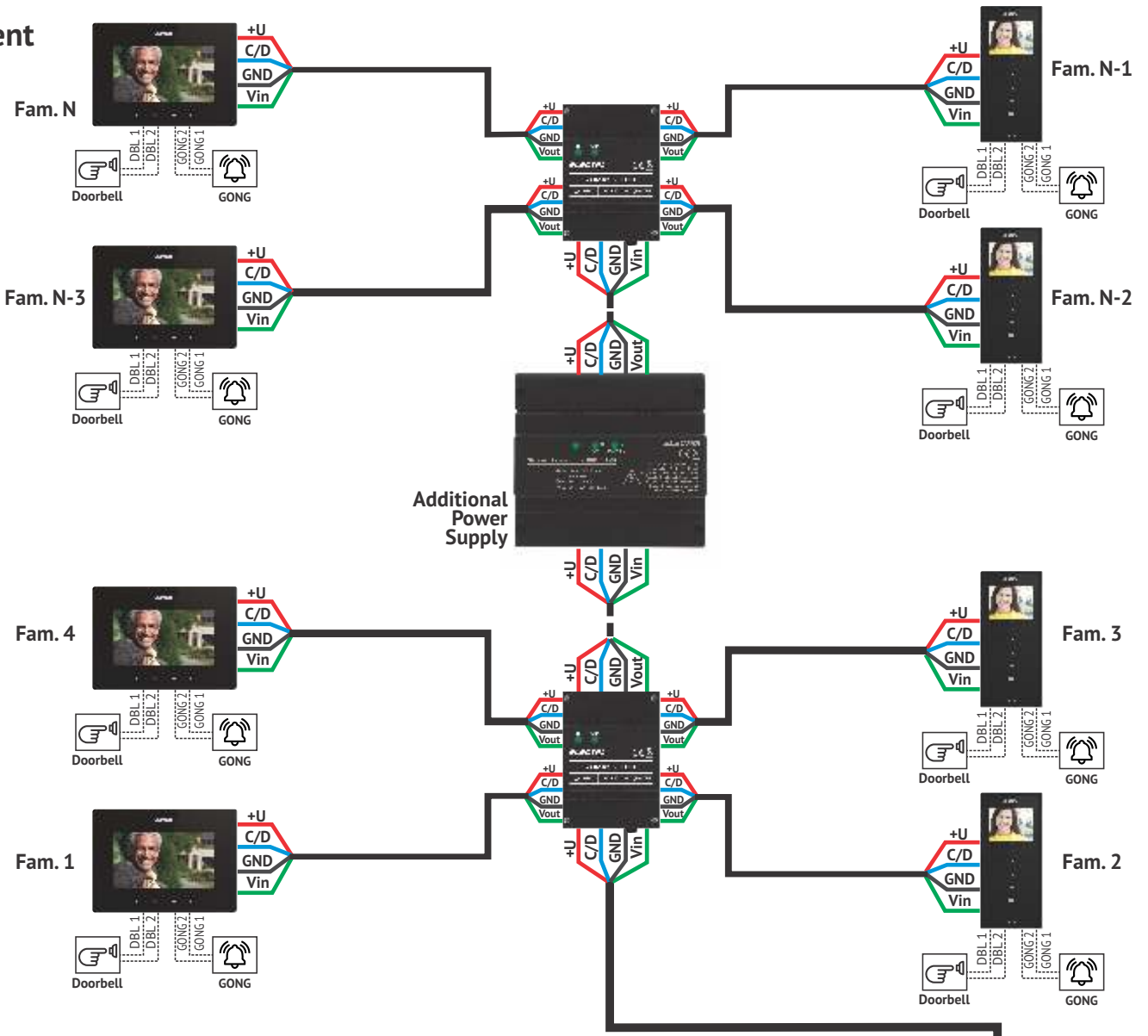
## 8 Fam. System



Outdoor Indoor

- Electrical connections with screw connectors
- Installation cable: any cable with 4 wires/ min. 0.5mm<sup>2</sup> (the cable section influences the functioning distances!)
- In case of a current higher than 0.6 Ad.c. on the electrical lock, an additional power supply must be used for supplying the lock

## Apartment building system

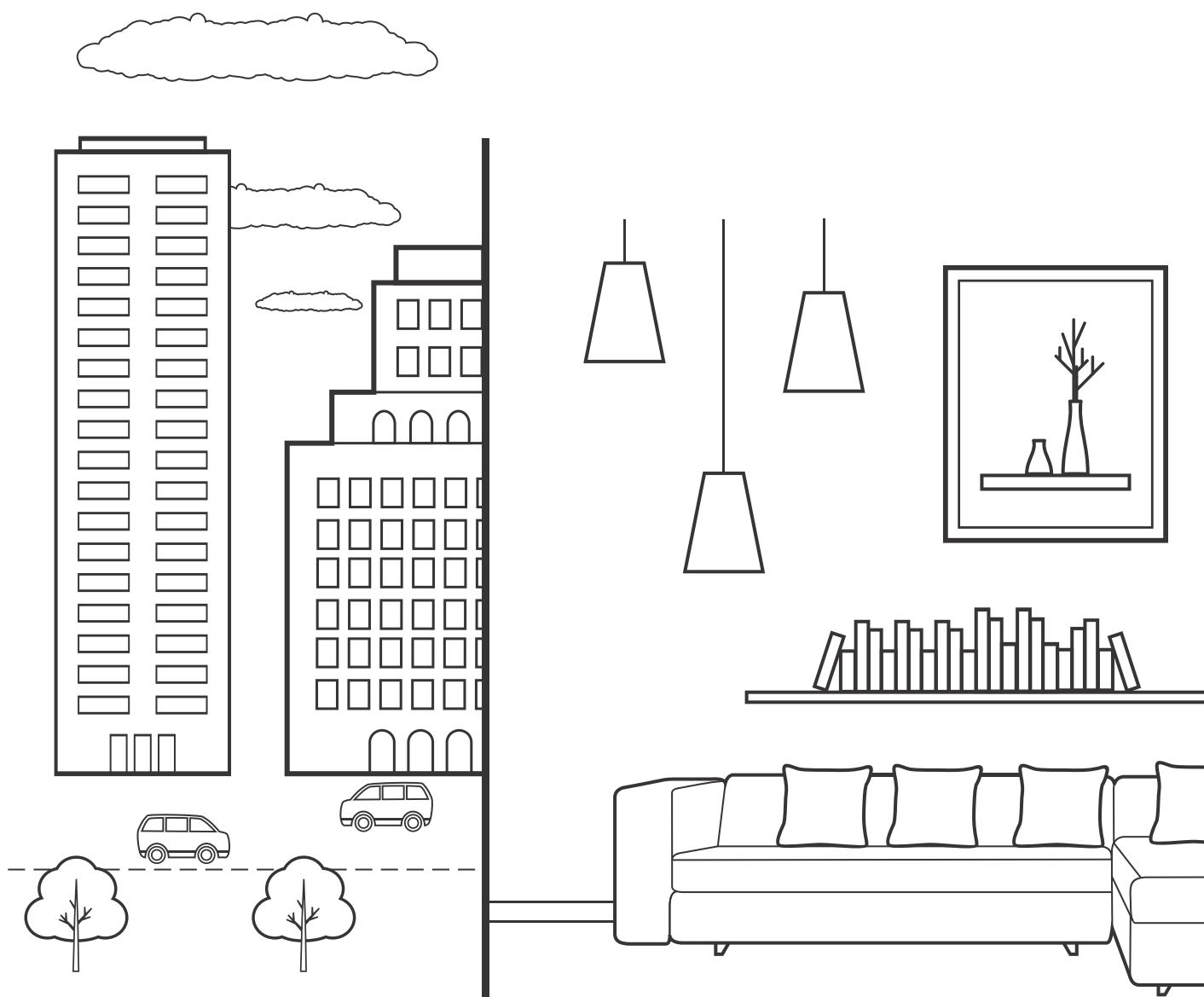


- Electrical connections with screw connectors
- Installation cable: any cable with 4 wires/ min. 0.5mm<sup>2</sup> (the cable section influences the functioning distances!)
- In case of a current higher than 0.6 Ad.c. on the electrical lock, an additional power supply must be used for supplying the lock





## LONG DISTANCE SOLUTIONS



The **Touch Line RESIDENTIAL** systems offer many configuration possibilities for complex building projects: apartment buildings of **up to 255 apartments**, residential centers with multi-family buildings. The use of **CAN-Technology**, dedicated **accessory equipment**, RJ45 connectors and UTP cat 5e/cat 6e cable increases the operating distance of our **RESIDENTIAL** solutions up to 2000m between the outdoor panel and the farthest terminal in the installation. The **RESIDENTIAL** systems also provide a smart diagnosis of potential functioning errors and errors caused by wrong connections. The **RESIDENTIAL** systems automatically isolate the defects, thus being very useful for installation and maintenance teams.



## VIDEO INDOOR TERMINALS

FOR LONG DISTANCES  
UP TO 2000 M.



**VTM.7S402.ELx04**  
(162 x 227 x 20 mm)



**VTE.7S902.ELx04**  
(162 x 227 x 20 mm)

x = color option (black - B or white - W)

The video indoor terminals can receive a video signal from a distance of 2000 m, displaying a very good image.



**VTM.3S402.ELx04**  
(212 x 96 x 22 mm)



**ATM.0S402.ELx04**  
(170 x 96 x 22 mm)

- The **Touch Line** audio and video terminals are designed to function both within a **4-WIRE** system, as well as with the **RESIDENTIAL** system
- In order for the terminals to function within the two installation systems, they are fitted with screw connectors for the **4-WIRE** system and with a RJ45 connector for the **RESIDENTIAL** system
- All the terminal functions presented for the **4-WIRE** version are also available for the **RESIDENTIAL** system.

- Surface mounting: only 20 mm thickness!
- 3 mm chemically toughened Glass on a plastic case
- 7" LCD-Display: 800xRGBx480 ▲/▼/◀/▶ 50/70/70/70 for 7" terminals
- 3.5" LCD-Display: 320 RGBx240 ▲/▼/◀/▶ 40/60/60/60 for 3.5" terminals

- Connections with screw connectors for **4-WIRE** system and RJ45 connectors for **RESIDENTIAL** system
- Installation cable: UTP/FTP cat5e (AWG24) or UTP/FTP cat 6e (AWG23)

## VIDEO OUTDOOR PANELS

## FOR LONG DISTANCES UP TO 2000 M.

1 Family



Flush version **VPM.1FR02.ELx0R**  
(294 x 144 x 53 mm)  
Surface version **VPM.1SR02.ELx0R**  
(260 x 110 x 33 mm)

2 Families



Flush version **VPM.2FR02.ELx0R**  
(294 x 144 x 53 mm)  
Surface version **VPM.2SR02.ELx0R**  
(260 x 110 x 33 mm)

3 Families



Flush version **VPM.3FR02.ELx0R**  
(294 x 144 x 53 mm)  
Surface version **VPM.3SR02.ELx0R**  
(260 x 110 x 33 mm)

5 Families



Flush version **VPM.5FR02.ELx0R**  
(294 x 144 x 53 mm)  
Surface version **VPM.5SR02.ELx0R**  
(260 x 110 x 33 mm)

x = color option (black - B or white - W)

The RESIDENTIAL video outdoor panels send a good video signal (for a very good image quality on the terminals) in long distance installations of up to 2000 m.

8 Families

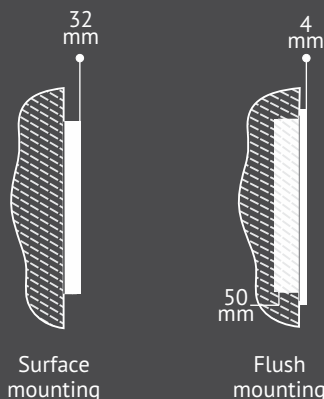


Flush version **VPM.8FR02.ELx0R**  
(374 x 144 x 53 mm)  
Surface version **VPM.8SR02.ELx0R**  
(340 x 110 x 33 mm)

up to 255 Families



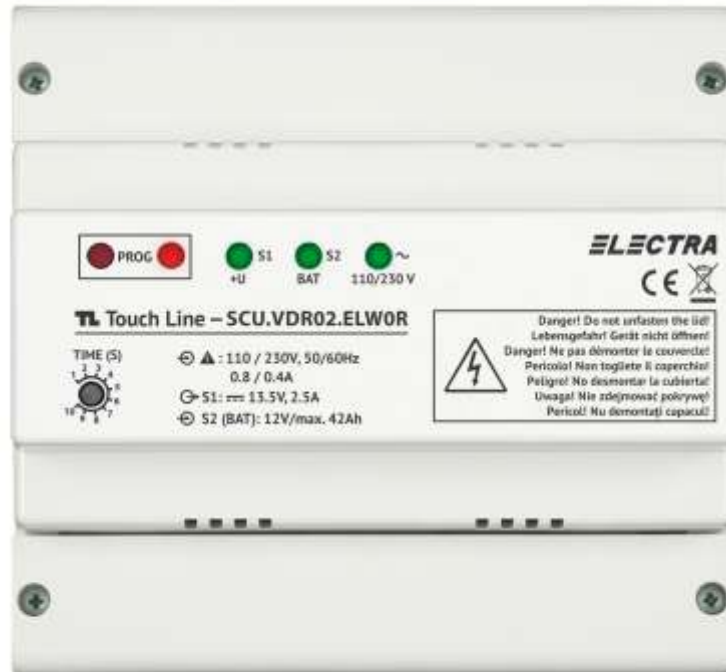
Flush version **VPM.BFR02.ELx0R**  
(374 x 144 x 53 mm)  
Surface version **VPM.BSR02.ELx0R**  
(340 x 110 x 33 mm)



- IP 44-Aluminium case with chemically toughened Glass
- Operating temperature range: -30°C ... +60°C
- Supply voltage: 12 – 14 Vd.c.
- Video camera CMOS, 1/3", 573(H) x 597(V), 800 TVL video 1 Vpp / 75 Ω; PAL
- 4 IR LEDs, 850 nm ; 10 mW, mW/sr/LED
- Orientable video camera ± 25°, humidity proof against condensation
- ON/OFF switchable Red LED, signaling the possibility of video monitoring
- Electrical connections with screw connectors
- Installation cable: UTP/FTP cat5e (AWG24) or UTP/FTP cat 6e (AWG23)

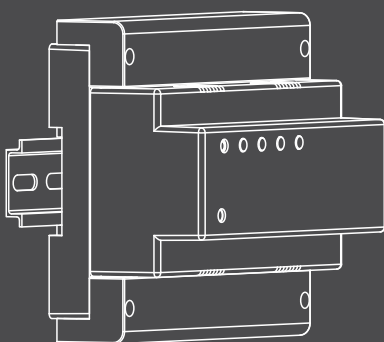
## VIDEO CENTRAL UNIT

FOR LONG DISTANCES  
UP TO 2000 M.



The central supply unit is an essential element for any Touch Line installation. Through its constructive and functional features, the video central unit plays a decisive role in the interconnection, programming and functioning of all the elements of the video door phone system:

- The supply with power of the entire installation
- Input connection from the outdoor panel through **screw connectors**
- Output connection to long-distance installations through **RJ45 connectors** and screw connectors
- **Permanent diagnosis** of the functioning of the system and various light signaling
- **Short-circuit protection** for all the connected products
- Separate connections for **EXIT button** and multiple lock types: **D.C. locks, A.C. locks, electromagnetic locks**
- Setting the timing for the lock opening command between 1 – 10 sec.
- Separate connections for the **auxiliary command (AUX)**: auto gate, garage door, lighting system
- Possibility of connecting a **video recorder (DVR)**
- Possibility of connecting a **battery**
- Entry into the **programming mode** of the parameters of the installation



- Product code: **SCU.VDR02.ELW0R**
- Product size: 130 x 140 x 73 mm
- Non-flammable plastic case
- DIN rail mounting, TH 35 X 15/ 35 x 7.5; DIN 46277-3, EN50022, IEC60715 standard

#### Light signaling:

- Presence of grid tension: 110 – 230 Va.c., 50/60 Hz – green LED
- Presence of stabilized tension: 13.5 V/ 2.5 Ad.c. – green LED
- Presence and signalling of the well-functioning of the battery – green LED
- Entry into programming mode – red LED
- Electrical connections with RJ45 connector or screw connectors
- Installation cable: UTP/FTP cat5e (AWG24) or UTP/FTP cat 6e (AWG23)

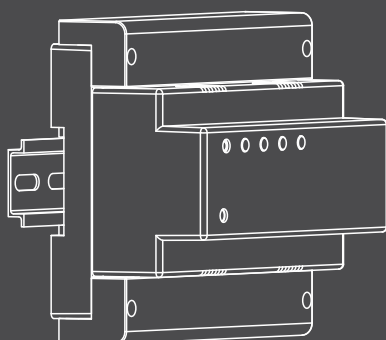
## ADDITIONAL POWER SUPPLY

## MORE POWER FOR LONG VIDEO INSTALLATIONS



The video power supply is used for the supply with additional power in installations in which the consumption is above 2.5 Ad.c., which may occur when the D.C. lock is powered directly from the SCU or when there are multiple 7" video terminals installed.

- The supply with additional power of the video door phone system with a stabilized tension of 13.5 V/ 2.5 Ad.c.
- Possibility of connecting a battery
- Supply voltage diagnosis with light signalling
- The power supply is connected directly at the main or adjoining BUS, "in-line", in which case, one or more of the video connection box is powered.



- Product code: **PSU.VDR02.ELWOR**
- Product size: 130 x 140 x 73 mm
- Non-flammable plastic case
- DIN rail mounting, TH 35 X 15/ 35 x 7.5; DIN 46277-3, EN50022, IEC60715 standard

#### Light signaling:

- Presence of grid tension: 110 – 230 Va.c., 50/60 Hz – green LED
- Presence of stabilized tension: 13.5 V/ 2.5 Ad.c. – green LED
- Presence and signalling of the well-functioning of the battery – green LED
- Electrical connections with RJ45 connector or screw connectors
- Installation cable: UTP/FTP cat5e (AWG24) or UTP/FTP cat 6e (AWG23)

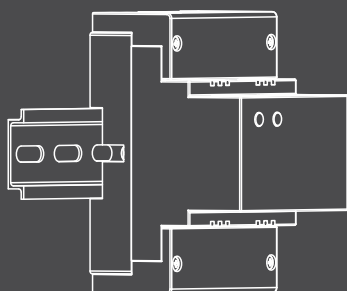
## VIDEO CONNECTION BOX

## SMART CONNECTIONS



**Connects max. 4 video/audio terminals to the main BUS of the video door phone system, through:**

- Direct connections of the terminals through RJ45 connectors and UTP cat5e cable to:
  - The main CAN BUS of the door phone residential system
  - 13.5 Vd.c. additional power supply
- Capacity:
  - 1 CAN input for the main BUS
  - 1 CAN output for the main BUS
  - 4 CAN outputs for 4 video/audio terminals
- Diagnosis with light signaling for:
  - Insufficient supply voltage (LED **+U**) for the installation, case in which an additional power supply must be installed.
  - Defect (short circuit) for the CAN BUS (LED **+U** and LED **C/D**) in the terminal, case in which the connection box isolates the defect area, while the rest of the installation continues to function.



- Product code: **VCB.4DR02.ELW0R**
- Product size: 107 x 71 x 73 mm
- ABS Plastic case
- DIN rail mounting, TH 35 X 15/ 35 x 7.5; DIN 46277-3, EN50022, IEC60715 standard
- Green LED (+U) for signaling the presence of 13.5 Vd.c. stabilized tension
- Green LED (C/D) for working CAN BUS system
- Electrical connections with RJ45 connectors for the CAN BUS and screw connectors for the additional power supply
- Installation cable: UTP/FTP cat5e (AWG24) or UTP/FTP cat 6e (AWG23)



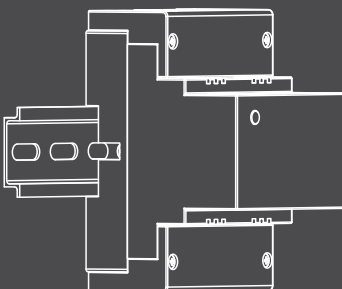
## VIDEO CAMERA SELECTION BOX

## ADDITIONAL VIDEO CAMERAS



The video camera selection box connects max. 3 external video cameras to the central supply unit. Through a video camera selection box, a digital video recorder (DVR) can be connected to the video door phone system. The images from the external cameras can be viewed on the video terminal and/or can be continuously recorded on the DVR.

- Direct connections for the external video camera through RJ45 connectors and cat5e cable to:
  - 3 video input connections for 3 external video cameras
  - 3 video output connections for a DVR
  - 1 video output connection to the central supply unit
  - 13.5 Vd.c. additional power supply
- LED indicator of supply voltage presence.



- Product code: **VSC.3VN02.ELW0R**
- Product size: 107 x 71 x 73 mm
- ABS Plastic case
- DIN rail mounting, TH 35 X 15/ 35 x 7.5; DIN 46277-3, EN50022, IEC60715 standard
- Green LED (+U) for signaling the presence of 13.5 Vd.c. stabilized tension
- Electrical connections with screw connectors
- Installation cable: UTP/FTP cat5e (AWG24) or UTP/FTP cat 6e (AWG23)

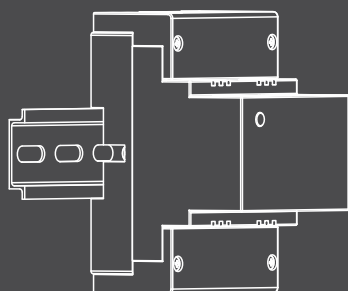
## VIDEO PANEL SELECTION BOX

## MULTIPLE PANELS IN PARALLEL



The video panels selection box connects max. 4 outdoor video panels in parallel. The output of the video panels selection box is connected to the video CAN BUS of the video door phone system. Images from every outdoor panel can be viewed during the call or monitoring.

- Connections for the VIDEO PANEL SELECTION BOX:
  - 4 video CAN BUS - RJ45 input connections from the outdoor panel through the central supply unit
  - 1 video CAN BUS - RJ45 output connection to the Video CAN BUS of the installation
  - 13.5 Vd.c. additional power supply with screw connectors
- LED indicator of supply voltage presence.



- Product code: **VSP.4VR02.ELW0R**
- Product size: 107 x 71 x 73 mm
- ABS Plastic case
- DIN rail mounting, TH 35 X 15/ 35 x 7.5; DIN 46277-3, EN50022, IEC60715 standard
- Green LED (+U) for signaling the presence of 13.5 Vd.c. stabilized tension
- Electrical connections with RJ45 connectors
- Installation cable: UTP/FTP cat5e (AWG24) or UTP/FTP cat 6e (AWG23)

## CAN SELECTION BOX

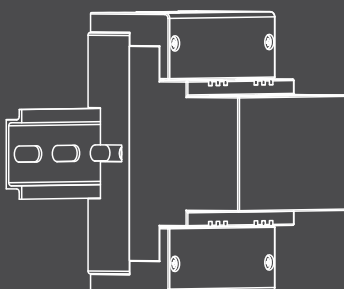
## SMART CONNECTIONS



The CAN selection box is used to separate large video door phone installations (2000 m distance from the panel to the farthest terminal) into smaller sections. Such is the case of residential centers with multiple apartment buildings that function with the same video door phone installation.

The CAN selection box reduces the parasitic capacity and inductance of the large video door phone system and improves the electrical signals on the CAN BUS.

- Connections for the CAN selection box:
  - 1 RJ45 input connection for the video CAN BUS to the CAN BUS from the downstream of the installation
  - 1 RJ45 input connection for the video CAN BUS to the video outdoor panel for which the installation must be separated from the main CAN BUS
  - 1 RJ45 output connection for the video CAN BUS to the CAN BUS from the upstream of the installation
  - 1 RJ45 output connection for the video CAN BUS to the apartments (families) connected to the video outdoor panel for which the installation must be separated from the main CAN BUS
  - 13.5 Vd.c. additional power supply with screw connectors
- Diagnosis with light signaling for:
  - Insufficient supply voltage (LED +U turned off) for the CAN selection box and for the entire upstream section of the video door phone system.



- Product code: **CSB.2DR02.ELW0R**
- Product size: 107 x 71 x 73 mm
- ABS Plastic case
- DIN rail mounting, TH 35 X 15/ 35 x 7.5; DIN 46277-3, EN50022, IEC60715 standard

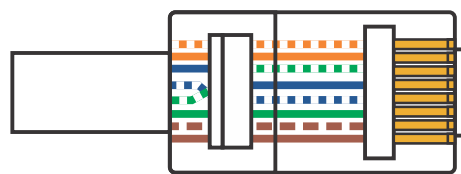
- Electrical connections with RJ45 for CAN BUS connectors and screw connectors for the additional power supply
- Installation cable: UTP/FTP cat5e (AWG24) or UTP/FTP cat 6e (AWG23)





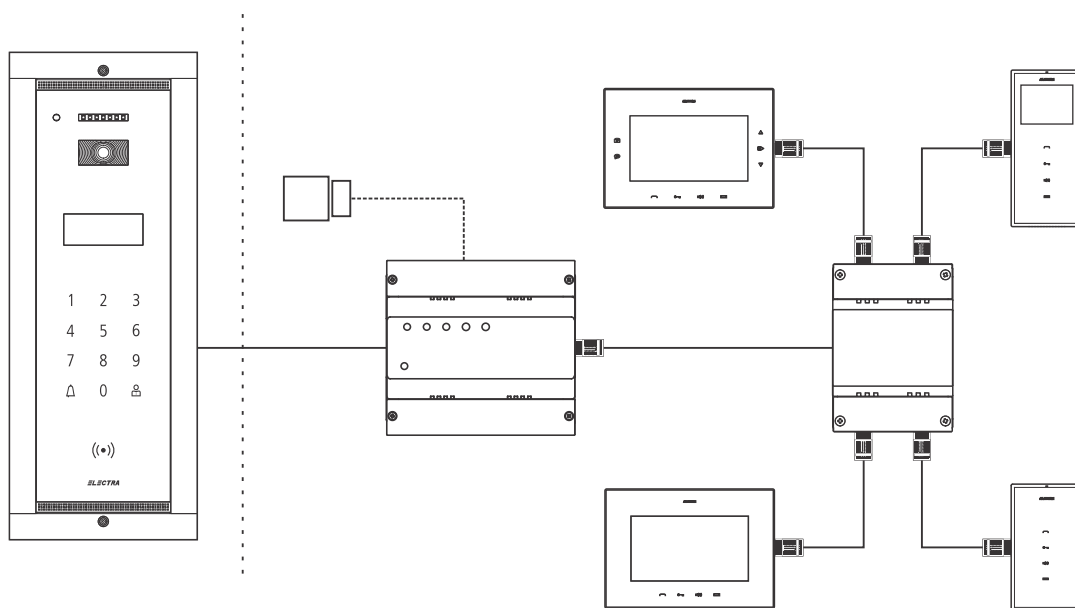
## MULTIPLE COMBINATIONS

### ELEMENTS OF THE INSTALATION



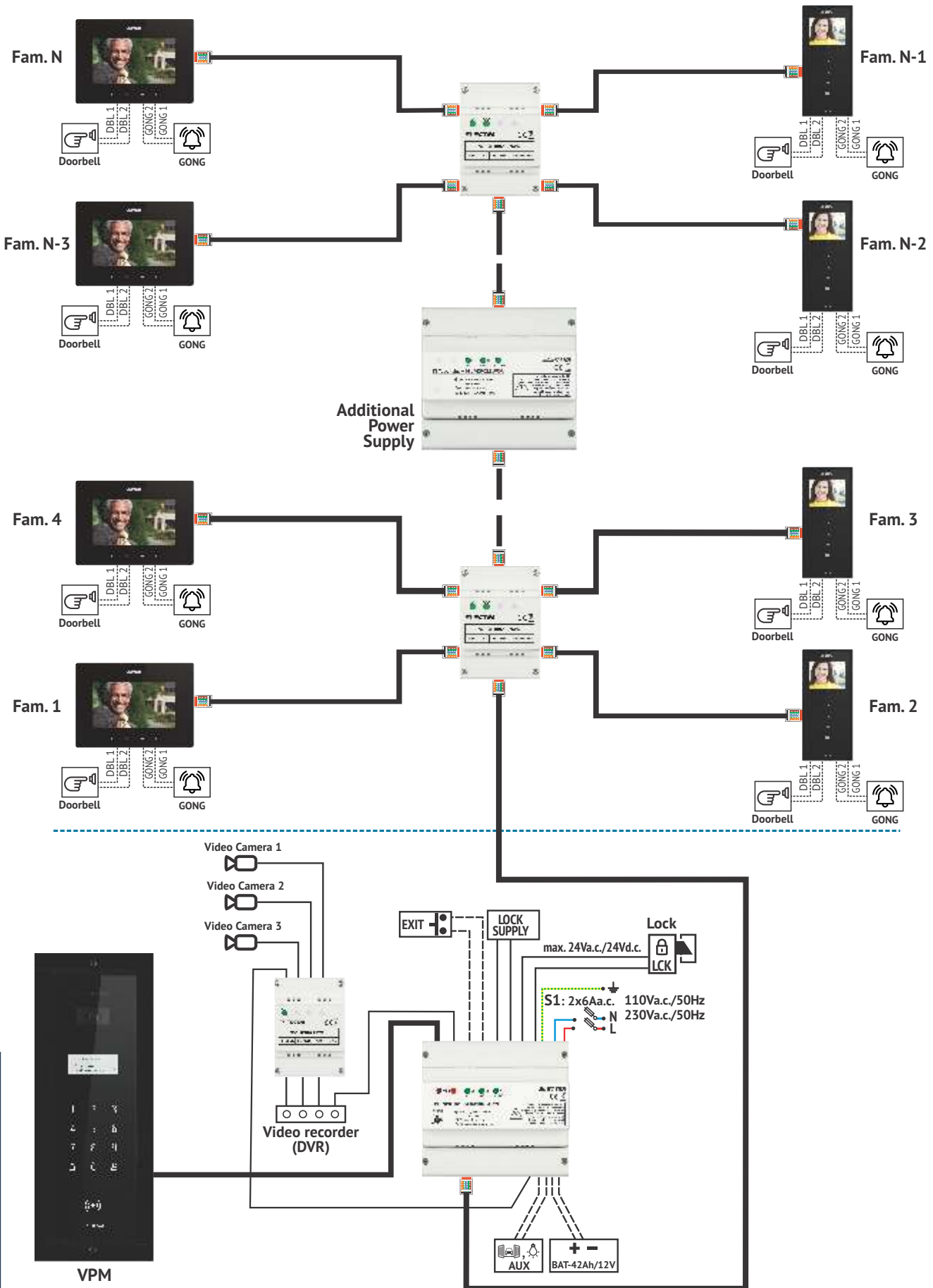
RJ45-Connector

### EXAMPLE DIAGRAMS

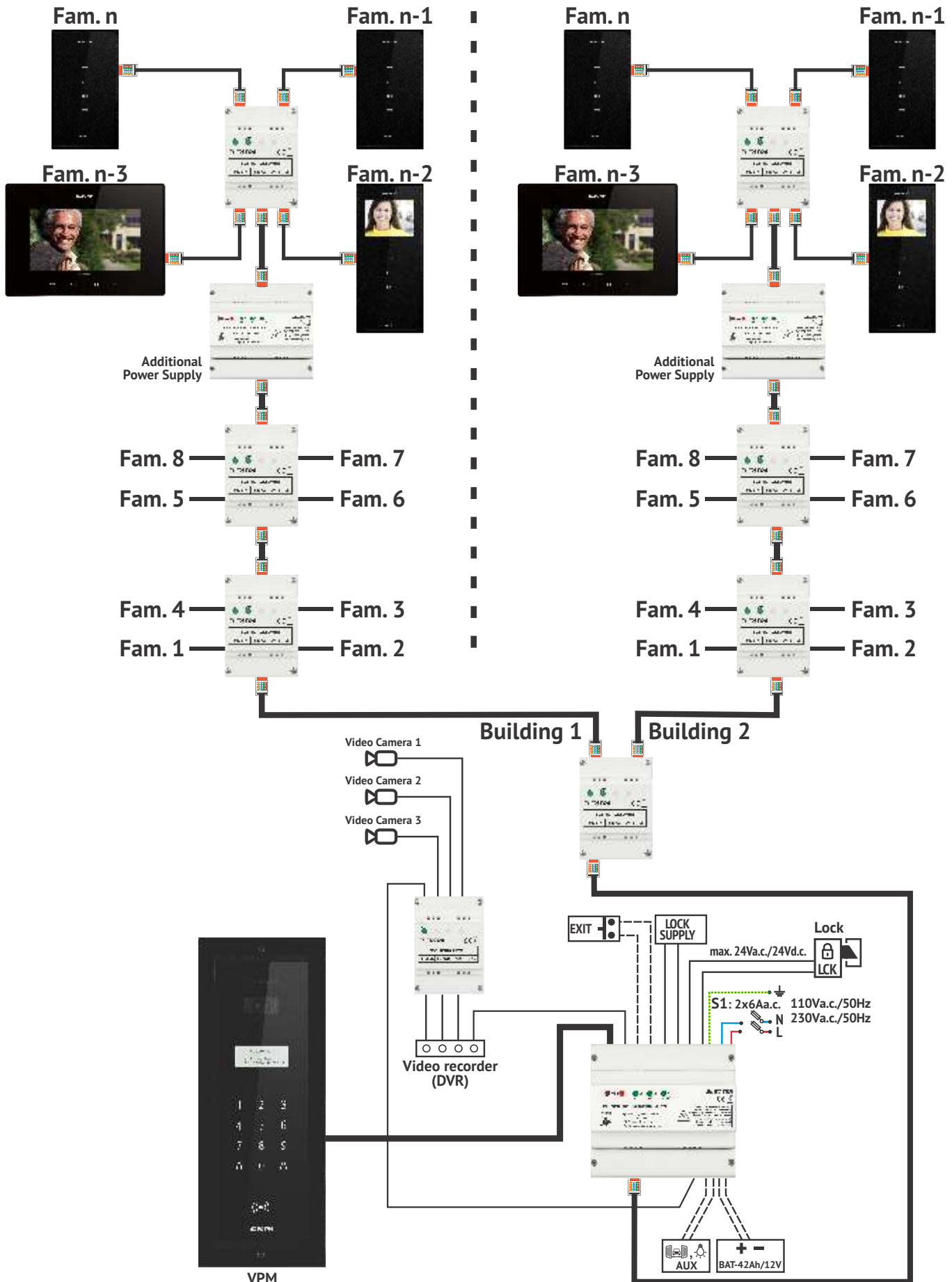


From the installation point of view, the use of UTP/FTP cat 5e/cat 6e cable is mandatory. RJ45 connectors are used for the main connections. The operating distance of our **RESIDENTIAL** systems is up to 2000m between the outdoor panel and the farthest terminal in the installation.

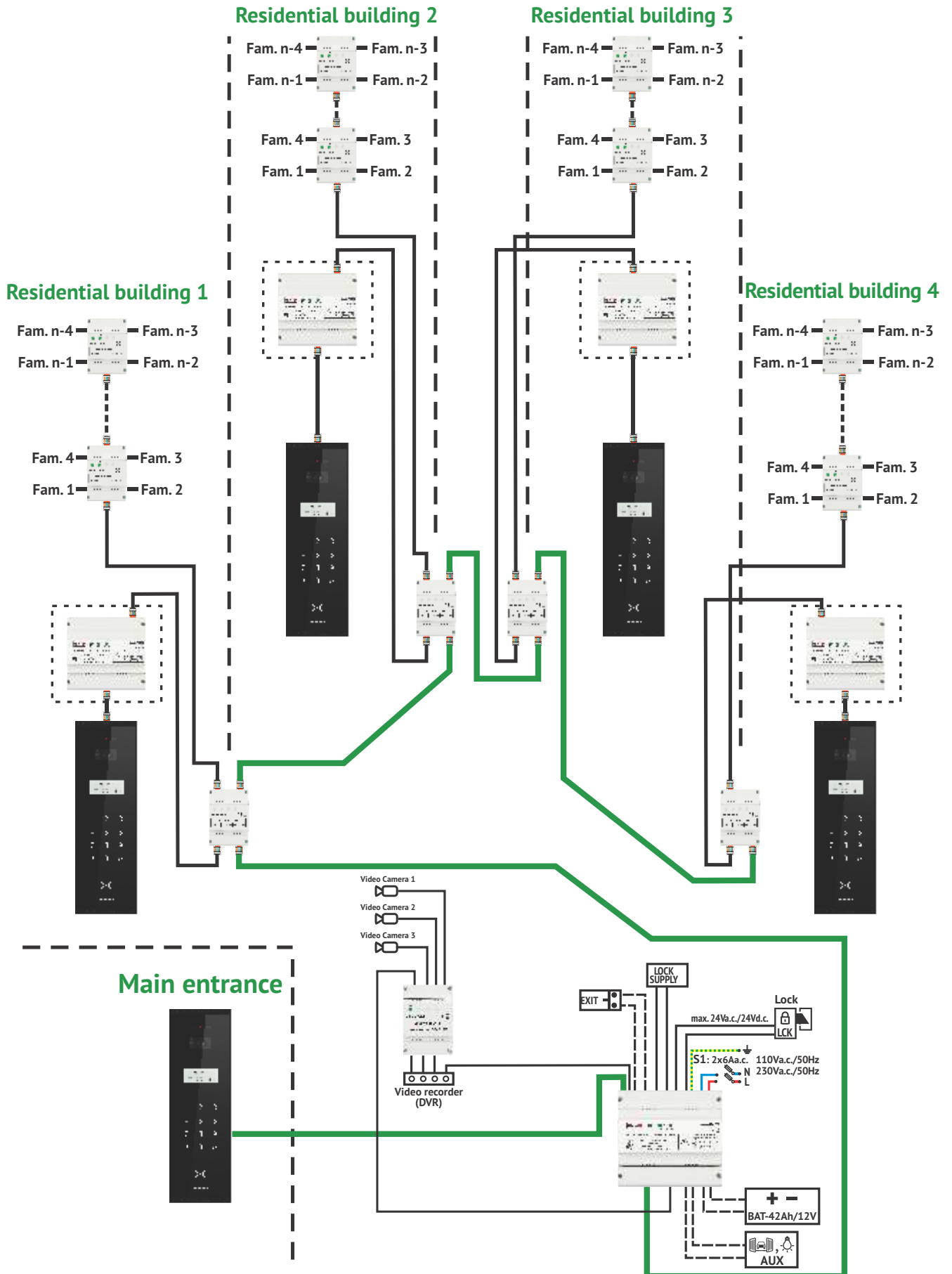




- Electrical connections with RJ45 and screw connectors
- Installation cable: UTP/FTP cat5e (AWG24) or UTP/FTP cat 6e (AWG23)



- Electrical connections with RJ45 and screw connectors
- Installation cable: UTP/FTP cat5e (AWG24) or UTP/FTP cat 6e (AWG23)



- Electrical connections with RJ45 and screw connectors
- Installation cable: UTP/FTP cat5e (AWG24) or UTP/FTP cat 6e (AWG23)



A series of horizontal dashed lines for writing.





*ELECTRA is a trademark of ELECTRA Group - No. 008958332 EUIPO - Alicante, Spain*

*BELLCOME is a trademark of ELECTRA Group - No. 013502646 EUIPO - Alicante, Spain*

*BELLCOME is a trademark of ELECTRA Group - No. 1732510 MPI - Ciudad de Mexico, Mexico*

*BELLCOME/ELECTRA products are registered as Industrial Models at EUIPO - Alicante, Spain*

The products are  
CE certified.



License by  
R 709

ICPE

The products contain UL-compliant  
printed circuit boards.



Certificate no. E307311

The products are manufactured under  
Quality and Environment Management System

ISO 9001:2015

ISO 14001:2015

Certificates no. 73 100 4856, 73 104 4856  
by TÜV HESSEN

**ELECTRA Building Communications GmbH**

Bischoffgasse 5/3-4, 1120 Wien

ÖSTERREICH/ AUSTRIA

+43 1 810 20 99

sales@electra-automation.at

www.electra-automation.at

support@bellcome.com

www.bellcome.com

**ELECTRA s.r.l**

Bd. Chimiei nr.8, Iasi - 700291

ROMANIA

sales@electra.ro

www.electra.ro

www.electra-grup.ro