



For product inquiries, please contact:
Mr. Steven Y. Zhang
ESSC GROUP INC.
770 River Road, Unit#221
Edgewater, New Jersey 07020 USA
Email:sales@esscgroup.com
Phone: 1 330 317 3566
Business Hours: 9:30 AM - 6:30 PM EST Mon - Fri

ESSC GROUP

www.esscgroup.com



www.esscgroup.com

Catalogue

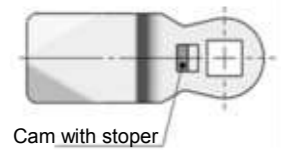
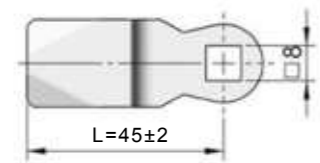
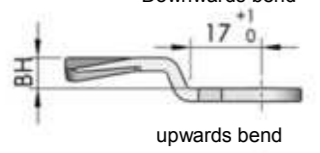
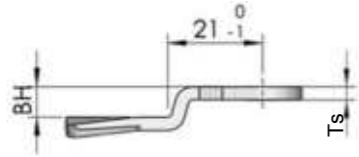
Catalogue

INDUSTRIAL/COMMERCIAL CABINET HARDWARE

Locks, Hinges, Handles
Latches & Accessories

ESSC GROUP

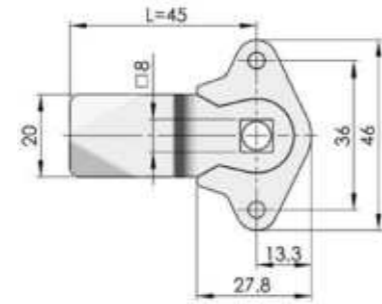
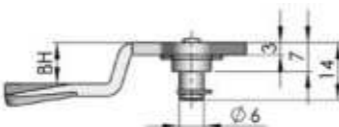
S1B Series



Remarks: Default thickness 3mm, please specify on request of other material, center distance and thickness. Code prefixed with D stands for cam with stopper.

Cam code	BH
	Ts=3
S1B45N02	-2
S1B4500	0
S1B4502	2
S1B4504	4
S1B4506	6
S1B4507	7
S1B4508	8
S1B4510	10
S1B4512	12
S1B4514	14
S1B4516	16
S1B4518	18
S1B4520	20

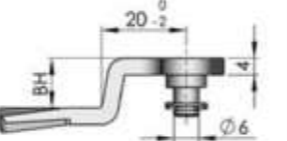
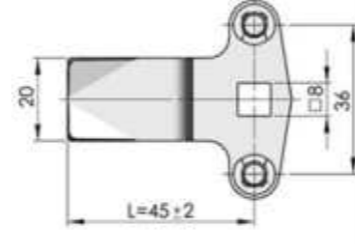
AS3B Series



Remarks: Default thickness 3mm, please specify on request of other material, center distance and thickness. Code prefixed with D stands for cam with stopper.

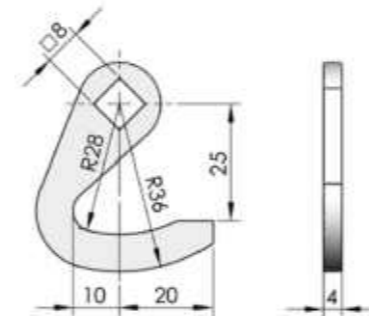
Cam code	BH
AS3B45N02	-2
AS3B4500	0
AS3B4502	2
AS3B4504	4
AS3B4506	6
AS3B4507	7
AS3B4508	8
AS3B4510	10
AS3B4512	12
AS3B4514	14
AS3B4516	16
AS3B4518	18
AS3B4520	20

S3B Series



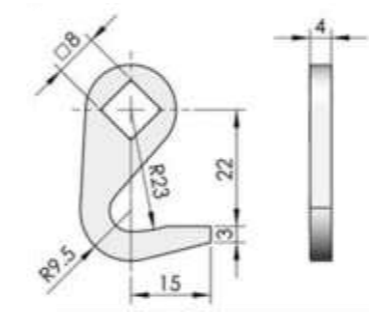
Cam code	BH
S3B4500	0
S3B4504	4
S3B4508	8
S3B4510	10
S3B4512	12
S3B4514	14
S3B4516	16
S3B4520	20
S3B4522	22

S1B2836H



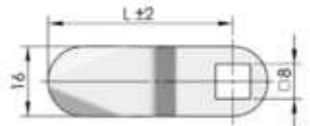
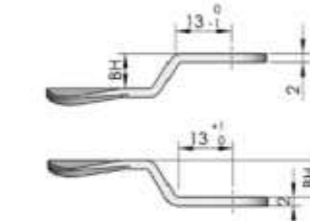
Cam code	Rotation Radius
S1B2836H	28

S1B2328H



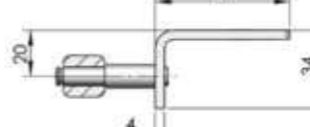
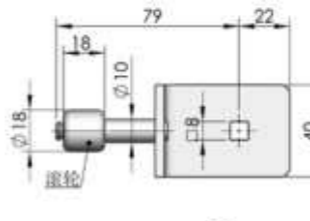
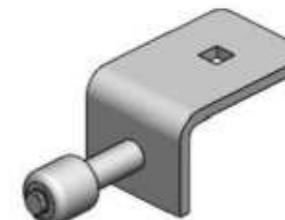
Cam code	Rotation Radius
S1B2328H	23

S1BK Series



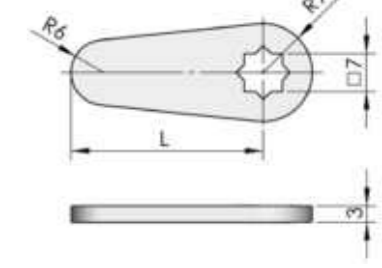
Cam code	BH	L
S1B33N4K	-4	33

S1B1179D



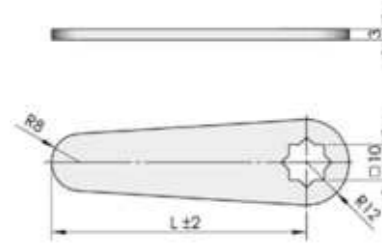
Cam code	BH	Material
S1B1179D	11	不锈钢

S1A Series



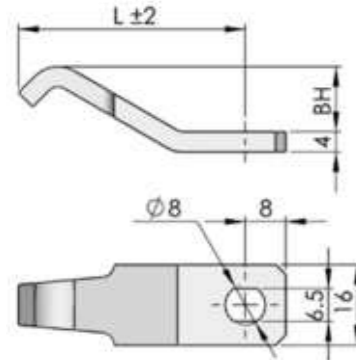
Cam code	BH	L
S1A3500	0	35
S1A3900	0	39
S1A7200	0	72

S1C Series



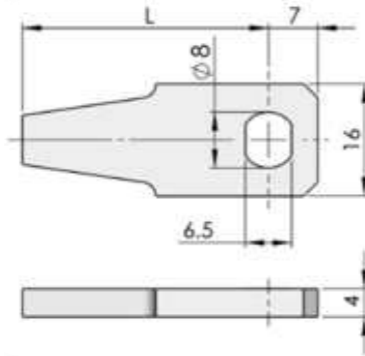
Cam code	BH	L
S1C4000	0	40
S1C6300	0	63
S1C7200	0	72

S1K4513



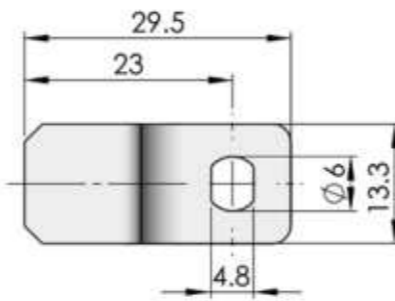
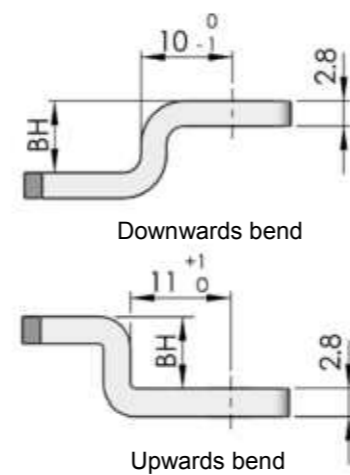
Cam code	BH	L
S1K45N13	-13	45

S1K3500



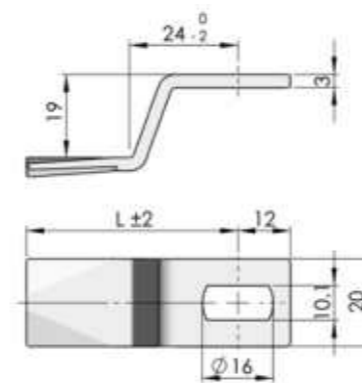
Cam code	BH	L
S1K3500	0	35

S1G Series



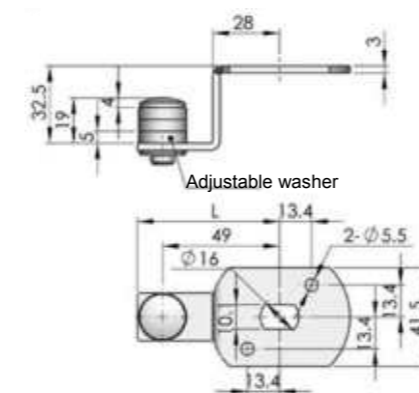
Cam code		BH
Downwards bend	Upwards bend	
S1G2300		0
S1G2304	S1G23N04	4
S1G2308	S1G23N08	8
S1G2312	S1G23N12	12
S1G2316	S1G23N16	16
S1G2320	S1G23N20	20

S1H Series



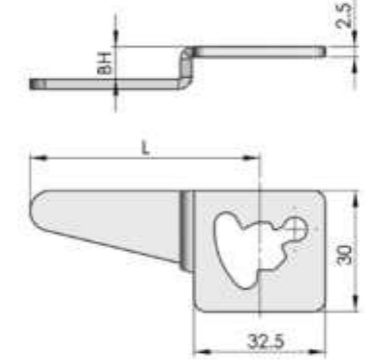
Cam code	BH	L
S1H4819	19	48

S3H6028



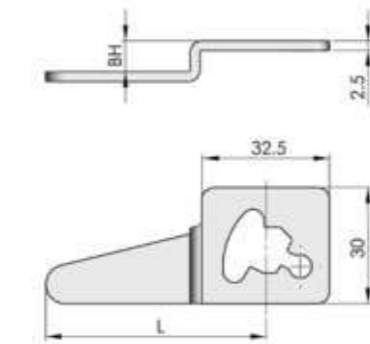
Cam code	BH	L
S3H6028	13.5/18.5/23.5/28.5	60

S1D Series(Left)



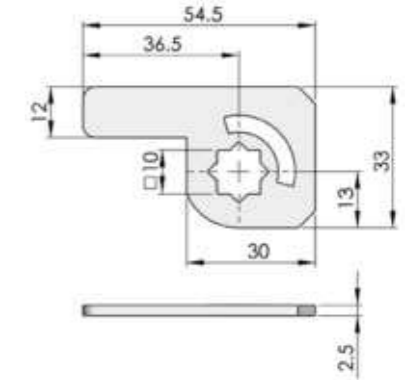
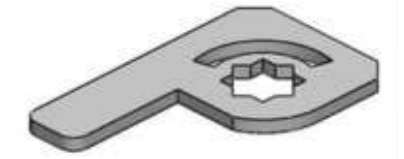
Cam code	BH	L
S1D5600Z	0	56
S1D5608Z	08	56
S1D5612Z	12	56
S1D5618Z	18	56
S1D5628Z	28	56

S1D Series(Right)



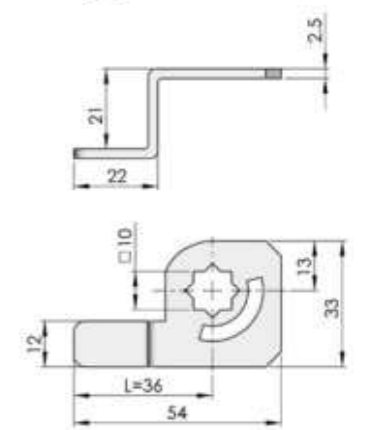
Cam code	BH	L
S1D5600Y	0	56
S1D5608Y	08	56
S1D5612Y	12	56
S1D5618Y	18	56
S1D5628Y	28	56

S1C3700D



Cam code	BH	L
S1C3700D	0	36.5

S1C3621D



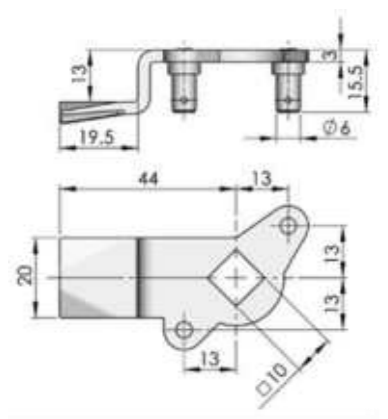
Cam code	BH	L
S1C3621D	21	36

Accessories	S2C2100	S2B1800	S3B6500	S3B6800A	S3C Series	S3C7200	Accessories																																										
Handle lock							Handle lock																																										
Cylinder lock							Cylinder lock																																										
Electronic lock							Electronic lock																																										
Swing handle							Swing handle																																										
Rod control lock	<table border="1"> <thead> <tr> <th>Cam code</th> <th>BH</th> <th>L</th> </tr> </thead> <tbody> <tr> <td>S2C2100</td> <td></td> <td></td> </tr> </tbody> </table>	Cam code	BH	L	S2C2100			<table border="1"> <thead> <tr> <th>Cam code</th> <th>BH</th> <th>L</th> </tr> </thead> <tbody> <tr> <td>S2B1800</td> <td></td> <td></td> </tr> </tbody> </table>	Cam code	BH	L	S2B1800			<table border="1"> <thead> <tr> <th>Cam code</th> <th>BH</th> <th>L</th> </tr> </thead> <tbody> <tr> <td>S3B6500</td> <td></td> <td></td> </tr> </tbody> </table>	Cam code	BH	L	S3B6500			<table border="1"> <thead> <tr> <th>Cam code</th> <th>BH</th> <th>L</th> </tr> </thead> <tbody> <tr> <td>S3B6800A</td> <td>0</td> <td>68</td> </tr> </tbody> </table>	Cam code	BH	L	S3B6800A	0	68	<table border="1"> <thead> <tr> <th>Cam code</th> <th>BH</th> <th>L</th> </tr> </thead> <tbody> <tr> <td>S3C8600</td> <td>0</td> <td>86</td> </tr> <tr> <td>S3C6527</td> <td>27</td> <td>65</td> </tr> <tr> <td>S3C4851</td> <td>51</td> <td>48</td> </tr> </tbody> </table>	Cam code	BH	L	S3C8600	0	86	S3C6527	27	65	S3C4851	51	48	<table border="1"> <thead> <tr> <th>Cam code</th> <th>BH</th> <th>L</th> </tr> </thead> <tbody> <tr> <td>S3C7200</td> <td>0</td> <td>72</td> </tr> </tbody> </table>	Cam code	BH	L	S3C7200	0	72	Rod control lock
Cam code	BH	L																																															
S2C2100																																																	
Cam code	BH	L																																															
S2B1800																																																	
Cam code	BH	L																																															
S3B6500																																																	
Cam code	BH	L																																															
S3B6800A	0	68																																															
Cam code	BH	L																																															
S3C8600	0	86																																															
S3C6527	27	65																																															
S3C4851	51	48																																															
Cam code	BH	L																																															
S3C7200	0	72																																															
Panel lock	S2C2400	S2C Series	S3B6300A	S3B6000A	S3C Series	S3C6200	Panel lock																																										
Toggle and hook							Toggle and hook																																										
Handles							Handles																																										
Door stop							Door stop																																										
Hinge							Hinge																																										
Seal gasket	<table border="1"> <thead> <tr> <th>Cam code</th> <th>BH</th> <th>L</th> </tr> </thead> <tbody> <tr> <td>S2C2400</td> <td></td> <td></td> </tr> </tbody> </table>	Cam code	BH	L	S2C2400			<table border="1"> <thead> <tr> <th>Cam code</th> <th>L</th> </tr> </thead> <tbody> <tr> <td>S2C2000</td> <td>40</td> </tr> <tr> <td>S2C2500</td> <td>50</td> </tr> </tbody> </table>	Cam code	L	S2C2000	40	S2C2500	50	<table border="1"> <thead> <tr> <th>Cam code</th> <th>BH</th> <th>L</th> </tr> </thead> <tbody> <tr> <td>S3B6300A</td> <td>0</td> <td>63</td> </tr> </tbody> </table>	Cam code	BH	L	S3B6300A	0	63	<table border="1"> <thead> <tr> <th>Cam code</th> <th>BH</th> <th>L</th> </tr> </thead> <tbody> <tr> <td>S3B6000A</td> <td>0</td> <td>60</td> </tr> </tbody> </table>	Cam code	BH	L	S3B6000A	0	60	<table border="1"> <thead> <tr> <th>Cam code</th> <th>BH</th> <th>L</th> </tr> </thead> <tbody> <tr> <td>S3C5000</td> <td>0</td> <td>50</td> </tr> <tr> <td>S3C7000</td> <td>0</td> <td>70</td> </tr> <tr> <td>S3C8800</td> <td>0</td> <td>88</td> </tr> </tbody> </table>	Cam code	BH	L	S3C5000	0	50	S3C7000	0	70	S3C8800	0	88	<table border="1"> <thead> <tr> <th>Cam code</th> <th>L</th> </tr> </thead> <tbody> <tr> <td>S3C6200</td> <td>62</td> </tr> </tbody> </table>	Cam code	L	S3C6200	62	Seal gasket		
Cam code	BH	L																																															
S2C2400																																																	
Cam code	L																																																
S2C2000	40																																																
S2C2500	50																																																
Cam code	BH	L																																															
S3B6300A	0	63																																															
Cam code	BH	L																																															
S3B6000A	0	60																																															
Cam code	BH	L																																															
S3C5000	0	50																																															
S3C7000	0	70																																															
S3C8800	0	88																																															
Cam code	L																																																
S3C6200	62																																																

S3C4413 Series

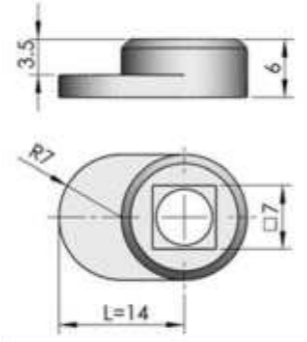
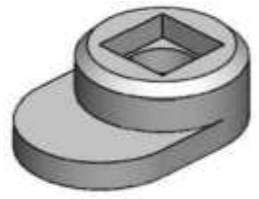


S3C4413Z (LH cam)



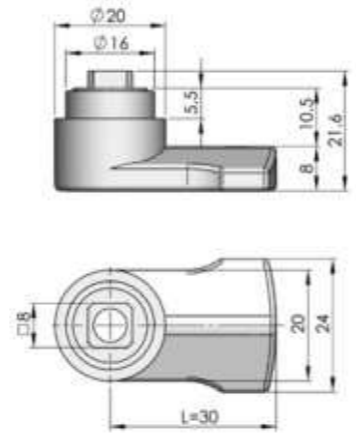
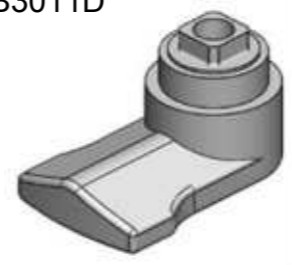
Cam code	BH	L
S3C4413Y	13	44
S3C4413Z	13	44

S1A1403X



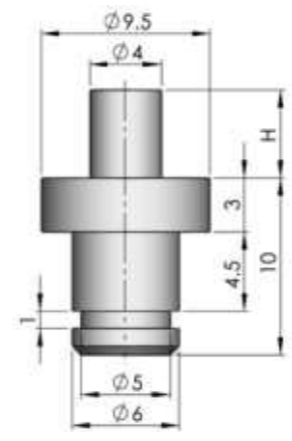
Cam code
S1A1403X

S1B3011D



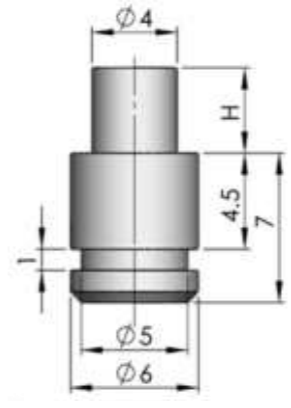
Cam code	L
S1B3011D	30

PN0011 PN0012



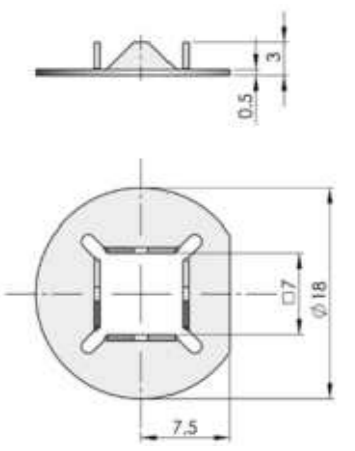
Part code	H	Remarks
PN0011	H=4	Suitable cam thickness 3mm
PN0012	H=5	Suitable cam thickness 4mm

PN0015 PN0016



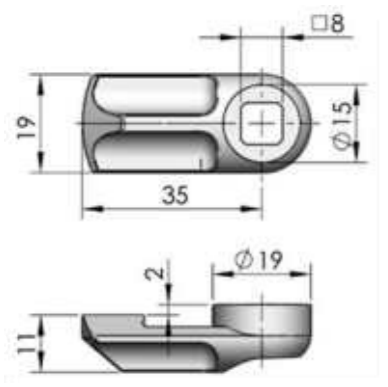
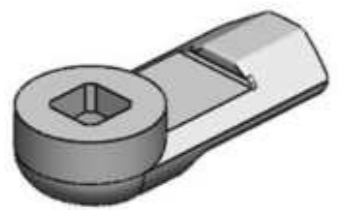
Part code	H	Remarks
PN0015	H=4	Suitable cam thickness 3mm
PN0016	H=5	Suitable cam thickness 4mm

A1001



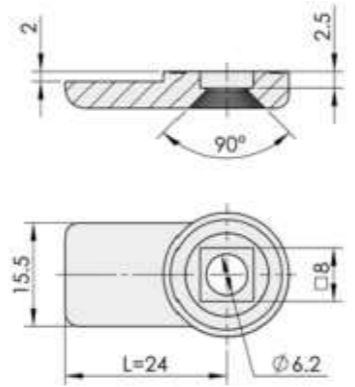
Change cam cut out 8mm to 7mm

S1B3502A



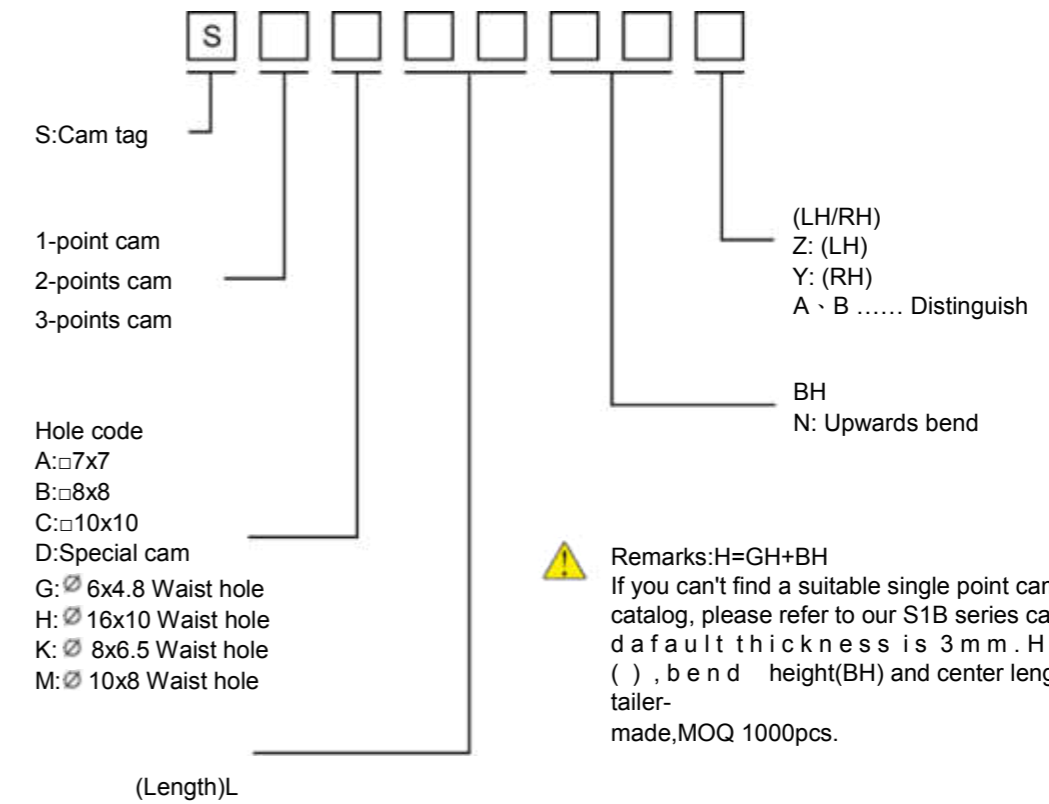
Cam code	BH	L
S1B3502A	0	35

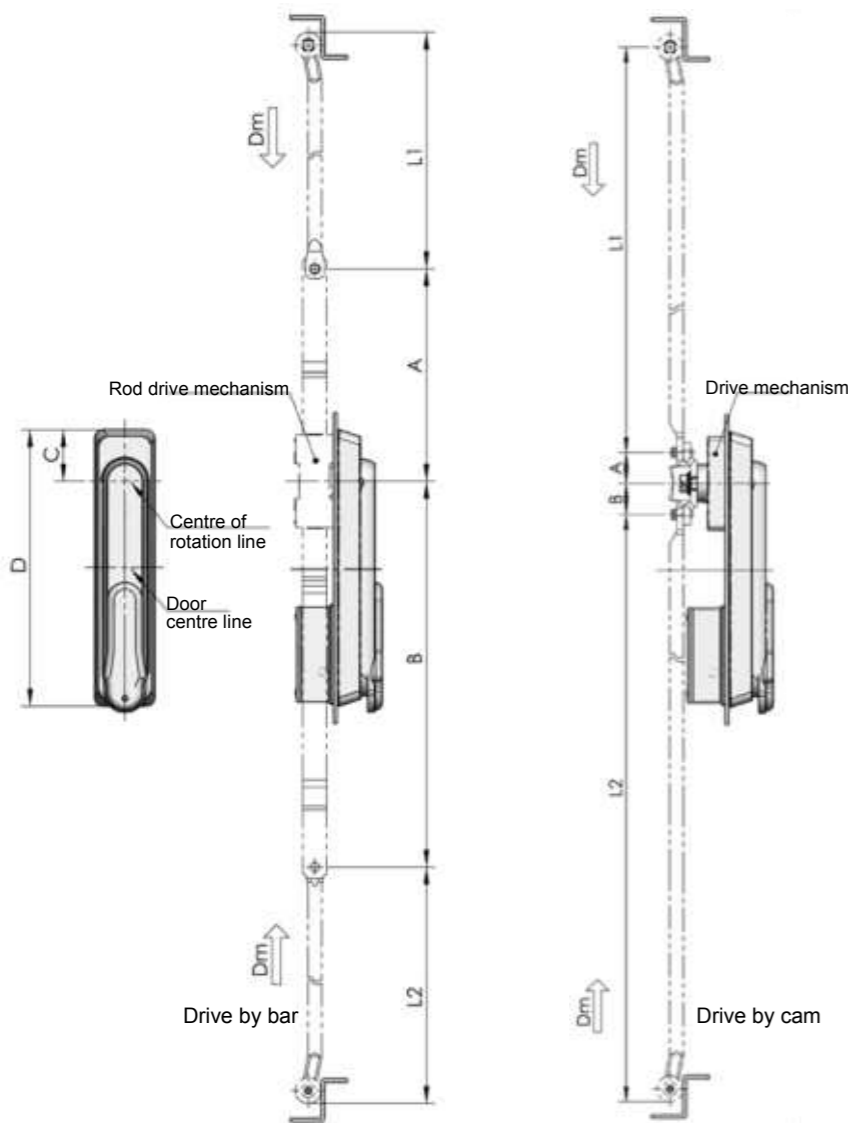
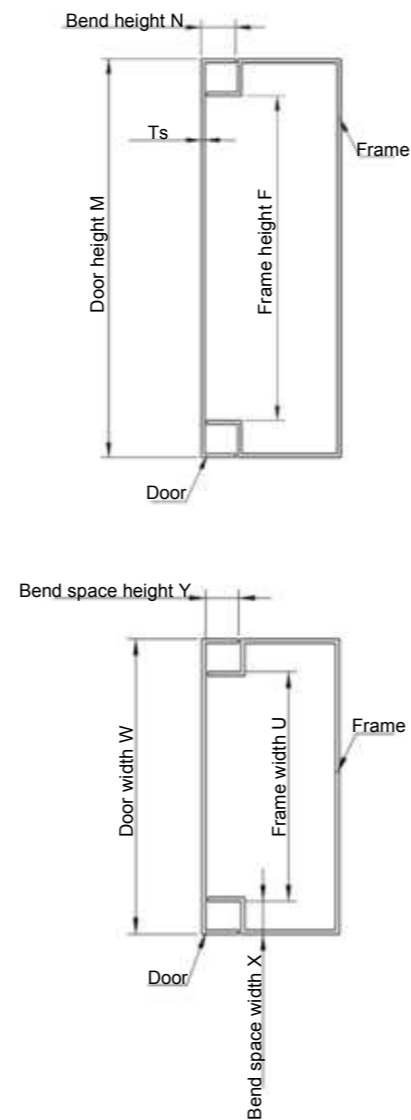
S1B2402X



Cam code	BH	L
S1B2402X	2	24

Cam code specification



Example of rod-latch application

Cabinet structural sketch

Calculate the length of the rod

Calculation method of coincident length of door center and center line of rotation part

$$L1 = F/2 - A + (Dm - 2)$$

$$L2 = F/2 - B + (Dm - 2)$$

Calculation method of coincident length of door center and center line of lock

$$L1 = F/2 - [A + (D/2 - C)] + (Dm - 2)$$

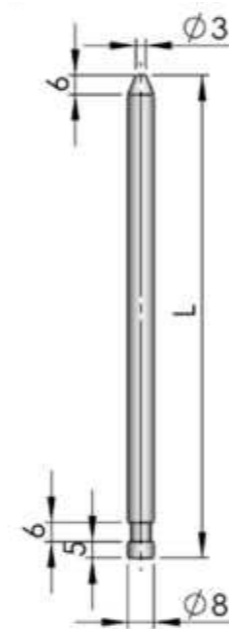
$$L2 = F/2 - [B - (D/2 - C)] + (Dm - 2)$$

Remark: the effective length of connecting piece should be deducted if a connecting piece is needed for fitting. This calculation method is applicable for those rods with seals fitted inside. Be aware of the actual installation conditions when using the above methods.

Dm: the code of driving distance

F: door frame height

LG001-1

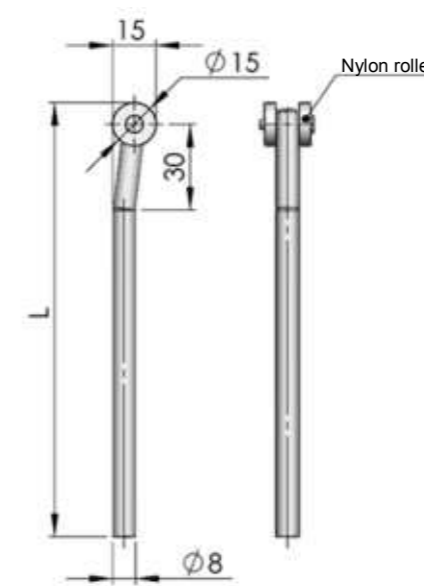
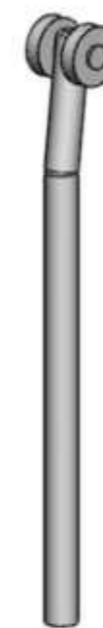


Zinc-plated steel, cone-round rod

ERP

LG001F3D000003

LG001-2

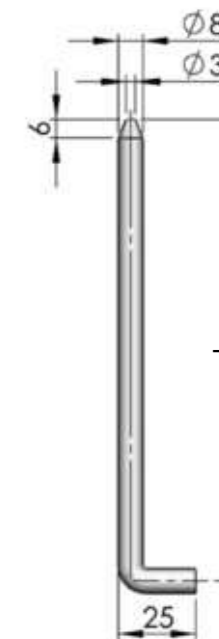
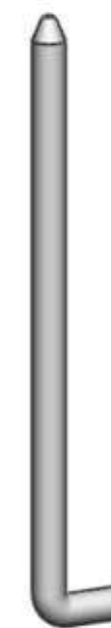


Zinc-plated steel, match with PA roller round rod

ERP

LG001F3D000004

LG001-3



Zinc-plated steel, bend, round rod

ERP

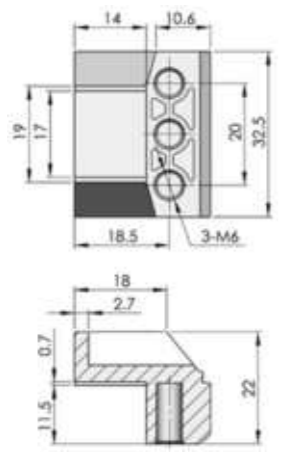
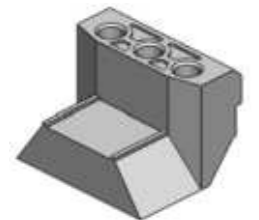
LG001F3D000005

Accessories	Handle lock	Cylinder lock	Electronic lock	Swing handle	Rod control lock	Panel lock	Toggle and hook	Handles	Door stop	Hinge	Seal gasket										
LG002-1																					
											Zinc-plated, flat teeth rod, PA roller. ZDC joint, outside the gasket.										
											ERP LG002F3D000001										
LG002-2																					
											Remarks:fix flat bar with screw, rod length is adjustable, 5mm is adjusted by changing one set hole										
											Zinc-plated steel, adjustable round rod,PA roller, ZDC joint, outside the gasket.										
											ERP LG002F3D000002										
LG003																					
											Remarks:fix flat bar with screw, rod length is adjustable, 5mm is adjusted by changing one set hole										
											Zinc-plated steel, adjustable round rod										
											ERP LG003F3D000001										
LG004																					
											Remarks:fix flat bar with screw, rod length is adjustable, 5mm is adjusted by changing one set hole										
											Zinc-plated steel, adjustable flat rod, outside the gasket.										
											ERP LG004F3D000001										
LG005																					
											Remarks:fix flat bar with screw, rod length is adjustable, 5mm is adjusted by changing one set hole										
											Zinc-plated steel. adjustable flat rod, outside the gasket, it is fit for lock MS838.										
											ERP LG005F3D000001										
LG006																					
											Remarks:fix flat bar with screw, rod length is adjustable, 5mm is adjusted by changing one set hole										
											Zinc-plated steel. adjustable flat rod										
											<table border="1"> <thead> <tr> <th>ERP</th> <th>A</th> </tr> </thead> <tbody> <tr> <td>LG006F3D000001</td> <td>18.5</td> </tr> <tr> <td>LG006F3D000002</td> <td>22.5</td> </tr> <tr> <td>LG006F3D000003</td> <td>27.5</td> </tr> <tr> <td>LG006F3D000004</td> <td>35</td> </tr> </tbody> </table>	ERP	A	LG006F3D000001	18.5	LG006F3D000002	22.5	LG006F3D000003	27.5	LG006F3D000004	35
ERP	A																				
LG006F3D000001	18.5																				
LG006F3D000002	22.5																				
LG006F3D000003	27.5																				
LG006F3D000004	35																				
											ERP LG006F3D000001										

Accessories	Handle lock	Cylinder lock	Electronic lock	Swing handle	Rod control lock	Panel lock	Toggle and hook	Handles	Door stop	Hinge	Seal gasket	Accessories
RG001-1												
	Black PA guide, fix with M6*16~20 weld screw											
	ERP	Material										
	1110000001	Black PA										
RG001-2												
	Black PA guide, fix with M6*16~20 weld screw, connect strap can be removed											
	ERP	Material										
	1110000002	Black PA										
RG001-3												
	Black PA guide, zinc-plated nut, fix with M6*16~20 weld screw											
	ERP	Material										
	1110000003	Black PA										
RG001-8												
	Black PA guide, fix with M6*16~20 weld screw											
	ERP	Material										
	1110000008	Black PA										
RG001-9												
	PC guide											
	ERP	Material										
	1110010009	PC(White)										
RG002												
	Black PA guide, nut inside											
	ERP	A	B	Welding screw specification								
	1110020001	32	24	M6x16								
	1110020002	38	30	M6x20								
	1110020003	42	34	M6x20								
RG001-4												
	Black PA guide, fix with M6*12 weld screw											
	ERP	Material										
	1110000004	Black PA										
RG001-5												
	Black PA guide, fix with M6*16~20 weld screw											
	ERP	Material										
	1110010001	Black PA										
RG001-6												
	Black PA guide, fix with M6*16~20 weld screw											
	ERP	Material										
	1110000006	Black PA										
RG002-A												
	Black PA guide, nut inside, match with flat rod and round rod											
	ERP	A	B	Welding screw specification								
	1110021102	32	24	M6x16								
	1110021103	38	30	M6x20								
RG003-1												
	Black ZDC catcher, match with the rod white rivet											
	ERP	Material										
	1110030001	ZDC										
RG003-2												
	Black ZDC clip catcher, PA pin, fit with 2MM door											
	ERP	Material										
	1110030002	ZDC										

Accessories	Handle lock	Cylinder lock	Electronic lock	Swing handle	Rod control lock	Panel lock	Toggle and hook	Handles	Door stop	Hinge	Seal gasket	Accessories
RG003-3					Zinc plated ZDC catcher, Zinc plated steel pin, fixed with M6 screw.	ERP 1110030003	Material ZDC					
RG003-4					Zinc plated ZDC catcher, stainless steel pin, fixed with M6 screw.	ERP 1110030004	Material ZDC					
RG003-5					Zinc plated ZDC catcher, fixed with M6 countersunk head screw, match with the rod with roller.	ERP 1110030005	Material ZDC					
RG003-9					Zinc plated ZDC cassette catcher, fixed with M6 countersunk head screw.	ERP 1110030009	Material ZDC					
RG003-10					Zinc plated ZDC cassette catcher, fixed with M6 countersunk head screw.	ERP 1110030010	Material ZDC					
RG003-11					Zinc plated ZDC catcher, fixed with M6 countersunk head screw, match with locking pin flat rod.	ERP 1110030012	Material ZDC					
RG003-6					Zinc plated ZDC catcher, fixed with M6 countersunk head screw, match with locking pin flat rod.	ERP 1110030006	Material ZDC					
RG003-7					Zinc plated ZDC catcher, fixed with M6 countersunk head screw.	ERP 1110030007	Material ZDC					
RG003-8					Zinc plated ZDC cassette catcher, fixed with M6 countersunk head screw.	ERP 1110030008	Material ZDC					
RG004-1					PA guide	ERP 1110040001	Material Black PA					
RG004-2					PA guide	ERP 1110040002	Material Black PA					
RG004-3					Black ABS guide	ERP 1110040003	Material Black ABS					

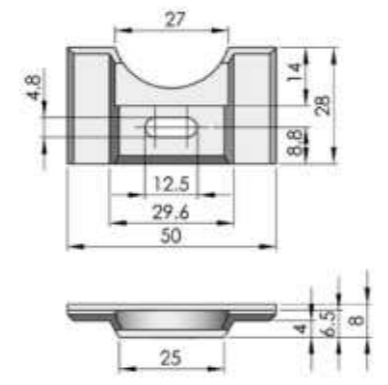
RG005-1



ZDC fix catcher, match with LG002-1/2.

ERP	Material
1110050001	ZDC

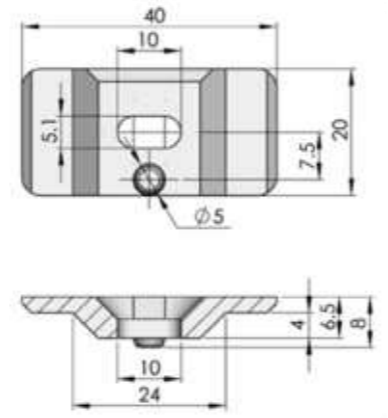
RG005-2



Cam fix fastener, match with S1A1403.

ERP	Material
1110050002	ZDC

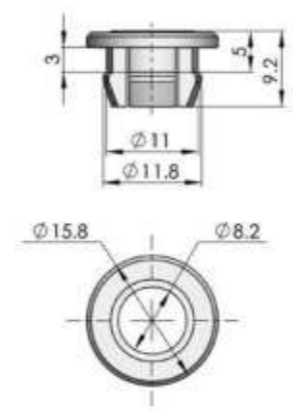
RG005-3



Cam catcher, match with S1A1403.

ERP	Material
1110050003	ZDC

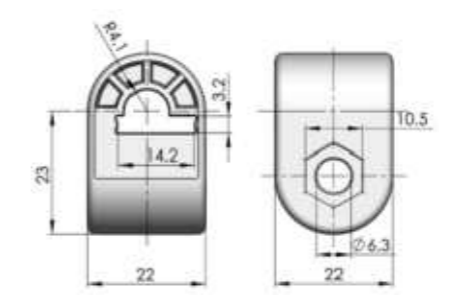
RG008



Nylon guide, match with \varnothing 8 mm round rod.

ERP	Material
1110080001	Black PA

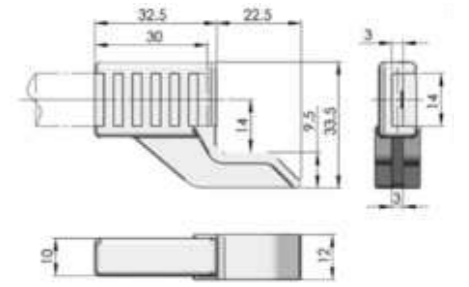
RG010



PA guide, match with \varnothing 8 mm round rod and 3X14 flat rod.

ERP	Material
1110100001	Black PA

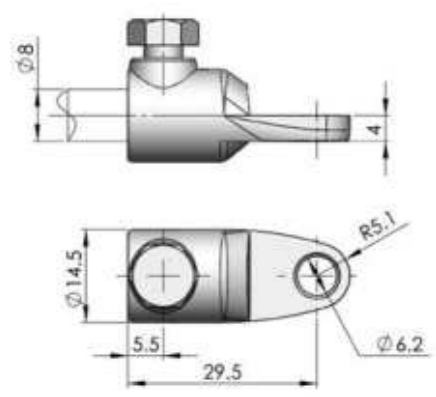
RG015



PA guide, match with 3X14 flat rod.

ERP	Material
1110150001	Black PA

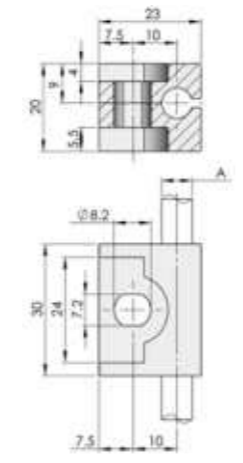
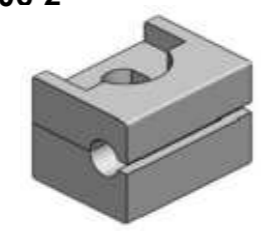
RG006-1



Zinc plated ZDC, connect accessories, Zinc plated steel, M6 set screw.

ERP	Material
1110061001	ZDC

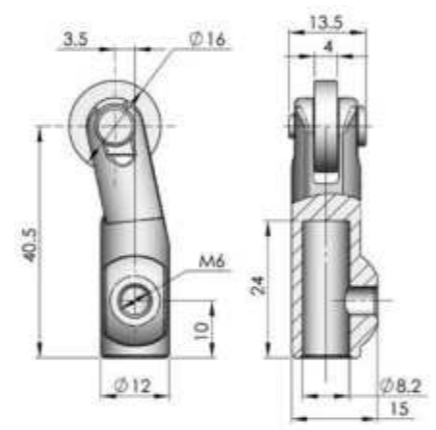
RG006-2



PA guide

ERP	Material
1110060002	Black PA

RG007



ZDC connect cover, nylon rolle, match with LG001-1 and LG003.

ERP	Material
1110070001	ZDC/PA

Accessories for rods

Rod guide code	Rod code
RG001-1	LG004 · LG005 · LG006 · LG010
RG001-2	LG004 · LG005 · LG006 · LG010
RG001-3	LG004 · LG005 · LG006 · LG010
RG002	LG001-1 · LG001-2 · LG001-3 · LG003 · LG007-A
RG002-A	LG001-1 · LG001-2 · LG001-3 · LG003 · LG007-A · LG007-B
RG004-1	LG001-1 · LG001-2 · LG001-3 · LG003 · LG007-A
RG004-2	LG001-1 · LG001-2 · LG001-3 · LG003 · LG007-A
RG004-3	LG001-1 · LG001-2 · LG001-3 · LG003 · LG007-A
RG006-2	LG002-1 · LG002-2
RG006-2A	LG001-1 · LG001-2 · LG001-3 · LG003 · LG007-A · LG007-B
Rod guide code	Rod code
RG003-1	LG004 · LG005 · LG010
RG003-2	
RG003-3	
RG005-1	LG002-1 · LG002-2
RG005-2	LG002-1 · LG002-2
RG006-1	LG001-1 · LG001-2

Accessories	Handle lock	Cylinder lock	Electronic lock	Swing handle	Rod control lock	Panel lock	Toggle and hook	Handles	Door stop	Hinge	Seal gasket	Accessories	Handle lock	Cylinder lock	Electronic lock	Swing handle	Rod control lock	Panel lock	Toggle and hook	Handles	Door stop	Hinge	Seal gasket	
WP001					Black PA water-tight cap																			
WP002					Black PA water-tight cap																			
WP003					Black PA water-tight cap																			
HP002					Black RB handle pull																			
HP003					Black PP handle pull																			
A3001					Cannula																			
WP004					Black PA water-tight cap																			
DP001					Chrome plated zdc water-tight cap,sus bracket																			
HP001					Black PA handle pull																			
A3002					Zinc plated steel seating, applicable for MS705 or others.																			
Spring clip plate																								
Clip fastener																								

Accessories
Handle lock
Cylinder lock
Electronic lock
Swing handle
Rod control lock
Panel lock
Toggle and hook
Handles
Door stop
Hinge
Seal gasket

Cylinder series

TC01

Chrome plated ZDC cylinder default Key K140, Automatic reset lock tongue.

TC01-2

Chrome plated ZDC cylinder default Key K140, Automatic reset lock tongue.

TC03-1

Brass Anti-thief cylinder on request of safety and special circumstance.

TC03-5

Brass Anti-thief cylinder on request of safety and special circumstance.

TC04-1

Chrome plated cylinder, default K140, automatic reset.

TC04-2

Chrome plated cylinder, with button, automatic reset.

TC05-1

Chrome plated ZDC cylinder, with sus escutcheon and screw, default key K140, automatic reset.

TC06-1

Chrome plated ZDC cylinder, match with padlock, default key K290, automatic reset.

TC06-2

Chrome plated ZDC cylinder, match with padlock, default key K290.

Model	A	B
TC06-2	17	12
TC06-3	26.5	14
TC06-4	12	8x11

Specification	Code	Key Code
Double bit 4mm	TC02-1	K15-01A/K15-01F/K15-01E
Double bit 3mm	TC02-1A	K15-01A/K15-01F/K15-01E
Hooked	TC02-2	K15-01A
Triangular 8mm	TC02-3	K15-03A/K15-03F
Square 8mm	TC02-4	K15-04B/K15-04F
Square 8mm with slot	TC02-4A	K15-04B/K15-04F
Square 6mm	TC02-5	K15-05B/K15-05F/K15-05A
Square 7mm	TC02-6	K15-06A/K15-06F
Socket Hexagon	TC02-7	K15-07A/K15-07F
Slot	TC02-8	
Hexagon	TC02-9	K15-09A/K15-09F
Thron	TC02-10	K15-10A
Oblate-type	TC02-11	K15-11A
Triangular 7mm	TC02-12	K15-03A/K15-03F

TC02-1

Chrome plated ZDC cylinder insert, auto-resile striking plate, see P059 for insert sets.

Specification	Code	Key Code	
Key-type cylinder	Anti-thief insert	TC08-A1	K140/K190
Cylinder insert	Double bit 4mm	TC08-B1	K15-01A/K15-01F/K15-01E
	Double bit 3mm	TC08-B1A	K15-01A/K15-01F/K15-01E
	Hooked	TC08-B2	K15-01A
	Triangular 8mm	TC08-B3	K15-03A/K15-03F
	Square 8mm	TC08-B4	K15-04B/K15-04F
	Square 8mm with slot	TC08-B4A	K15-04B/K15-04F
	Square 6mm	TC08-B5	K15-05B/K15-05F/K15-05A
	Square 7mm	TC08-B6	K15-06A/K15-06F
	Socket Hexagon	TC08-B7	K15-07A/K15-07F
	Slot	TC08-B8	
	Hexagon	TC08-B9	K15-09A/K15-09F
	Thron	TC08-B10	K15-10A
Oblate-type	TC08-B11	K15-11A	
Triangular 7mm	TC08-B12	K15-03A/K15-03F	

TC08

Cylinder list on P059

Nut



Locking screw



Non-standard nuts table							
Plane nut				Step nut			
Nut code	Part source	Dimensions				Material	Remarks
		A	B	C	D		
M 26x1.5	807	36	9.5	7.5	31	ZDC	
M 26x1.5	807	36	10	8	31.5	SUS	
M 24x1.5	823	32	5			ZDC	Eight-square nut
M 22x1.5	812	36	10	8	31.5	ZDC	
M 22x1.5	705	27	4			ZDC	
M 22x1.5	705	27	4			CRS	
M 22x1.5	705	27	5			SUS304	
M 22x1.5	PH-53	32	3			ZDC	
M 22x1.5	705	27	4			CRS	Hex earthing nut
M 22x1	304	29	4.5			ZDC	Eight-square nut
M 19x1	824	24	4			ZDC	
M 19x1	BKS	22	3.5			BR	
M 18x1	PH-30-4	28	3			ZDC	
M 18x1	PH-3-1	26	1.5	3.3	21	ZDC	
M 17x1	PH-30-3	26	1.5	3.3	21	ZDC	
M 17x1	PH-6-2	26	3			ZDC	
M 16x1	845	20	3			ZDC	

Washer screw size	H
SW4 x 8	8
SW6 x 8	8
SW6 x 10	10
SW6 x 27	27
SW6 x 55	55

Washer screw size	H
SW6 x 5	5
SW6 x 8	8
SW6 x 10	10
SW6 x 12	12

Accessories	Key series					Key screw					Accessories
	K010	K020	K030	K040	K050	K240	K250	K260	K270	K280	
Handle lock											
Cylinder lock											
Electronic lock	K060	K070	K080	K082	K083	K282	K290	K321	K322	K330	
Swing handle											
Rod control lock	K090	K100	K102	K110	K120	K360	K410	K420	K430	K440	
Panel lock											
Toggle and hook	K130	K140(Stainless steel)	K140(Plastic grip)	K160	K170	K480	K500	K530	K540	K560	
Handles											
Door stop											
Hinge	K180	K190	K200	K210	K220	K570	K580	K590	K590 Steel	K600	
Seal gasket											

Accessories	Key Code	Applicable Products Mode
Handle lock	K010	MS710、MS731、MS829、MS736、MS730
	K020	MS719、MS727、MS712、MS713、MS819、MS828、MS831、MS838、DKS、DK601
Cylinder lock	K030	MS737、TC04-1、TC05-1、TC05-2、MS833、MS832、MS835
	K040	MS805、TC04-1、TC05-1、TC05-2、MS719、MS727、MS712、MS713、MS819、MS831、MS828、MS838、MS318、MS305、MS307、MS748-1
Electronic lock	K050	MS301、MS304、MS305、MS306、MS307、MS310、MS317、MS807 系列、MS737、TC04-1、TC05-1、TC05-2、MS833、MS832、MS835、MS804、MS802、MS826
	K060	MS710、MS731、MS829、MS736、MS730
Swing handle	K070	MS719、MS727、MS712、MS713、MS819、MS831、MS828、MS838
	K080	DKS、DK601、DK604、MS852、MS843、MS731-1/2/3/6、MS736、MS710、MS829、MS866-1/2/3/5/6
Rod control lock	K082	MS710、MS731、MS829、MS736、MS866-1、MS866-2、MS867、MS866-5、MS866-11
	K083	MS710、MS731 系列、MS829、MS736、MS723、MS723-2、MS730
	K090	MS719、MS727、MS712、MS713、MS819、MS831、MS828
Panel lock	K100	MS719、MS727、MS712、MS713、MS819、MS831、MS828、MS838
	K102	MS737、TC04-1、TC05-1、TC05-2、MS833、MS832、MS834、MS835
Toggle and hook	K110	MS807 系列、MS304、MS310、MS719、MS727、MS712、MS713、MS819、MS831、MS828、MS838、DK604、MS852、MS843、MS805、MS737、MS832、MS833、MS835、DKS、DK601、TC04、TC05-1/2
	K120	DKS、DK601
	K130	MS856、MS857、MS858
Handles	K140	MS861-1、MS705-3E、MS848-B、MS840-B、MS840-C、MS872、MS719、MS727、MS712、MS713、MS819、MS831、MS828、MS865、MS861-2、TC01\748-3、MS324、MS323
Door stop	K160	MS825、MS826、MS719、MS727、MS712、MS713、MS819、MS831、MS828、MS312、MS313、MS314、MS315、MS741、MS748、MS744、MS718-3、MS870、MS762、MS753、MS861-1、MS705-3E、MS848-B、MS840-B、MS840-C、MS872、MS760、MS866-3、MS866-6、MS865、MS861-2
	K170	MS855-1、MS815-2、MS815-3
	K180	MS718
Hinge	K190	MS862、MS861-1、MS840-1B、MS705-3E、TC08、MS872、MS861-3、MS861-2、MS865、MS840、MS846、MS848、MS748 系列
Seal gasket	K200	MS730

Accessories	Key Code	Applicable Products Mode
Handle lock	K210	TC01、MS846、MS840、MS848
	K220	MS816
Cylinder lock	K240	MS815、MS869
	K250	MS308
	K260	MS880、MS680
	K270	MS790、MS690
Electronic lock	K280	TC01、MS719、MS727、MS712、MS713、MS819、MS831、MS828、MS737、TC04-1、TC05-1、TC05-2、MS833、MS832、MS835、MS838、MS805、MS312、MS313、MS314、MS315
Swing handle	K282	MS743
	K290	MS818、MS864
Rod control lock	K321	MS731 系列、MS710、MS730、MS736、MS829
	K322	MS731 系列、MS710、MS730、MS736、MS829
	K330	MS866-4、MS746
Panel lock	K360	MS744
	K410	MS858-6D、MS866-7、MS745-3-01D
	K420	MS729 系列、MS711
Toggle and hook	K430	MS733-1
	K440	MS884
Handles	K480	MS775
	K500	MS779
	K530	MS866-3S
Door stop	K540	MS786
	K560	TC01、MS840、MS846、MS848
	K570	MS816-1D-1、MS816-1D-2
	K580	MS830、MS824
Hinge	K590	MS720
	K590(铁皮)	MS720
Seal gasket	K600	MS732

MS306



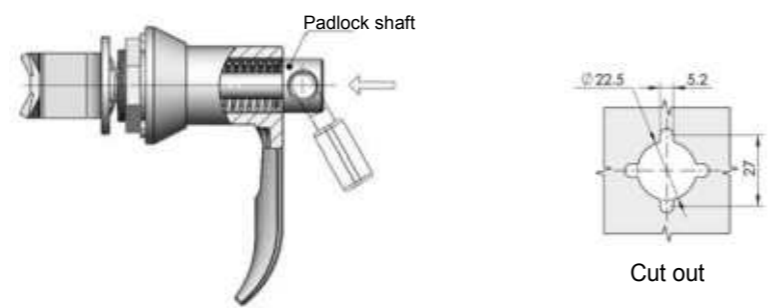
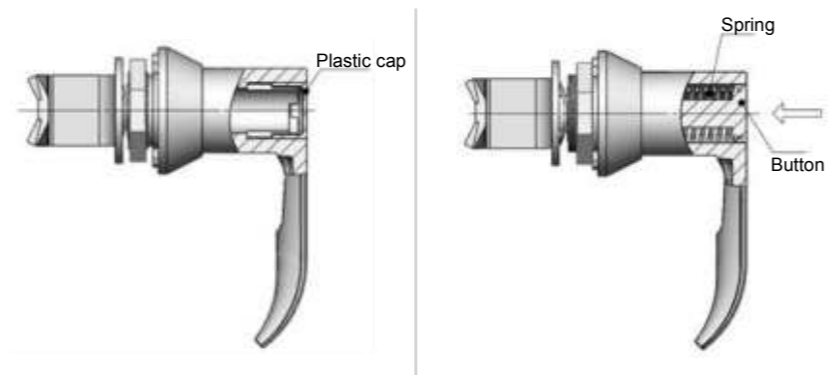
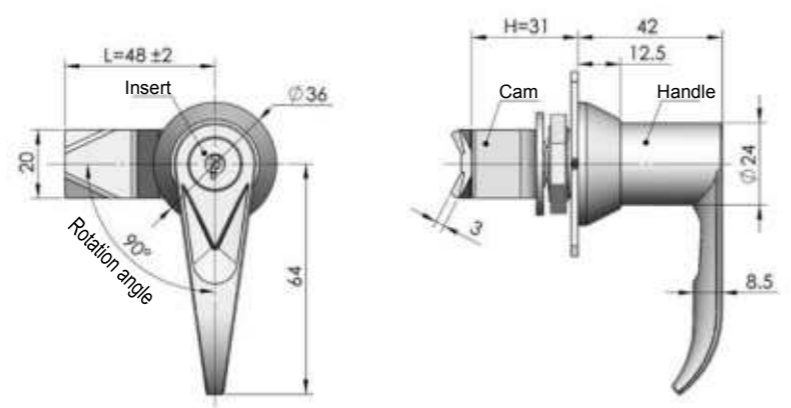
RL

Material and finish : Bright chrome-plated ZDC handle and housing, white zinc-plated steel cam, bright chrome plated steel button and shaft

Application : Quarter-turn opening or closing

Remarks : Default key K050

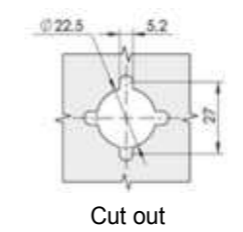
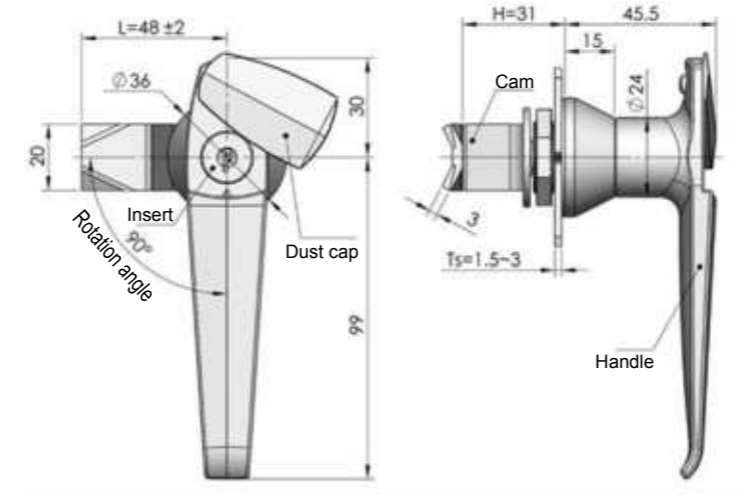
Default cam : S1H48Y19002



Remarks : RH ,LH changes and cam selection refer to MS301 on catalogue

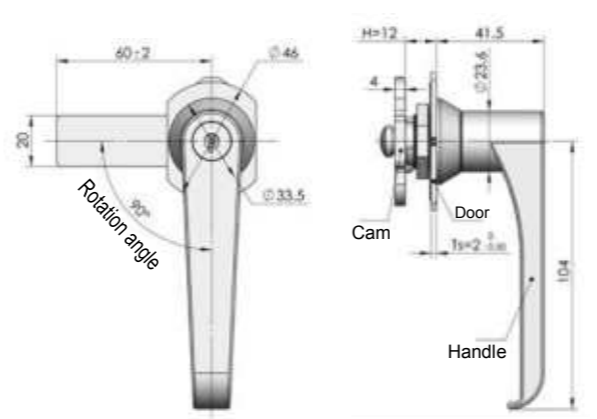
Specification	ERP
With insert	MS306Z3A050001
Without insert	MS306Z3A000001
With button	MS306Z3A000002
With padlock device	MS306Z3A000003

Remarks : ERP excludes cam

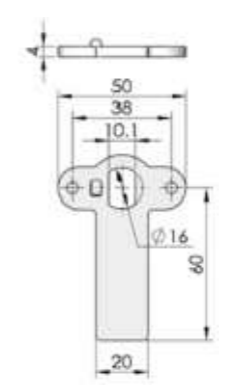


Remarks : RH,LH, and cam selection please refer to MS301 on catalogue

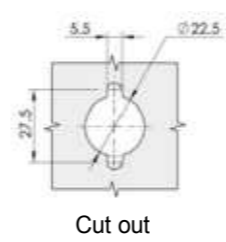
ERP MS307Z3A050001
Remarks : ERP excludes cam



Cam (Optional)



ERP S3H60Y00001



Remarks : Default specification RH

ERP MS308Z3A250002
Remarks : ERP excludes cam

MS307



RL IP 54

Main material and finish : Bright chrome-plated ZDC handle and housing, white zinc-plated steel cam

Remarks : Default key K050

Default cam : S1H48Y19002

MS308



R

Main material and finish : Bright chrome-plated ZDC handle and housing, white zinc-plated steel cam

Application : Quarter-turn opening or closing

Remarks : Default key K250

Accessories
Handle lock
Cylinder lock
Electronic lock
Swing handle
Rod control lock
Panel lock
Toggle and hook
Handles
Door stop
Hinge
Seal gasket



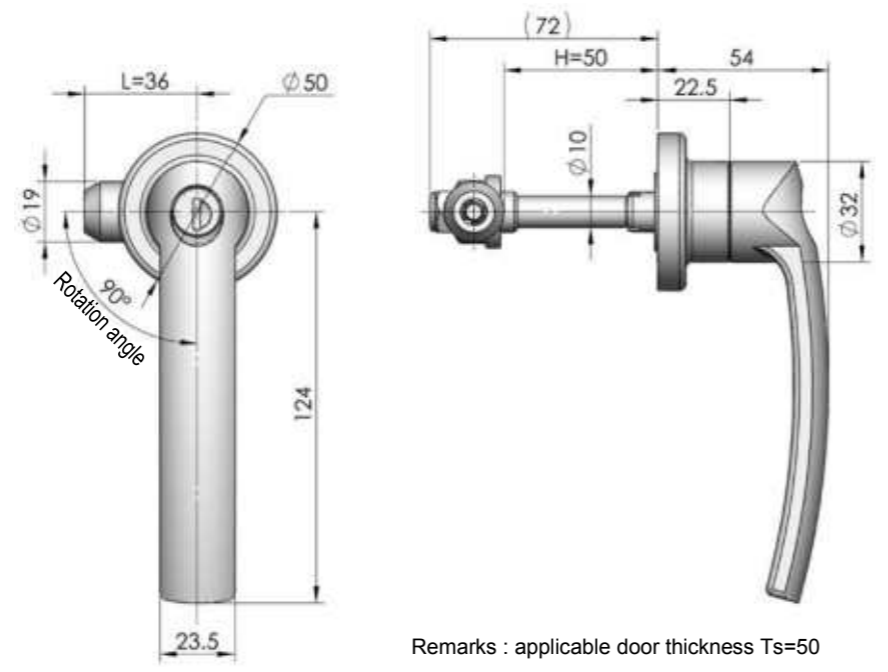
MS320

RL

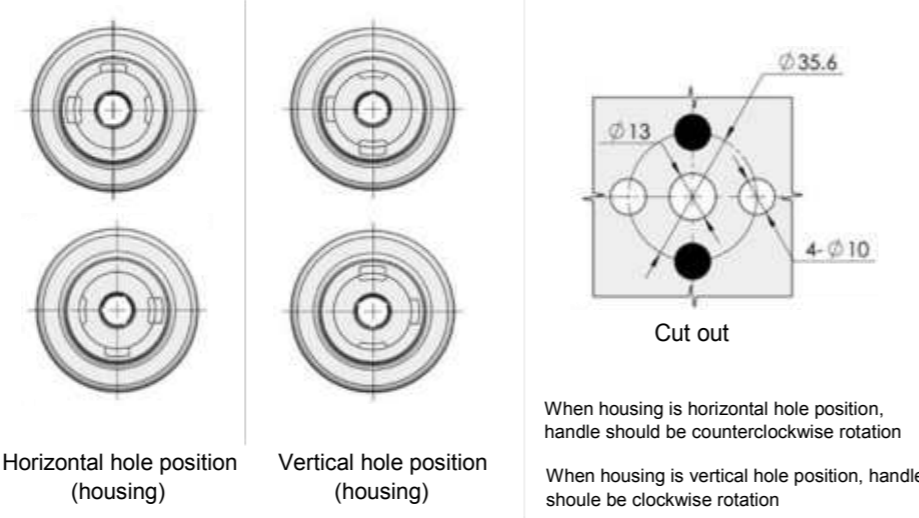
Main material and finish : PA handle and housing, white zinc-plated steel shaft

Application : Quarter-turn opening or closing

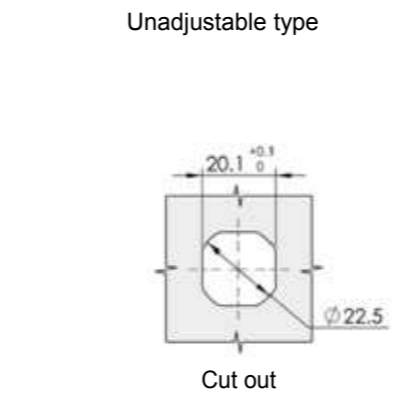
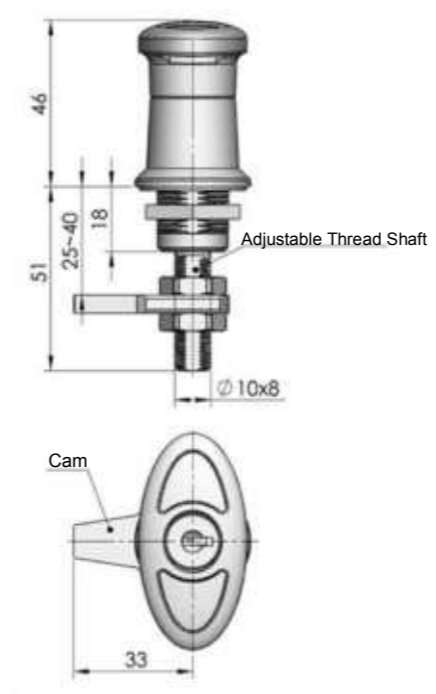
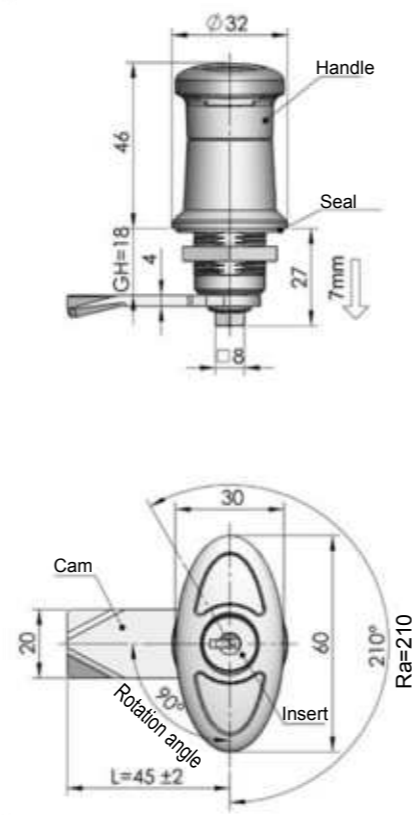
Remarks : Default key K160



Installation Method



ERP MS320N00160001



Specification	ERP
Unadjustable type with insert	MS319Z2B280001
Unadjustable type without insert	MS319Z2B000001
Adjustable type with insert	MS319Z2B280002
Adjustable type without insert	MS319Z2B000002

Remarks : ERP excludes cam



MS319

Main material : Nanometer-plated ZDC handle and housing, white zinc-plated steel shaft and cam

Application : 210 degree handle rotation combines with 90 degree cam rotation

Remarks : Default key K280

Default cam : S1B45Y00002(Unadjustable)
S1M33Y00002(Adjustable)

Accessories
Handle lock
Cylinder lock
Electronic lock
Swing handle
Rod control lock
Panel lock
Toggle and hook
Handles
Door stop
Hinge
Seal gasket

MS807-1



MS807-2



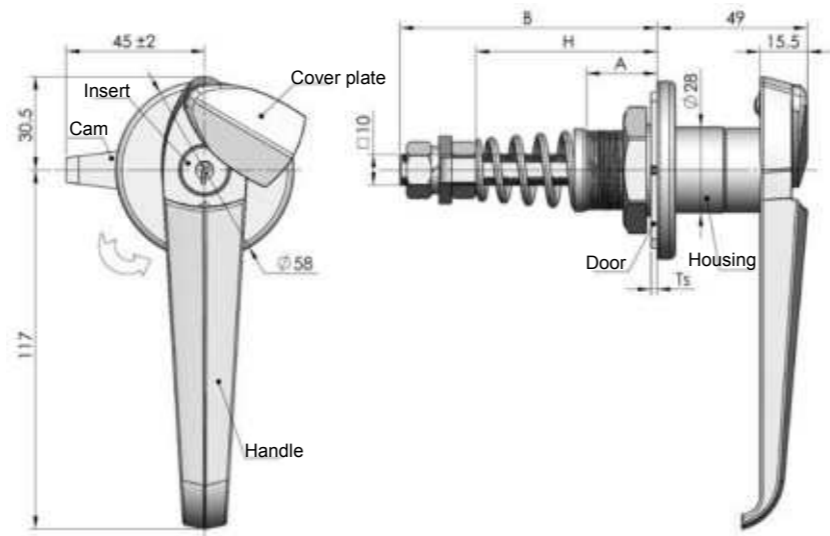
MS807-3



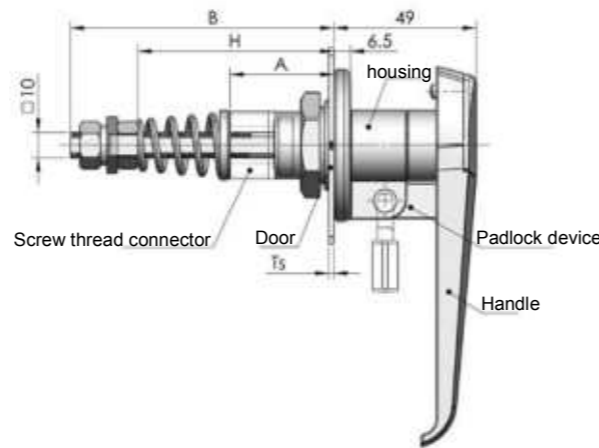
R L IP 54

Main material and finish : Bright chrome-plated ZDC handle, housing, insert and dust-tight cap, white Zinc-plated steel cam, teeth washer, and shaft
Application : Cam adjustable
Remarks : Default key K050

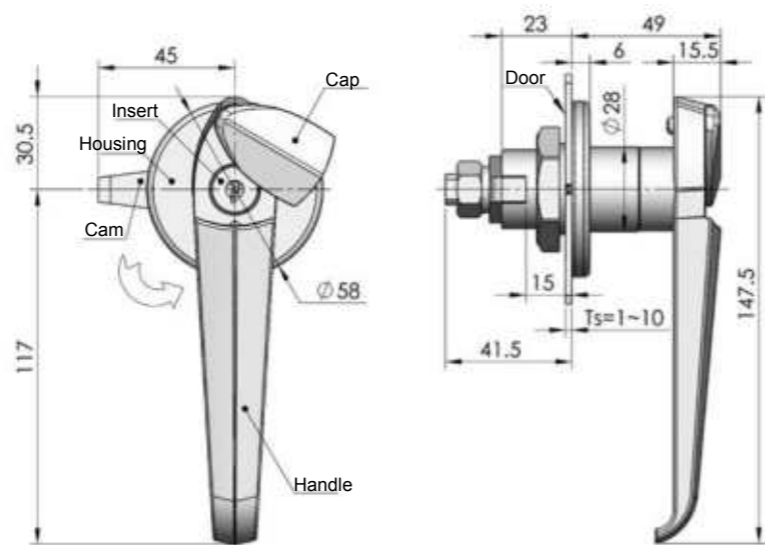
Default cam : S1C45Y00003(Steel)
 S1C45Y00004(Stainless steel)



MS807-1

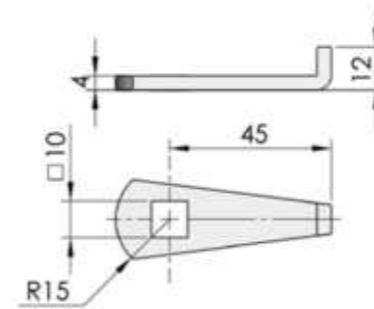


MS807-2

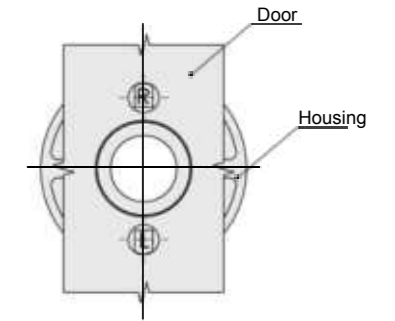
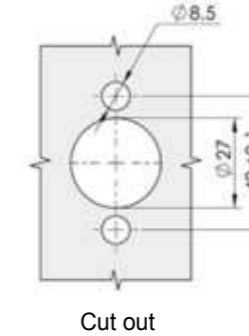


MS807-3

Default cam



Remarks : Default cam drawing cut out is square 10mm, other cam selection refer to cam list



Note : if it is used for 60 RH and LH, the door can be opened both right and left through housing 180 rotation assembling position, it is the dorsal view after lock is assembled on the door

Specification		MS807-1 Series	
		Bright chrome-plated ZDC housing, handle, cap	S.S housing, handle, cap
A=23 B=83 H=45~58	60°For RH an LH	MS807Z3A050001	MS807S4A050010
	90°RH	MS807Z3A050004	
	90°LH	MS807Z3A050007	
A=40 B=103 H=52~75	60°For RH an LH	MS807Z3A050002	MS807S4A050011
	90°RH	MS807Z3A050005	
	90°LH	MS807Z3A050008	
A=63 B=103 H=75~80	60°For RH an LH	MS807Z3A050003	MS807S4A050012
	90°RH	MS807Z3A050006	
	90°LH	MS807Z3A050009	
Specification		MS807-2 Series	
		Bright chrome-plated ZDC housing, handle, cap	S.S housing, handle, cap
A=23 B=83 H=45~58	60°For RH an LH		
	90°RH	MS807Z3A050011	MS807S4A050018
	90°LH	MS807Z3A050010	MS807S4A050017
Specification		MS807-3 Series	
		Bright chrome-plated ZDC housing, handle, cap	S.S housing, handle, cap
60°For RH an LH	90°RH	MS807Z3A050017	MS807S4A050023
	90°LH	MS807Z3A050018	MS807S4A050024
	90°LH	MS807Z3A050019	MS807S4A050025

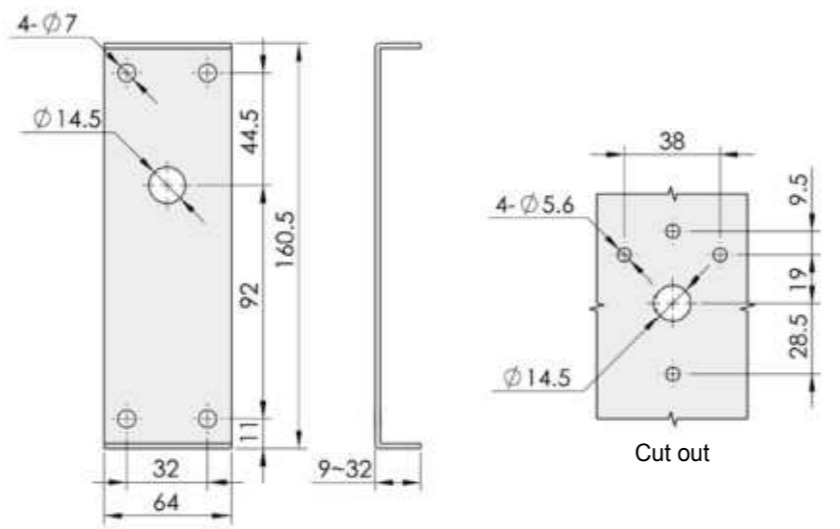
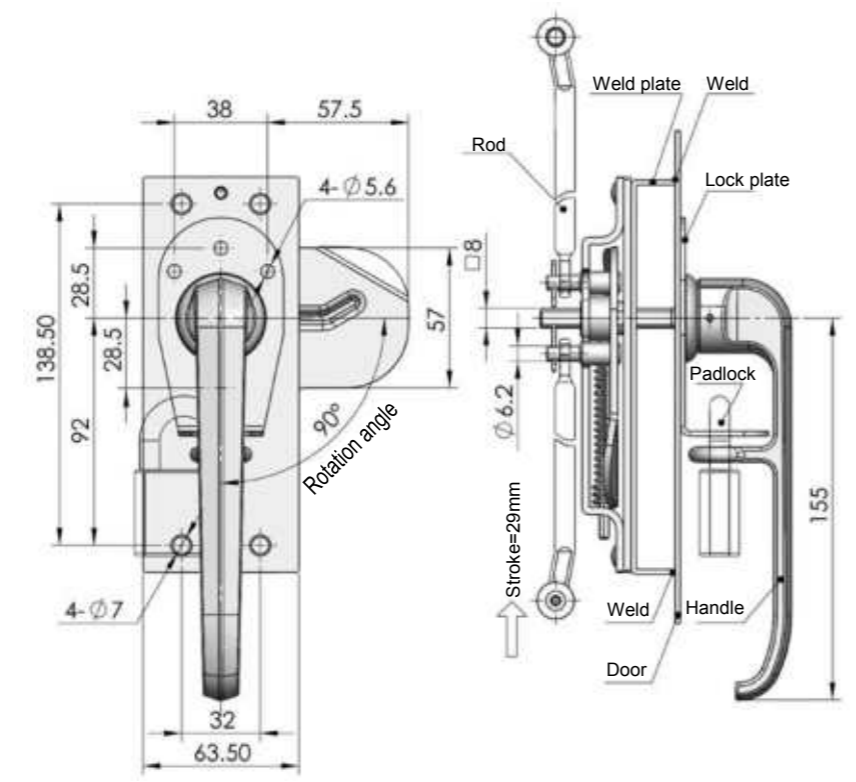
Remarks : ERP excludes cam

MS841



RL

Main material and finish : White zinc-plated drive box rod drive mechanism, stainless steel handle and lock panel
Application : Quarter-turn opening or closing padlockable



Weld panel (prepared by user)

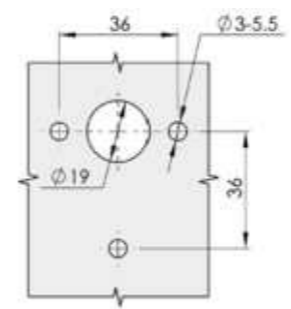
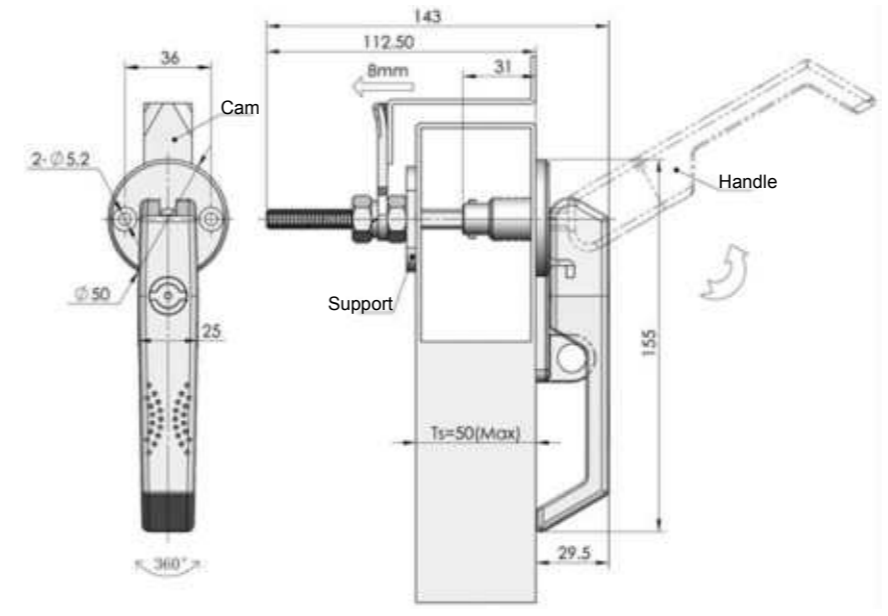
ERP MS841S0000001

MS859

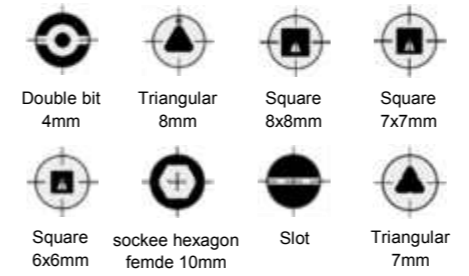
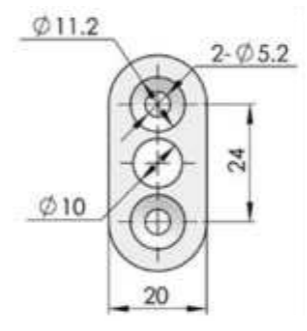


Main material and finish : PA handle, pocked black powder coated ZDC housing, bright chrome-plated ZDC insert, white zinc-plated steel shaft
Application : Quarter-turn opening or closing
Remark : Optional key K15 series

Default cam : S1B45Y00005(Ts=4)



Support (Accessory)



Specification	ERP
Double bit	MS859Z1BT01001
Triangular	
Square 8x8mm	MS859Z1BT07001
Square 7x7mm	MS859Z1BT06001
Square 6x6mm	MS859Z1BT05001
Hexagon	
Slot	MS859Z1BT10001
Triangular 7mm	MS859Z1BT14001

Remarks : ERP excludes cam (cut out square 8mm)

Accessories
Handle lock
Cylinder lock
Electronic lock
Swing handle
Rod control lock
Panel lock
Toggle and hook
Handles
Door stop
Hinge
Seal gasket

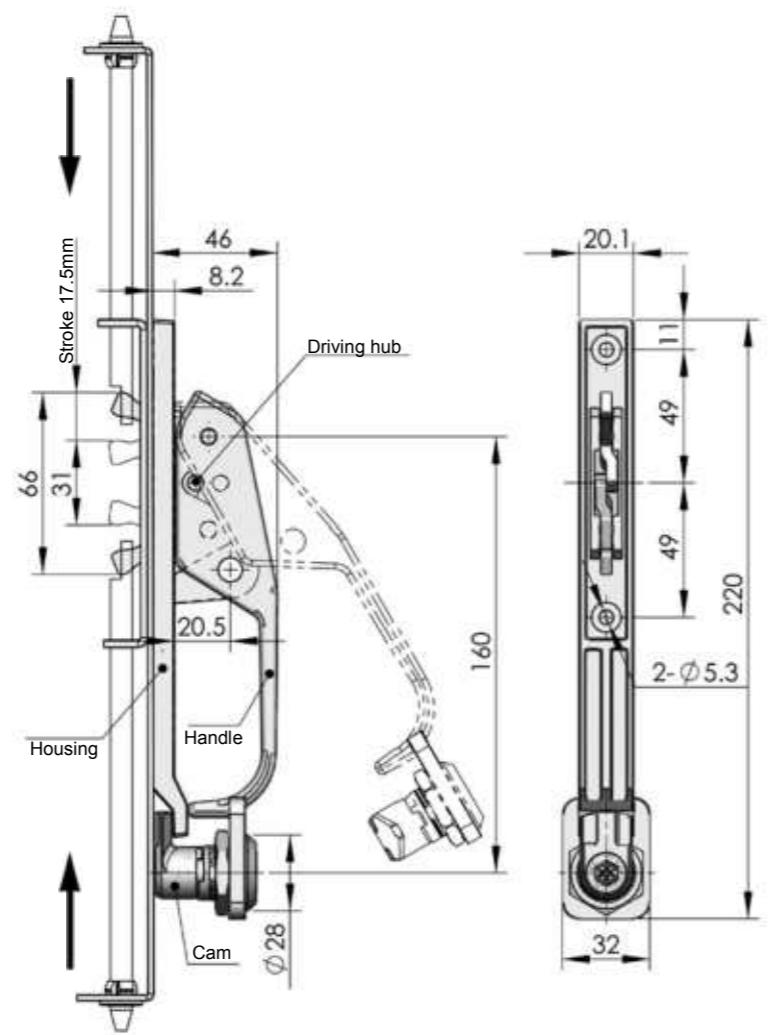


MS887-3

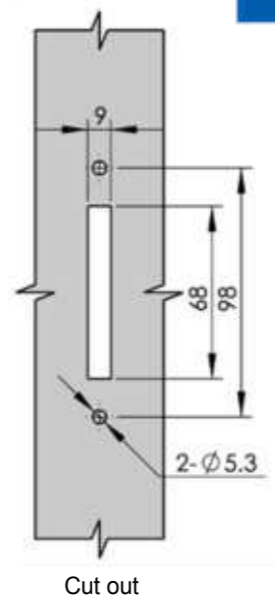
Main material and finish : Blue gray (RAL 7012) powder coated ZDC housing, handle and cylinder barrel

Application : Handle combines with latch, rod-latch system on sketch is just for reference, generally prepared by user

Remarks : Optional K15-01C



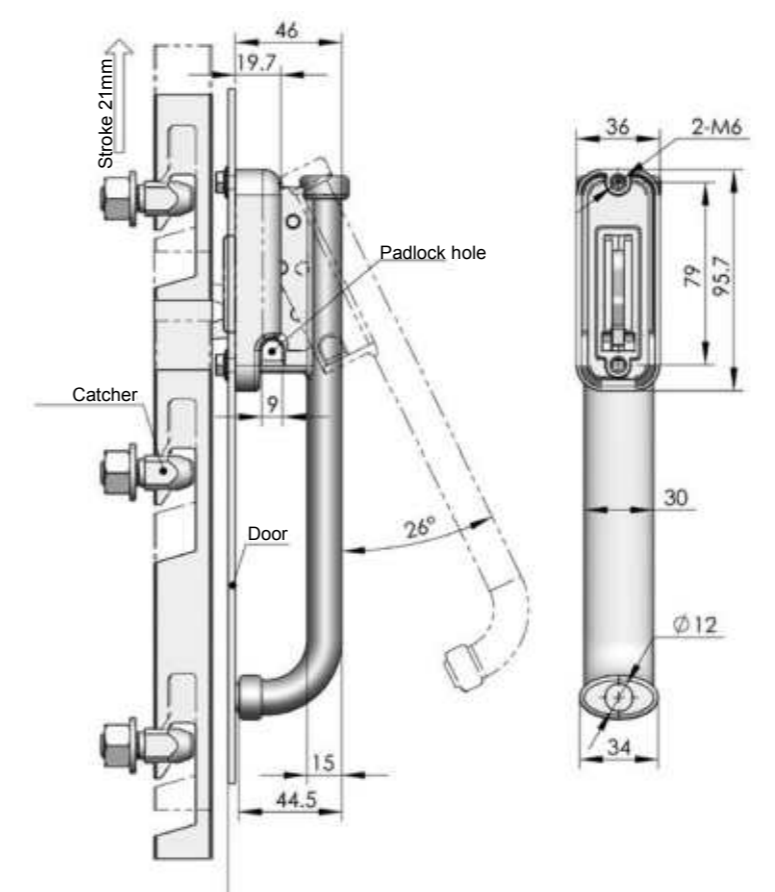
ERP MS887Z1DT02001



Optional key

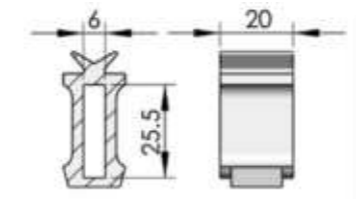


ERP 3290151001



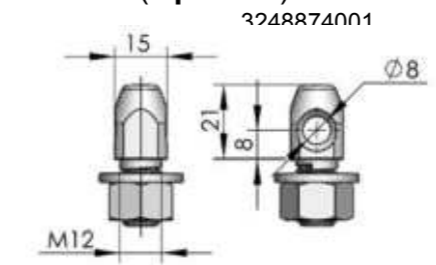
ERP MS887Z1D000001

PA guider (Optional)



ERP 3438874001

Catcher (Optional)



ERP 3248874001



MS887-4

Main material and finish : Blue gray (RAL 7012) powder coated ZDC housing, and handle

Application : Handle combines with latch, rod-latch system on sketch is just for reference, generally prepared by user

Accessories
Handle lock
Cylinder lock
Electronic lock
Swing handle
Rod control lock
Panel lock
Toggle and hook
Handles
Door stop
Hinge
Seal gasket

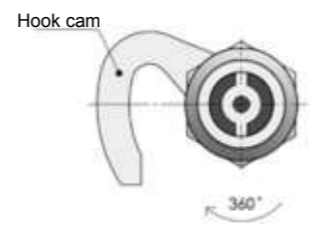
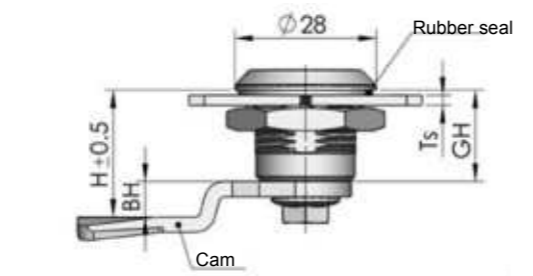
	Inserts form 1	Inserts form 2		
Accessories			Accessories	
Handle lock			Handle lock	
Cylinder lock	Double bit 4mm pin Double bit 3mm pin Hooked 4mm Triangular 8mm Square 8mm Square 8mm with solt Square 6mm Square 7mm Socket Hexagon 10mm Slot	Hexagon 11mm Thorn Flat Cylinder Triangular 7mm Triangular 9mm Heptagon Triangular 10mm with circle Concave with solt Hexagon female with pin	Triangular 8mm Hooked 4mm Socket Hexagon female 8mm Hexagon male 10mm Square 8mm Square 7mm Square 9mm Slot Triangular 7mm	Cylinder lock
Electronic lock			Electronic lock	
Swing handle			Swing handle	
Rod control lock			Rod control lock	
Panel lock			Panel lock	
Toggle and hook			Toggle and hook	
Handles			Handles	
Door stop			Door stop	
Hinge			Hinge	
Seal gasket			Seal gasket	

MS705

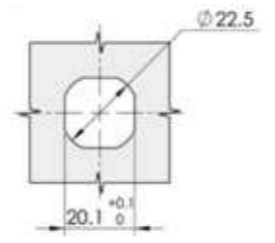
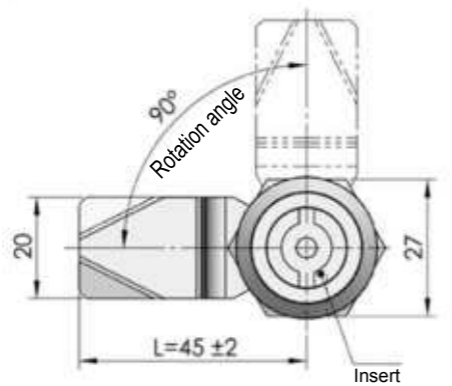


RL IP 54

Application : Insert quarter-turn opening or closing

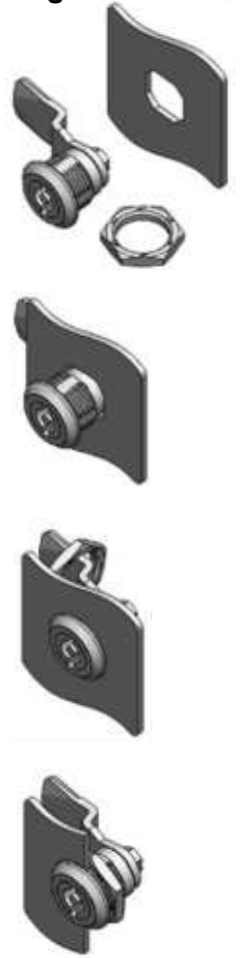


Remarks: Hooked cam, Ra=360°, suit for push-pull type cabinet doors

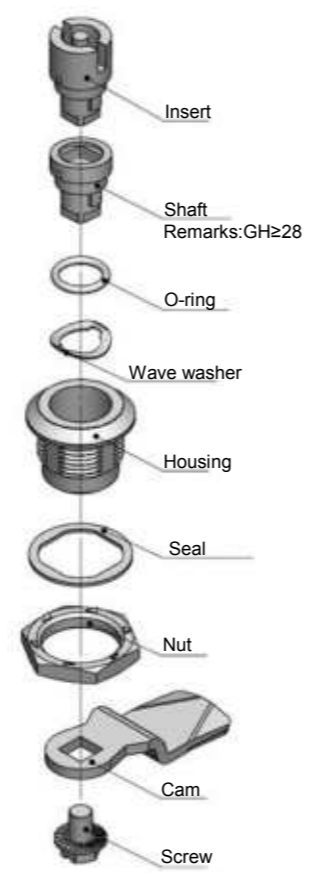


Cut out

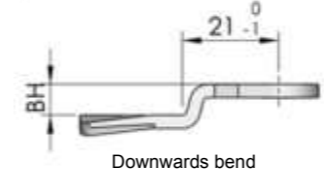
Assembling sketch



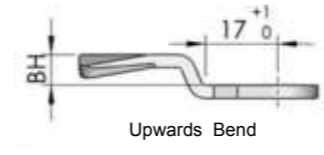
Exploded view



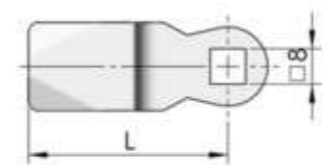
Cams (Optional)



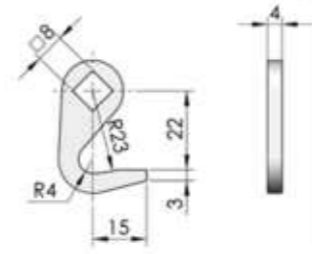
Downwards bend



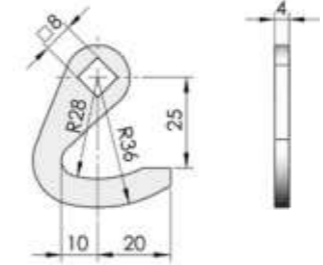
Upwards Bend



Remarks : See S1B cam series on P007

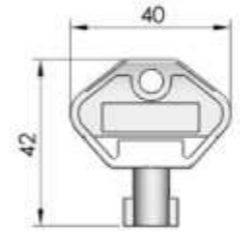


SIB2328H (Hooked cam)

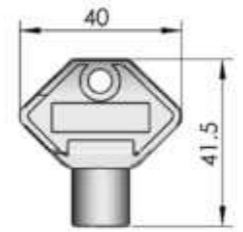


SIB2836H (Hooked cam)

Keys for selection



K15-01F



K15-□F Series

Remarks: Material is plastic, "□" stands for the model variable.



K15-01C

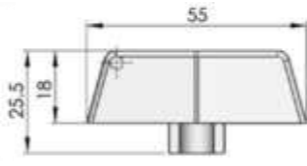


K15-□ Series

Remarks: Material is ZDC, "□" stands for the model variable.



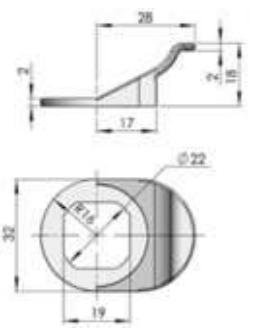
K15-05A



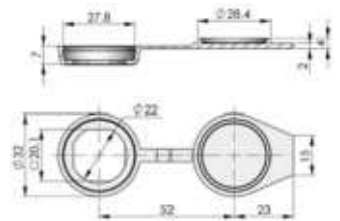
K15-01D

Remarks: Material is ZDC, "□" stands for the model variable.

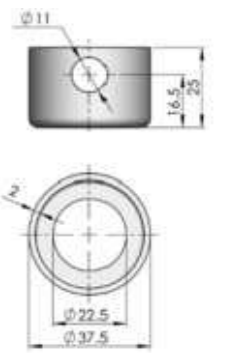
HP001 Handle pull (Optional)



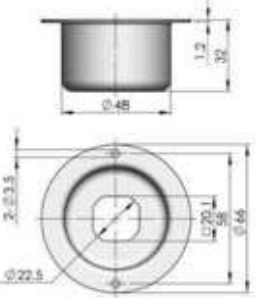
WP002 Water-proof cap (Optional)

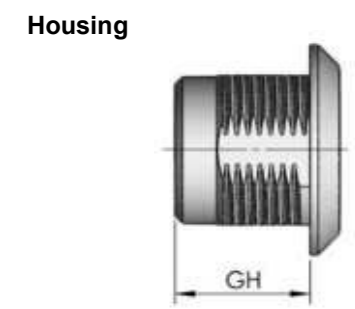


A3001 Stainless steel lock tube (Optional)



A3002 Carbon steel seat cover (Optional)

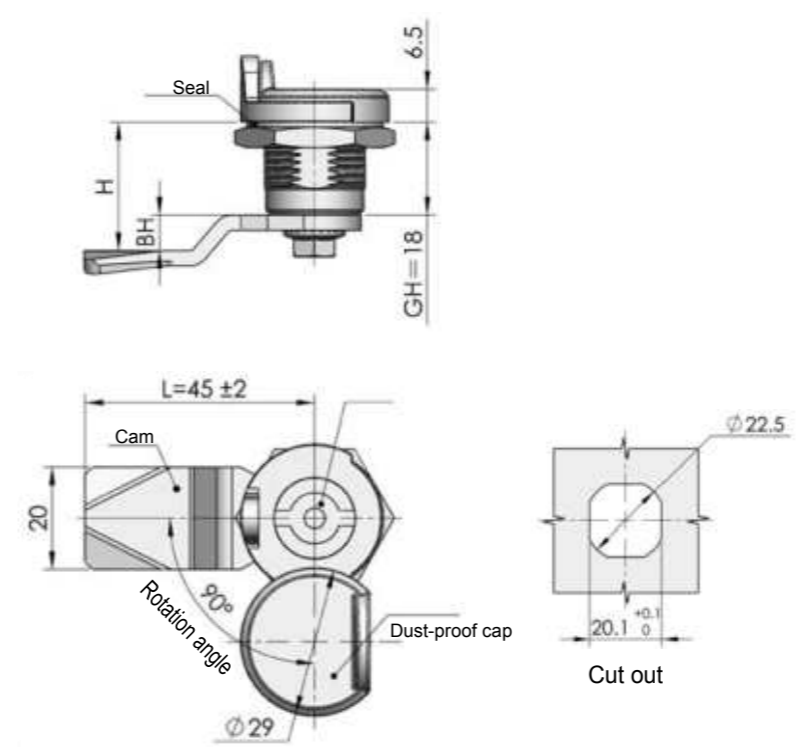




Specification	Housing GH=18				Housing GH=28	
	Bright chrome plated ZDC housing and insert	Black powder coated ZDC housing and insert	S.S Housing and insert	Black PA housing, bright chrome-plated insert	Bright chrome-plated ZDC housing and insert	Black powder coated ZDC housing and insert
Double bit 4mm	MS705Z3AT02001	MS705Z1AT02001	MS705S00T02001	MS705N00T02001	MS705Z3AT02002	MS705Z1AT02005
Double bit 3mm	MS705Z3AT01001	MS705Z1AT01001	MS705S00T01001	MS705N00T01001	MS705Z3AT01002	MS705Z1AT01005
Hooked 4mm	MS705Z3AT03001	MS705Z1AT03001	MS705S00T03001	MS705N00T03001	MS705Z3AT03002	MS705Z1AT03005
Triangular 8mm	MS705Z3AT04001	MS705Z1AT04001	MS705S00T04001	MS705N00T04001	MS705Z3AT04002	MS705Z1AT04005
Square 8mm	MS705Z3AT07001	MS705Z1AT07001	MS705S00T07001	MS705N00T07001	MS705Z3AT07002	MS705Z1AT07005
square 8mm with solt	MS705Z3AT08001	MS705Z1AT08001	MS705S00T08001	MS705N00T08001	MS705Z3AT08002	MS705Z1AT08005
Square 6mm	MS705Z3AT05001	MS705Z1AT05001		MS705N00T05001	MS705Z3AT05002	MS705Z1AT05005
Square 7mm	MS705Z3AT06001	MS705Z1AT06001		MS705N00T06001	MS705Z3AT06002	MS705Z1AT06005
10mm Hexagon female	MS705Z3AT09001	MS705Z1AT09001	MS705S00T09001	MS705N00T09001	MS705Z3AT09002	MS705Z1AT09005
11mm Hexagon male	MS705Z3AT11001	MS705Z1AT11001		MS705N00T11001	MS705Z3AT11002	MS705Z1AT11005
12mm Hexagon male	MS705Z3AT12001	MS705Z1AT12001		MS705N00T12001	MS705Z3AT12002	MS705Z1AT12005
Flat Cylinder	MS705Z3AT13001	MS705Z1AT13001		MS705N00T13001	MS705Z3AT13002	MS705Z1AT13005
Triangular 7mm	MS705Z3AT14001	MS705Z1AT14001		MS705N00T14001	MS705Z3AT14002	MS705Z1AT14005
Triangular 9mm	MS705Z3AT15001	MS705Z1AT15001		MS705N00T15001	MS705Z3AT15002	MS705Z1AT15005
Heptagon male	MS705Z3AT16001	MS705Z1AT16001		MS705N00T16001	MS705Z3AT16002	MS705Z1AT16005
Triangular 10mm	MS705Z3AT17001	MS705Z1AT17001		MS705N00T17001	MS705Z3AT17002	MS705Z1AT17005
Concave with solt	MS705Z3AT18001	MS705Z1AT18001		MS705N00T18001	MS705Z3AT18002	MS705Z1AT18005

Specification	Bright chrome plated	Housing GH=36		Bright chrome plated	Housing GH=62	
	MS705Z3AT02003	Black powder coated ZDC housing and insert	Black PA housing, bright chrome-plated insert	MS705Z3AT02004	Black powder coated ZDC housing and insert	Black PA housing, bright chrome-plated insert
Double bit 4mm	MS705Z3AT01003	MS705Z1AT02006	MS705N00T02003	MS705Z3AT01004	MS705Z1AT01002	MS705N00T01004
Double bit 3mm	MS705Z3AT03003	MS705Z1AT01006	MS705N00T01003	MS705Z3AT03004	MS705Z1AT03002	MS705N00T03004
Hooked 4mm	MS705Z3AT04003	MS705Z1AT03006	MS705N00T03003	MS705Z3AT04004	MS705Z1AT04002	MS705N00T04004
Triangular 8mm	MS705Z3AT07003	MS705Z1AT04006	MS705N00T04003	MS705Z3AT07004	MS705Z1AT07002	MS705N00T07004
Square 8mm	MS705Z3AT08003	MS705Z1AT07006	MS705N00T07003	MS705Z3AT08004	MS705Z1AT08002	MS705N00T08004
square 8mm with solt	MS705Z3AT05003	MS705Z1AT07006	MS705N00T08003	MS705Z3AT05004	MS705Z1AT05002	MS705N00T05004
Square 6mm	MS705Z3AT06003	MS705Z1AT08006	MS705N00T05003	MS705Z3AT06004	MS705Z1AT06002	MS705N00T06004
Square 7mm	MS705Z3AT09003	MS705Z1AT06006	MS705N00T06003	MS705Z3AT09004	MS705Z1AT09002	MS705N00T09004
10mm Hexagon female	MS705Z3AT10003	MS705Z1AT09006	MS705N00T09003	MS705Z3AT10004	MS705Z1AT10002	MS705N00T10004
Slot	MS705Z3AT11003	MS705Z1AT10006	MS705N00T10003	MS705Z3AT11004	MS705Z1AT11002	MS705N00T11004
11mm Hexagon male	MS705Z3AT12003	MS705Z1AT11006	MS705N00T11003	MS705Z3AT12004	MS705Z1AT12002	MS705N00T12004
12mm Hexagon male	MS705Z3AT13003	MS705Z1AT12006	MS705N00T12003	MS705Z3AT13004	MS705Z1AT13002	MS705N00T13004
Flat Cylinder	MS705Z3AT14003	MS705Z1AT13006	MS705N00T13003	MS705Z3AT14004	MS705Z1AT14002	MS705N00T14004
Triangular 7mm	MS705Z3AT15003	MS705Z1AT14006	MS705N00T14003	MS705Z3AT15004	MS705Z1AT15002	MS705N00T15004
Triangular 9mm	MS705Z3AT16003	MS705Z1AT15006	MS705N00T15003	MS705Z3AT16004	MS705Z1AT16002	MS705N00T16004
Heptagon male	MS705Z3AT17003	MS705Z1AT16006	MS705N00T16003	MS705Z3AT17004	MS705Z1AT17002	MS705N00T17004
Triangular 10mm	MS705Z3AT18003	MS705Z1AT17006	MS705N00T17003	MS705Z3AT18004	MS705Z1AT18002	MS705N00T18004
		MS705Z1AT18006	MS705N00T18003			

Remarks : ERP excludes cam (cutout square 8mm), cam optional refers to S1B cam list on P007



ERP	Specification	
	Insert range	Optional key
MS705Z3HT02005	Double bit 4mm	K15-01A/K15-01F/K15-01E
MS705Z3HT01005	Double bit 3mm	K15-01A/K15-01F/K15-01E
MS705Z3HT03005	Hooked 4mm	K15-01A
MS705Z3HT04005	Triangular 8mm	K15-03A/K15-03F
MS705Z3HT07005	Square 8mm	K15-04B/K15-04F
MS705Z3HT08005	square 8mm with solt	K15-04B/K15-04F
MS705Z3HT05005	Square 6mm	K15-05B/K15-05F/K15-05A
MS705Z3HT06005	Square 7mm	K15-06A/K15-06F
MS705Z3HT09005	10mm Hexagon female	K15-07A/K15-07F
MS705Z3HT10005	Slot	
MS705Z3HT11005	11mm Hexagon male	K15-09A/K15-09F
MS705Z3HT12005	Thorn	K15-10A
MS705Z3HT13005	Flat Cylinder	K15-11A
MS705Z3HT14005	Triangular 7mm	K15-03A/K15-03F
MS705Z3HT15005	Triangular 9mm	
MS705Z3HT16005	Heptagon male	
MS705Z3HT17005	Triangular 10mm	
MS705Z3HT18005	Concave with solt	

Remarks : ERP excludes cam (cutout square 8mm), cam optional refers to S1B cam list on P007

MS705-3A



RL IP 54

Main material and finish : Sand-spray and bright chrome-plated ZDC housing, insert and dust-proof cap, white zinc-plated steel cam

Application : Quarter-turn opening or closing

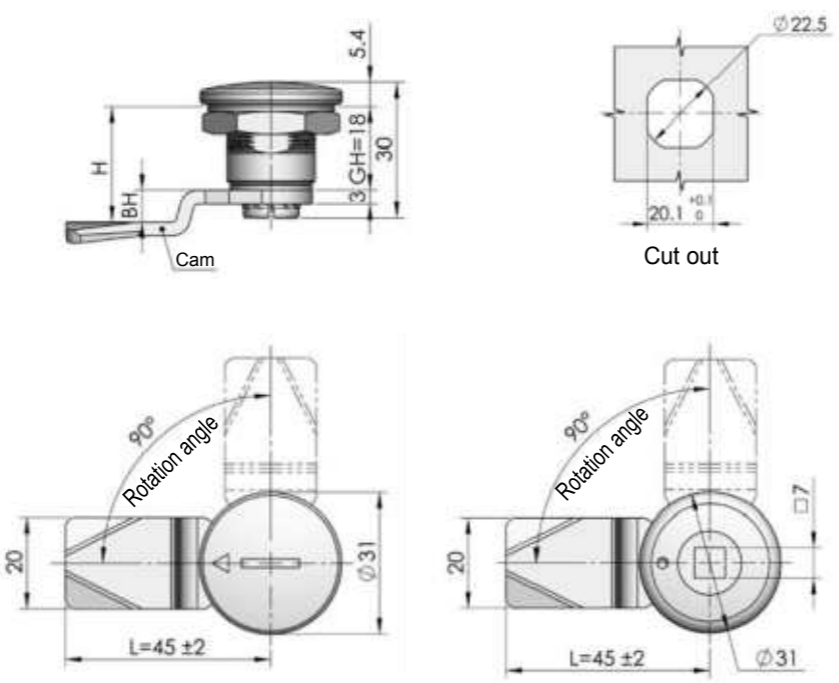
Remarks: Optional key K15 series

MS705-3C



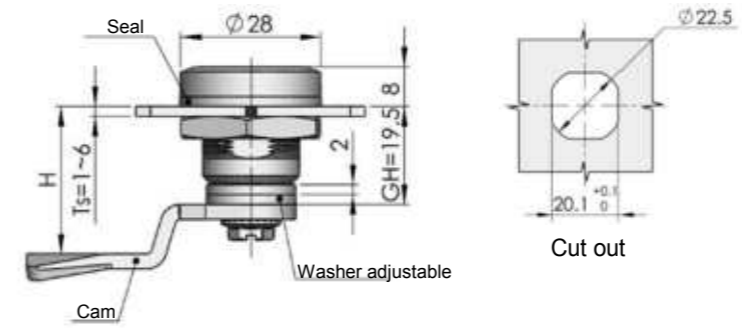
RL

Main material and finish : Sand-spray, and bright chrome-plated ZDC housing, white zinc-plated steel cam
Application : Quarter-turn opening or closing



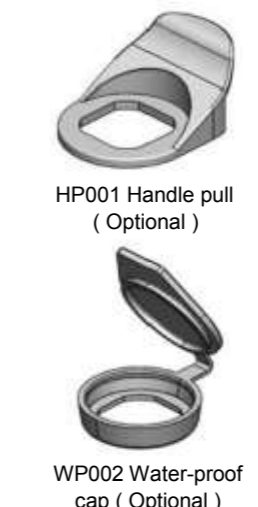
	Slot	□7x7
ERP	MS705Z3H000006	MS705Z3H000007

Remarks : ERP excludes cam (cutout square 8mm), cam optional refers to S1B cam list on P007



ERP	MS705Z2AT01001
-----	----------------

Remarks : ERP excludes cam (cutout square 8mm), cam optional refers to S1B cam list on P007



MS705-3D



RL IP 54

Main material and and finish : Black powder coated ZDC housing and insert, white zinc-plated steel cam
Application : Quarter-turn opening or closing
Remarks : Optional key K15-01C

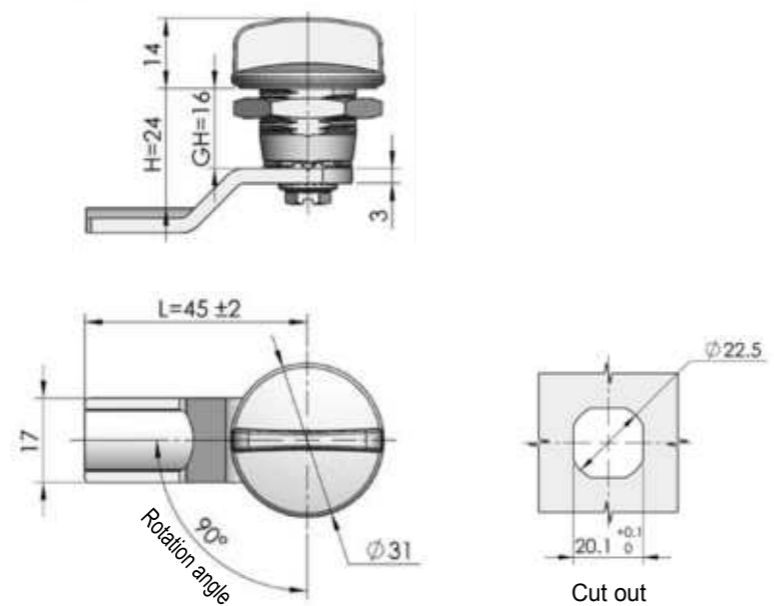
MS705-3C-4



RL

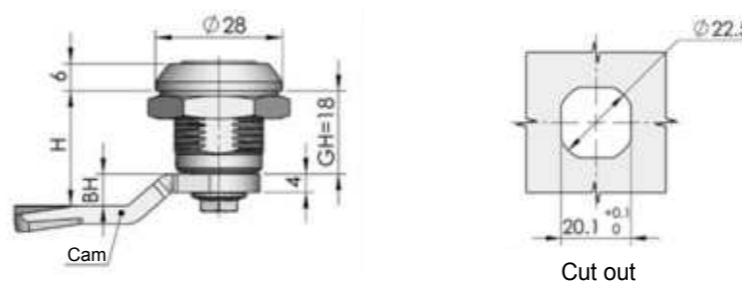
Main material and finish : White zinc-plated ZDC housing and steel cam
Application : Quarter-turn opening or closing

Default cam : S1V45Y08001



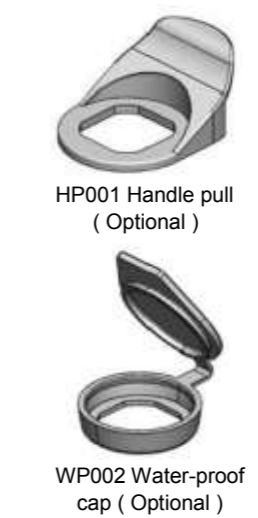
ERP	MS705Z3A000009
-----	----------------

Remarks : ERP excludes cam



Specification	ERP
ZDC housing,insert(RH-rotation)	MS705Z1A140011
ZDC housing,insert(LH-rotation)	MS705Z3A140001
PA housing,insert(RH-rotation)	MS705N00140012

Remarks : ERP excludes cam (cutout square 8mm), cam optional refers to S1B cam list on P007



MS705-3E



RL

Main material and finish : Pocked Black powder coated ZDC housing, white zinc-plated steel cam
Application : Quarter-turn opening or closing
Remarks : Default key K140

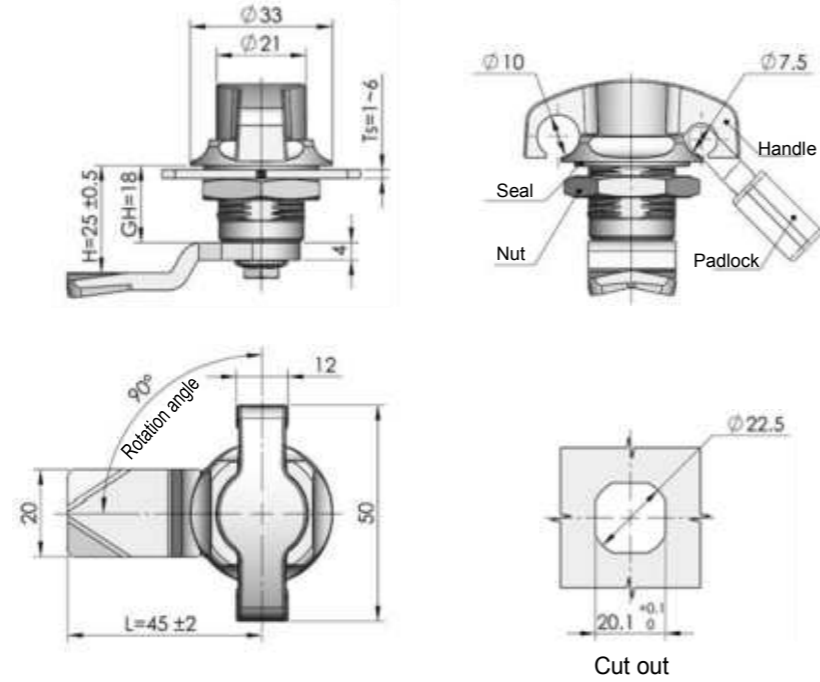
MS714-3



RL IP 54

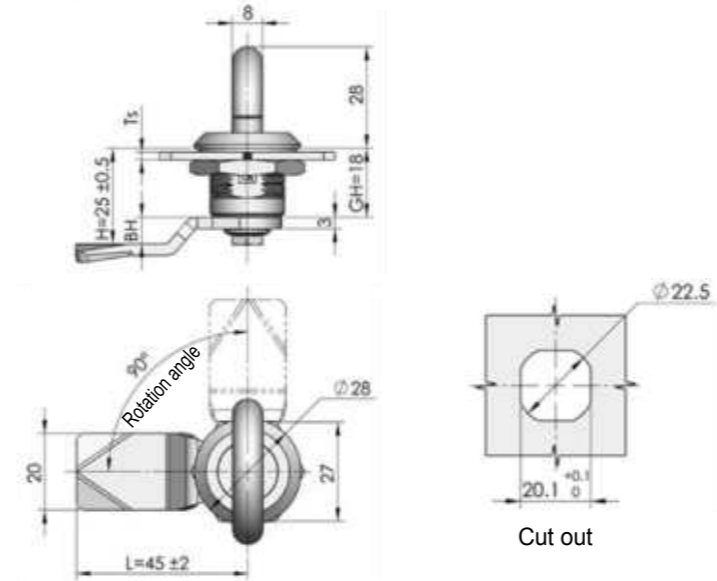
Main material and finish : Pocked black powder coated ZDC housing and handle, white zinc-plated steel cam

Application : Quarter-turn opening or closing



ERP MS714Z1B000002

Remarks : ERP excludes cam (cutout square 8mm), cam optional refers to S1B cam list on P007



Specification	ZDC housing, PA handle	PA housing and handle
GH = 18	MS715Z3A000001	MS715N00000001
GH = 28	MS715Z3A000002	MS715N00000002
GH = 36	MS715Z3A000003	MS715N00000003
GH = 62	MS715Z3A000004	MS715N00000004

Remarks : ERP excludes cam (cutout square 8mm), cam optional refers to S1B cam list on P007

MS715



RL IP 54

Main material and finish : Bright chrome-plated chrome plated ZDC handle, white zinc-plated steel cam

Application : Quarter-turn opening or closing

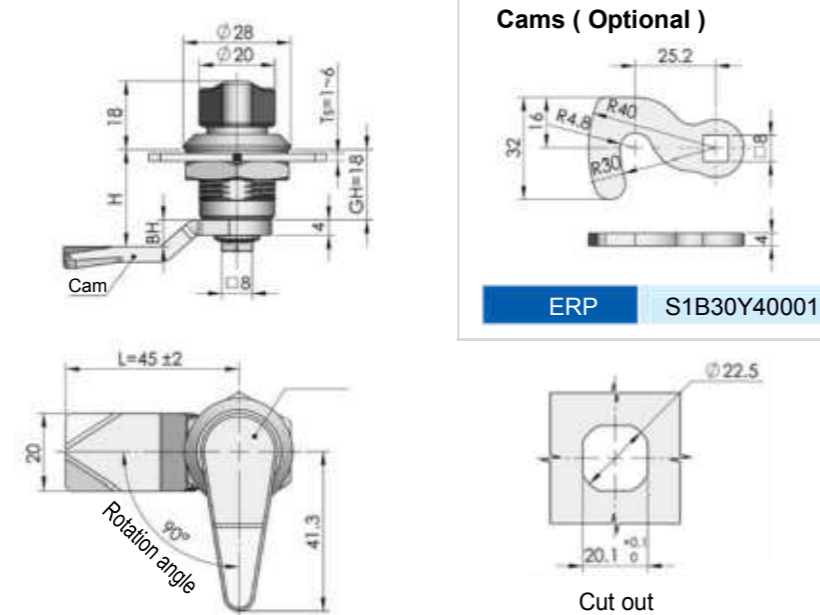
MS714-4



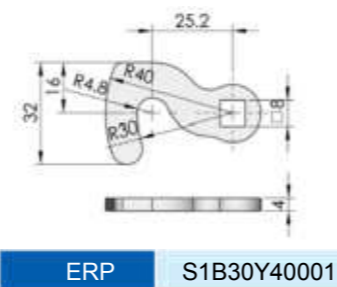
RL IP 54

Main material and finish : Pocked black powder coated ZDC housing,PA handle, white zinc-plated steel cam

Application : Quarter-turn opening or closing



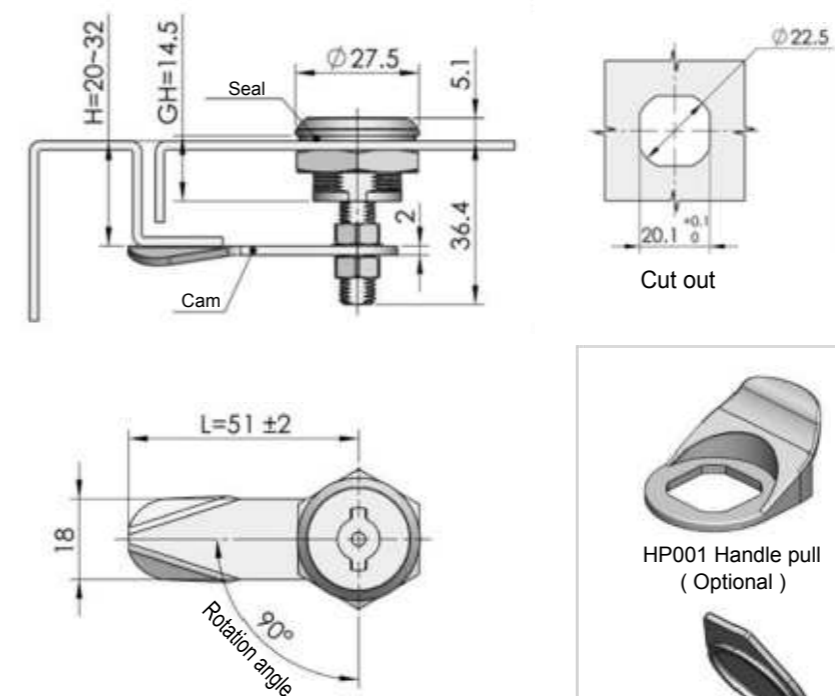
Cams (Optional)



ERP S1B30Y40001

Specification	ZDC housing, PA handle	PA housing and handle
GH = 18	MS714Z1A000001	MS714N000000009
GH = 28	MS714Z1A000002	MS714N000000010
GH = 36	MS714Z1A000003	MS714N000000011
GH = 62	MS714Z1A000004	MS714N000000012

Remarks : ERP excludes cam (cutout square 8mm), cam optional refers to S1B cam list on P007, Ts=4



MS721Z3AT01001
Remarks : ERP excludes cam (cutout 8x6)



MS721



Main material and finish: Bright chrome-plated ZDC housing and insert, steel cam

Application : Quarter-turn opening or closing

Default cam : S1W51Y00001

Accessories
Handle lock
Cylinder lock
Electronic lock
Swing handle
Rod control lock
Panel lock
Toggle and hook
Handles
Door stop
Hinge
Seal gasket

MS722

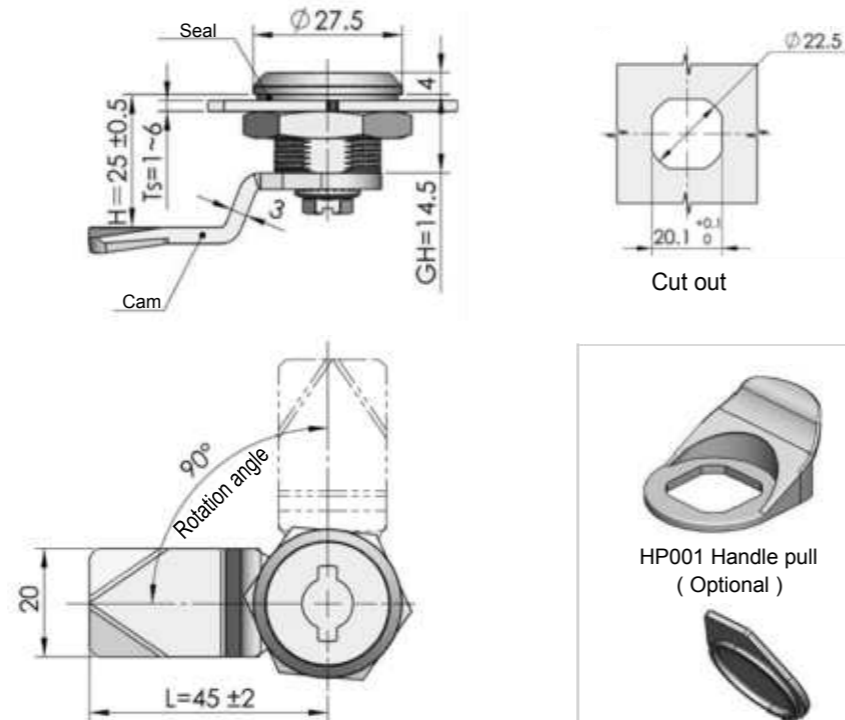


RL **IP 54**

Main material and finish: Bright chrome-plated ZDC housing, white zinc-plated steel cam and insert

Application : Quarter-turn opening or closing

Remarks : Optional key K15-01C



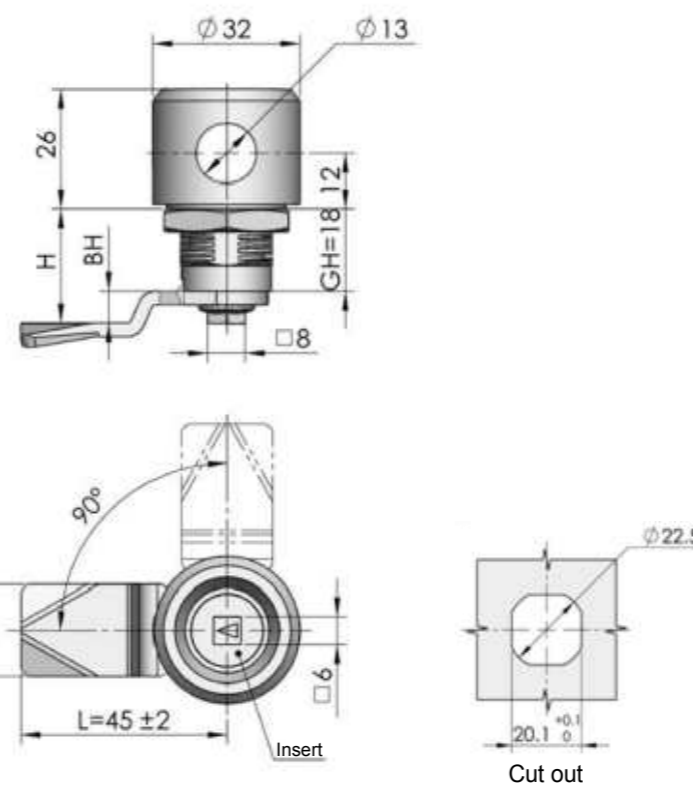
ERP **MS722Z3AT01001**
Remarks : ERP excludes cam (cutout square 8mm), cam optional refers to S1B cam list on P007



HP001 Handle pull (Optional)



WP002 Water-proof cap (Optional)



MS763



IP 54

Main material and finish : Black powder coated ZDC housing and insert, white zinc-plated steel cam

Application : Quarter-turn opening or closing

Remarks : Optional key K15 series

MS762

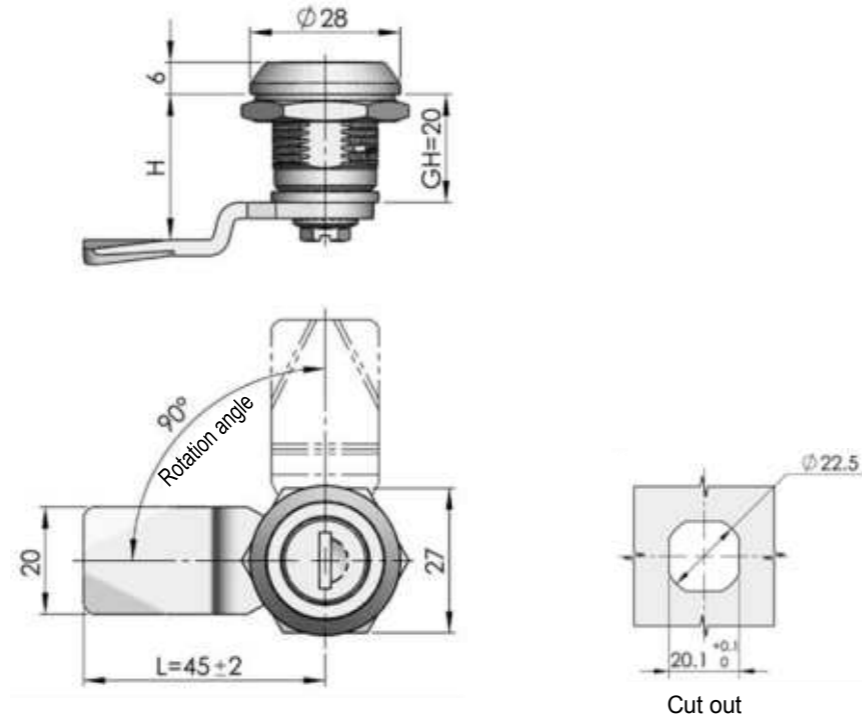


RL

Main material and finish : Bright chrome-plated ZDC housing and insert, white zinc-plated steel cam

Application : Quarter-turn opening or closing

Remarks : Default key K160



ERP **MS762Z3A160001**
Remarks : ERP excludes cam (cutout square 8mm), cam optional refers to S1B cam list on P007

ERP	Specification	
	Insert range	Optional key
MS763Z2AT02001	Double bit 4mm	K15-01A/K15-01F/K15-01E
MS763Z2AT01001	Double bit 3mm	K15-01A/K15-01F/K15-01E
MS763Z2AT03001	Hooked 4mm	K15-01A
MS763Z2AT04001	Triangular 8mm	K15-03A/K15-03F
MS763Z2AT07001	Square 8mm	K15-04B/K15-04F
MS763Z2AT08001	square 8mm with solt	K15-04B/K15-04F
MS763Z2AT05001	Square 6mm	K15-05B/K15-05F/K15-05A
MS763Z2AT06001	Square 7mm	K15-06A/K15-06F
MS763Z2AT09001	10mm Hexagon female	K15-07A/K15-07F
MS763Z2AT10001	Slot	
MS763Z2AT11001	11mm Hexagon male	K15-09A/K15-09F
MS763Z2AT12001	Thorn	K15-10A
MS763Z2AT13001	Flat Cylinder	K15-11A
MS763Z2AT14001	Triangular 7mm	K15-03A/K15-03F
MS763Z2AT15001	Triangular 9mm	
MS763Z2AT16001	Heptagon male	
MS763Z2AT17001	Triangular 10mm	
MS763Z2AT18001	Concave with solt	

Remarks : ERP excludes cam (cutout square 8mm), cam optional refers to S1B cam list on P007

Accessories
Handle lock
Cylinder lock
Electronic lock
Swing handle
Rod control lock
Panel lock
Toggle and hook
Handles
Door stop
Hinge
Seal gasket



MS805

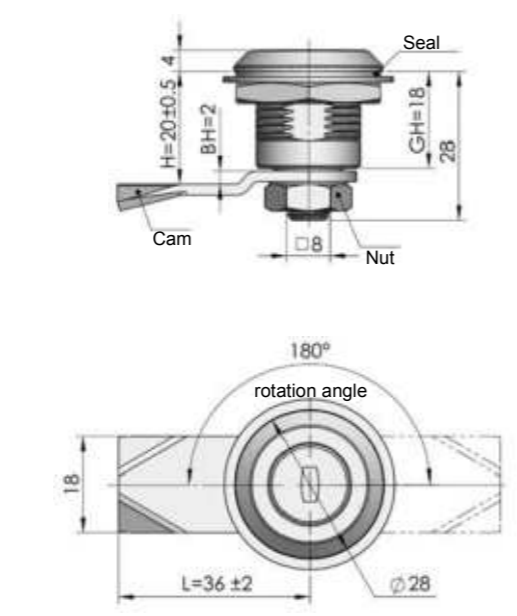
RL

Main material and finish : Black powder coated ZDC housing and insert, white zinc-plated steel cam

Application : 180 degree rotation opening or closing

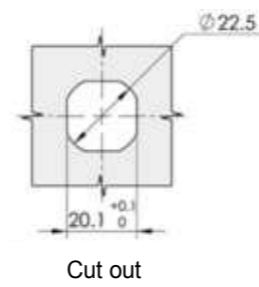
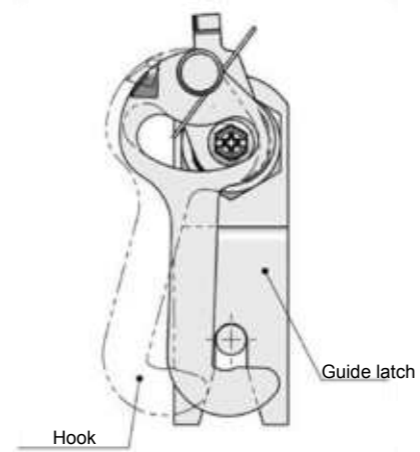
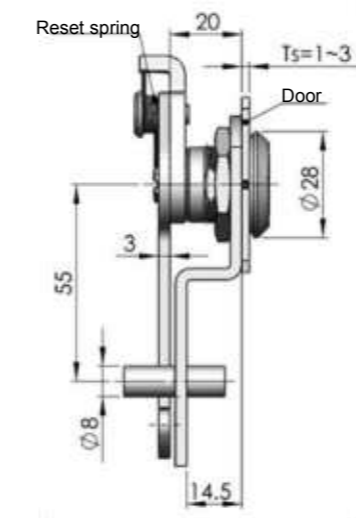
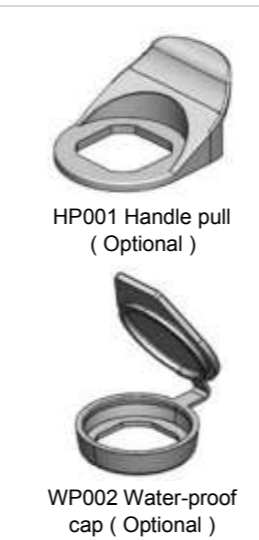
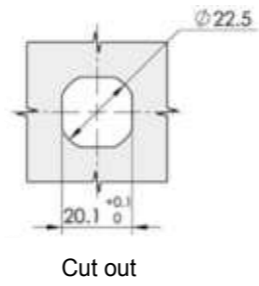
Remarks : Default key K040

Default cam : S1B36Y02001 (Ts=2)



ERP MS805Z1A040001

Remarks : ERP excludes cam



Remarks : Assembling prepared by user



MS816-4B

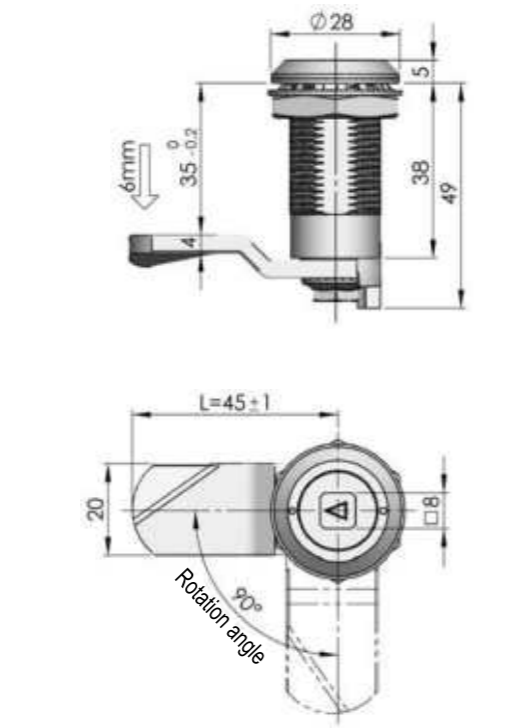
R L IP 54

Main material and finish : Stainless steel housing, insert and cam, white zinc-plated steel shaft

Application : Quarter-turn opening or closing, with function of locking

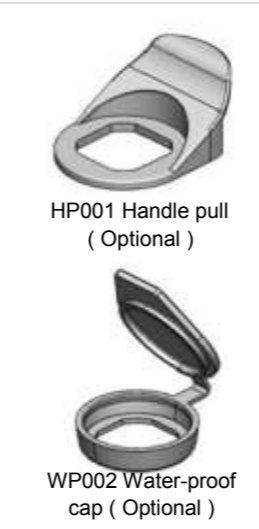
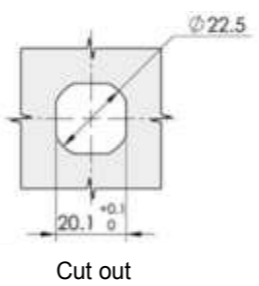
Remarks : Optional key K15 series

Default cam : S1M44N06001



ERP MS816S00T07009

Remarks : ERP excludes cam (cut out 10x8)



ERP	Specification	
	Insert range	Optional key
MS837Z3AT02001	Double bit 4mm	K15-01A/K15-01F/K15-01E
MS837Z3AT01001	Double bit 3mm	K15-01A/K15-01F/K15-01E
MS837Z3AT03001	Hooked 4mm	K15-01A
MS837Z3AT04001	Triangular 8mm	K15-03A/K15-03F
MS837Z3AT07001	Square 8mm	K15-04B/K15-04F
MS837Z3AT08001	square 8mm with solt	K15-04B/K15-04F
MS837Z3AT05001	Square 6mm	K15-05B/K15-05F/K15-05A
MS837Z3AT06001	Square 7mm	K15-06A/K15-06F
MS837Z3AT09001	10mm Hexagon female	K15-07A/K15-07F
MS837Z3AT10001	Slot	
MS837Z3AT11001	11mm Hexagon male	K15-09A/K15-09F
MS837Z3AT12001	Thorn	K15-10A
MS837Z3AT13001	Flat Cylinder	K15-11A
MS837Z3AT14001	Triangular 7mm	K15-03A/K15-03F



MS837

RL IP 54

Main material and finish : Bright chrome-plated ZDC housing and insert, white zinc-plated steel hook and guide latch

Application : by rotating to open or close, hook returns automatically

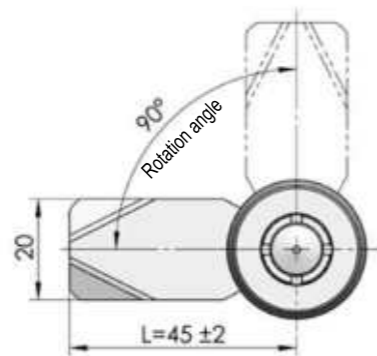
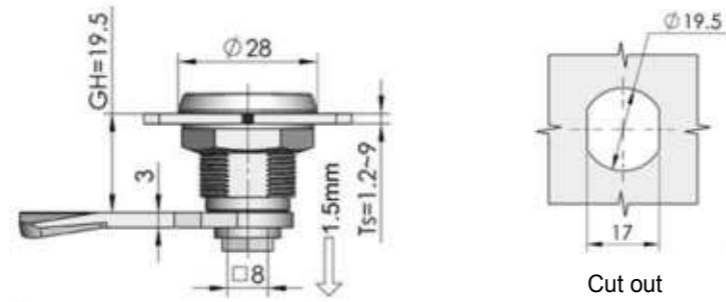
Remarks : Optional key K15 series

Accessories
 Handle lock
 Cylinder lock
 Electronic lock
 Swing handle
 Rod control lock
 Panel lock
 Toggle and hook
 Handles
 Door stop
 Hinge
 Seal gasket

MS734

RL

Main material and finish : Bright chrome-plated ZDC housing and insert, white zinc-plated steel cam
Application : Quarter-turn opening or closing, with function of locking
Remarks : Optional key K15-12



ERP MS734Z3AT12001

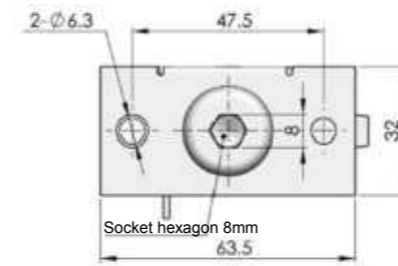
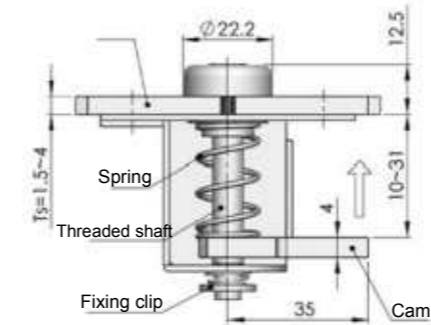
Remarks : ERP excludes cam (cutout square 8mm), cam optional refers to S1B cam list on P007



HP002 (Optional)



HP003 (Optional)



ERP MS735F3D000002

Remarks : ERP excludes cam

MS735



Main material and finish : White zinc-plated steel lock body.
Application : Quarter-turn opening or closing, with function of locking

Default cam : S1S35Y00001

MS735-2



Main material and finish : Trivalent zinc-plated steel lock body.
Application : Quarter-turn opening or closing

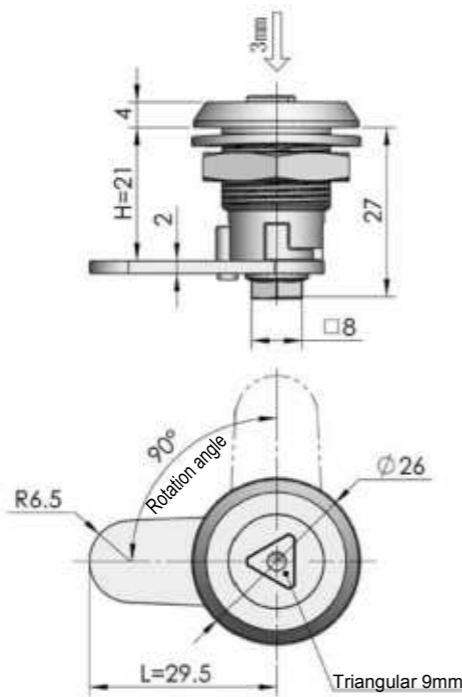
Default cam : S1S25Y00001

MS761

RL

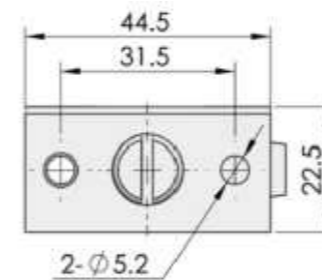
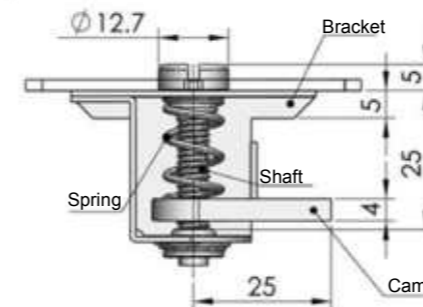
Main material and finish : Bright chrome-plated ZDC housing and steel insert, white zinc-plated steel cam
Application : Quarter-turn opening or closing, with function of locking
Remarks : Optional key K15-04A

Default cam : S1B29Y00005



ERP MS761Z3AT04001

Remarks : ERP excludes cam



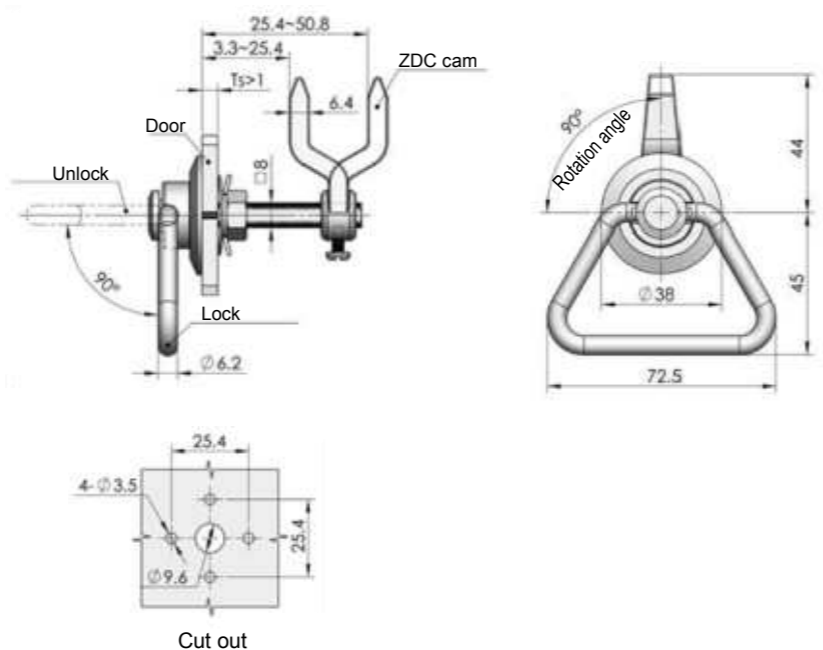
ERP MS735F3E000001

Remarks : ERP excludes cam

Accessories
Handle lock
Cylinder lock
Electronic lock
Swing handle
Rod control lock
Panel lock
Toggle and hook
Handles
Door stop
Hinge
Seal gasket



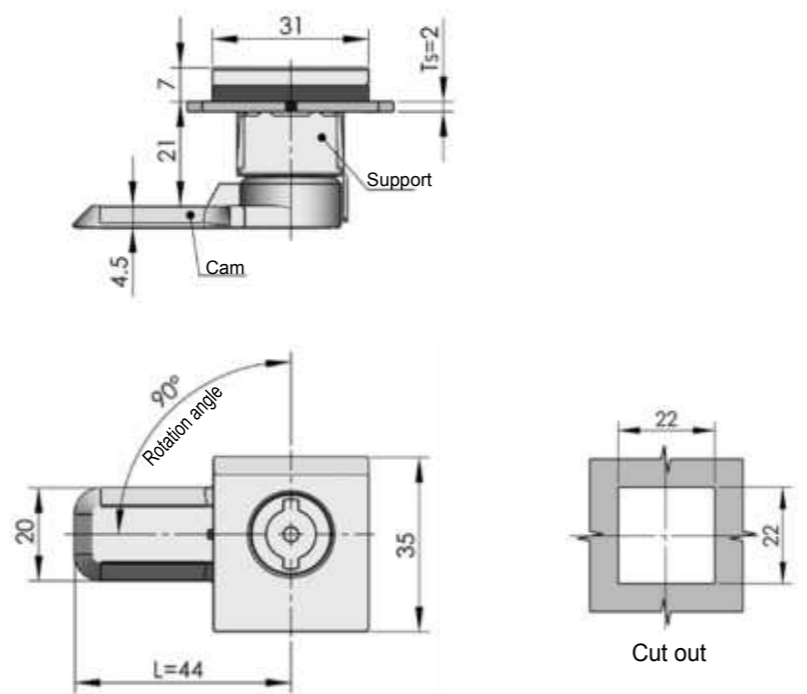
MS739
Main material and finish : White zinc-plated steel handle, shaft, screw and ZDC cam
Application : Handle 360 degree rotation, Height adjustable



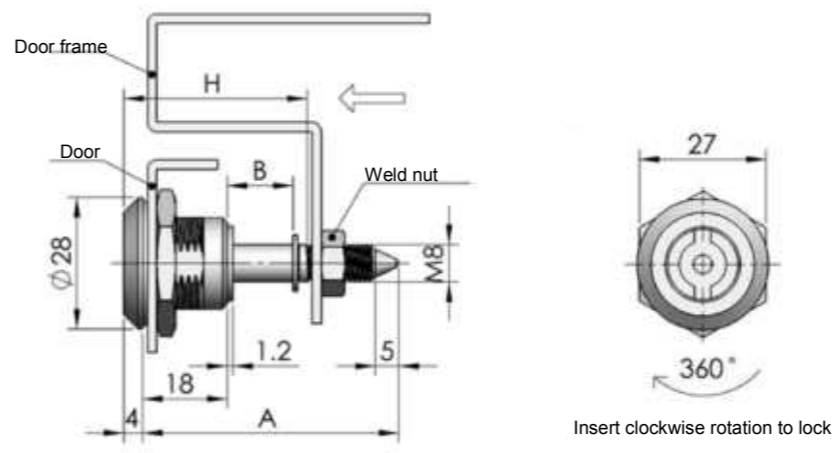
ERP MS739Z3D000001



MS813
RL IP 54
Main material and finish : Yellow-gray ZDC housing, bright chrome-plated ZDC insert, white zinc-plated ZDC cam
Application : Quarter-turn opening or closing
Remarks : Optional key K15-01C



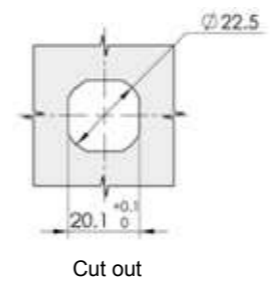
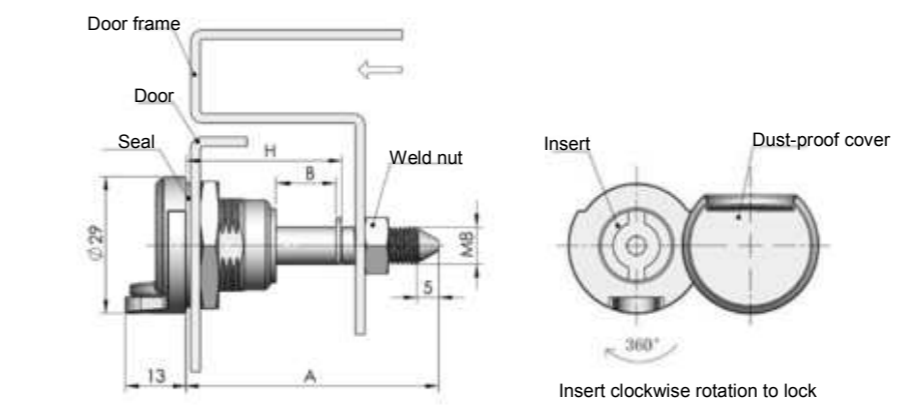
	ZDC	Full S.S.
	MS813Z1ET01001	MS813S1BT01001



MS704-1A



Main material and finish : Bright chrome-plated ZDC housing and steel insert
Application : 360 degree opening or closing, with function of locking
Remarks : Optional key K15-01C



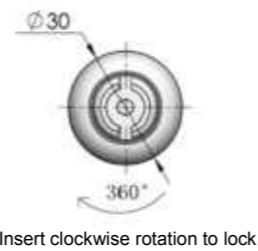
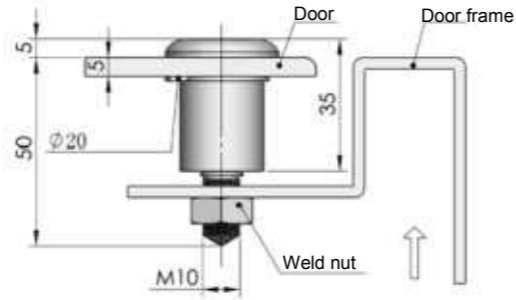
Specification	ERP		
	ZDC housing	Lead sealable housing	PA housing
A=40 B=2.5 H=23	MS704Z3AT02001	MS704Z3HT02004	MS704N00T02001
A=46 B=7.5 H=28	MS704Z3AT02002	MS704Z3HT02005	MS704N00T02002
A=54 B=13.5 H=34	MS704Z3AT02003	MS704Z3HT02006	MS704N00T02003

Accessories
 Handle lock
 Cylinder lock
 Electronic lock
 Swing handle
 Rod control lock
 Panel lock
 Toggle and hook
 Handles
 Door stop
 Hinge
 Seal gasket

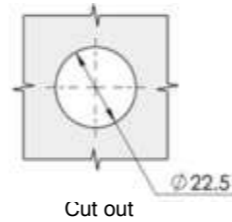
MS704-2



Main material and finish : Bright chrome-plated steel housing and insert
Application : 360 degree rotation opening or closing, with function of locking
Remarks : Optional key K15-01C

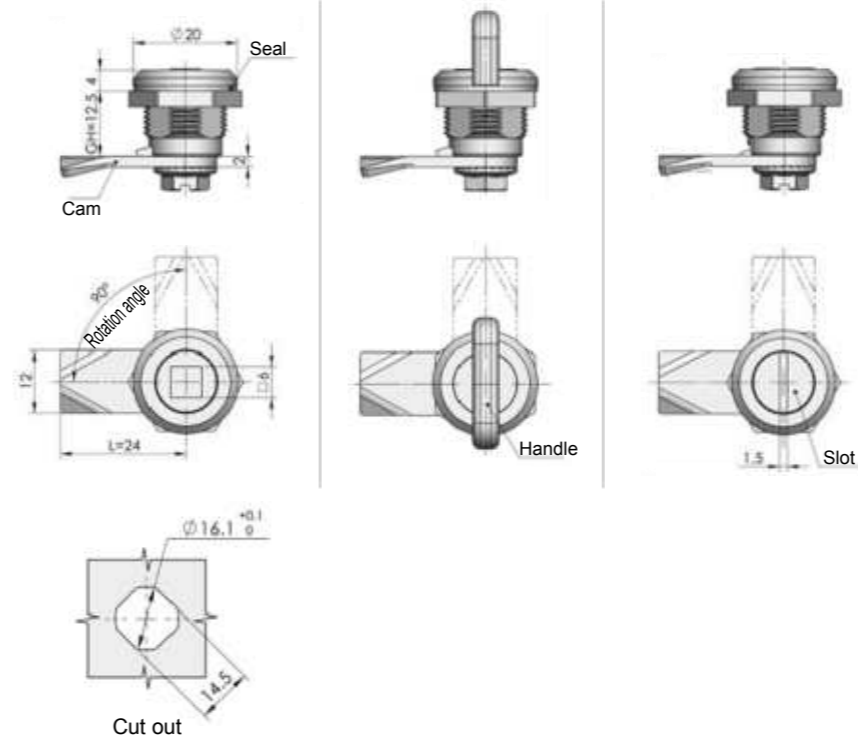


Insert clockwise rotation to lock



Cut out

ERP	MS704Z3AT02011
-----	----------------



	Square 6mm	Slot	Handle
ERP	MS845Z1AT05001	MS845Z1AT10001	MS845Z1A000004

Remarks : ERP excludes cam (cutout square 6X6)

MS845-1



RL IP 54

Main material and finish : Black powder coated ZDC housing and insert, white zinc-plated steel cam
Application : Quarter-turn opening or closing

Default cam : S1V24Y00002

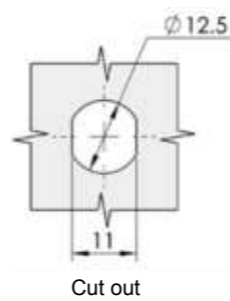
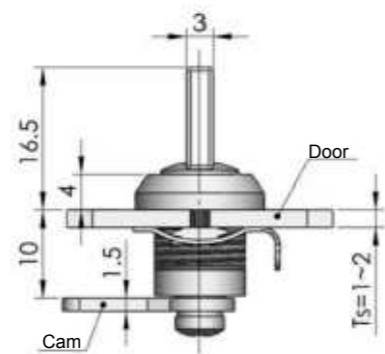
Accessories
 Handle lock
 Cylinder lock
 Electronic lock
 Swing handle
 Rod control lock
 Panel lock
 Toggle and hook
 Handles
 Door stop
 Hinge
 Seal gasket

MS844



Main material and finish : Bright chrome-plated ZDC housing and handle, white zinc-plated steel cam
Application : Quarter-turn opening or closing

Default cam : S1W16Y00001



Cut out

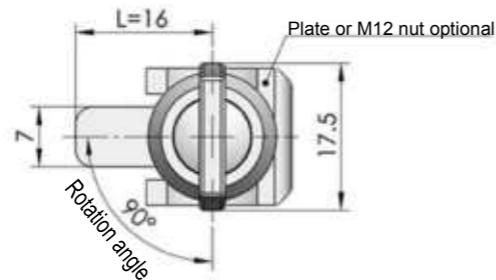
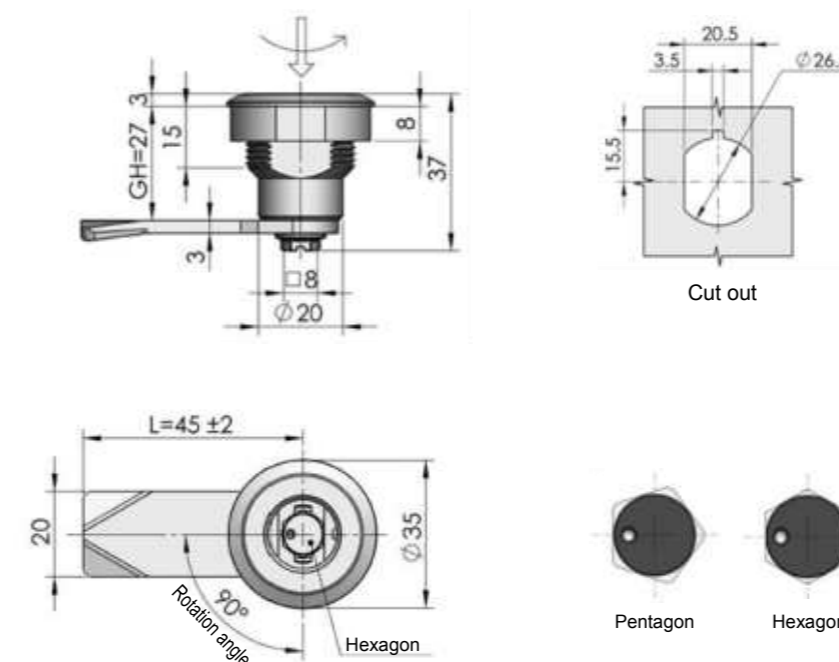


	Plate	Nut
ERP	MS844Z3A000001	MS844Z3A000002

Remarks : ERP excludes cam (Cutout 4.6x3.6)



	Pentagon	Hexagon
ERP	MS750Z3AT19001	MS750Z3AT11001

Remarks : ERP excludes cam , cam optional refers to S1B cam list on P007

MS750



Main material and finish : Bright chrome-plated ZDC housing and insert, white zinc-plated steel cam

Application : Quarter-turn opening or closing

Remarks : Optional key K15-19 (Socket pentagon) or K15-25 (Socket hexagon)

Accessories
Handle lock
Cylinder lock
Electronic lock
Swing handle
Rod control lock
Panel lock
Toggle and hook
Handles
Door stop
Hinge
Seal gasket

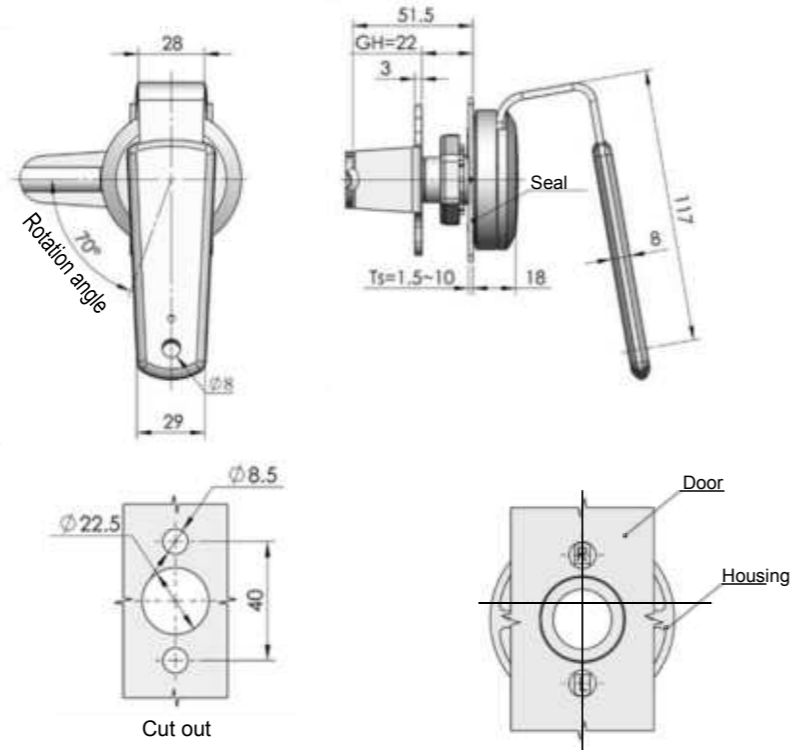
MS812-1



RL IP 54

Main material and finish : Bright chrome-plated ZDC housing and insert, white zinc-plated steel cam

Application : 70 degree rotation opening or closing



ERP MS812Z3A000001

Remarks : ERP excludes cam (Cutout square 10mm), cam optional refers to S3C cam list on P012

Remarks : Housing rotate 180° for installing. the picture shows the product and panel after installing

MS812-2

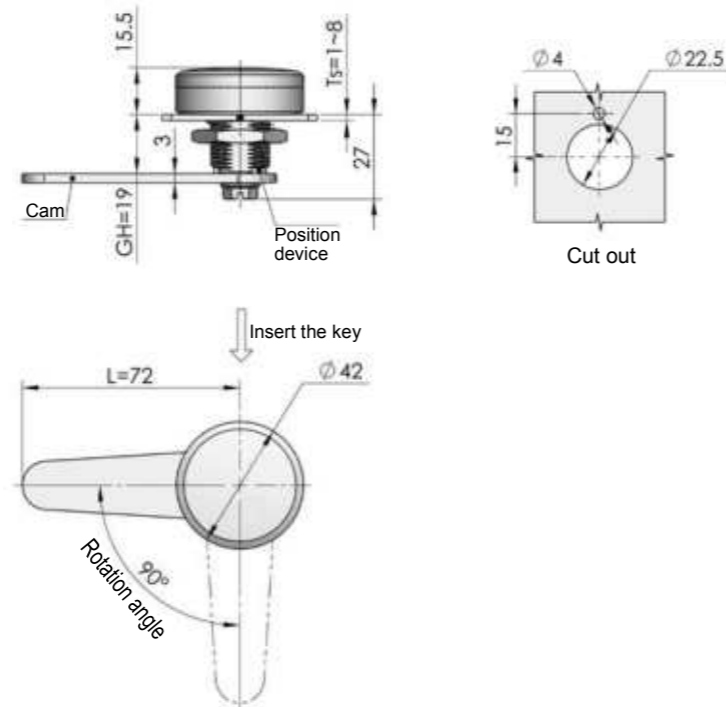


RL IP 54

Main material and finish : Bright chrome-plated ZDC housing and insert, white zinc-plated steel cam

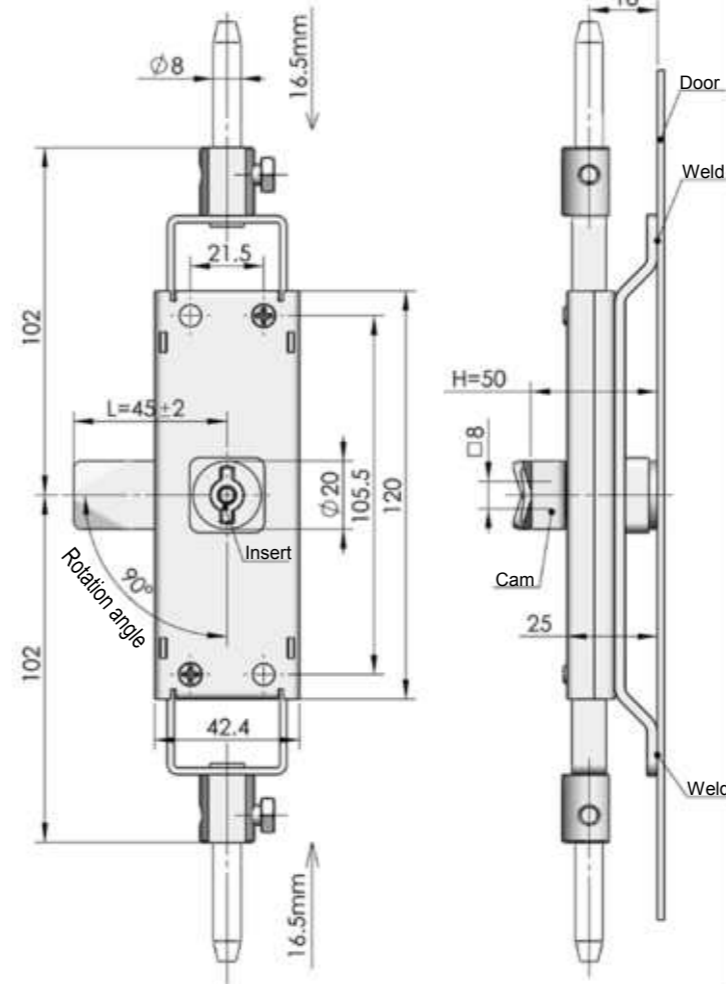
Application : Quarter-turn opening or closing

Default cam : S1B72Y00001



ERP MS812Z3A000002

Remarks : ERP excludes cam (Cutout square 10mm)



ERP MS801F3DT02001

Remarks : ERP excludes cam, cam optional refers to S1B cam list on P007

MS801-1



Main material and finish : White zinc-plated steel lock body, ABS plastic cover
Application : Insert quarter-turn rotation combines with cam and rod latch
Remarks : Optional key K15-01C

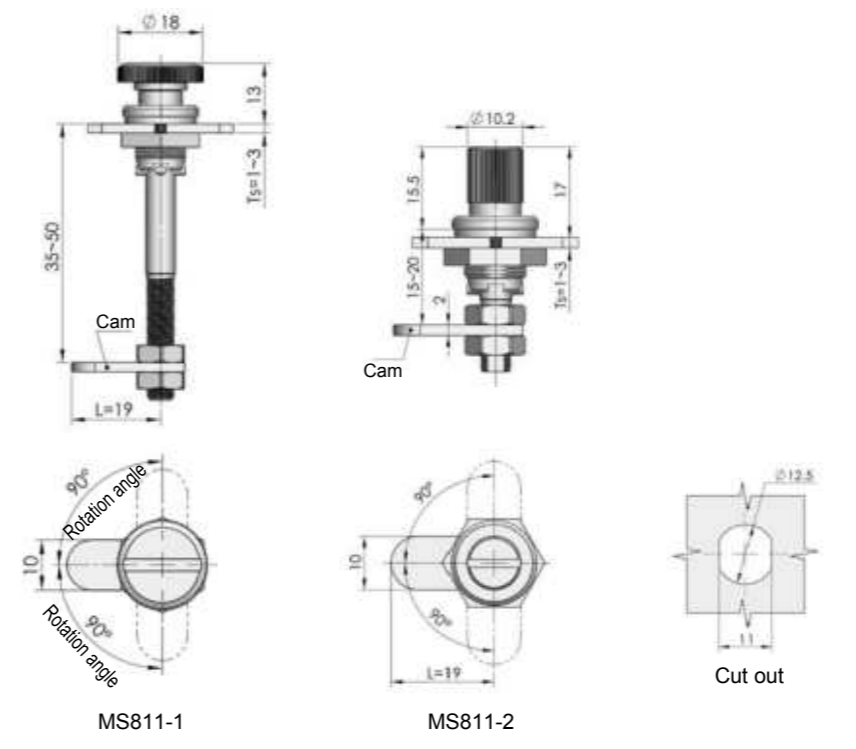
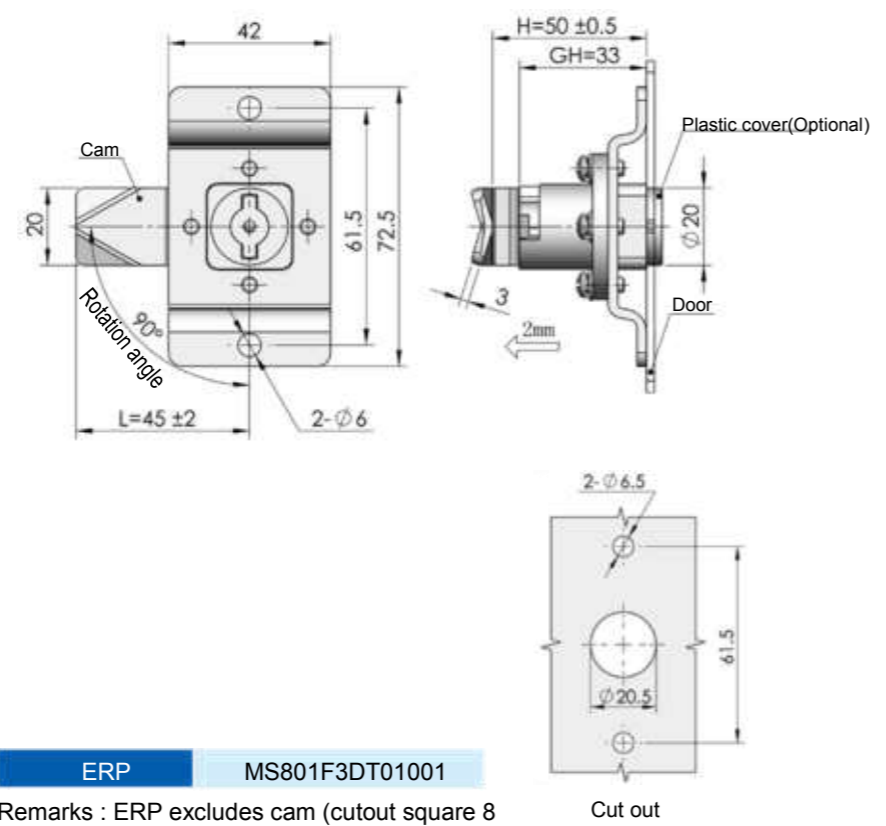
Accessories
Handle lock
Cylinder lock
Electronic lock
Swing handle
Rod control lock
Panel lock
Toggle and hook
Handles
Door stop
Hinge
Seal gasket

Accessories
 Handle lock
 Cylinder lock
 Electronic lock
 Swing handle
 Rod control lock
 Panel lock
 Toggle and hook
 Handles
 Door stop
 Hinge
 Seal gasket

MS801-2



Main material and finish : White zinc-plated steel lock body, ABS plastic cover
Application : Quarter-turn opening or closing
Remarks : Optional key K15-01C



MS811-1

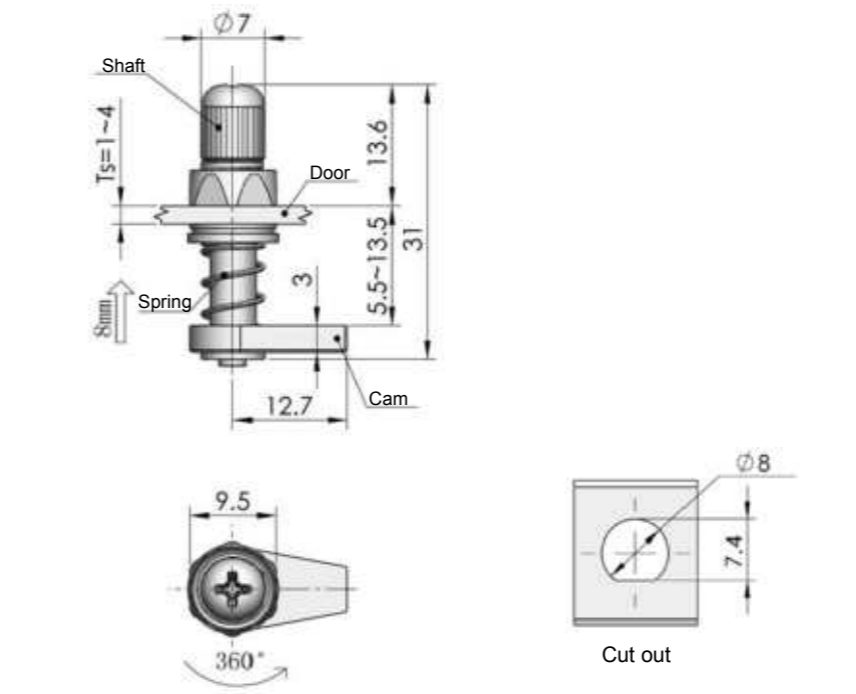
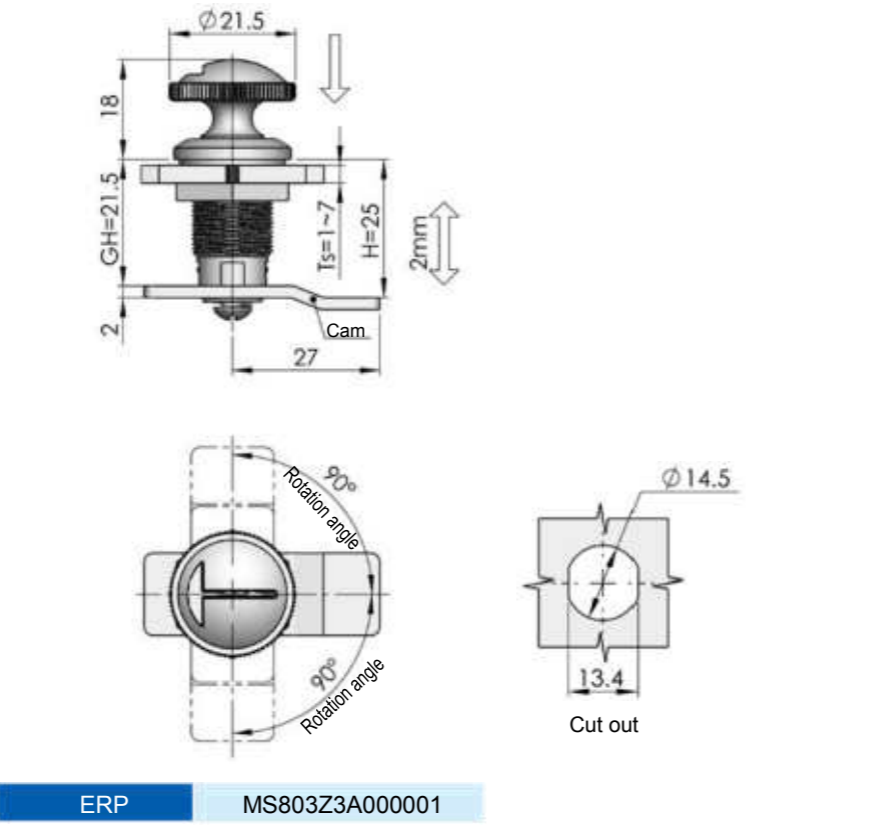


RL
Main material and finish : Bright chrome-plated steel housing and handle, white zinc-plated steel cam
Application : Quarter-turn opening or closing, with function of locking automatically
Default cam : S1W19Y00002

MS803



RL
Main material and finish : Bright chrome-plated ZDC housing and handle, white zinc-plated steel cam
Application : Quarter-turn opening or closing, with function of locking automatically
Default cam : S1K27N05001



MS811-3



RL
Main material and finish : Trivalent zinc-plated steel housing, handle and cam
Application : Handle 360 degree, rotation with function of locking
Default cam : S1S13Y00002

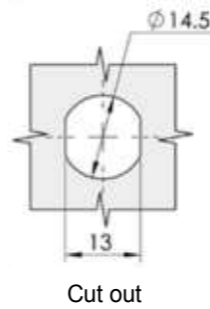
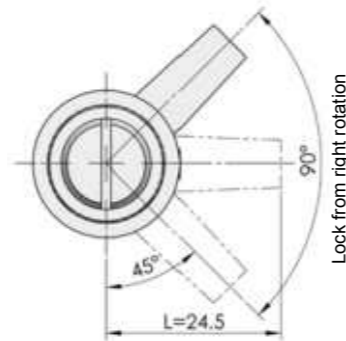
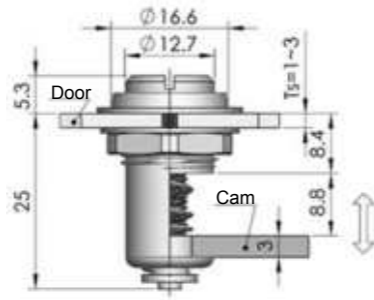
Accessories
 Handle lock
 Cylinder lock
 Electronic lock
 Swing handle
 Rod control lock
 Panel lock
 Toggle and hook
 Handles
 Door stop
 Hinge
 Seal gasket

MS811-4



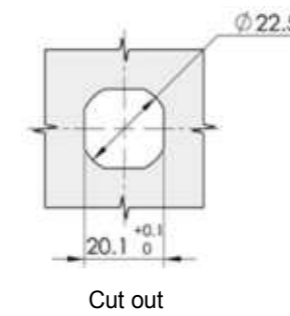
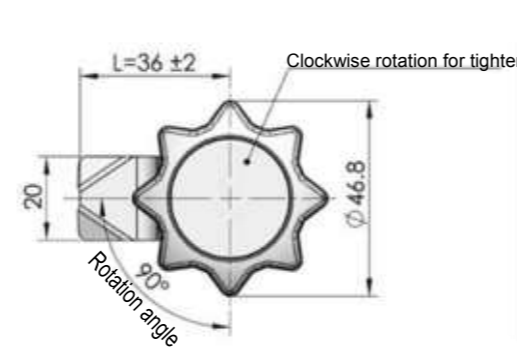
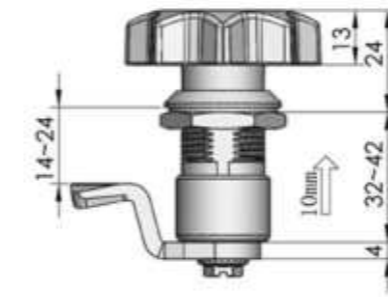
Main material and finish : White zinc-plated ZDC housing, white zinc-plated steel cam and shaft
 Application : Quarter-turn opening or closing, with function of locking

Default cam : S1S25Y00002



	Lock from left rotation	Lock from right rotation
ERP	MS811Z3D000008	MS811Z3D000007

Remarks : ERP excludes cam



ERP	MS811Z2B000001
-----	----------------

Remark:ERP excludes cam

MS811-6



Main material and finish : Nanometer-painted ZDC button and housing, nanometer-painted aluminum cover, white-zinc-plated cam
 Application : Quarter-turn opening or closing, with function of locking

Default cam : S1M36Y14001

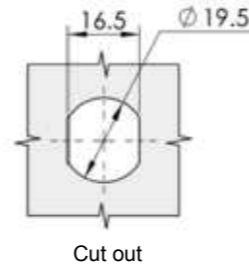
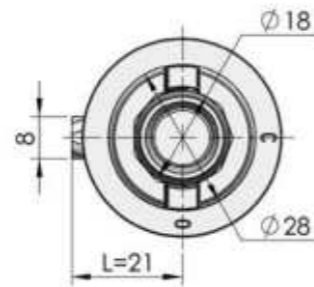
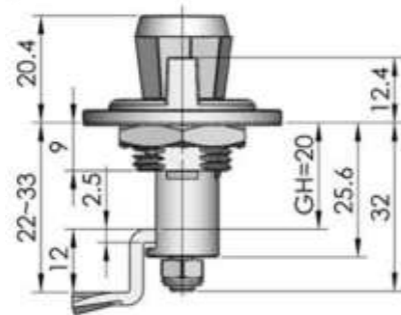
Accessories
 Handle lock
 Cylinder lock
 Electronic lock
 Swing handle
 Rod control lock
 Panel lock
 Toggle and hook
 Handles
 Door stop
 Hinge
 Seal gasket

MS811-5



Main material and finish : PA handle and housing, white zinc-plated steel cam
 Application : Quarter-turn opening or closing, with function of locking

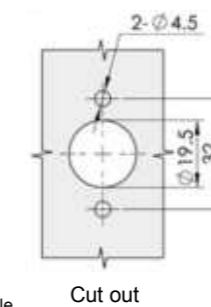
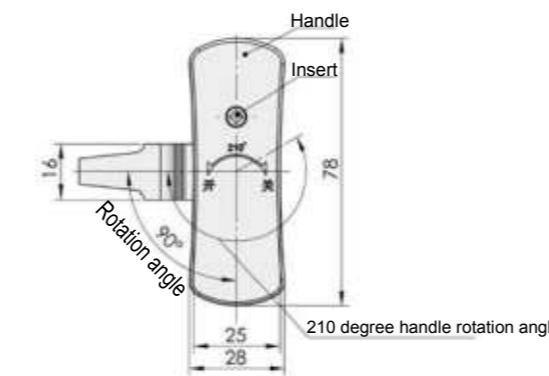
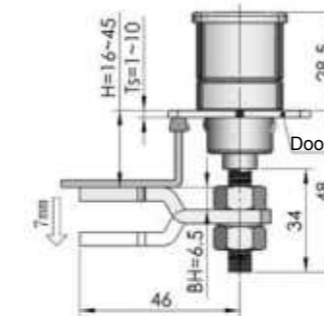
Default cam : S1S21Y12001



Remarks : Quarter-turn rotation to realize LH or RH

ERP	MS811N00000009
-----	----------------

Remarks : ERP excludes cam



ERP	MS822Z1A000001
-----	----------------

Remarks : ERP excludes cam (cutout 8x6.5)

MS822



Main material and finish : Black powder coated ZDC housing and handle, white zinc-plated steel cam ,insert and shaft
 Application : Quarter-turn opening or closing, adjustable, with function of locking

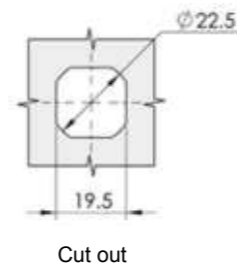
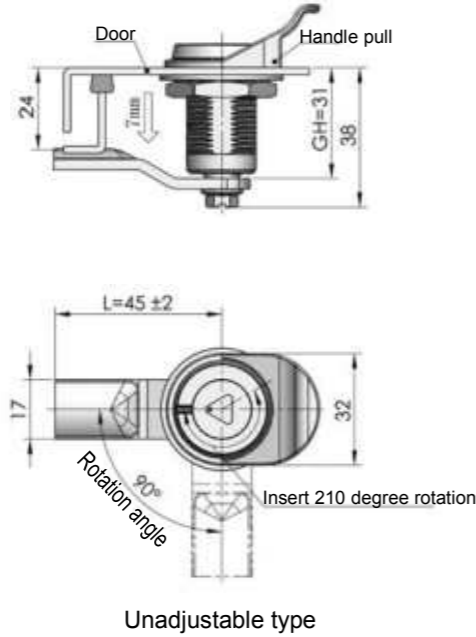
Default cam : S1K46Y07001

MS816-1

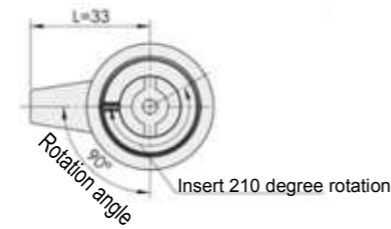
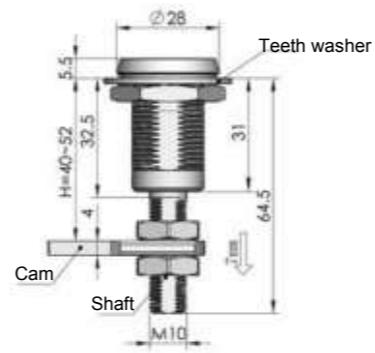


Main material and finish : Blue-gray powder coated ZDC housing and insert, white zinc-plated steel cam, PA handle pull
Application: Cam quarter-turn to open or close, with function of locking
Remarks: Optional key K15 series

Default cam : S1B45N07005(Unadjustable)
 S1M33Y00002(Adjustable Ts=4)

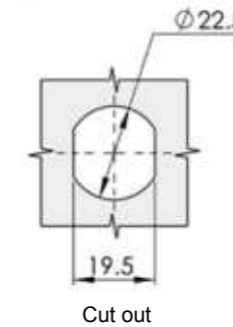
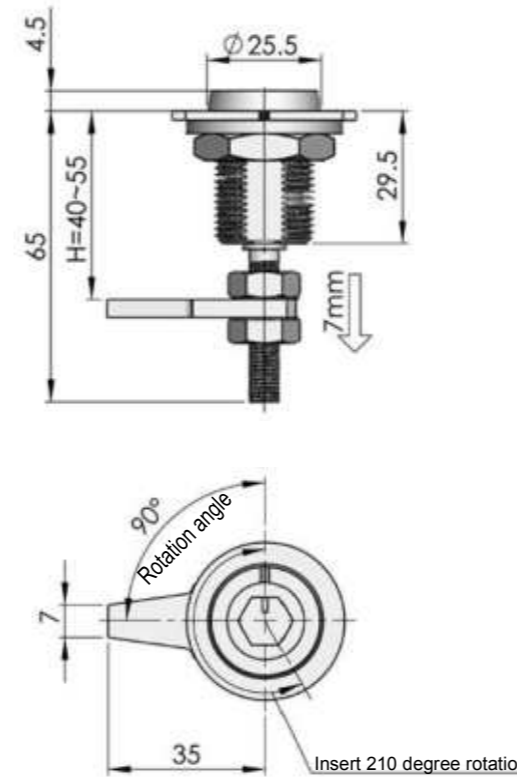


Remarks : Inserts sketch refers to inserts list 2 on P060



Specification	ERP		
	Unadjustable type	Adjustable type	Full threaded housing and adjustable
8mm Triangle	MS816Z1DT04001	MS816Z1DT04003	MS816Z1DT04006
S Hook	MS816Z1DT03001	MS816Z1DT03003	MS816Z1DT03006
8mm Socket hexagon	MS816Z1DT24001	MS816Z1DT24003	MS816Z1DT24006
10mm Hexagon	MS816Z1DT25001	MS816Z1DT25003	MS816Z1DT25006
8mm Square	MS816Z1DT07001	MS816Z1DT07003	MS816Z1DT07006
7mm Square	MS816Z1DT06001	MS816Z1DT06003	MS816Z1DT06006
9mm Square	MS816Z1DT26001	MS816Z1DT26003	MS816Z1DT26006
Slot	MS816Z1DT10001	MS816Z1DT10003	MS816Z1DT10006
7mm Triangle	MS816Z1DT14001	MS816Z1DT14003	MS816Z1DT14006
Abnormal	MS816Z1DT21001	MS816Z1DT21003	MS816Z1DT21006

Remarks : ERP excludes cam (cutout square 8mm)



Remarks : Inserts sketch refers to inserts list 2 on P060

Specification	ERP	Optional key
10mm Hexagon	MS816Z1DT25004	K15-09A · K15-09F
8mm Triangle	MS816Z1DT04004	K15-03A · K15-03F
8mm Square	MS816Z1DT07004	K15-04B · K15-04F
7mm Square	MS816Z1DT06004	K15-06A · K15-06F
9mm Square	MS816Z1DT26004	
7mm Triangle	MS816Z1DT14004	K15-03A · K15-03F

Remarks : ERP excludes cam (cutout 8x6.5)

MS816-2



Main material and finish : Blue-gray powder coated ZDC housing and insert, white zinc-plated steel cam, PA handle pull
Application: Cam quarter-turn to open or close, with function of locking
Remarks: Optional key K15 series

Default cam : S1K35Y00002 (Ts=4)

Accessories
Handle lock
Cylinder lock
Electronic lock
Swing handle
Rod control lock
Panel lock
Toggle and hook
Handles
Door stop
Hinge
Seal gasket

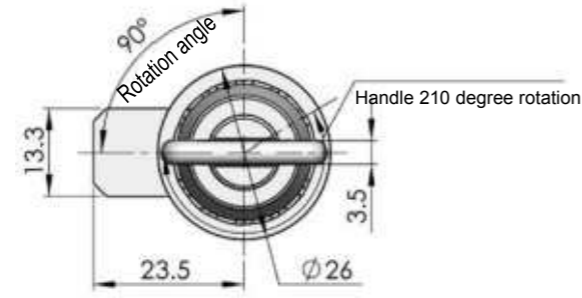
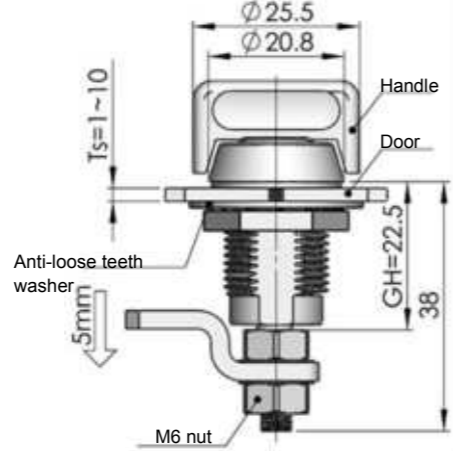
MS816-3S-1



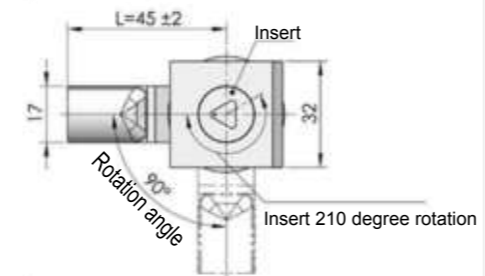
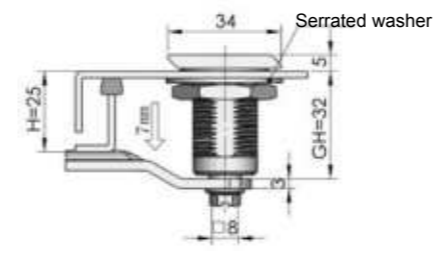
MS816-3S-2



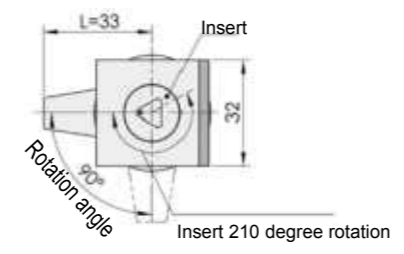
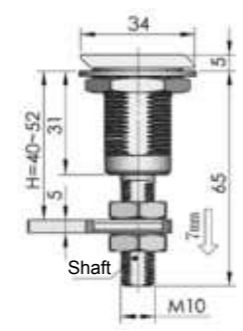
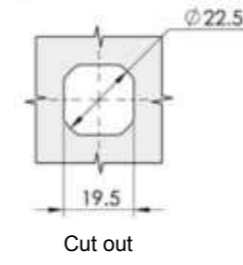
Main material and finish: Black painted ZDC housing, insert and handle, white zinc-plated steel cam, PA water-proof cap
Application: Cam Quarter-turn to open or close, with function of locking



WP004(Optional)



Unadjustable type



Adjustable type

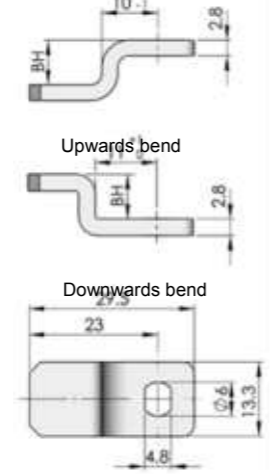
MS817



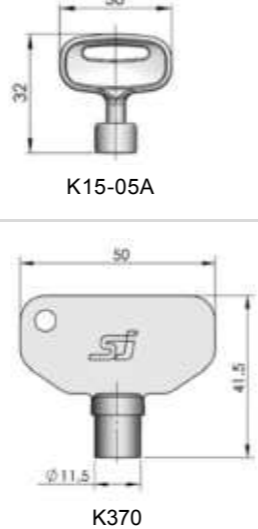
Main material and finish: Black powder coated ZDC housing and insert, white zinc plated steel cam
Application: Cam Quarter-turn to open or close, with function of locking
Remarks: Optional key K15

Default cam : S1K45N07016(Unadjustable)
 S1M33Y00002(Adjustable Ts=4)

Cam(Optional)



key(Optional)



Remarks: Please refer to cam list on P009

Specification	ERP	Optional key
Handle		
6mm Square	MS816Z2A000001	K15-05A
Abnormal	MS816Z2AT05001	K370
Slot	MS816Z2AT21001	
	MS816Z2AT18001	

Remarks: ERP excludes cam (Cutout 6x4.7)

Remark: Inserts sketch refers to insert list 2 on P060

Specification	ERP		Optional key
	Non-adjustable	Adjustable	
8mm Triangle	MS817Z1AT04001	MS817Z1AT04002	K15-03A · K15-03F K15-01A
S Hook	MS817Z1AT03001	MS817Z1AT03002	
8mm Socket hexagon	MS817Z1AT24001	MS817Z1AT24002	
10mm Hexagon	MS817Z1AT25001	MS817Z1AT25002	K15-09A · K15-09F
8mm Square	MS817Z1AT07001	MS817Z1AT07002	K15-04B · K15-04F
7mm Square	MS817Z1AT06001	MS817Z1AT06002	K15-06A · K15-06F
9mm Square	MS817Z1AT26001	MS817Z1AT26002	
Slot	MS817Z1AT10001	MS817Z1AT10002	
7mm Triangle	MS817Z1AT14001	MS817Z1AT14002	K15-03A · K15-03F K370
	MS817Z1AT21001	MS817Z1AT21002	

Remarks : ERP excludes Cam

Accessories
Handle lock
Cylinder lock
Electronic lock
Swing handle
Rod control lock
Panel lock
Toggle and hook
Handles
Door stop
Hinge
Seal gasket



MS823-1

MS823-1A

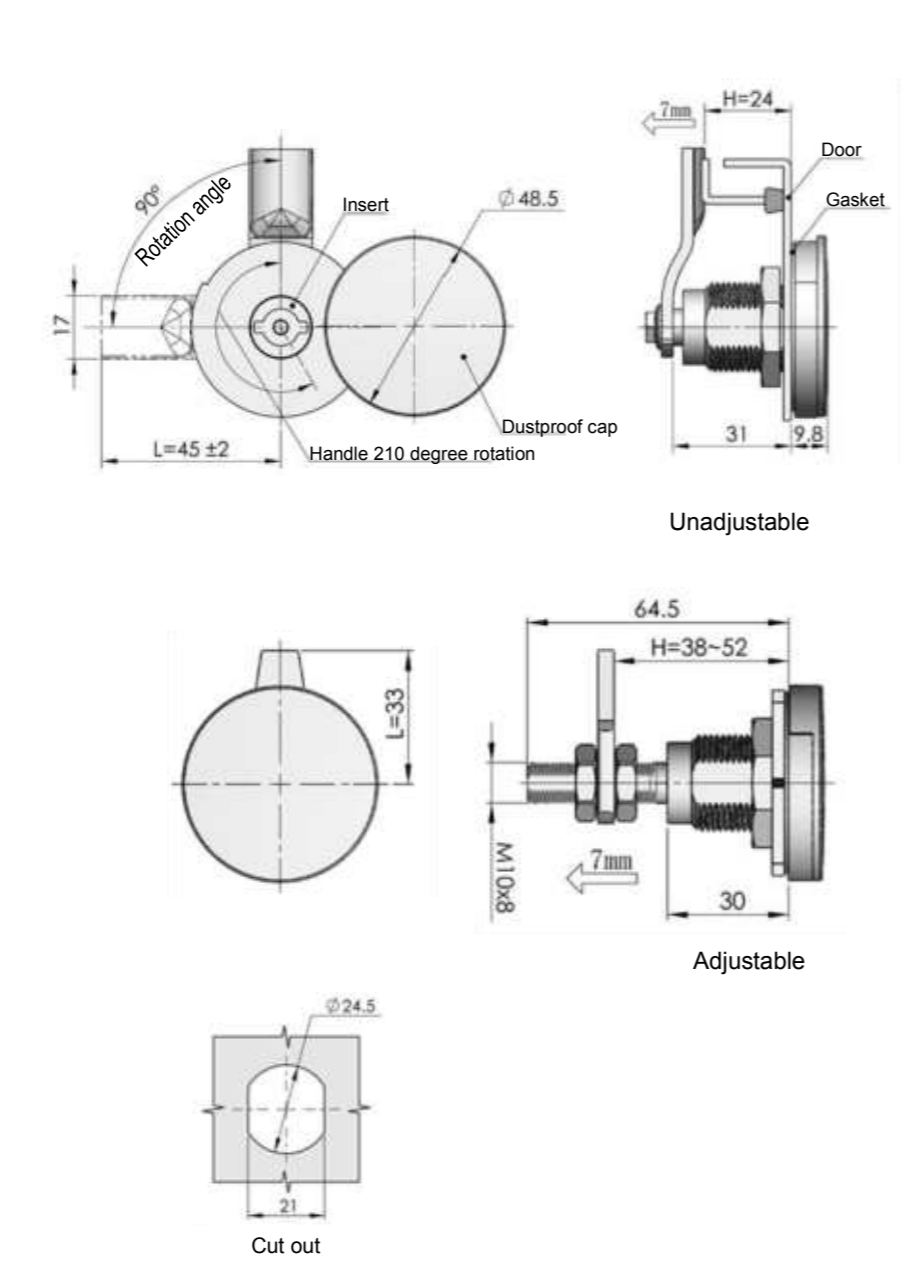
R **L** **IP 54**

Main material and finish: Bright chrome-plated ZDC housing and insert, white zinc plated steel cam

Application: Cam quarter-turn to open or lock, with function of locking

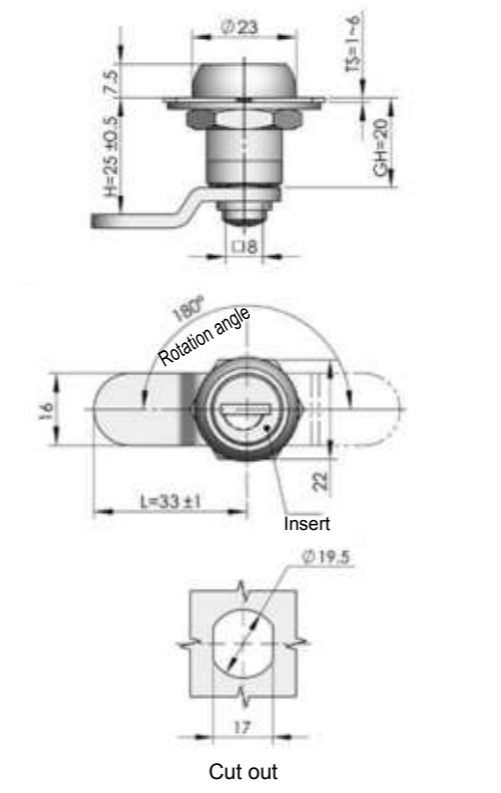
Remarks : Optional key K15

Default cam : [S1B45N07005\(Unadjustable\)](#)
[S1M33Y00002\(Adjustable Ts=4\)](#)



Specification	ERP		Optional key
	Non-adjustable	Adjustable	
8mm Triangle	MS823Z3AT04001	MS823Z3AT04002	K15-03A · K15-03F
S Hook	MS823Z3AT03001	MS823Z3AT03002	K15-01A
8mm Socket hexago	MS823Z3AT24001	MS823Z3AT24002	
10mm Hexagon	MS823Z3AT25001	MS823Z3AT25002	K15-09A · K15-09F
8mm Square	MS823Z3AT07001	MS823Z3AT07002	K15-04B · K15-04F
7mm Square	MS823Z3AT06001	MS823Z3AT06002	K15-06A · K15-06F
9mm Square	MS823Z3AT26001	MS823Z3AT26002	
Slot	MS823Z3AT10001	MS823Z3AT10002	
7mm Triangle	MS823Z3AT14001	MS823Z3AT14002	K15-03A · K15-03F
Abnormal	MS823Z3AT21001	MS823Z3AT21002	K310

Remarks : ERP excludes cam (cutout $\varnothing 8 \times 6.5$)



ERP MS706Z3A130003

Remarks : ERP excludes Cam



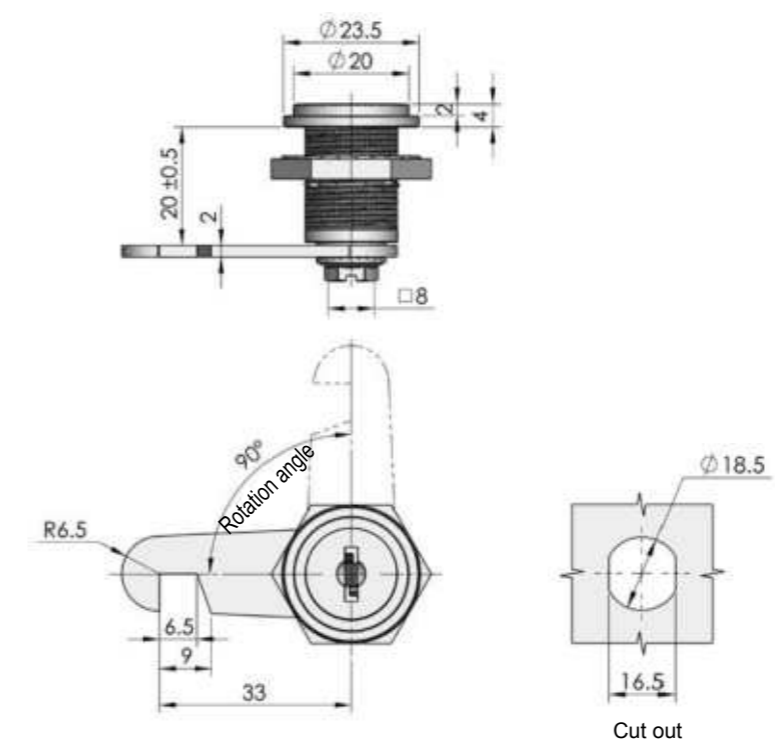
MS706

Main material and finish: Bright chrome plated ZDC housing and insert, white zinc plated steel cam

Application: Cam 180 degree rotation to open or lock

Remarks: Default key K130

Default cam : [S1B33Y06002](#)



ERP MS809Z3A230001

Remarks : ERP excludes Cam



RL

Main material and finish: Bright chrome-plated ZDC housing and insert, white zinc-plated steel cam

Application: Quarter-turn opening or closing

Remarks: Default key K230

Default cam : [S1B40Y00004](#)



MS729-1 MS729-2 MS729-3

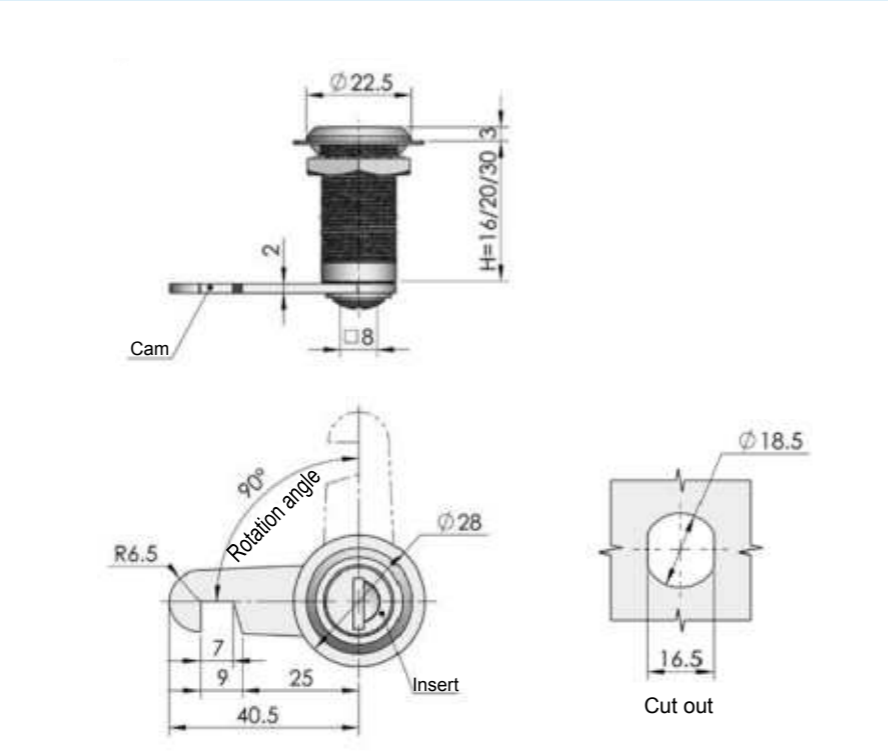
RL

Main material and finish: Bright chrome plated ZDC housing and insert, white zinc plated steel cam

Application: Quarter-turn opening or closing

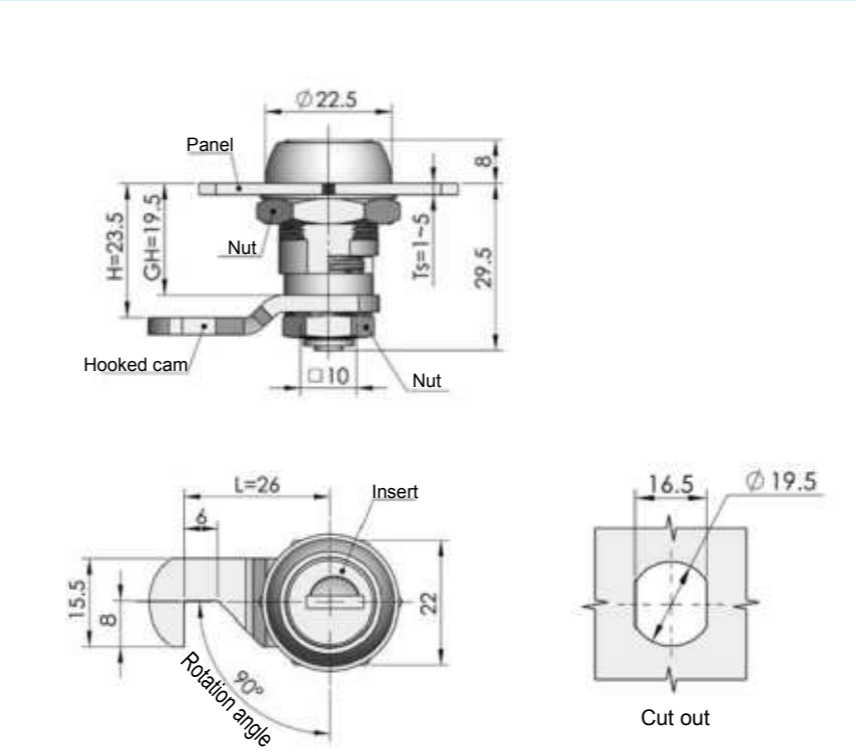
Remarks: Default key K420

Default cam : S1B40Y00001



	Housing H=16	Housing H=20	Housing H=30
ERP	MS729Z3A420001	MS729Z3A420002	MS729Z3A420003

Remarks : ERP excludes Cam



ERP	MS741Z3A160001
-----	----------------

Remarks : ERP excludes Cam



MS741

R

Main material and finish: Bright chrome-plated ZDC housing and insert, white zinc plated steel cam

Application: Quarter-turn opening or closing, with function of locking automatically

Remarks: Default key K160

Default cam : S1C32Y04001



MS733

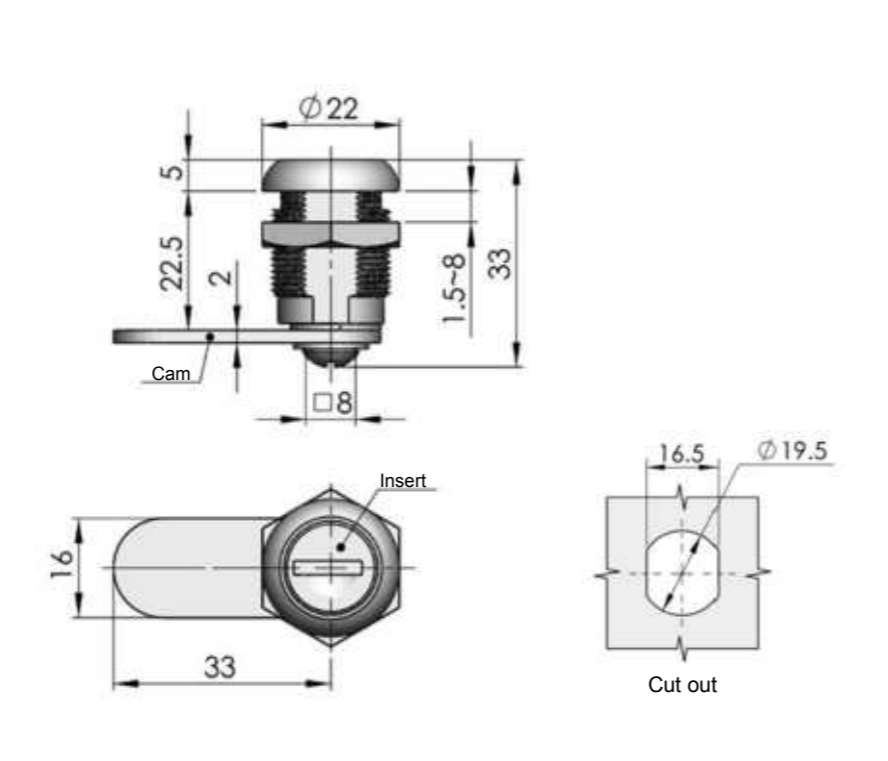
RL

Main material and finish: Bright chrome-plated ZDC housing and insert, white zinc-plated steel cam

Application: Quarter-turn opening or closing

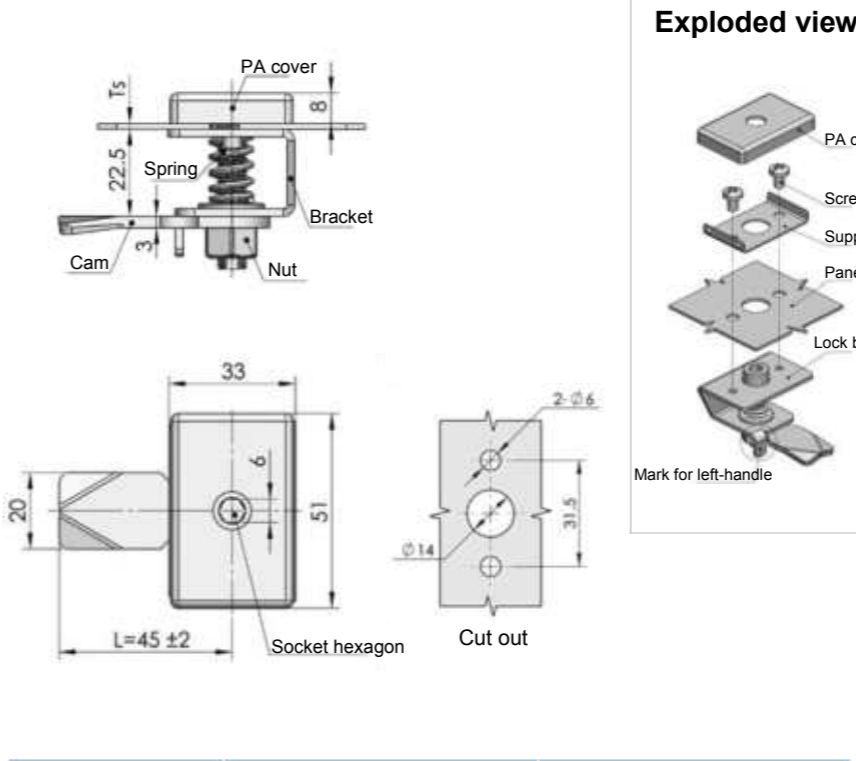
Remarks: Default key K430

Default cam : S1B33Y00005



ERP	MS733Z3A430006
-----	----------------

Remarks : ERP excludes Cam



	Close from left rotation	Close from right rotation
ERP	MS742F3D000001	MS742F3D000002

Remarks : ERP excludes Cam



MS742

RL

Main material and finish: White zinc-plated steel housing cam and shaft , PA cap

Application: Quarter-turn opening or closing

Default cam : S1K45Y00001

Accessories
 Handle lock
 Cylinder lock
 Electronic lock
 Swing handle
 Rod control lock
 Panel lock
 Toggle and hook
 Handles
 Door stop
 Hinge
 Seal gasket

MS743



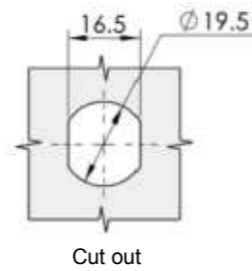
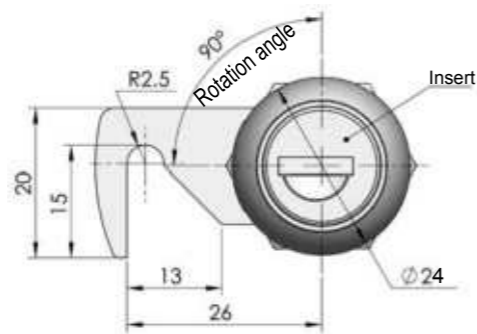
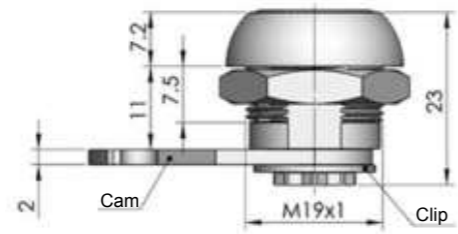
IP 40

Main material and finish: Bright chrome-plated ZDC housing, white zinc-plated steel cam

Application: Quarter-turn opening or closing

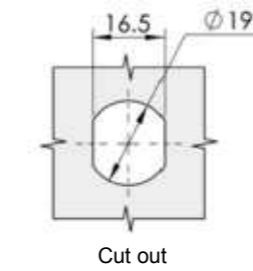
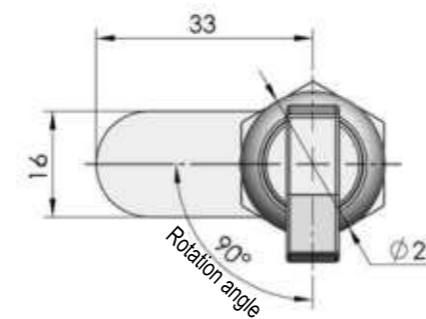
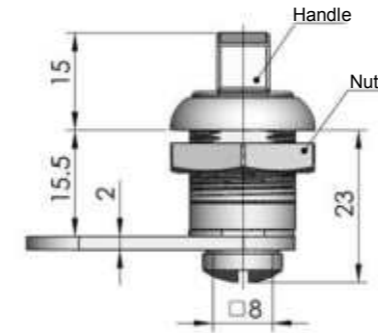
Remarks: Default key K282

Default cam : S1B30Y00006



ERP	MS743Z3A282001
-----	----------------

Remarks : ERP excludes cam (Cutout square 8mm)



	With insert	Knob
ERP	MS745Z3A080001	MS745Z3A000001

Remarks : ERP excludes Cam

MS745-1



MS745-2

RL IP 40

Main material and finish: Bright chrome-plated ZDC housing, white zinc-plated steel cam

Application: Quarter-turn opening or closing

Remarks: Default key K080

Default cam : S1B33Y00005

Accessories
 Handle lock
 Cylinder lock
 Electronic lock
 Swing handle
 Rod control lock
 Panel lock
 Toggle and hook
 Handles
 Door stop
 Hinge
 Seal gasket

MS744



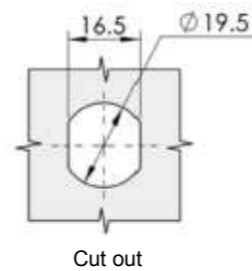
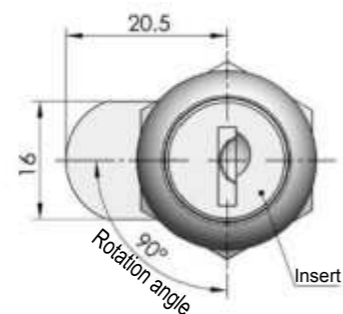
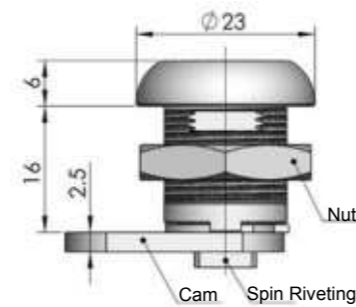
RL IP 40

Main material and finish: White zinc-plated ZDC housing and steel cam

Application: Quarter-turn opening or closing

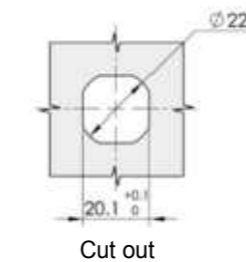
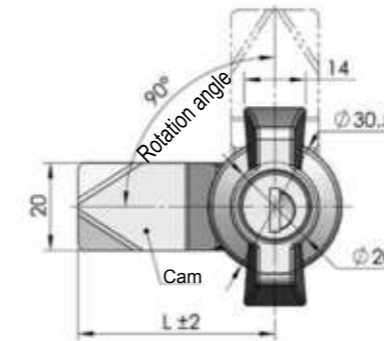
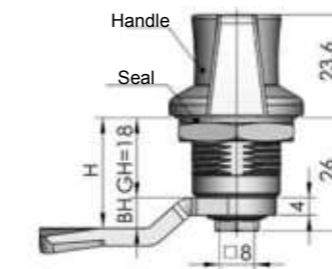
Remarks: Default key K160

Default cam : S1B20Y00001



ERP	MS744Z3D160002
-----	----------------

Remarks : ERP excludes cam (Cutout square 8mm)



	Black powder coated housing	Bright chrome-plated housing
ERP	MS748Z1A160001	MS748Z3A160001

Remarks : ERP excludes cam, cam optional refers to S1B cam list on P007, Ts=4

MS748



RL IP 40

Main material and finish: Black powder-coated ZDC housing, handle and insert, white zinc plated steel cam

Application: Quarter-turn opening or closing

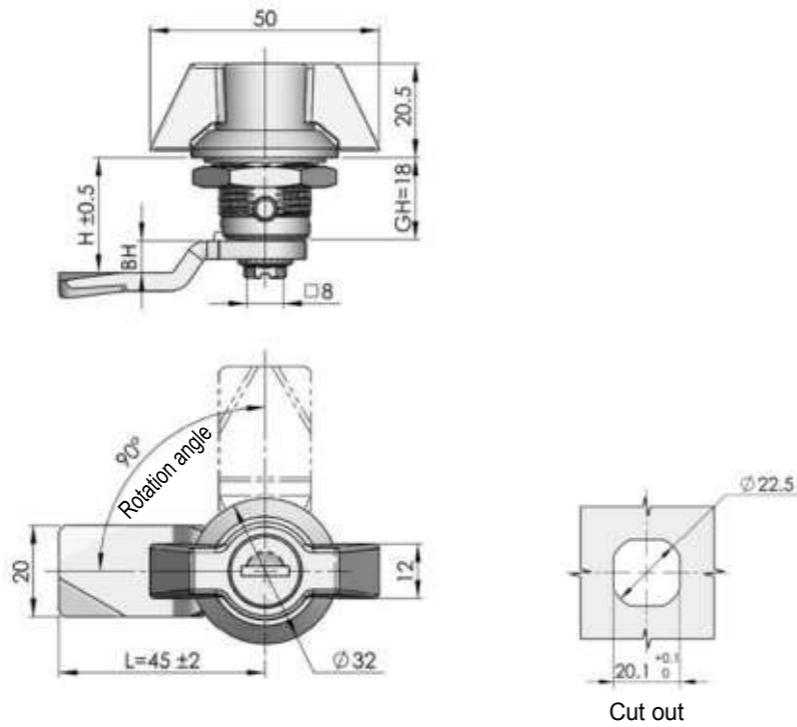
Remarks: Default key K160

Accessories
Handle lock
Cylinder lock
Electronic lock
Swing handle
Rod control lock
Panel lock
Toggle and hook
Handles
Door stop
Hinge
Seal gasket

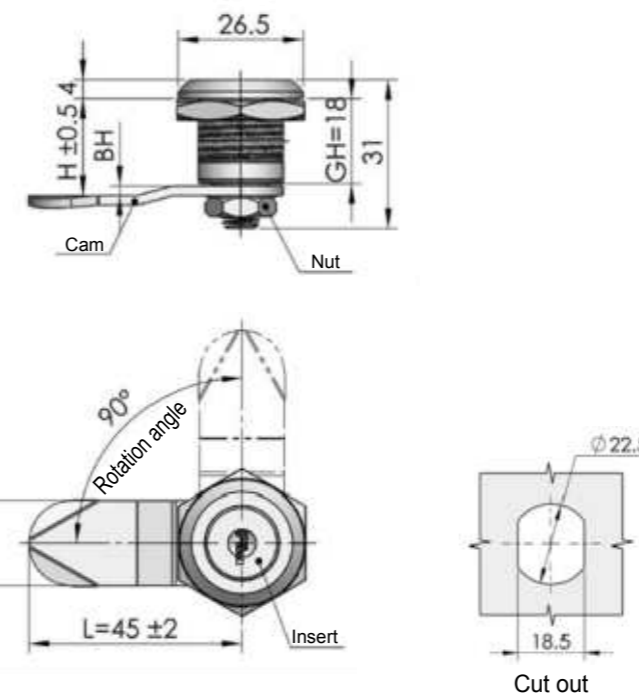
MS748-3

IP 40

Main material and finish: Pocked black powder coated ZDC housing, handle and insert white zinc-plated steel cam
Application: Quarter-turn opening or closing
Remarks: Default key K190



ERP MS748Z1B190001
 Remarks : ERP excludes cam, cam optional refers to S1B cam list on P007, Ts=4



ERP MS802Z3A050001
 Remarks : ERP excludes cam (Cutout square 8mm)

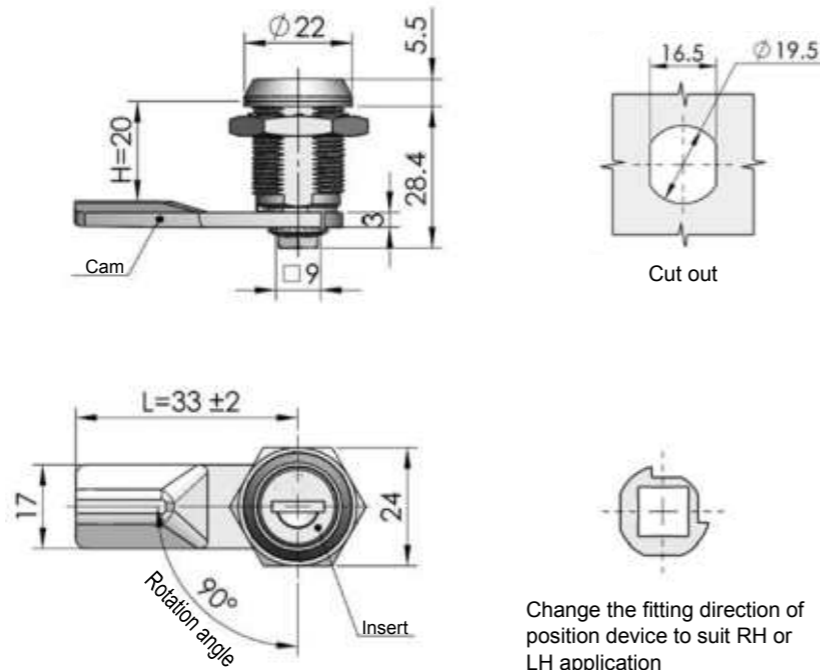
MS802

Main material and finish: Bright chrome-plated ZDC housing and insert, white zinc-plated steel cam
Application: Quarter-turn opening or closing
Remarks: Default key K050
Default cam : S1B45Y02001 (Ts=2)

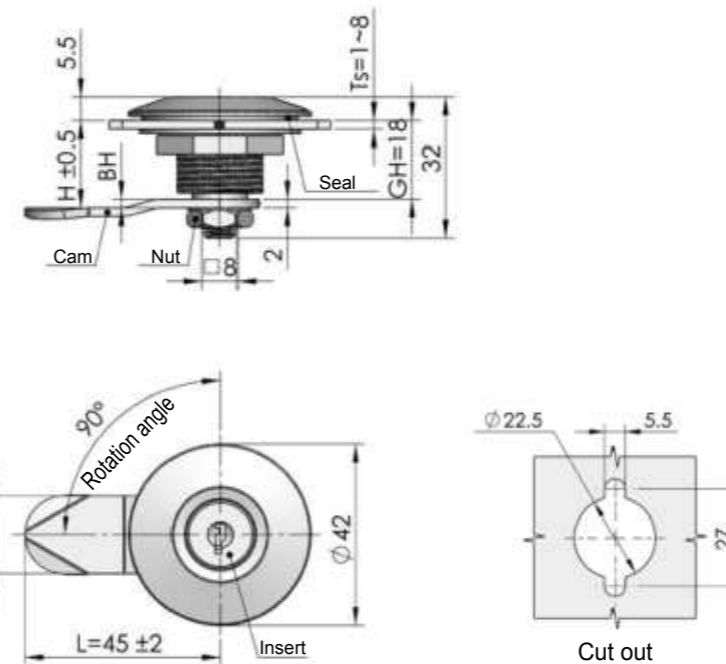
MS760

RL IP 40

Main material and finish: Bright chrome-plated ZDC housing and insert, white zinc-plated steel cam
Application: Quarter-turn opening or closing
Remarks: Default key K160
Default cam : S1V33N02001



ERP MS760Z3A160001
 Remarks : ERP excludes Cam



ERP MS804Z3A050001
 Remarks : ERP excludes Cam

MS804

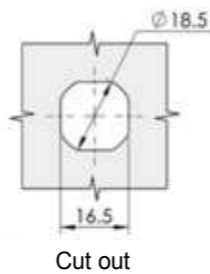
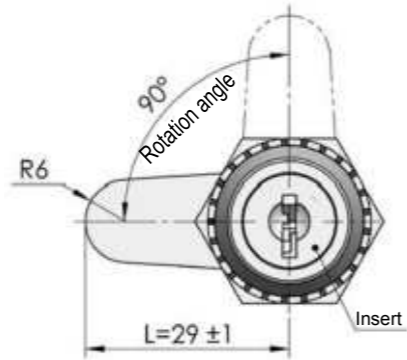
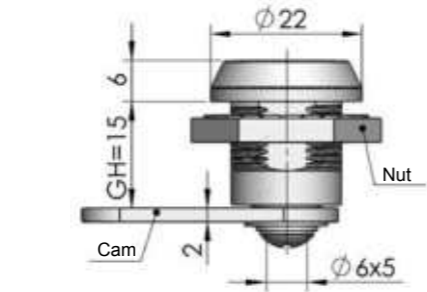
Main material and finish: Bright chrome-plated ZDC housing and insert, white zinc-plated steel cam
Application: Quarter-turn opening or closing
Default cam : S1B45Y02001 (Ts=2)

Accessories
 Handle lock
 Cylinder lock
 Electronic lock
 Swing handle
 Rod control lock
 Panel lock
 Toggle and hook
 Handles
 Door stop
 Hinge
 Seal gasket

MS806



Main material and finish: Bright chrome-plated ZDC housing, insert, white zinc-plated steel cam
Application: Quarter-turn opening or closing
Remarks: Default key K220
Default cam : S1G29Y00001



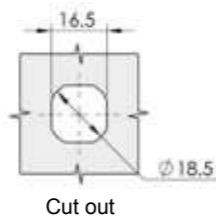
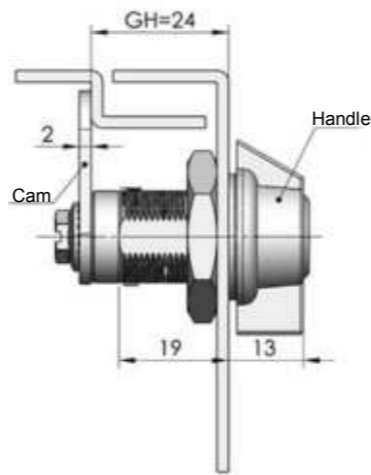
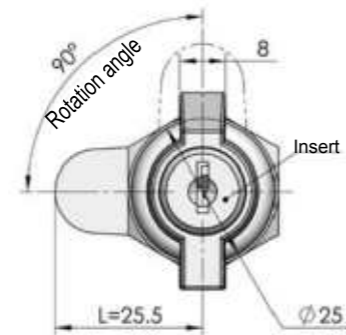
Painted (matt black) housing	Bright chrome-plated housing
MS806Z3A220001	

Remarks : ERP excludes Cam

MS815-1

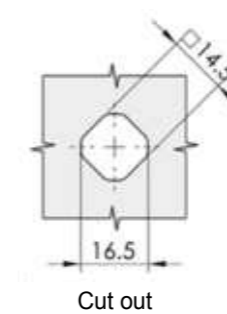
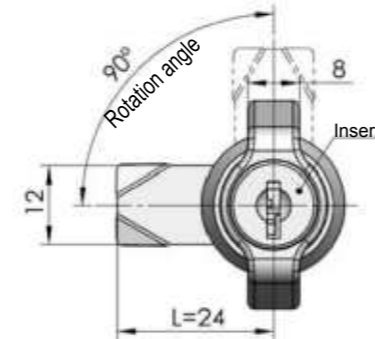
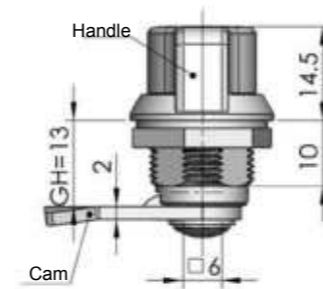


Main material and finish: ZDC housing, insert and steel cam
Application: Quarter-turn opening or closing
Remarks: Default key K240
Default cam : S1B26Y00001



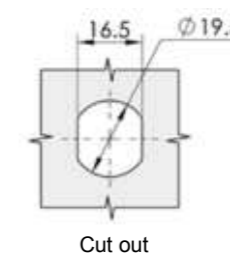
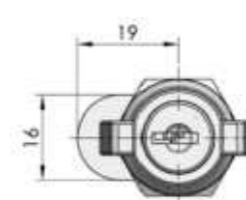
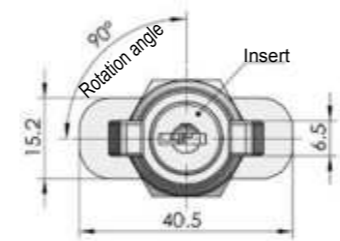
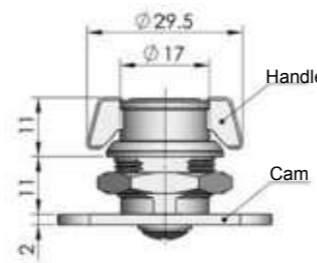
Painted (matt black) housing	Bright chrome-plated housing
MS815Z2A240001	MS815Z3A240001

Remarks : ERP excludes cam (Cutout square 8mm)



Painted (matt black) housing	Bright chrome-plated housing
MS815Z1A170002	MS815Z3A170002

Remarks : ERP excludes Cam



MS815-3A(Model A) MS815-3B(Model B)

	ERP	
Specification	Painted (matt black) housing	Bright chrome-plated housing
Model A	MS815Z1A170003	MS815Z3A170003
Model B	MS815Z1A170004	MS815Z3A170004

Remarks: Cam cut out 7*5.5

MS815-2



Main material and finish: ZDC housing, insert and steel cam
Application: Quarter-turn opening or closing
Remarks: Default key K170
Default cam : S1V24Y00002

Accessories
 Handle lock
 Cylinder lock
 Electronic lock
 Swing handle
 Rod control lock
 Panel lock
 Toggle and hook
 Handles
 Door stop
 Hinge
 Seal gasket

MS815-3



Main material and finish: ZDC housing, insert and steel cam
Application: Quarter-turn opening or closing
Remarks: Default key K170
Default cam : S1W20Y00001 (Model A)
 S1W19Y00001 (Model B)

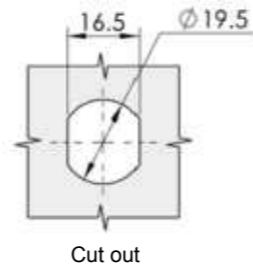
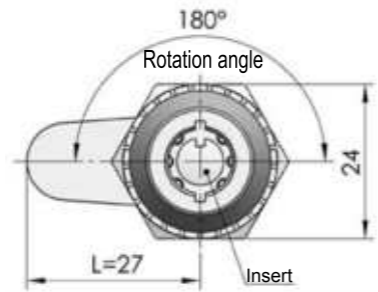
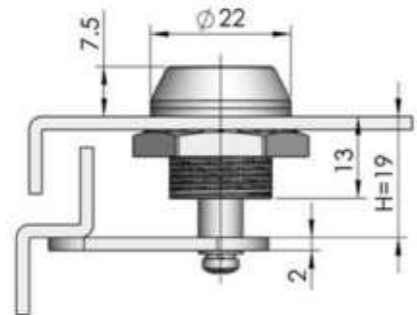
Accessories
Handle lock
Cylinder lock
Electronic lock
Swing handle
Rod control lock
Panel lock
Toggle and hook
Handles
Door stop
Hinge
Seal gasket

MS824

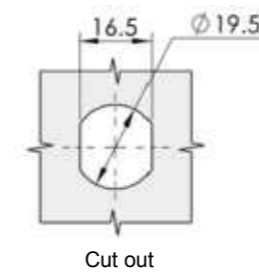
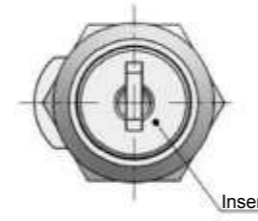
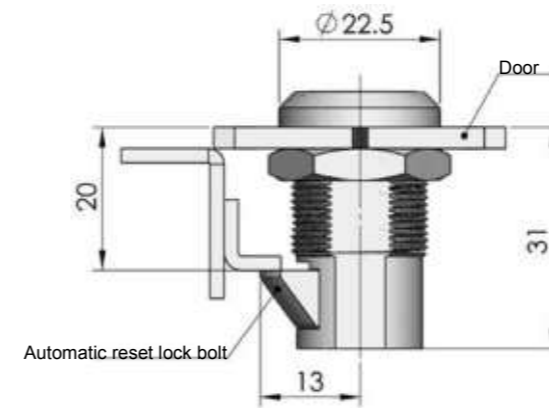


Main material and finish: Bright chrome-plated ZDC housing, insert and white zinc-plated steel cam
Application: 180 degree rotation opening or closing

Default cam : S1V27Y00001



ERP MS824Z3A000001
 Remarks : ERP excludes Cam



ERP MS826Z3A160001

MS826

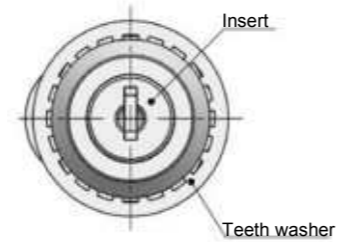
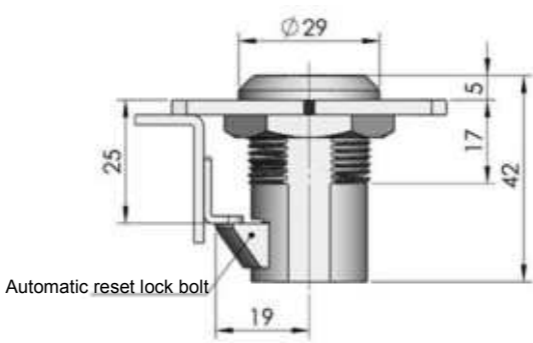


Main material and finish: Bright chrome-plated ZDC housing, insert and lock-tongue, white ZDC zinc-plated lock tongue
Application: Automatic reset locked
Remarks: Default key K160

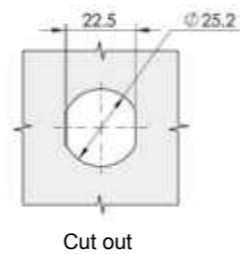
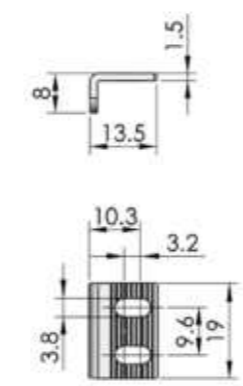
MS825



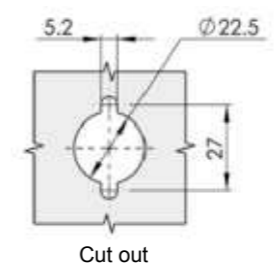
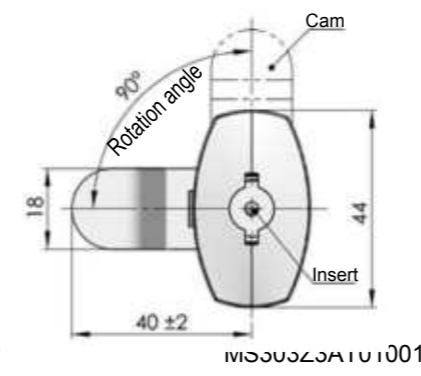
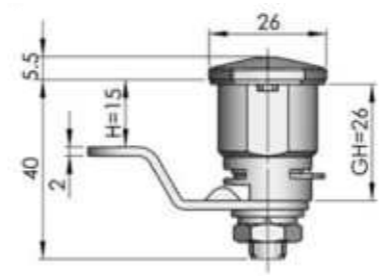
Main material and finish: Bright chrome-plated ZDC housing, insert and lock bolt, white zinc-plated ZDC lock bolt
Application: Automatic reset locked
Remarks: Default key K160



Catcher (Optional)



ERP MS825Z3A160001



ERP MS825Z3A160001

MS303

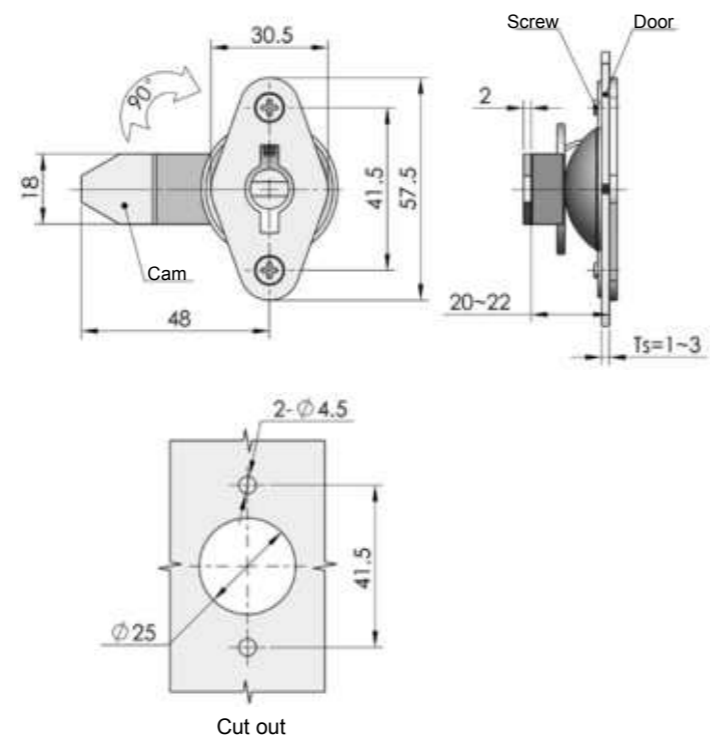


Main material and finish: Bright chrome-plated ZDC housing and insert, white zinc-plated steel cam
Application: Quarter-turn opening or closing

Accessories
 Handle lock
 Cylinder lock
 Electronic lock
 Swing handle
 Rod control lock
 Panel lock
 Toggle and hook
 Handles
 Door stop
 Hinge
 Seal gasket



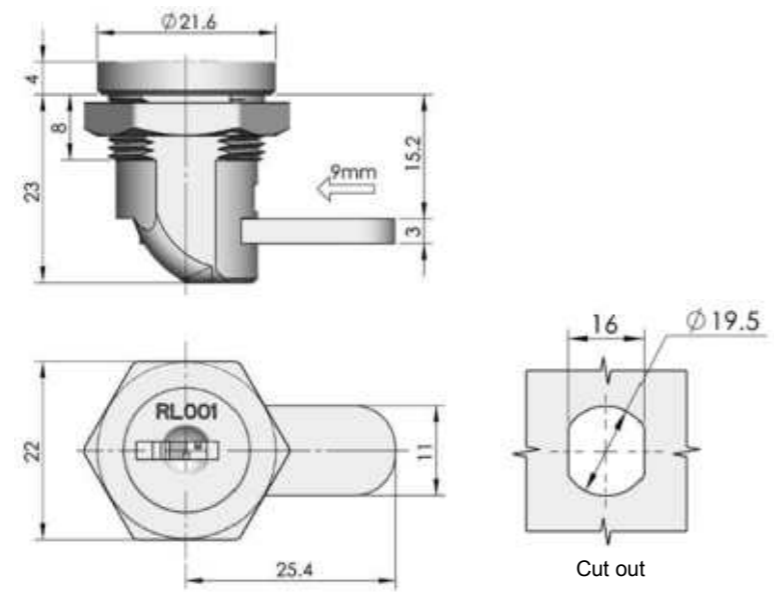
MS330
Main material and finish: White zinc-plated steel lock body, and steel cam
Application: Quarter-turn opening or closing



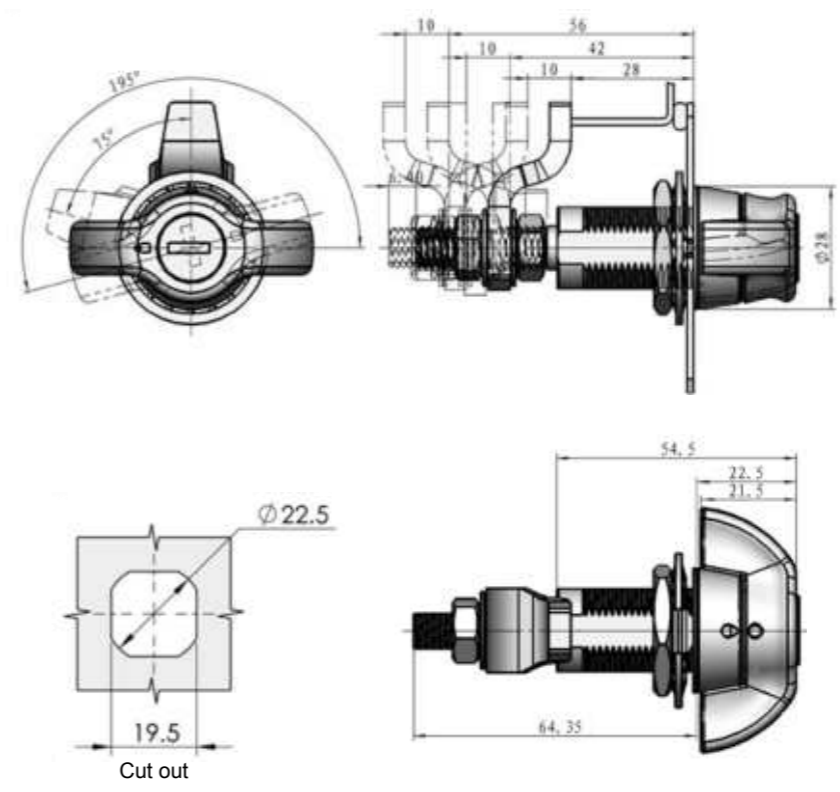
ERP MS330F3D000001



MS786
Main material and finish: Black painted ZDC housing and insert, white zinc-plated steel cam
Remarks: Default key K540



ERP MS786Z2A540001



Remarks: Opening from right rotation

Default key



With insert
 Without insert
 Remarks: The above ERP excludes cam

Item No	ERP
MS816-1D-1	MS816Z1B057001
MS816-1D-2	MS816Z1B000002



MS816-1D-1
R L IP 54

Main material and finish: Pocked black powder coated ZDC housing, handle, insert, white zinc-plated steel shaft and cam
Remarks: Default key K570

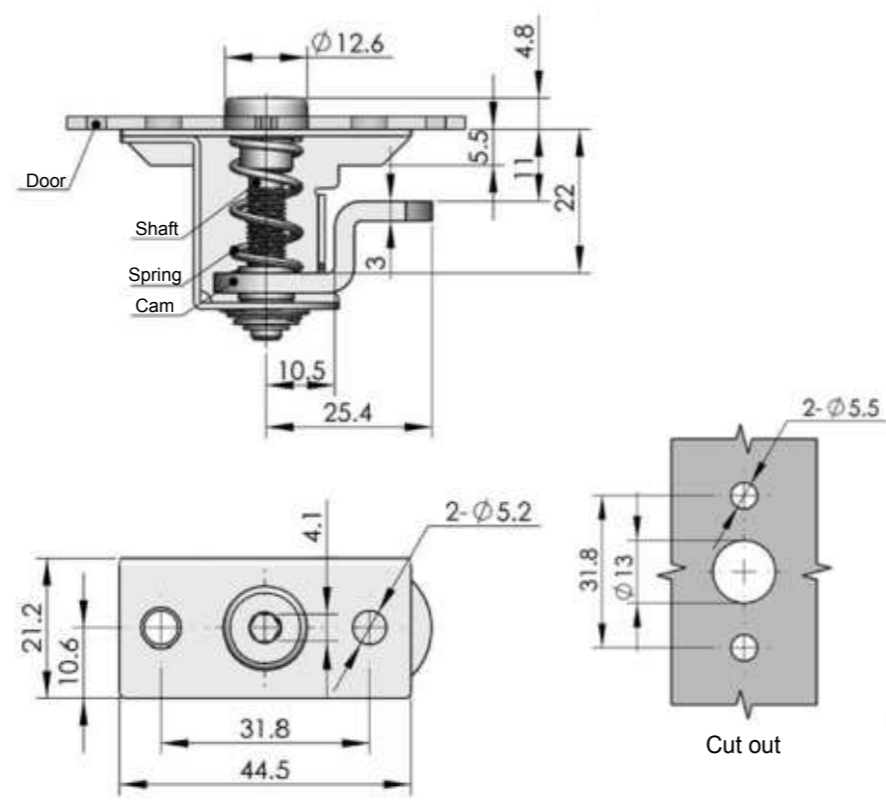
Accessories
 Handle lock
 Cylinder lock
 Electronic lock
 Swing handle
 Rod control lock
 Panel lock
 Toggle and hook
 Handles
 Door stop
 Hinge
 Seal gasket

Accessories
Handle lock
Cylinder lock
Electronic lock
Swing handle
Rod control lock
Panel lock
Toggle and hook
Handles
Door stop
Hinge
Seal gasket

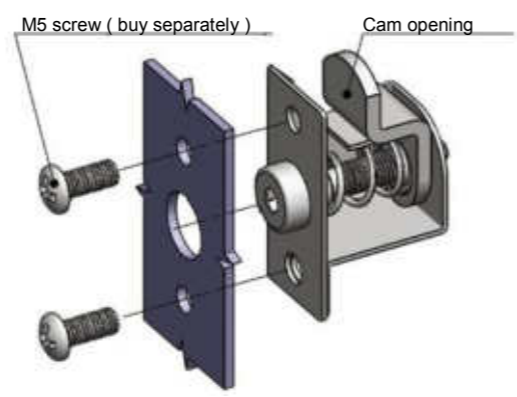


MS735-4

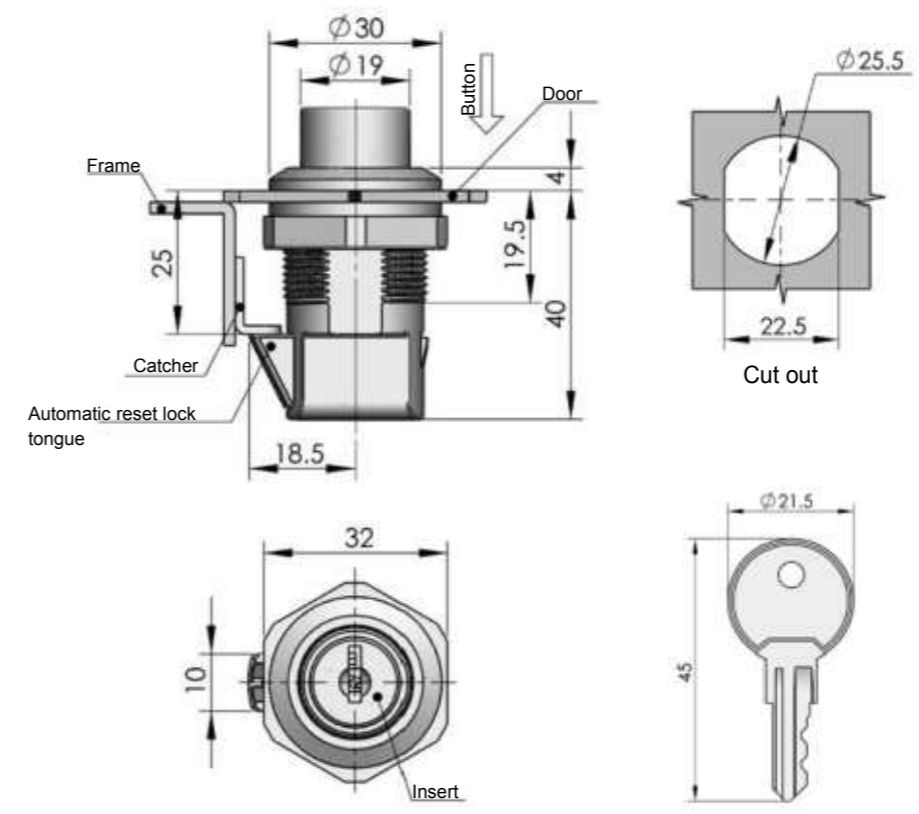
Main material and finish: White zinc-plated steel lock body
Application: Quarter-turn opening or closing, cam adjustable
Default cam : S1S25Y11001



Example of assembling

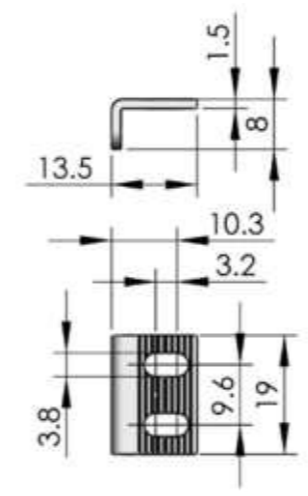


ERP MS735F3D000001
 Remarks : ERP excludes Cam



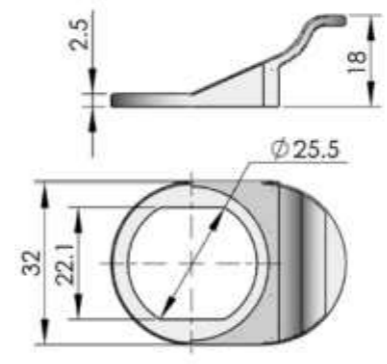
ERP MS753N00160001

Catcher (Optional)



ERP

Handle pull (Optional)



ERP 1150050002



MS753

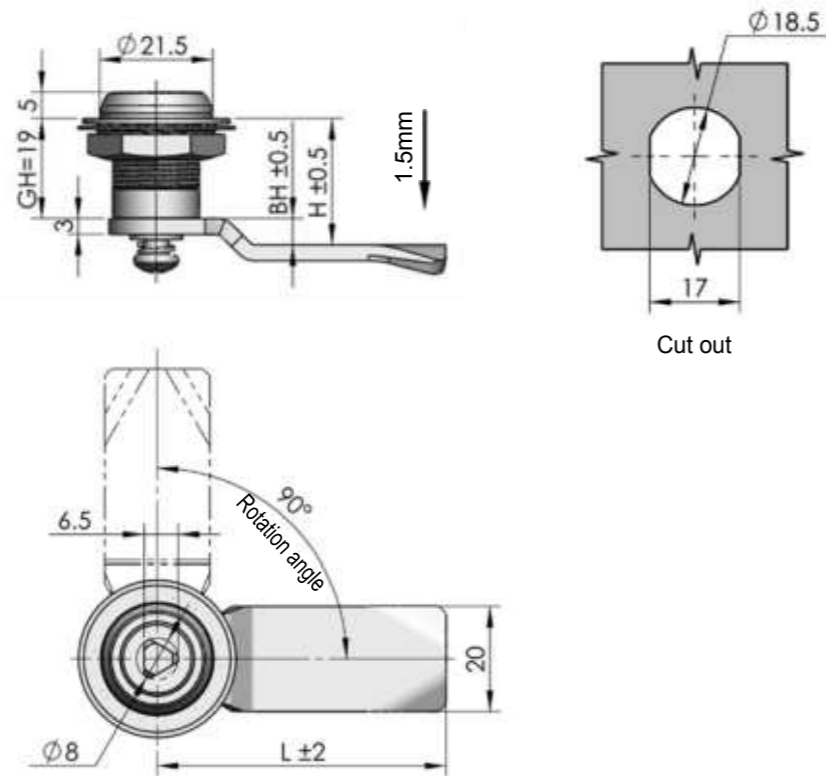
Main material and finish: Black PC housing, insert, shaft pipe and lock tongue
Application: Automatic locked push type
Remarks: Default key K160

Accessories
Handle lock
Cylinder lock
Electronic lock
Swing handle
Rod control lock
Panel lock
Toggle and hook
Handles
Door stop
Hinge
Seal gasket

MS754



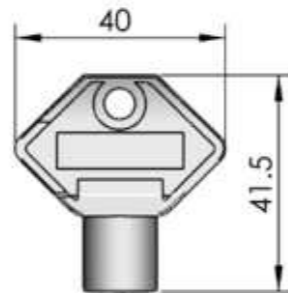
Main material and finish: Bright chrome-plated ZDC housing, white zinc-plated ZDC insert and steel cam
Application: Automatic locked quarter-turn to open or close
Remarks: Optional key K15-12F



ERP MS754Z3AT14001

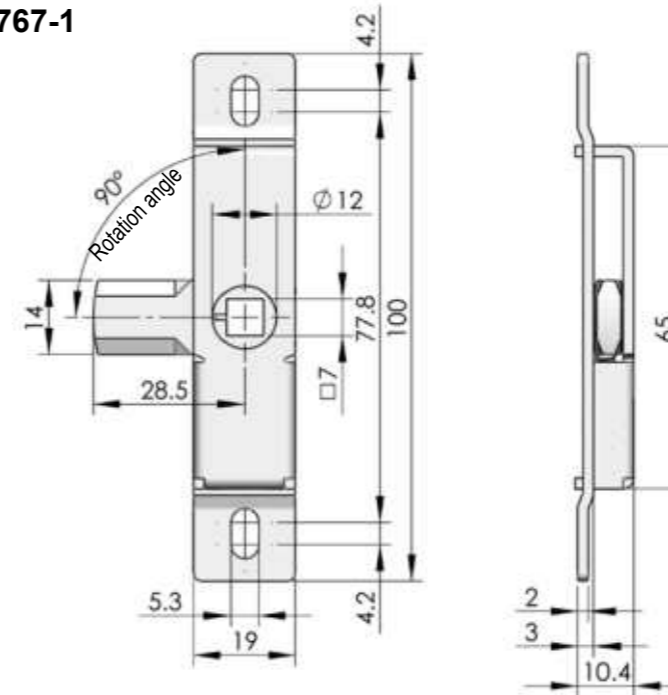
Remarks : ERP excludes cam (cutout square 8mm), cam optional refers to S1B cam list on P007

Optional key



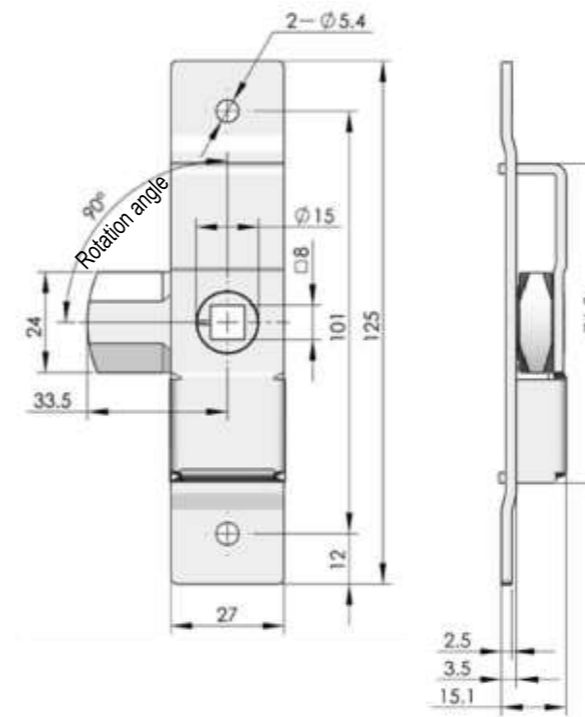
ERP 3290153005

MS767-1



ERP MS767F3D000001

MS767-2



ERP MS767F3D000002

MS767-1



MS767-2



RL

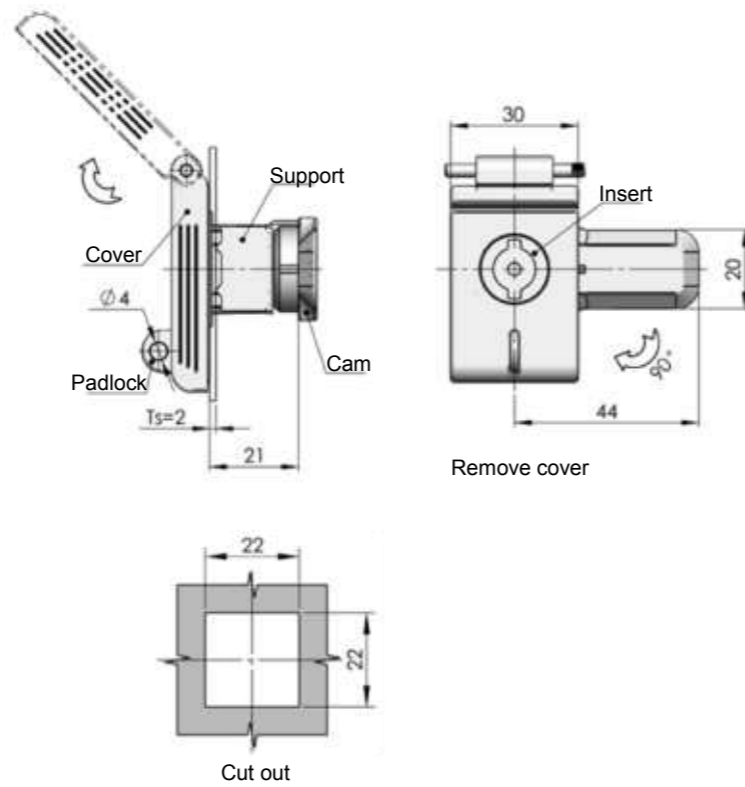
Main material and finish: White zinc-plated steel lock body and stainless steel cam
Application: Quarter-turn opening or closing

MS813-4

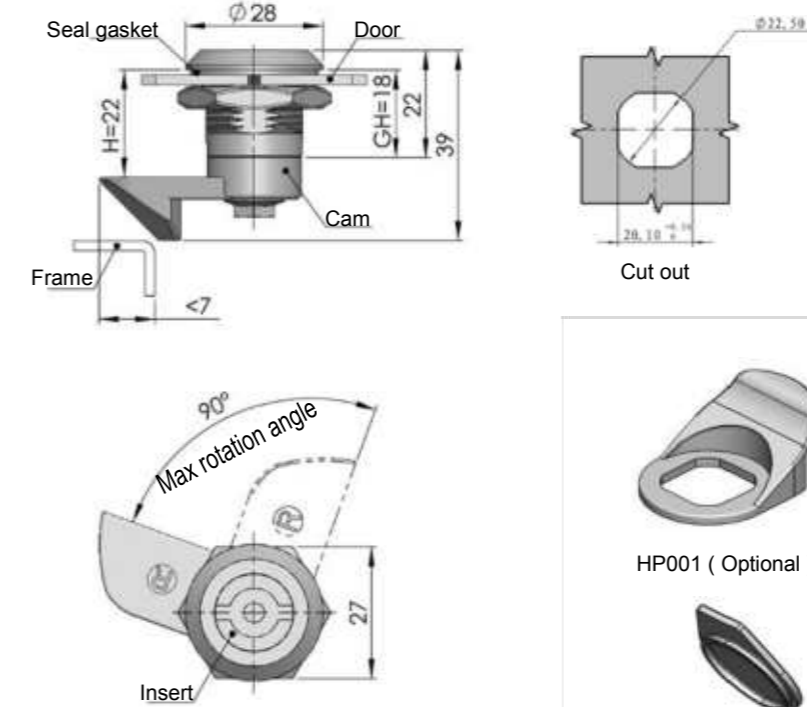


RL IP 54

Main material and finish: Yellow gray powder coated ZDC housing, bright chrome-plated insert, white zinc-plated cam
Application: Quarter-turn opening or closing
Remarks: Optional key K15-01C



ERP MS813ZXXT01003



ERP MS705Z3AT02018
 Remarks: Left cam or right cam
 Remarks: The above ERP excludes cam



HP001 (Optional)



WP002 (Optional)

MS705-1W-2D



R L IP 54

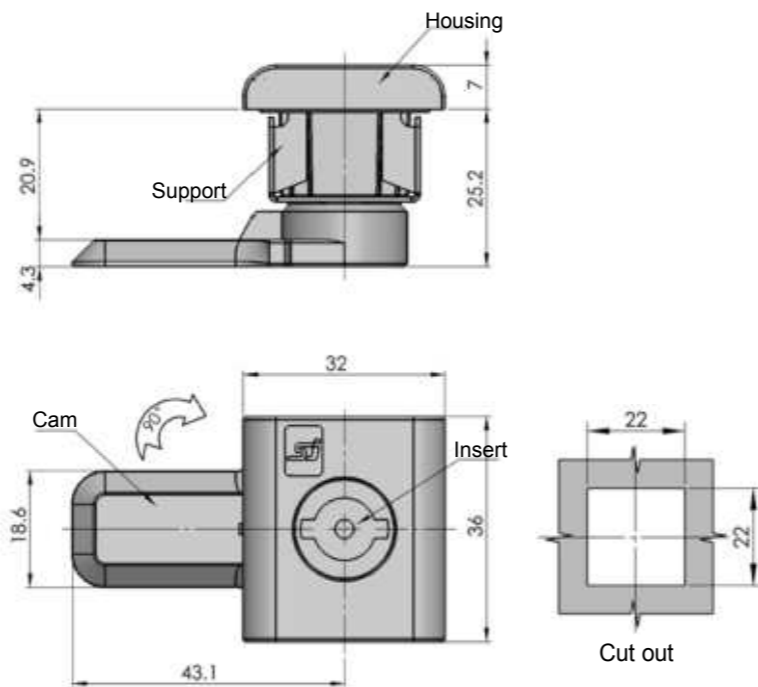
Main material and finish: Bright chrome-plated ZDC housing, insert and cam
Application: Quarter-turn opening, with function of locking
Remarks: Optional key K15 series

MS813-5B

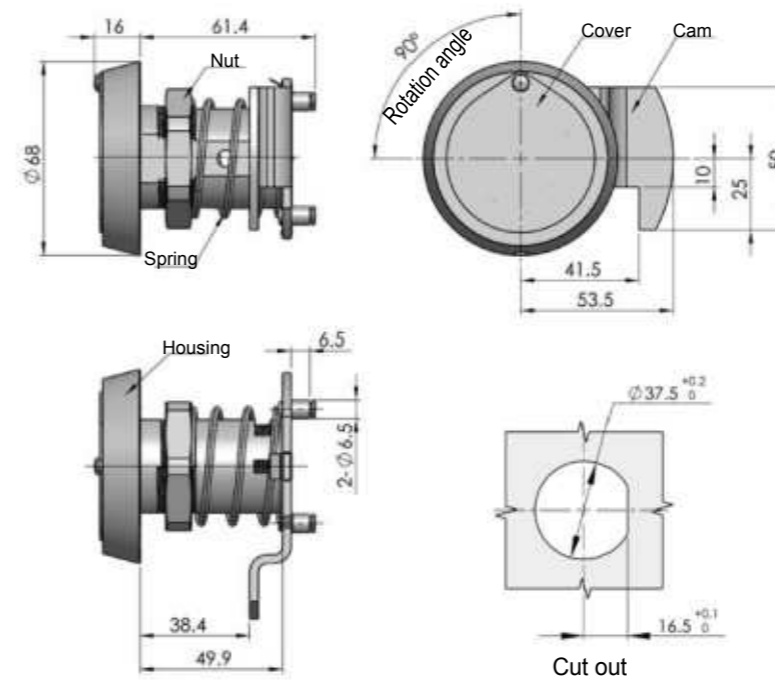


RL IP 54

Main material and finish: Mirror polishing stainless steel housing, insert, cam, and screw, steel support
Remarks: Optional key K15 series

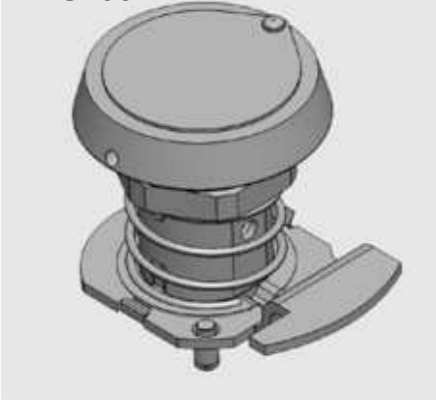


ERP MS813S4AT01001



ERP MS405S00000001

MS405



Main material and finish: Stainless steel
Application: Max rotation angle 90 degree
Remarks: Without key and opening tool

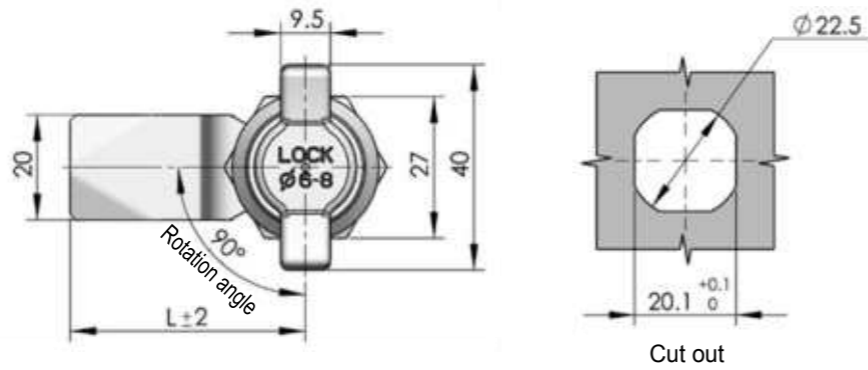
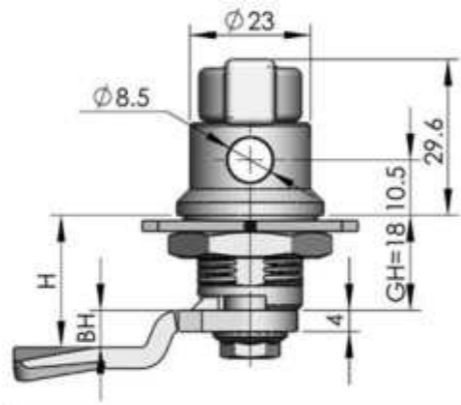
Accessories
Handle lock
Cylinder lock
Electronic lock
Swing handle
Rod control lock
Panel lock
Toggle and hook
Handles
Door stop
Hinge
Seal gasket

MS772

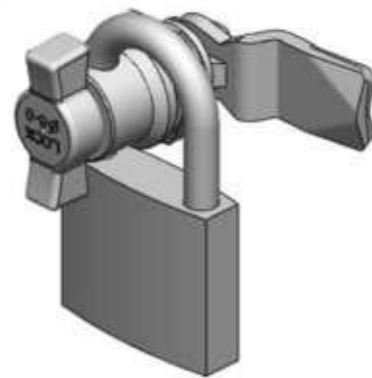


RL **IP 50**

Main material and finish: Blue gray powder coated (RAL 7012) ZDC housing, PA handle, white zinc-plated steel cam
Application: Camstop quarter-turn opening or closing, padlockable



Example of padlock latch (exclude padlock)



MS772Z1D000001

Remarks : ERP excludes cam (cutout square 8mm), cam optional refers to S1B cam list on P007, Ts=4

ELECTRONIC LOCK SERIES



Accessories
Handle lock
Cylinder lock
Electronic lock
Swing handle
Rod control lock
Panel lock
Toggle and hook
Handles
Door stop
Hinge
Seal gasket

MS864-8

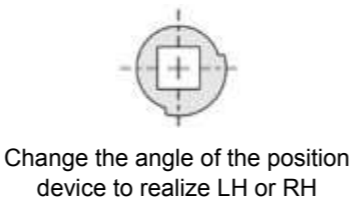
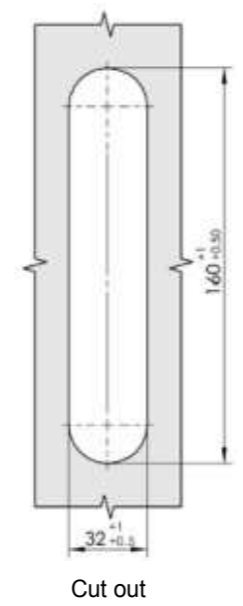
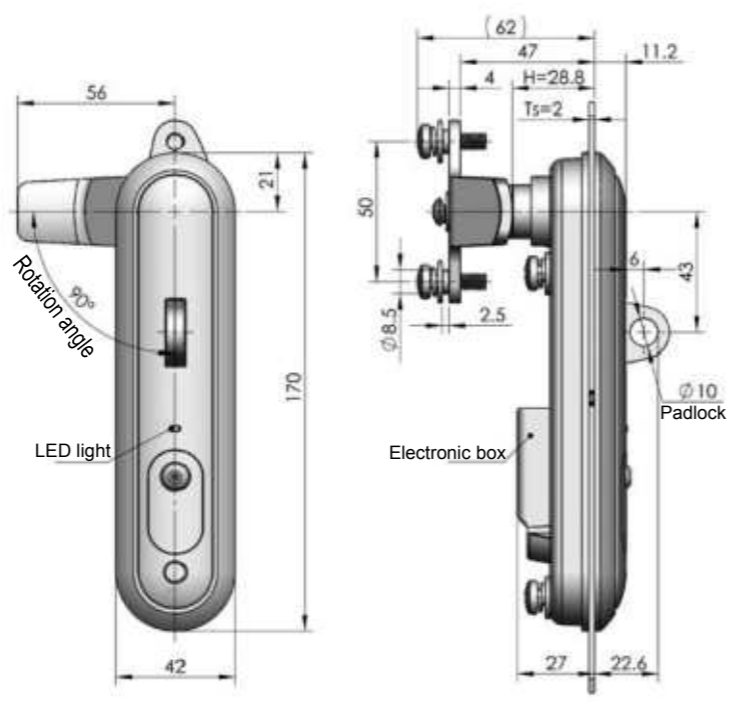


Main material and finish: Black painted (high salt mist resistant) ZDC housing, handle, stainless steel cam

Application: Handle quarter-turn, one-way locked stroke is 22mm, 3 point locked, without changing the structure, you can open the door either RH or LH by changing the direction of the position device, changing the part of electronic box, the electronic lock can become the mechanism lock

Remarks: Default key K043

Default cam: 2888648001



Change the angle of the position device to realize LH or RH

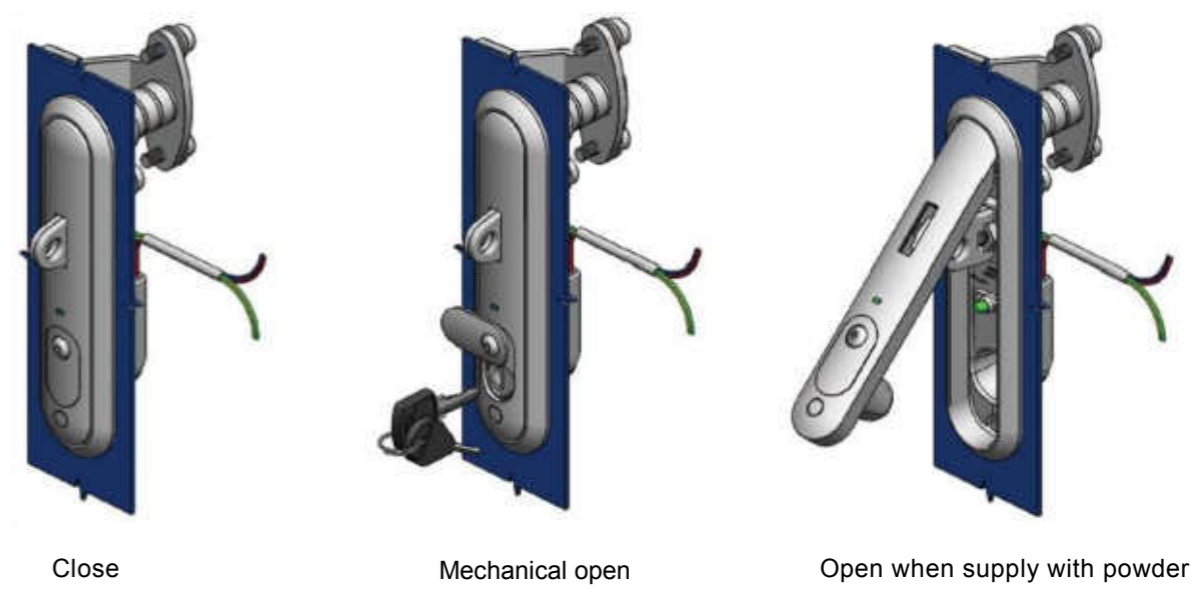
Electronic Lock Instruction:

When power on, the green signal starts to shine and the handle is not opened (if power off in this time, the lock can be locked automatically). Push the circular position on swinghandle , the swing handle will bounce from lock body to realize the open function. The power will keep on for 30 seconds. (The time can be set by the customers and we suggest that no longer than 1 min). While you press the swing handle down into the lock body, the power is also cut off to realize the locked function.

If there is an accident(for example: remote control is failed, power line is burned and so on) which is supplied without power, please use the mechanism opening method.

The open method of mechanism lock: using the special tool to rotate the pentagonal screw and open the dust proof cover, then open the insert by key (the swing handle will bounce to open).

Electronic box instruction: Input voltage rating 12V-24V, current rating 200mA~300mA/DC. Red line: positive, Blue line: negative ,Green and yellow: signal line.



Assemble Requirement:

In the assembling process, the operator should wear gloves and not hammer the lock to avoid any possible damage to lock accessories.

Make sure the door is horizontal when assembling. The fix hole on frame matches with the shape of lock. Do not hammer the lock and clear the surface of the lock by using chemical material to avoid corrosion the coating.

After assembling, the lock should be horizontal to the door and vertical to the ground. The gaps between the lock and the cut out can reach waterproof IPX6 without being filled in with any glue.

Support
Metal support
PA support

ERP					
Electronic lock			Mechanism lock		
	With padlock	Without padlock	Support	With padlock	Without padlock
	MS864Z2E052019	MS864Z2E052017	Metal support	MS864Z2E052003	MS864Z2E052001
	MS864Z2E052020	MS864Z2E052018	PA support	MS864Z2E052004	MS864Z2E052002

Accessories
Handle lock
Cylinder lock
Electronic lock
Swing handle
Rod control lock
Panel lock
Toggle and hook
Handles
Door stop
Hinge
Seal gasket

Accessories
Handle lock
Cylinder lock
Electronic lock
Swing handle
Rod control lock
Panel lock
Toggle and hook
Handles
Door stop
Hinge
Seal gasket

MS899

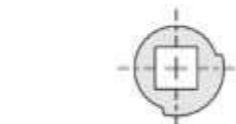
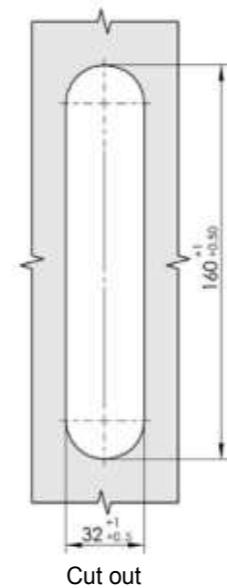
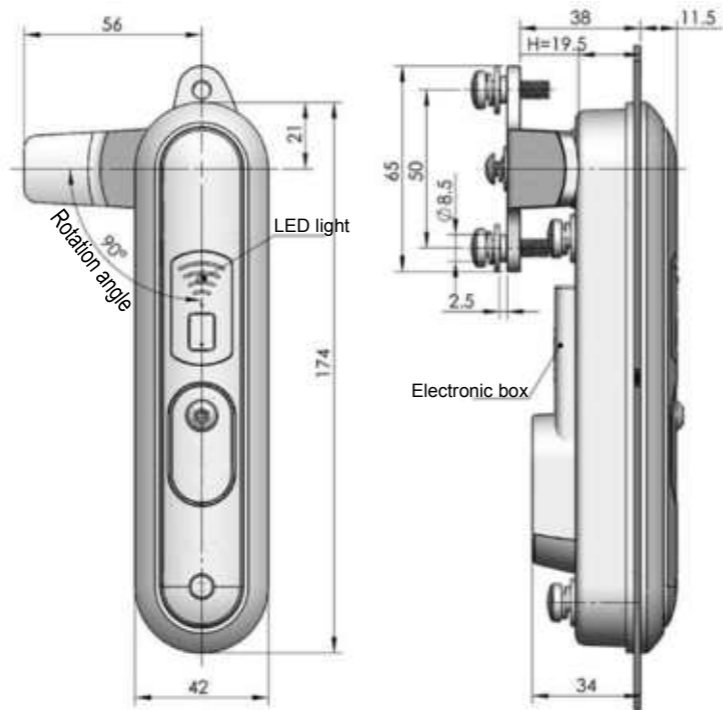


Main material and finish: Black painted (high salt mist resistant) ZDC housing, handle, stainless steel cam

Application: Handle quarter-turn, one-way locked stroke is 25mm, 3 point locked, without changing the structure, you can open the door either RH or LH by changing the direction of the position device, changing the part of electronic box, the electronic lock can become the mechanism lock, the electronic lock has function of IC card and route control

Remarks: Default cylinder TC03-5

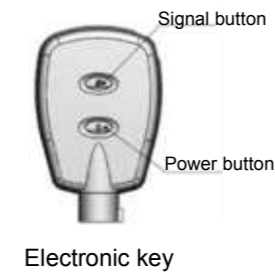
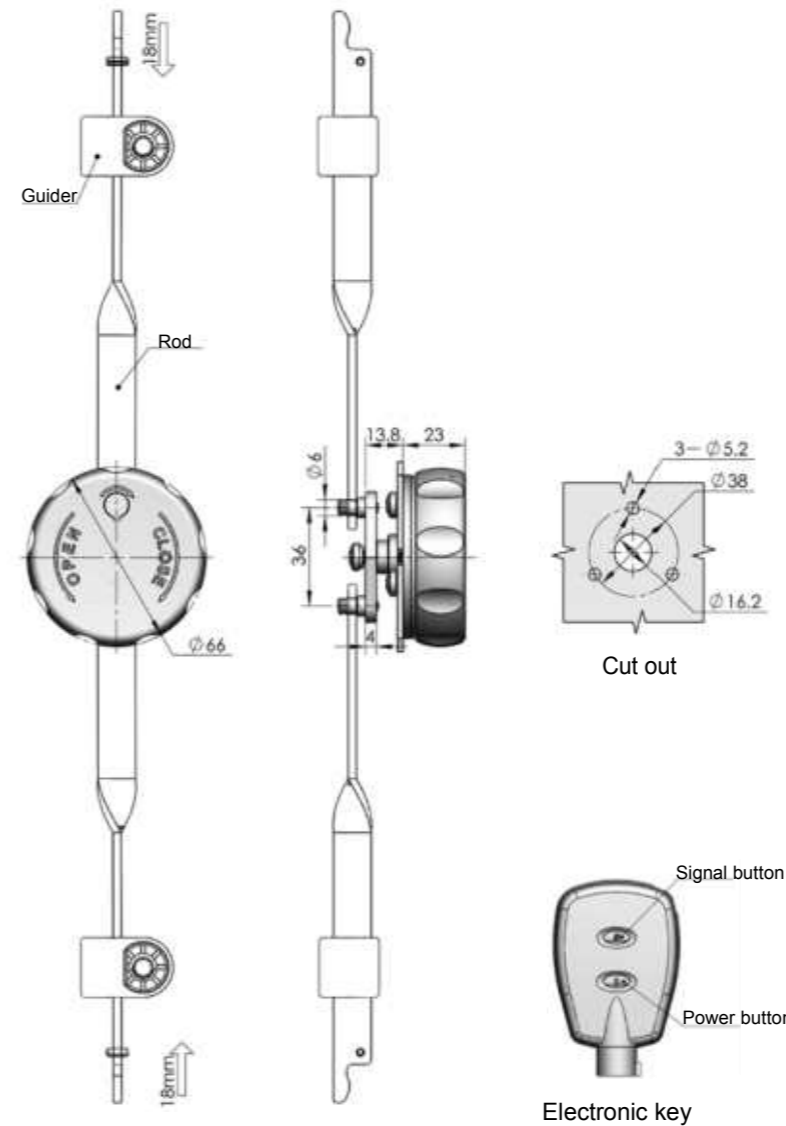
Default cam: 2888648001



Change the angle of the position device to realize LH or RH

Remarks: Instruction see MS864-8 on catalogue

	Electronic lock	Mechanism lock
ERP	MS899Z2EE03002	MS899Z2EE03001



MS901



Main material and finish: Gray nanometer painted ZDC housing, button, white zinc-plated steel cam and rod

Application: For more details, see the instruction with the product

Remarks: With special electronic key

The Simple Handhold Electronic Key Instruction:

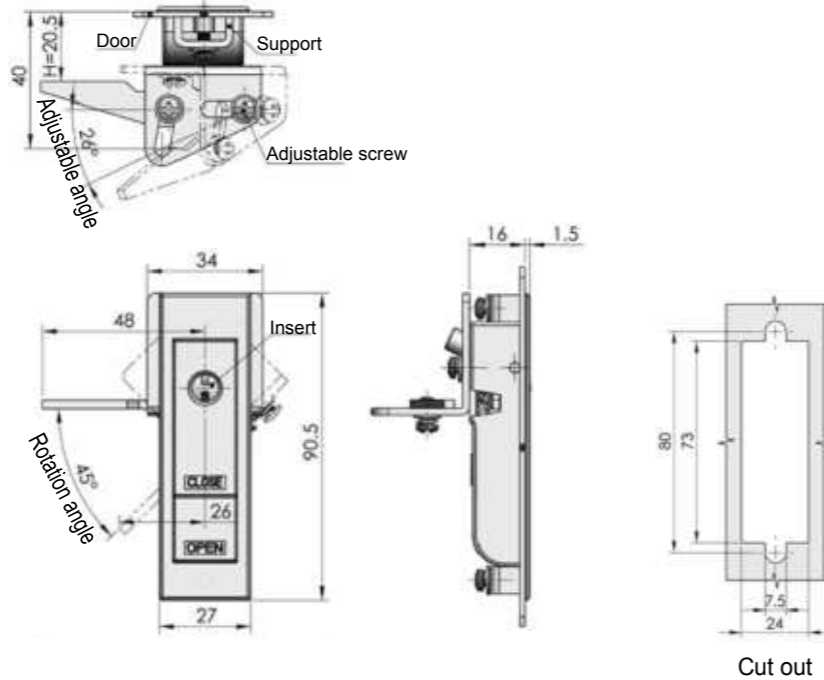
- 1, Push "*" key to switch on the electronic key. The red light will light every second.
- 2, Push "#" key to deliver the open signal. The red and green light will blink rapidly.
- 3, The handhold electronic key locate to the electronic insert. After the verification is correct, the key can drive the electronic insert rotation with some force. Meanwhile the red light will blink slow down, If the verification is incorrect, the handhold electronic key can't open the electronic insert.
- 4, When you want to switch off the electronic key, you can push "*" key again returning the open state. The red light will light every second, then it will be closed automatically. If you don't push the key, the red light will keep blinking in the open lock situation, 10 seconds later to close automatically

Accessories
Handle lock
Cylinder lock
Electronic lock
Swing handle
Rod control lock
Panel lock
Toggle and hook
Handles
Door stop
Hinge
Seal gasket

Accessories
Handle lock
Cylinder lock
Electronic lock
Swing handle
Rod control lock
Panel lock
Toggle and hook
Handles
Door stop
Hinge
Seal gasket

MS703

Main material and finish: Bright chrome-plated ZDC lock body and white zinc-plated steel cam
Application: Quick-open, easy assembling, by adjusting the cam screw to change the H and L of cam

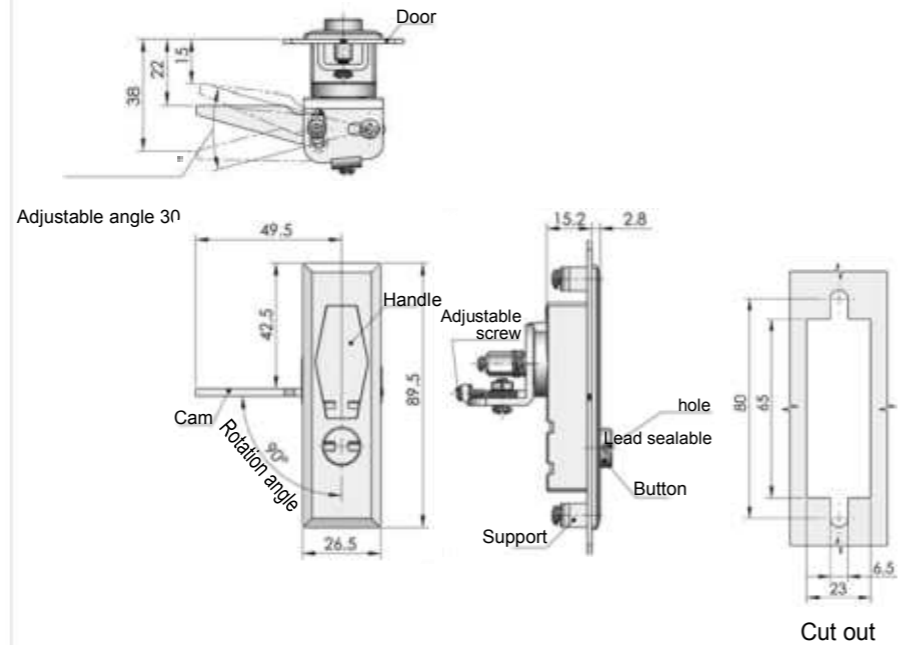


Specification	Cam opening from left rotation	Cam opening from right rotation
	MS703Z3A000001	MS703Z3A000002

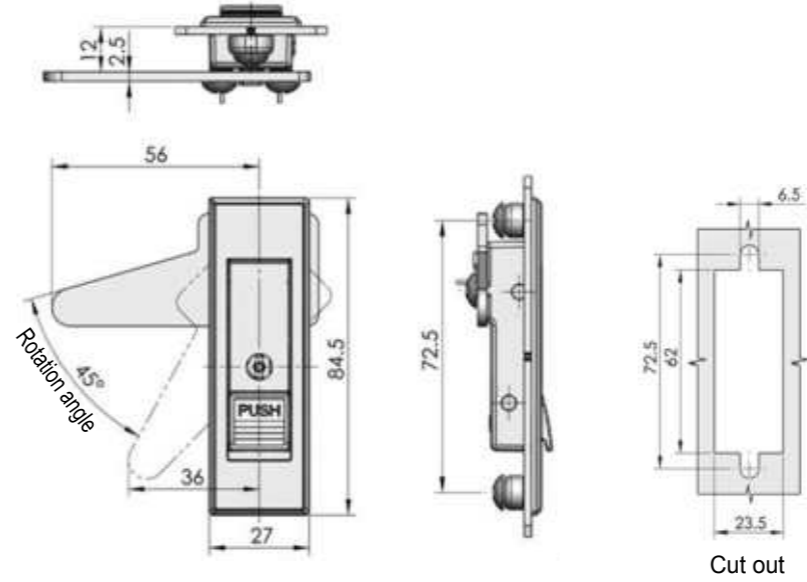
MS707

Main material and finish: Blast-spraying and nickel plated ZDC housing, handle, button and insert, white zinc-plated steel cam
Application: Quick-open, easy assembling, by adjusting the cam screw to change the H and L of cam

JMS707

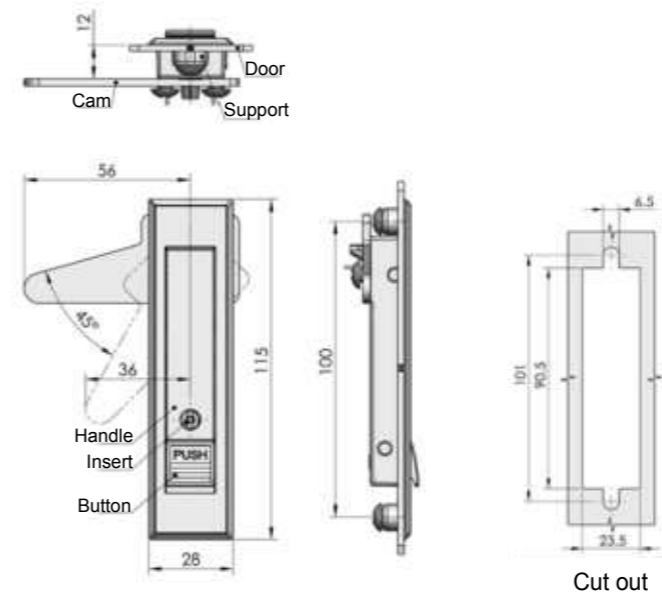


Specification	Opening from left rotation	Opening from right rotation
With insert	MS707Z3I000001	MS707Z3I000002
With lead sealable button	MS707Z3I000003	MS707Z3I000004



180 degree cam rotation to realize LH or RH (only for cam without bend)

Specification	ERP	
	Gray nanometer painted housing	Sand-blast chrome-plated housing
ZDC button, with insert	MS720Z2B000001	MS720Z3H000001
ZDC button, without insert	MS720Z2B000006	MS720Z3H000003
Plastic button, with insert	MS720Z2B000002	MS720Z3H000002
Plastic button, without insert	MS720Z2B000007	MS720Z3H000004



Specification	ERP	
	Gray nanometer painted housing	Sand-blast chrome-plated housing
ZDC button, with insert	MS728Z2B000001	MS728Z3H000001
ZDC button, without insert	MS728Z2B000002	MS728Z3H000005
Plastic button, with insert	MS728Z2B000003	MS728Z3H000002
Plastic button, without insert	MS728Z2B000004	MS728Z3H000006

MS720

RL

Main material and finish: ZDC housing, insert, ZDC button or PA button, white zinc-plated steel cam
Application: Quick-open, easy assembling, H variable

Default cam: S1D56Y00002

MS728

RL

Main material and finish: Sand-spraying and chrome-plated ZDC housing and insert, ZDC button or PA button, white zinc-plated steel cam
Application: Quick-open, easy assembling, H variable

Default cam: S1D56Y00002

Accessories
Handle lock
Cylinder lock
Electronic lock
Swing handle
Rod control lock
Panel lock
Toggle and hook
Handles
Door stop
Hinge
Seal gasket

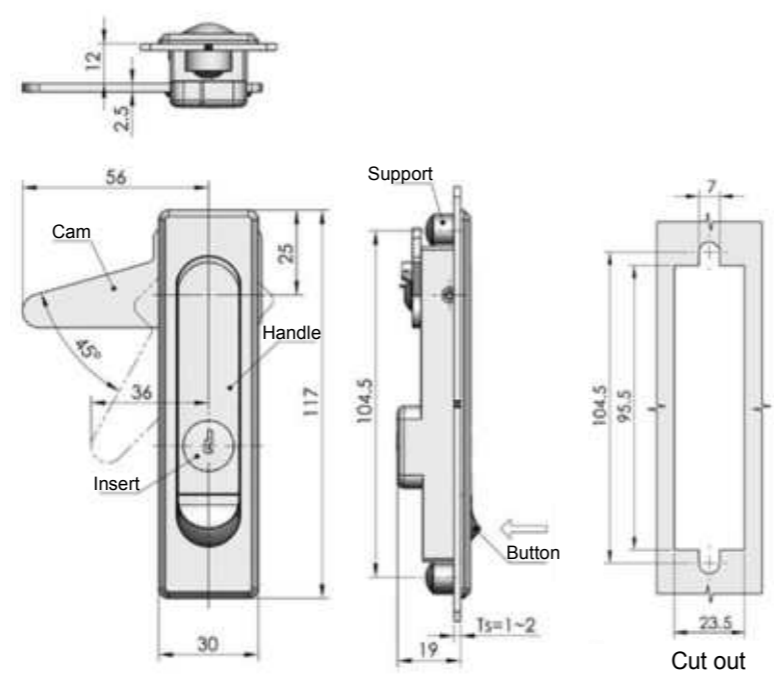
Accessories
 Handle lock
 Cylinder lock
 Electronic lock
 Swing handle
 Rod control lock
 Panel lock
 Toggle and hook
 Handles
 Door stop
 Hinge
 Seal gasket

MS730



RL

Main material and finish: ZDC housing, insert, and button, white zinc-plated steel cam
Application: Quick-open, easy assembling, H variable
Remarks: Default key K200
Default cam: S1D56Y00002



180 degree cam rotation to realize LH or RH (only for cam without bend)

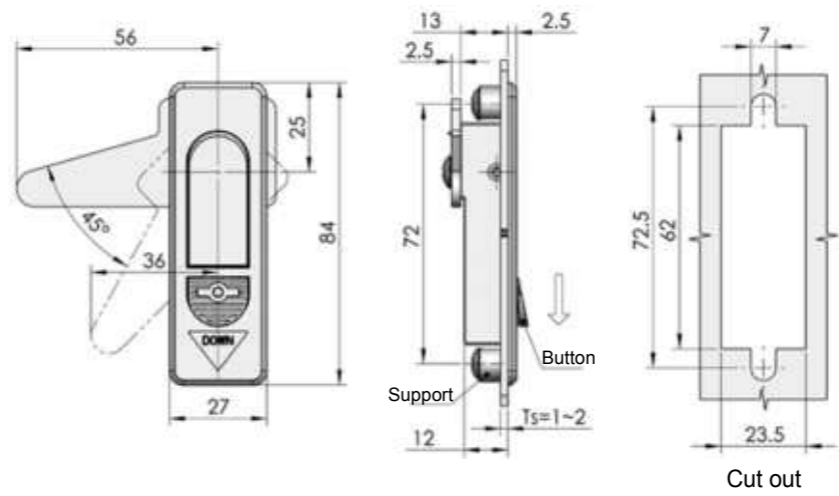
Painted (black) housing, handle	Nanometer painted housing, handle
MS730Z2A200001	MS730Z2B200001

MS732



RL

Main material and finish: Bright chrome-plated ZDC housing, handle and button, zinc-plated steel cam
Application: Quick-open design, easy installation. Bend the cam to suit the different H
Default cam: S1D56Y00002



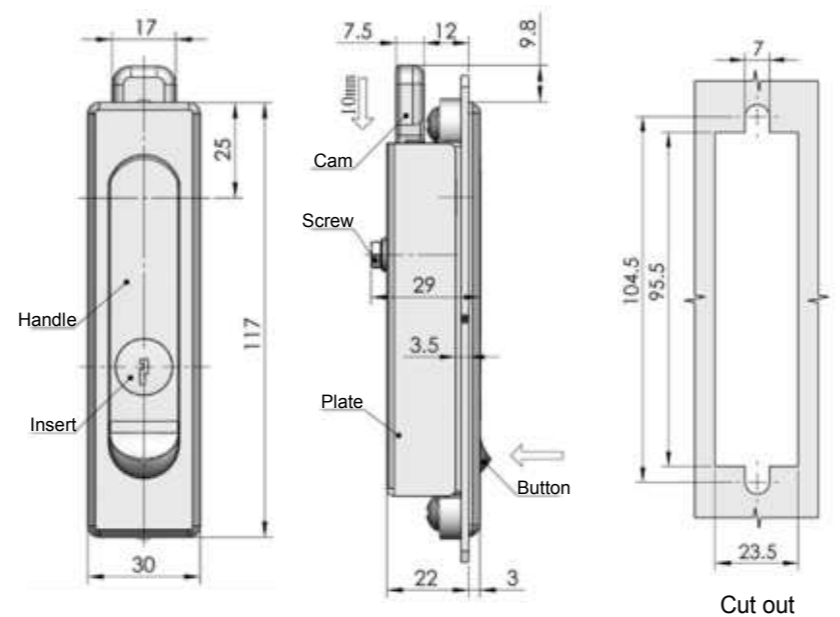
180 degree cam rotation to realize LH or RH (only for cam without bend)

MS732Z3A000001

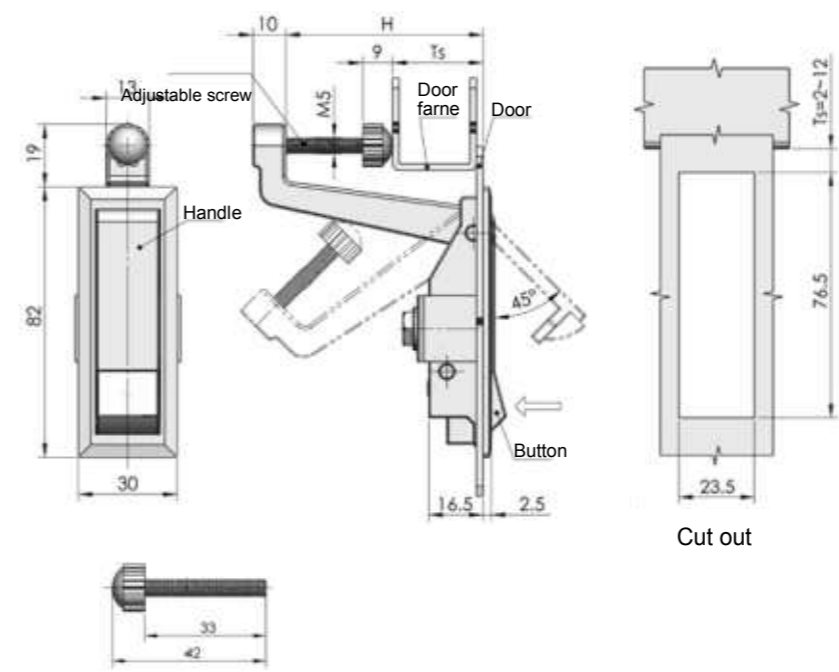
MS730-1A



Main material and finish: ZDC housing, insert, and button, white zinc-plated ZDC cam
Application: Quick-open, easy assembling, front-end of lock tongue is suitable to special frame structure



Painted (black) housing, handle	Nanometer painted housing, handle
MS730Z2A200002	MS730Z2B200002



Remarks: Default adjusting screw, others on request

H=46.5	H=59.5	H=24
MS708Z3H000002	MS708Z3H000004	MS708Z3H000006

MS708



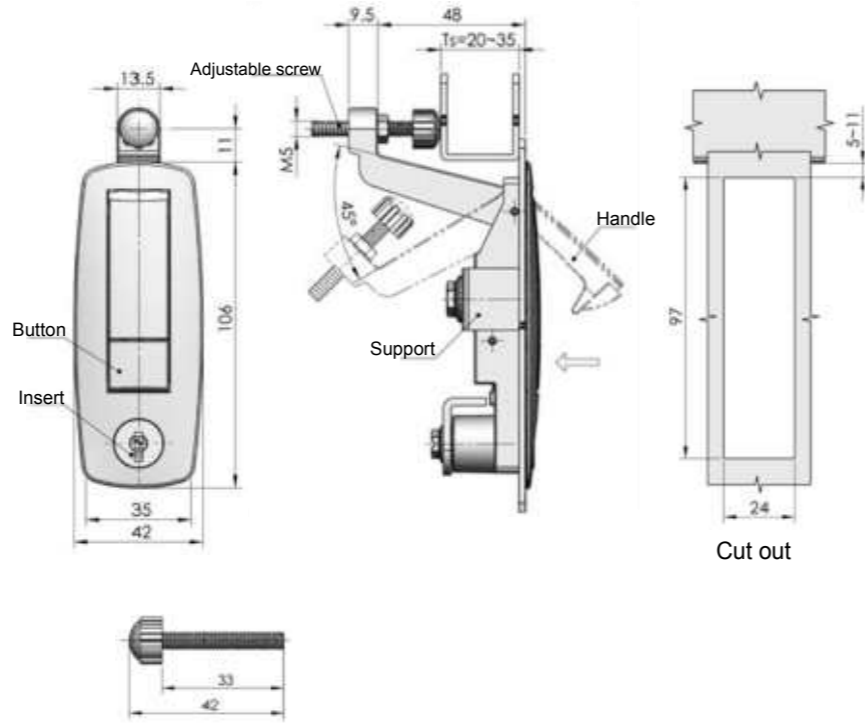
Main material and finish: Sand-blast ZDC housing, handle and button, zinc-plated steel screw
Application: Quick-open design, easy installation. Adjusting screw on cam meets the need of distance control

Accessories
 Handle lock
 Cylinder lock
 Electronic lock
 Swing handle
 Rod control lock
 Panel lock
 Toggle and hook
 Handles
 Door stop
 Hinge
 Seal gasket

MS718

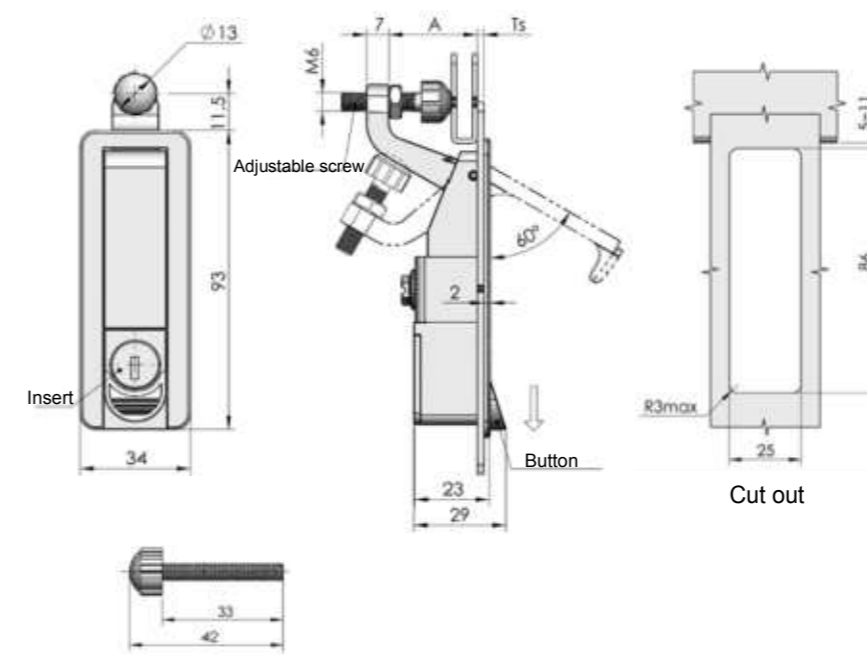


Main material and finish: Black powder coated ZDC housing, handle and button, ZDC insert, white zinc plated steel screw
Application: Quick-open, easy assembling, by adjusting screw meets the need of distance control
Remarks: Default key k180



Remarks: Default adjusting screw, others on request

ERP	MS718Z1A180001
-----	----------------



Remarks: Default adjusting screw, others on request

Specification	A=29	A=50
With insert	MS719Z1A020001	MS719Z1A020002
Without insert	MS719Z1A000001	MS719Z1A000002

MS719



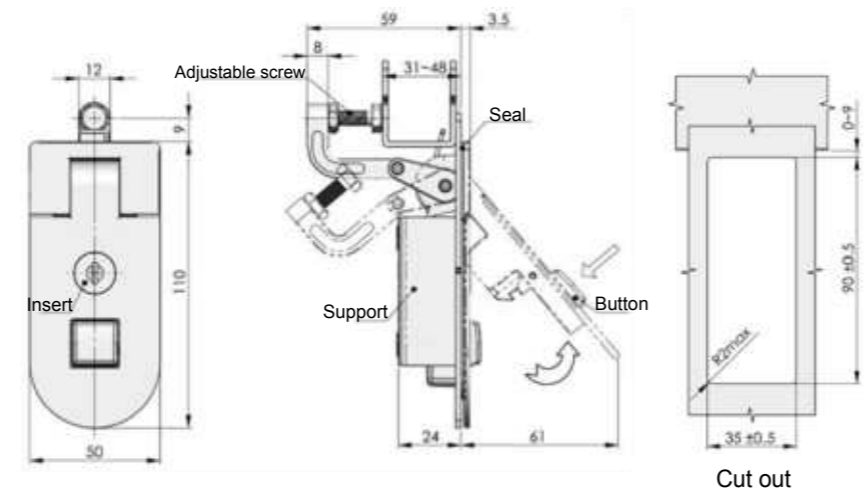
Main material and finish: Black powder coated ZDC housing, handle, insert and button, white zinc plated steel screw
Application: Quick-open, easy assembling, by adjusting screw meets the need of distance control
Remarks: Default key k020

Accessories
 Handle lock
 Cylinder lock
 Electronic lock
 Swing handle
 Rod control lock
 Panel lock
 Toggle and hook
 Handles
 Door stop
 Hinge
 Seal gasket

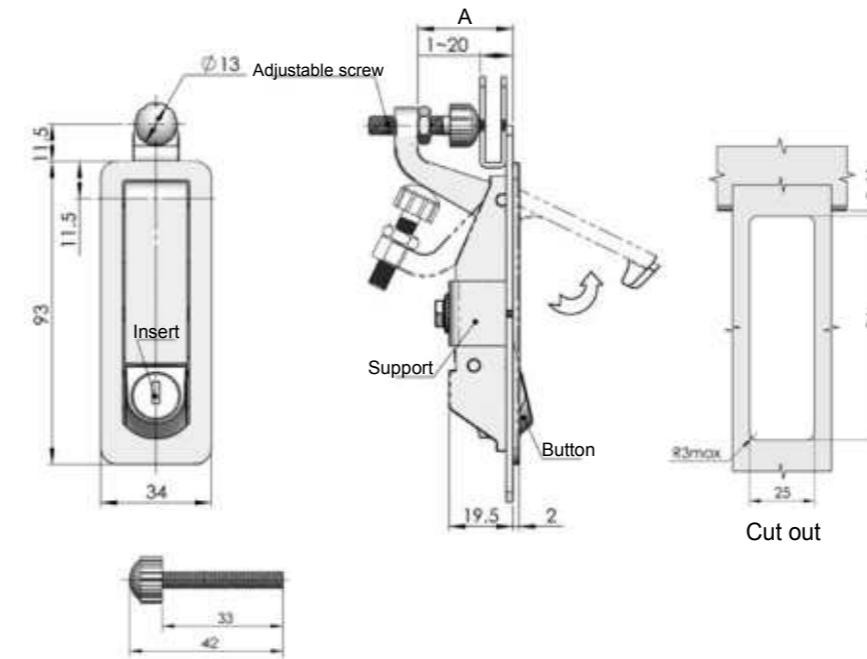
MS718-3



Main material and finish: Black powder coated ZDC housing, handle, insert and button, white zinc plated steel screw
Application: Quick-open, easy assembling, by adjusting screw meets the need of distance control
Remarks: Default key K160



ERP	MS718Z1A160001
-----	----------------



Remarks: Default adjusting screw, others on request

Specification	A=29	A=50
With insert	MS719Z2A020001	MS719Z2A020002
Without insert	MS719Z2A000001	MS719Z2A000002

MS719-1C



Main material and finish: Black painted ZDC housing, handle, insert and button, white zinc plated steel screw
Application: Quick-open, easy assembling, by adjusting screw meets the need of distance control
Remarks: Default key k020

Accessories
 Handle lock
 Cylinder lock
 Electronic lock
 Swing handle
 Rod control lock
 Panel lock
 Toggle and hook
 Handles
 Door stop
 Hinge
 Seal gasket

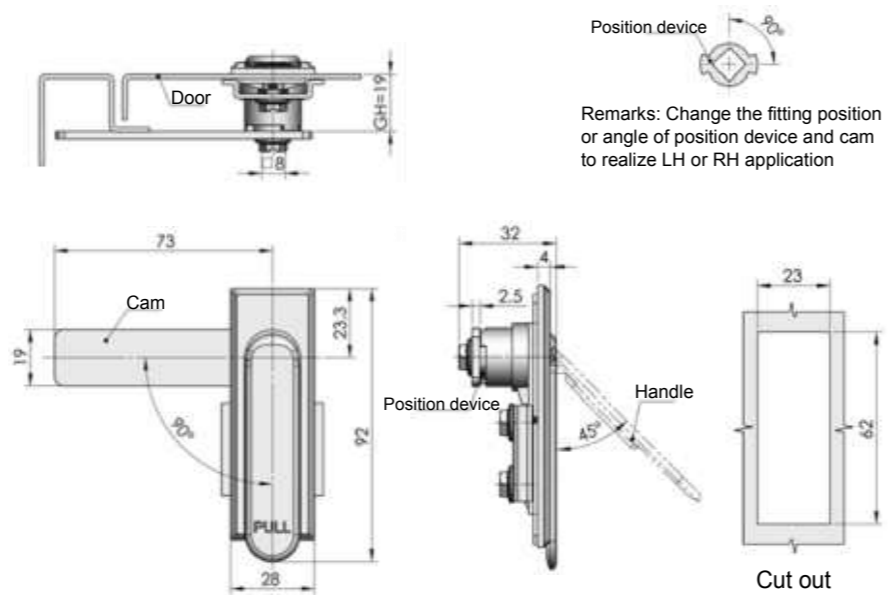
MS717-1



RL

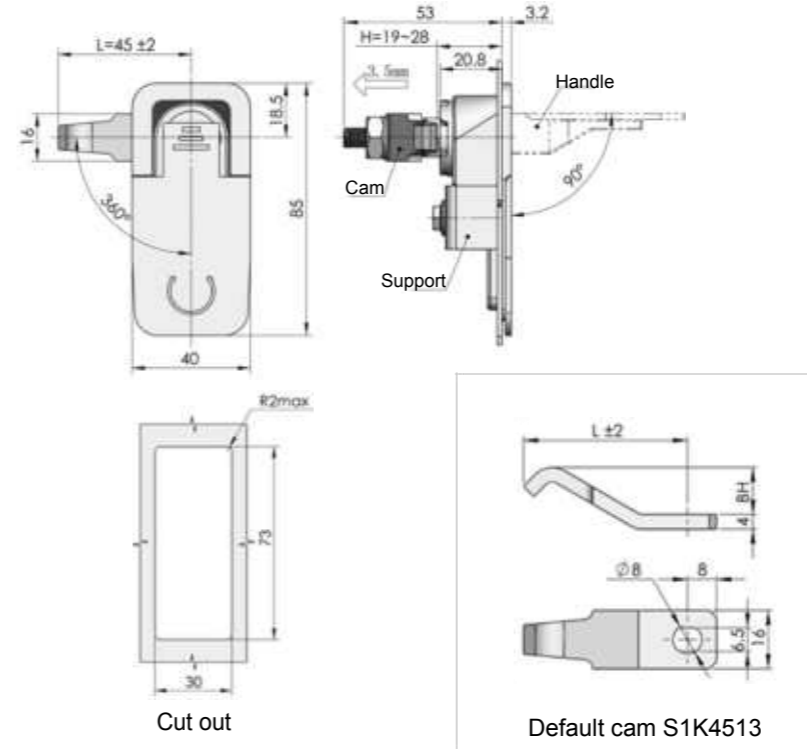
Main material and finish: Black painted ZDC housing and handle, white zinc plated steel support and cam
Application: Quick-open, easy assembling, H variable

Default cam: S1B73Y00001



ERP	MS717Z2A000001
-----	----------------

Remarks : ERP excludes Cam



	Black powder coated housing, handle	Bright chrome-plated housing, handle	Nanometer painted housing, handle
ERP	MS726Z1A000001	MS726Z3A000001	MS726Z2B000001

Remarks : ERP excludes Cam

MS726-1



RL

Main material and finish: ZDC housing and handle, white zinc plated steel support and cam
Application: Quick-open, easy assembling. H variable by adjusting nut

Default cam: S1K45Y13009

Accessories
 Handle lock
 Cylinder lock
 Electronic lock
 Swing handle
 Rod control lock
 Panel lock
 Toggle and hook
 Handles
 Door stop
 Hinge
 Seal gasket

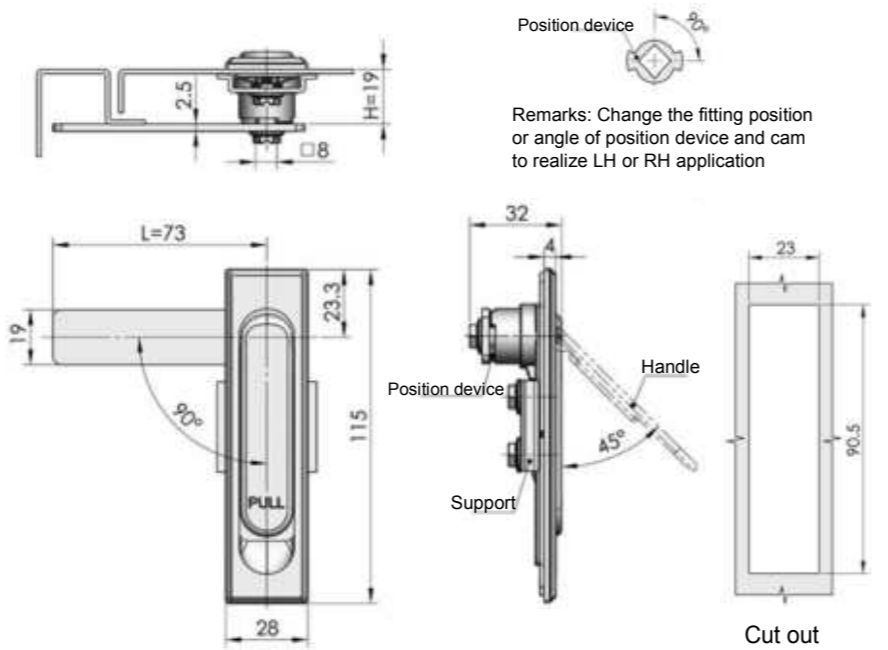
MS717-2



RL

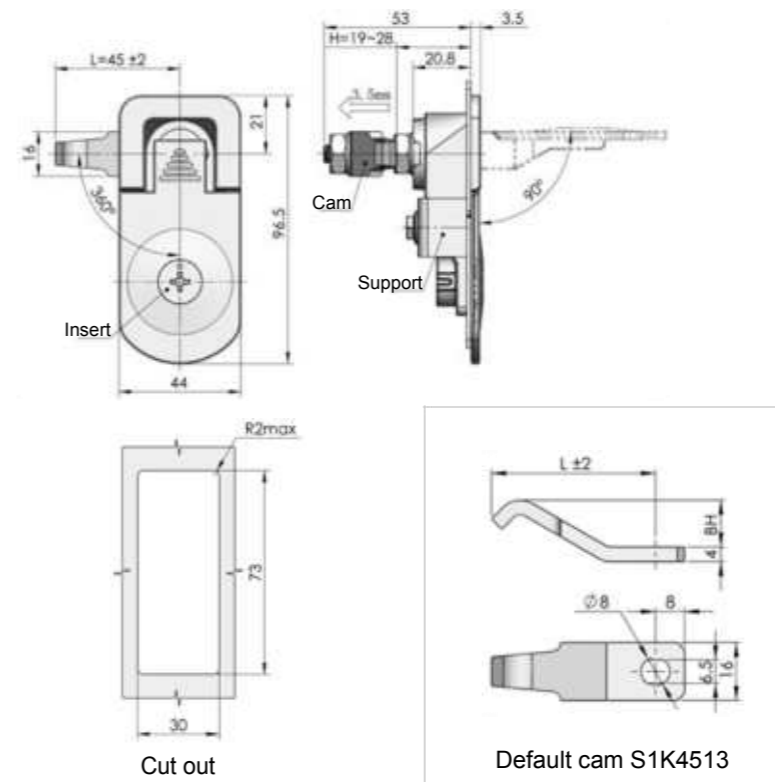
Main material and finish: Black powder coated ZDC housing and handle, white zinc plated steel support and cam
Application: Quick-open, easy assembling, H variable

Default cam: S1B73Y00001



ERP	MS717Z2A000004
-----	----------------

Remarks : ERP excludes Cam



ERP	MS726Z3H000003
-----	----------------

Remarks : ERP excludes Cam

MS726-1A



RL

Main material and finish: Sand-spraying and bright chrome-plated ZDC housing, handle and insert, white zinc plated steel support and cam
Application: Quick-open, easy assembling, H variable by adjusting nut

Default cam: S1K45Y13009

Accessories
 Handle lock
 Cylinder lock
 Electronic lock
 Swing handle
 Rod control lock
 Panel lock
 Toggle and hook
 Handles
 Door stop
 Hinge
 Seal gasket

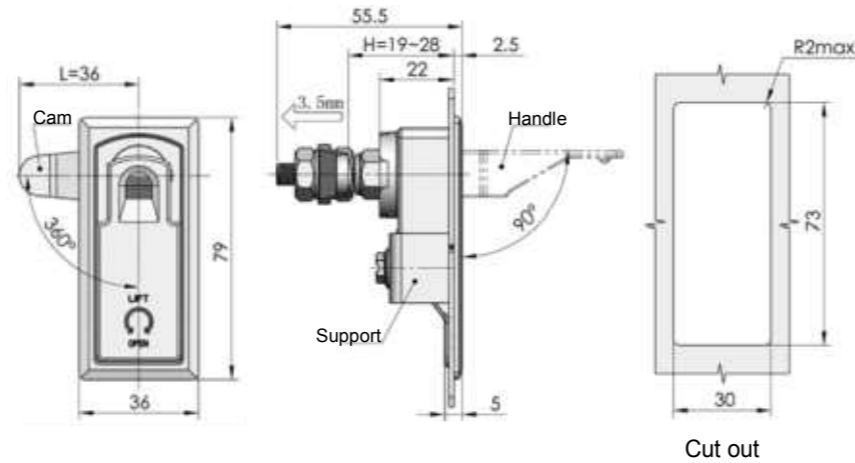
MS726-2



Main material and finish: ZDC housing and handle. white zinc plated steel support and cam

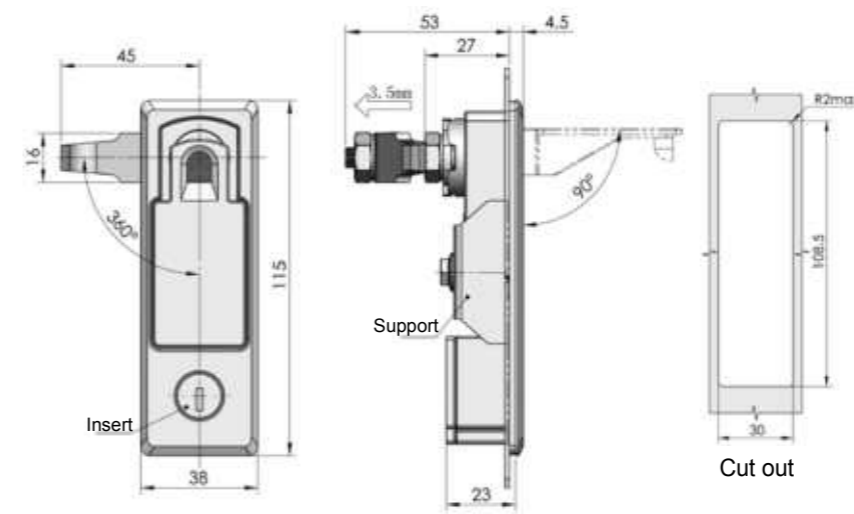
Application: Quick-open, easy assembling. H variable by adjusting nut

Default cam: S1K36Y06002



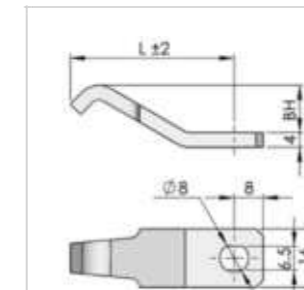
	Black powder coated housing, handle	Bright chrome-plated housing, handle	Nanometer painted housing, handle
ERP	MS726Z1A000004	MS726Z3A000002	MS726Z2B000004

Remarks: ERP excludes cam (Cutout $\varnothing 8 \times 6.5$)



ERP MS727Z1A020002

Remarks : ERP excludes Cam



Default cam S1K4513

MS727



Main material and finish: Black powder coated insert, white zinc plated steel support and cam

Application: Quick-open , easy assembling, H variable by adjusting nut

Remarks: Default key K020

Default cam: S1K45Y13009

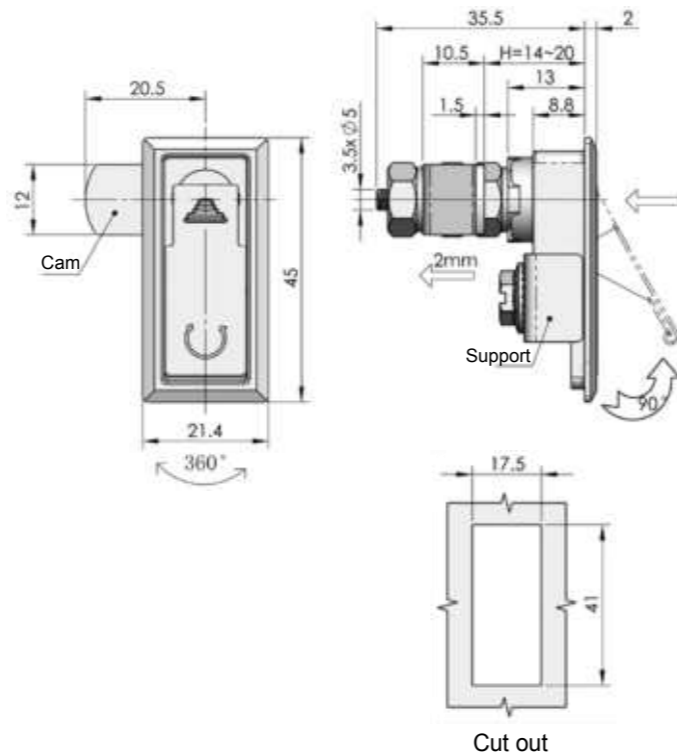
MS726-3



Main material and finish: Black painted ZDC housing and handle, white zinc plated steel support and cam

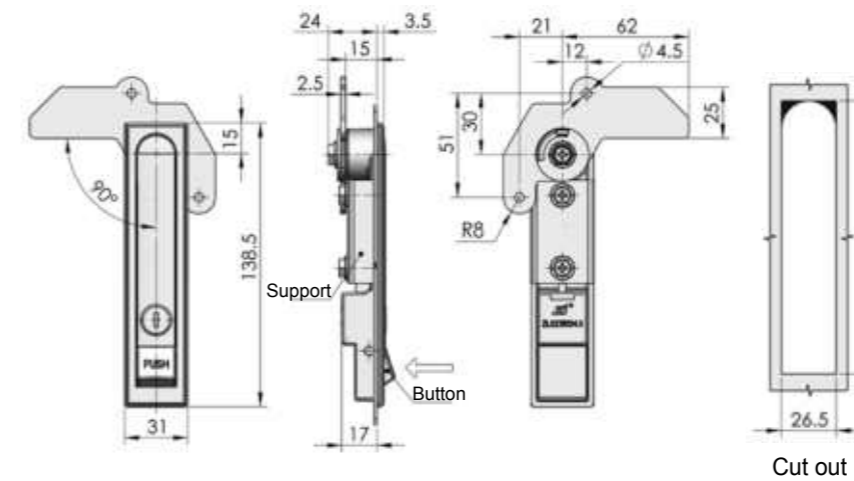
Application: Quick-open , easy assembling, H variable by adjusting nut

Default cam: S1W21Y09001



ERP MS726Z2A000001

Remarks : ERP excludes Cam



Optional cam S1C3700D Optional cam S1C3621D Optional cam S2C2100

Remarks : Optional cam refer to drawings separately

ERP MS710Z2B010002

Remarks : ERP excludes Cam

MS710



Main material and finish: Nanometer painted ZDC housing and handle, ZDC insert, white zinc-plated steel support and cam

Application: Quick-open , easy assembling. One-point locking or three-point locking function will be achieved with different cam mounted on

Remarks: Default key k010

Default cam: S3C62Y00003

Accessories
 Handle lock
 Cylinder lock
 Electronic lock
 Swing handle
 Rod control lock
 Panel lock
 Toggle and hook
 Handles
 Door stop
 Hinge
 Seal gasket

MS736



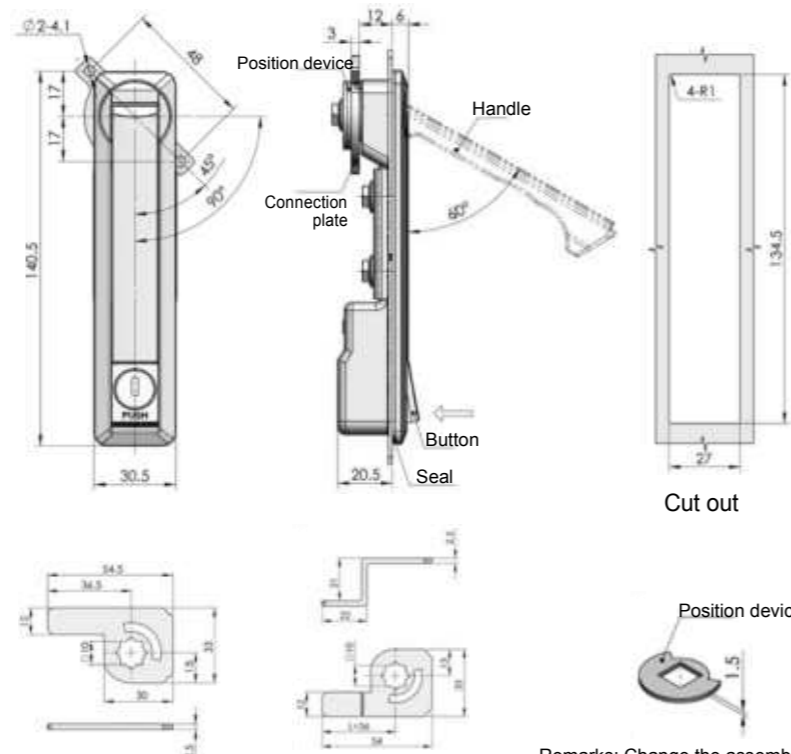
RL

Main material and finish: Nanometer painted ZDC housing and handle, ZDC insert, white zinc plated steel support and cam

Application: Quick-open, easy assembling, one-point locking or three-point locking function will be achieved with different cam mounted on

Remarks: Default key k060

Default cam: 2893240002



Optional cam S1C3700D Optional cam S1C3621D

ERP MS736Z2B060001
 Remarks : ERP excludes Cam

Remarks: Change the assembling position of the position device and cam to adjust the stop height, thickness of position device is 1.5mm, change the fitting direction of position device to realize RH or LH application

MS737



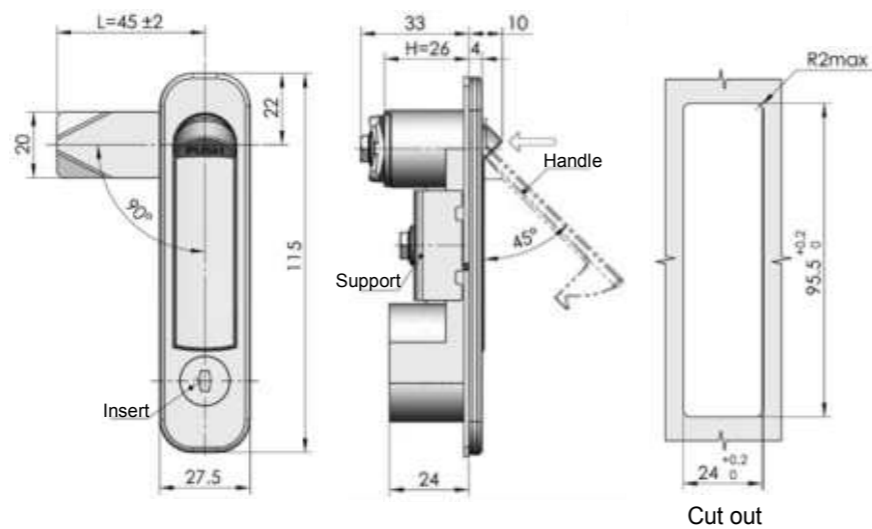
RL

Main material and finish: Nanometer painted ZDC housing and handle, ZDC insert, white zinc plated steel support and cam

Application: Quick-open, easy assembling, one-point locking or three-point locking function will be achieved with different cam mounted on.

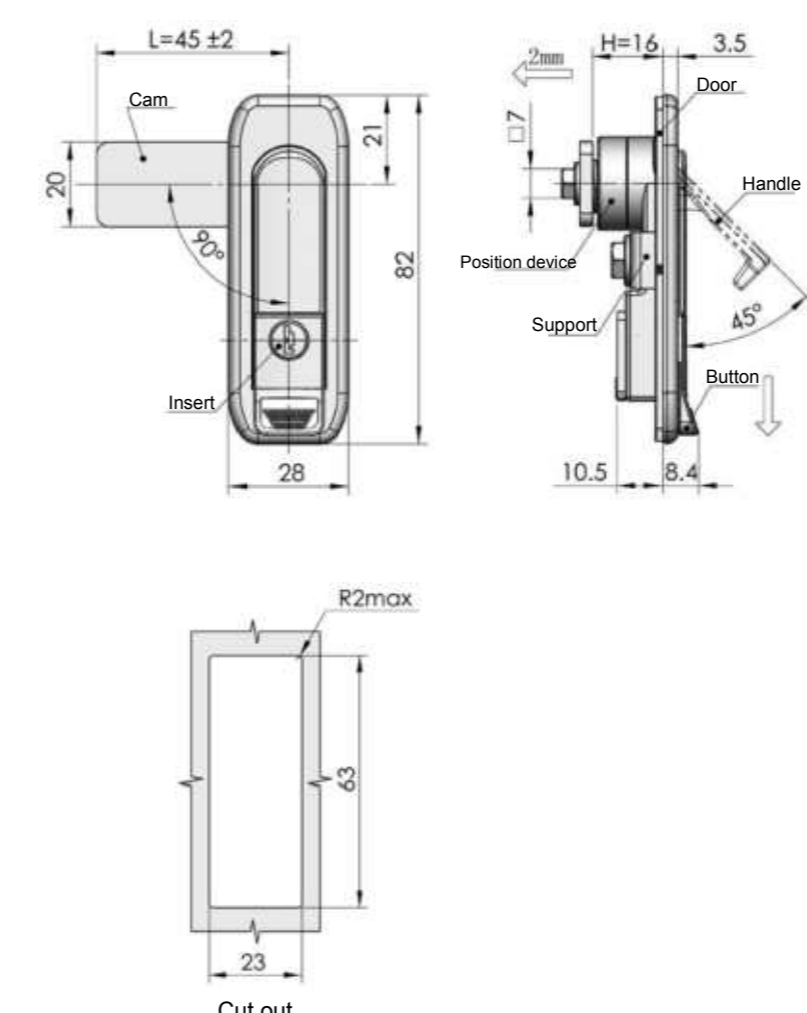
Remarks: Default key k110

Default cam: S1B45Y00002



ERP MS737Z2B110001

Remarks : ERP excludes Cam (Cutout square 8mm)



MS738



RL

Main material and finish: Nanometer painted ZDC housing, handle and button, ZDC insert, white zinc plated steel support and cam

Application: Quick-open, easy assembling, one-point locking or three-point locking function will be achieved with different cam mounted on

Remarks: Default key k110

Default cam: S1A45Y00004

Remarks: Change the fitting direction of position device and cam to realize RH or LH application

	With insert	Without insert
ERP	MS738Z2B110001	MS738Z2B000001

Remarks : ERP excludes Cam

Accessories
 Handle lock
 Cylinder lock
 Electronic lock
 Swing handle
 Rod control lock
 Panel lock
 Toggle and hook
 Handles
 Door stop
 Hinge
 Seal gasket

Accessories
Handle lock
Cylinder lock
Electronic lock
Swing handle
Rod control lock
Panel lock
Toggle and hook
Handles
Door stop
Hinge
Seal gasket



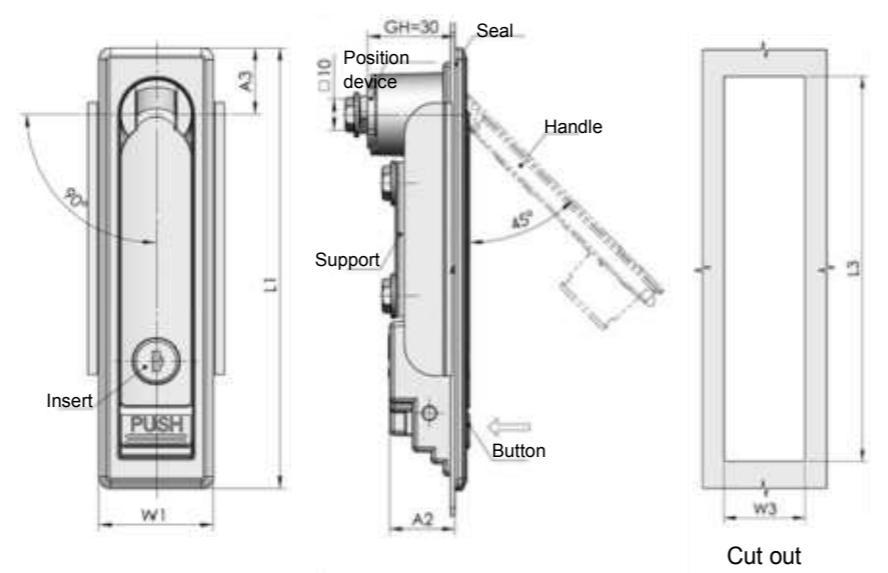
RL **IP 54**

Main material and finish: Nanometer painted ZDC housing and handle, ZDC insert, white zinc plated steel support and cam

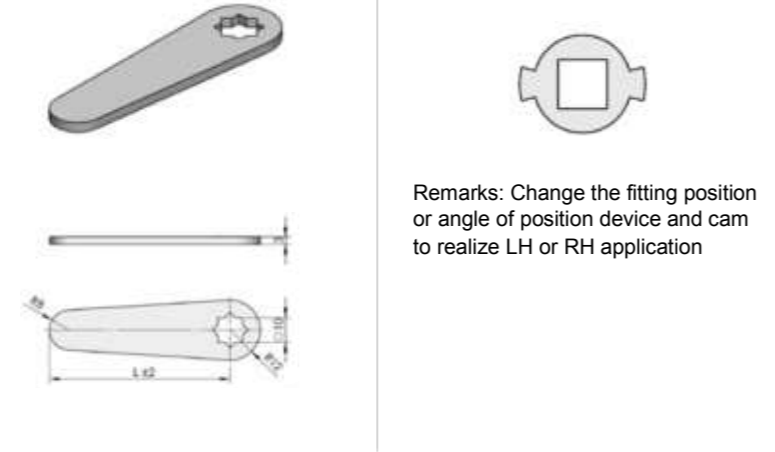
Application: Quick-open, easy assembling. One-point locking or three-point locking function will be achieved with different cam mounted on

Default cam: S1C72Y00002

MS712



S1C Series

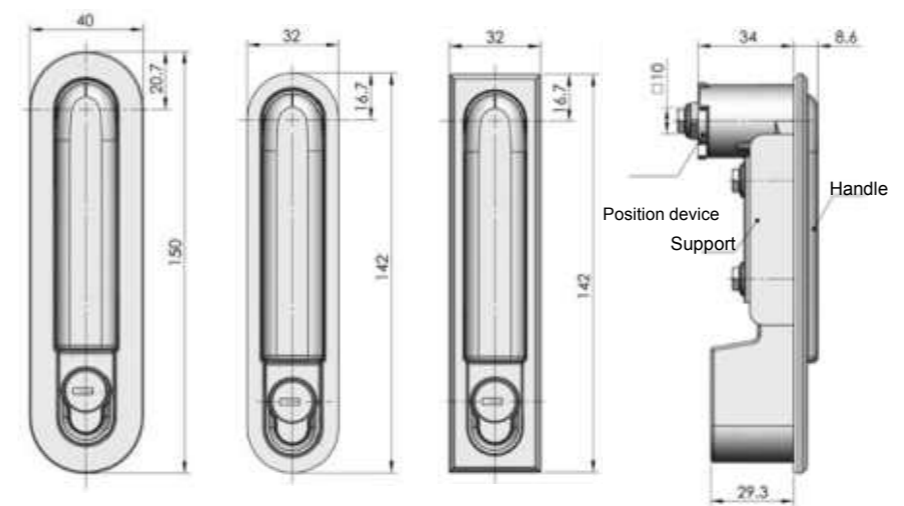


Remarks: See P008

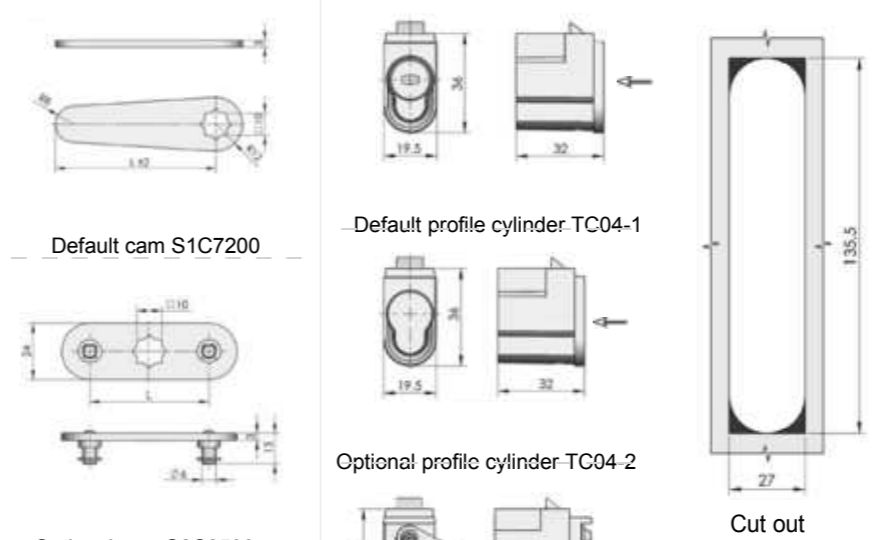
Remarks: Change the fitting position or angle of position device and cam to realize LH or RH application

Cam	ERP	L 1	L 2	L 3	L 4	L 5	L 6	L 7	L 8	Cam	Default key
MS712		149	139.5	38	29.5	30	22	22.5		S1C7200	K040
	MS712Z2B040001	132	124	33.5	27.5	30	22	17		S1C7200	K110
MS713		92	84	33.5	27.5	30	22	17		S1C7200	K110
MS713-2A	MS712Z2B110001	110	102	33.5	27	30	22	17		S1C6200	K090
MS712-3A	MS712Z2B110002										
	MS713Z2B090001										

Remarks : ERP excludes Cam



MS818-2C MS818-1C MS818-1S



Optional cam S2C2500 S2C2000

Optional cam S3C8800

Optional profile cylinder TC06-1

Remarks: Change the fitting position or angle of position device and cam to realize LH or RH application

Program	ERP	
	Black satin powder coated	Nanometer matte painted
MS818-1C	MS818A1A040001	MS818A2B040001
MS818-2C	MS818A1A040003	MS818A2B040003
MS818-1S	MS818A1A040002	MS818A2B040002

Remarks : ERP excludes Cam

MS818



MS818-1S



MS818-1C



MS818-2C

RL **3PL**

Main material and finish: Black powder coated aluminium-alloy housing and ZDC handle, bright chrome plated ZDC profile cylinder, white zinc plated steel support and cam

Application: Quick-open, easy assembling. one-point locking or three-point locking function will be achieved with different cam mounted on

Remark : Default profile cylinder TC04-1, default key K040

Default cam: S1C72Y00002

Accessories
Handle lock
Cylinder lock
Electronic lock
Swing handle
Rod control lock
Panel lock
Toggle and hook
Handles
Door stop
Hinge
Seal gasket

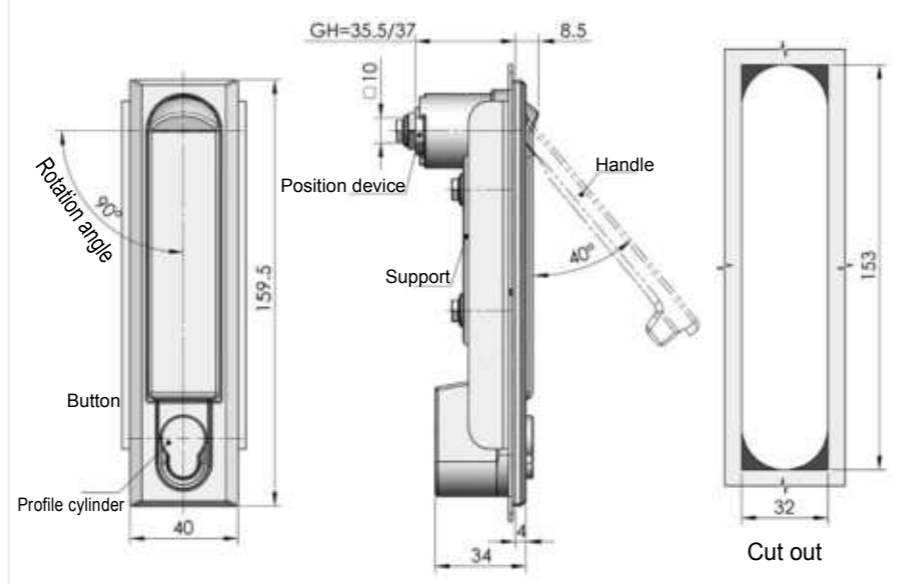
Accessories
Handle lock
Cylinder lock
Electronic lock
Swing handle
Rod control lock
Panel lock
Toggle and hook
Handles
Door stop
Hinge
Seal gasket

MS818-3B



Main material and finish: ZDC handle, bright chrome-plated ZDC profile cylinder, white zinc-plated steel support and cam
Application: Quick-open, easy assembling, change cam to have one-point or three-point locking function
Remarks: Default profile cylinder TC04-2, default key K040

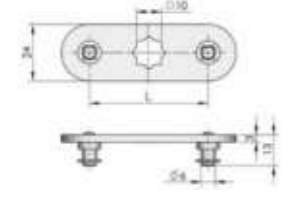
Default cam: S3C72Y00002



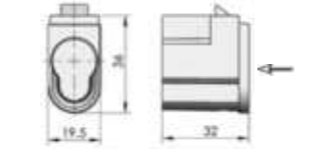
Default cam S3C7200



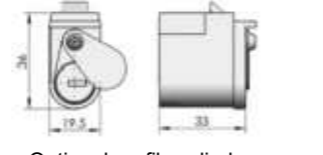
Default profile cylinder TC04-1



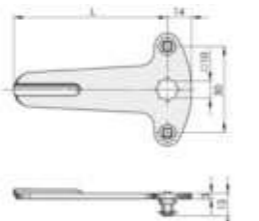
Optional cam S2C2500
S2C2000



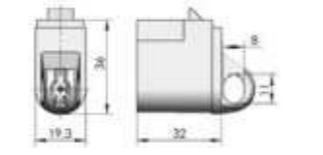
Optional profile cylinder TC04-2



Optional profile cylinder TC05-1/TC05-2



Optional cam S3C8800



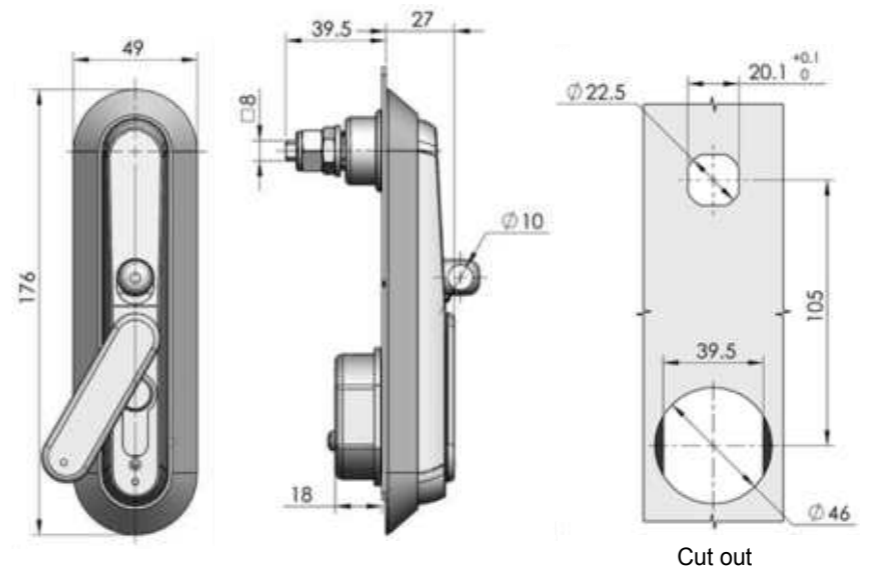
Optional profile cylinder TC06-1



Remarks: Change the fitting position or angle of position device and cam to suit LH or RH application

	Black powder coated housing and handle	Nanometer painted housing and handle
ERP	MS818Z1A000001	MS818Z2B000001

Remarks : ERP excludes Cam



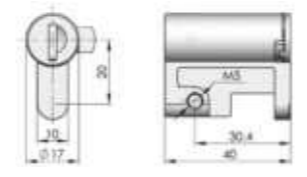
MS839



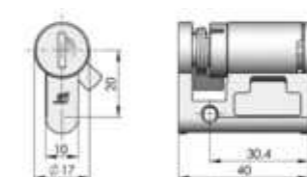
Main material and finish: Pocked black powder coated handle and housing, bright chrome-plated profile cylinder, white zinc-plated steel support and cam
Application: Lead sealable, stop height is variable according to the adjusting nut on cam
Remarks: Default TC01 profile cylinder, default key K140

Default Cam: S1C72Y00002

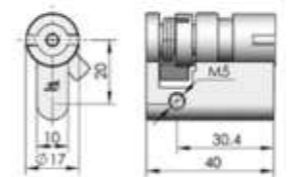
TC01(Default)



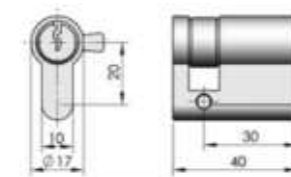
TC01-2(Optional)



TC02-1(Optional)



TC03-1(Optional)



Specification	ERP
ZDC handle and housing (Without padlock)	MS839Z1B140001
ZDC handle and housing (With padlock)	MS839Z1B140002
ZDC handle and PA housing (Without padlock)	MS839N00140001
ZDC handle and PA housing (With padlock)	MS839N00140002

Accessories
Handle lock
Cylinder lock
Electronic lock
Swing handle
Rod control lock
Panel lock
Toggle and hook
Handles
Door stop
Hinge
Seal gasket

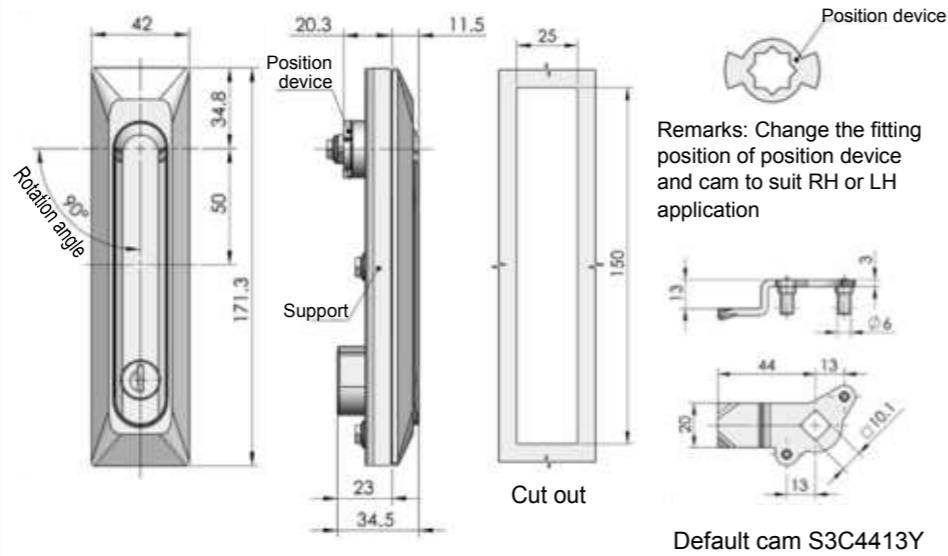
MS861



RL **IP 54**

Main material and finish: Pocked black power coated ZDC housing and handle, white zinc-plated steel cam, stainless steel shaft
Application: Open the handle upward quarter-turn opening, adding electronic shielding part to have function of shielding
Remarks: Default key K140

Default cam: S3C44Y13005(Right)
S3C44Y13002(Left)



	Pocked black powder coated housing and handle	Nanometer painted housing and handle
ERP	MS861Z1B140002	MS861Z2B140002

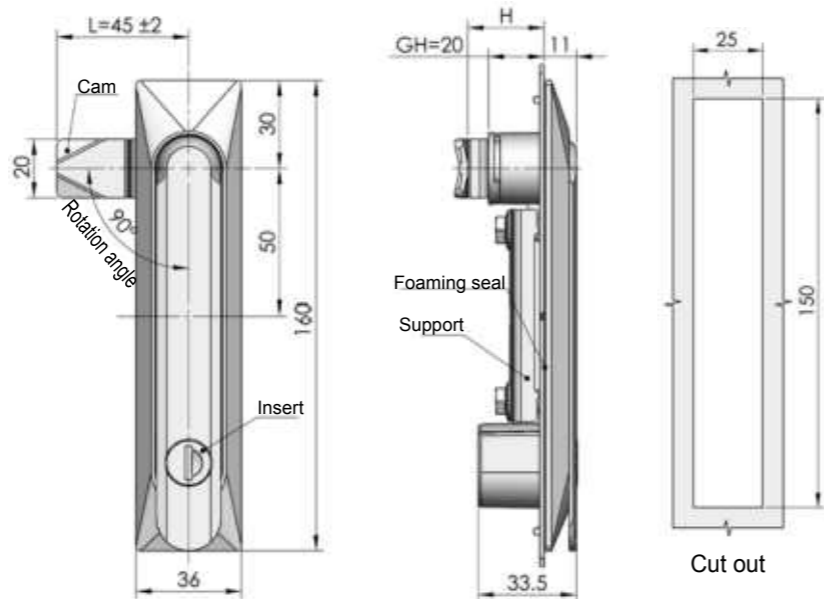
Remarks: ERP excludes cam (cutout square 10mm)

MS861-2



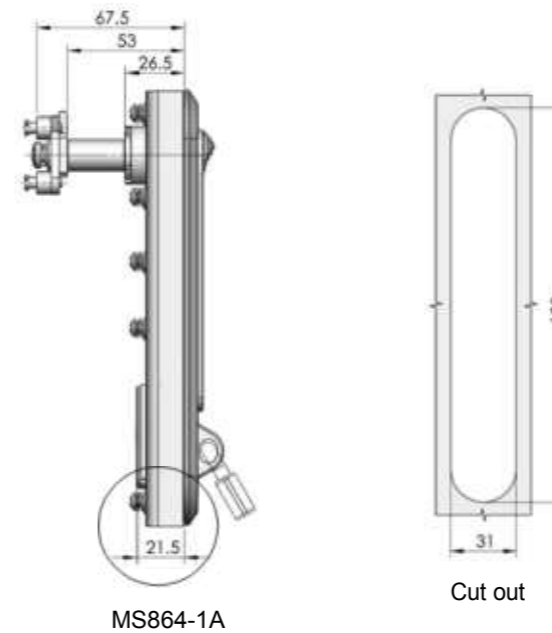
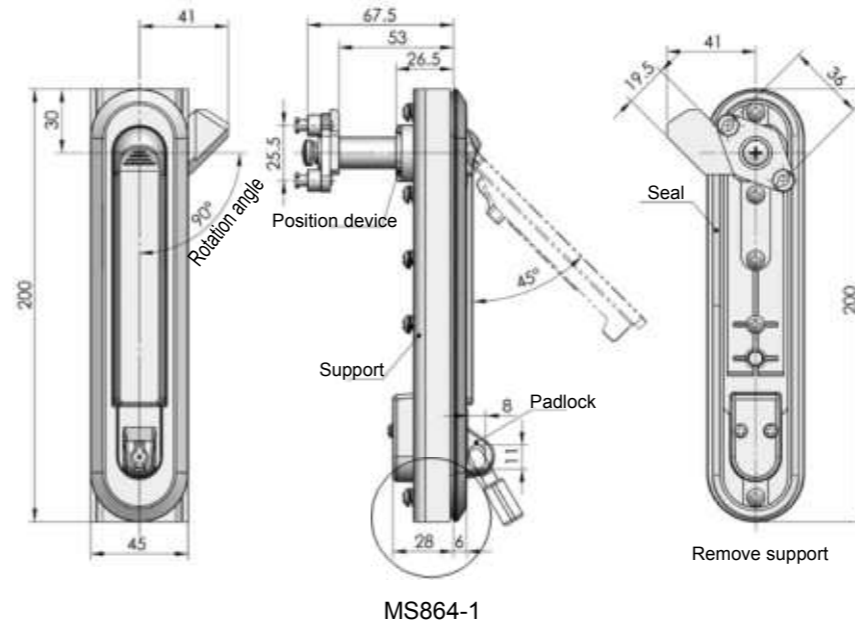
RL **IP 54**

Main material and finish: ZDC housing, handle and shaft, white zinc-plated steel cam
Application: Open the handle upward, quarter-turn rotation opening
Remarks: Default K140 key



	Pocked black powder coated housing and handle	Nanometer painted housing and handle
ERP	MS861Z1B140002	MS861Z2B140002

Remarks: ERP excludes cam (Cutout square 10mm), cam optional refers to S1B cam list on P007



Remarks: Five optional profile cylinder for MS864-1, TC04~TC06-1(See P029), default profile cylinder TC06-1, the only difference from MS864-1A is the end height of housing, MS864-1A optional profile cylinder TC06-2, TC06-3, TC06-4, default profile cylinder TC06-2(See P029)

	MS864-1	MS864-1A
ERP	MS864Z1A290001	MS864Z1A290003

Remarks: Cam cutout square 10mm

Remarks : Change the fitting position of position device and cam to suit RH and LH application

MS864-1 MS864-1A



RL **IP 65** **3PL**

Main material and finish: Black powder coated ZDC housing and handle, ZDC shaft, white zinc-plated steel cam
Application: Open the handle upward, quarter-turn rotation opening, padlockable
Remarks: MS864-1 default profile cylinder TC06-1
MS864-1A default profile cylinder TC06-4
Default key K290

Accessories
 Handle lock
 Cylinder lock
 Electronic lock
 Swing handle
 Rod control lock
 Panel lock
 Toggle and hook
 Handles
 Door stop
 Hinge
 Seal gasket

MS863

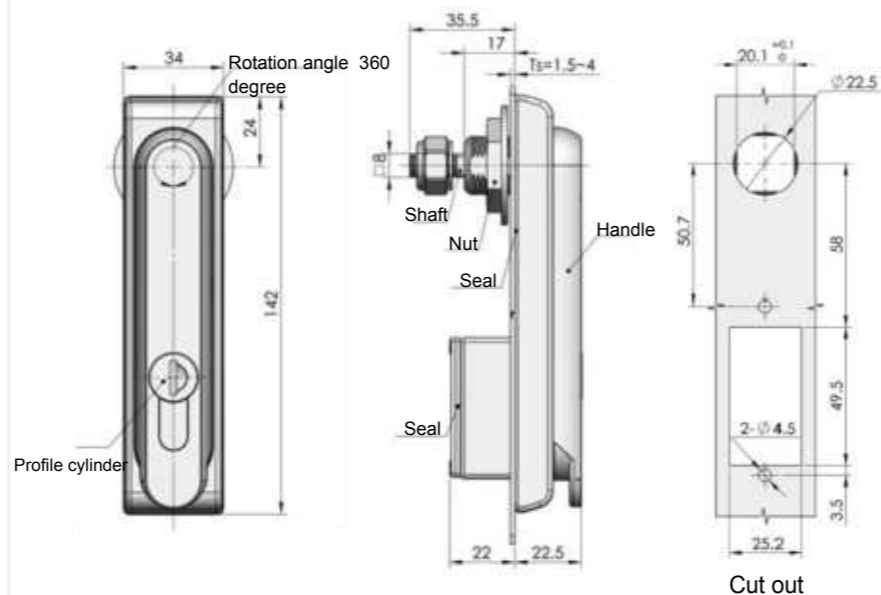


RL **IP 64**

Main material and finish: ZDC housing, handle, and profile cylinder, stainless steel cam and shaft

Application: Open the handle upward, 360 degree rotation opening

Remarks: Default profile cylinder TC01, default key K140



	White housing and handle ZDC	Yellow housing and handle coated
	MS863Z2B140001	MS863Z1E140001

MS874

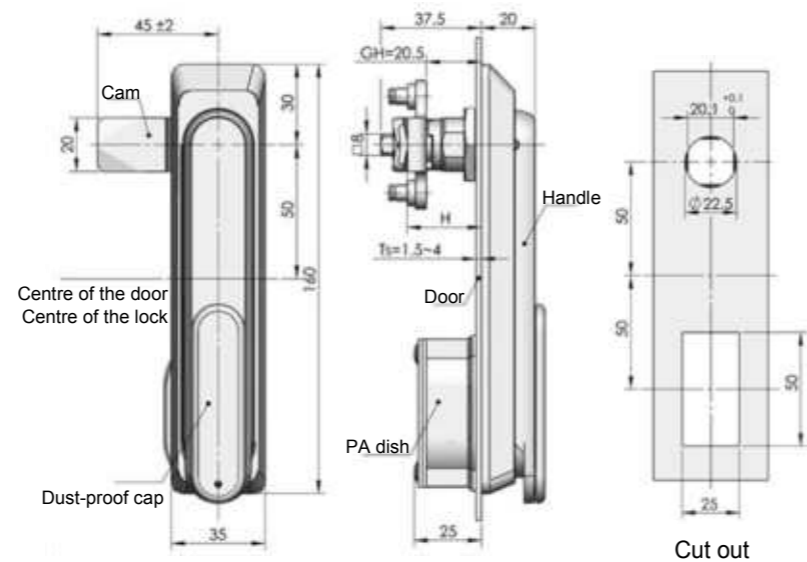


RL **IP 54** **3PL** **INOX**
AISI 316

Main material and finish: Stainless steel lock-body and cam, PA dish

Application: Open the handle upward, quarter-turn opening or closing

Remarks: Default profile cylinder TC01



Remarks: Default cam S3B4510, H=20.5+10, default profile cylinder TC01. Cam cutout square 8mm, optional cam, three-point, two-point or one-point cam, see cam list on P007

	MS874S4BE03001
--	----------------

Remarks : ERP excludes Cam

MS861-2A

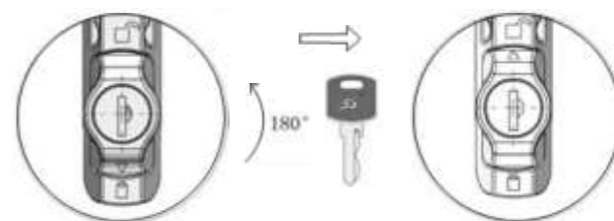
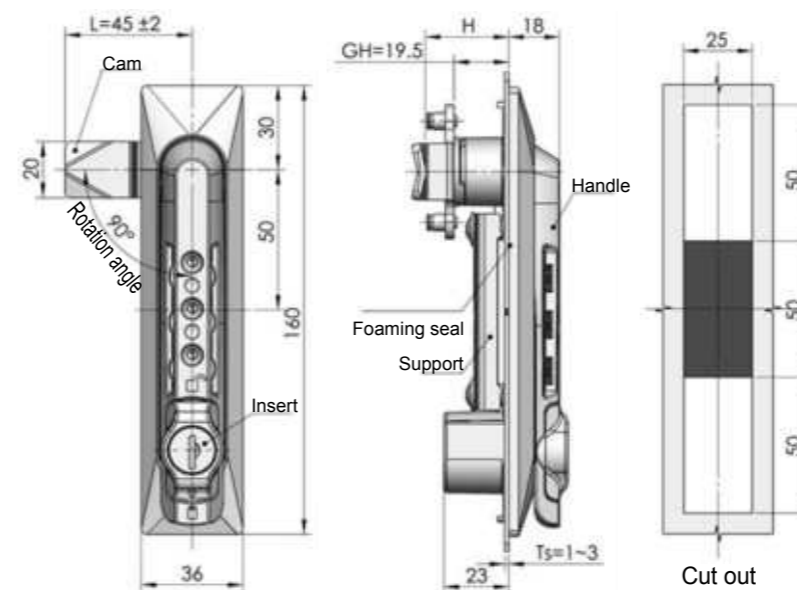


RL **IP 54** **3PL**

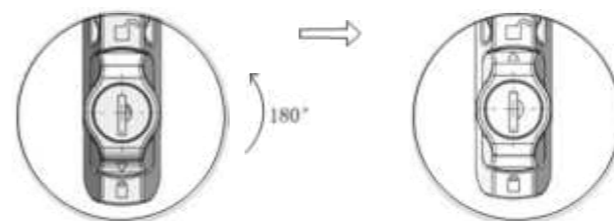
Main material and finish: Black PA housing, handle and knob, white zinc-plated steel cam and support

Application: Refer to instruction along with

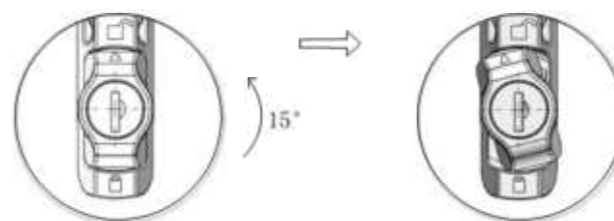
Remarks: Default key K140



Use key to open the lock, without password



Enter password to open the lock, open lock with password instead of key, original password: "0,0,0"



Change the password (It is correct), when knob indicates opening position, anti-clockwise rotation 15 degree to change the password

	MS861N00140001
--	----------------


Remarks: ERP excludes cam (Cutout square 8mm), cam optional refers to S3B cam list on P007

Accessories
 Handle lock
 Cylinder lock
 Electronic lock
 Swing handle
 Rod control lock
 Panel lock
 Toggle and hook
 Handles
 Door stop
 Hinge
 Seal gasket

Accessories
 Handle lock
 Cylinder lock
 Electronic lock
 Swing handle
 Rod control lock
 Panel lock
 Toggle and hook
 Handles
 Door stop
 Hinge
 Seal gasket

MS834-5

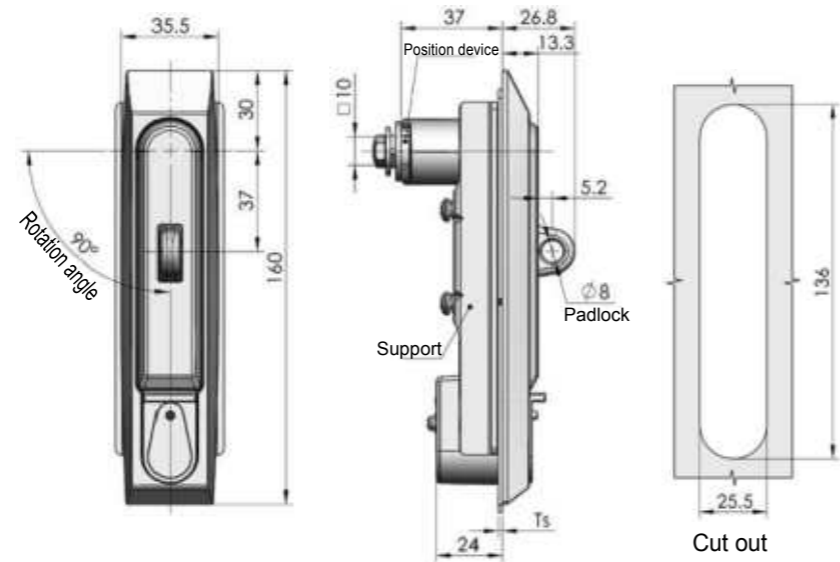


RL  **IP 64** **3PL**

Main material and finish: Black powder coated ZDC housing and handle, bright chrome-plated ZDC profile cylinder, stainless steel support

Application: Open the handle upward, quarter-turn opening or closing, padlockable


Remarks: Default key K043



ERP MS834Z1A043003

Remarks : ERP excludes cam (Cutout square 10mm), cam optional refers to S1C cam list on P008

MS884



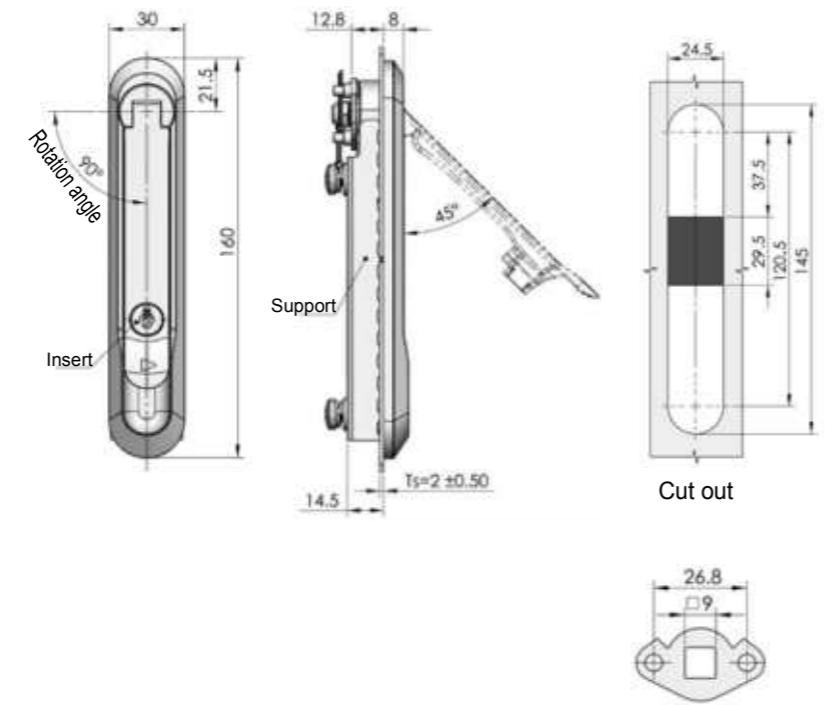
RL **3PL**

Main material and finish: Nanometer painted(PC+ABS)housing and handle, white zinc-plated steel support and cam

Application: Open the handle upward quarter-turn opening or closing, padlockable

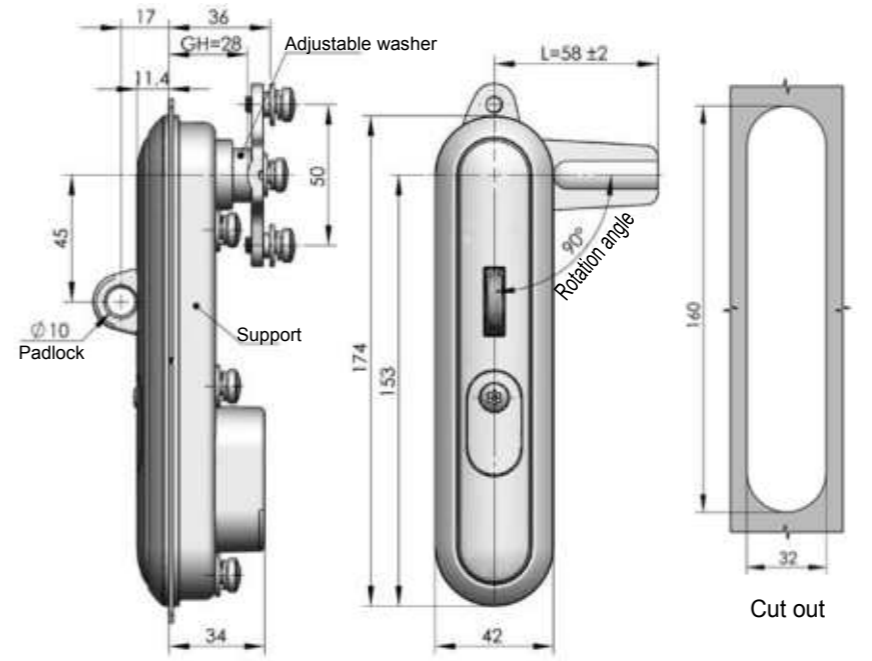
Remarks: Default key K440

Default cam: 2898840001

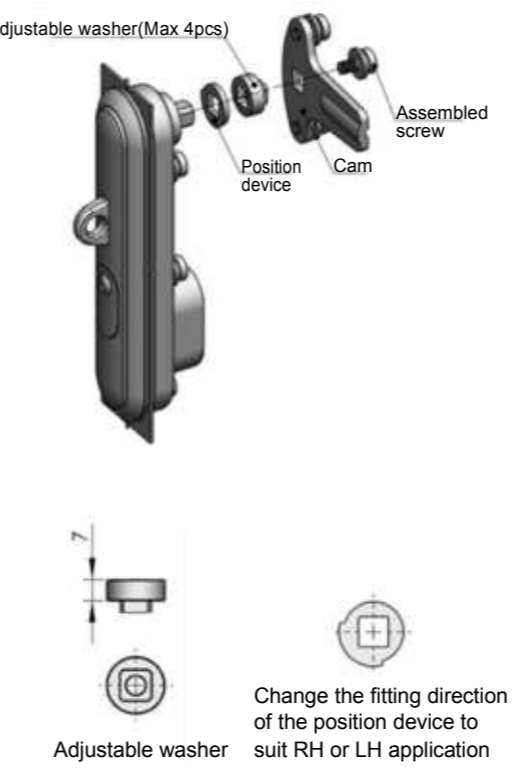


ERP MS884Z2B440001

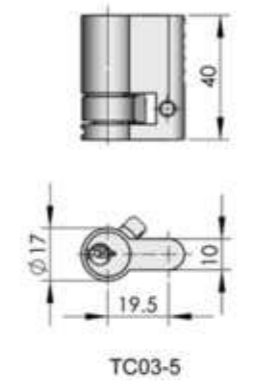
Remarks: Change the cam rotation angle to suit RH or LH application



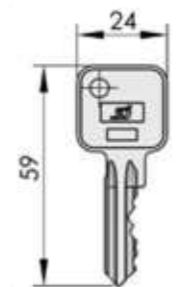
Exploded sketch



Default profile cylinder



Default key



	Without padlock	With padlock
ERP	MS864Z2EE03002	MS864Z2EE03003

Remarks: ERP excludes cam (Cutout square 10mm)

MS864-4



RL  **IP 64**

Main material and finish: Black painted ZDC housing and handle (high salt mist resistance)

Application: Quarter-turn opening or closing, position device direction to suit RH or LH application, padlockable

Remarks: Default profile cylinder TC03-5

Default cam: 2888648002

ERP MS864Z2EE03002

Remarks : ERP excludes cam (Cutout square 10mm), cam optional refers to S1C cam list on P008

Accessories
 Handle lock
 Cylinder lock
 Electronic lock
 Swing handle
 Rod control lock
 Panel lock
 Toggle and hook
 Handles
 Door stop
 Hinge
 Seal gasket

MS731-1



MS731-2

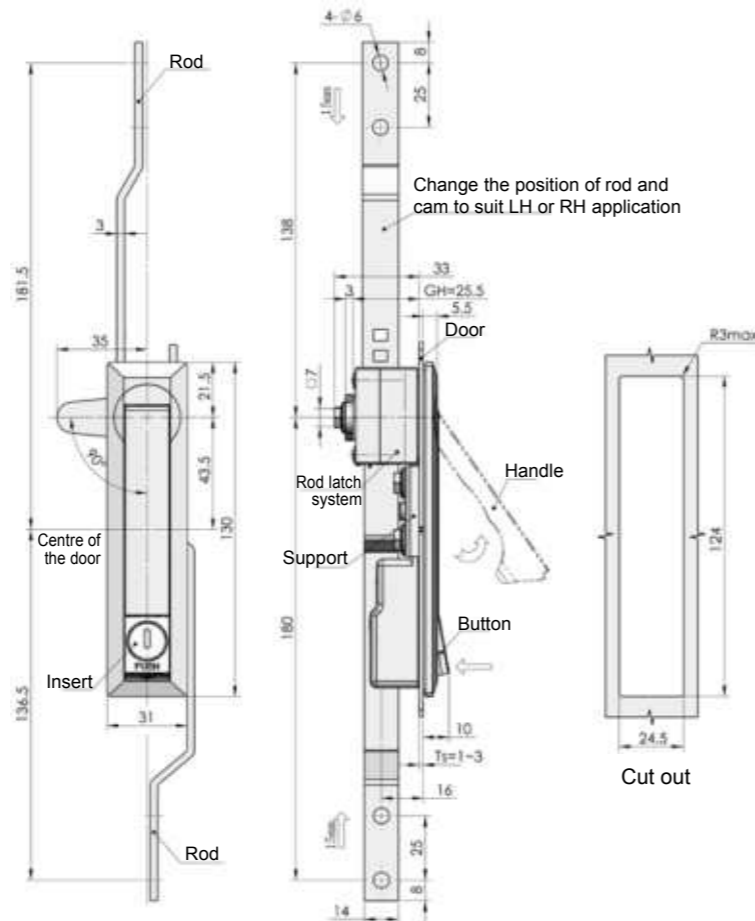


Main material and finish: ZDC housing, handle, button and rod latch, white zinc-plated steel cam and rod

Application: Quick-open, easy assembling, 90 degree handle rotation combines with rod latch to open or close

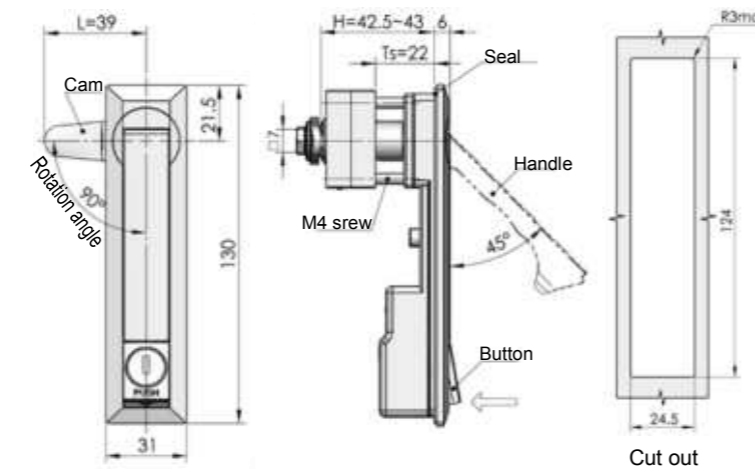
Remarks: Default key K060

MS731-1



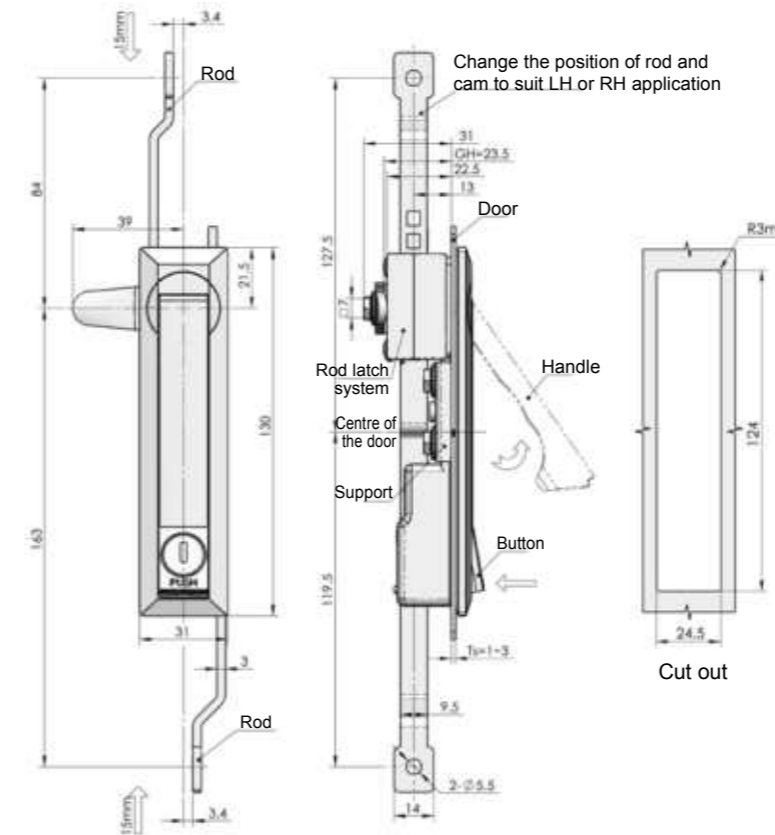
	Black painted housing, handle	Nanometer painted housing, handle
ERP	MS731Z2A060001	MS731Z2B060001

MS731-2



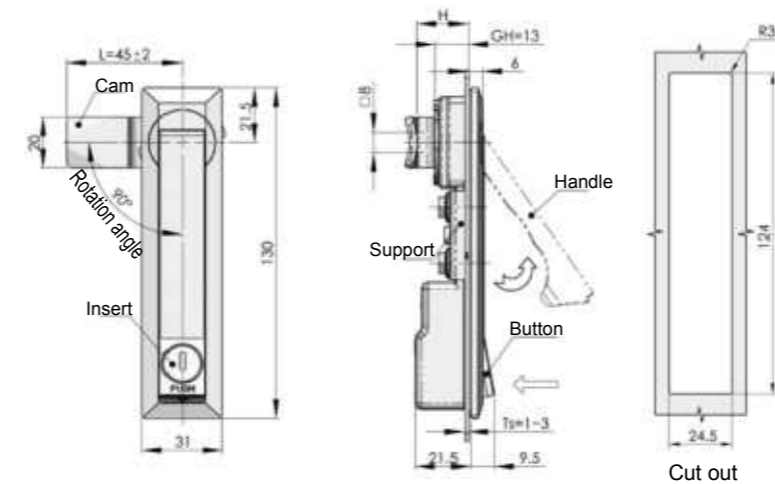
	Black painted housing, handle	Nanometer painted housing, handle
ERP	MS731Z2A060003	MS731Z2B060003

MS731-3



	Black painted housing, handle	Nanometer painted housing, handle
ERP	MS731Z2A060005	MS731Z2B060005

MS731-4



	Black painted housing, handle	Nanometer painted housing, handle
ERP	MS731Z2A060006	MS731Z2B060006

MS731-3



MS731-4



Main material and finish: ZDC housing, handle, button and rod latch, white zinc-plated steel cam

Application: Quick-open, easy assembling, 90 degree handle rotation combines with rod latch to open or close

Remarks: Default Key K060

MS820

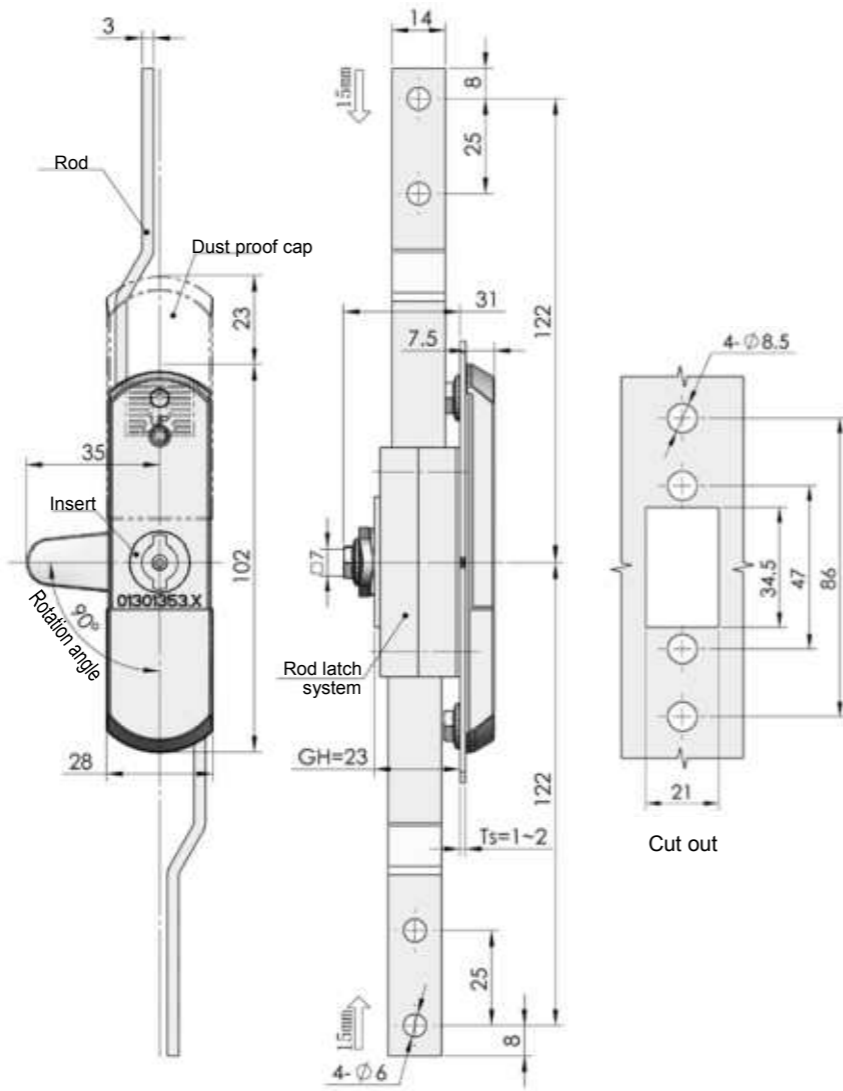


R L IP 40 3PL

Main material and finish: Nanometer painted ZDC panel, dust-proof cap and insert, white zinc-plated steel cam and rod latch

Application: Insert quarter-turn rotation combines with rod latch system to open or close

Remarks: Optional key K15-01C



Remarks: Keep rod and rod latch in place while removing the cam and insert, rotating the rod latch in 180° to suit RH or LH application

Specification	ERP	
	Nanometer painted	Black painted
Hooked	MS820Z2BT03001	MS820Z1AT03001
Triangular 8mm	MS820Z2BT04001	
Cross insert	MS820Z2BE02001	

MS820-1A

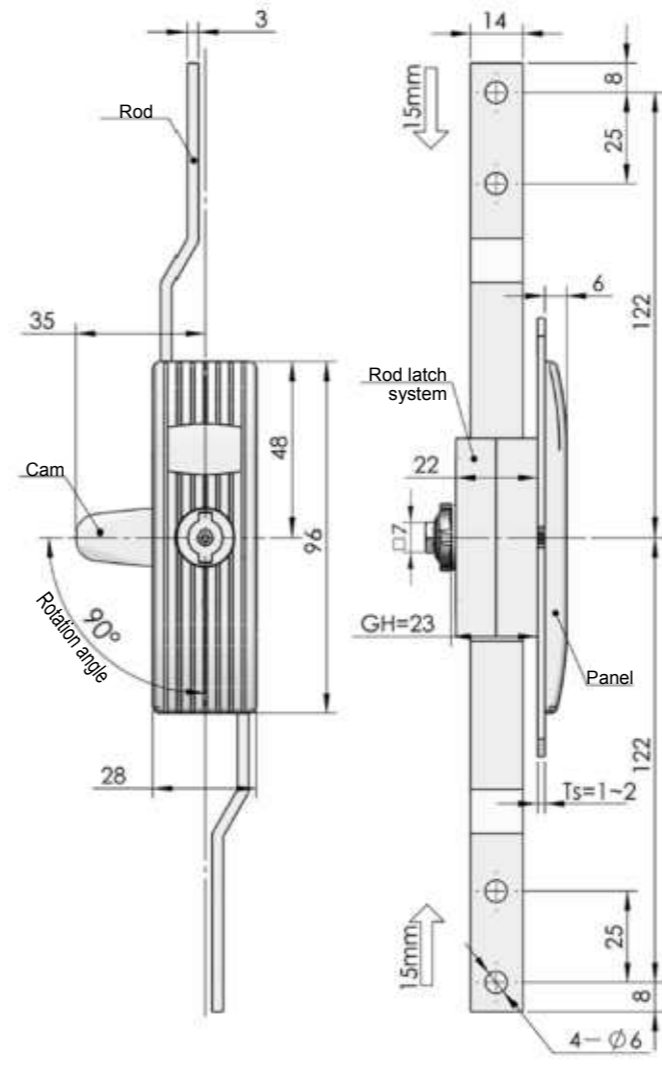


R L IP 40 3PL

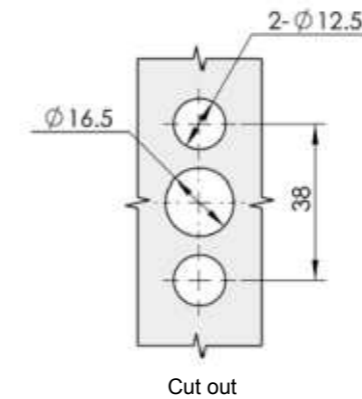
Main material and finish: Nanometer painted ZDC insert and ABS panel, white zinc-plated steel cam and rod latch

Application: Insert quarter-turn rotation combines with rod latch system to open or close

Remarks: Optional key K15-01C



Remarks: Keep rod and rod latch in place while removing the cam and insert, rotating the rod latch in 180° to suit RH or LH application



ERP MS820N2BT03001

MS821

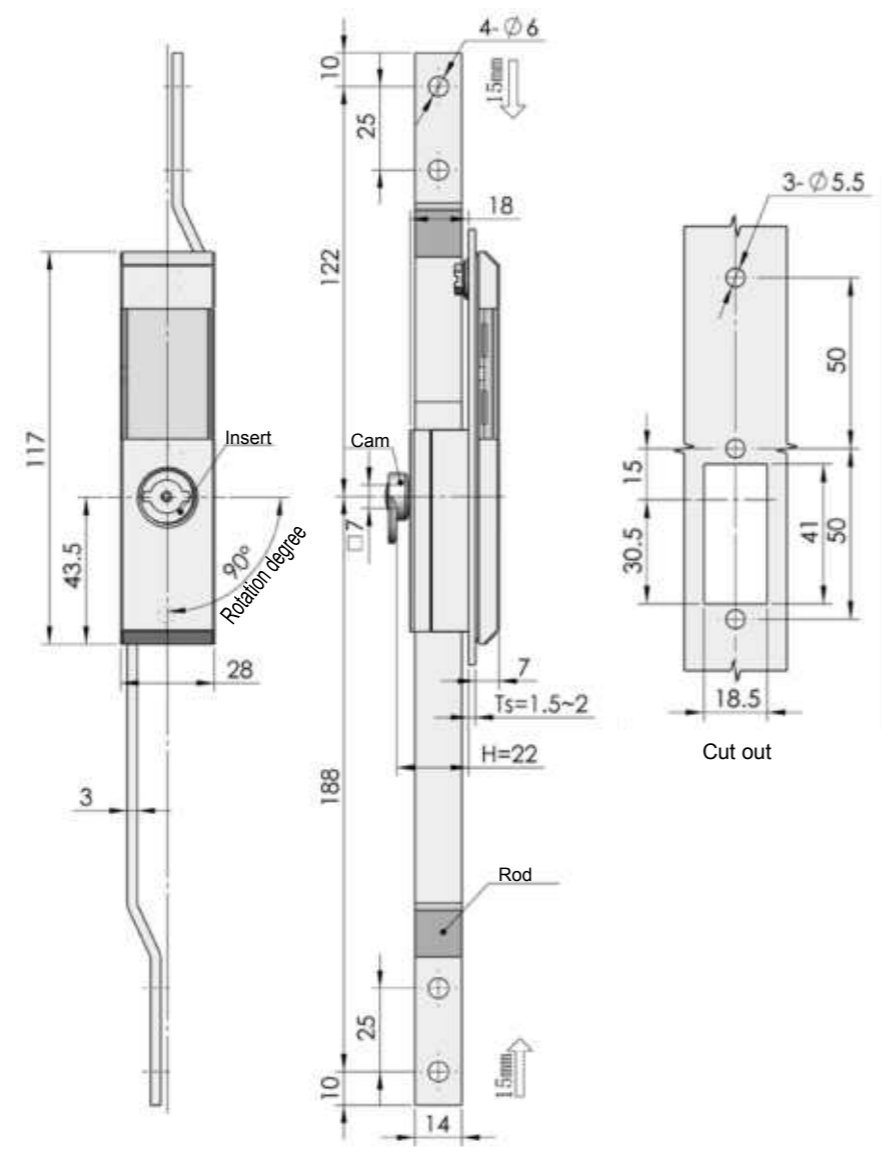


R L IP 40 3PL

Main material and finish: Bright chrome plated ZDC insert, yellow gray ABS panel, white zinc-plated steel cam and ZDC rod latch, steel rod

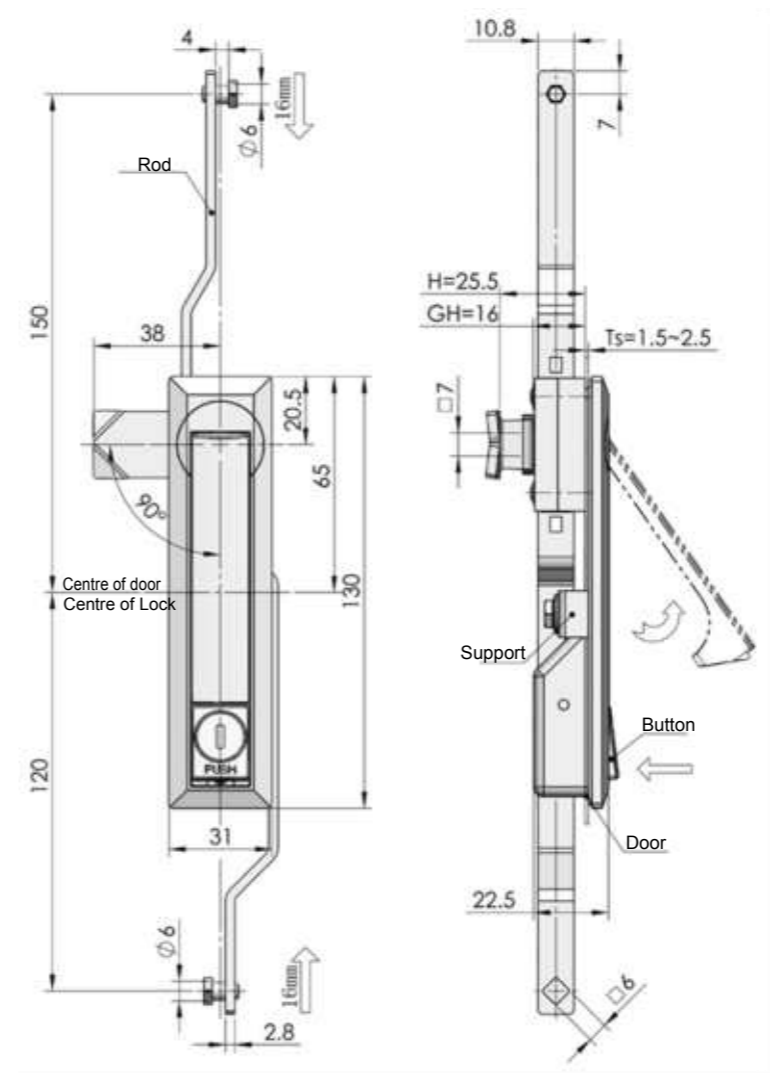
Application: Insert quarter-turn rotation combines with rod latch system to open or close

Remarks: Default key K15-01C

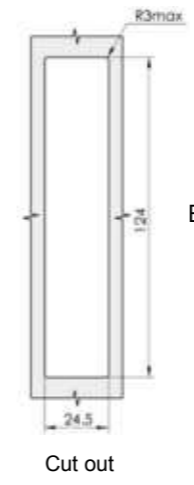


Remarks: Change rod and cam position to suit RH or LH application

ERP MS821N00T01001



Remarks: Change rod and cam position to suit RH or LH application



B080001

MS731-6



R L IP 40 3PL

Main material and finish: Nanometer-painted ZDC housing, handle, button and support, white zinc-plated steel cam and rod latch, steel rod

Application: Insert 180 degree rotation combines with rod-latch system to open or close

Remarks: Default key K060

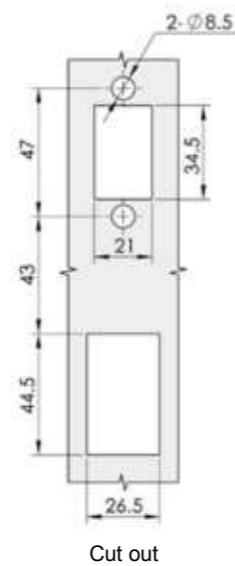
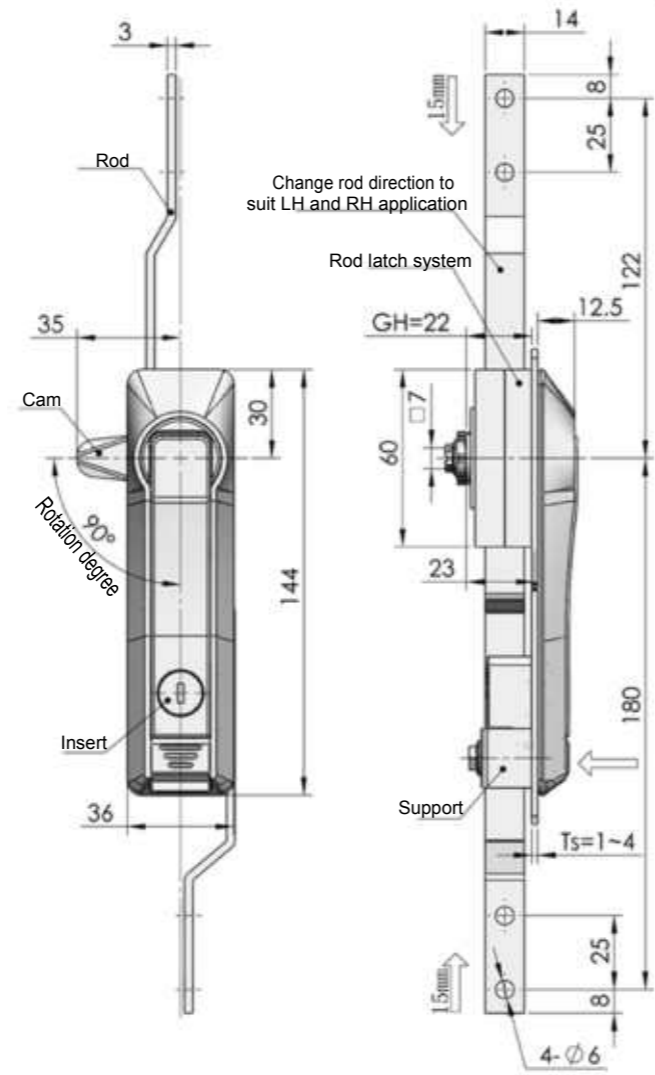
MS828



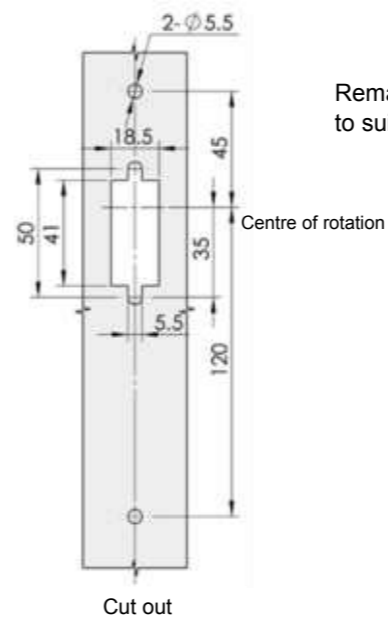
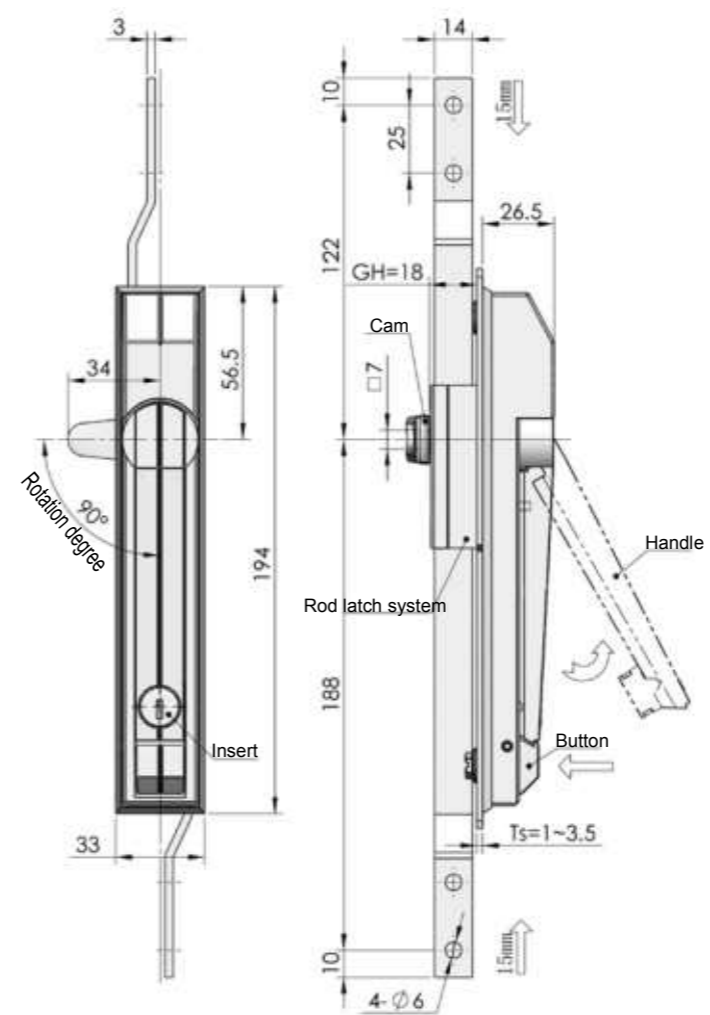
Main material and finish: Nanometer painted ZDC housing, handle, and button, ZDC support, white zinc-plated steel cam and rod latch, steel rod

Application: Quick-open, easy assembling, handle quarter-turn combines with rod latch system to open or close

Remarks: Default key K100



	Black powder coated housing and handle	Nanometer painted housing and handle
ERP	MS828Z1A100001	MS828Z2B100001



Remarks: Change rod and cam position to suit RH or LH application

ERP	MS829Z1E060001
-----	----------------

MS829



Main material and finish: Yellow gray powder coated ZDC housing, black powder coated ZDC handle and button, white zinc-plated steel cam and rod latch

Application: Quick-open, easy assembling, handle quarter-turn combines with rod latch system to open or close

Remarks: Default key K060

MS830



MS830-3

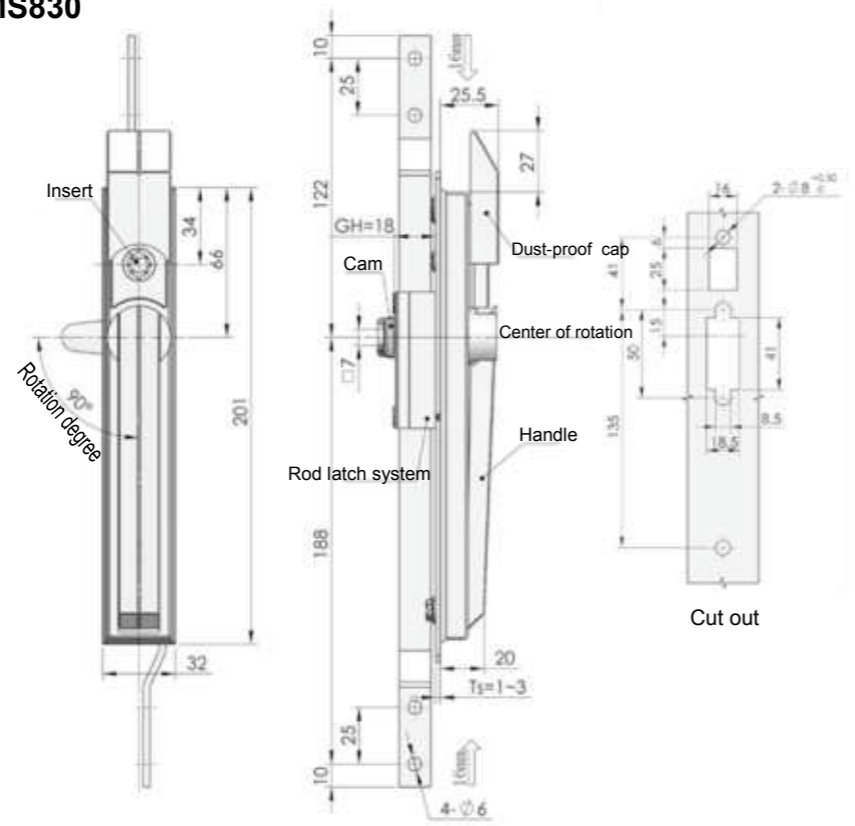


Main material and finish: ZDC housing, handle, and dust-proof cap, white zinc-plated steel cam and rod-latch

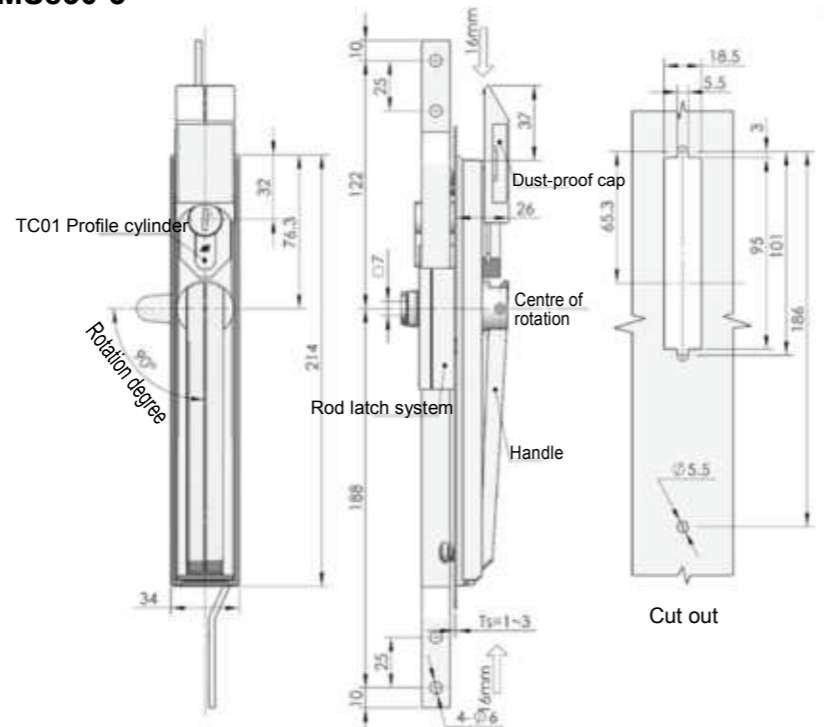
Application: Quick-open, easy assembling, handle quarter-turn combines with rod latch system to open or close

Remarks: MS830 default key K580
MS830-3 default key K140

MS830

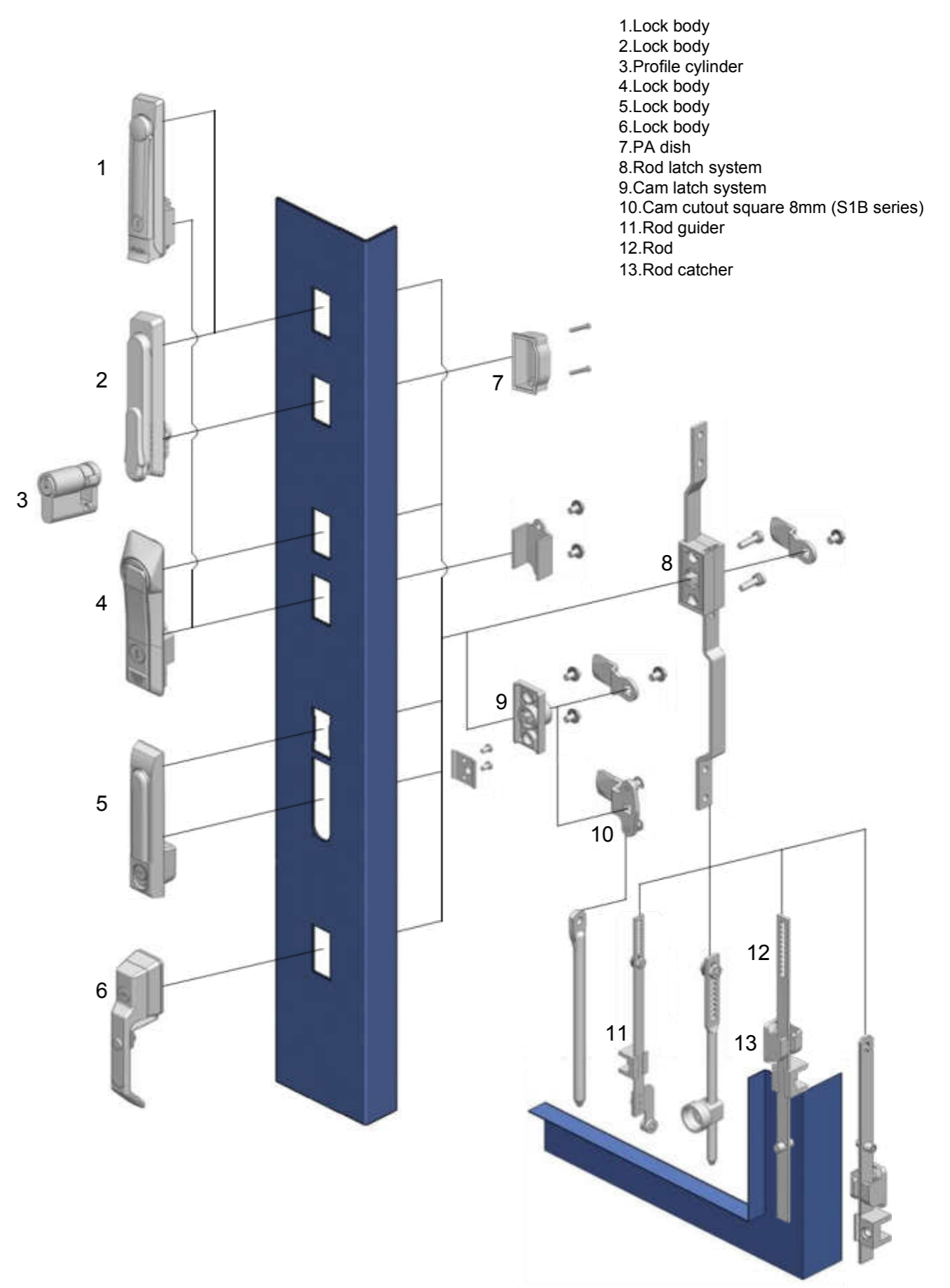


MS830-3

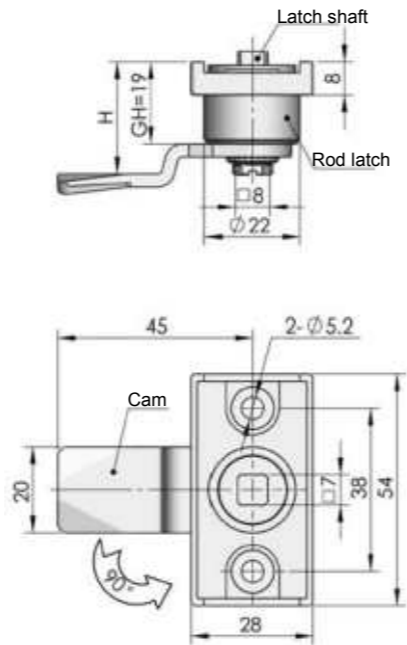
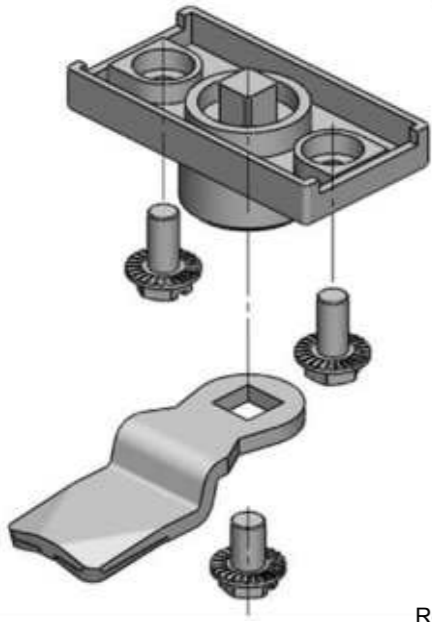


Remarks: Change rod and cam position to suit RH or LH application

	MS830	MS830-3
ERP	MS830Z1EE04001	MS830Z2B140001

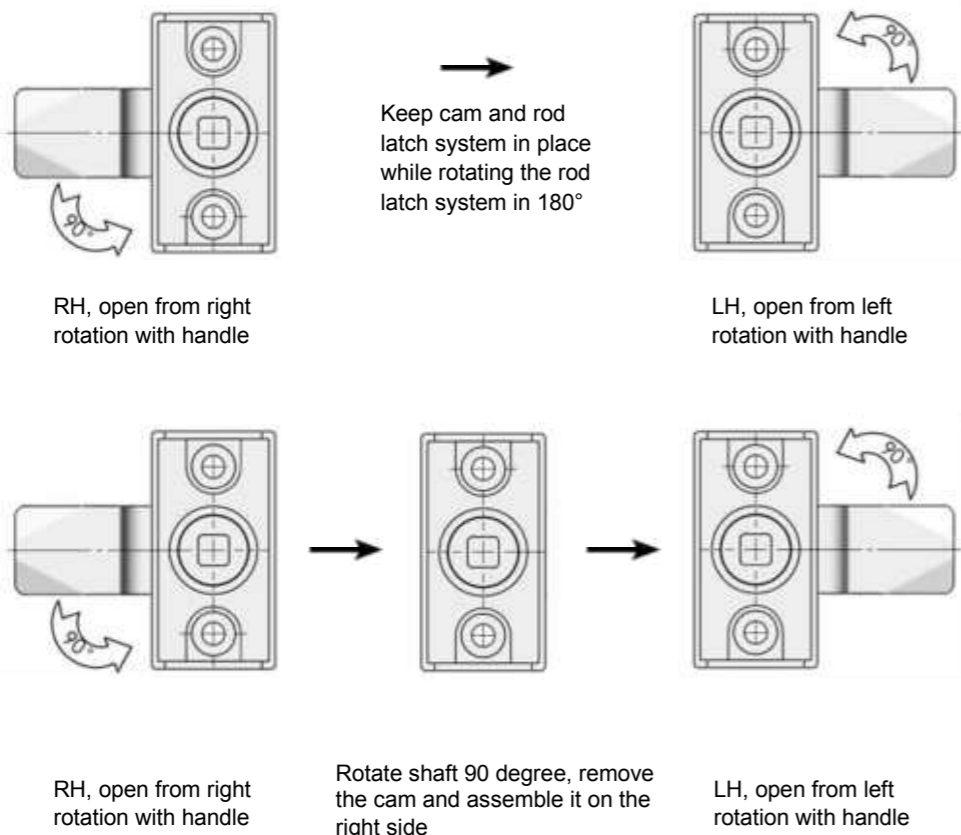


Cam latch system Mb90

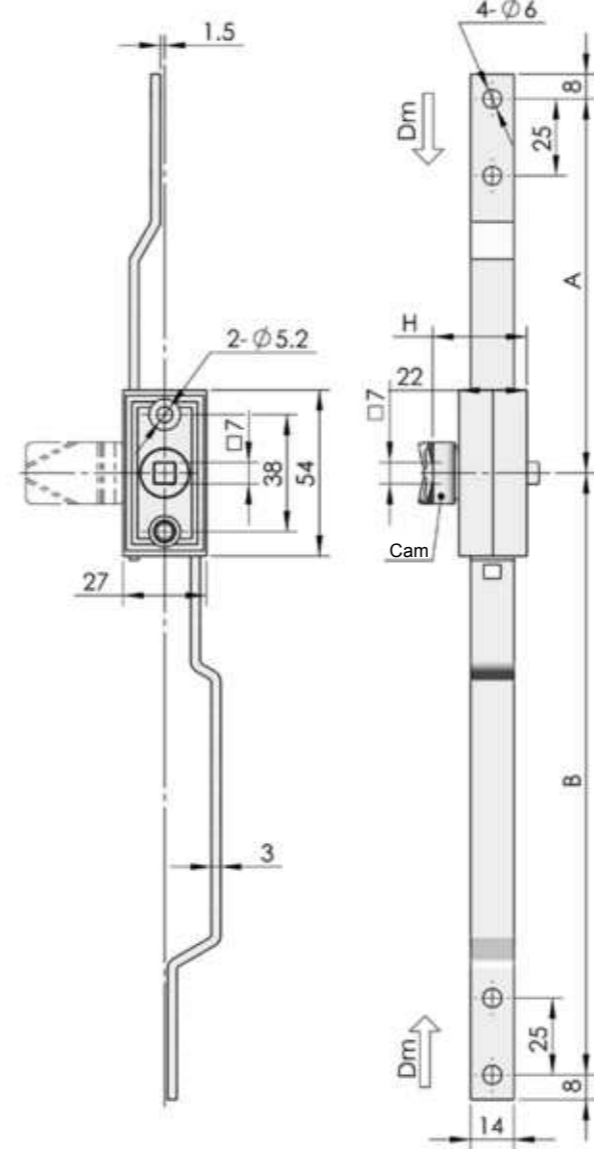


Remarks: Default rod latch system, closing position, quarter-turn rotation, cam cutout square 8mm, optional cam series S1B, S2B, S3B, detailed cam list on P007
 Default one-point cam S1B4507, H=19+7, length 45
 Default three-point cam S3B4510, H=19+10

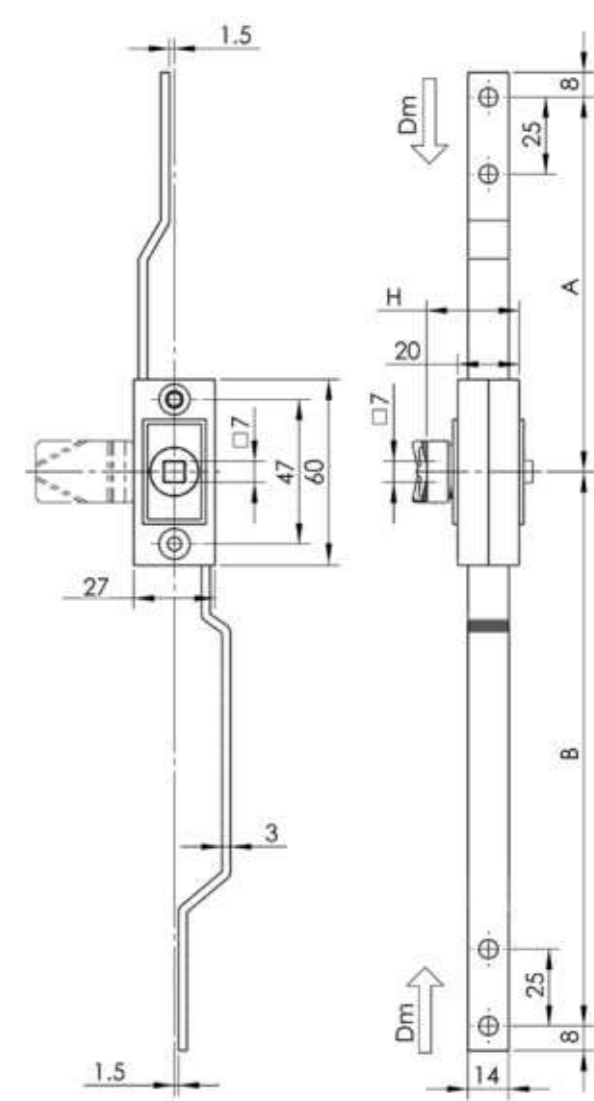
RH and LH application example



Mb0 Series Mb2 Series



Mb1 Series



Remarks: Rod latch system, use for seal door-outside, cam cutout 7mm, optional cam S1A cam series, see detailed cam list on P007. Default cam S1A3500, H=GH, length 35.
 Keep rod and rod latch in place, remove the cam and insert, and rotate rod latch system in 180 degree to suit RH or LH application

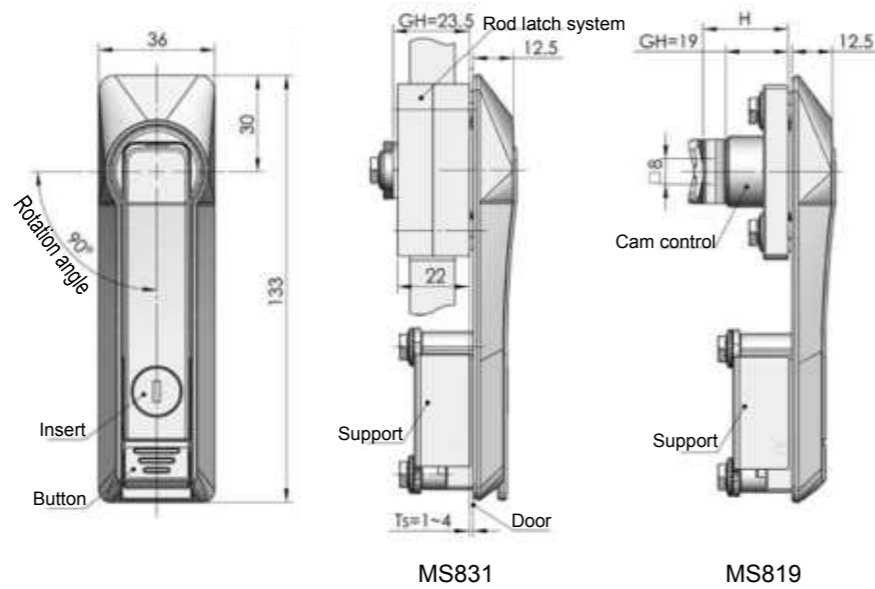
Dm: Rod stroke
 Ra: Rotation angle code

Rod latch syst	Mb01	Mb02	Mb03	Mb04	Mb21	Mb24
Dm	15	15	15	15	15	23
Ra		90°	90°		90°	90°
A		122	122		138	138
B	196	196	196	196	122	130
Specification	With cam			Without cam	With cam	Without cam

Rod syst	Mb11	Mb12	Mb13	Mb14
Dm	15	15	20	23
Ra			90°	90°
A			122	122
B	180	180	188	188
Specification	With cam		With cam	Without cam

135° 138 Without cam 115° 130 120° 130 Without cam

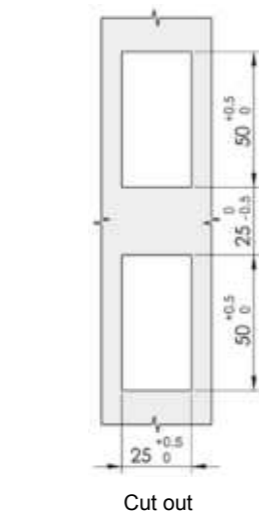
MS831



MS819

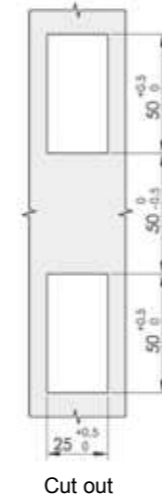
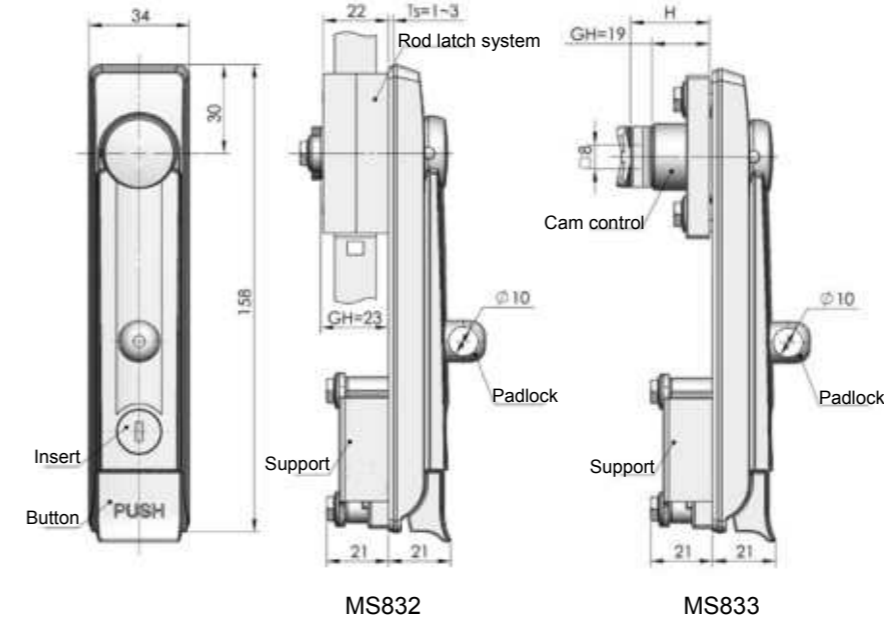


Main material and finish: Black powder coated ZDC handle, housing and button, white zinc-plated steel cam and rod
Application: Quick-open, easy assembling, 90 degree handle rotation combines with rod latch to open or close
Remarks: Default key K040



Optional Accessories:
 See cam latch system Mb9 series on P157
 Rod latch system Mb0 series on P158

Specification	ERP
With button, optional rod latch system Mb01	MS831Z1A040001
With button, optional rod latch system Mb02	MS831Z1A040002
Without button, optional rod latch system Mb01	MS831Z1A040004
Without button, optional rod latch system Mb02	MS831Z1A040005
Without button	MS819Z1A040001
With button	MS819Z1A040002



Optional Accessories:
 See cam latch system Mb9 series on P157
 Rod latch system Mb0 series on P158

Specification	ERP
With button, optional rod latch system Mb01	MS832Z1B030001
With button, optional rod latch system Mb01, padlockable	MS832Z1B030002
With button, optional rod latch system Mb02	MS832Z1B030013
With button, optional rod latch system Mb02, padlockable	MS832Z1B030014
Without button, optional rod latch system Mb01	MS832Z1B030005
Without button, optional rod latch system Mb01, padlockable	MS832Z1B030006
Without button, optional rod latch system Mb02	MS832Z1B030015
Without button, optional rod latch system Mb02, padlockable	MS832Z1B030016
With button	MS833Z1B030001
With button, padlockable	MS833Z1B030002
Without button	MS833Z1B030003

MS832



MS833



Main material and finish: Pocked black powder coated ZDC handle, housing and button, ZDC dust-proof cap, white zinc-plated steel cam and rod
Application: Quick-open, easy assembling, 90 degree handle rotation combines with rod latch to open or close
Remarks: Default key K030

Accessories
Handle lock
Cylinder lock
Electronic lock
Swing handle
Rod control lock
Panel lock
Toggle and hook
Handles
Door stop
Hinge
Seal gasket

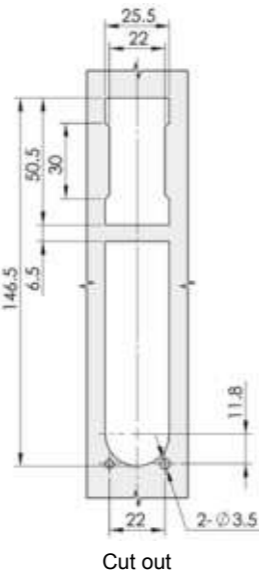
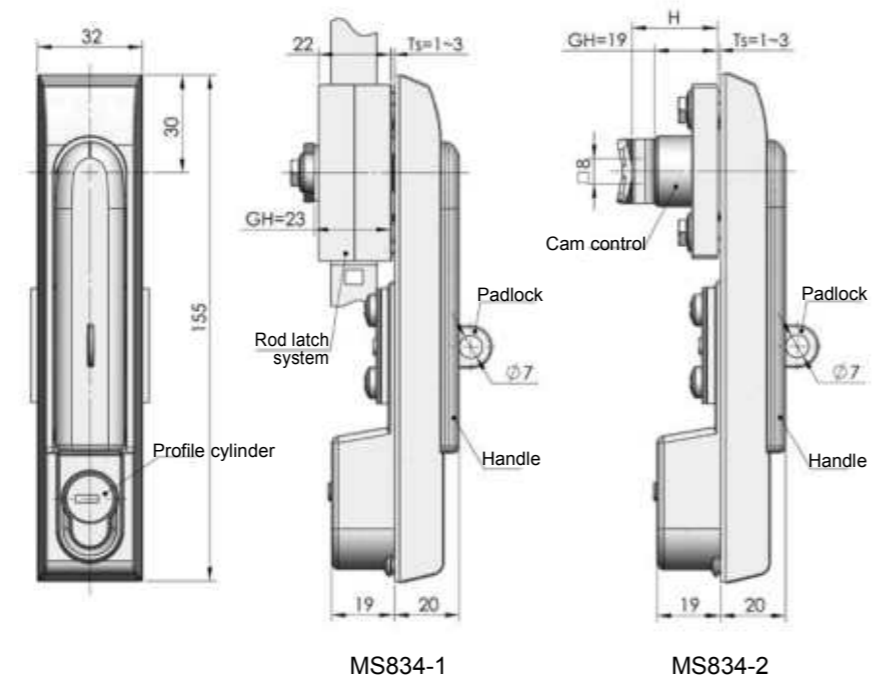
MS834



Main material and finish: Black powder coated ZDC handle and housing, bright chrome-plated ZDC profile cylinder, white zinc-plated steel cam and rod latch, steel rod

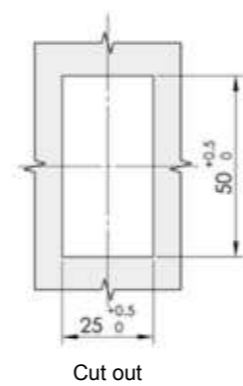
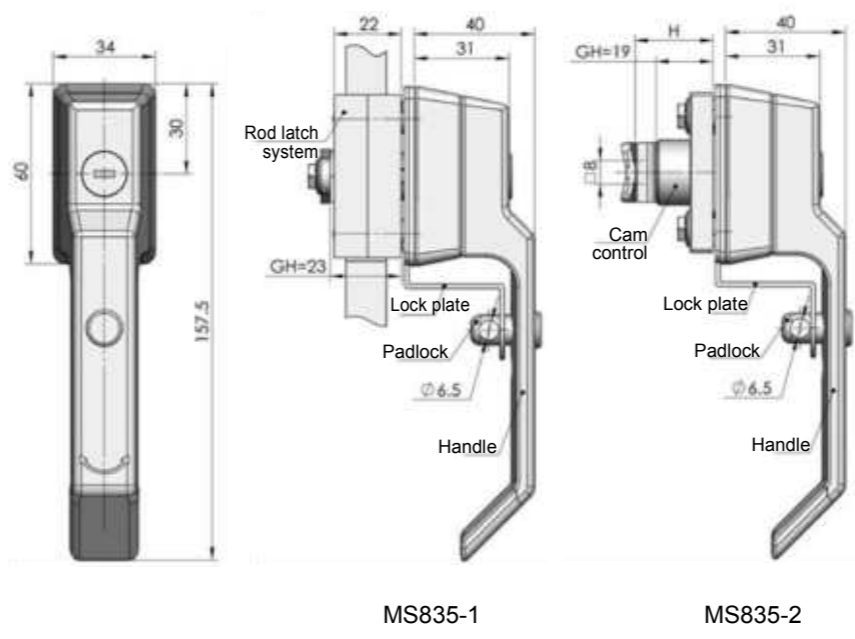
Application: Quick-open, easy assembling, 90 degree handle rotation combines with rod latch to open or close

Remarks: Default profile cylinder TC04-1, default key K040



Specification	ERP
Optional rod latch system Mb01	MS834Z1A040001
Optional rod latch system Mb02	MS834Z1A040009
Cam latch system	MS834Z1A040003

Optional Accessories:
See cam latch system Mb9 series on P157
Rod latch system Mb0 series on P158
Profile cylinder on P029



Remarks: Door thickness $T_s=1\sim 2\text{mm}$ (Padlockable), $T_s=1\sim 4$ (Unpadlockable)

Optional Accessories:
See cam latch system Mb9 series on P157
Rod latch system Mb2 series on P158

Specification	ERP
Optional rod latch system Mb21	MS835Z2B030001
Optional rod latch system Mb21, padlockable	MS835Z2B030002
Optional rod latch system Mb22	MS835Z2B030003
Optional rod latch system Mb22, padlockable	MS835Z2B030004
Cam latch system	MS835Z2B030005
Cam latch system, padlockable	MS835Z2B030006

MS835



Main material and finish: Nanometer painted ZDC handle and housing, white zinc-plated steel cam and rod, brass shaft

Application: 90 degree handle rotation combines with rod latch to open or close

Remarks: Default key K030

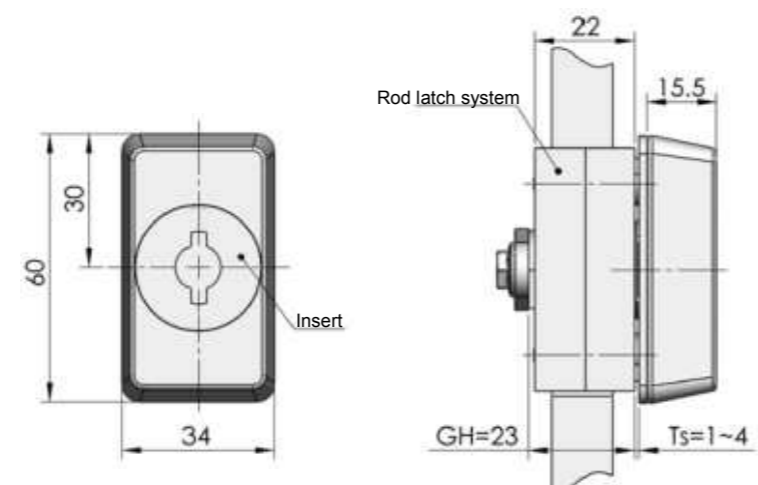
Accessories
Handle lock
Cylinder lock
Electronic lock
Swing handle
Rod control lock
Panel lock
Toggle and hook
Handles
Door stop
Hinge
Seal gasket

Accessories
Handle lock
Cylinder lock
Electronic lock
Swing handle
Rod control lock
Panel lock
Toggle and hook
Handles
Door stop
Hinge
Seal gasket

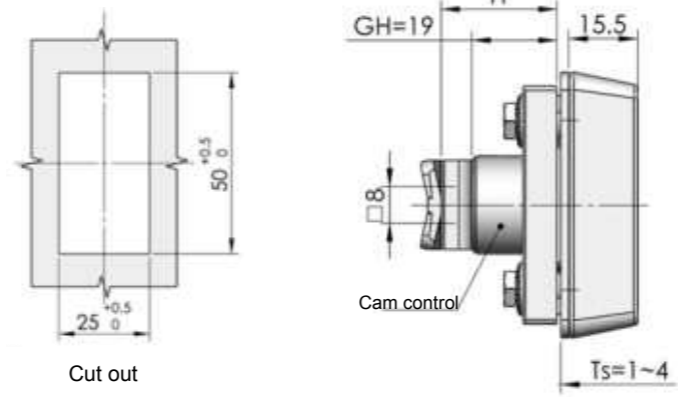
MS836



Main material and finish: Nanometer painted ZDC housing and insert, white zinc-plated steel cam and rod
Application: 90 degree handle rotation combines with rod latch to open or close
Remarks: Optional key K15-01C



MS836-1

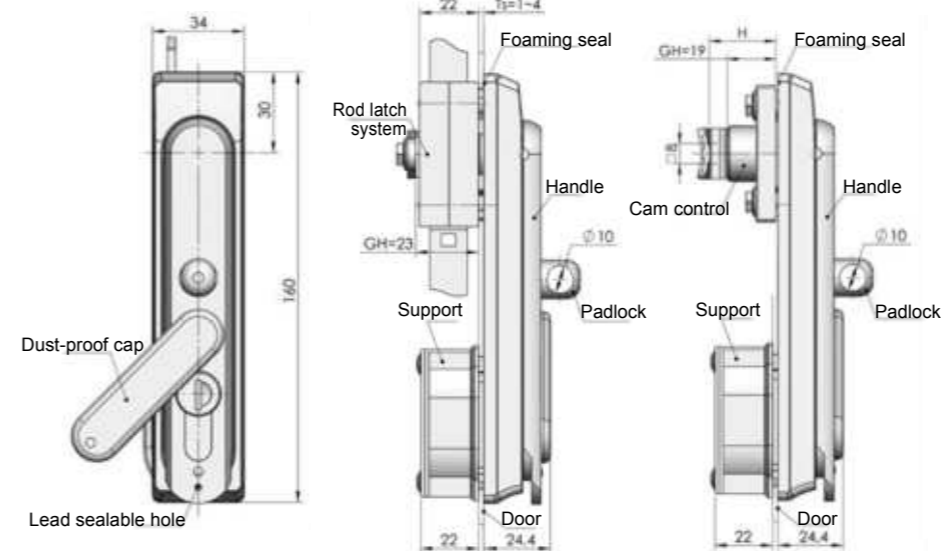


MS836-2

Optional Accessories:
 See cam latch system Mb9 series on P157
 Rod latch system Mb2 series on P158

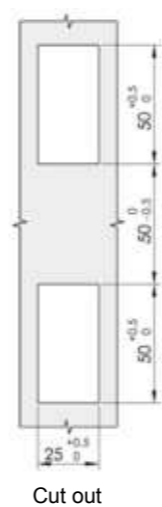
MS836Z2BT03001
 MS836Z2BT03002
 MS836Z2BT03003

Specification	ERP
Optional rod latch system Mb21	
Optional rod latch system Mb22	
Cam latch system	



MS840-1

MS840-2



Cut out

Optional accessories:
 See cam latch system Mb9 series on P157
 Rod latch system Mb0 series on P158
 TC01/TC02/TC03 profile cylinder on P029

Remarks: PA housing or ZDC housing, default ZDC housing

Specification	ERP
Optional rod latch system Mb01	MS840Z1B140001
Optional rod latch system Mb01, padlockable	MS840Z1B140002
Optional rod latch system Mb02	MS840Z1B140019
Optional rod latch system Mb02, padlockable	MS840Z1B140020
Cam latch system	MS840Z1B140013
Cam latch system, padlockable	MS840Z1B140014

MS840



Main material and finish: Pocked black powder coated ZDC housing and handle, ZDC profile cylinder, white zinc-plated steel cam and rod
Application: 90 degree handle rotation combines with rod latch to open or close
Remarks: Default key K140

Accessories
Handle lock
Cylinder lock
Electronic lock
Swing handle
Rod control lock
Panel lock
Toggle and hook
Handles
Door stop
Hinge
Seal gasket

Accessories
Handle lock
Cylinder lock
Electronic lock
Swing handle
Rod control lock
Panel lock
Toggle and hook
Handles
Door stop
Hinge
Seal gasket

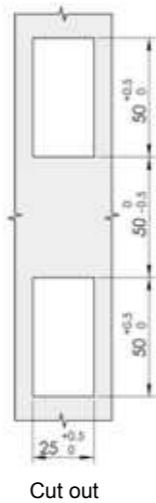
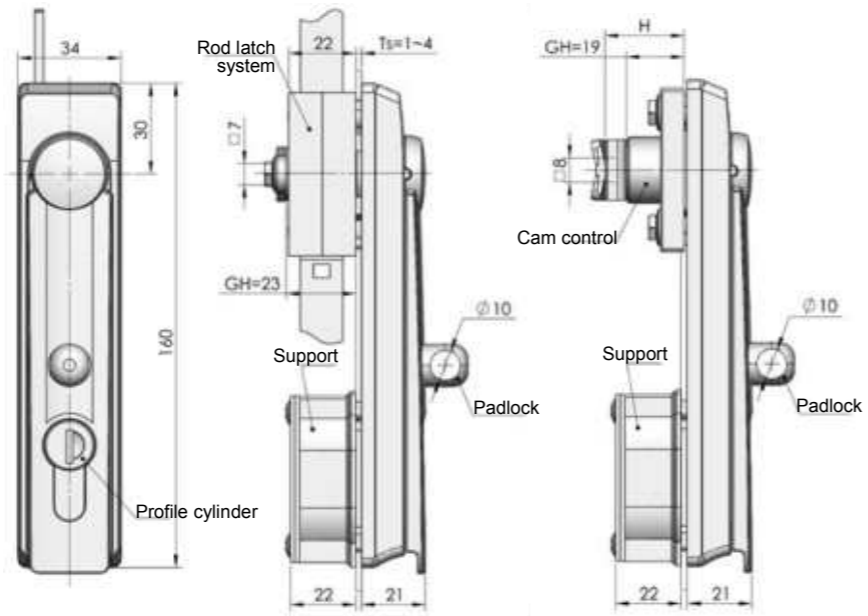
MS846



Main material and finish: Pocked black powder coated ZDC handle and housing, ZDC profile cylinder, white zinc-plated steel cam and rod

Application: 90 degree handle rotation combines with rod latch to open or close

Remarks: Default profile cylinder TC01, default key K140

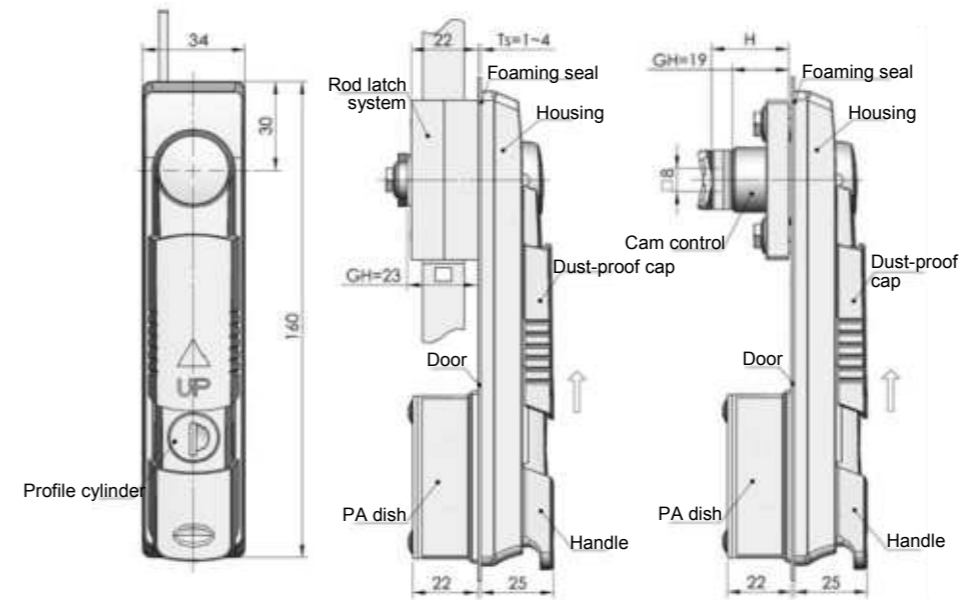


Cut out

Optional accessories:
See cam latch system Mb9 series on P157
Rod latch system Mb0 series on P158
TC01/TC02/TC03 profile cylinder on P029

Remarks: PA housing or ZDC housing ,default ZDC housing

Specification	ERP
Optional rod latch system Mb01	MS846Z1B140001
Optional rod latch system Mb01, padlockable	MS846Z1B140002
Optional rod latch system Mb02	MS846Z1B140005
Optional rod latch system Mb02, padlockable	MS846Z1B140006
Cam latch system	MS846Z1B140003
Cam latch system, padlockable	MS846Z1B140004



Cut out

Optional accessories:
See cam latch system Mb9 series on P157
Rod latch system Mb0 series on P158
TC01/TC02/TC03 profile cylinder on P029

Remarks : PA housing or ZDC housing, default ZDC housing

Specification	ERP
Optional rod latch system Mb01	MS848Z1B140001
Optional rod latch system Mb02	MS848Z1B140004
Cam latch system	MS848Z1B140002

MS848



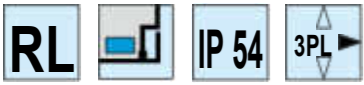
Main material and finish: Pocked black powder coated ZDC handle and housing, ZDC profile cylinder, white zinc-plated steel cam and rod

Application: 90 degree handle rotation combines with rod latch to open or close

Remarks: Default profile cylinder TC01, default key K140

Accessories
Handle lock
Cylinder lock
Electronic lock
Swing handle
Rod control lock
Panel lock
Toggle and hook
Handles
Door stop
Hinge
Seal gasket

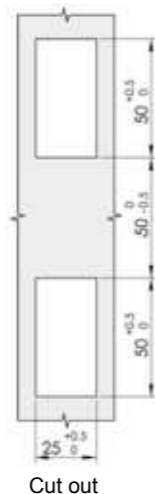
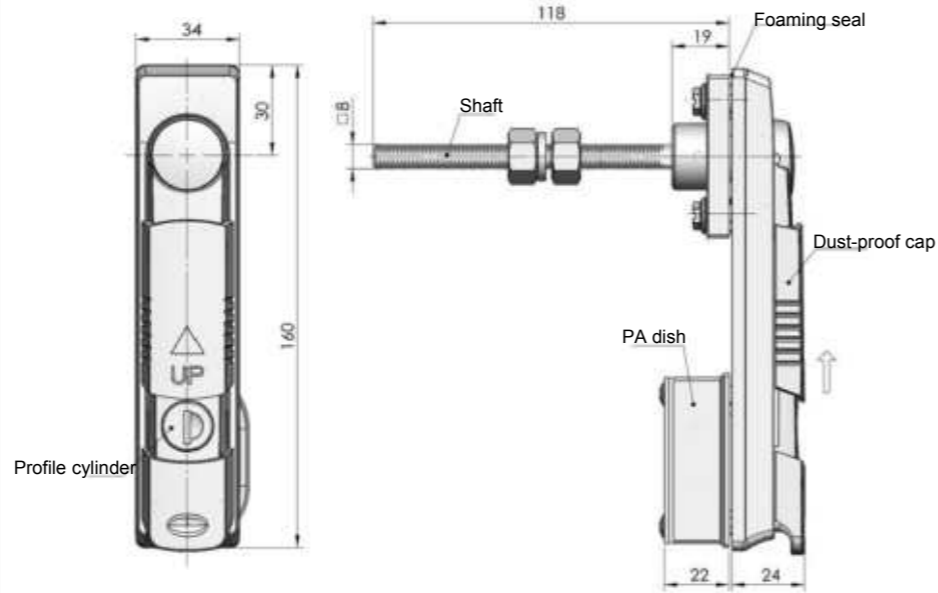
MS848-3



Main material and finish: Pocked black powder coated ZDC handle and housing, ZDC profile cylinder, white zinc-plated steel cam and rod

Application: 90 degree handle rotation combines with rod latch to open or close

Remarks: Default profile cylinder TC01, default key K140



S1B cam series



Without fixing nut

S3B cam series



Without fixing nut

S3B6000A cam



Without fixing nut

S3B6300A cam



Without fixing nut

S1B6800X cam



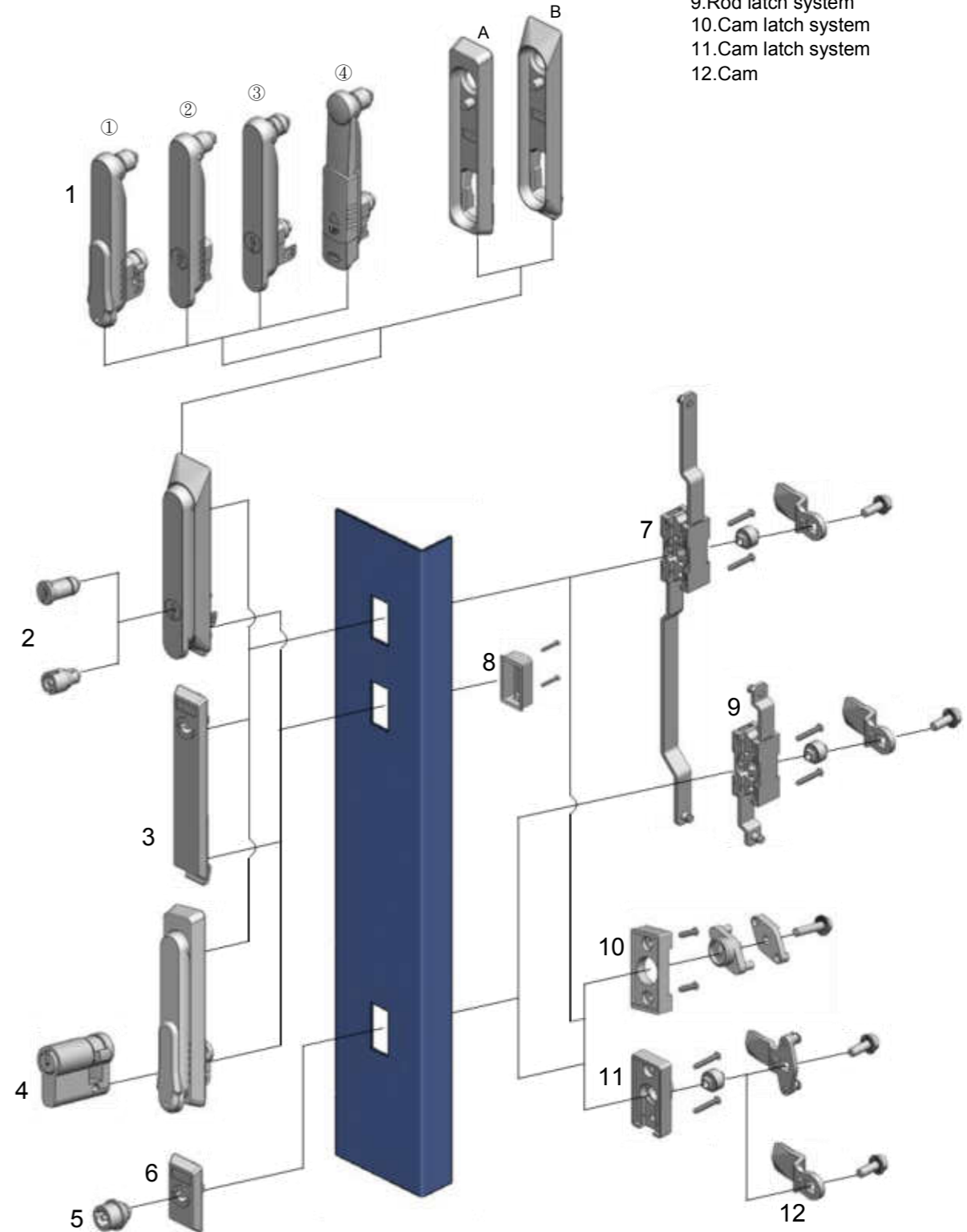
Without fixing nut

Remarks: Default cam S1B4507, H=19+7, default Key K140. Cam cutout square 8mm, three-point cam, two-point cam or one -point cam for selection, see detailed cam list on. P007 by adapting the rod latch of MS819,MS835,MS840,MA846 to achieve the same function of MS848-3

ERP

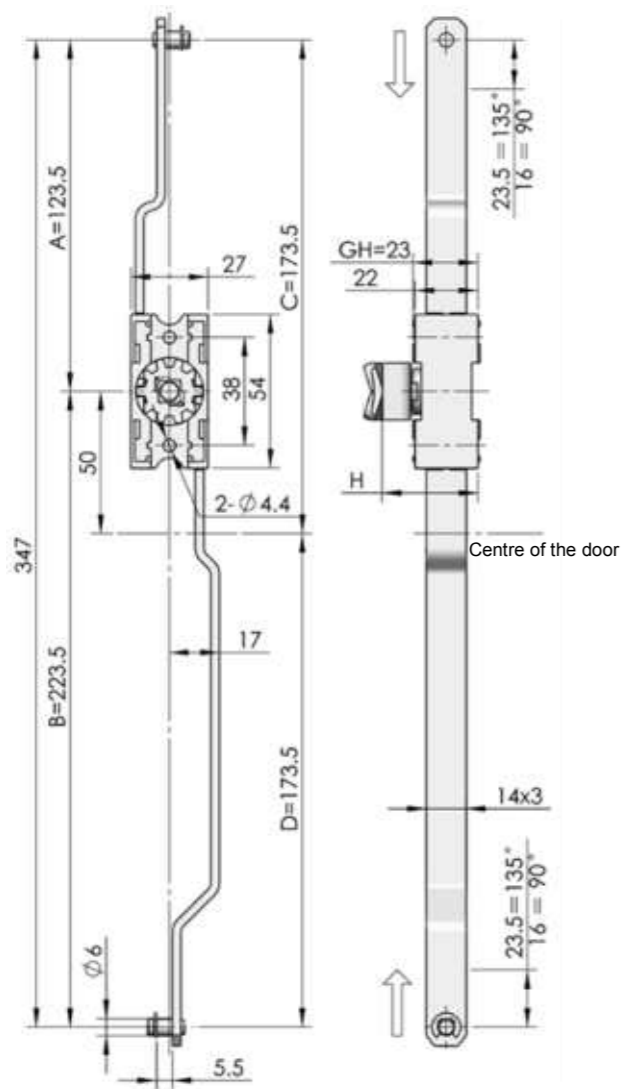
MS848Z1B140003

Combination	Item No	
	Rod latch system	Cam latch system
①A	MS840-1A	MS840-2A
①B	MS840-1D	MS840-2D
②A	MS840-1B	MS840-2B
②B	MS840-1E	MS840-2E
③A	MS840-1F	MS840-2F
③B	MS840-1C	MS840-2C
④A	MS848-1B	MS848-2B
④B	MS848-1C	MS848-2C



- 1.Lock-body
- 2.Insert
- 3.Lock-boby
- 4.Profile cylinder
- 5.Insert
- 6.Lock-body
- 7.Rod latch system
- 8.PA dish
- 9.Rod latch system
- 10.Cam latch system
- 11.Cam latch system
- 12.Cam

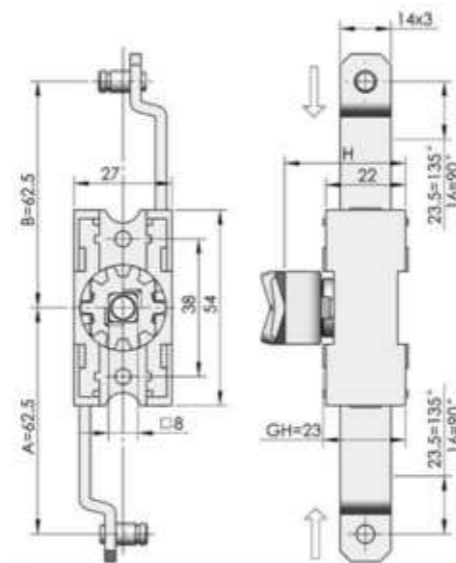
Mb4 Series



Remarks: Default rod latch system, closing position, 135 degree rotation angle, default optional cam S1B3500, cam cutout square 8mm. The rod latch system is used for the seal door-outside

Rod latch sys	Dm	Ra	A	B	C	D	Specification
Mb43	23.5						
Mb44	23.5	135°	123.5	223.5	173.5	173.5	With cam
			135°	123.5	223.5	173.5	Without cam

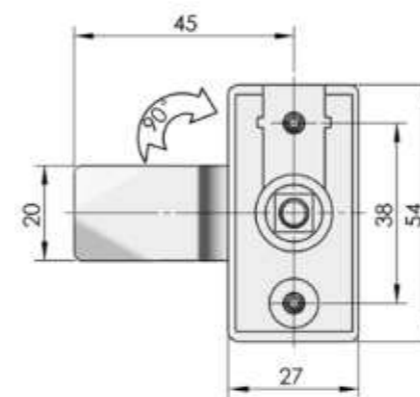
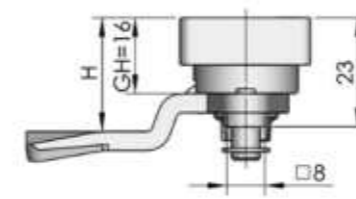
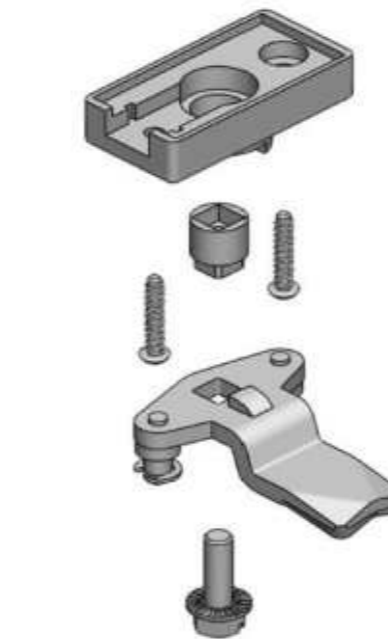
Mb5 Series



Remarks: Default rod latch system, closing position, 135 degree rotation angle, default optional cam S1B3500, cam cutout square 8mm. The rod latch system is used for the seal door-outside

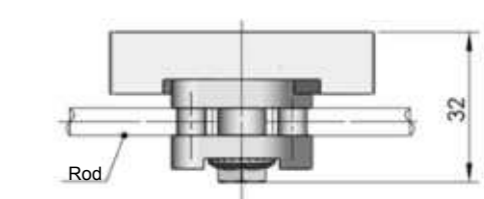
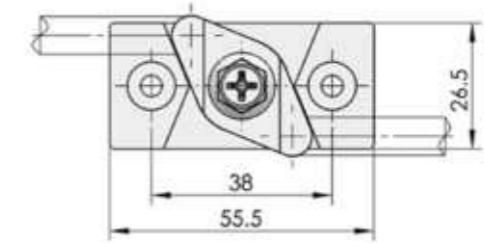
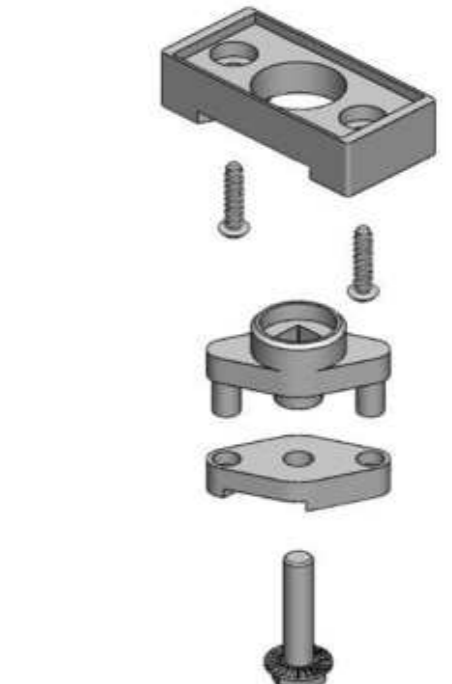
Rod latch sys	Dm	Ra	A	B	Specification
Mb51	23.5			62.5	With cam
Mb52	23.5	135°	62.5	62.5	Without cam
		135°	62.5	62.5	Without cam

Mb92-Y Mb92-Z



Remarks: Default optional cam S3B4510

Mb94 Series



Accessories
Handle lock
Cylinder lock
Electronic lock
Swing handle
Rod control lock
Panel lock
Toggle and hook
Handles
Door stop
Hinge
Seal gasket

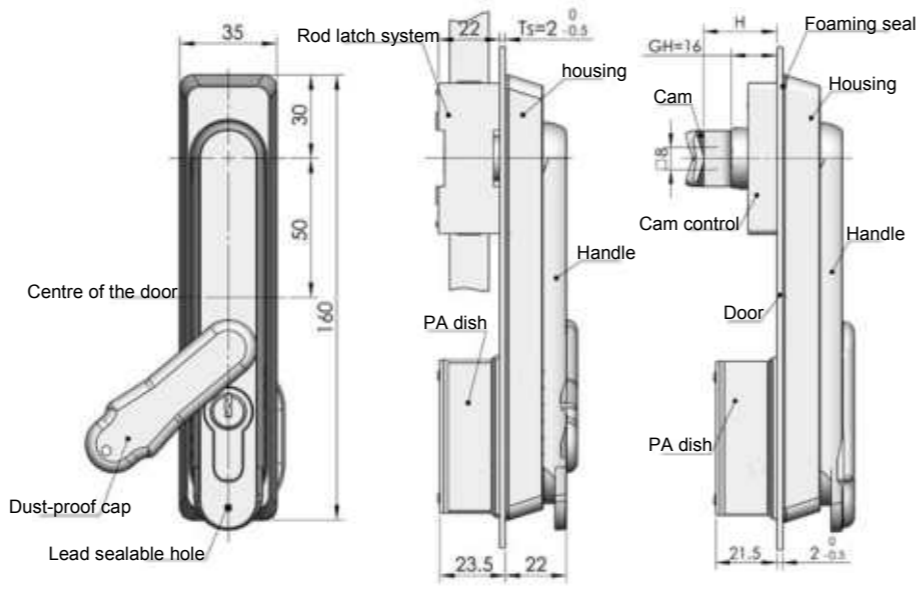
MS840-A



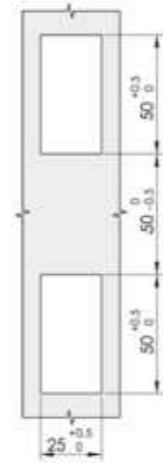
Main material and finish: Black PA handle, housing and dust-proof cap, white zinc-plated steel cam and rod, bright chrome-plated ZDC profile cylinder

Application: Handle quarter-turn rotation combines with rod latch system to open or close

Remarks: Default profile cylinder TC01, default key K140



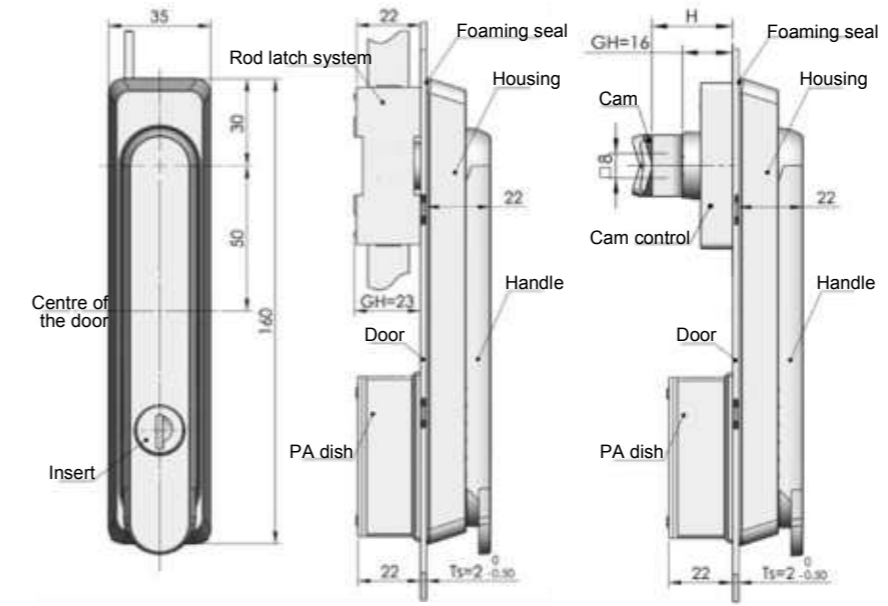
MS840-1A MS840-2A



Cut out

Optional Accessories:
See cam latch system Mb9 series on P157
Rod latch system Mb4 series on P158
TC01/TC02/TC03 profile cylinder on P029

Specification	ERP
Rod latch system with TC series profile cylinder and dust-proof cap	MS840N00140005 MS840N00140013
Cam latch system with TC series profile cylinder and dust-proof cap	



MS840-1B MS840-2B

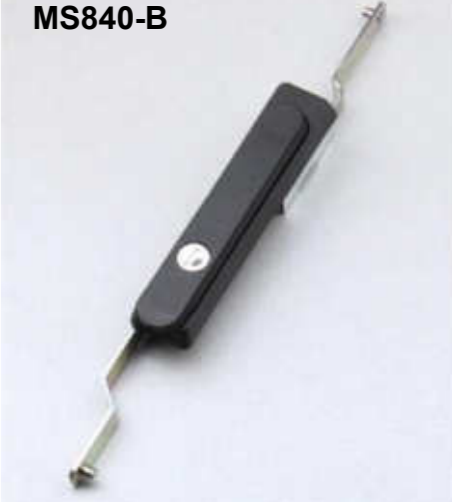


Cut out

Optional Accessories:
See cam latch system Mb9 series on P157
Rod latch system Mb4 series on P169

Specification	ERP
Rod latch system with insert	MS840N00140009
Cam latch system with insert	MS840N00140014

MS840-B



Main material and finish: Black PA housing, handle and dust-proof cap, white zinc-plated steel cam and rod, bright chrome-plated ZDC profile cylinder

Application: Handle quarter-turn combines with rod latch system to open or close

Remarks: Default Key K140

Accessories
Handle lock
Cylinder lock
Electronic lock
Swing handle
Rod control lock
Panel lock
Toggle and hook
Handles
Door stop
Hinge
Seal gasket

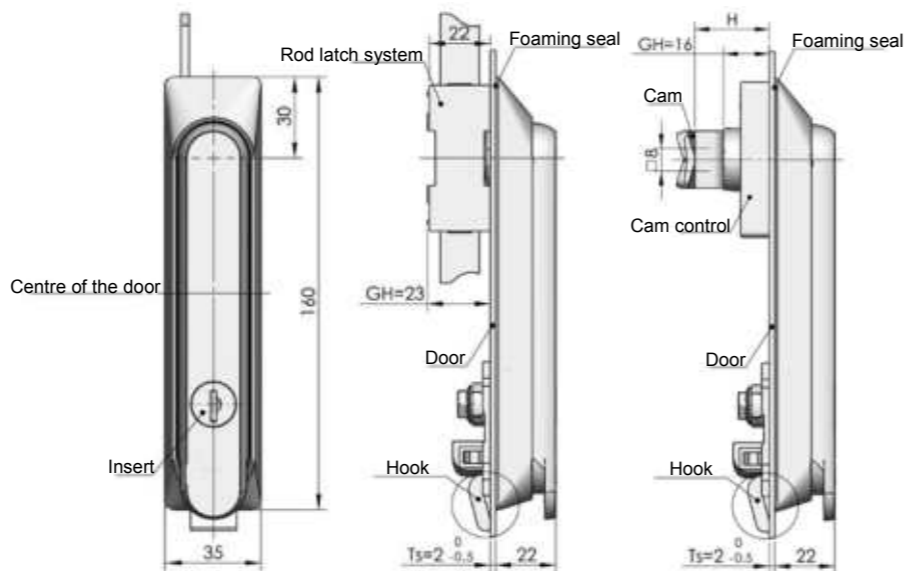
MS840-C



Main material and finish: Black PA handle, housing and dust-proof cap, white zinc-plated steel cam and rod, ZDC profile cylinder

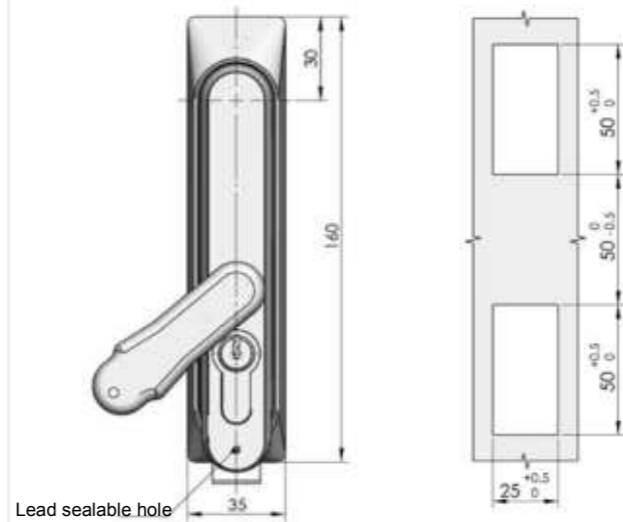
Application: Handle quarter-turn combines with rod latch system to open or close

Remarks: Default Key K140



MS840-1C

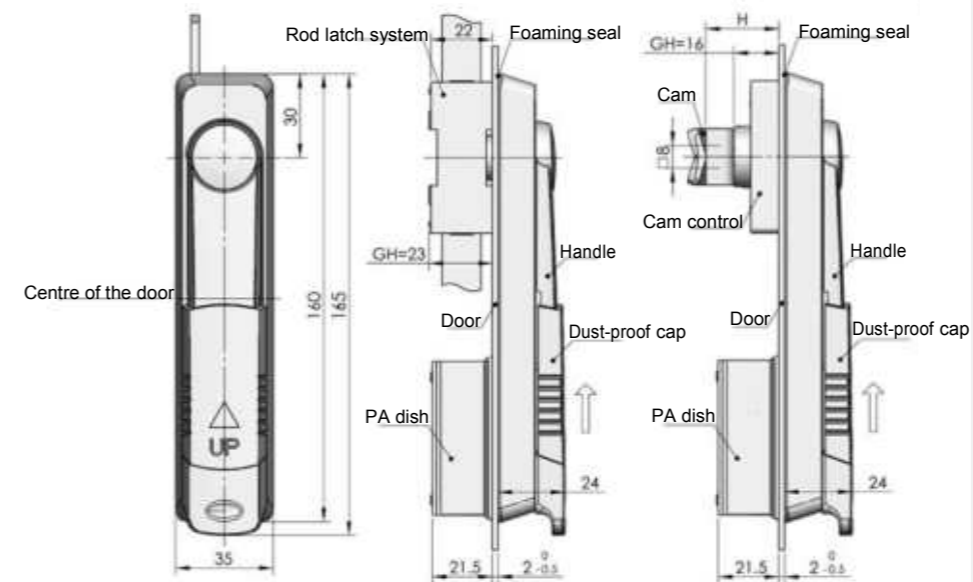
MS840-2C



MS840-D

Optional Accessories:
See cam latch system Mb9 series on P157
Rod latch system Mb4 series on P169

Specification	MS840-C	MS840-D
Rod latch system	MS840N00140011	MS840N00140021
Cam latch system	MS840N00140015	MS840N00140022



MS840-1B

MS840-2B

Optional Accessories: See cam latch system Mb9 series on P157, rod latch system Mb4 series on P169



Cut out

ERP

MS848N00140002

MS848-B



Main material and finish: Black PA handle, housing and dust-proof cap, white zinc-plated steel cam and rod, ZDC profile cylinder

Application: Handle quarter-turn combines with rod latch system to open or close

Remarks: Default profile cylinder TC01, default Key K140

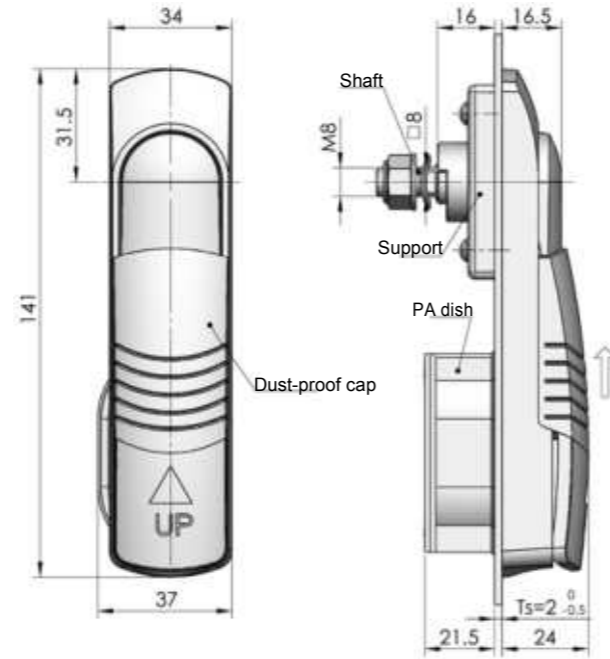
MS848-4A



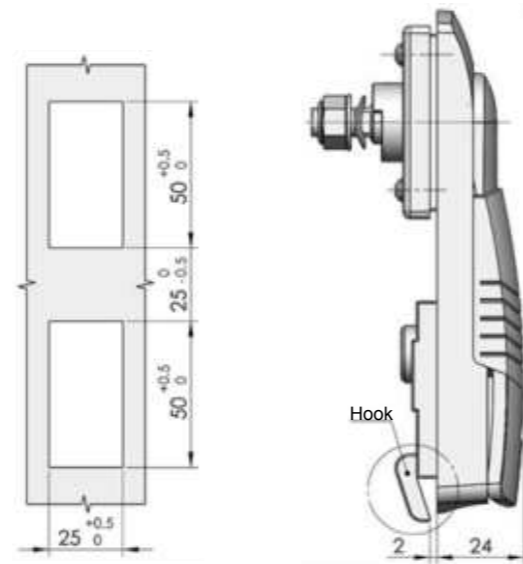
MS848-4B



Main material and finish: Black PA handle, housing and dust-proof cap, white zinc-plated steel cam and rod, ZDC profile cylinder
Application: Handle quarter-turn combines with rod latch system to open or close
Remarks: Default Key K140

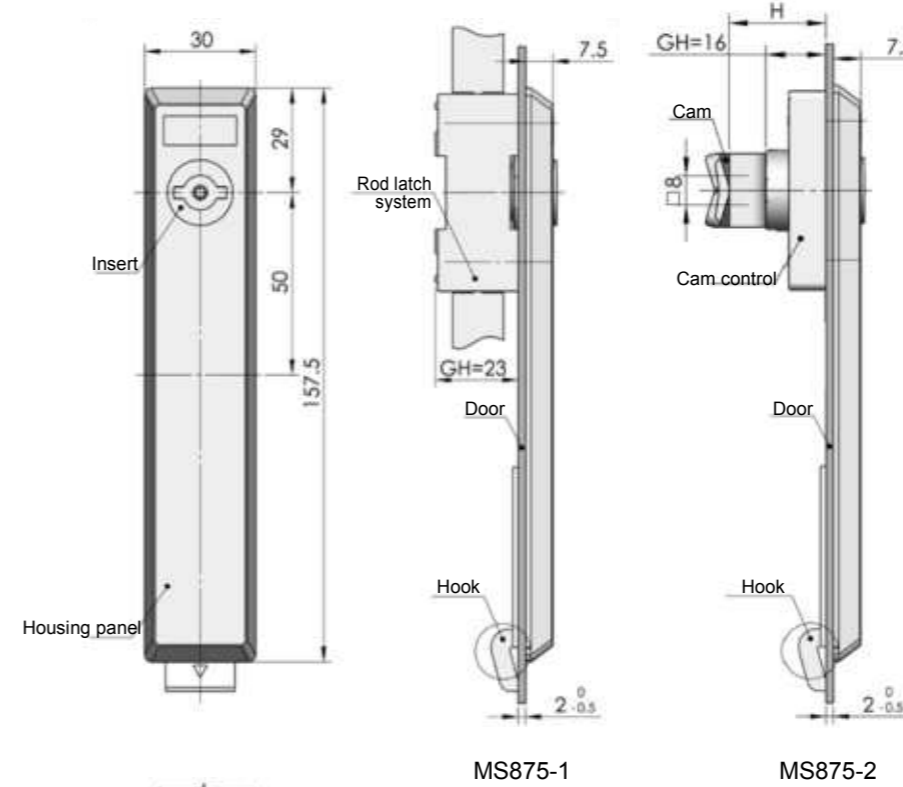


MS848-4A



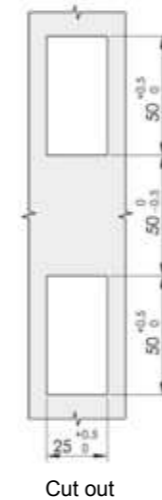
MS848-4B

Specification	ERP
PA dish type	MS848N00140006
Hook type	MS848N00140007



MS875-1

MS875-2



Cut out

Optional Accessories: See cam latch system Mb9 series on P157, rod latch system Mb4 series on P169



Double bit 4mm Triangular 8mm Square 8mm Square 7mm

Specification	ERP		Optional key
	Rod latch system	Cam latch system	
Double bit	MS875N00T02001	MS875N00T02007	K15-01A K15-01F
Triangular 8mm	MS875N00T04001	MS875N00T04003	K15-03A K15-03F
Square 7mm	MS875N00T06001	MS875N00T06003	K15-06A K15-06F
Square 8mm	MS875N00T07001	MS875N00T07003	K15-04A K15-04F

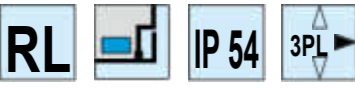
**MS875-1
MS875-2**



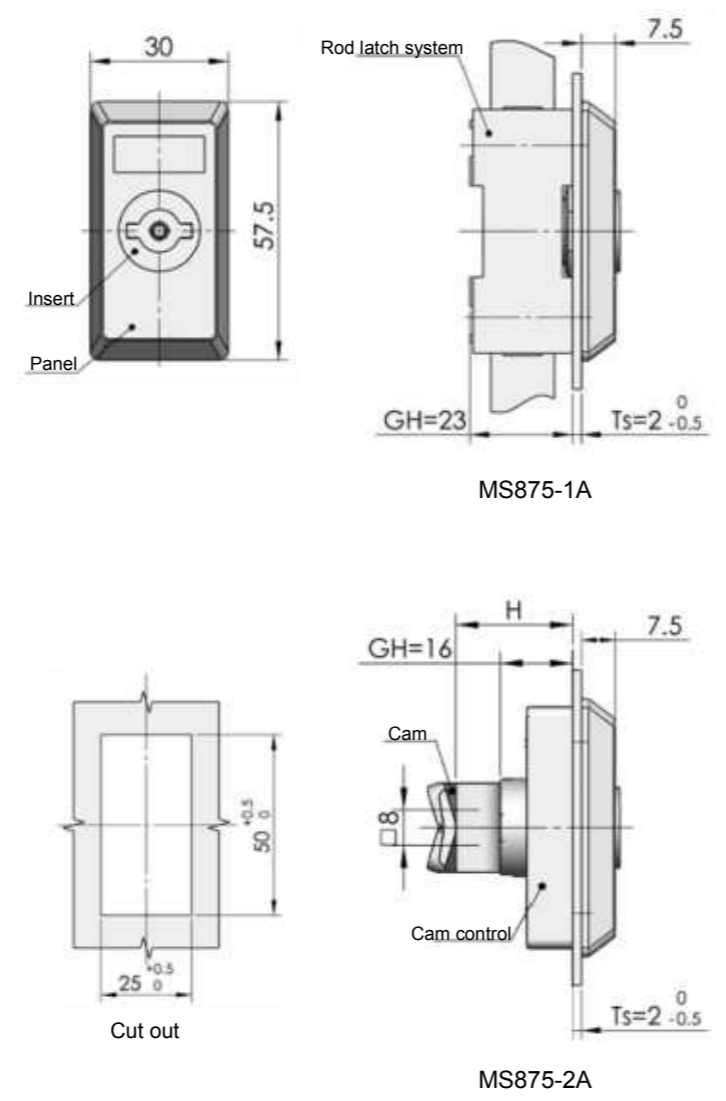
Main material and finish: Black PA panel, steel cam and rod, bright chrome-plated ZDC insert
Application: Insert quarter-turn combines with rod latch system to open or close
Remarks: Default Key K15

Accessories
Handle lock
Cylinder lock
Electronic lock
Swing handle
Rod control lock
Panel lock
Toggle and hook
Handles
Door stop
Hinge
Seal gasket

MS875-1A
MS875-2A



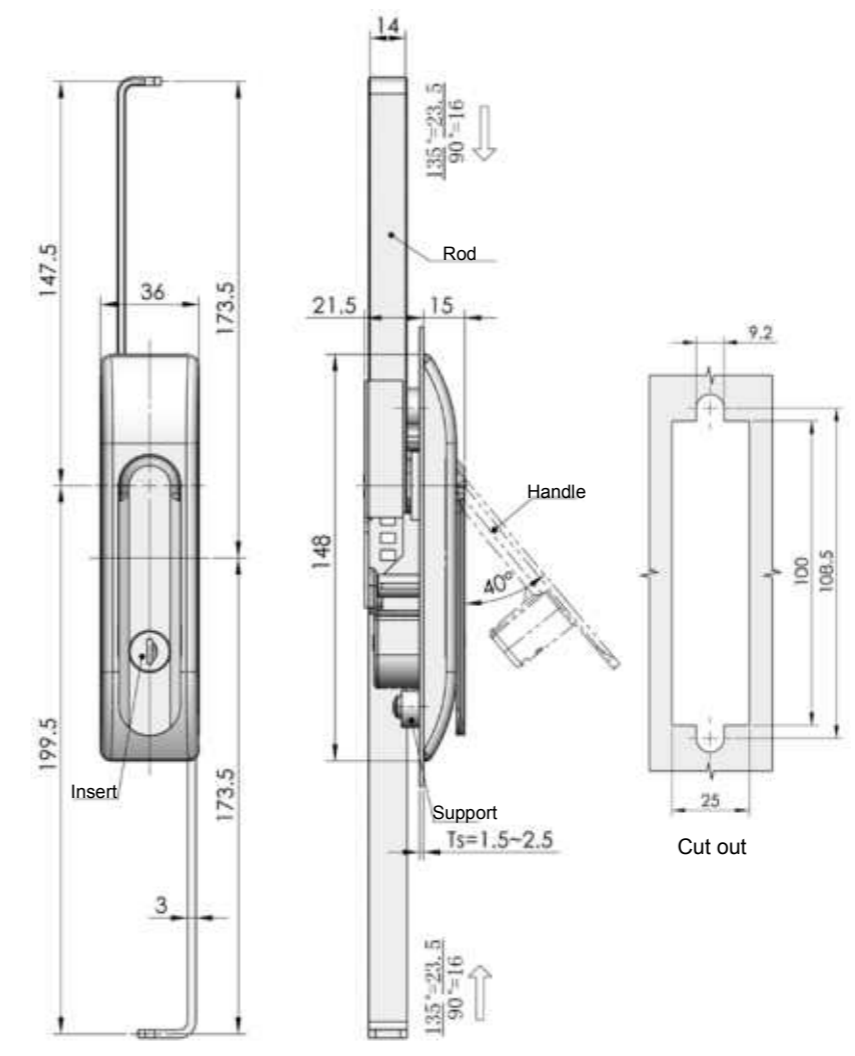
Main material and finish: Black PA panel, bright chrome-plated ZDC insert, white zinc-plated steel cam and rod
Application: Insert quarter-turn combines with rod latch system to open or close
Remarks: Default Key K15 series



Optional Accessories:
 See cam latch system Mb9 series on P157
 Rod latch system Mb5 series on P169



Specification	ERP		Optional key
	Rod latch system	Cam latch system	
Double bit	MS875N00T02006	MS875N00T02008	K15-01A K15-01F
Triangular 8mm	MS875N00T04002	MS875N00T04004	K15-03A K15-03F
Square 7mm	MS875N00T06002	MS875N00T06004	K15-06A K15-06F
Square 8mm	MS875N00T07002	MS875N00T07004	K15-04A K15-04F



MS865



Main material and finish: Black PA housing, handle, white zinc-plated steel rod
Application: Handle quarter-turn combines with rod latch system to open or close
Remarks: Default Key K140

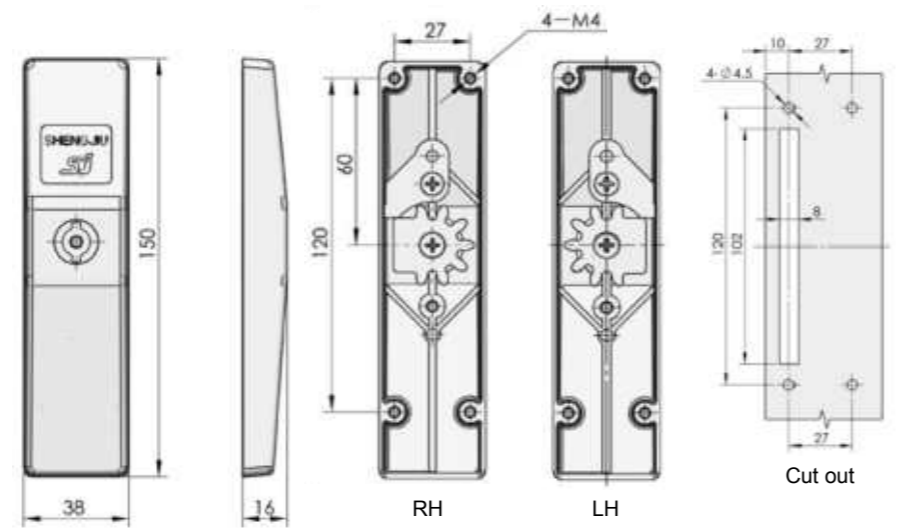
Specification	ERP
PA housing and handle	MS865N00140002
PA housing and pocked black powder coated ZDC handle	MS865N00140001

Accessories
Handle lock
Cylinder lock
Electronic lock
Swing handle
Rod control lock
Panel lock
Toggle and hook
Handles
Door stop
Hinge
Seal gasket

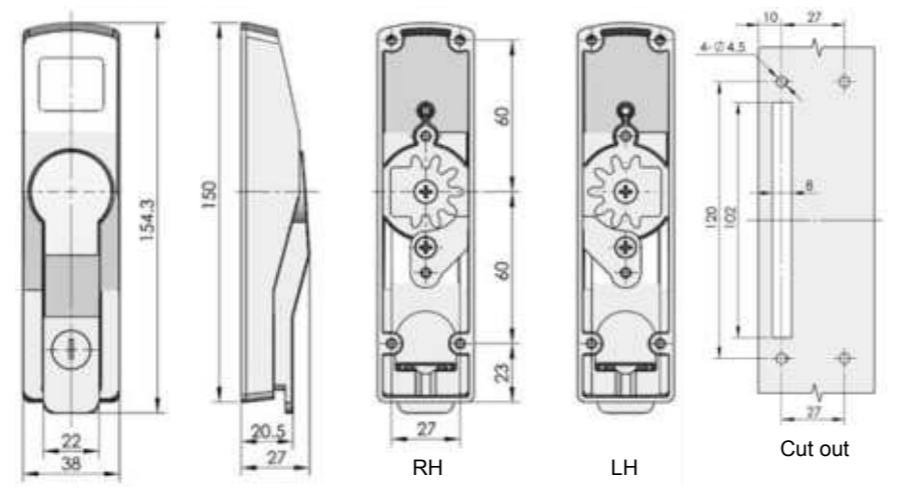
Accessories
Handle lock
Cylinder lock
Electronic lock
Swing handle
Rod control lock
Panel lock
Toggle and hook
Handles
Door stop
Hinge
Seal gasket



Main material and finish: Black powder coated ZDC handle and housing, ZDC insert
Remarks: Default Key K110

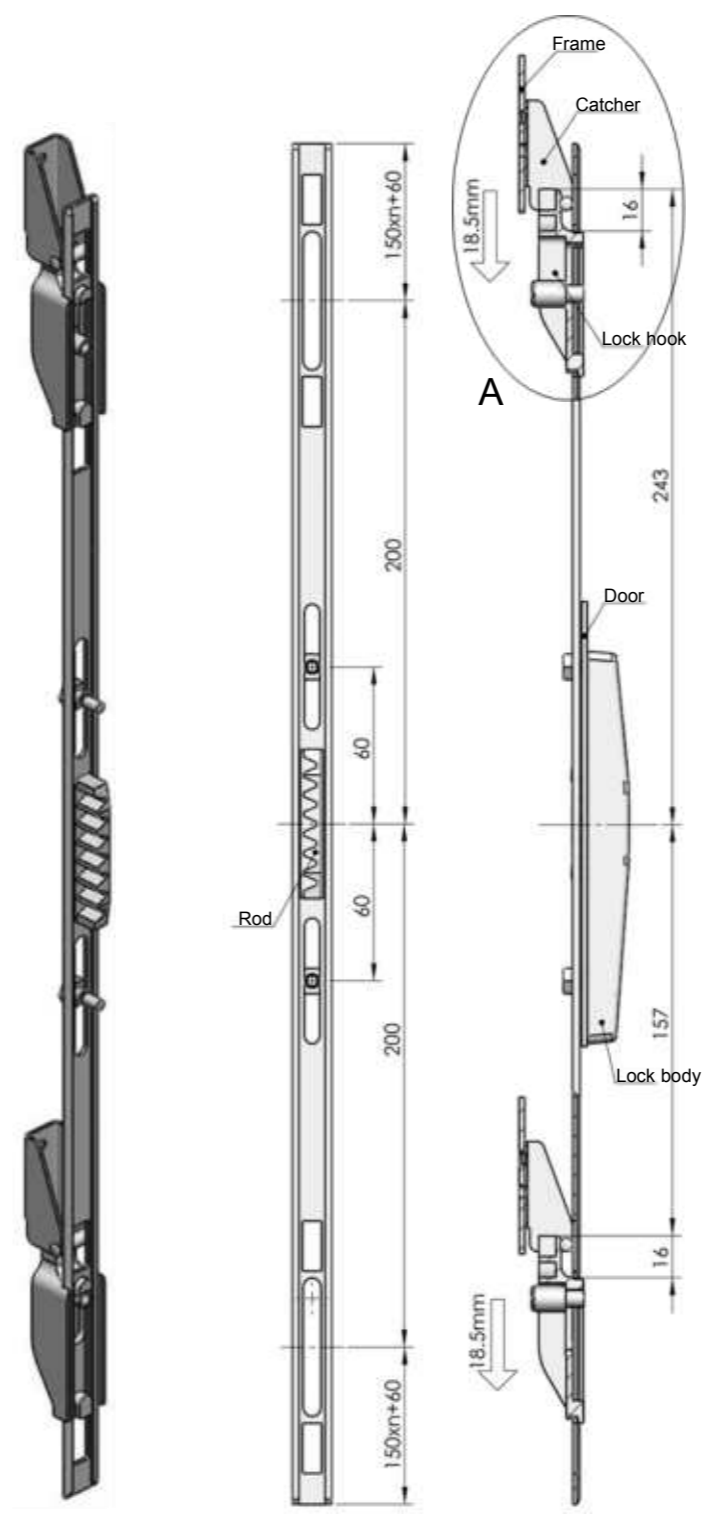


ERP MS851Z1AT01001

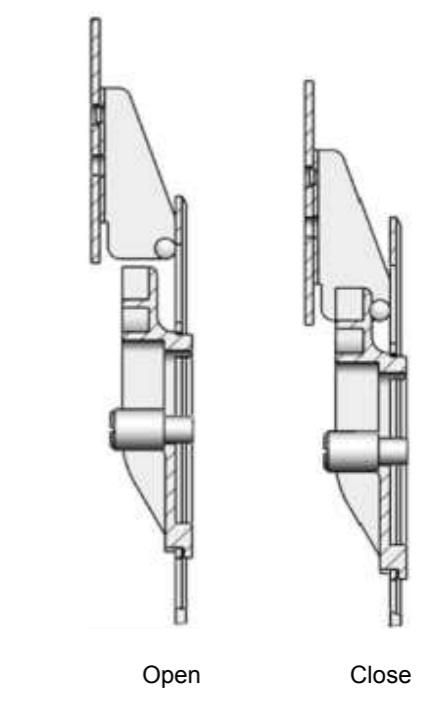


ERP MS852Z1A110001

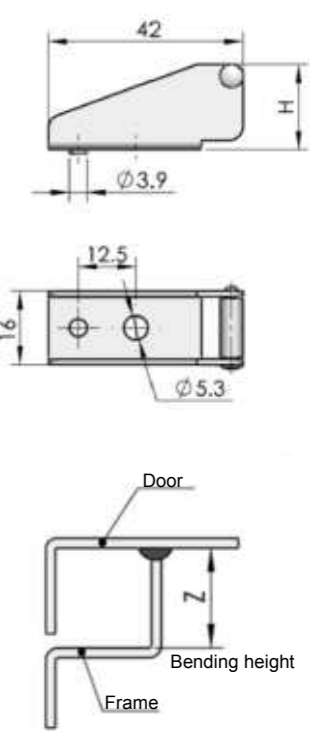
Example of application



Rod accessory



Catcher



Hook No	H	Z
KP1	19	15.5
KP2	20	16.5
KP3	22	18.5
KP4	25	21.5

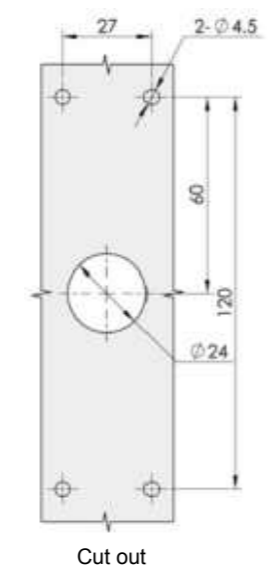
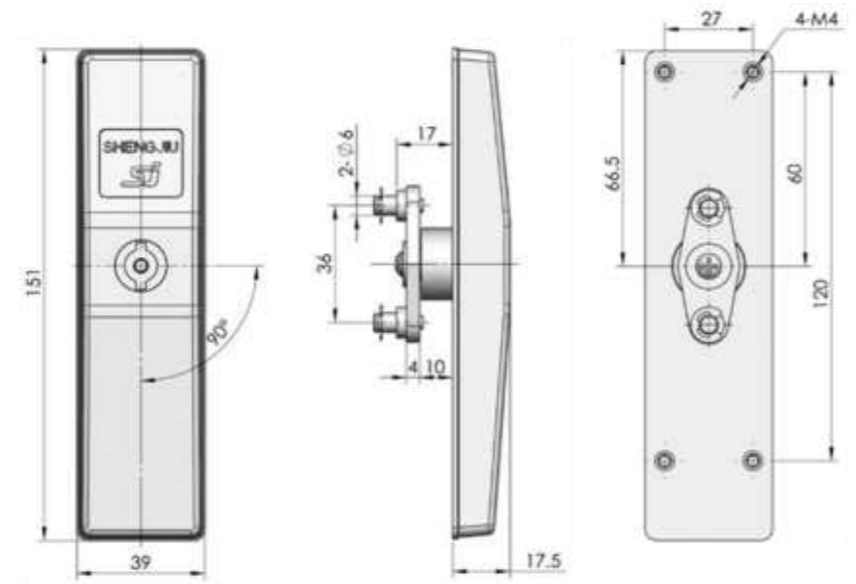
Accessories
Handle lock
Cylinder lock
Electronic lock
Swing handle
Rod control lock
Panel lock
Toggle and hook
Handles
Door stop
Hinge
Seal gasket

Accessories
Handle lock
Cylinder lock
Electronic lock
Swing handle
Rod control lock
Panel lock
Toggle and hook
Handles
Door stop
Hinge
Seal gasket

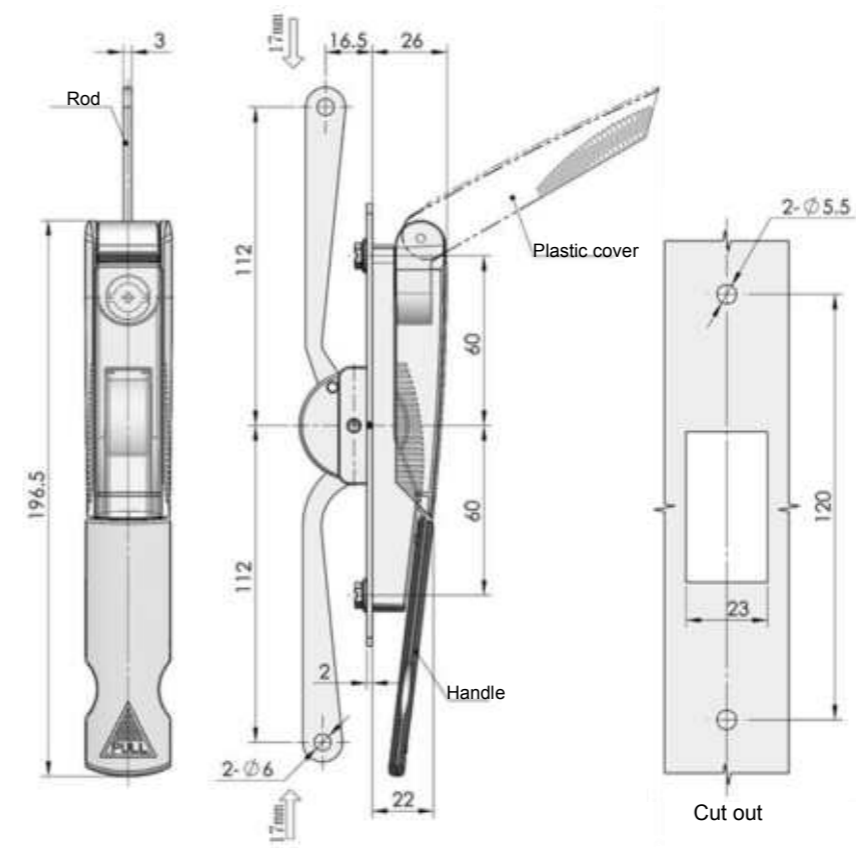


R **L** **IP 40** **2PL**

Main material and finish: Black powder coated ZDC housing and insert, white zinc-plated steel cam
Application: Insert quarter-turn combines with cam to open or close
Remarks: Optional Key K15-01C



ERP MS851Z1AT01002



Support (Optional)

Specification	ERP
Double bit	MS853Z1DT01001
Triangular	MS853Z1AT04001
Square 8mm	MS853Z1DT07001
Slot	MS853Z1DT10001
Default Key K04	MS853Z1D040001



IP 40 **MPL**

Main material and finish: Blue gray powder coated ZDC handle, housing, ZDC support, white zinc-plated steel rod, PC dust-proof cap
Remarks: Optional Key K15 series or K040

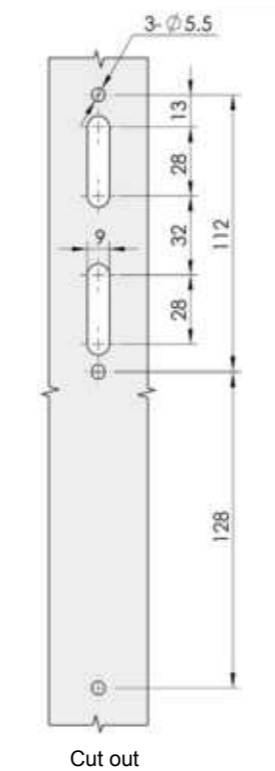
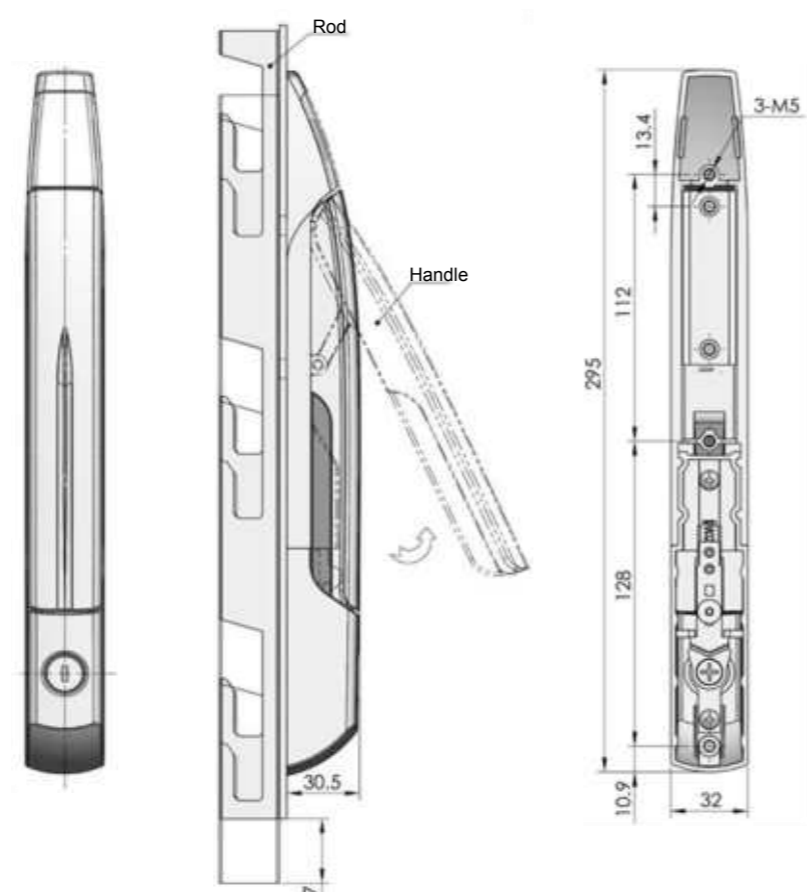
Accessories
Handle lock
Cylinder lock
Electronic lock
Swing handle
Rod control lock
Panel lock
Toggle and hook
Handles
Door stop
Hinge
Seal gasket

Accessories
Handle lock
Cylinder lock
Electronic lock
Swing handle
Rod control lock
Panel lock
Toggle and hook
Handles
Door stop
Hinge
Seal gasket



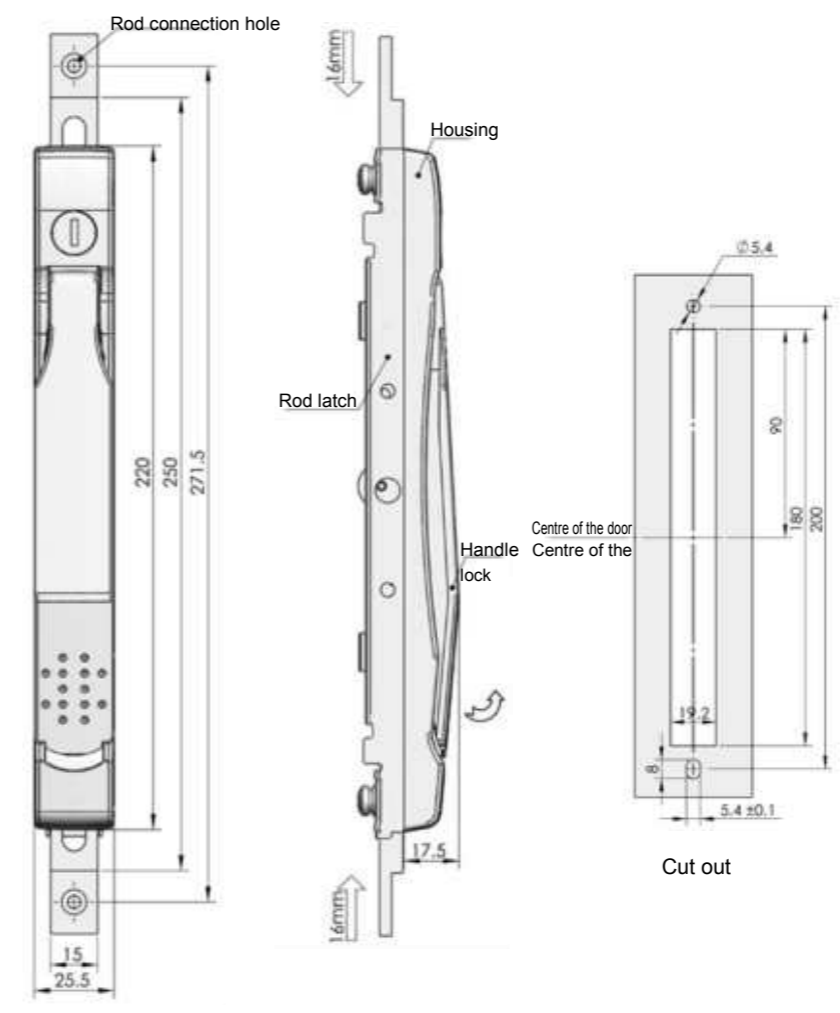
IP 40 **MPL**

Main material and finish: Yellow gray powder coated ZDC handle and housing, white zinc-plated ZDC rod
Application: Handle rotation to open or close rapidly, easy assembling
Remarks: Default Key K082



Remark: Generally rod prepared by user as per the frame instruction and lock stroke

ERP MS867Z1E082001



IP 40 **MPL**

Main material and finish: Pocked black powder coated ZDC handle and housing, white zinc-plated ZDC rod, stainless steel bracket
Remarks: Default Key K170

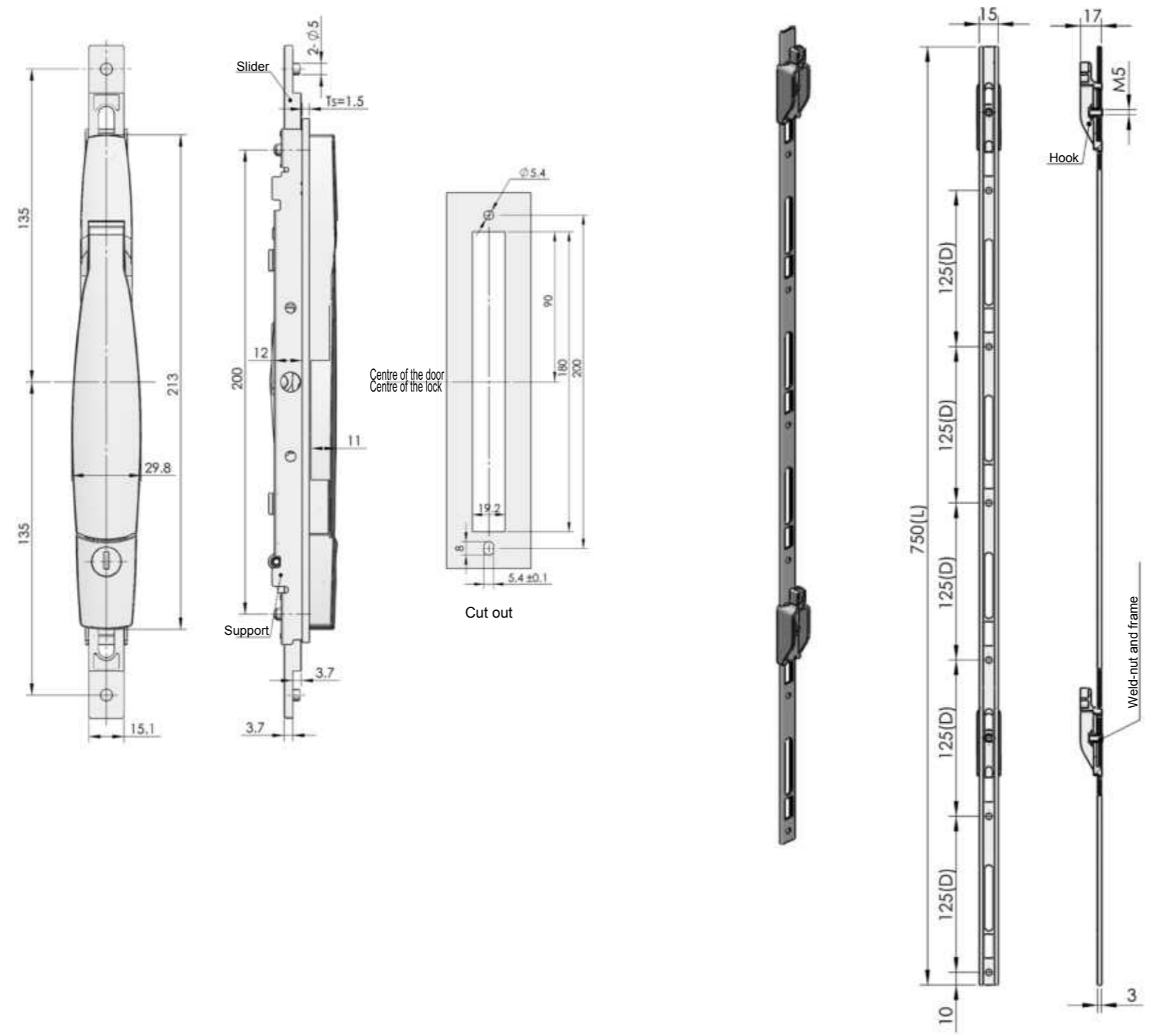
	Without insert	With insert
ERP	MS855Z1B170001	MS855Z1B170002

Accessories
Handle lock
Cylinder lock
Electronic lock
Swing handle
Rod control lock
Panel lock
Toggle and hook
Handles
Door stop
Hinge
Seal gasket

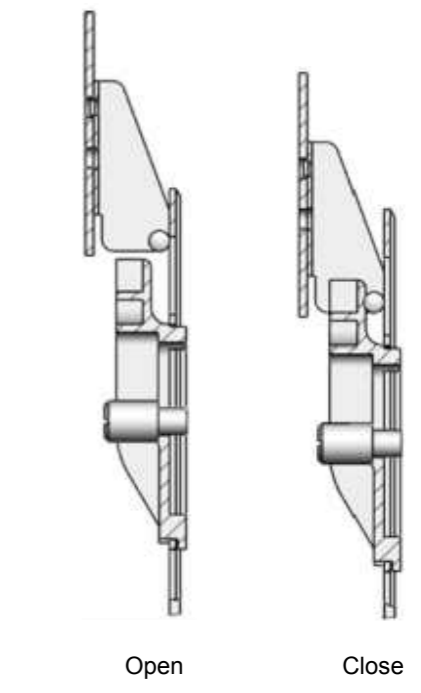


IP 40 **MPL**

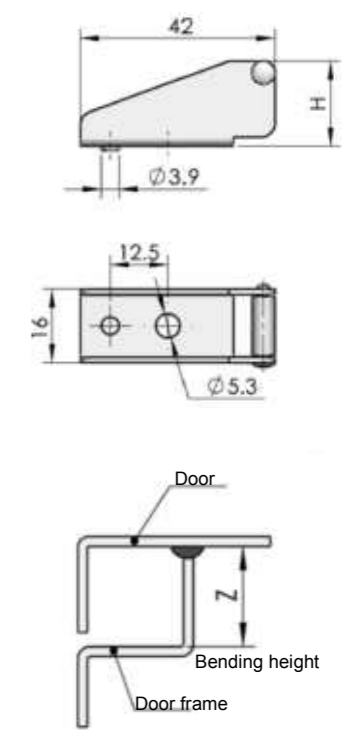
Main material and finish: Black ABS handle, housing, white zinc-plated ZDC slider, white zinc-plated support
Remarks: Default Key K400



ERP MS855Z1B400001



Catcher



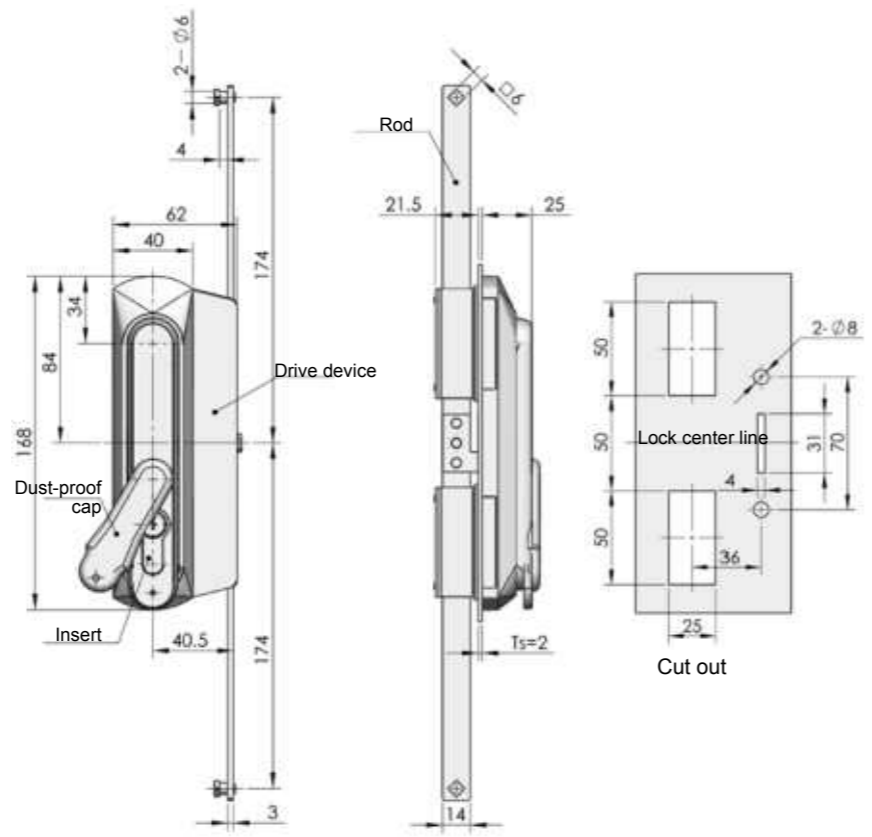
Hook No	H	Z
KP1	19	15.5
KP2	20	16.5
KP3	22	18.5
KP4	25	21.5

Accessories
Handle lock
Cylinder lock
Electronic lock
Swing handle
Rod control lock
Panel lock
Toggle and hook
Handles
Door stop
Hinge
Seal gasket



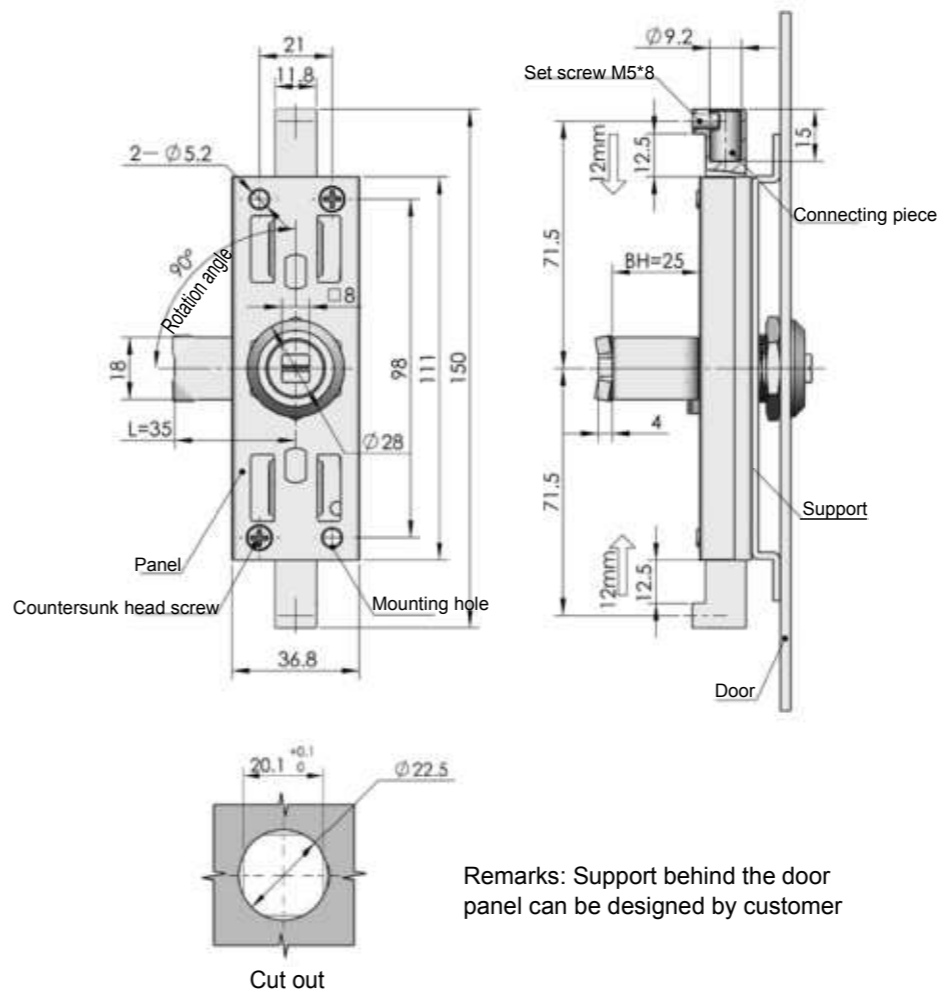
RL **2PL**

Main material and finish: Black PA lock body, zinc-plated steel rod
Remarks: Default key K140



Remarks: Change the drive device position to realize LH or RH

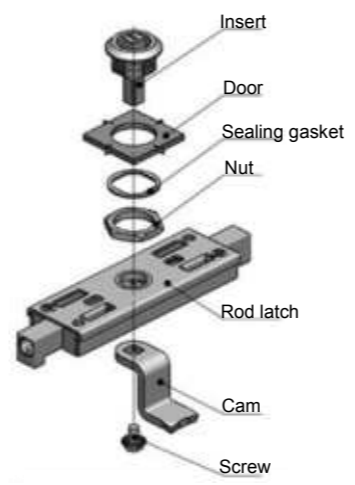
Specification	ERP
With dust-proof cap handle and TC series insert	MS882N00140003
With simple insert handle	MS882N00140006
With simple insert handle and buckle	MS882N00140004
With sliding dust-proof cap and TC series insert	MS882N00140005



Remarks: Support behind the door panel can be designed by customer

ERP MS810F3ET07001
Remarks: ERP excludes Cam

Exploded sketch



Optional key



ERP 3290154002



RL **IP 54** **3PL**

Main material and finish: Bright chrome-plated ZDC housing and insert, trivalent yellow zinc rod latch and cam
Application: Quarter-turn with insert to control cam and rods to perform three-point latching function
Remarks: Optional key K15 series

Accessories
Handle lock
Cylinder lock
Electronic lock
Swing handle
Rod control lock
Panel lock
Toggle and hook
Handles
Door stop
Hinge
Seal gasket

PANEL LOCK SERIES

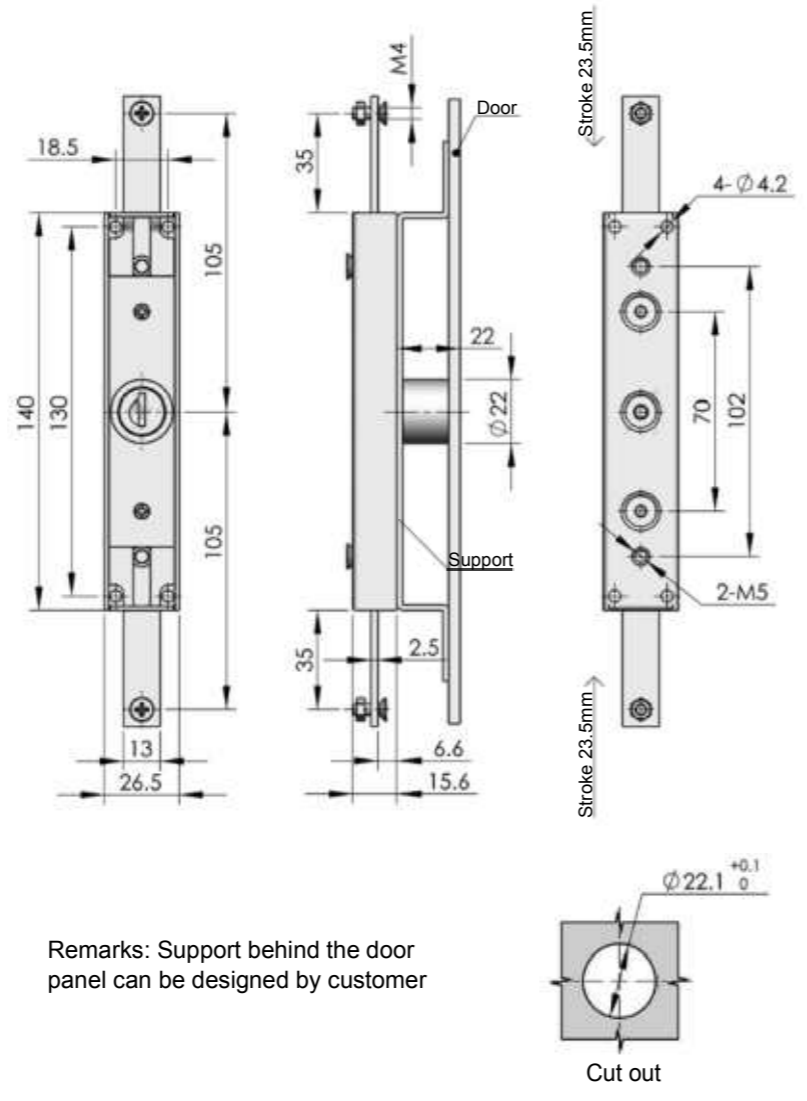
- Accessories
- Handle lock
- Cylinder lock
- Electronic lock
- Swing handle
- Rod control lock**
- Panel lock
- Toggle and hook
- Handles
- Door stop
- Hinge
- Seal gasket

MS889



2PL

Main material and finish: Zinc-plated steel lock body and latch, bright chrome-plated insert and lock housing
Application: 2 point latching
Remarks: Default key K140



Remarks: Support behind the door panel can be designed by customer

ERP MS889F3D140001

Default key



Accessories
 Handle lock
 Cylinder lock
 Electronic lock
 Swing handle
 Rod control lock
 Panel lock
 Toggle and hook
 Handles
 Door stop
 Hinge
 Seal gasket

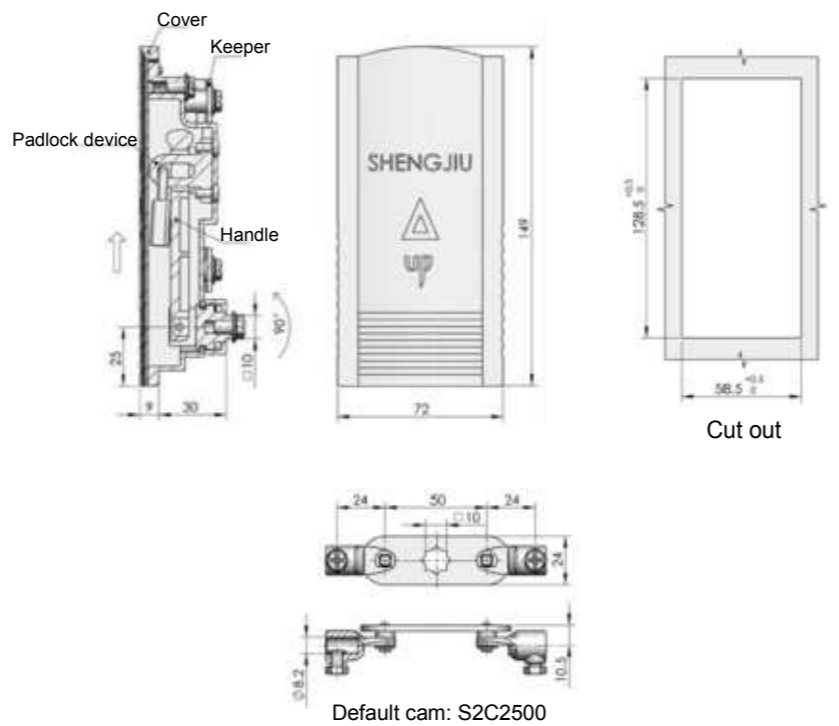
MS850-1



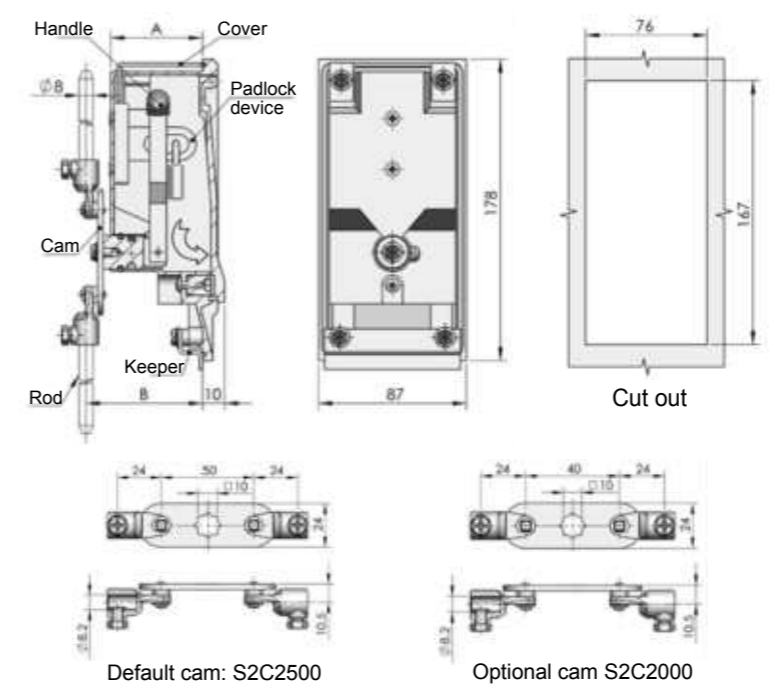
2PL

Main material and finish: Gray powder coated ZDC housing, handle, padlock device and cover, zinc-plated steel cam and keeper

Default cam: 2893250016



ERP MS850Z1D000001
 Remarks : ERP excludes Cam



Item	ERP	Specification	
		A	B
MS850-2	MS850A1D000007	54	69
MS850-2A	MS850A1D000008	44	59

Remarks : ERP excludes Cam

MS850-2 MS850-2A



2PL

Main material and finish: Gray powder coated device, cover and shaft, zinc-plated steel cam and keeper

Default cam: 2893250016

Accessories
 Handle lock
 Cylinder lock
 Electronic lock
 Swing handle
 Rod control lock
 Panel lock
 Toggle and hook
 Handles
 Door stop
 Hinge
 Seal gasket

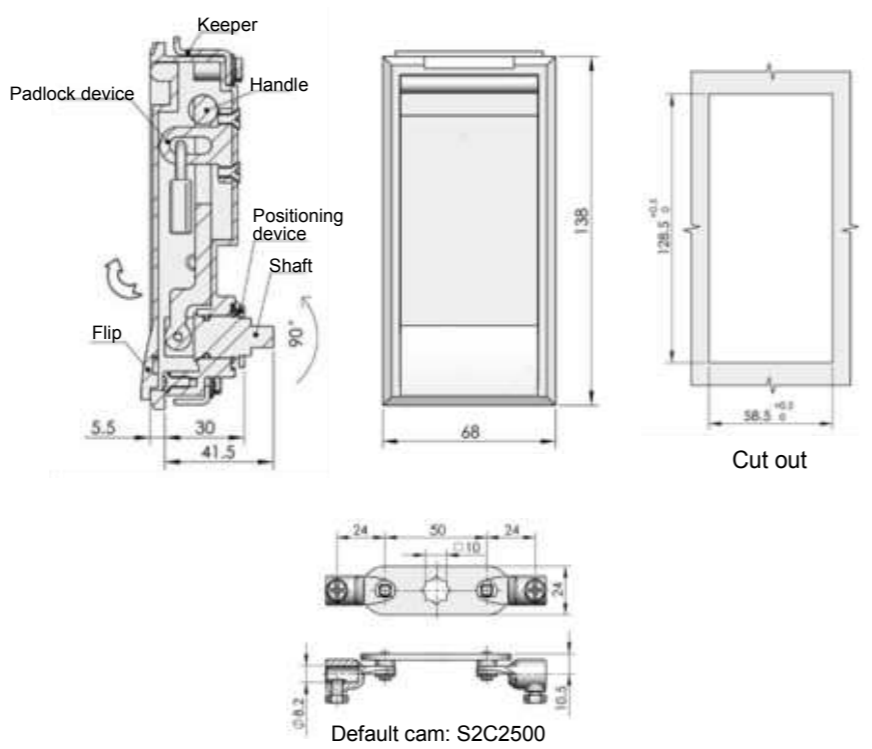
MS850-1A



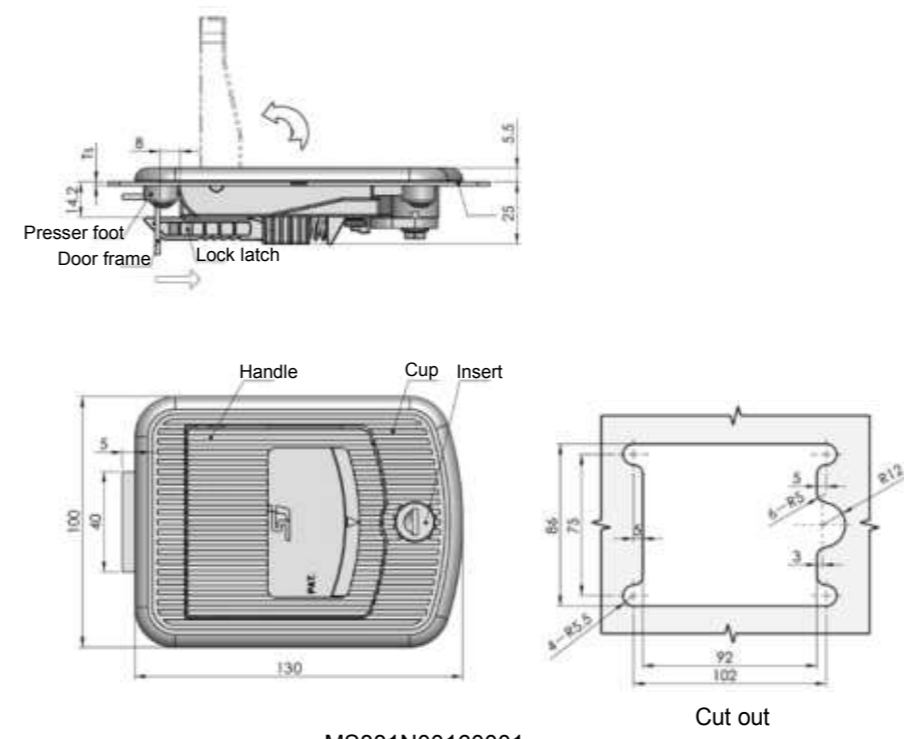
2PL

Main material and finish: Gray powder coated ALU housing, handle and cover, ZDC padlock device, zinc-plated steel shaft and keeper

Default cam: 2893250016



ERP MS850A1D000001
 Remarks : ERP excludes Cam



MS881-3



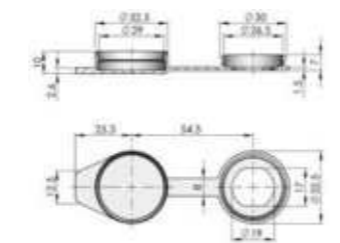
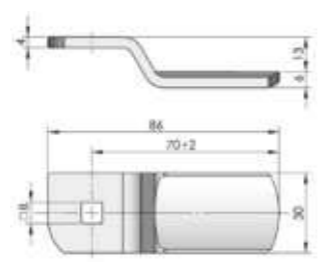
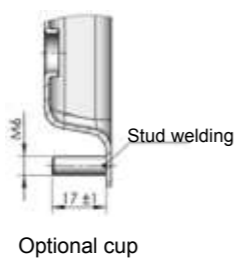
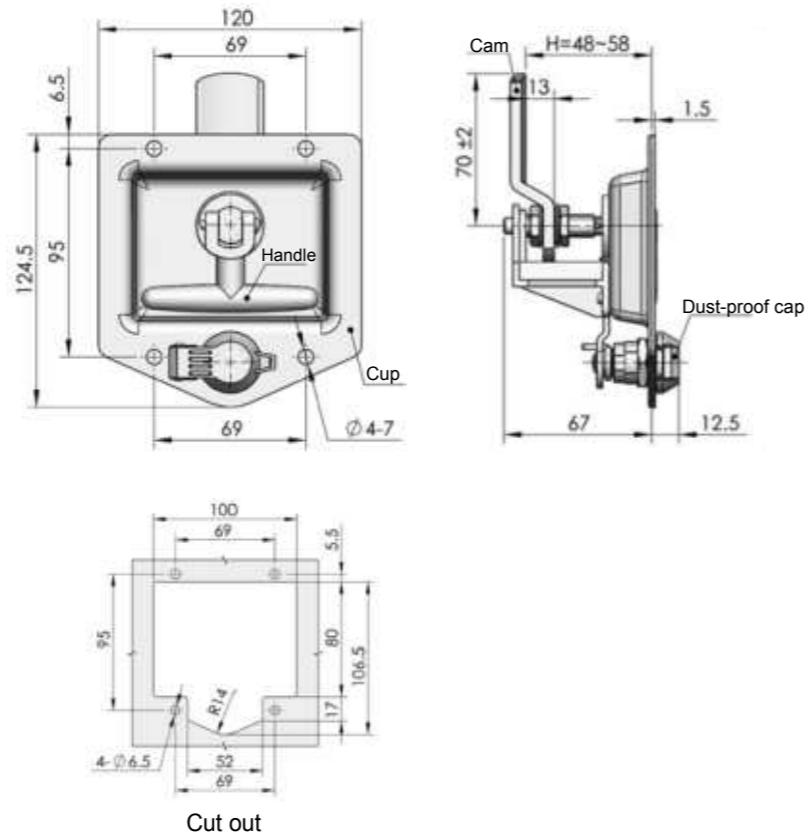
Main material and finish: Black PA
 Remarks: Default key K160

MS858



Main material and finish: Mirror polished stainless steel cup and cam, bright chrome-plated ZDC handle, shaft tube and dust-proof cap, white zinc-plated ZDC bracket and steel shaft
Remarks: Default key K130

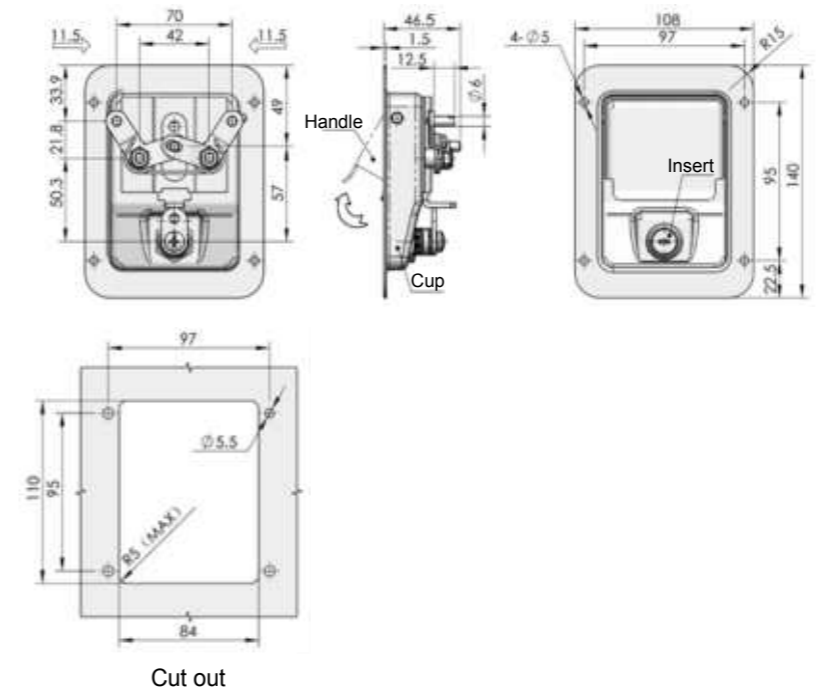
Default cam: S1B70Y13002



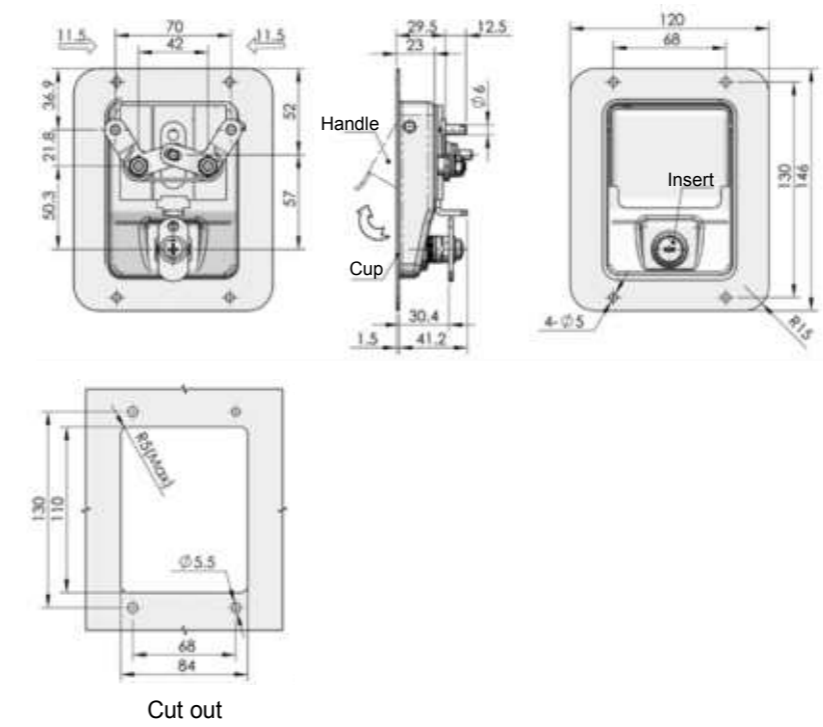
	Hole type	Screw bolt type
ERP	MS858S4A130001	MS858S4A130002

Remarks : ERP excludes Cam

MS866-1



MS866-2



ERP	MS866S4A082001	MS866S4A082002
-----	----------------	----------------

MS866-1



MS866-2

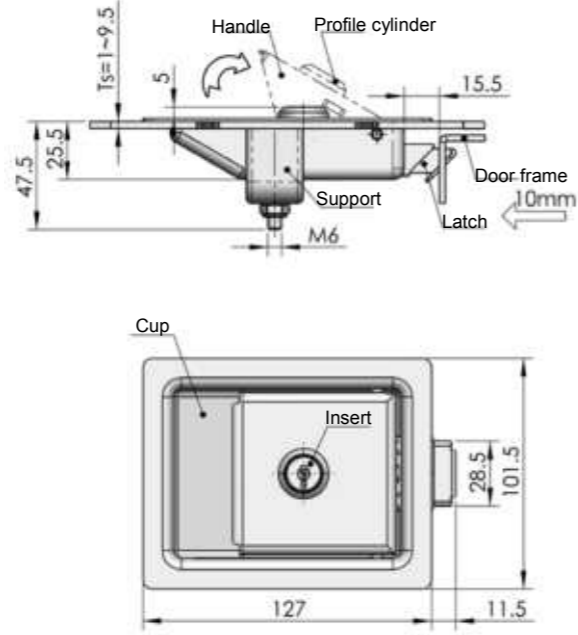


Main material and finish: Mirror polished stainless steel cup and handle, bright chrome-plated ZDC profile cylinder, zinc-plated other parts
Remarks: Default key K082

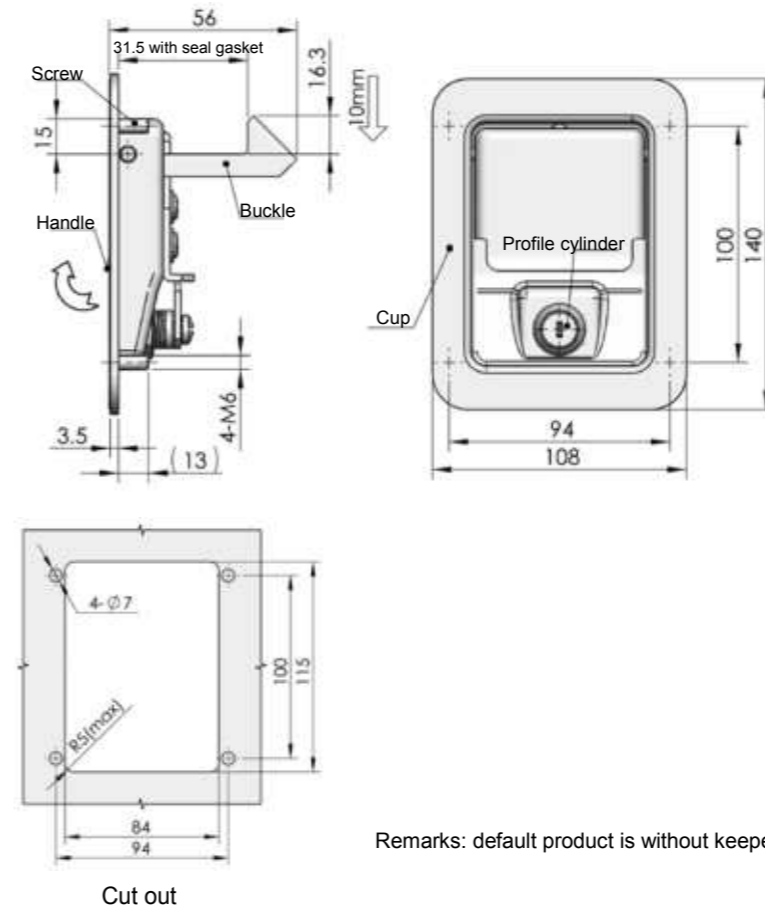
MS866-3



Main material and finish: Black powder coated steel cup, handle and ZDC profile cylinder, zinc-plated steel latch and support
Remarks: Default key K160



ERP	MS866F1A160001
-----	----------------



Remarks: default product is without keeper

MS866-5

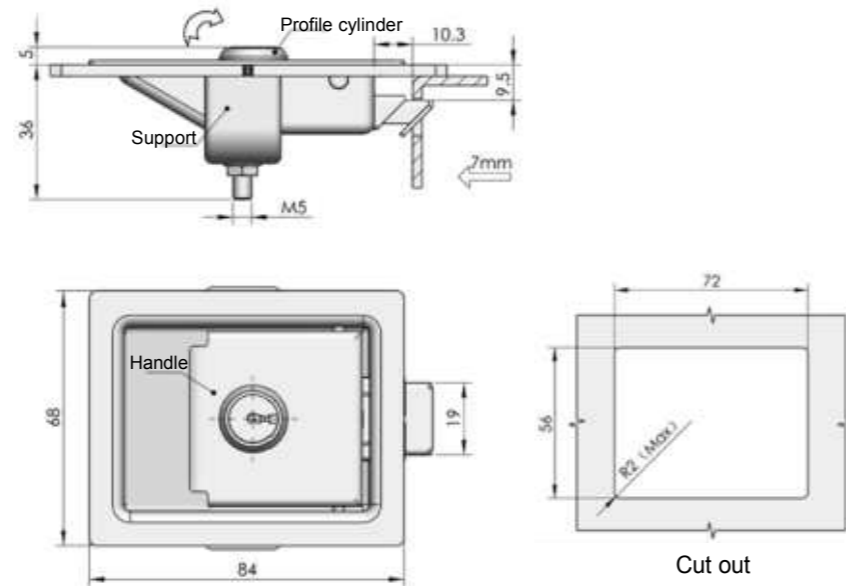


Main material and finish: Black powder coated steel cup and handle, nickle-plated ZDC profile cylinder, zinc-plated steel latch, support and weld screw
Remarks: Default key K082

MS866-4



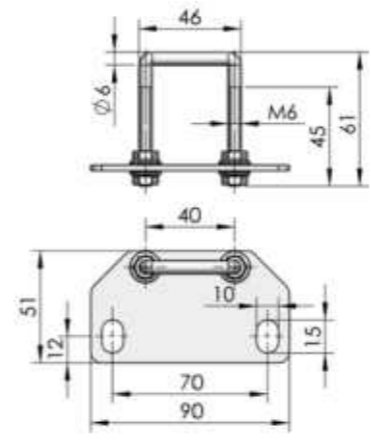
Main material and finish: Black powder coated steel cup and handle, sand blast and nickle-plated ZDC profile cylinder, zinc-plated steel latch, support and riveting screw
Remarks: Default key K330



	With insert	Without insert
ERP	MS866F1A330001	MS866F1A000001

Specification	ERP	
	With insert	Without insert
H=31.5	MS866F1A080001	MS866F2B000001
H=44	MS866F1A080002	MS866F2B000002
H=55	MS866F1A080003	MS866F2B000003

Pull buckle

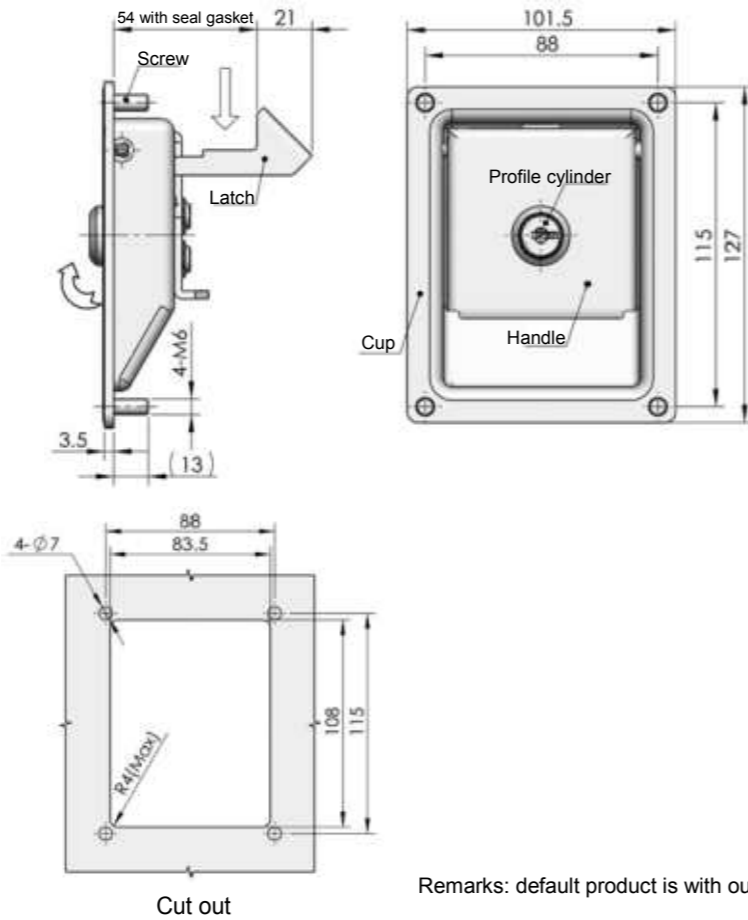


ERP	2138665001
-----	------------

MS866-6

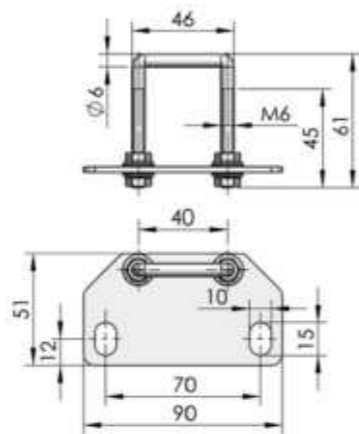


Main material and finish: Black powder coated steel cup, handle and ZDC profile cylinder, zinc-plated steel latch, support and weld screw
Remarks: Default key K160

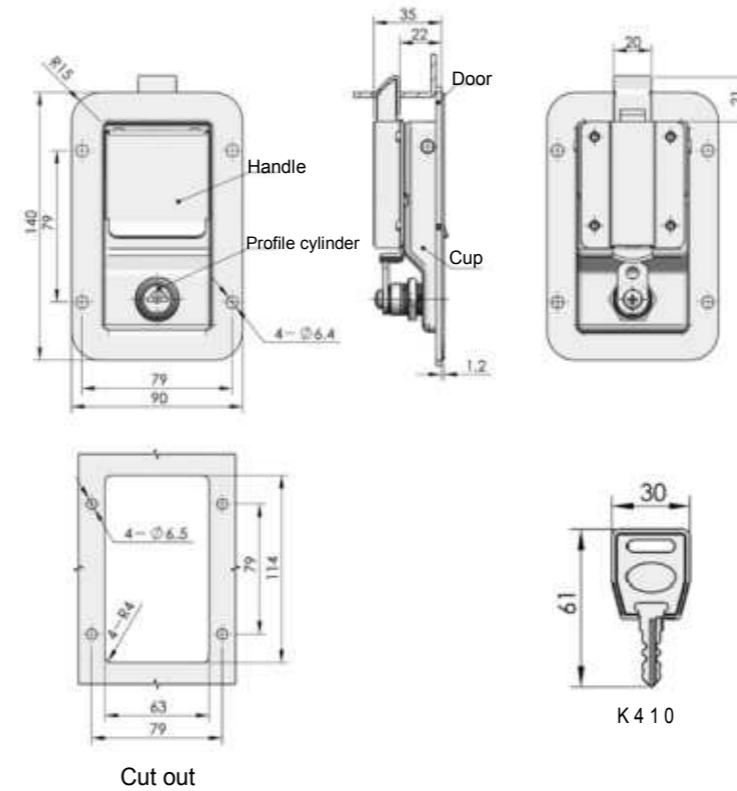


Specification	ERP	
	With insert	Without insert
H=30.5	MS866F1A160004	MS866F1A000011
H=43	MS866F1A160003	MS866F1A000010
H=54	MS866F1A160002	MS866F1A000009

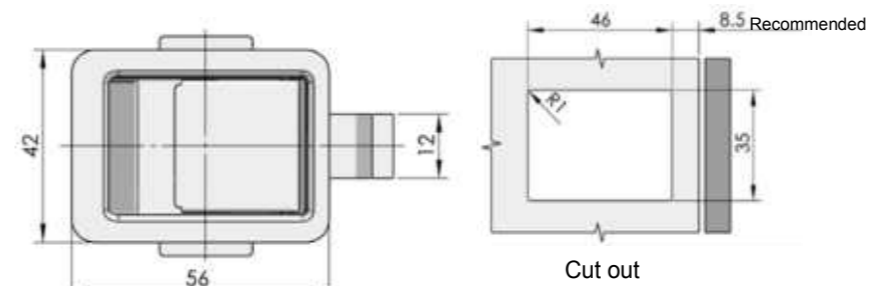
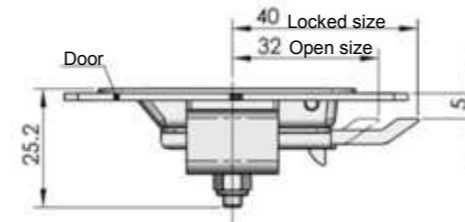
Pull buckle



ERP 2138665001



ERP MS866S4A410001



MS866-7



Main material and finish: Stainless steel cup, handle, latch and cam, bright chrome-plated profile cylinder
Remarks: Default key K410

MS866-8



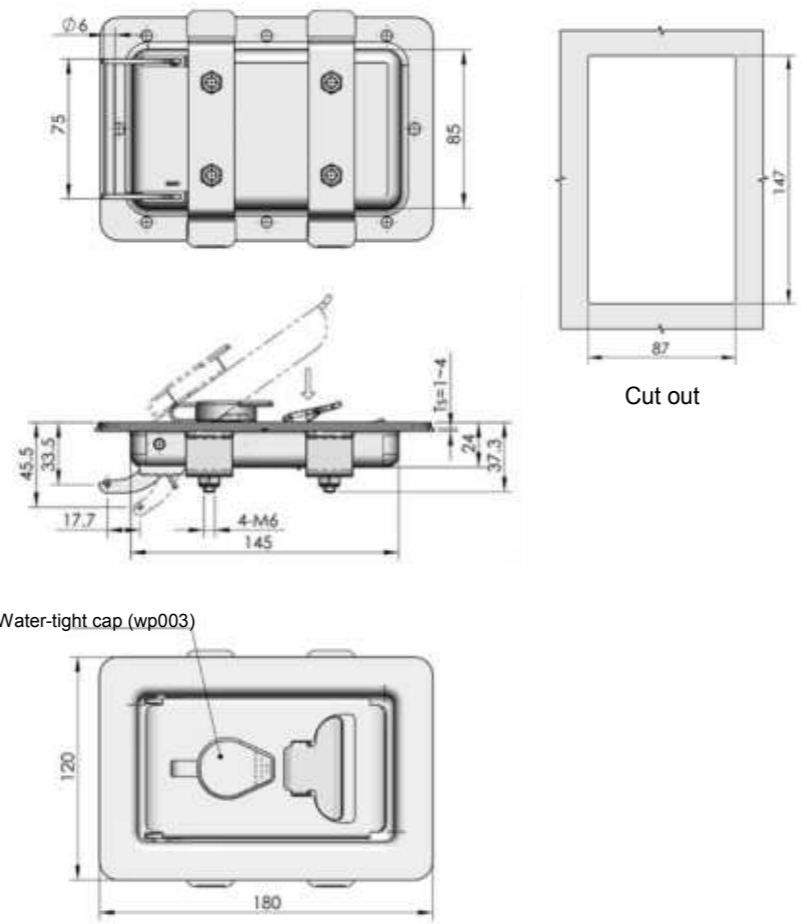
Main material and finish: Wire-drawing polished stainless steel

Accessories
Handle lock
Cylinder lock
Electronic lock
Swing handle
Rod control lock
Panel lock
Toggle and hook
Handles
Door stop
Hinge
Seal gasket

MS866-11

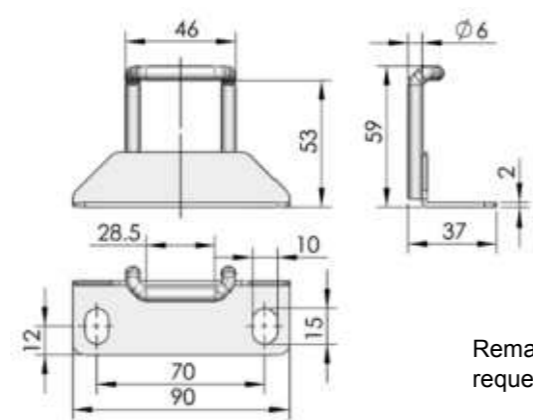


Main material and finish: Mirror polished stainless steel cup, handle and button, bright chrome-plated profile cylinder
Remarks: Default key K082



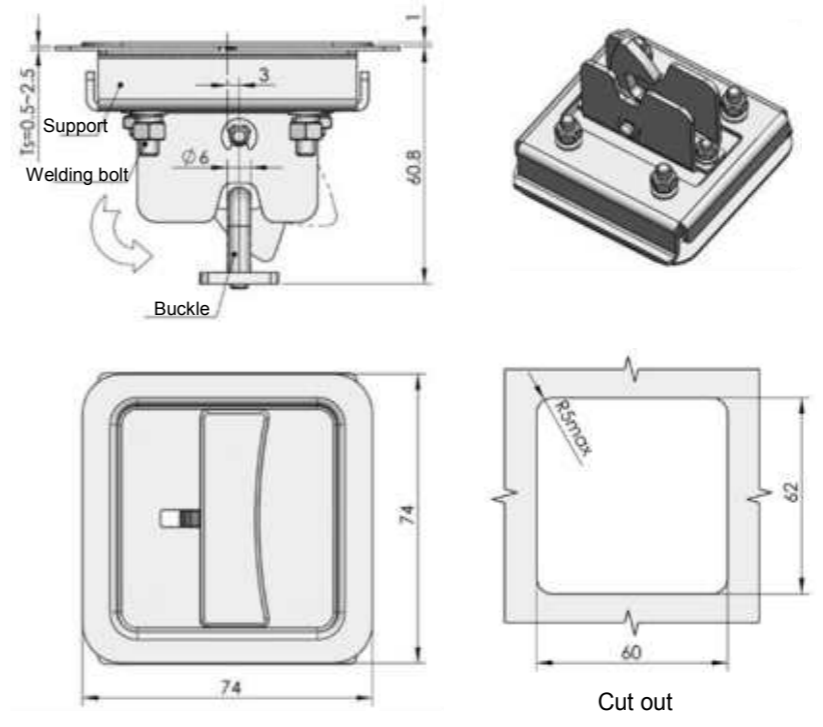
ERP MS866S4A083001

Pull buckle



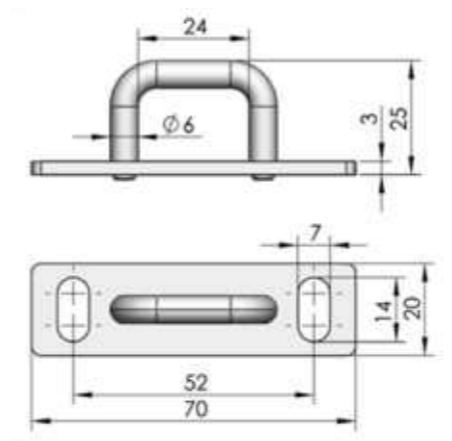
Remarks: please specify on request of buckle accessory

ERP 2138665003



ERP MS866S4C000001

Pull buckle



Remarks: please specify on request of buckle accessory

2248661401

MS866-14



Main material and finish: Stainless steel

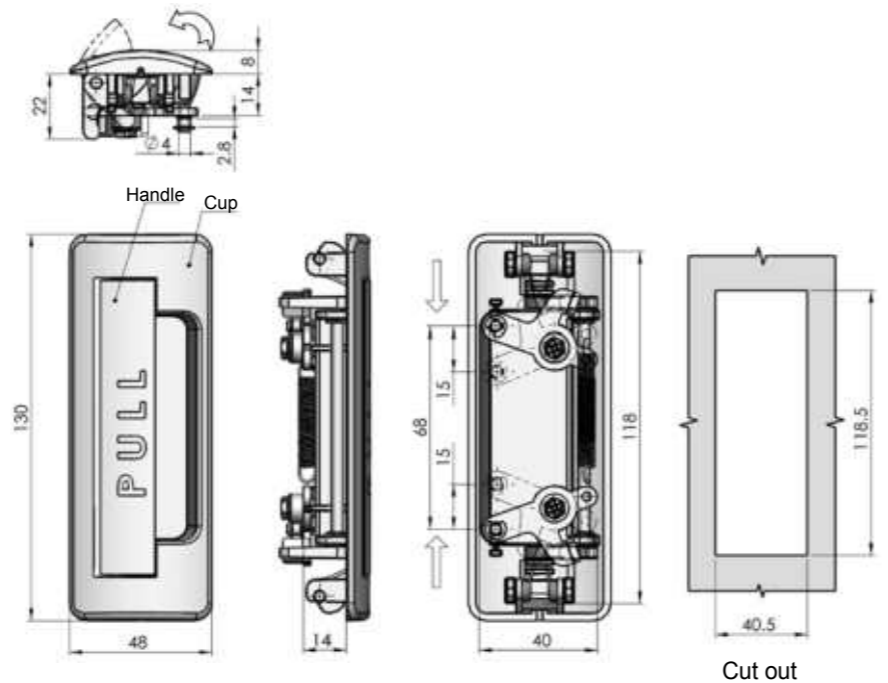
Accessories
Handle lock
Cylinder lock
Electronic lock
Swing handle
Rod control lock
Panel lock
Toggle and hook
Handles
Door stop
Hinge
Seal gasket

Accessories
Handle lock
Cylinder lock
Electronic lock
Swing handle
Rod control lock
Panel lock
Toggle and hook
Handles
Door stop
Hinge
Seal gasket

MS866-13



Main material and finish: Nanometer painted ZDC lock



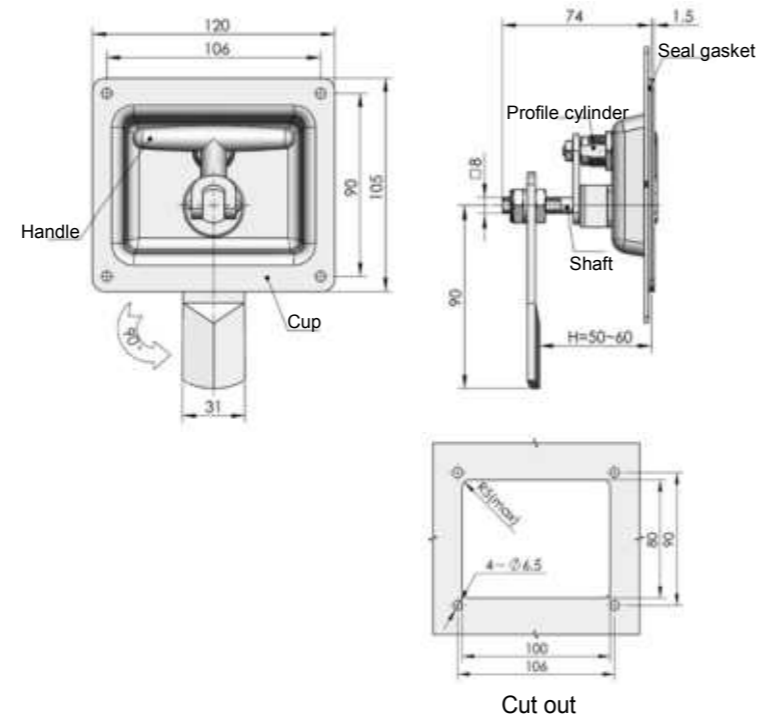
ERP	MS866Z2B000001
-----	----------------

MS871



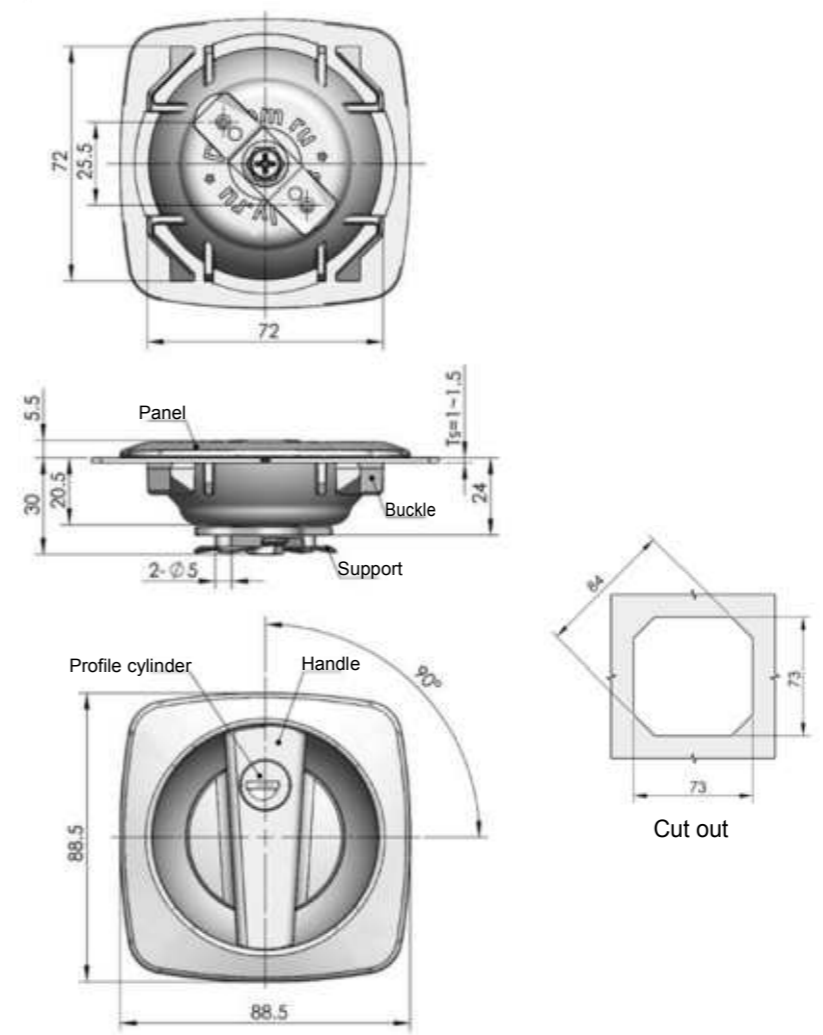
Main material and finish: Mirror polished stainless steel cup and shaft, bright chrome-plated handle and shaft tube
Remarks: Default key K15-05A

Default cam: S1B90Y00002



	With insert	Without insert
ERP	MS871S4AT05001	MS871S4A000001

Remarks : ERP excludes Cam



	With insert	Without insert
ERP	MS870N2B160001	MS870N2B000001

MS870



RL

Main material and finish: Black PA housing and handle, zinc-plated steel support

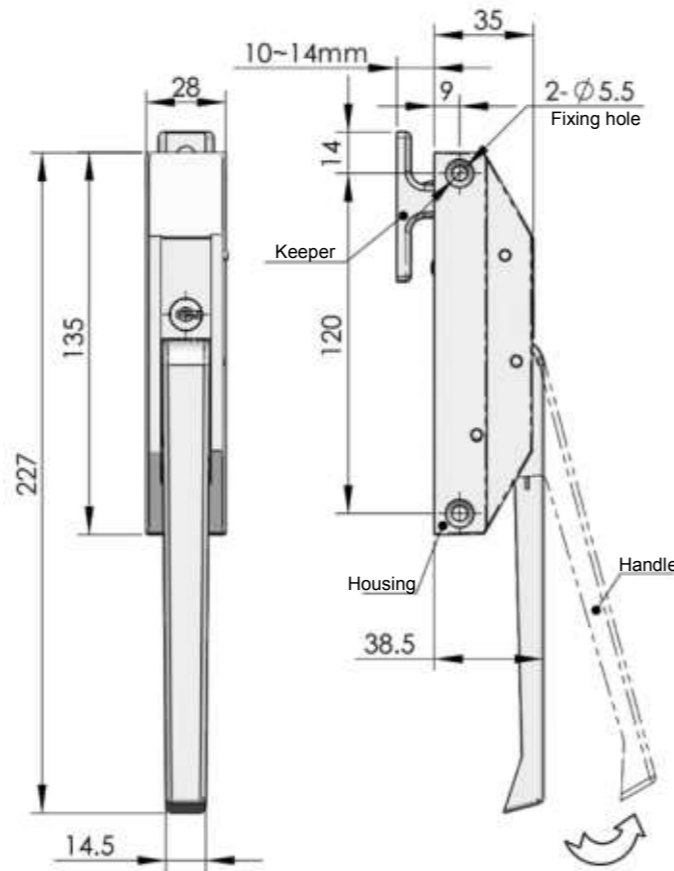
Remarks: Default key K160

Accessories
Handle lock
Cylinder lock
Electronic lock
Swing handle
Rod control lock
Panel lock
Toggle and hook
Handles
Door stop
Hinge
Seal gasket

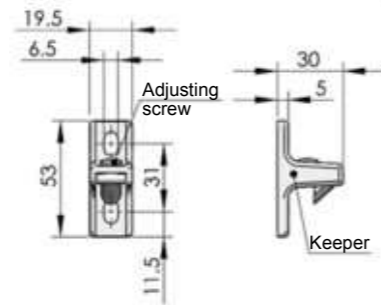
DK680



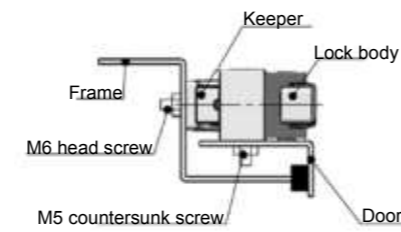
Main material and finish: Bright chrome-plated ZDC housing, keeper and profile cylinder, stainless steel handle
Remarks: Default key K260



Keeper (Accessory)



Example of application

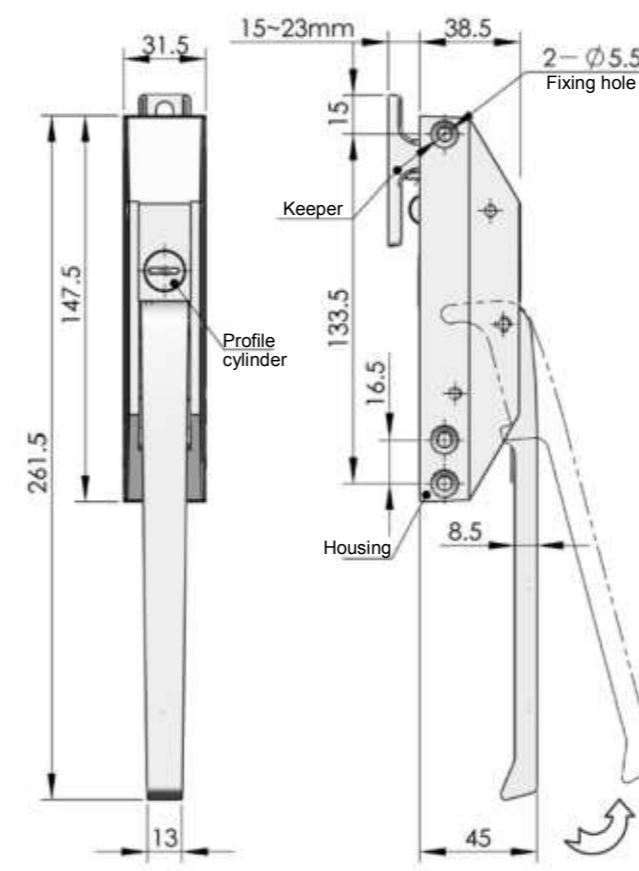


ERP	Specification
DK680Z3A260001	With insert
DK680Z3A000001	Without insert

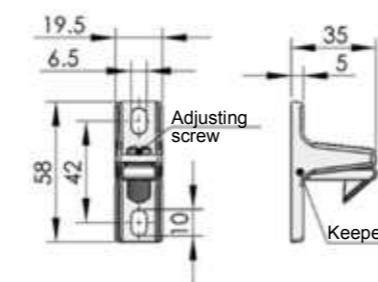
DK690



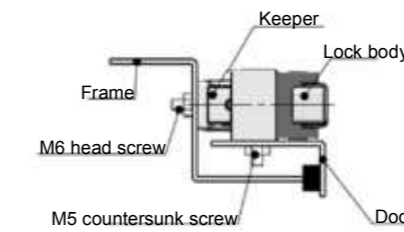
Main material and finish: Bright chrome-plated ZDC housing, handle, keeper and profile cylinder
Remarks: Default key K270



Keeper (Accessory)



Example of application

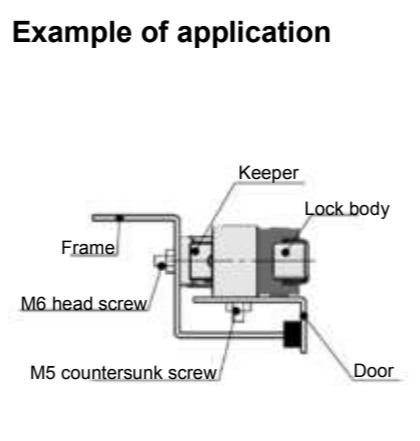
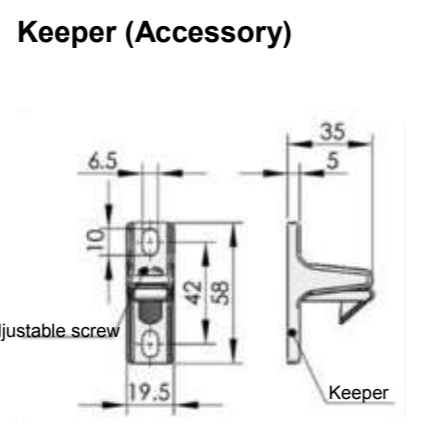
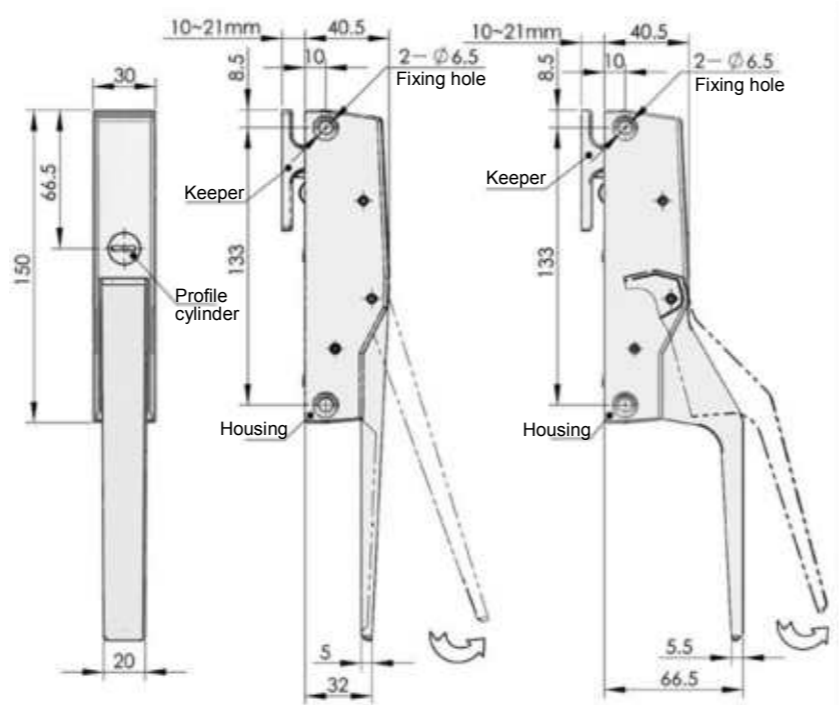


ERP	Specification
DK690Z3A270001	With insert
DK690Z3A000001	Without insert

Accessories
Handle lock
Cylinder lock
Electronic lock
Swing handle
Rod control lock
Panel lock
Toggle and hook
Handles
Door stop
Hinge
Seal gasket



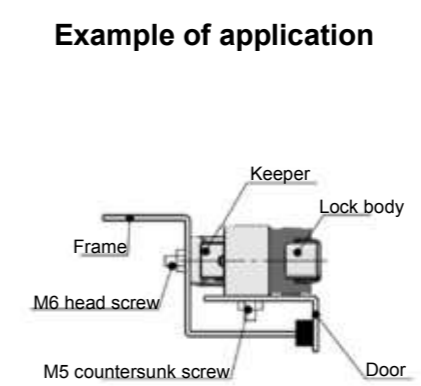
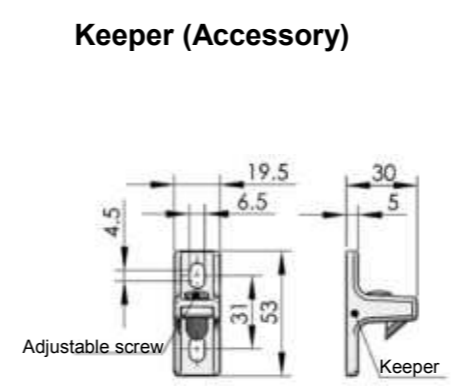
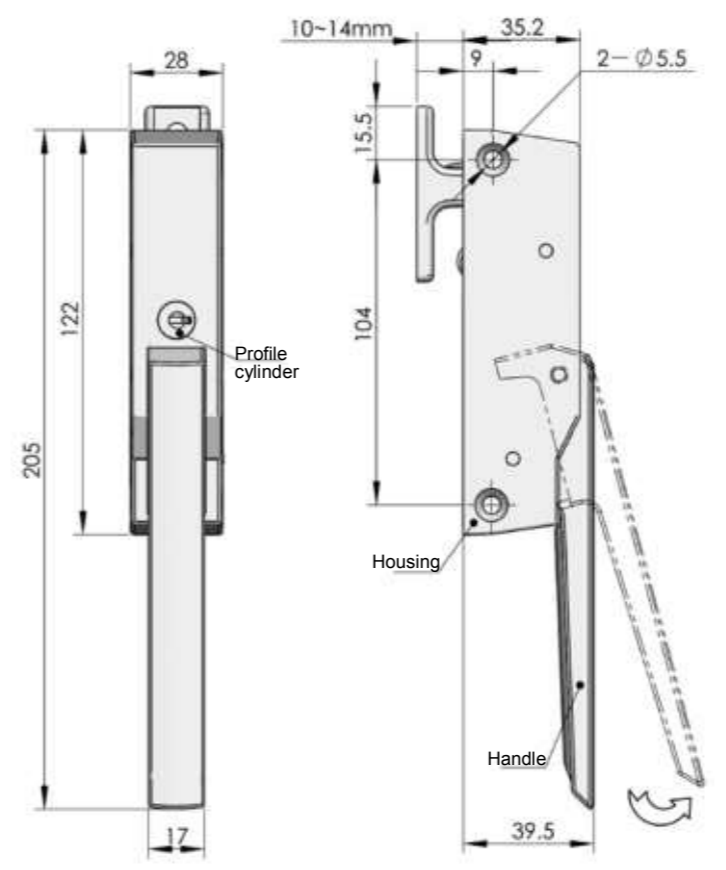
DK790
Main material and finish: Bright chrome-plated ZDC housing, handle, keeper and profile cylinder
Remarks: Default key K270



ERP	Specification
DK790Z3A270001	With profile cylinder, straight handle
DK790Z3A270002	With profile cylinder, curved handle
DK790Z3A000001	Without profile cylinder, straight handle
DK790Z3A000002	Without profile cylinder, curved handle



DK880
Main material and finish: Bright chrome-plated ZDC housing, handle, keeper and profile cylinder
Remarks: Default key K260



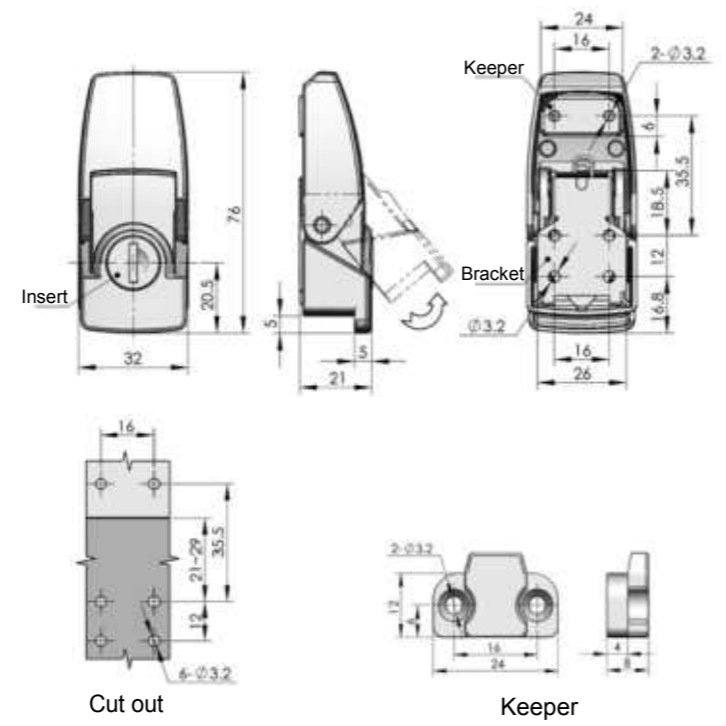
ERP	Specification
DK880Z3A260001	With profile cylinder, ZDC handle
DK880Z3A260002	With profile cylinder, stainless steel handle
DK880Z3A260003	With profile cylinder, PA handle
DK880Z3A000001	Without profile cylinder, ZDC handle
DK880Z3A000002	Without profile cylinder, stainless steel handle
DK880Z3A000003	Without profile cylinder, PA handle

Accessories
Handle lock
Cylinder lock
Electronic lock
Swing handle
Rod control lock
Panel lock
Toggle and hook
Handles
Door stop
Hinge
Seal gasket

Accessories
Handle lock
Cylinder lock
Electronic lock
Swing handle
Rod control lock
Panel lock
Toggle and hook
Handles
Door stop
Hinge
Seal gasket



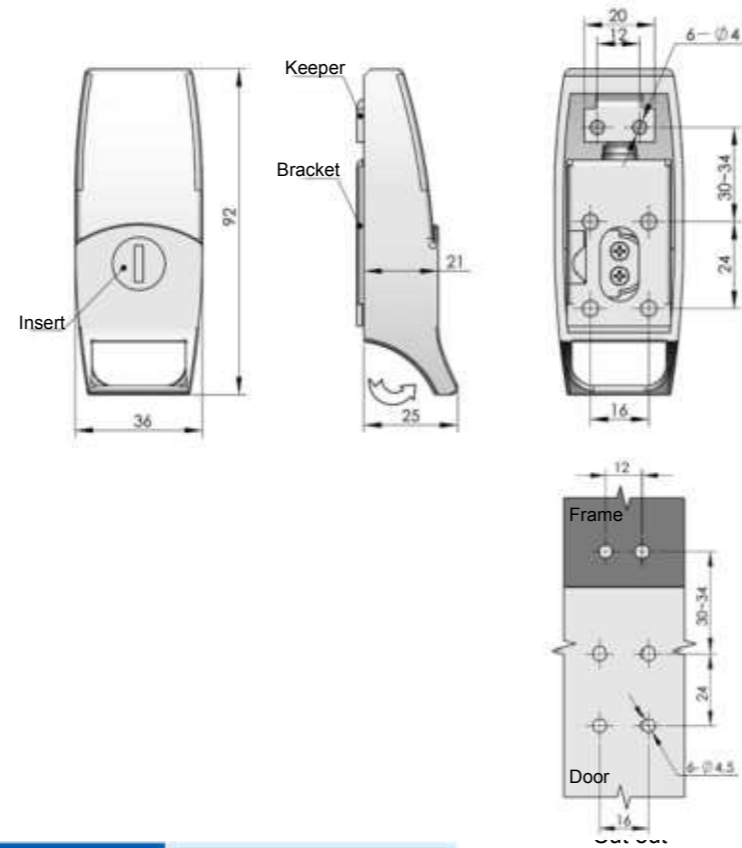
DKS
Main material and finish: ZDC housing and keeper, stainless steel bracket
Remarks: Optional key K080



Specification	ERP	
	Bright chrome-plated	Black powder coated
With insert	DKDKSZ3B080001	DKDKSZ1A080001
	DKDKSZ3B000001	DKDKSZ1A000001



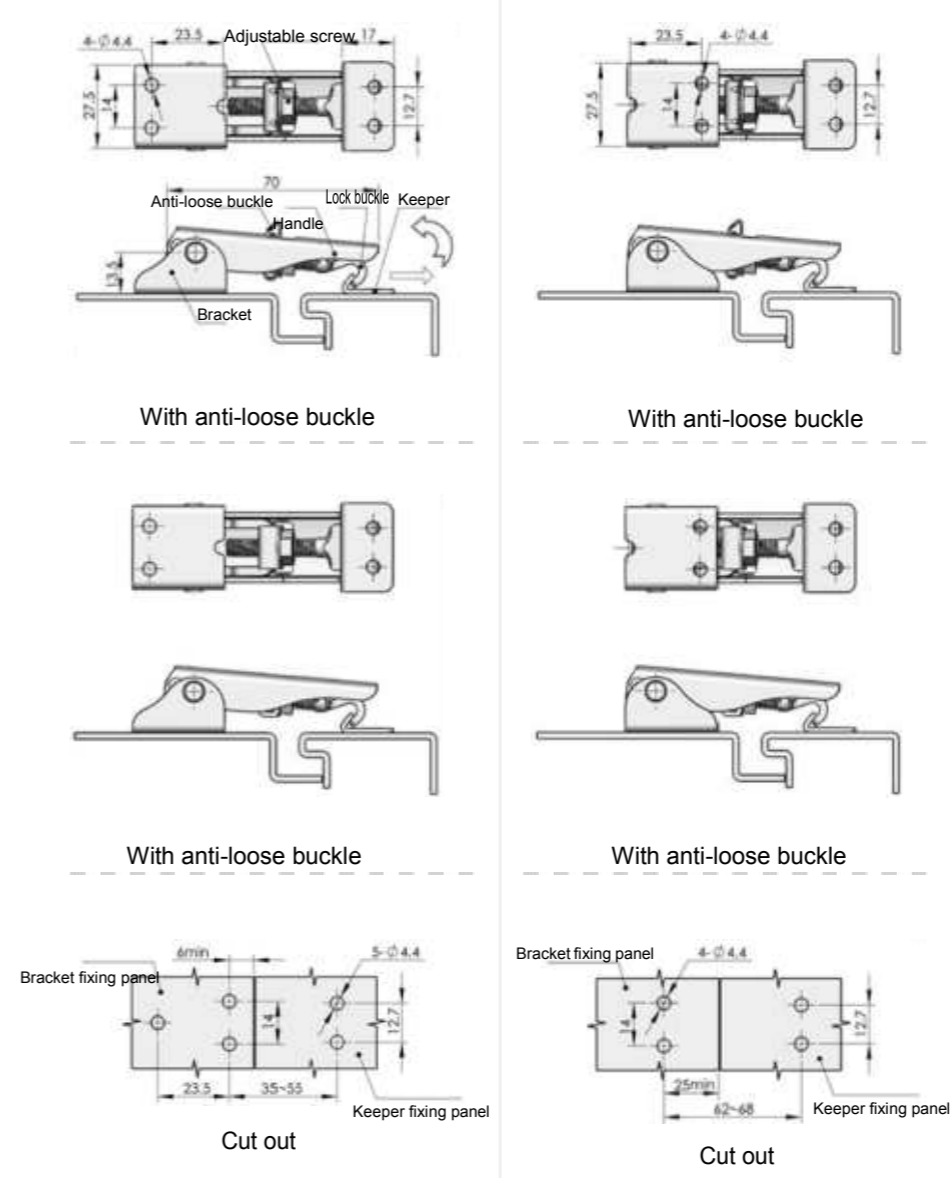
DK601
Main material and finish: Black powder coated ZDC housing, stainless steel bracket and keeper
Remarks: Optional key K080



DK601Z1A080001

Exposed type

Concealed type



Specification	Exposed type Steel		Concealed type Steel	
	Stainless steel	Steel	Stainless steel	Steel
Without anti-loose hook	DK602S4A000001	DK602F3D000001	DK602S4A000002	DK602F3D000002
With anti-loose hook	DK602S4A000003	DK602F3D000004	DK602S4A000004	DK602F3D000005



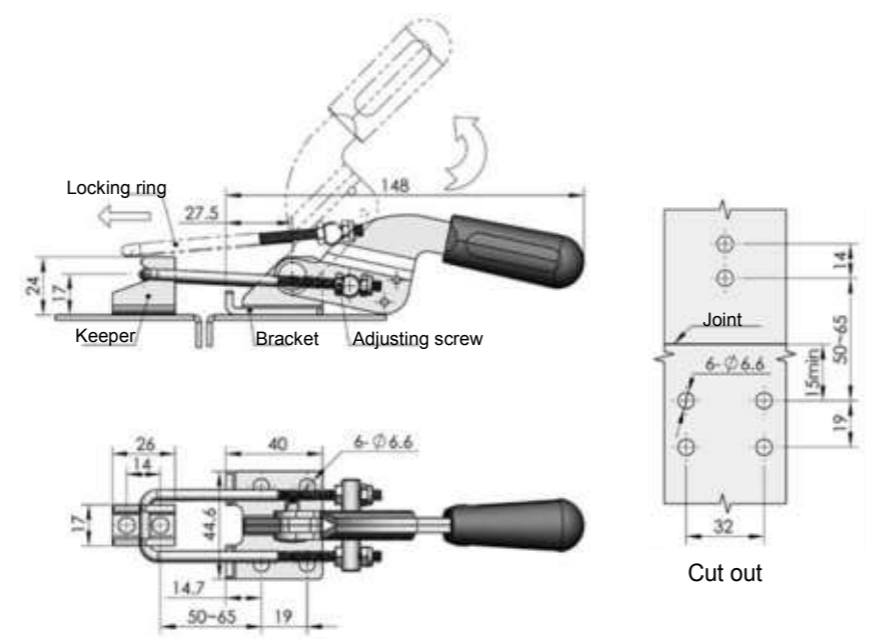
DK602
Main material and finish: Electrolysis polished stainless steel or zinc-plated steel

Accessories
Handle lock
Cylinder lock
Electronic lock
Swing handle
Rod control lock
Panel lock
Toggle and hook
Handles
Door stop
Hinge
Seal gasket

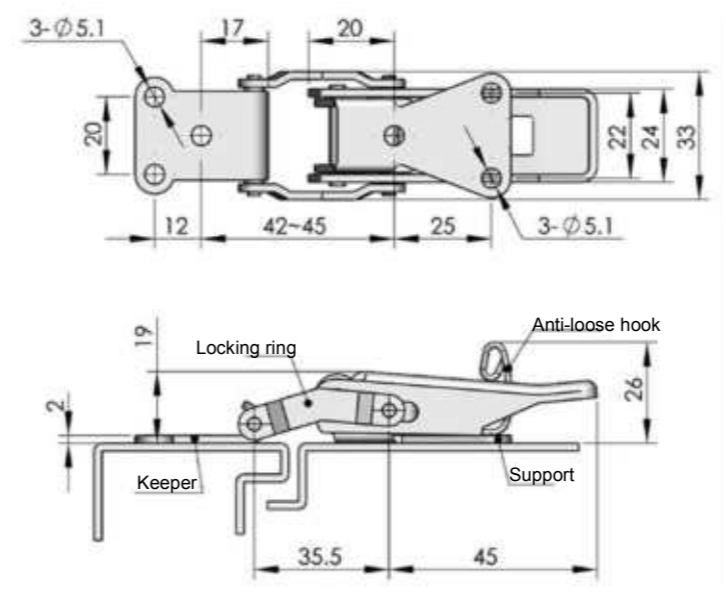
Accessories
 Handle lock
 Cylinder lock
 Electronic lock
 Swing handle
 Rod control lock
 Panel lock
Toggle and hook
 Handles
 Door stop
 Hinge
 Seal gasket



DK603
Main material and finish: Zinc-plated steel body, rubber handle



ERP DK603F3D000001



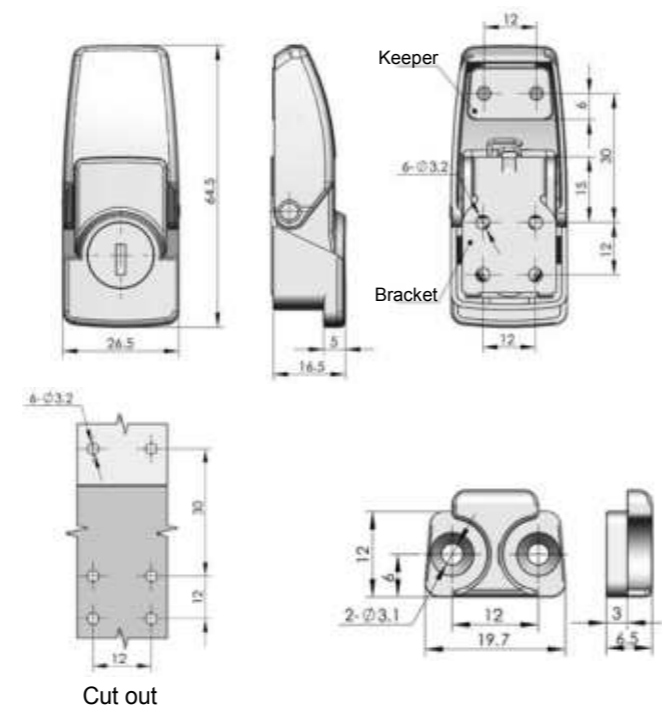
ERP DK605S4A000001



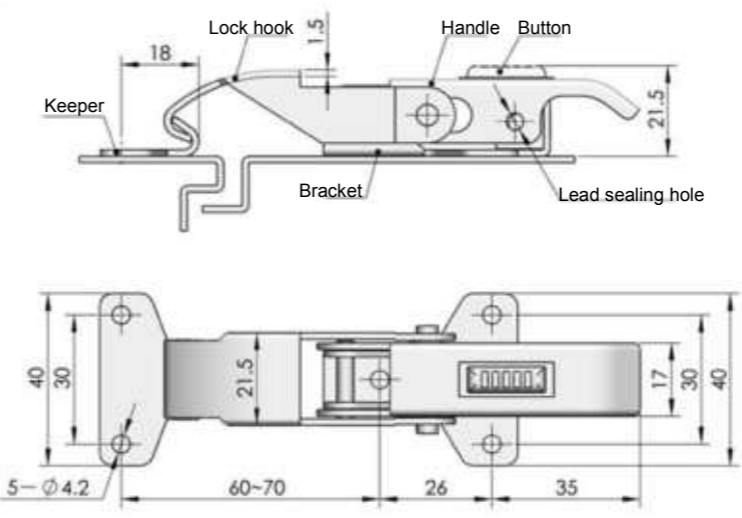
DK605
Main material and finish: Mirror polished stainless steel



DK604
Main material and finish: ZDC housing and keeper, stainless steel bracket
Remarks: Key K080 for selection



Specification	ERP	
	Black powder coated	Bright chrome-plated
With profile cylinder	DK604Z1A080001	DK604Z3A080001
Without profile cylinder	DK604Z1A000001	DK604Z3A000001



ERP DK606F3D000001



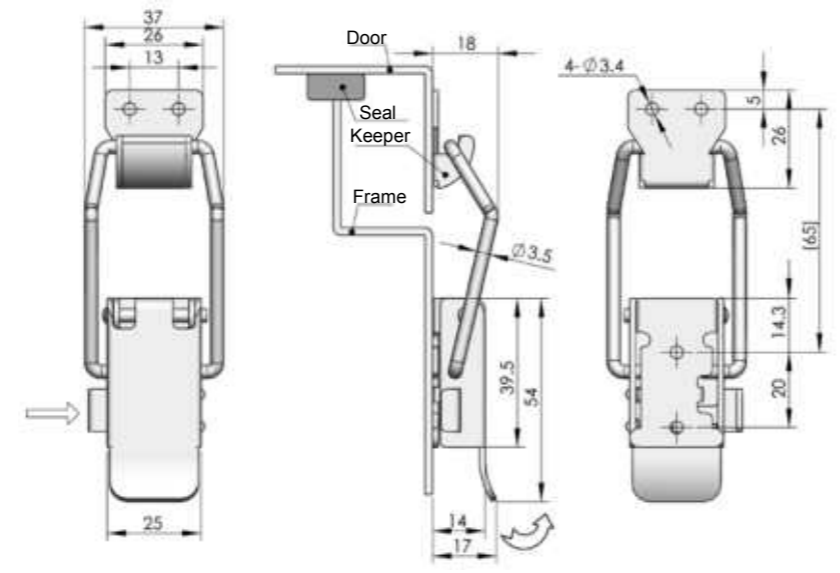
DK606
Main material and finish: Zinc-plated steel

Accessories
 Handle lock
 Cylinder lock
 Electronic lock
 Swing handle
 Rod control lock
 Panel lock
Toggle and hook
 Handles
 Door stop
 Hinge
 Seal gasket

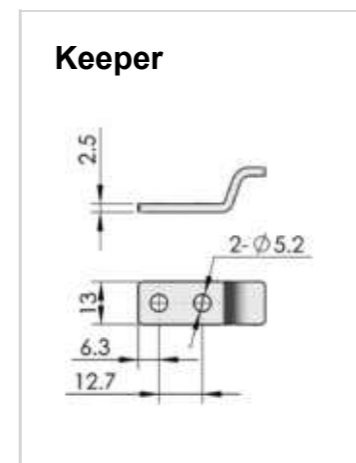
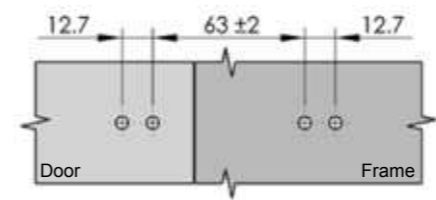
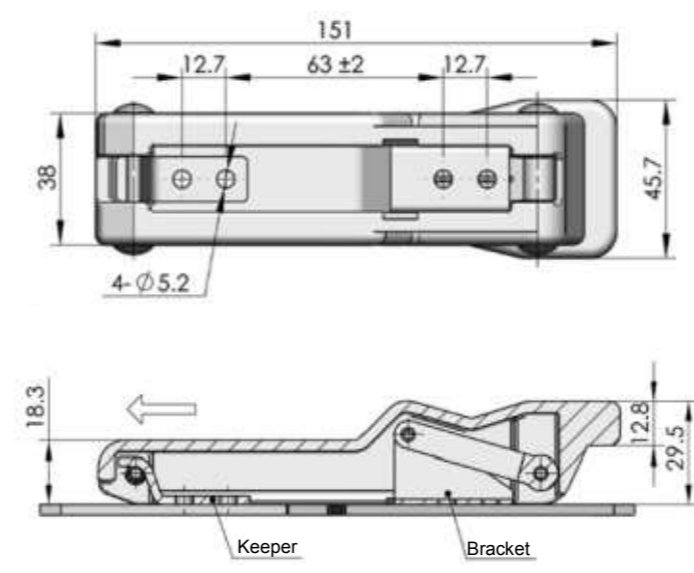
Accessories
Handle lock
Cylinder lock
Electronic lock
Swing handle
Rod control lock
Panel lock
Toggle and hook
Handles
Door stop
Hinge
Seal gasket



DK607-1
Main material and finish: Polished stainless steel



ERP DK607S4C000001



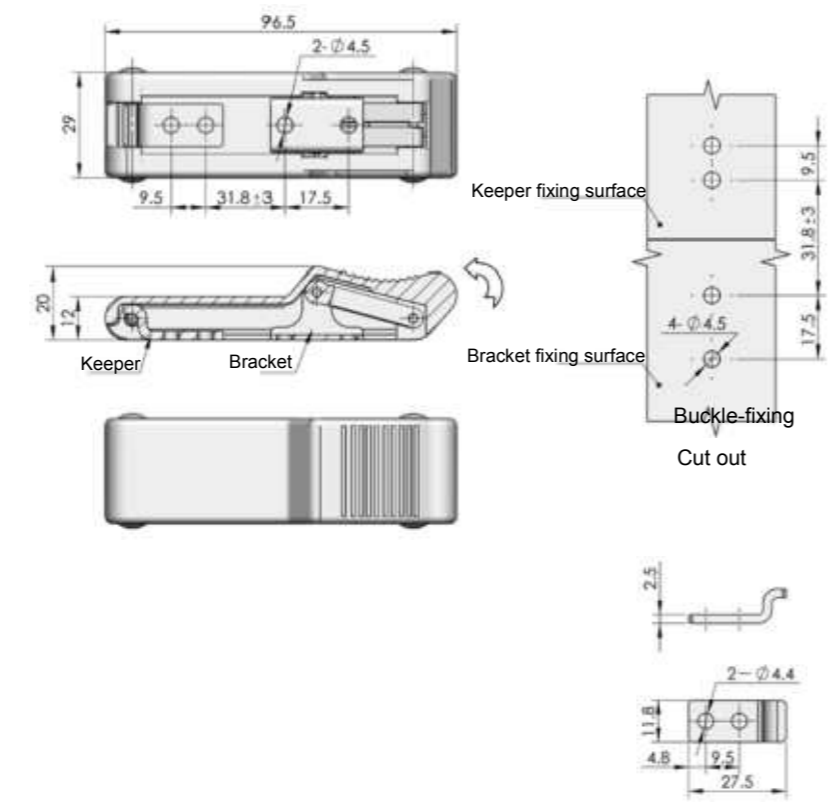
ERP DK609N00000006



DK609-2
Main material and finish: Black rubber handle, stainless steel keeper and bracket



DK609
Main material and finish: Black rubber handle, stainless steel keeper and bracket



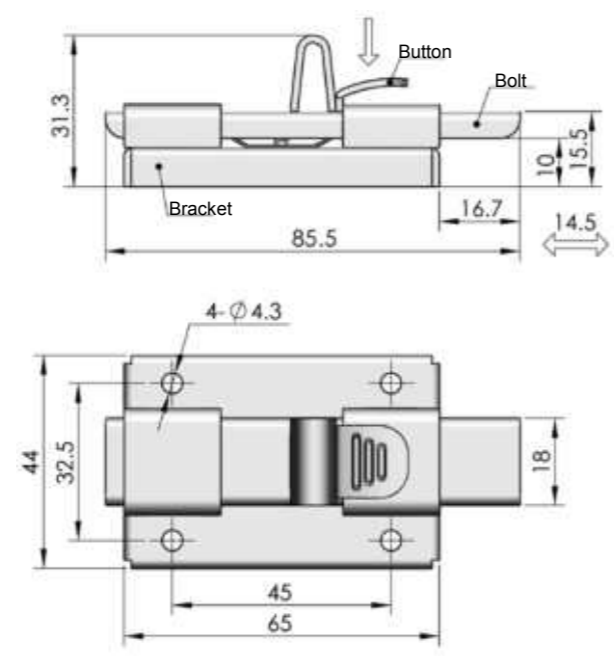
ERP DK609N00000001

Accessories
Handle lock
Cylinder lock
Electronic lock
Swing handle
Rod control lock
Panel lock
Toggle and hook
Handles
Door stop
Hinge
Seal gasket

Accessories
Handle lock
Cylinder lock
Electronic lock
Swing handle
Rod control lock
Panel lock
Toggle and hook
Handles
Door stop
Hinge
Seal gasket



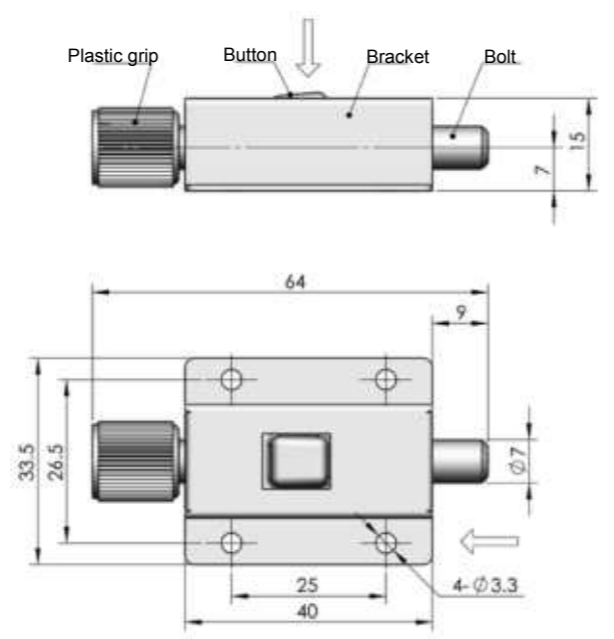
DK610
Main material and finish: Electrolytic stainless steel



ERP DK610S0000001



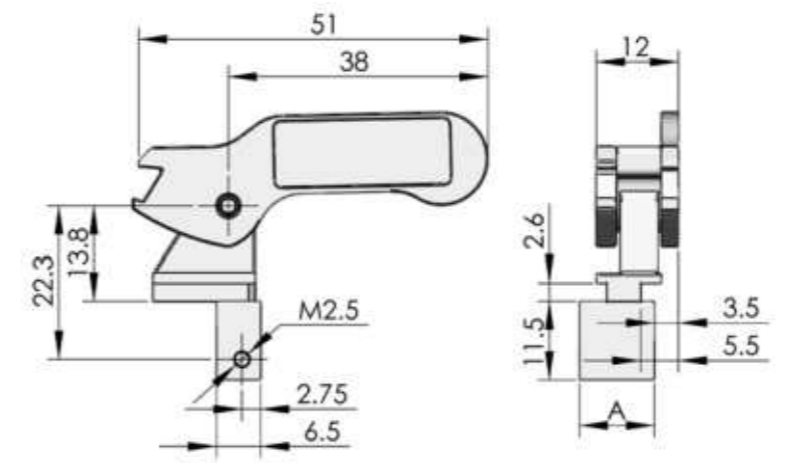
DK611
Main material and finish: Stainless steel bracket and button, chrome plated steel bolt with plastic grip



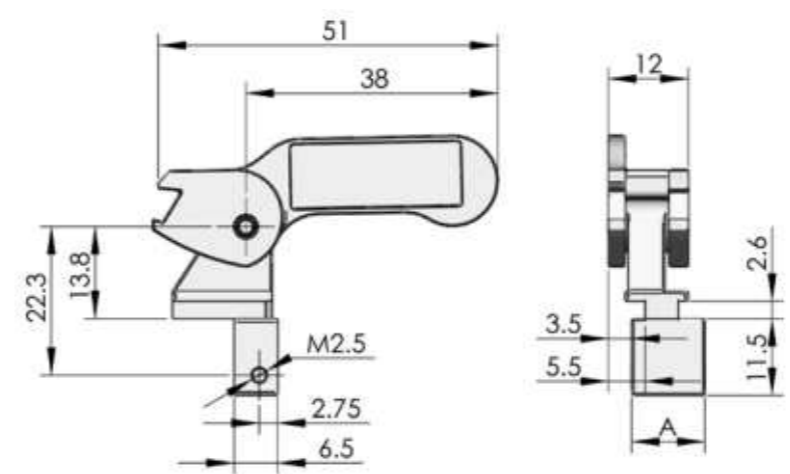
ERP DK611S0000001



DK612
Main material and finish: Nickel plated ZDC



Left toggle



Right toggle

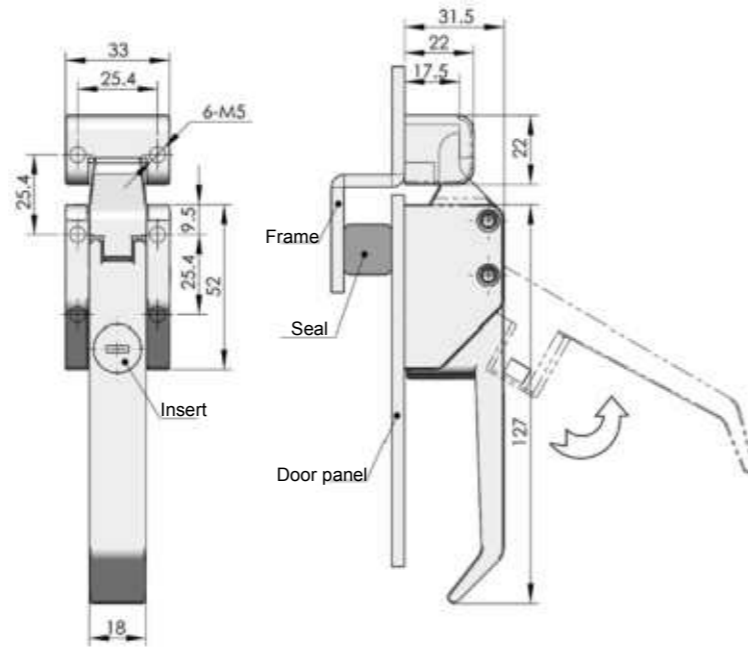
Specification	ERP		
	A=11	A=13.5	A=16
Left toggle	DK612Z3G000001	DK612Z3G000003	DK612Z3G000005
Right toggle	DK612Z3G000002	DK612Z3G000004	DK612Z3G000006

Accessories
Handle lock
Cylinder lock
Electronic lock
Swing handle
Rod control lock
Panel lock
Toggle and hook
Handles
Door stop
Hinge
Seal gasket

DK615



Main material and finish: Matte Black powder coated ZDC housing, handle and keeper, stainless steel pins
Remarks: Default Key K030

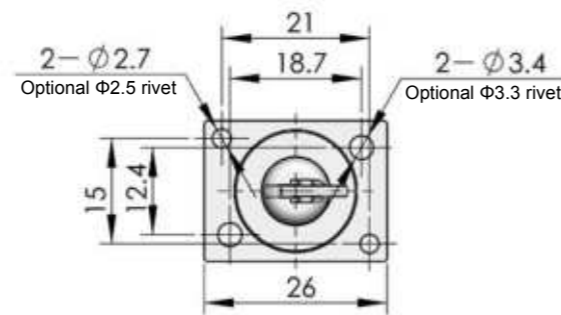
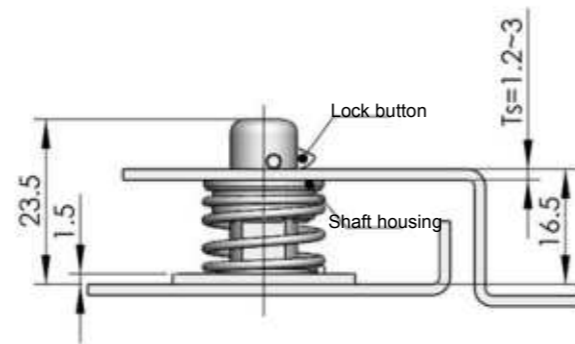


ERP	Without insert	With insert
ERP	DK615Z1A000001	DK615Z1A030001

DK616

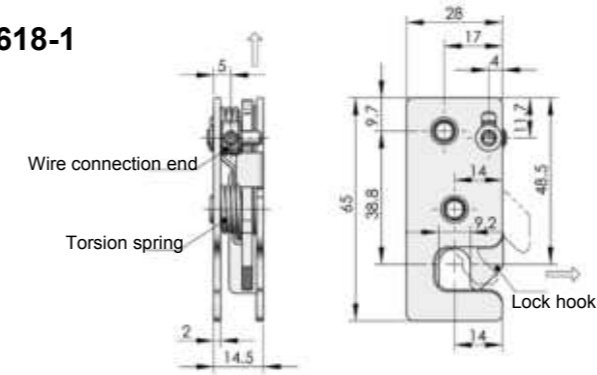


Main material and finish: White zinc plated ZDC housing, stainless steel lock button and spring, plastic seal



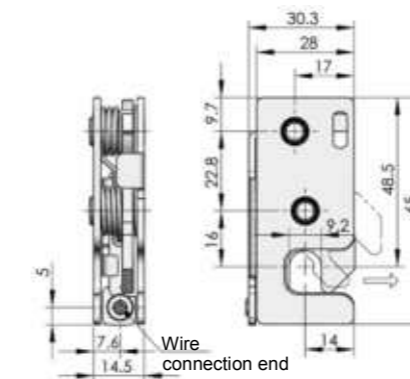
ERP	DK616Z3D000001
-----	----------------

DK618-1



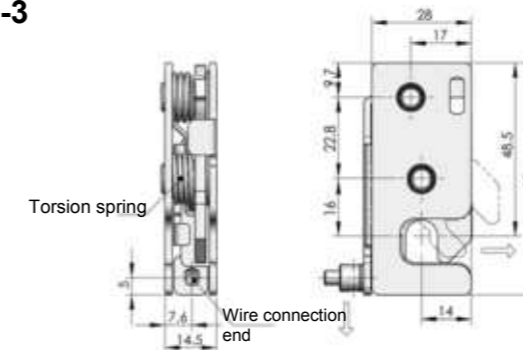
ERP	DK618F3D000001
-----	----------------

DK618-2



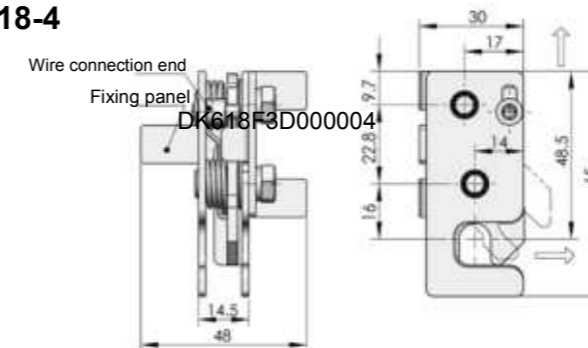
ERP	DK618F3D000002
-----	----------------

DK618-3



ERP	DK618F3D000003
-----	----------------

DK618-4



ERP	DK618F3D000004
-----	----------------

DK618

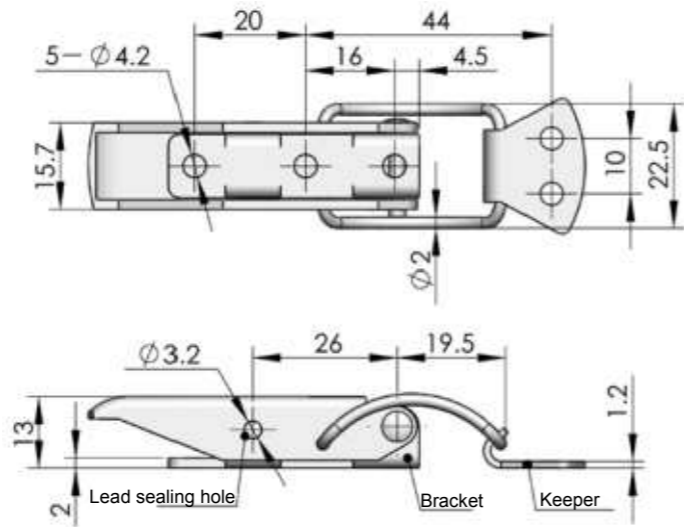


Main material and finish: Zinc plated steel

DK617



Main material and finish: Lapped finished stainless steel

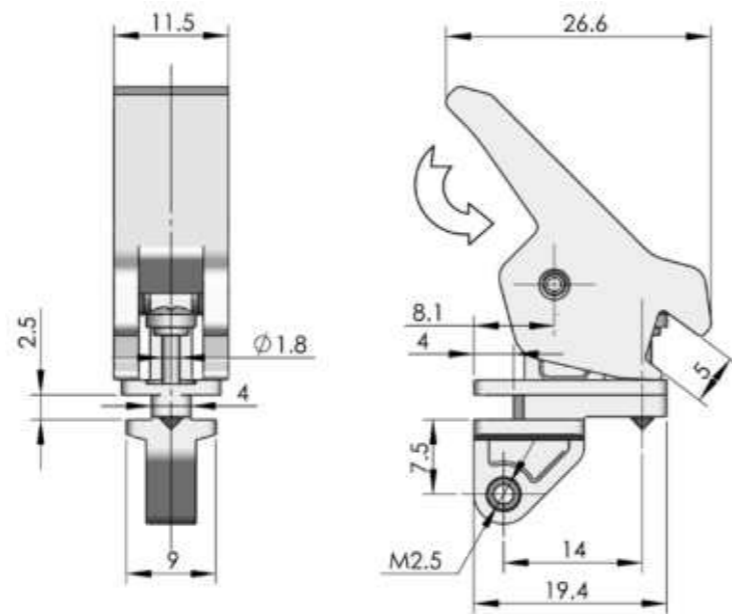


ERP DK617S0000001

DK623

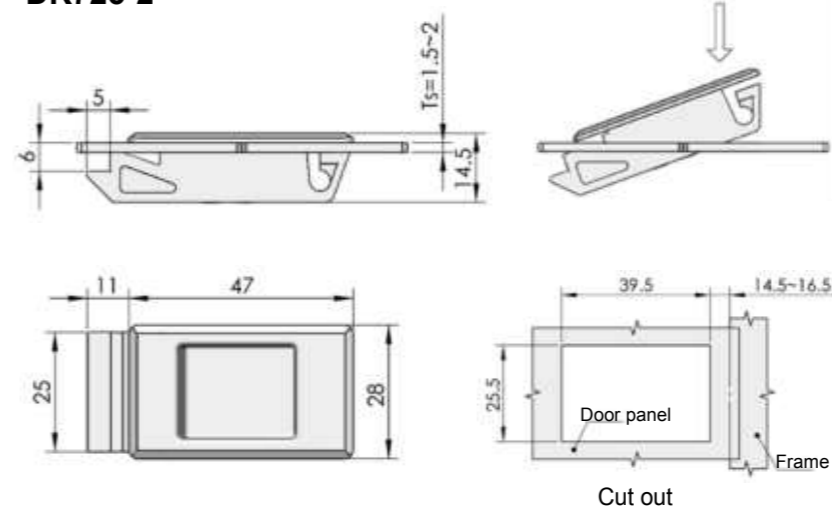


Main material: PBT toggle, stainless steel screw

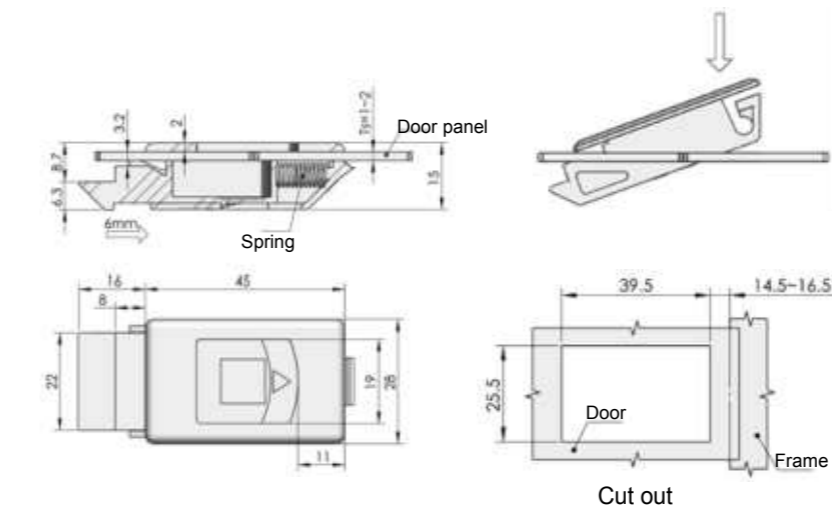


ERP DK623N0000001

DK725-1 DK725-2



DK725-3B



DK725-3C



Specification	ERP			
	DK725-1 (T=1.5)	DK725-2 (T=2)	DK725-3B (T=1~2)	DK725-3C (T=1~2)
Silver ABS	DK725N00000001	DK725N00000003	DK725N00000005	
Black ABS	DK725N00000002	DK725N00000004	DK725N00000006	DK725N00000007

DK725



Main material: ABS toggle or PA toggle

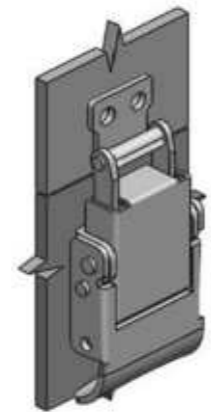
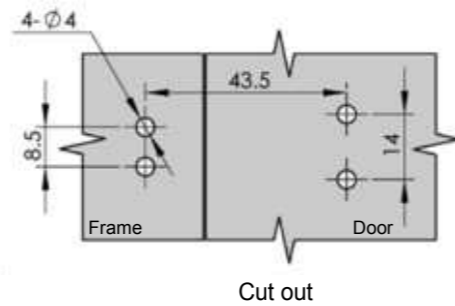
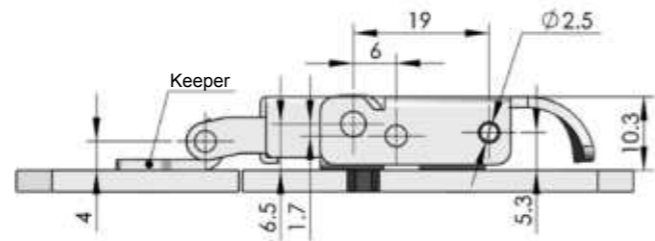
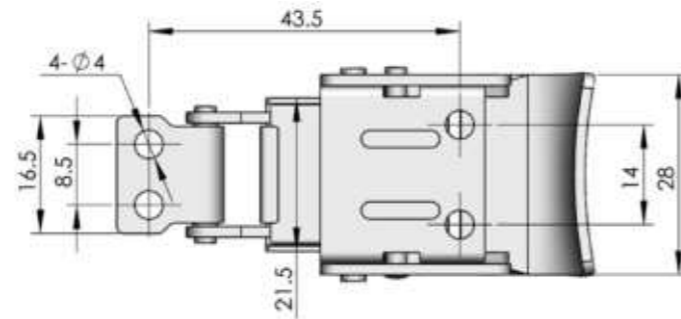
HANDLES SERIES

- Accessories
- Handle lock
- Cylinder lock
- Electronic lock
- Swing handle
- Rod control lock
- Panel lock
- Toggle and hook**
- Handles
- Door stop
- Hinge
- Seal gasket

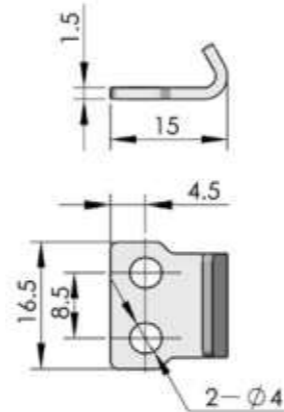
DK624



Main material and finish: Electrolytic stainless steel



Keeper



ERP

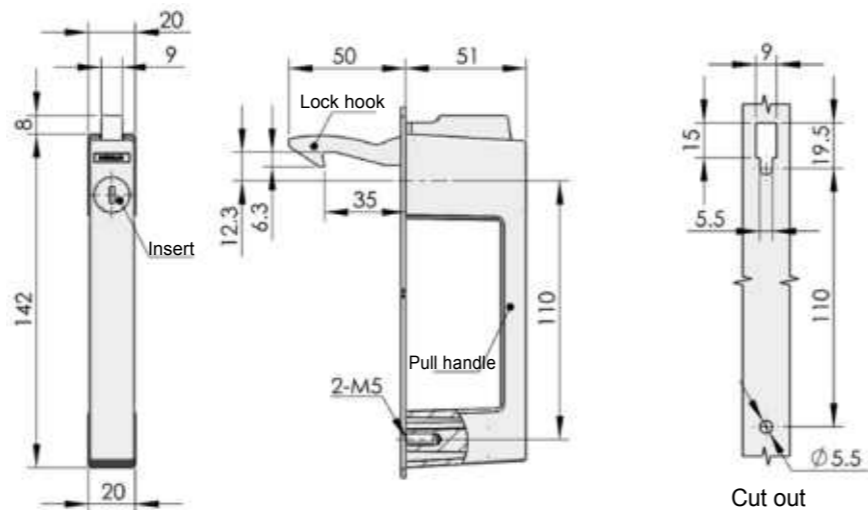
DK624S4C000001

LS501 P227	LS502 P227	LS503 P228	LS504-1 P228	LS504-2 P229
LS504-3 P229	LS505 P230	LS506 P231	LS507 P230	LS508 P232
LS509 P233	LS510 P234	LS511 P235	LS513 P236	LS515 P234
LS514-1 P237	LS514-2 P237	LS514-3-4-5 P237	LS516 P238	LS516-2A P238
LS520 P240	LS521 P240	LS522 P241	LS523 P242	LS527 P242

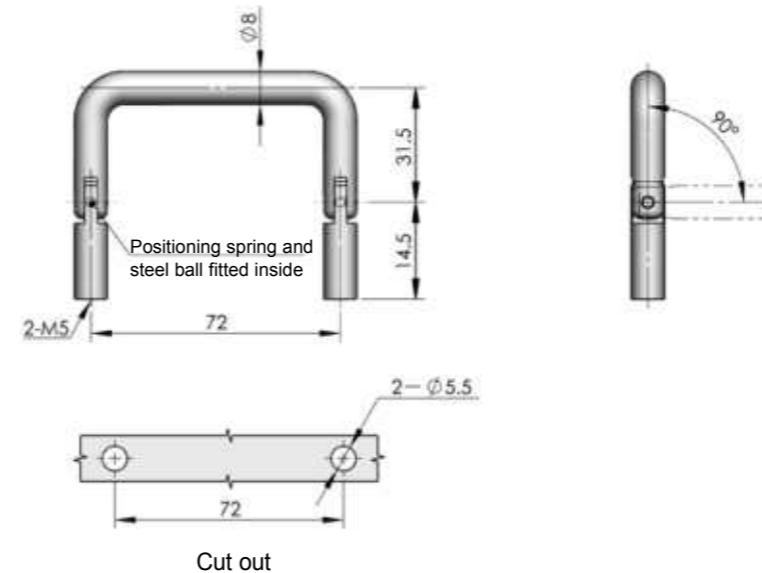
LS501



Main material and finish: Nanometer painted ZDC pull handle, lock hook and stainless steel spring



	With insert	Without insert
ERP	LS501Z2B110001	LS501Z2B110002



	Stainless steel	Bright chrome-plated steel
ERP	LS503S4A072001	LS503F3A072001

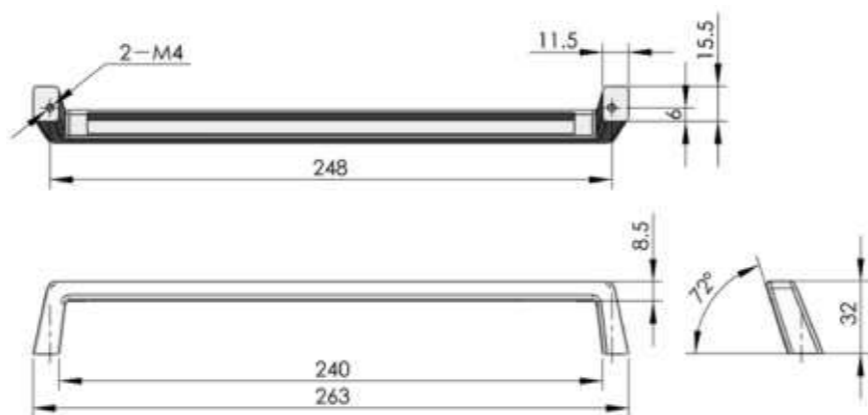
LS503



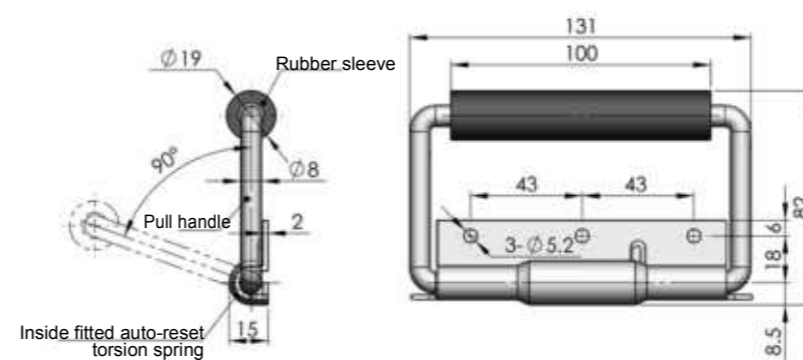
LS502



Main material and finish: Nanometer painted ZDC pull handle



ERP	LS502Z2B248001
-----	----------------



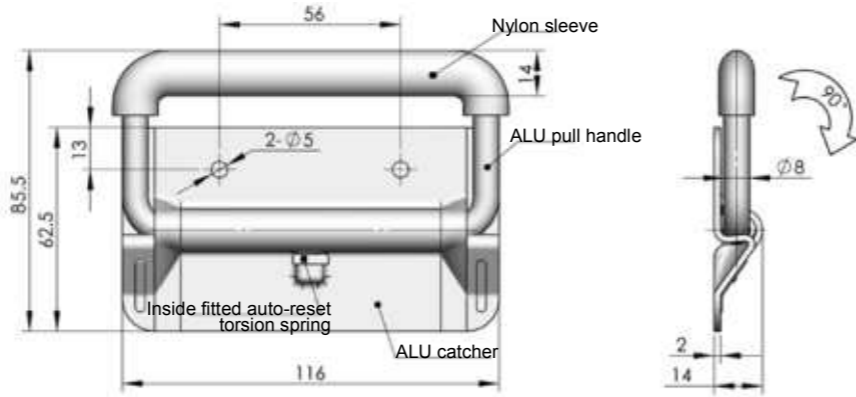
	Stainless steel	Steel (Bright chrome)
ERP	LS504S0000001	LS504F3A000001

LS504-1

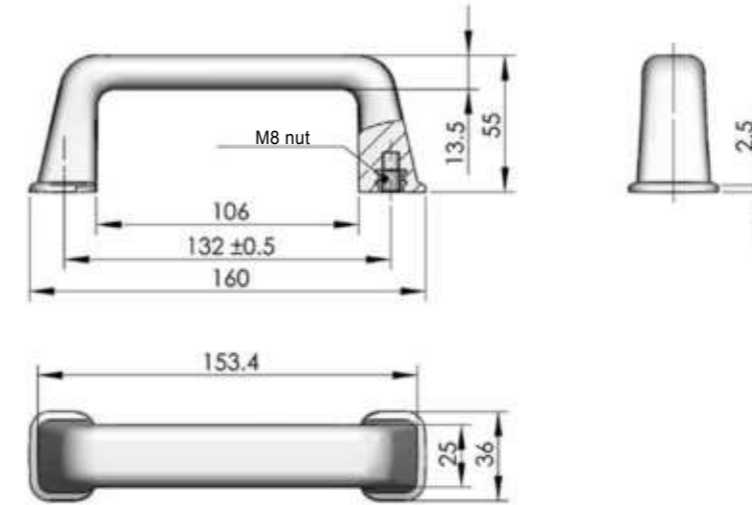


LS504-2

Main material and finish: Aluminium oxide-containing alloy catcher and pull handle, nylon sleeve



ERP LS504A9A000001



ERP LS505N00132001

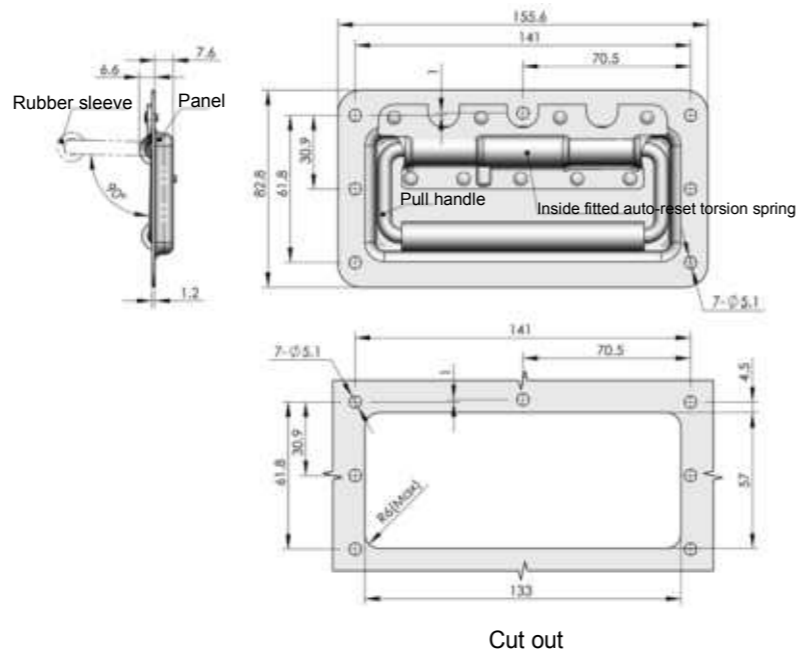
LS505

Main material: Black PP

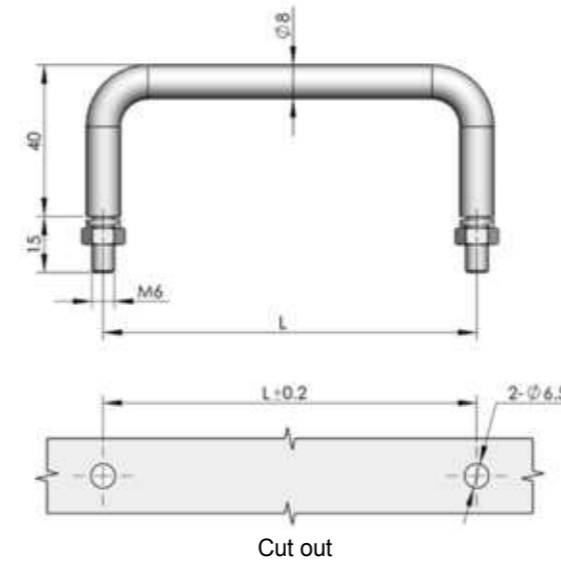


LS504-3

Main material and finish: Steel recessed panel and pull handle, rubber sleeve, stainless steel spring



	Matt black powder coated	Black painted	Zinc plated
ERP	LS504F1A000001	LS504F2A000001	LS504F3D000001



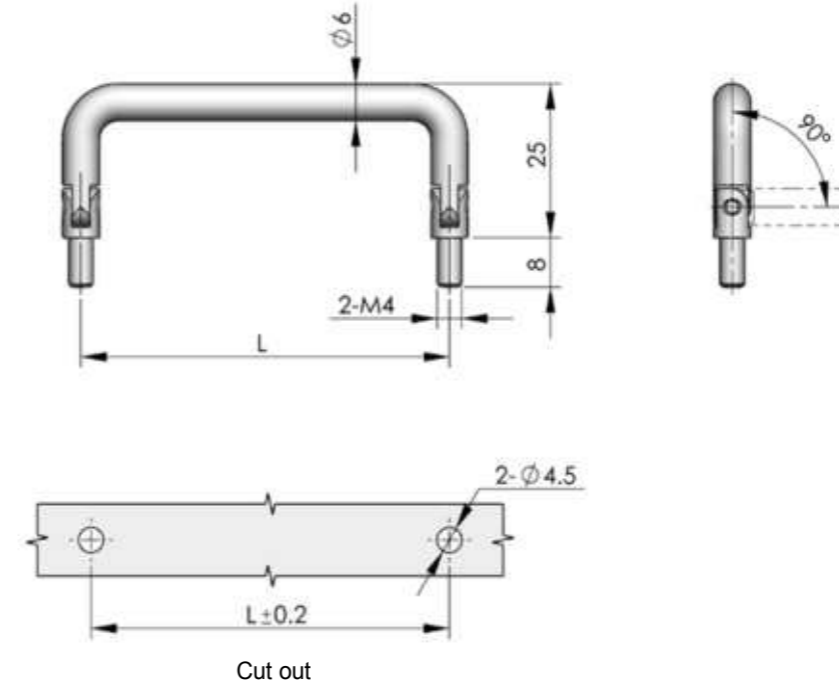
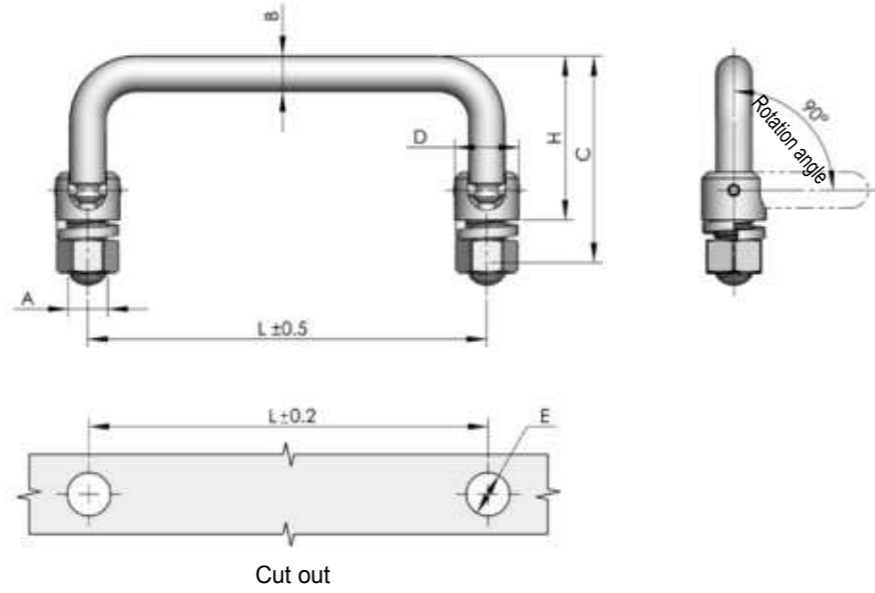
Specification	ERP	
	Bright chrome-plated steel	Stainless steel
L=68	LS507F3A068001	LS507S4A068001
L=75	LS507F3A075001	LS507S4A075001
L=100	LS507F3A100001	LS507S4A100001
L=150	LS507F3A150001	LS507S4A150001

LS507

Main material and finish: Bright chrome plated stainless steel or steel



LS506



LS508



Main material: Stainless steel or steel

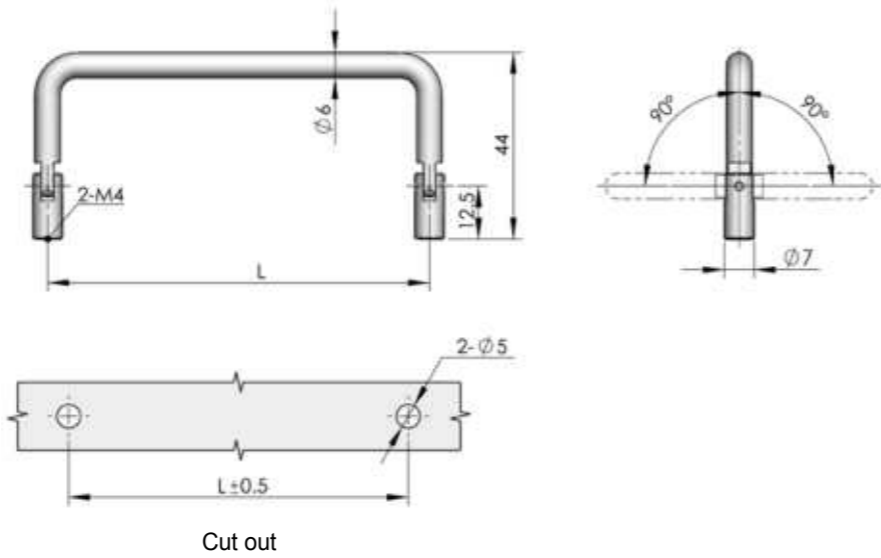
Specification	ERP			
	A=M10 B=φ9 C=57.5 D=φ16 H=41.5 E=φ11 Ts=1~2		A=M6 B=φ6 C=45 D=φ11 H=32 E=φ7 Ts=1~5	
	Stainless steel	Bright chrome-plated steel	Stainless steel	Bright chrome-plated steel
L=55				
L=60			LS506S4A055001	LS506F3A055001
L=70			LS506S4A060001	LS506F3A060001
L=84			LS506S4A070001	LS506F3A070001
L=90			LS506S4A084001	LS506F3A084001
L=100	LS506S4A090001	LS506F3A090001	LS506S4A090002	LS506F3A090002
L=102	LS506S4A100001	LS506F3A100001		
L=119			LS506S4A102001	LS506F3A102001
L=122	LS506S4A119001	LS506F3A119001		
L=135			LS506S4A122001	LS506F3A122001
L=149	LS506S4A135001	LS506F3A135001		
L=155	LS506S4A149001	LS506F3A149001		
L=160	LS506S4A155001	LS506F3A155001		
	LS506S4A160001	LS506F3A160001		

Specification	ERP	
	Bright chrome-plated steel	Stainless steel
L=55		
L=60	LS508F3A055001	LS508S4A055001
L=70	LS508F3A060001	LS508S4A060001
L=74	LS508F3A070001	LS508S4A070001
L=84	LS508F3A074001	LS508S4A074001
L=90	LS508F3A084001	LS508S4A084001
L=102	LS508F3A090001	LS508S4A090001
L=122	LS508F3A102001	LS508S4A102001
L=138	LS508F3A122001	LS508S4A122001
	LS508F3A138001	LS508S4A138001

LS509



Main material and finish: Polished or bright chrome-plated stainless steel or steel

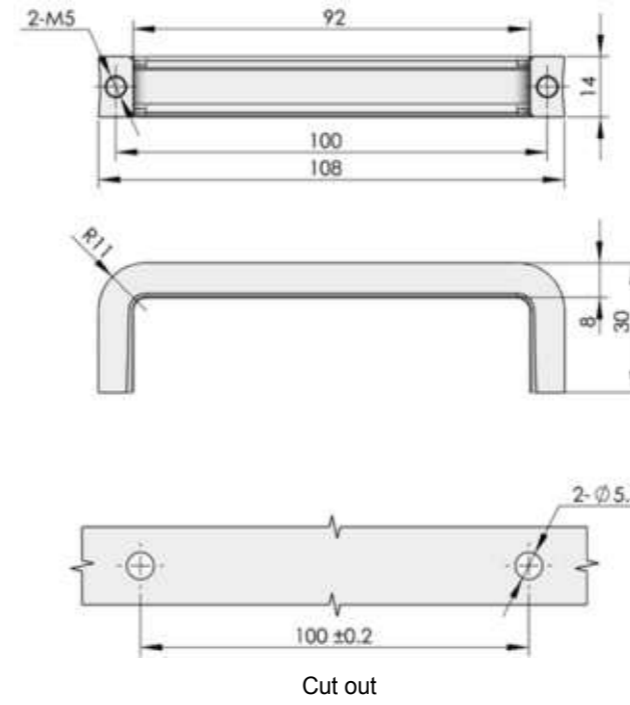


Specification	ERP	
	Bright chrome-plated steel	Stainless steel
L=55	LS509F3A055001	LS509S4A055001
L=60	LS509F3A060001	LS509S4A060001
L=70	LS509F3A070001	LS509S4A070001
L=74	LS509F3A074001	LS509S4A074001
L=84	LS509F3A084001	LS509S4A084001
L=90	LS509F3A090001	LS509S4A090001
L=102	LS509F3A102001	LS509S4A102001
L=122	LS509F3A122001	LS509S4A122001
L=138	LS509F3A138001	LS509S4A138001

LS510



Main material: ZDC

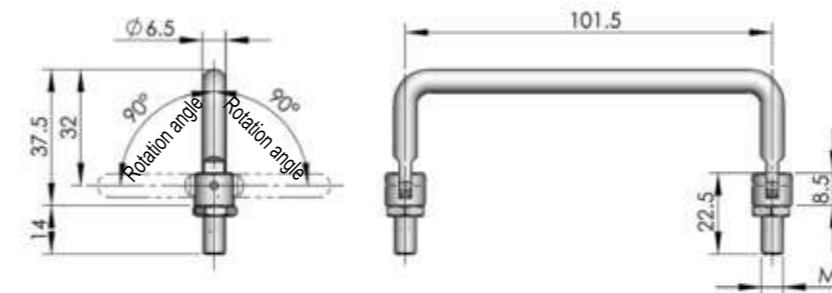


	Bright chrome-plated steel	Nanometer painted
ERP	LS510Z3A100001	LS510Z2B100001

LS515

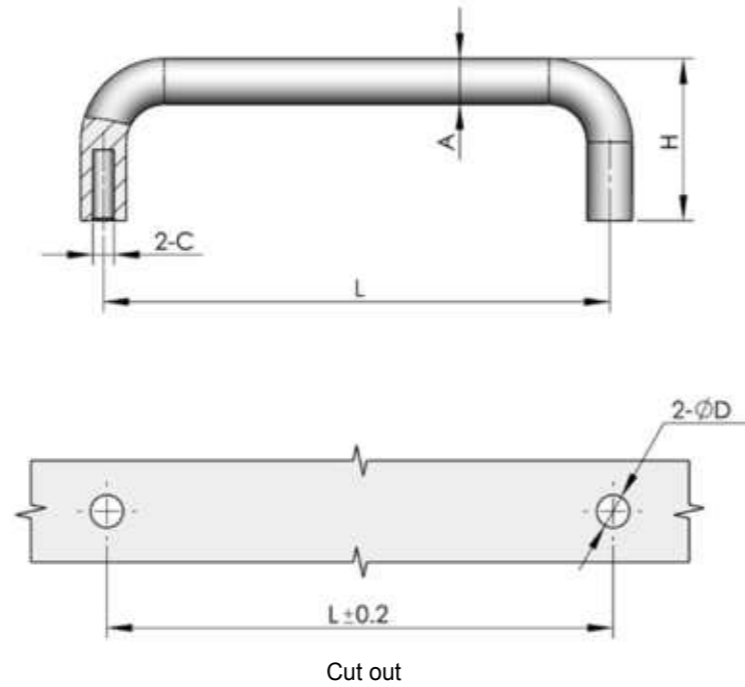


Main material and finish: Black powder coated steel



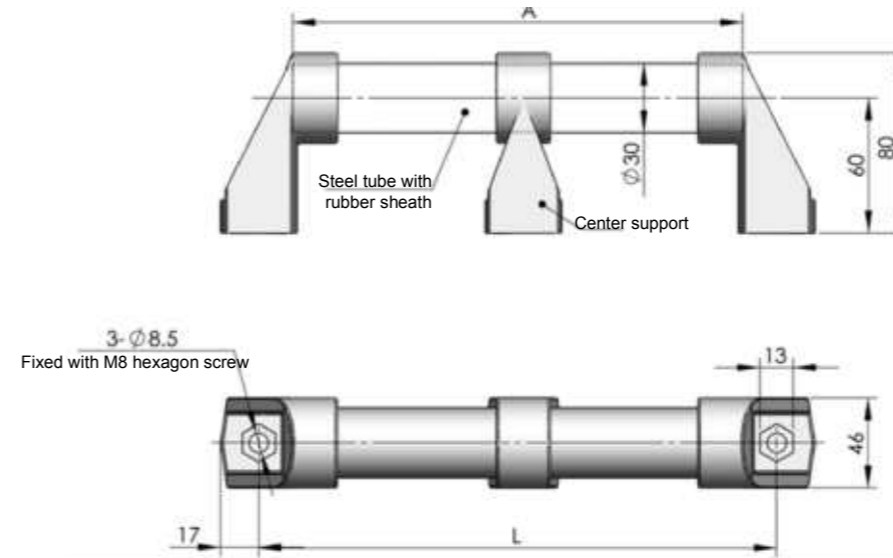
ERP	LS515F1A102001
-----	----------------

LS511



ERP			Specification				
Bright chrome-plated steel	Stainless steel (mirror polished)	Bright chrome-plated ZDC	L	A	H	C	D
LS511F3A055001	LS511S4A055001		55	6	26	M4	∅4.5
LS511F3A060001	LS511S4A060001		60	6	26	M4	∅4.5
LS511F3A070001	LS511S4A070001		70	6	32	M4	∅4.5
LS511F3A082001	LS511S4A082001		82	6	26	M4	∅4.5
LS511F3A090001	LS511S4A090001		90	6	32	M4	∅4.5
LS511F3A102001	LS511S4A102001		102	6	32	M4	∅4.5
LS511F3A122001	LS511S4A122001		122	6	32	M4	∅4.5
LS511F3A138001	LS511S4A138001		138	6	32	M4	∅4.5
LS511F3A075001	LS511S4A075001		75	8	40	M5	∅6
LS511F3A100001	LS511S4A100001		100	8	32	M5	∅6
LS511F3A150001	LS511S4A150001		150	8	40	M5	∅6
LS511F3A090002	LS511S4A090002		90	9	32	M5	∅6
LS511F3A100002	LS511S4A100002		100	9	32	M5	∅6
LS511F3A119001	LS511S4A119001		119	9	40	M5	∅6
LS511F3A135001	LS511S4A135001		135	9	32	M5	∅6
LS511F3A149001	LS511S4A149001		149	9	40	M5	∅6
LS511F3A155001	LS511S4A155001		155	9	32	M5	∅6
LS511F3A160001	LS511S4A160001		160	9	40	M5	∅6
		LS511Z3A101001	101	9	29	M5	∅6
		LS511Z3A120001	120	10	37	M6	∅7
		LS511Z3A180001	180	12	45	M5	∅7

LS513



Main material and finish: Rubber sheath, steel tube, black PA end pieces and center support

ERP	Specification	
	L	A
LS513N00300001	300	266
LS513N00400001	400	366
LS513N00500001	500	466
LS513N00600001	600	566
LS513N00700001	700	666
LS513N00800001	800	766
LS513N00900001	900	866
LS513N00000A01	1000	966
LS513N00000B01	2000	1966

LS514-1



Main material and finish: Bright chrome plated ZDC

LS514-2



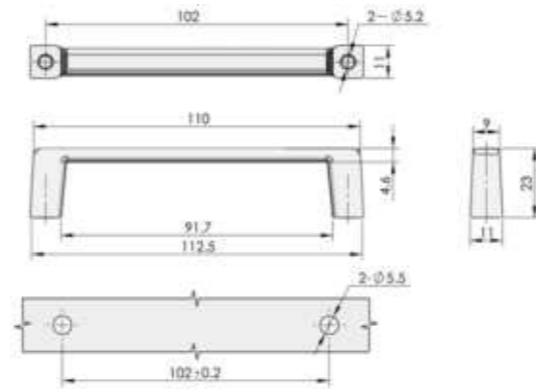
Main material and finish: Nanometer painted ZDC

LS514-3-4-5



Main material and finish: Nanometer painted aluminium alloy

LS514-1



Cut out

ERP

LS514Z3A102001

LS514-2

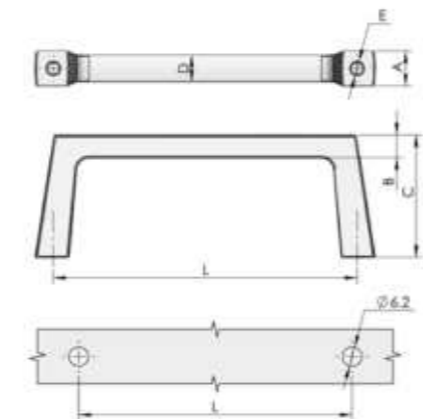


Cut out

ERP

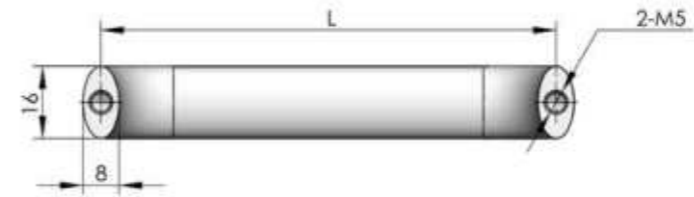
LS514Z2B104001

LS514-3-4-5

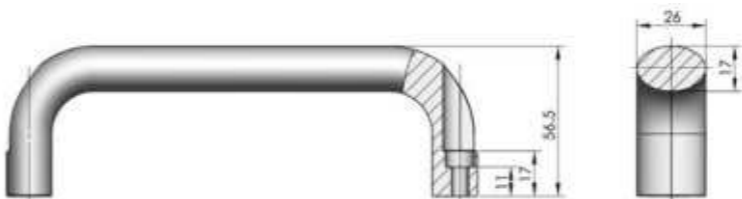


Cut out

ERP	Specification					
	A	B	C	D	L	E
LS514A2B100001	10.5	7	32	8	100	2-M6
LS514A2B125001	14.5	9.5	50	11	125	2-M6
LS514A2B130001	18.5	9.5	40	16	130	2-M6



ERP	Specification
	L
LS516A1A075001	75
LS516A1A100001	100
LS516A1A125001	125
LS516A1A150001	150
LS516A1A175001	175



ERP

LS516A1A164001

LS516



Main material and finish: Matt black powder coated aluminium alloy

LS516-2A



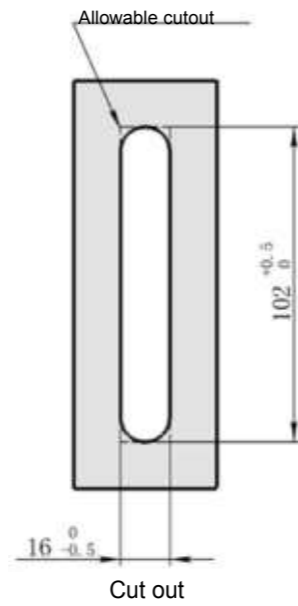
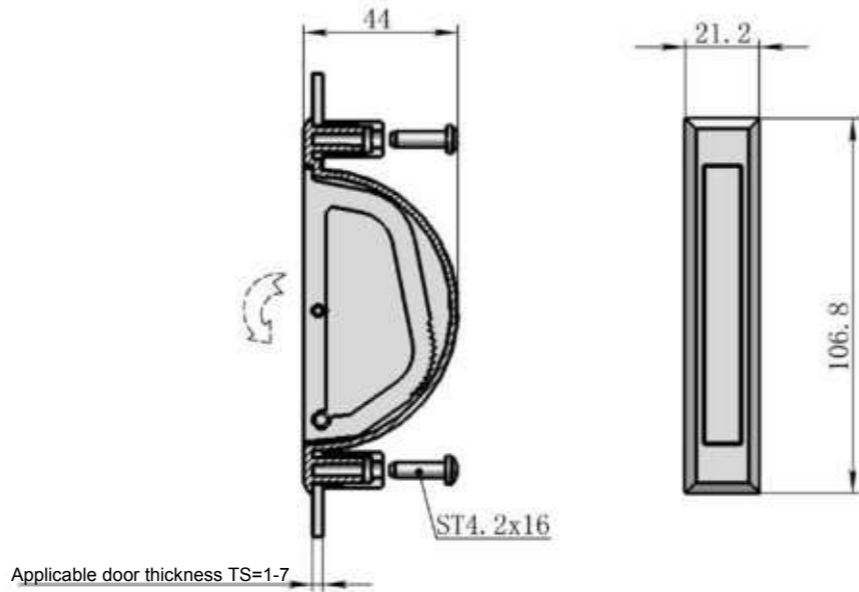
Main material and finish: Black powder coated aluminium alloy

Accessories
Handle lock
Cylinder lock
Electronic lock
Swing handle
Rod control lock
Panel lock
Toggle and hook
Handles
Door stop
Hinge
Seal gasket

LS538



Main material and finish: Black POM housing and support, black powder coated ZDC handle, steel lock screw, shaft and spring
Application: Handle max rotation angle 168 degree

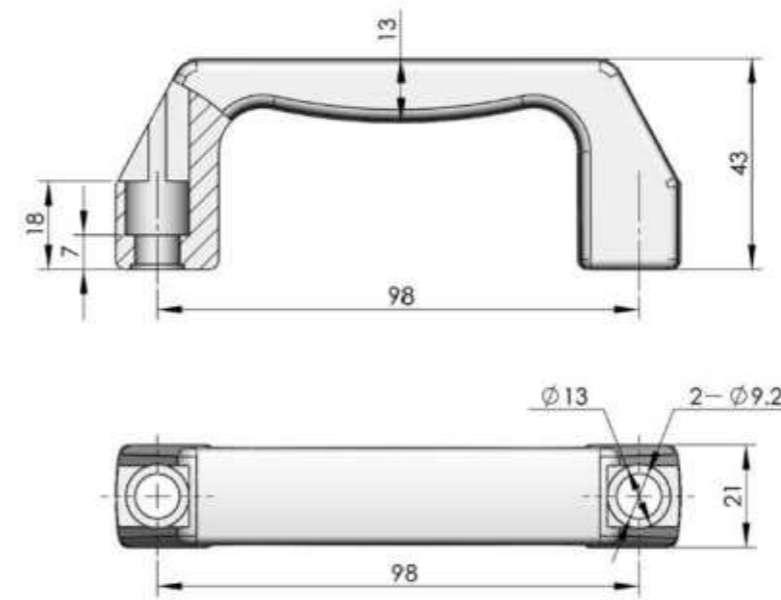


ERP LS538N00000001

LS520



Main material and finish: Black ABS

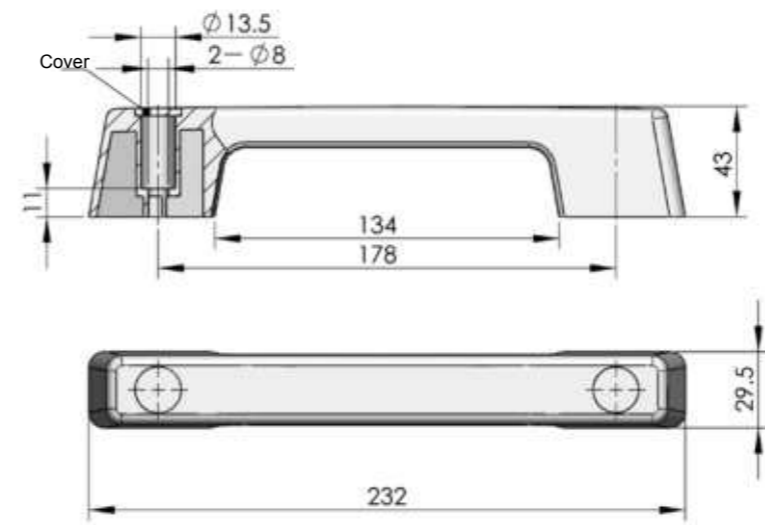


ERP LS520N00098001

LS521



Main material and finish: Black plastic



ERP LS521N00178001

Accessories
Handle lock
Cylinder lock
Electronic lock
Swing handle
Rod control lock
Panel lock
Toggle and hook
Handles
Door stop
Hinge
Seal gasket

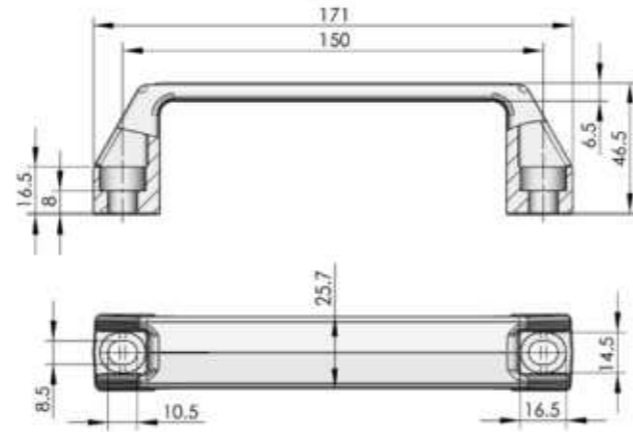
Accessories
Handle lock
Cylinder lock
Electronic lock
Swing handle
Rod control lock
Panel lock
Toggle and hook
Handles
Door stop
Hinge
Seal gasket

LS522



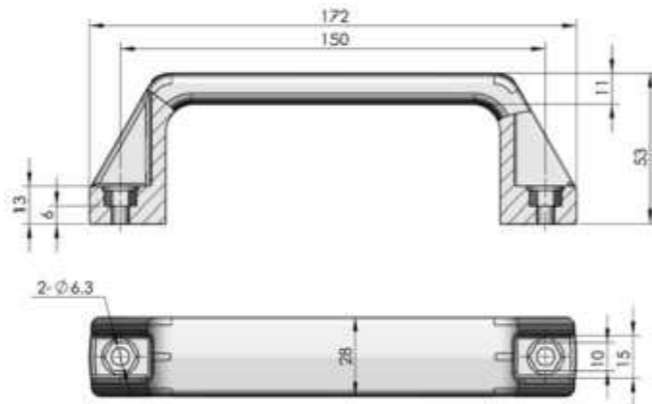
Main material and finish: Black PA

LS522-1



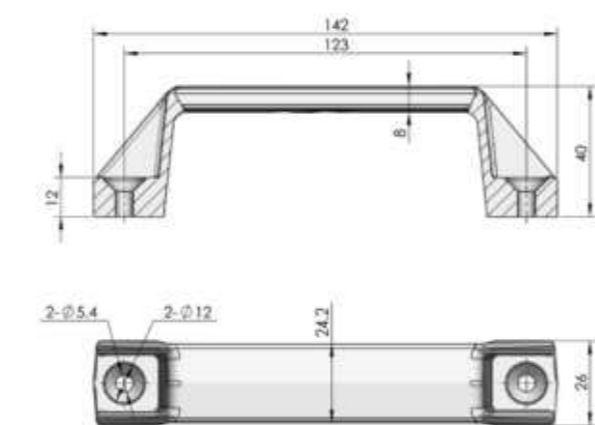
ERP LS522N00150001

LS522-2

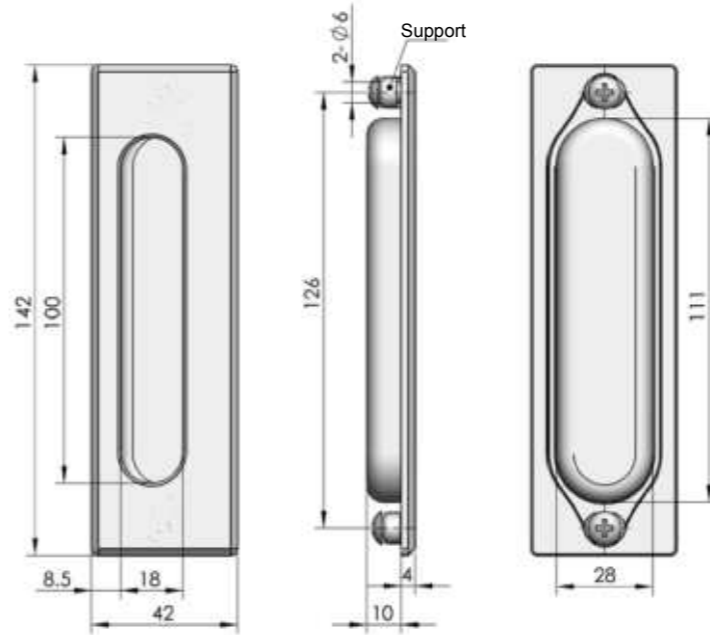


ERP LS522N00150002

LS522-3



ERP LS522N00123001



ERP LS523Z3A126001

LS523

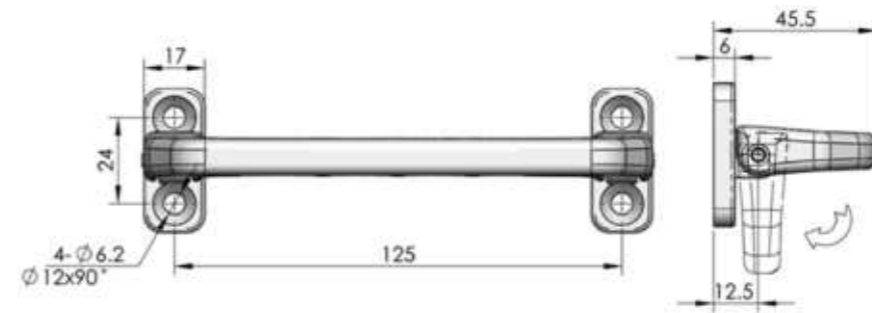


Main material and finish: Bright chrome plated ZDC

LS527



Main material and finish: Yellow-grey powder coated aluminium alloy



ERP LS527N00123001

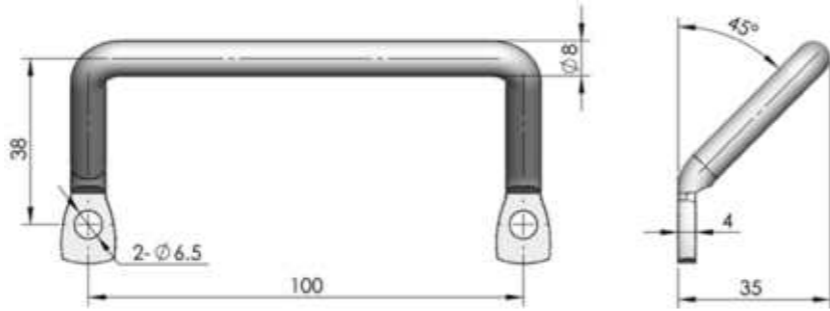
Accessories
Handle lock
Cylinder lock
Electronic lock
Swing handle
Rod control lock
Panel lock
Toggle and hook
Handles
Door stop
Hinge
Seal gasket

Accessories
Handle lock
Cylinder lock
Electronic lock
Swing handle
Rod control lock
Panel lock
Toggle and hook
Handles
Door stop
Hinge
Seal gasket

LS531



Main material and finish: Bright chrome plated steel



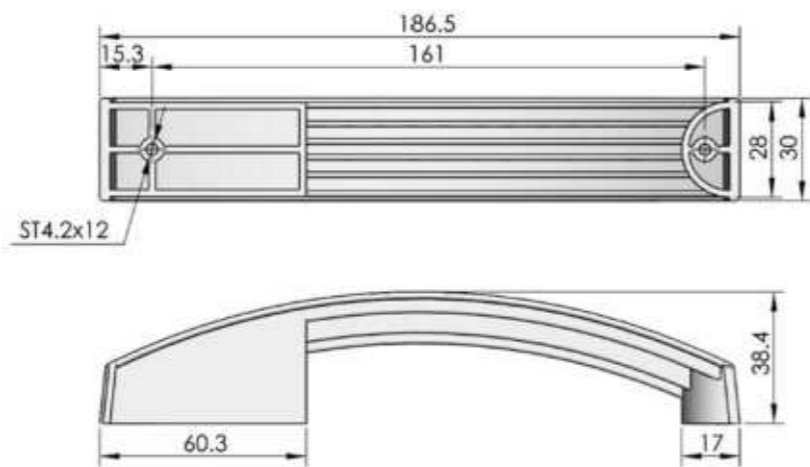
ERP

LS531F3A100001

LS532



Main material: Black PC



ERP

LS532N00000001

DOOR STOP SERIES

TX80 P245	TX90-1 P246	TX90-2 P247
TX90-3 P247	TX91 P248	TX92-1 P249
TX100-A P250	TX100-B P250	TX101-1 TX101-2 P251

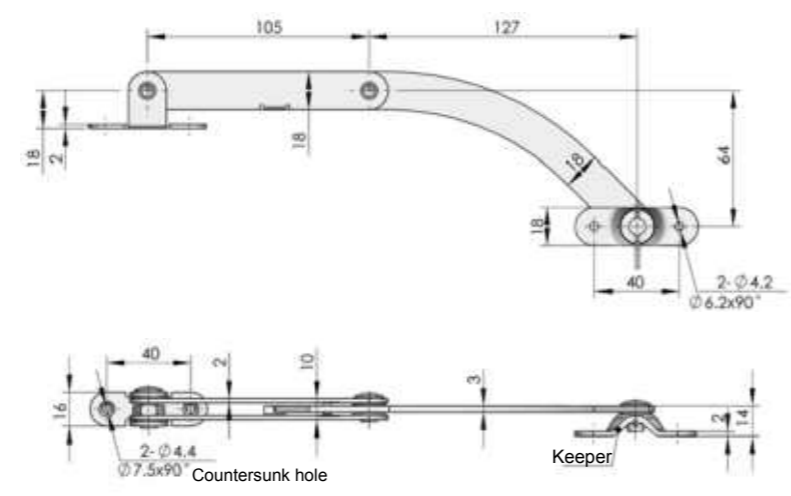
TX80-1



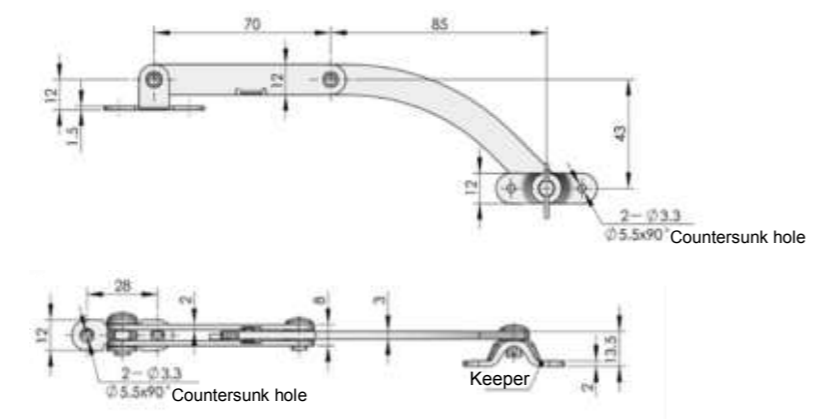
TX80-2



Main material and finish: Bright chrome plated steel body

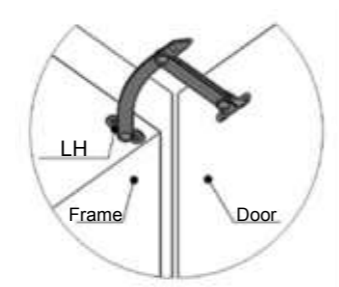


TX80-1 Remarks: change the fitting direction of the keeper to suit RH or LH application



TX80-2 Remarks: change the fitting direction of the keeper to suit RH or LH application

Example of application

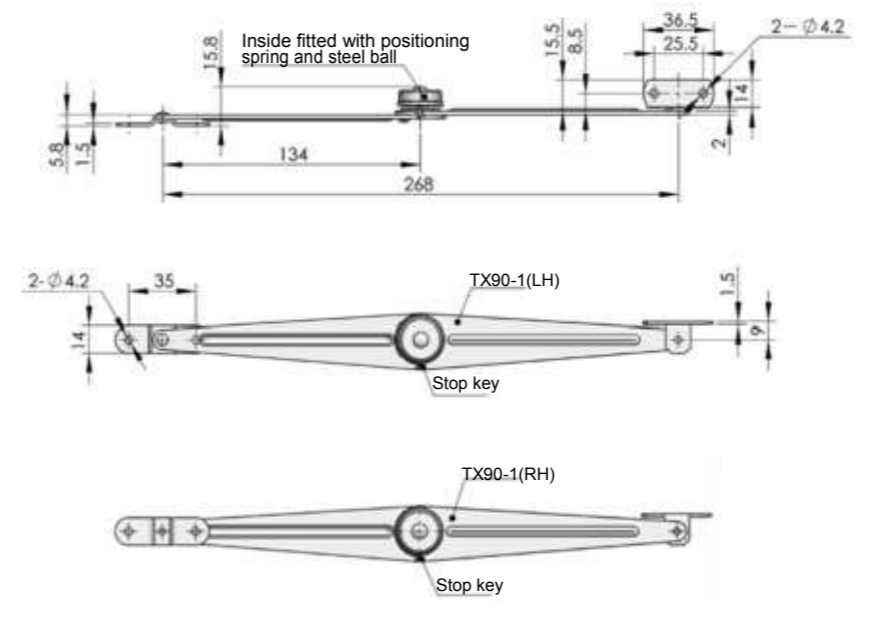


Specification	ERP	
	LH	RH
Steel(Bright chrome plated)	TX080F3A001	TX080F3A002

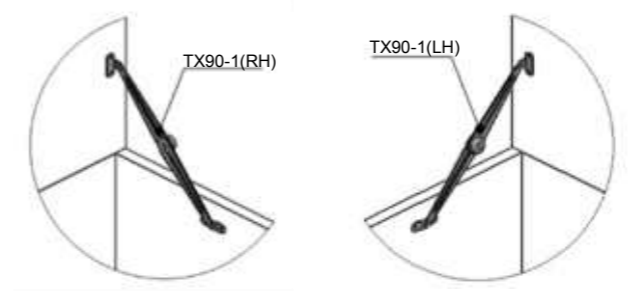
TX90-1



Main material and finish: Bright chrome plated steel



Example of application



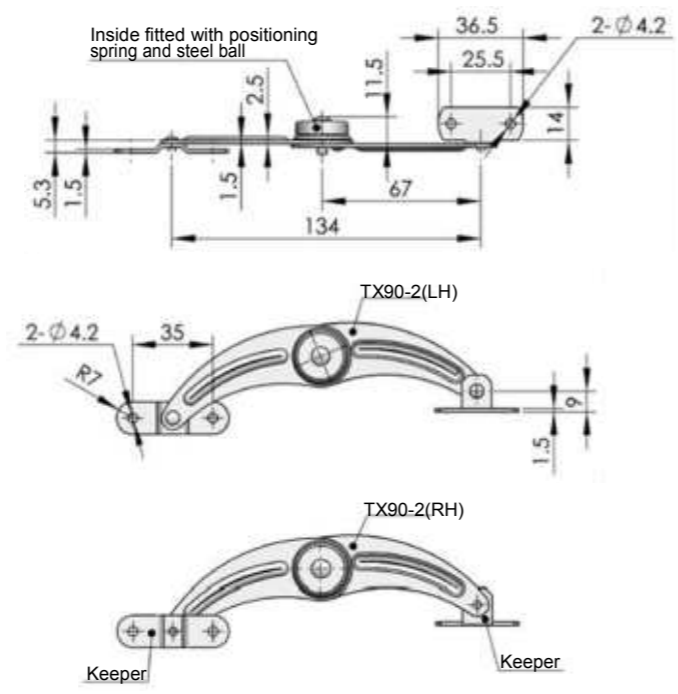
ERP	LH	RH
		TX090F3A001

- Accessories
- Handle lock
- Cylinder lock
- Electronic lock
- Plane lock
- Rod control lock
- Panel lock
- Toggle and hook
- Handles
- Door stop
- Hinge
- Seal gasket

TX90-2



Main material and finish: Bright chrome plated steel

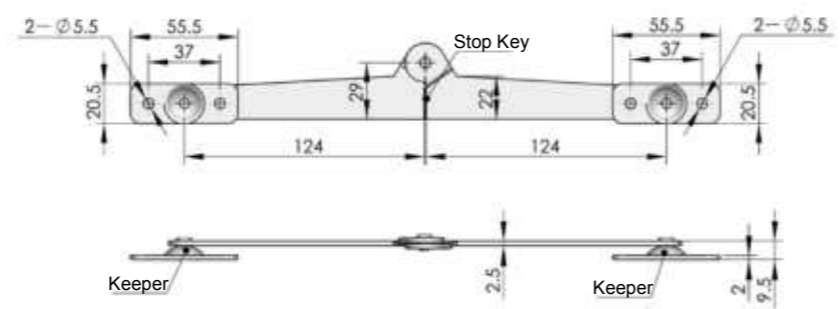


	LH	RH
ERP	TX090F3A008	TX090F3A009

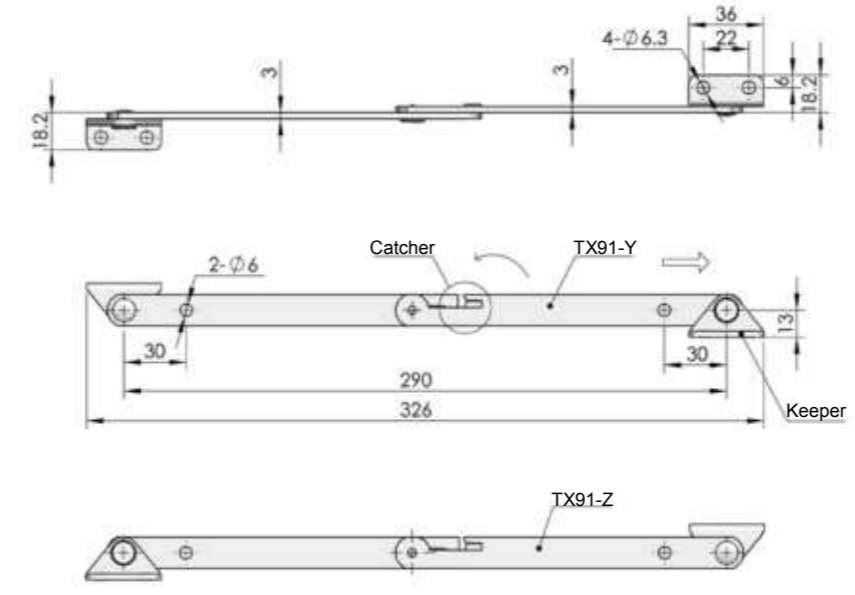
TX90-3



Main material and finish: Nickel plated steel



	LH	RH
ERP	TX090F3A011	TX090F3A015



TX091S00002 TX091S00001

	LH	RH
ERP		

TX91



Main material and finish: Stainless steel

- Accessories
- Handle lock
- Cylinder lock
- Electronic lock
- Plane lock
- Rod control lock
- Panel lock
- Toggle and hook
- Handles
- Door stop
- Hinge
- Seal gasket

Accessories
Handle lock
Cylinder lock
Electronic lock
Plane lock
Rod control lock
Panel lock
Toggle and hook
Handles
Door stop
Hinge
Seal gasket

TX92-1

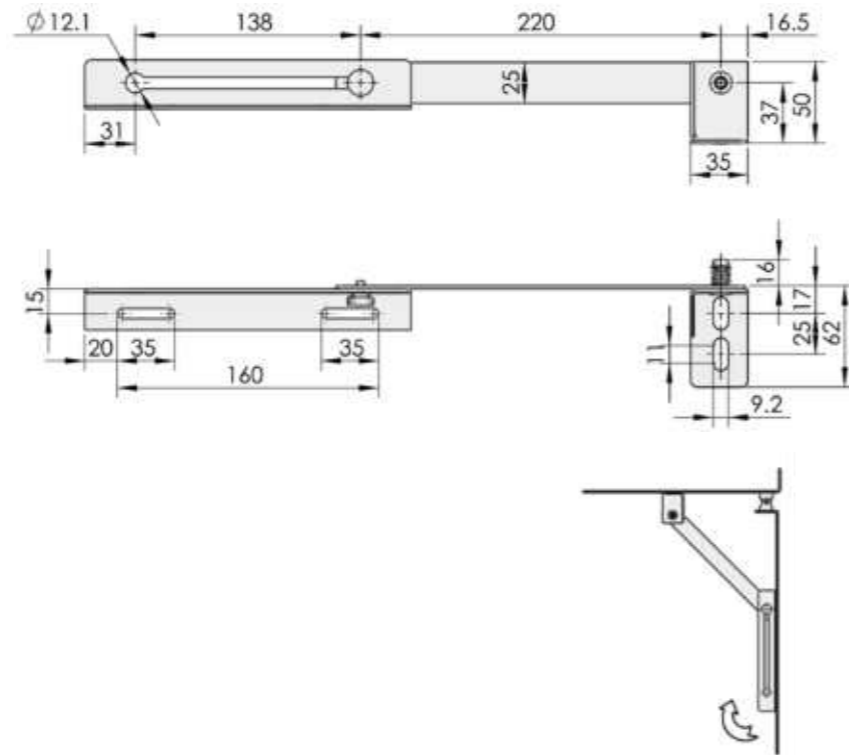


TX92-2



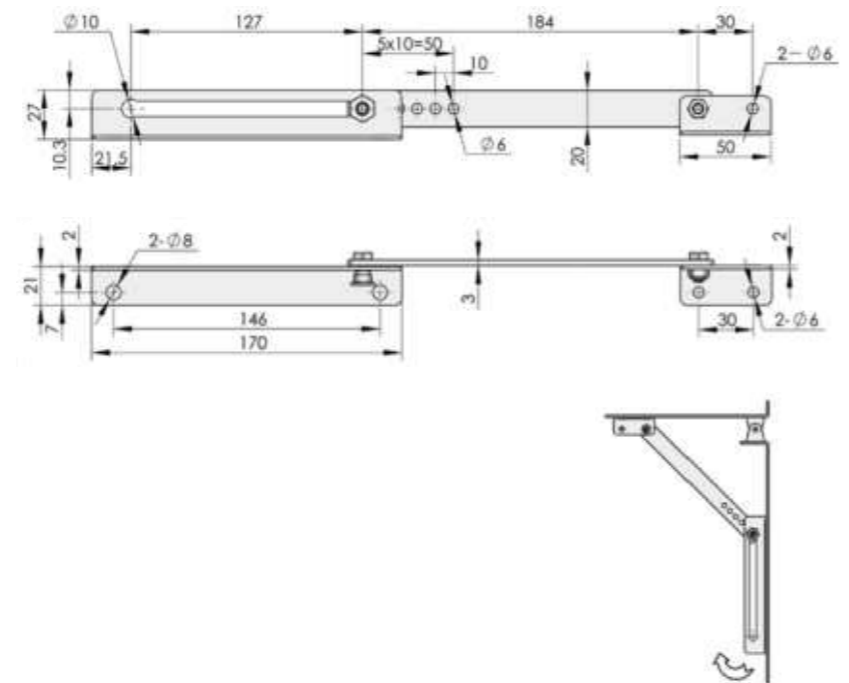
Main material: Stainless steel

TX92-1

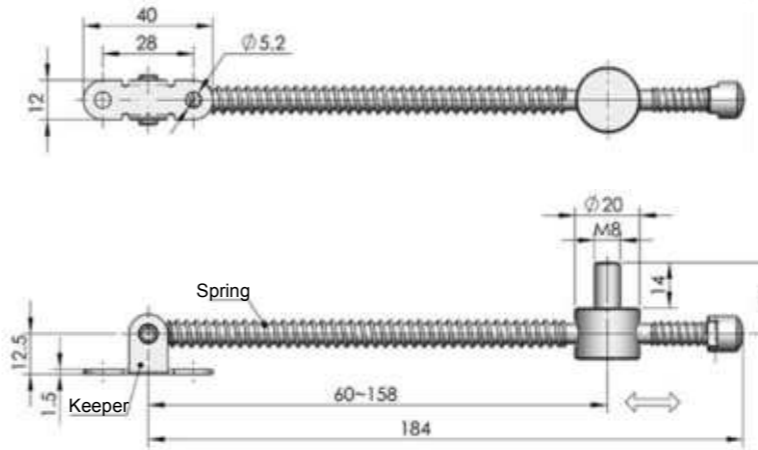


ERP TX092S00001

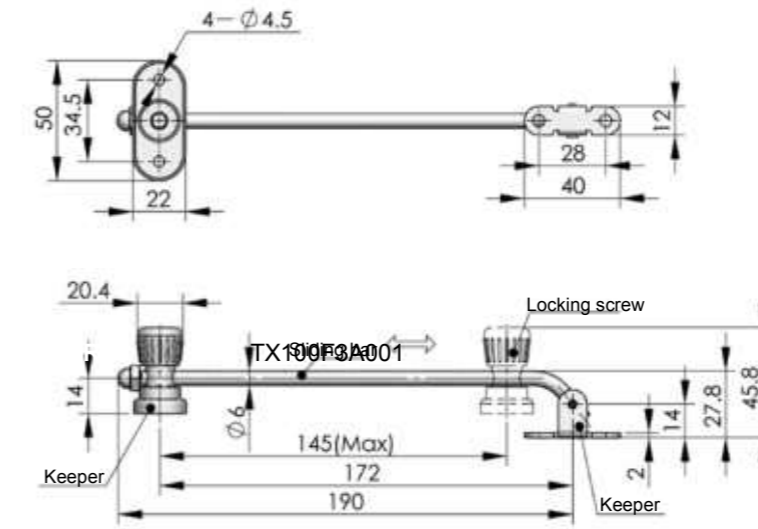
TX92-2



ERP TX092S00002



ERP TX100F3D001



ERP TX100F3A001

TX100-A



Main material and finish: Zinc-plated steel

TX100-B



Main material and finish: Bright chrome plated steel body, bright chrome plated steel body, locking screw and ZDC knob

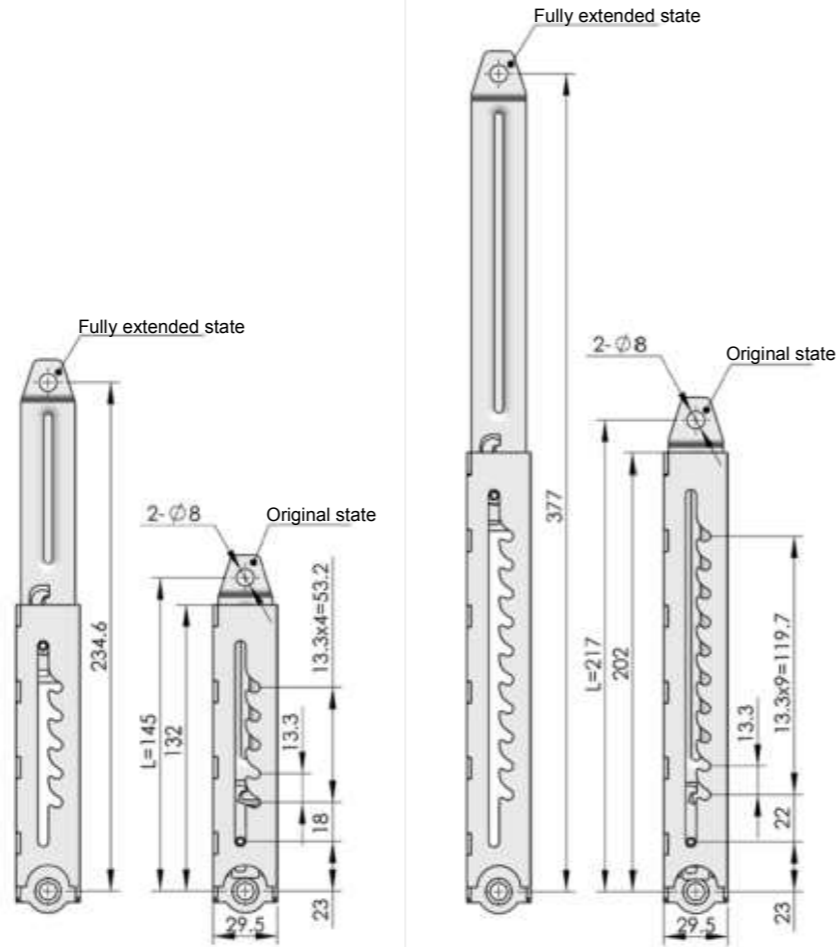
HINGE SERIES

- Accessories
- Handle lock
- Cylinder lock
- Electronic lock
- Plane lock
- Rod control lock
- Panel lock
- Toggle and hook
- Handles
- Door stop**
- Hinge
- Seal gasket

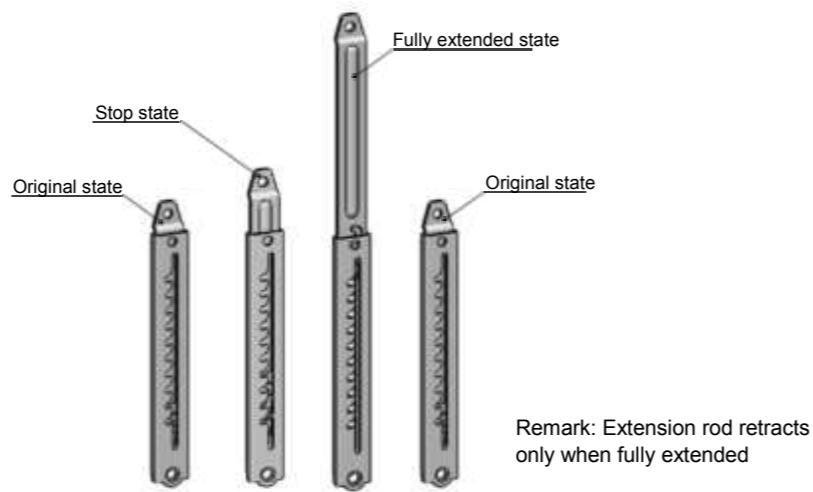


Main material and finish: Zinc plated steel
Application: Automatic multiple stops and release in the end position

TX101-1



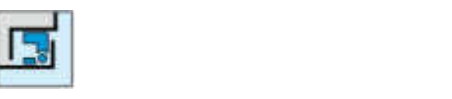
Different states of telescopic cover stay



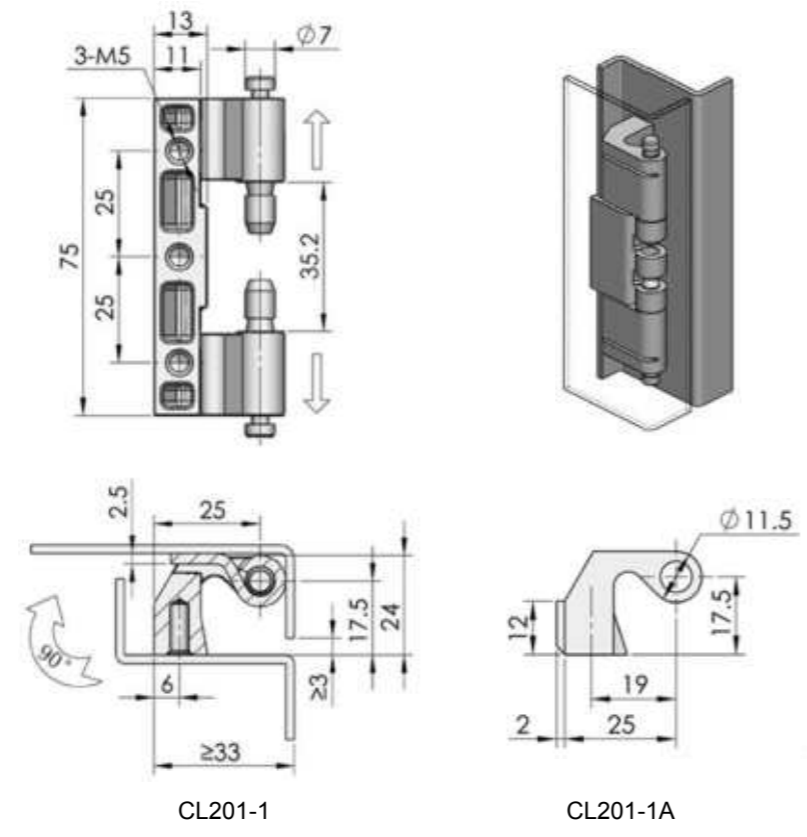
	L=145	L=217
ERP	TX101F3D001	TX101F3D002

CL201-1 P253	CL202-1 P256	CL203-1 P258	CL203-2 P258	CL203-4 P259	CL204-1 P259	CL204-3 P260	CL204-3S P261	CL204-3F P263	CL205-1 P263	CL206-1 P264
CL207 P267	CL208 P267	CL210 P269	CL209 P268	CL211 P269	CL212 P270	CL213-1 P271	CL214 P273	CL215 P273	CL218 P275	CL219 P276
CL220 P277	CL221 P277	CL222 P278	CL223 P278	CL225-3 P280	CL228 P280	CL226 P281	CL229 P284	CL230 P285	CL231-1 P286	CL232 P286
CL233 P287	CL234 P287	CL235 P288	CL237 P289	CL238 P290	CL240-1 P289	CL242 P291	CL243 P291	CL244 P292	CL246 P292	CL247 P293
CL248 P293	CL249 P294	CL250-1 P294	CL251 P295	CL253-1 P296	CL253-2 P297	CL253-5 P298	CL253-6 P299	CL254 P300	CL257 P302	CL260 P302
CL261 P303	CL237-2 P340	CL264 P304	CL266 P305	CL268 P306	CL269 P305	CL272 P307	CL273 P308	CL274 P308	CL275-1 P309	CL276 P310
CL280 P310	CL281 P311	CL282-1 P311	CL283 P312	CL289 P314	CL290 P314	CL293 P315	CL295 P316	CL296 P316	CL299-1-Z P317	CL331 P317
CL332 P318	CL103 P318	CL104 P319	CL105 P319	CL106 P320	CL108 P320	CL109 P321	CL115 P322	CL116 P322	CL117 P323	CL119 P323
CL123 P324	CL124 P324	CL125 P325	CL126 P325	CL132 P328	CL127 P326	CL135 P327	CL137 P328	CL142 P262	CL121 P262	CL154 P329
CL133 P330	CL145 P330	CL148 P331	CL151 P332	CL156 P332	CL158 P331	CL226-8 P331	CL253-9 P333	CL253-10 P333	CL128 P334	CL152 P334
CL152-2 P335	CL158-2 P335	CL163 P336	CL167 P336	CL173 P338	CL178 P339					

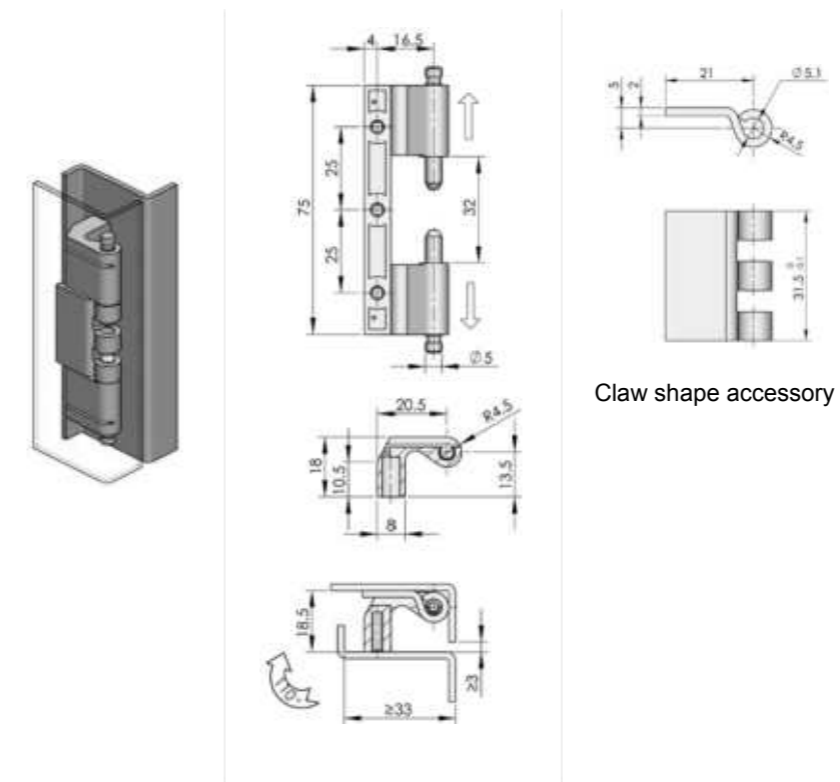
CL201-1



Main material and finish: ZDC hinge, steel pin and accessories
Application: Opening degree 90°



	Black powder	Nanometer painted	Blast sprayed
ERP	coated		
	CL201Z2A002	CL201Z2B002	CL201Z4D002



	Black powder coated	Nanometer painted	Blast sprayed
ERP	CL201Z2A006	CL201Z2B004	CL201Z4D007

CL201-2

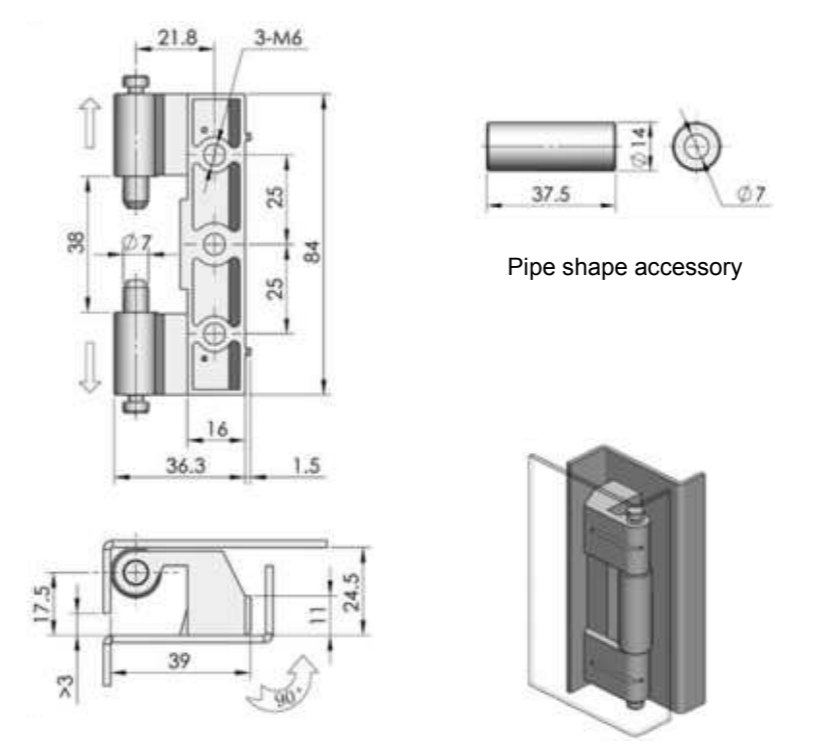


Main material and finish: ZDC hinge, steel pin and accessories
Application: Opening degree 110°

CL201-3



Main material and finish: ZDC hinge, steel pin and accessories
Application: Opening degree 90°

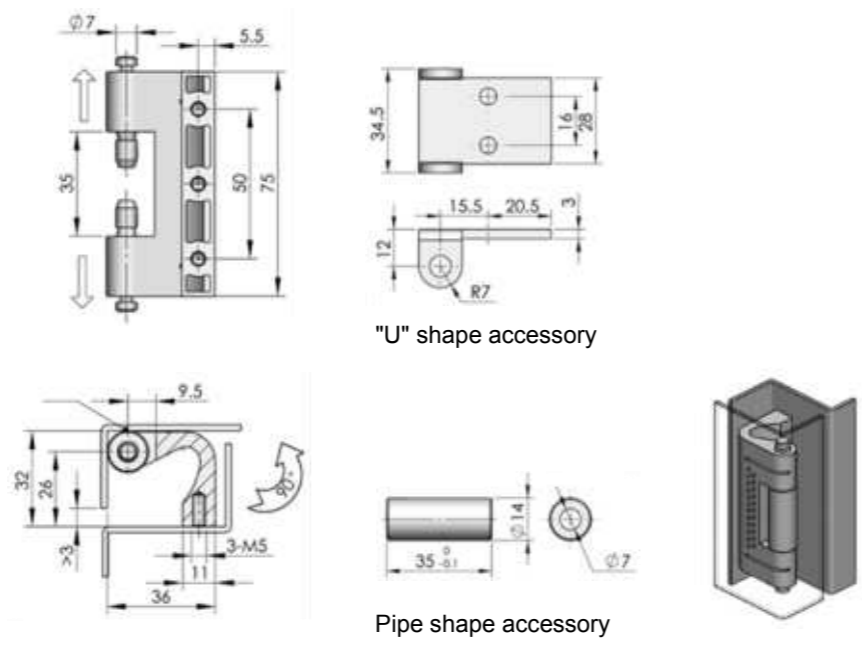


	Black powder	Nanometer painted	Blast sprayed
ERP	coated		
	CL201Z2A011	CL201Z2B008	CL201Z4D009

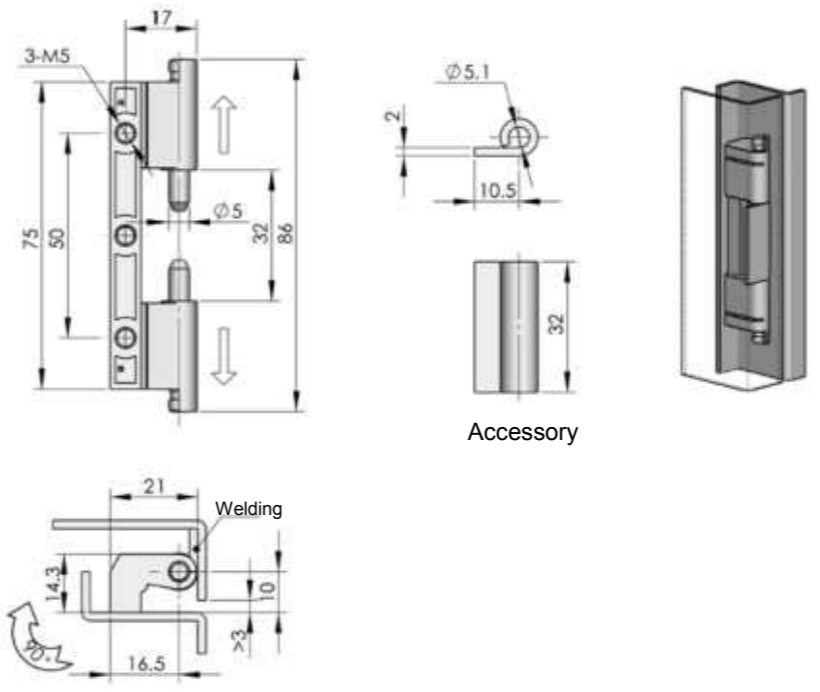
CL201-4



Main material and finish: ZDC hinge, steel pin and accessories
Application: Opening degree 90°



	Black powder coated	Nanometer painted	Blast sprayed
ERP	CL201Z2A015	CL201Z2B009	CL201Z4D012



	Nanometer painted	Blast sprayed
	CL201Z2B011	CL201Z4D017

CL201-6

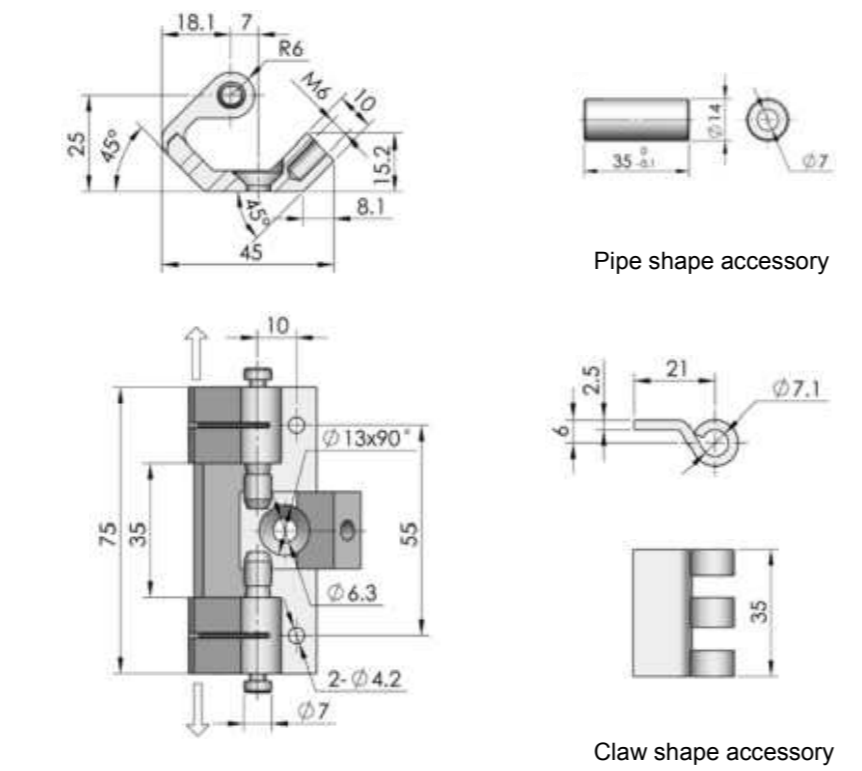


Main material and finish: ZDC hinge, steel pin and accessories
Application:

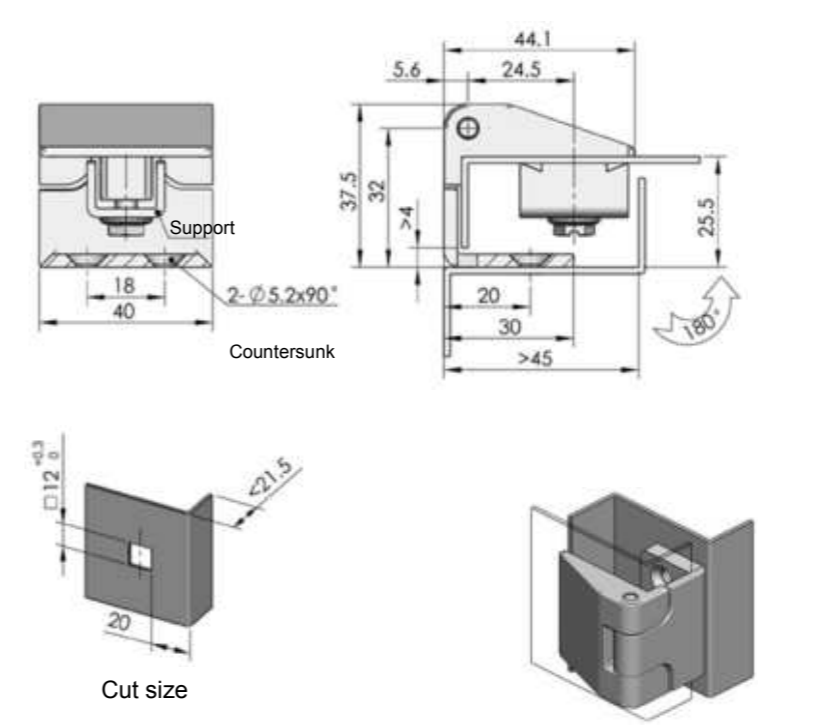
CL201-5



Main material and finish: ZDC hinge, steel pin and accessories



	Black powder coated	Blast sprayed
ERP	CL201Z2A013	CL201Z4D015



	Black powder coated	Nanometer painted
	CL202Z1A001	CL202Z2B001

CL202-1

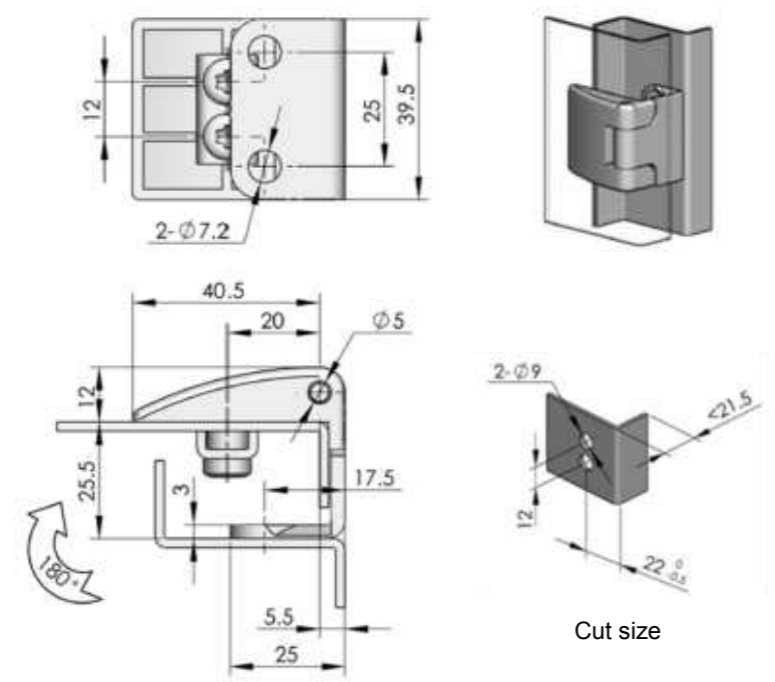


Main material and finish: ZDC door-part, steel frame-part and pin
Application: Opening degree 180°

CL202-2



Main material and finish: ZDC door-part, steel frame-part, pin and screw
Application: Opening degree 180°

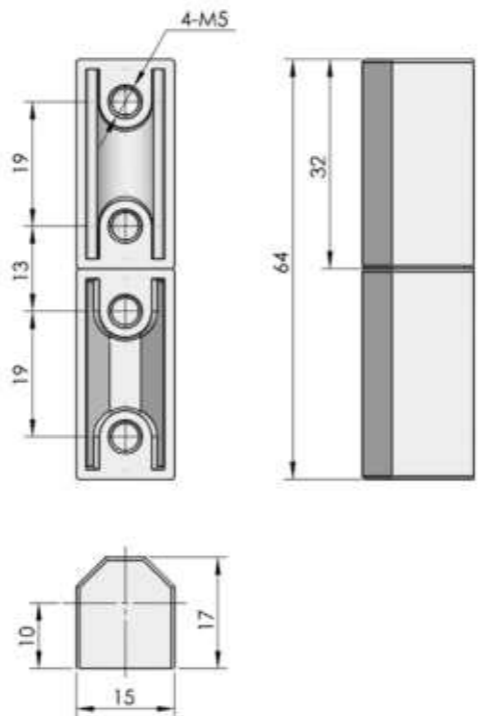


	Matt black powder coated	Malachite green powder coated	Pocked black powder coated
ERP	CL202Z1A002	CL202Z1F001	CL202Z1B001

CL203-2B

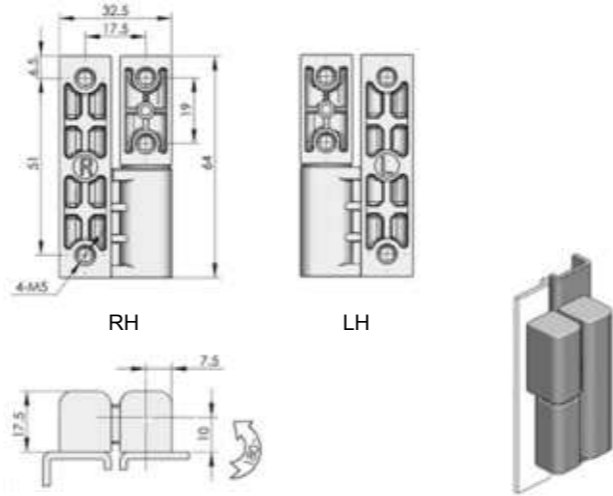


Main material and finish: ZDC hinge
Application: Opening degree 180°



	Black powder coated	Bright chrome plated
ERP	CL203Z1A007	CL203Z3A005

CL203-1



CL203-1



CL203-2

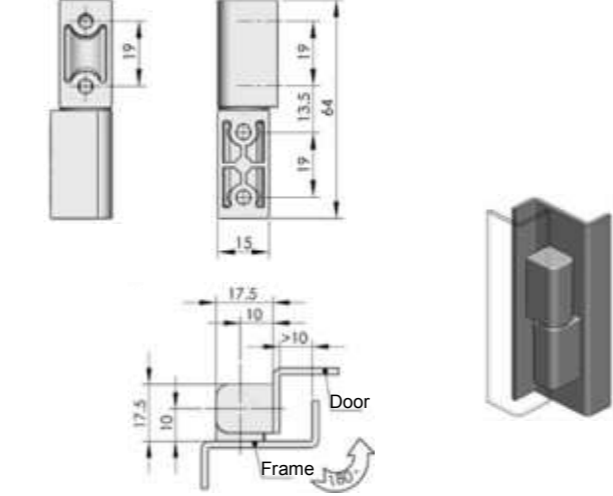


CL203-3

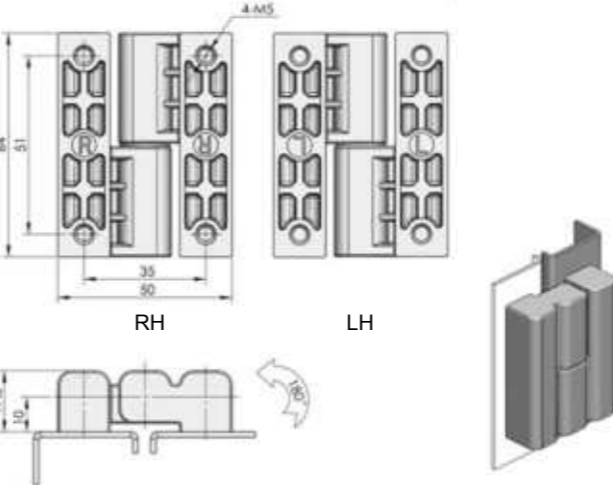


Main material and finish: ZDC hinge PA bushing
Application: Opening degree 180°

CL203-2



CL203-3

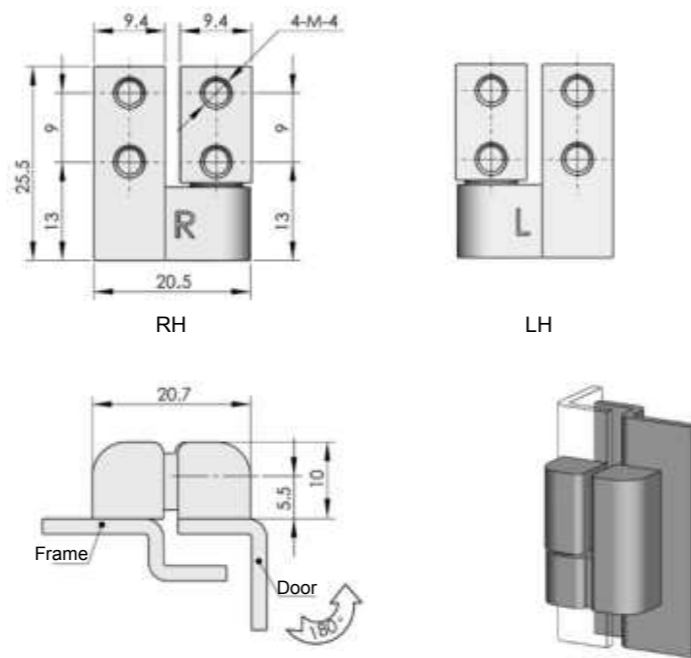


Specification	ERP				
	CL203-2	CL203-1 LH	CL203-1 RH	CL203-3 LH	CL203-3 RH
Black powder coated	CL203Z1A003	CL203Z1A001	CL203Z1A002	CL203Z1A008	CL203Z1A009
Pocked black powder coated	CL203Z1B004	CL203Z1B001	CL203Z1B002		
Nanometer painted	CL203Z2B003	CL203Z2B001	CL203Z2B002	CL203Z2B004	CL203Z2B005

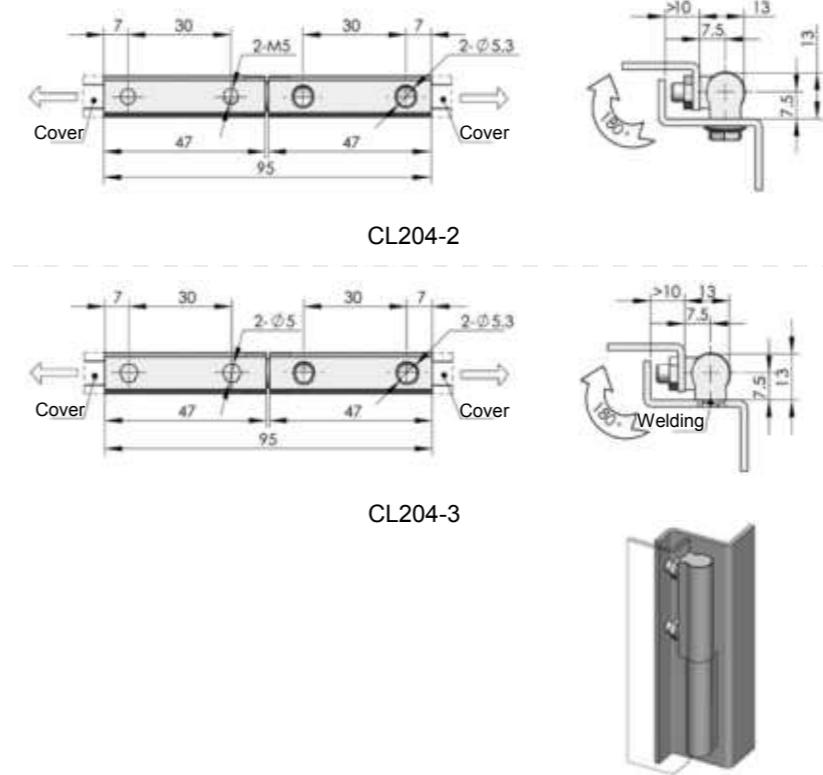
CL203-4



Main material and finish: Black powder coated ZDC hinge
Application: Opening angle 180°



Specification	ERP	
	LH	RH
Black painted	CL203Z2A001	CL203Z2A002
Nanometer painted	CL203Z2B006	CL203Z2B007



ERP	CL204-2 Fixed with screw	CL204-2 Welding
		CL204S00001

CL204-2 CL204-3



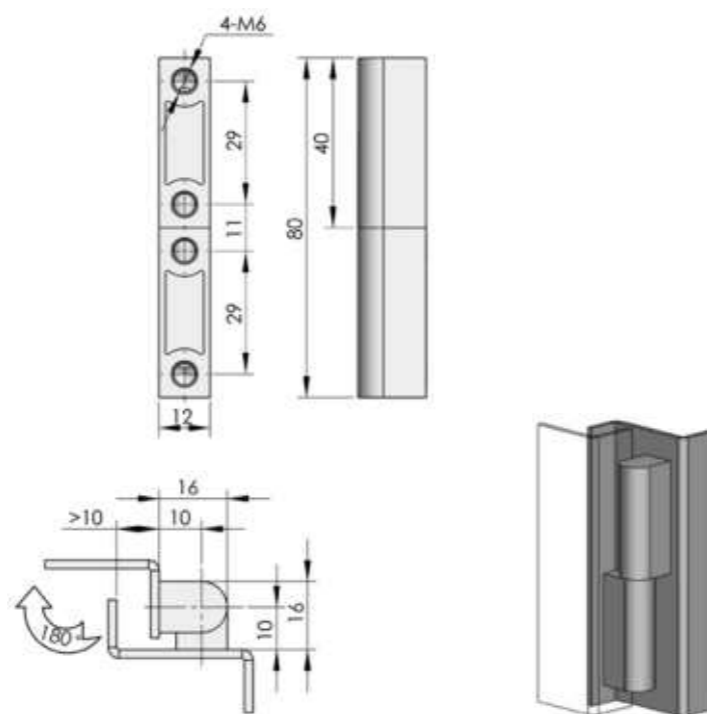
INOX
AISI
3..

Main material and finish: Stainless steel
Application: Opening angle 180°

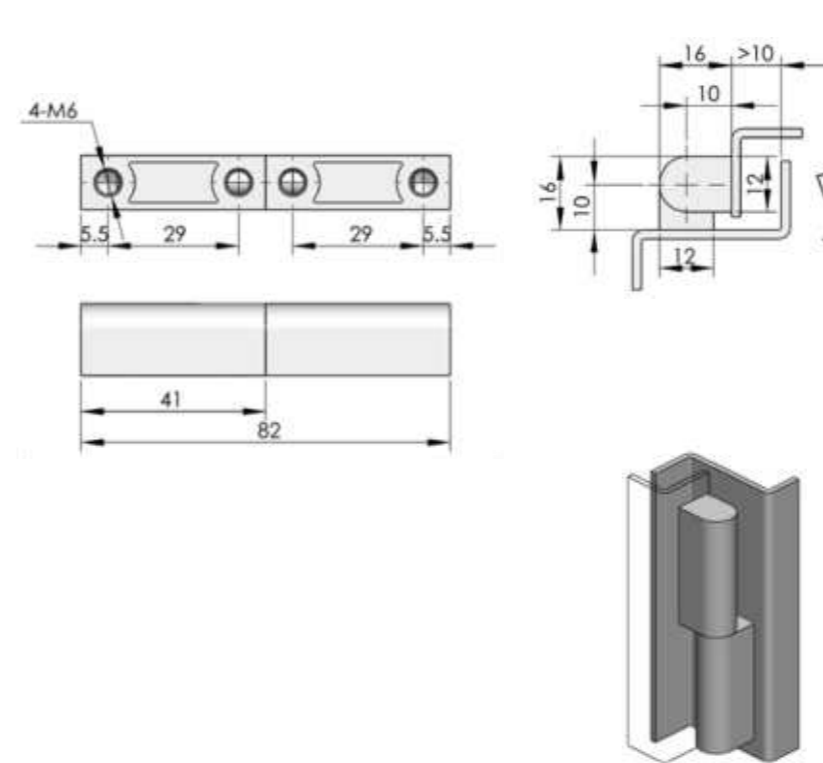
CL204-1



Main material and finish: Zinc hinge
Application: Opening angle 180°



ERP	Black powder coated	Nanometer painted	Bright chrome plated
		CL204Z1A001	CL204Z2B001



ERP	CL204Z3A002

CL204-3C

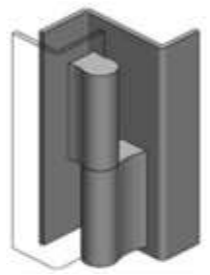
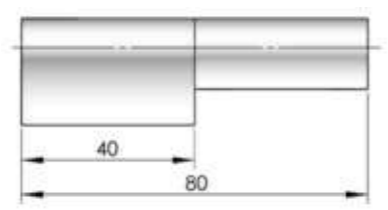
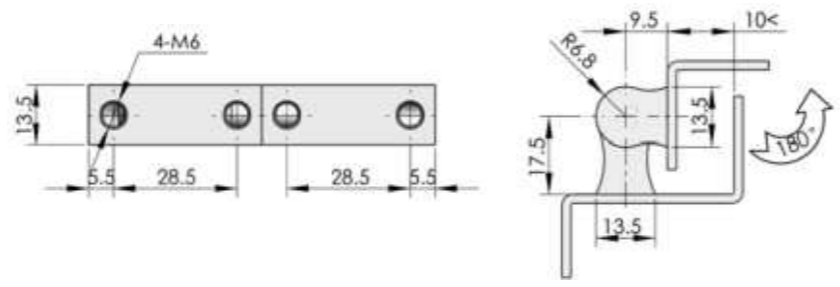


Main material and finish: Bright chrome-plated ZDC hinge
Application: Opening angle 180°

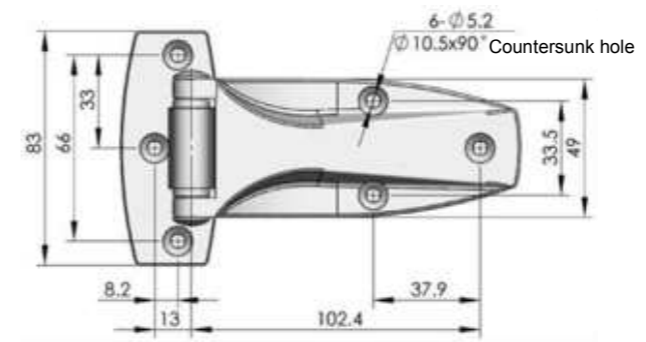
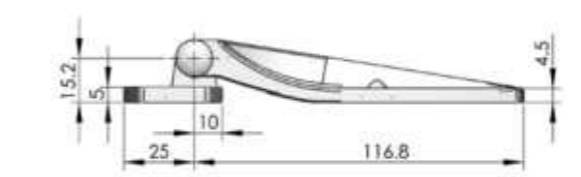


CL204-3D

Main material and finish: Bright chrome-plated ZDC hinge
Application: Opening angle 180°



ERP CL204Z3A003



ERP CL142S4A001



CL142

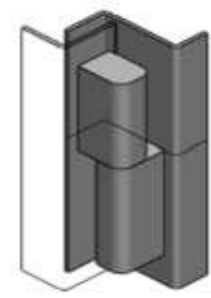
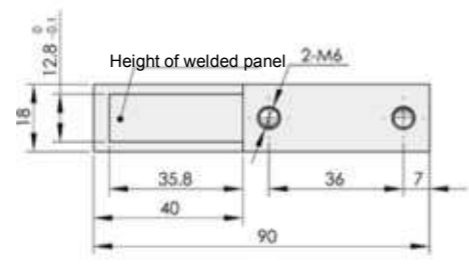
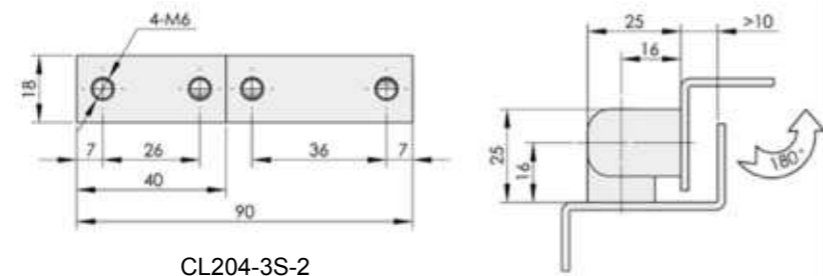
INOX
AISI
3..

Main material and finish: Mirror polishing stainless steel hinge
Application: Opening angle 135°

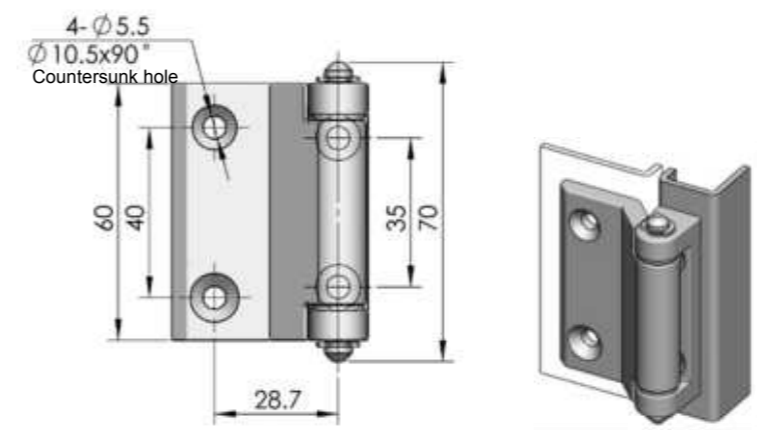
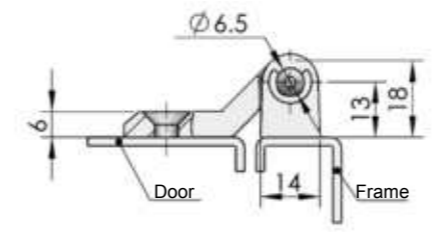


CL204-3S

Main material and finish: SUS304, wiredrawing polishing
Application: Opening angle 180°



ERP	CL204-3S-1	CL204-3S-2
	CL204S4B002	CL204S4B003



ERP CL121Z1A001



CL121

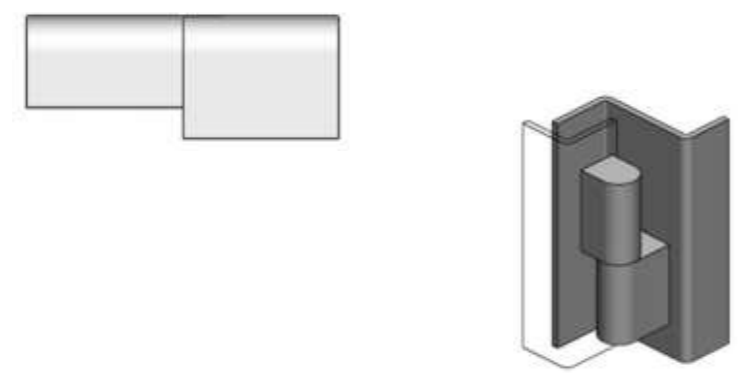
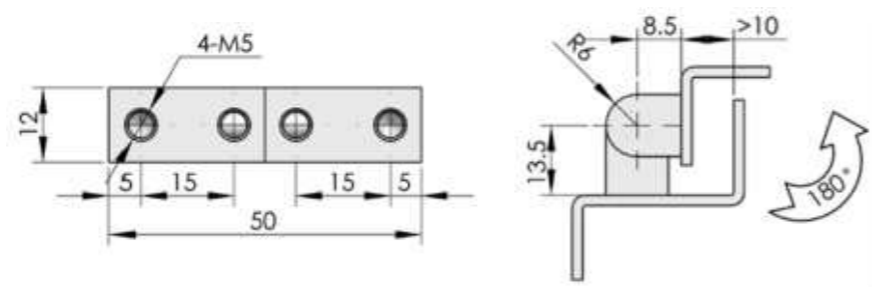
Main material and finish: Black powder coated ZDC hinge and white zinc-plated steel pin

Accessories
Handle lock
Cylinder lock
Electronic lock
Plane lock
Rod control lock
Panel lock
Toggle and hook
Handles
Door stop
Hinge
Seal gasket

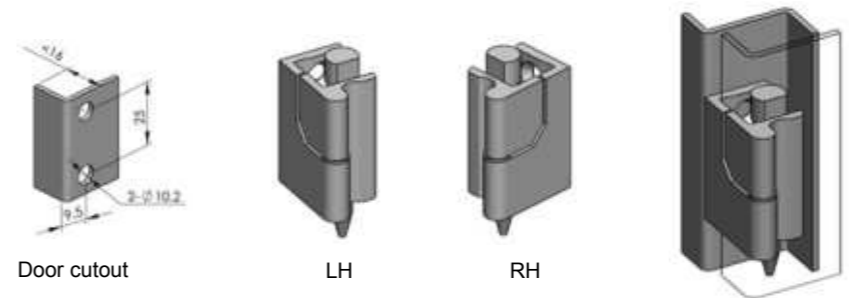
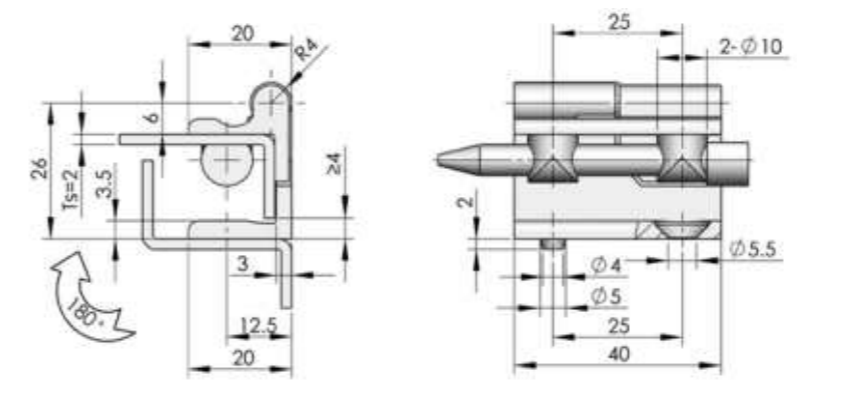


CL204-3F

Main material and finish: Bright chrome-plated ZDC hinge
Application: Opening angle 180°



ERP	CL204Z3A007
-----	-------------



Specification	ERP	
	Left hinge	Right hinge
Bright chrome-plated	CL205Z3A001	CL205Z3A002
Pocked black powder coated	CL205Z1B003	CL205Z1B004



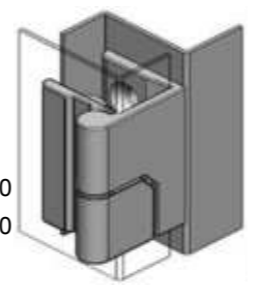
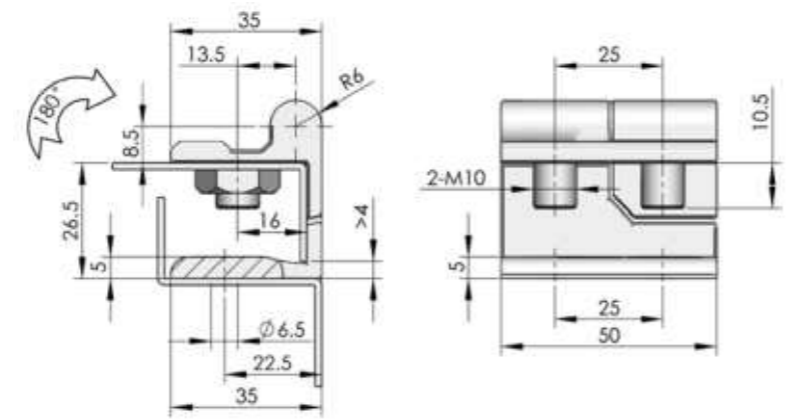
CL205-2

Main material and finish: ZDC hinge leaf and bushing, PA shaft
Application: Opening angle 180°

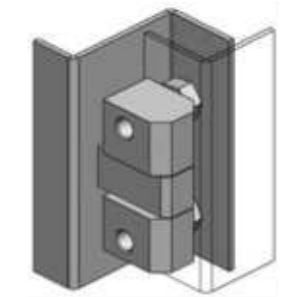
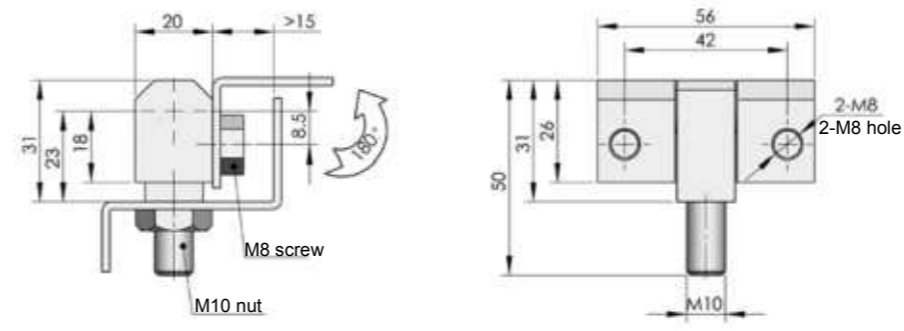


CL205-1

Main material and finish: Zinc hinge
Application: Opening angle 180°



Specification	ERP	
	Left hinge	Right hinge
Black powder coated	CL205Z1A00	CL205Z1A002
Pocked black powder coated	CL205Z1B00	CL205Z1B002



ERP	CL206F3A001
-----	-------------



CL206-1

Main material and finish: Bright chrome plated steel hinge, steel gasket
Application: Opening angle 180°

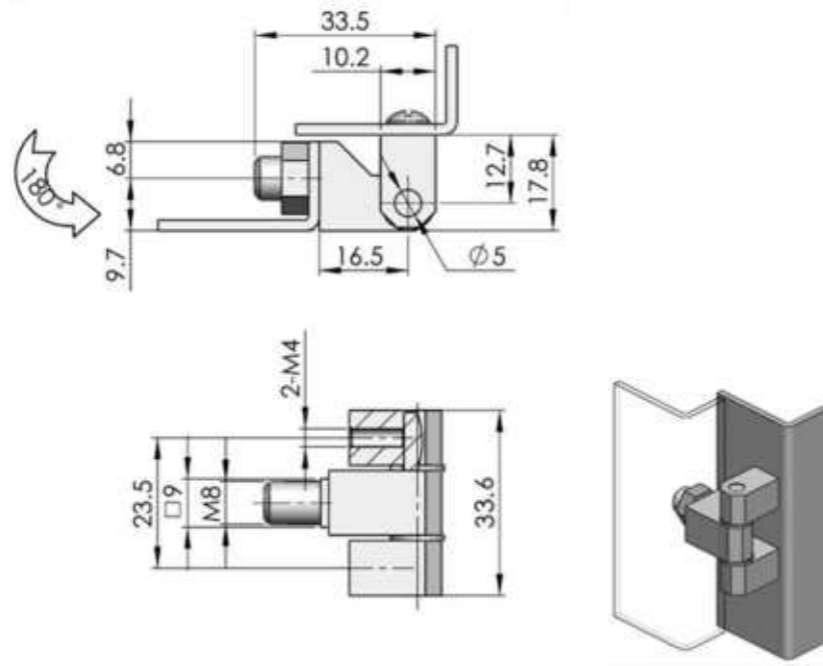


Accessories
Handle lock
Cylinder lock
Electronic lock
Plane lock
Rod control lock
Panel lock
Toggle and hook
Handles
Door stop
Hinge
Seal gasket

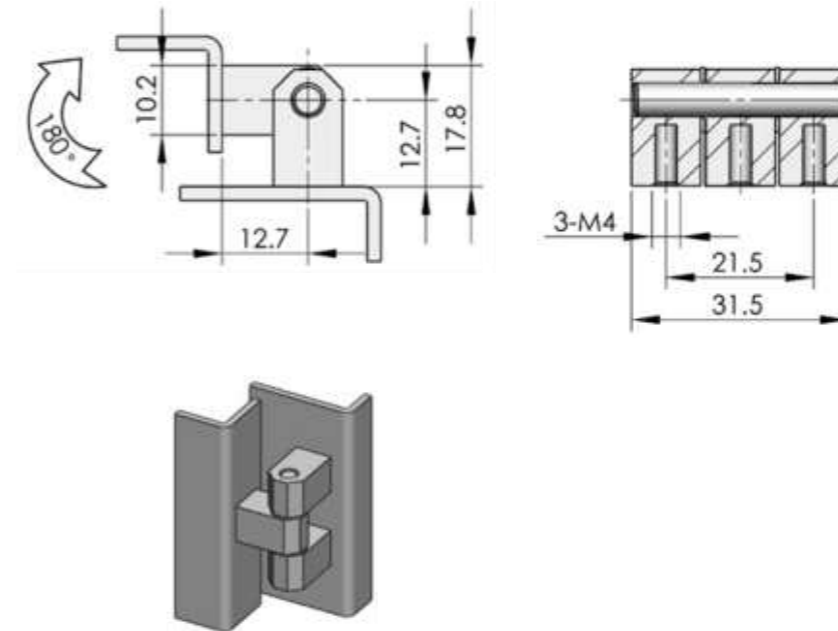
CL206-2



Main material and finish: ZDC hinge, steel pin
Application: Opening angle 180°



	Black powder coated	Bright chrome-plated
ERP	CL206Z1A001	CL206Z3A007



	Black powder coated	Bright chrome-plated
ERP	CL206Z1A003	CL206Z3A012

CL206-4

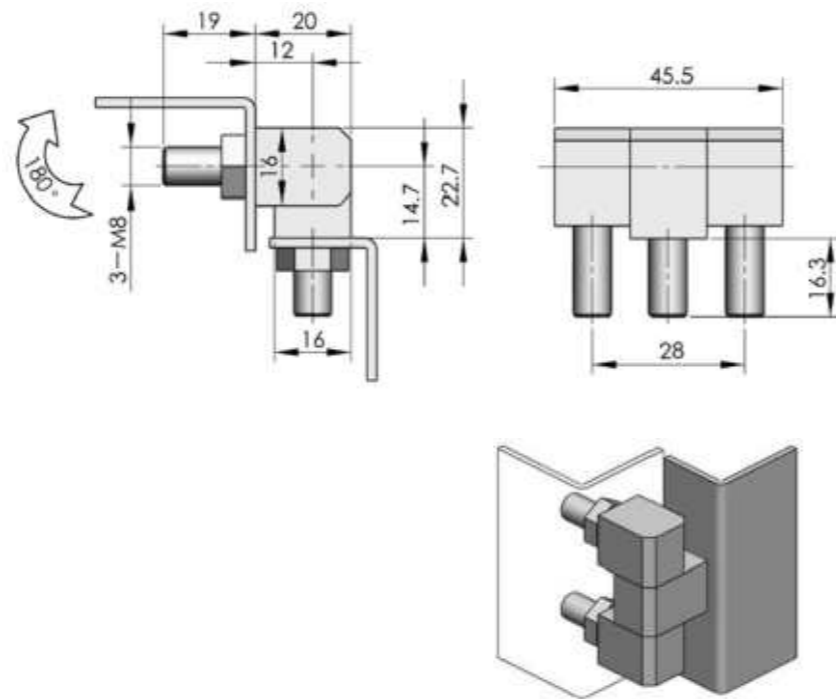


Main material and finish: ZDC hinge, steel pin
Application: Opening angle 180°

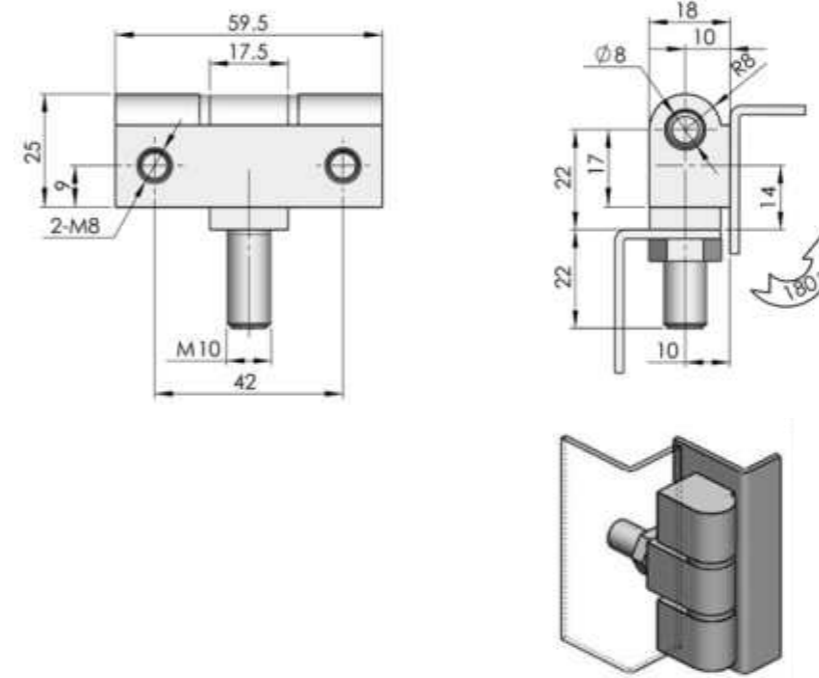
CL206-3



Main material and finish: Bright chrome plated steel hinge and gasket
Application: Opening angle 180°



	Pocked black powder coated	Black painted	Bright chrome plate
ERP	CL206F1B001	CL206F2A001	CL206F3A008



	Black painted	Bright chrome-plated
ERP	CL206Z2A002	CL206Z3A010

CL206-3B

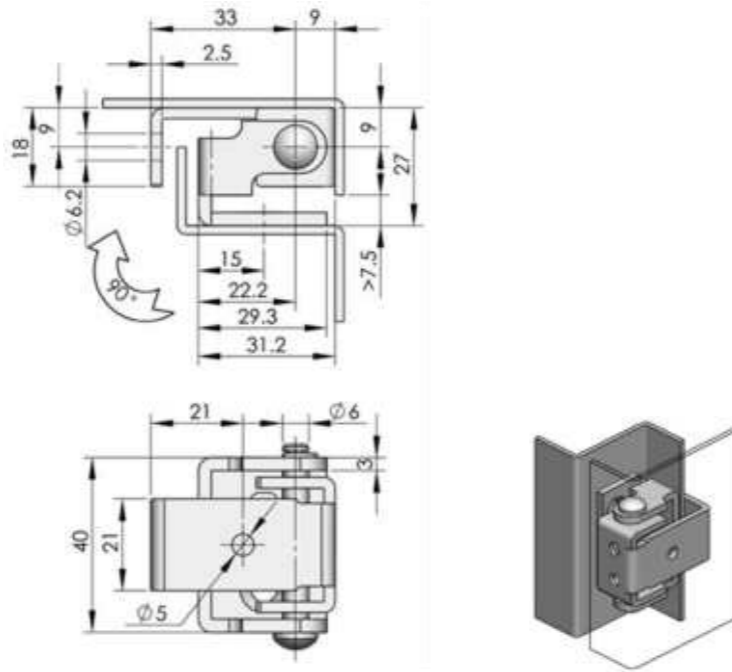


Main material and finish: Zinc hinge
Application: Opening angle 180°

CL207



Main material and finish: White zinc-plated steel hinge
Application: Opening angle 90°

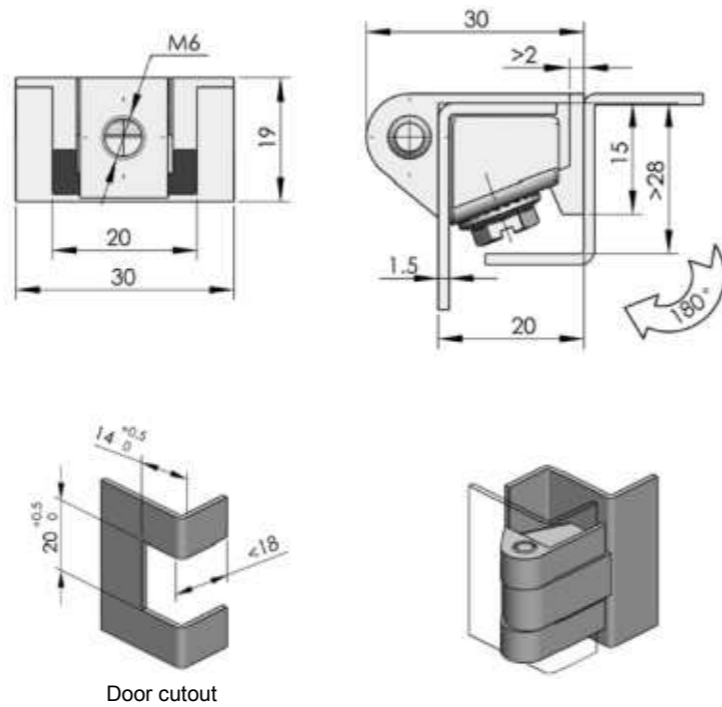


ERP	CL207F3D001
-----	-------------

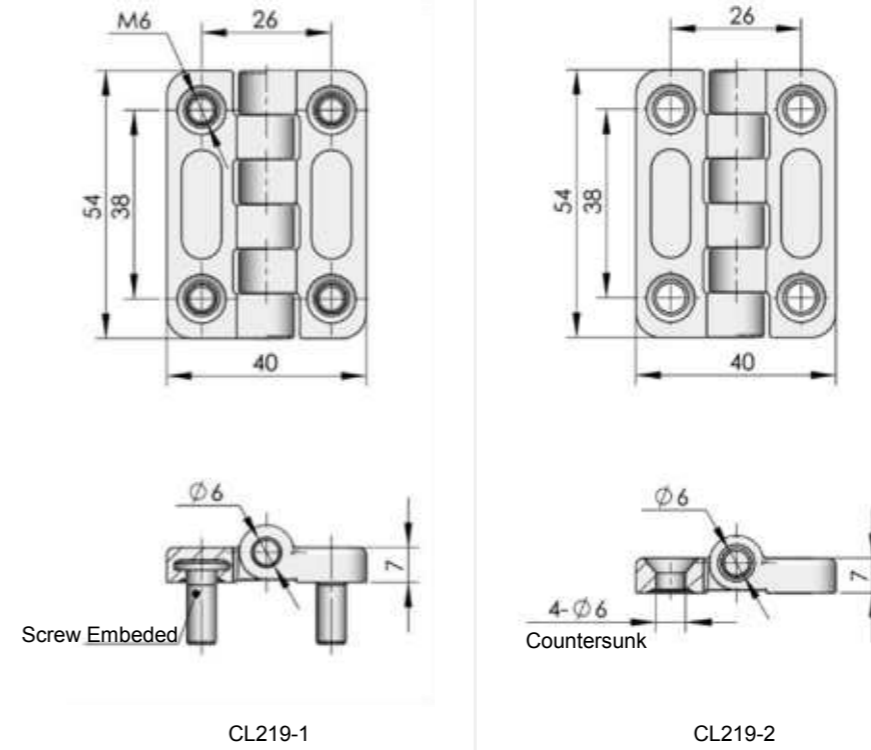
CL208



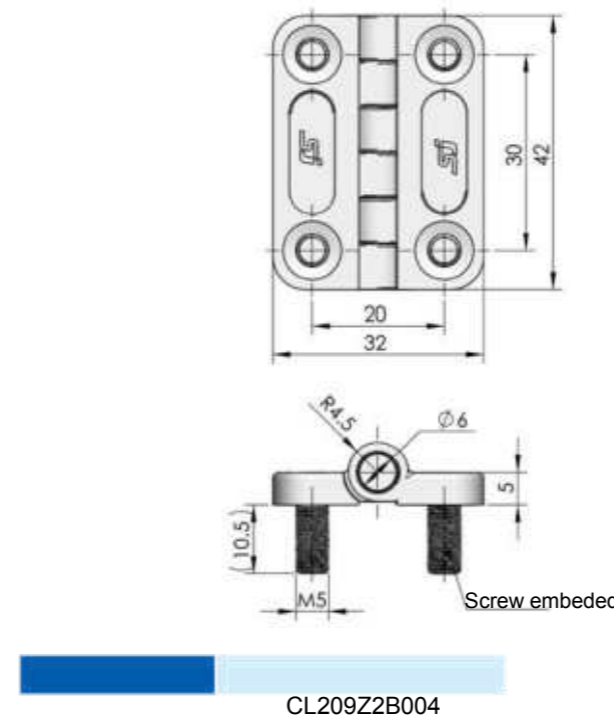
Main material and finish: Zinc hinge, steel support and screw
Application: Opening angle 180°



	Matt black powder coated	Nanometer	Bright chrome-plated
ERP	CL208Z1A001	CL208Z2B001	CL208Z3A001



Specification	ERP	
	CL219-1	CL219-2
Bright chrome-plated	CL209Z3A001	CL209Z3A002
Matt black powder coated	CL209Z1A001	CL209Z1A015
Pocked black powder coated	CL209Z1B001	CL209Z1B002
Nanometer painted	CL209Z2B001	CL209Z2B006



ERP	CL209Z2B004
-----	-------------

CL209-1



CL209-2



Main material and finish: Zinc hinge and steel pin
Application: Opening angle 180°

CL209-1C

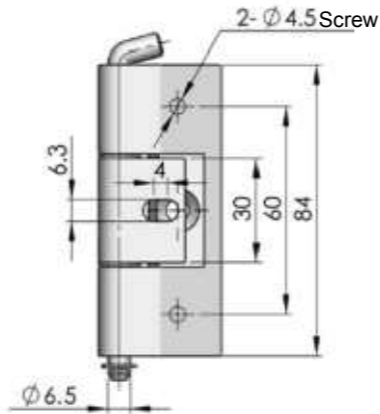
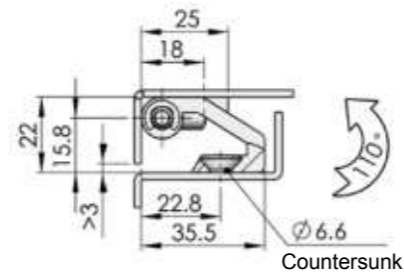


Main material and finish: Nanometer painted ZDC hinge, steel pin and screw
Application: Opening angle 180°

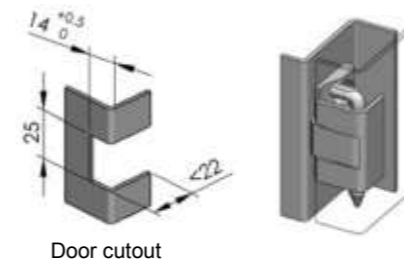
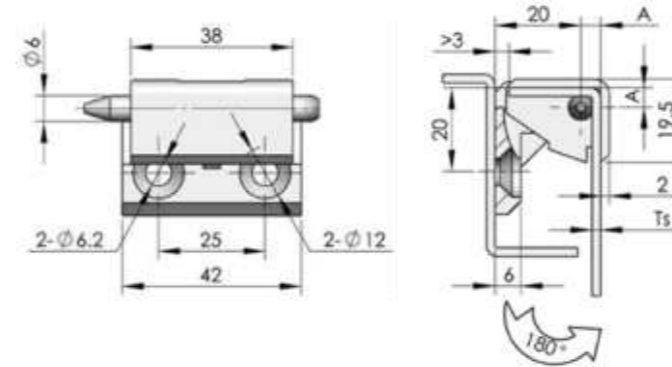
CL210



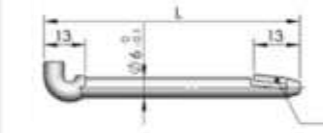
Main material and finish: Zinc hinge, steel pin, PA gasket set
Application: Opening angle 110°



ERP	Matt black powder coated	Nanometer painted
CL210Z1A001		CL210Z2B001



Optional nylon pin



Part No.	L
PN001	57
PN002	78

ERP	Specification	A
CL212Z1A001	Suitable door thickness, $T_s=2\text{mm}$	5.1
CL212Z1A003	Suitable door thickness, $T_s=3\text{mm}$	6.1
CL212Z1A004	Suitable door thickness, $T_s=1.5\text{mm}$	4.6

CL212

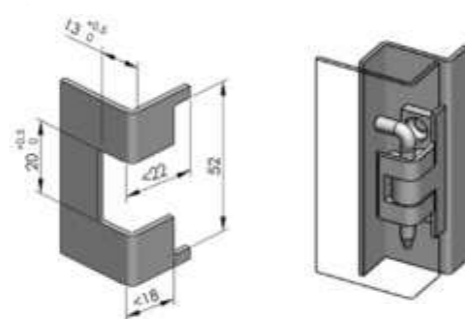
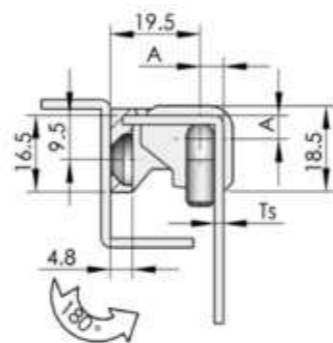
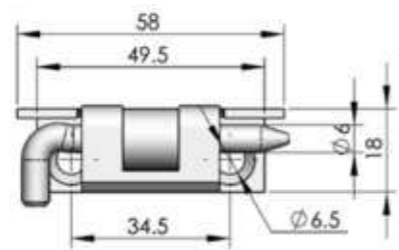


Main material and finish: Black powder coated ZDC hinge, nickel-plated steel pin
Application: Opening angle 180°

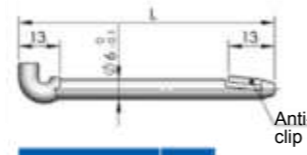
CL211



Main material and finish: Black powder coated ZDC hinge, nickel-plated steel pin
Application: Opening angle 180°

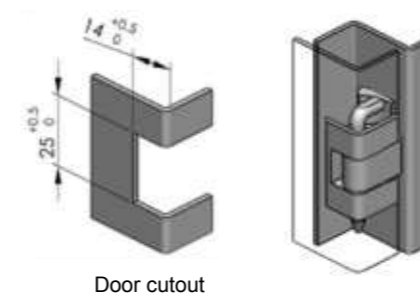
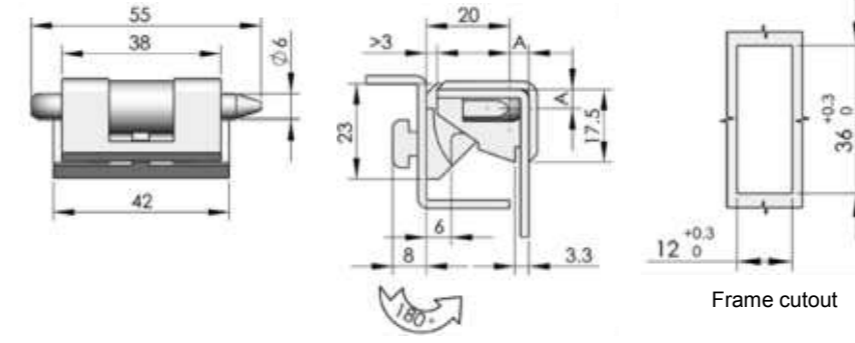


Optional nylon pin



Part No.	L
PN001	57
PN002	78

ERP	Specification	A
CL211Z1A001	Suitable	4.6
CL211Z1A010	Suitable door thickness, $T_s=2\text{mm}$	5.1



Optional nylon pin



Part No.	L
PN001	57
PN002	78

ERP	Specification	A
CL212Z1A002	Suitable door thickness, $T_s=2\text{mm}$	5.1
CL212Z1A005	Suitable door thickness, $T_s=3\text{mm}$	6.1
CL212Z1A006	Suitable door thickness, $T_s=1.5\text{mm}$	4.6

CL212-3A

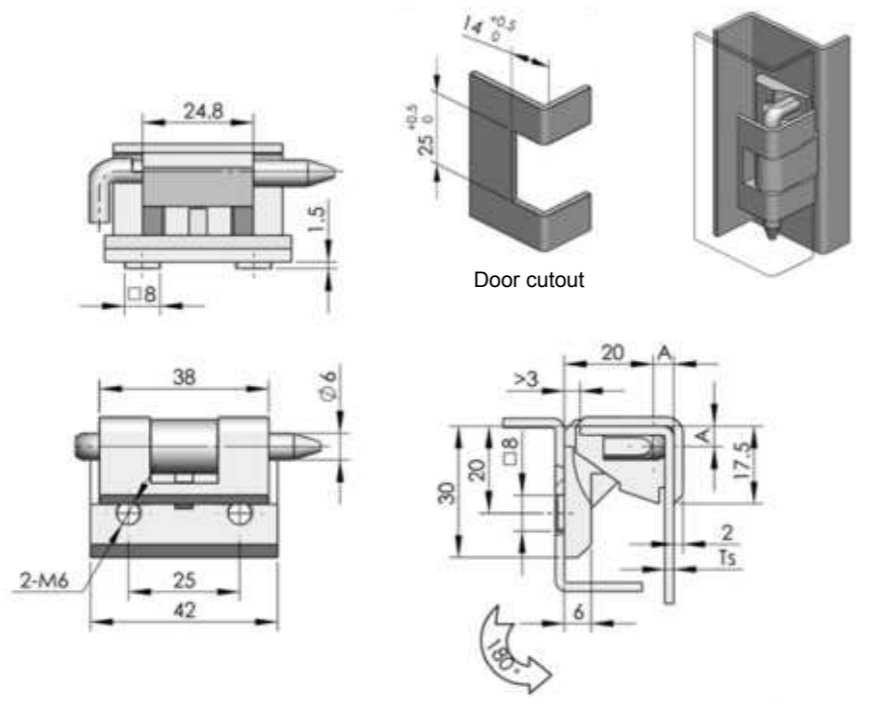


Main material and finish: Black powder coated ZDC hinge, nickel-plated steel pin
Application: Opening angle 180°

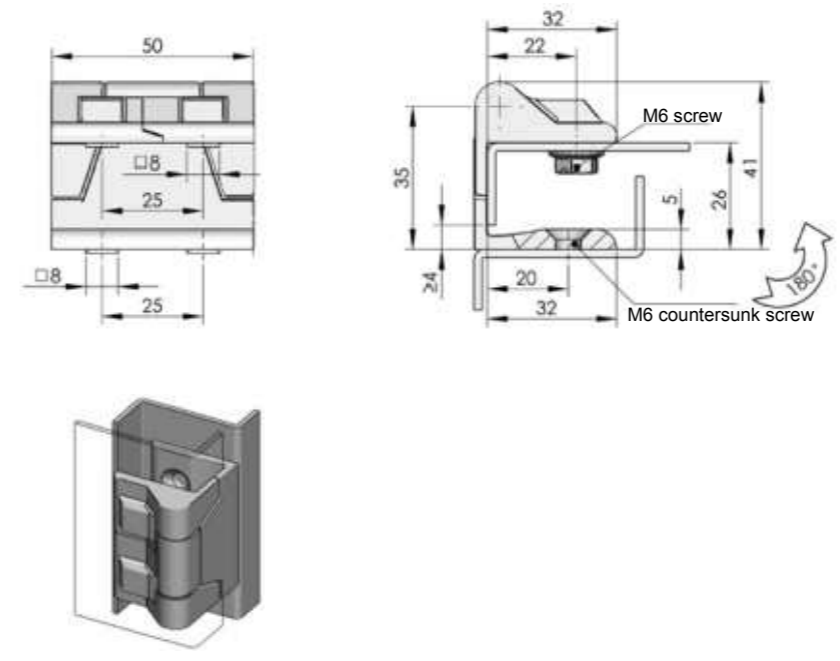
CL212-3B



Main material and finish: Black powder coated ZDC hinge, nickel-plated steel pin
Application: Opening angle 180°



ERP	Specification	A
CL212Z1A007	Suitable door thickness, Ts=2mm	5.1
CL212Z1A008	Suitable door thickness, Ts=3mm	6.1
CL212Z1A009	Suitable door thickness, Ts=1.5mm	4.6



ERP	Black powder coated	Pocked black powder coated
	CL213Z1A003	CL213Z1B002

CL213-2

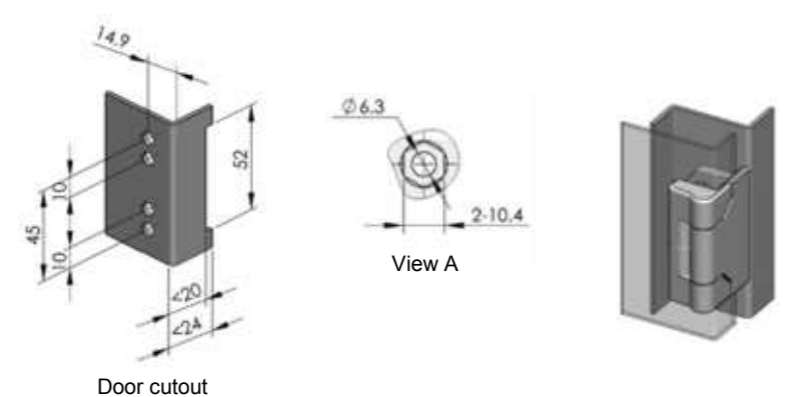
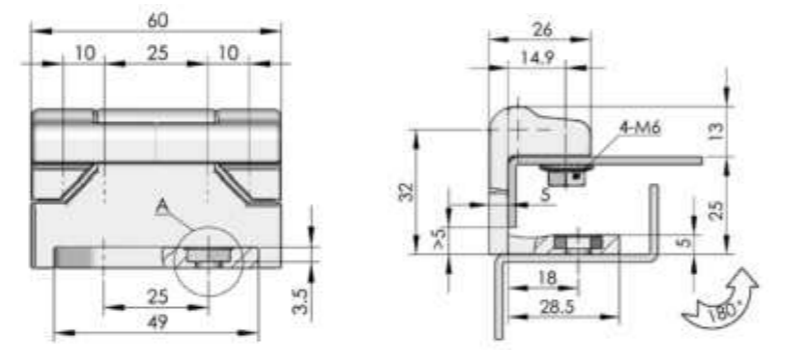


Main material and finish: Zinc hinge, brass gasket, steel pin
Application: Opening angle 180°

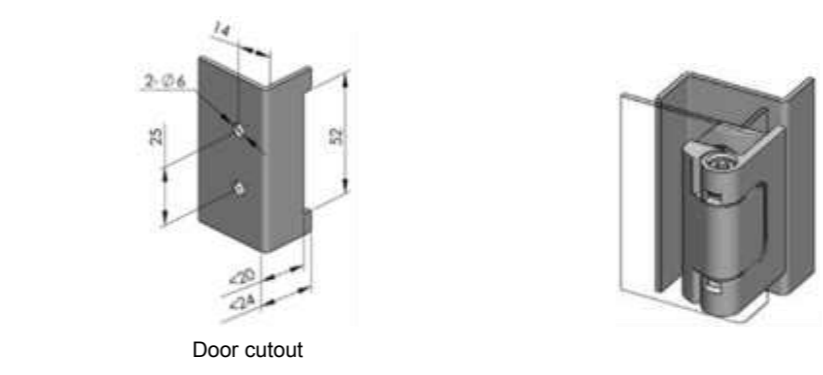
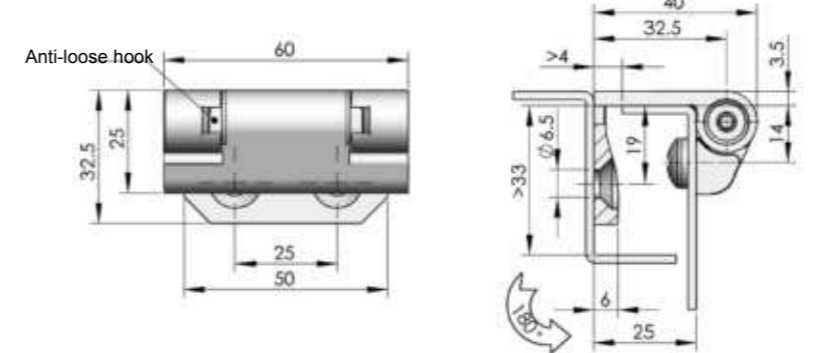
CL213-1



Main material and finish: Black powder coated ZDC hinge, nickel-plated steel pin, brass gasket
Application: Opening angle 180°



ERP	CL213Z1A001



ERP	Black powder coated	Pocked black powder coated
	CL213Z1A004	CL213Z1B003

CL213-3

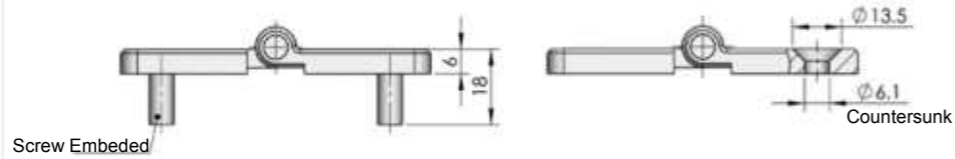
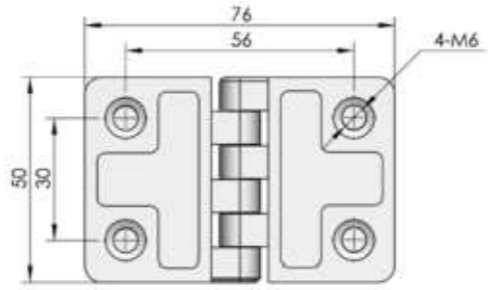


Main material and finish: Zinc hinge, PA shaft
Application: Opening angle 180°

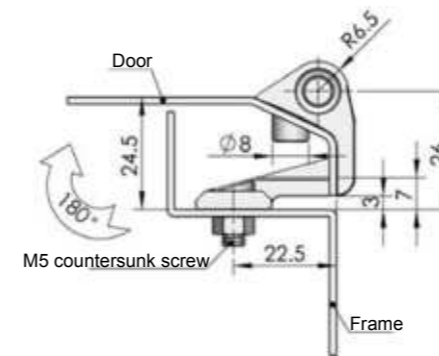
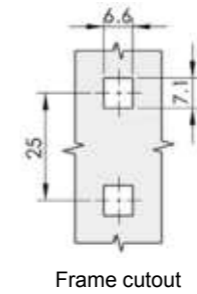
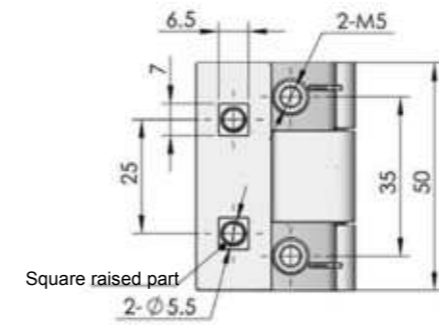
CL214



Main material and finish: Zinc hinge and steel pin
Application: Opening angle 180°



Specification	ERP	
	CL214-1	CL214-2
Bright chrome-plated	CL214Z3A001	CL214Z3A002
Matt black powder coated	CL214Z1A001	CL214Z1A003
Pocked black powder coated	CL214Z1B001	CL214Z1B002
Nanometer painted	CL214Z2B001	CL214Z2B002



ERP CL216Z1A001

CL216

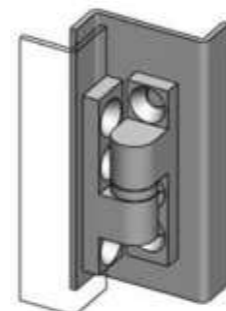
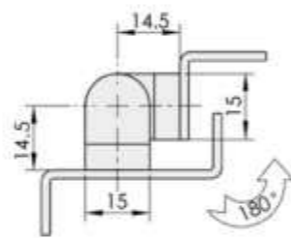
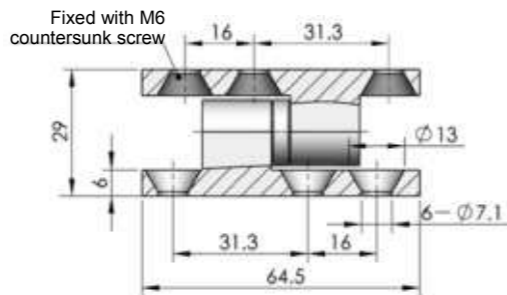


Main material and finish: Black powder coated ZDC hinge, nickel-plated steel pin
Application: Opening angle 180°

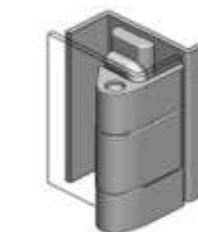
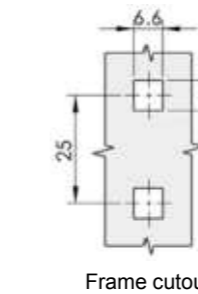
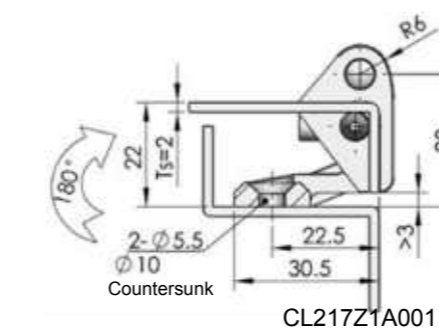
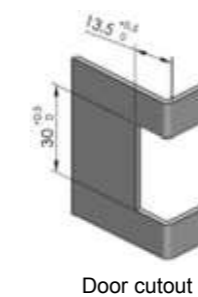
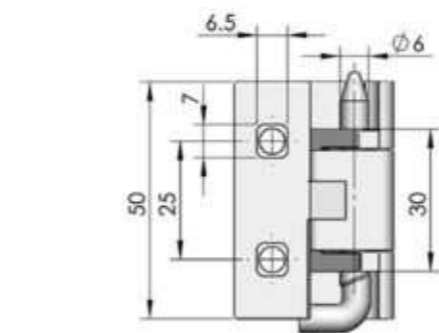
CL215



Main material and finish: White zinc plated steel hinge, PA washer
Application: Opening angle 180°



ERP CL215F3D001



ERP CL217Z1A001

CL217

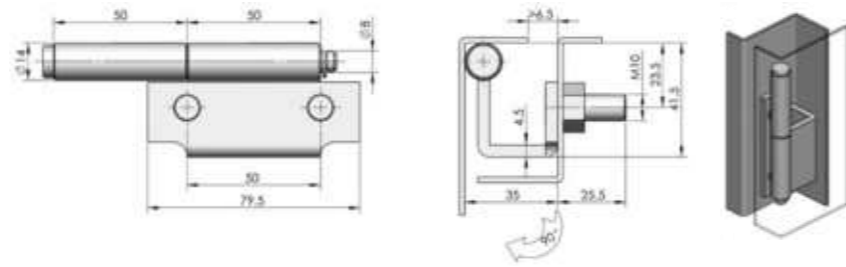


Main material and finish: Black powder coated ZDC hinge, nickel-plated steel pin
Application: Opening angle 180°

CL218

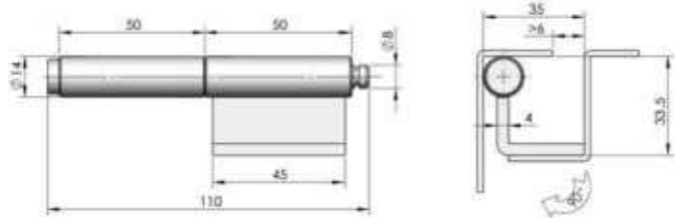


Main material and finish: White zinc-plated steel hinge
Application: Opening angle 90°



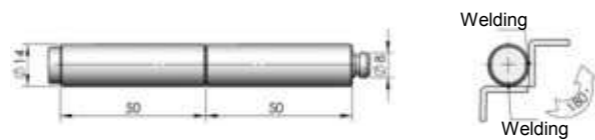
CL218-1

ERP CL218F3D001



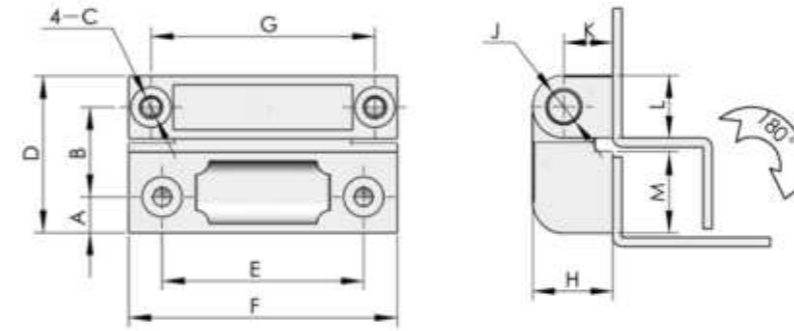
CL218-2

ERP CL218F3D002

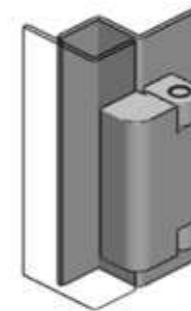


CL218-3

ERP CL218F3D003



O-ring seals onto the screw holes will be provided if required



O-ring seals onto the screw holes will be provided if required

ERP	Structure	Specification												
		A	B	C	D	E	F	G	H	J	K	L	M	
CL219Z1A001	Non-damping	8	20	M5	35	45	60	50	18	∅8	11	14	18	
CL219Z1A005	Non-damping	4	13	M4	22	22	30	22	13	∅5	8	10	9	
CL219Z1A007	Non-damping	4	18.5	M4	27.5	22	30	22	13	∅5	8	10	14.5	

CL219



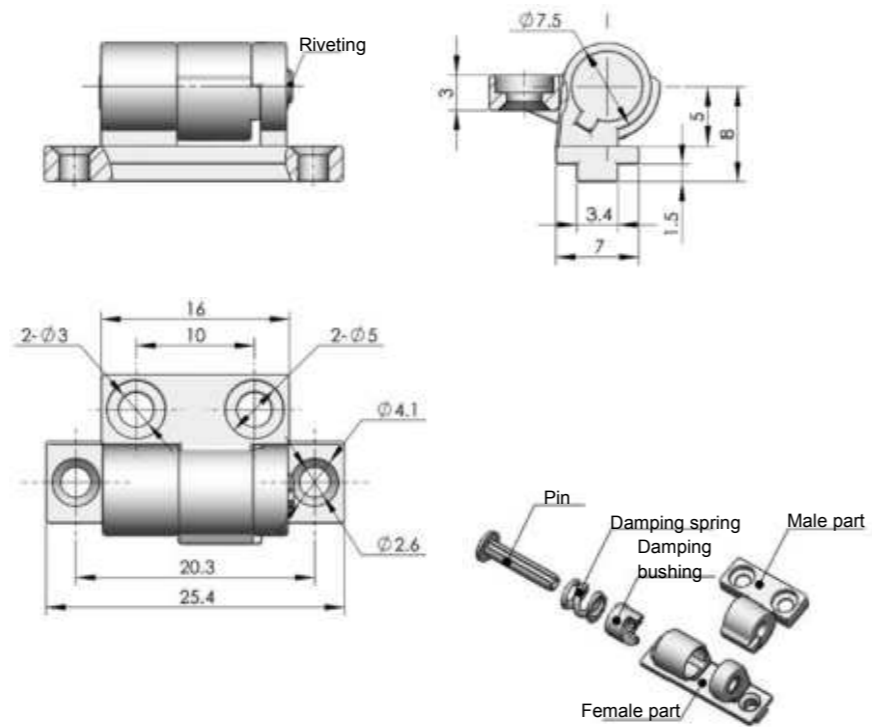
Main material and finish: Black powder coated ZDC hinge, nickel-plated steel pin
Application: Opening angle 180°

Accessories
 Handle lock
 Cylinder lock
 Electronic lock
 Plane lock
 Rod control lock
 Panel lock
 Toggle and hook
 Handles
 Door stop
Hinge
 Seal gasket

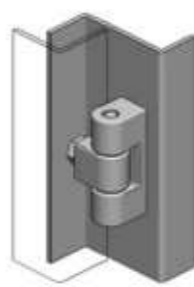
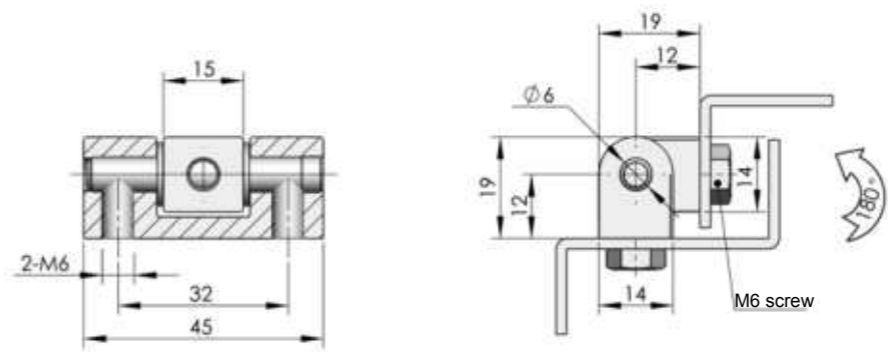
CL220



Main material and finish: Gray chrome-plated ZDC hinge, nickel-plated steel pin



ERP	CL220Z3B001
-----	-------------



	Black powder coated	Pocked black powder coated	Bright chrome-plated	Nanometer painted
ERP	CL222Z1A001	CL222Z1B001	CL222Z3A001	CL222Z2B002

CL222

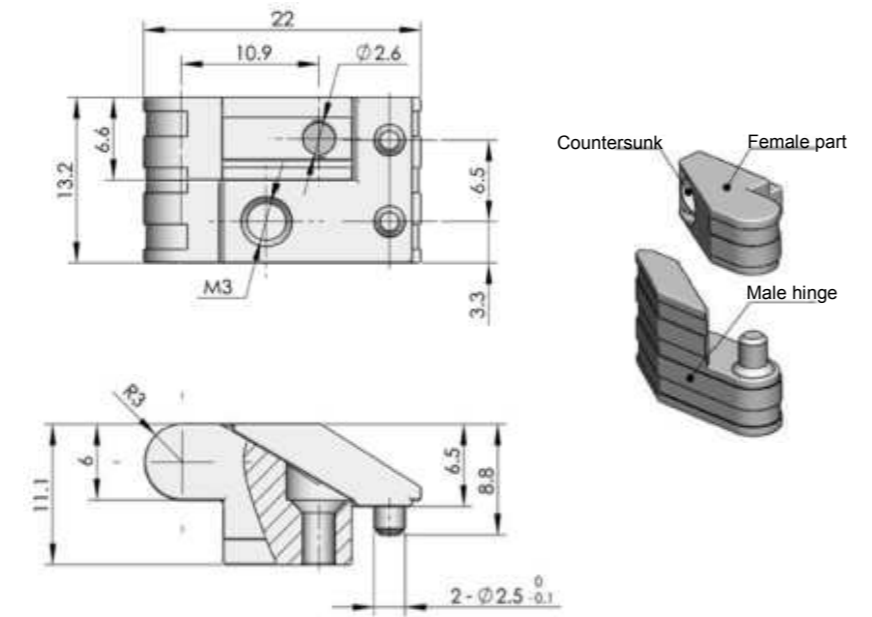


Main material and finish: ZDC hinge, nickel-plated steel pin, PA bushing
Application: Opening angle 180°

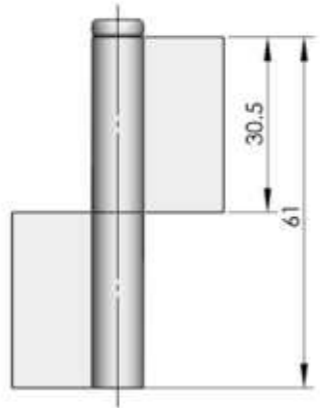
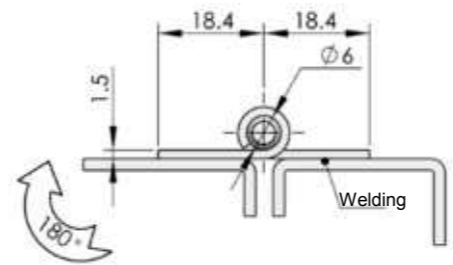
CL221



Main material and finish: Nanometer painted ZDC hinge



ERP	Specification
CL221Z2B001	LH
CL221Z2B002	RH applicable



ERP	CL223F3D001
-----	-------------

CL223




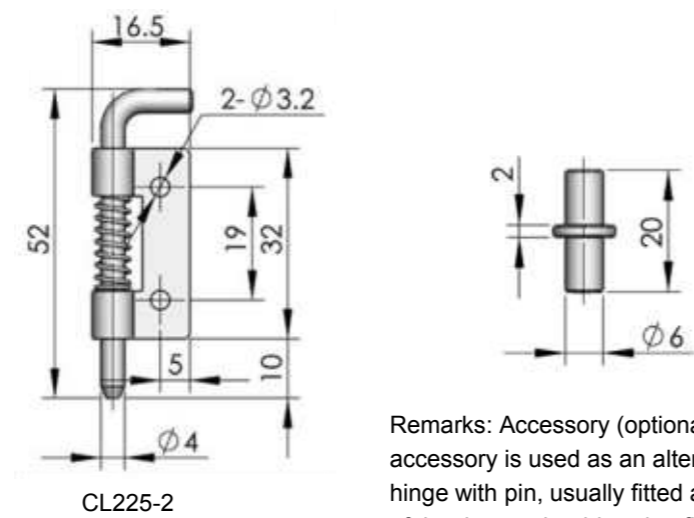
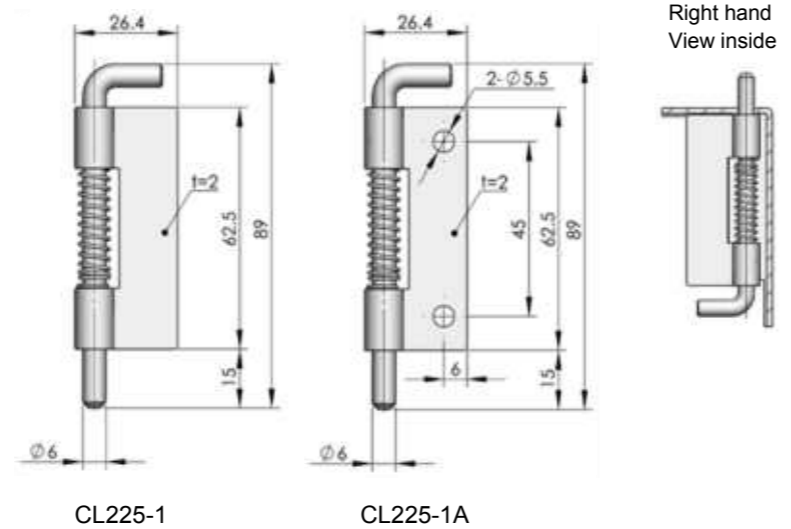
Main material and finish: White zinc plated steel hinge leaf
Application: Opening angle 180°

Accessories
 Handle lock
 Cylinder lock
 Electronic lock
 Plane lock
 Rod control lock
 Panel lock
 Toggle and hook
 Handles
 Door stop
Hinge
 Seal gasket

CL225

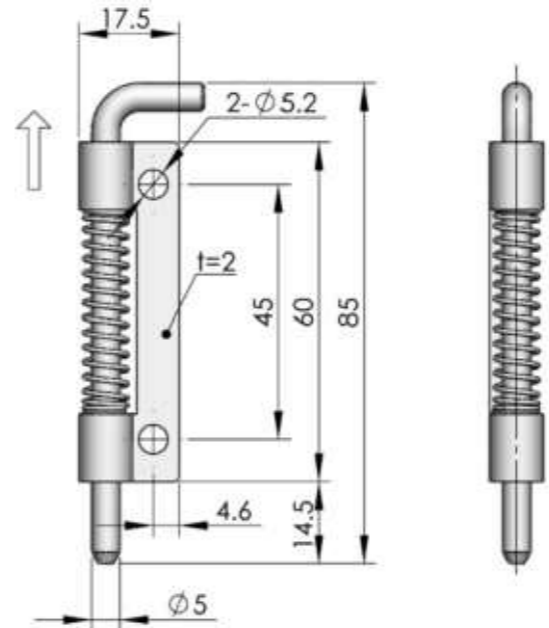


 **Main material and finish:** White zinc plated steel hinge leaf

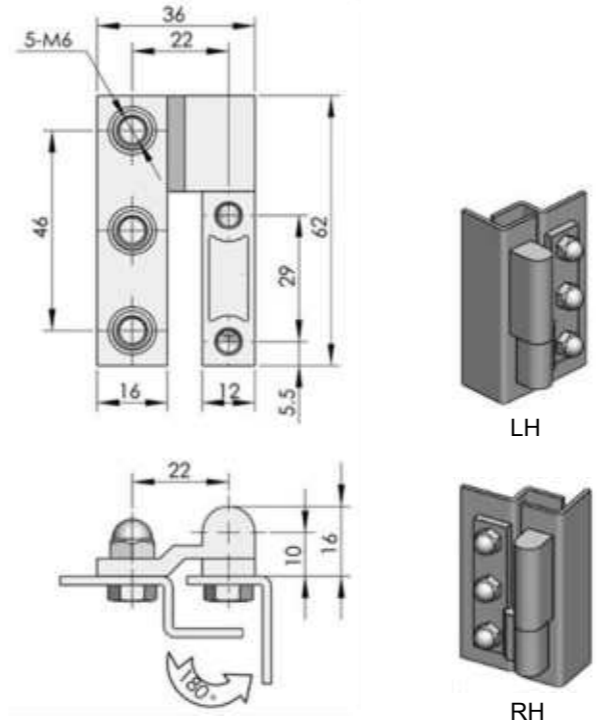


Remarks: Accessory (optional) This accessory is used as an alternative to the hinge with pin, usually fitted at the bottom of the door as load-bearing fixing door

Item	ERP	
	Left hand	Right hand
CL225-1	CL225F3D001	CL225F3D004
CL225-1A	CL225F3D008	CL225F3D007
CL225-2	CL225F3D011	CL225F3D012




	LH	RH
ERP	CL225F3D022	CL225F3D019



	LH	RH
ERP	CL228Z1A001	CL228Z1A002


CL225-3



 **Main material and finish:** White zinc plated

CL228



 **Main material and finish:** Black powder coated ZDC hinge, nickel-plated steel pin
Application: Opening angle 180°

Accessories
 Handle lock
 Cylinder lock
 Electronic lock
 Plane lock
 Rod control lock
 Panel lock
 Toggle and hook
 Handles
 Door stop
Hinge
 Seal gasket

CL226



CL226-1



CL226-2



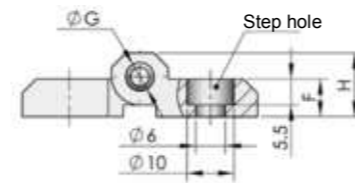
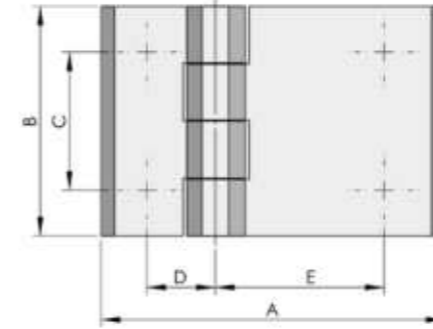
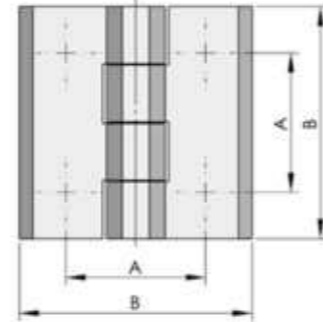
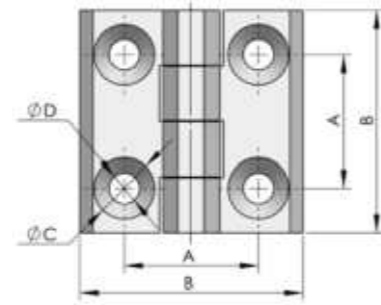
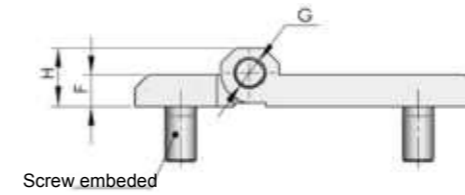
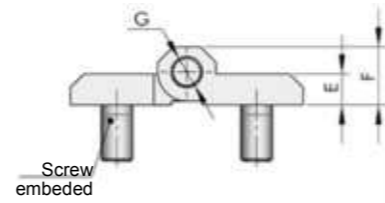
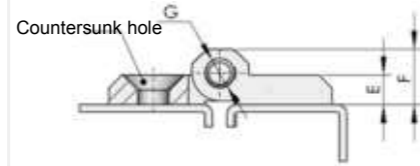
CL226-3



CL226-2A



Main material and finish: Black powder coated ZDC hinge, nickel-plated steel pin
Application: Opening angle 180°



ERP	Specification							Remarks
	A	B	C	D	E	F	G	
CL226Z1A001	36	60	16.5	8.4	8	15	8	Countersunk hole,ZDC
CL226Z1A006	36	60	16.5	8.4	8	15	8	Screw embeddedZDC
CL226S9C001	36	60	16.5	8.4	8	15	8	Countersunk hole,stainlesssteel
CL226Z1A009	30	50	12.5	6.3	6	11.5	6	Countersunk hole,ZDC
CL226Z1A010	30	50	Refer to detailed drawing	Refer to detailed drawing	6	11.5	6	Screw embedded,ZDC
CL226Z1A011	30	50			6	11.5	6	Step hole,ZDC
CL226N00001	30	50	12.5	6.3	6	11.5	6	Countersunk hole,PA
CL226S4B001	30	50	12.5	6.3	6	11.5	6	Countersunk hole,stainlesssteel
CL226Z1A015	25	40	10.2	5.3	5	9	4	Countersunk hole,ZDC
CL226Z1A017	25	40	10.2	5.3	5	9	4	Screw embedded ZDC

CL226-4A



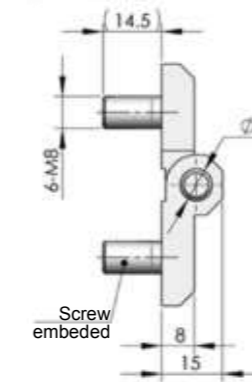
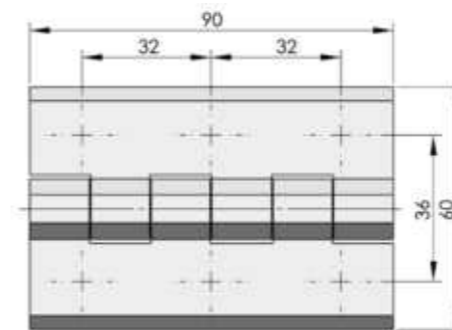
Main material and finish: Black powder coated ZDC hinge, nickel-plated steel shaft
Application: Opening degree 180°

CL226-5A



Main material and finish: Black powder coated ZDC hinge, nickel-plated steel pin
Application: Opening angle 180°

ERP	Specification								Remarks
	A	B	C	D	E	F	G	H	
CL226Z1A019	90	60	36	18	44	8	8	15	∅8.4 Countersunkhole,ZDC
CL226Z1A020	90	60	36	18	44	8	8	15	M8 Screw embedded,ZDC
CL226Z1A021	63	50	30	15	28	6	6	11.5	∅6.3 Countersunk hole, stainless steel
CL226Z1A022	63	50	30	15	28	6	6	11.5	M6 Screw embeddedZDC



	LH	RH
ERP	CL226Z1A024	CL226Z1A025

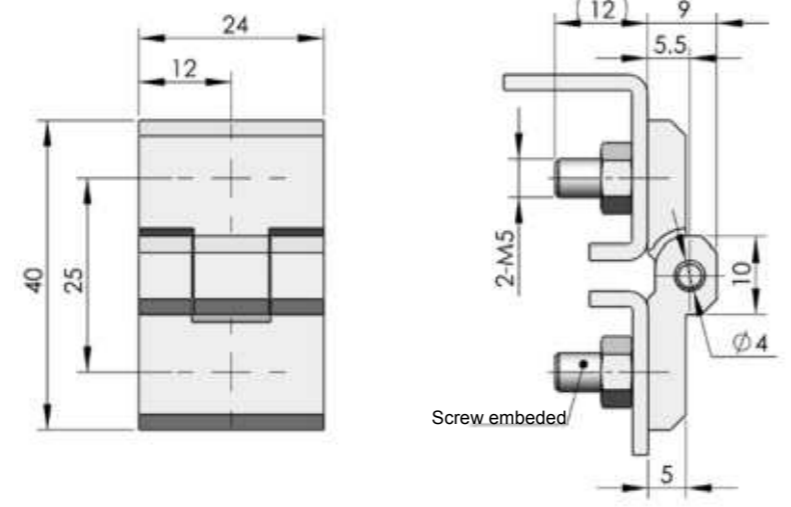
Accessories
 Handle lock
 Cylinder lock
 Electronic lock
 Plane lock
 Rod control lock
 Panel lock
 Toggle and hook
 Handles
 Door stop
Hinge
 Seal gasket

Accessories
 Handle lock
 Cylinder lock
 Electronic lock
 Plane lock
 Rod control lock
 Panel lock
 Toggle and hook
 Handles
 Door stop
Hinge
 Seal gasket

CL226-6A



Main material and finish: Black powder coated ZDC hinge, nickel-plated steel shaft
Application: Opening angle 180°

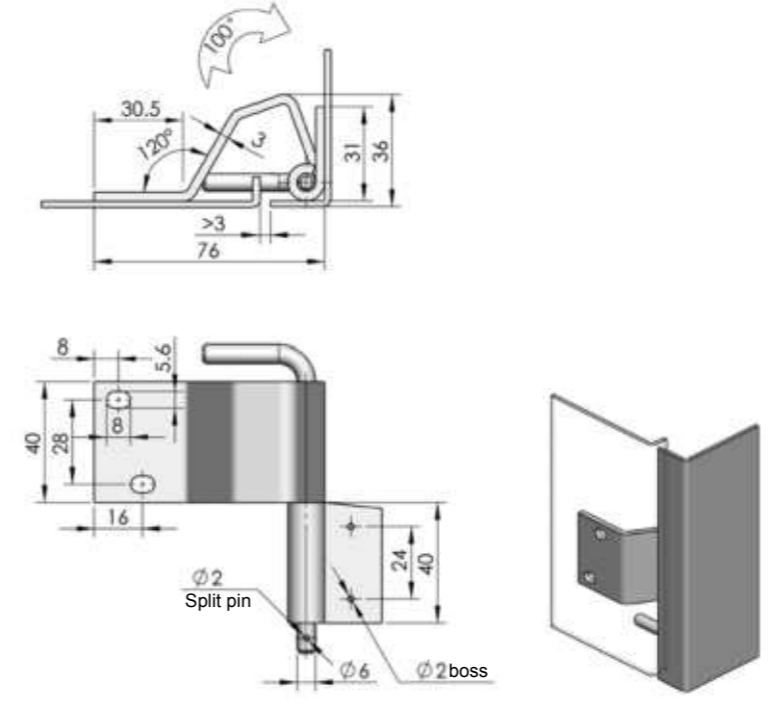


ERP CL226Z1A026

CL229



Main material and finish: White zinc-plated steel hinge
Application: Opening angle 180°

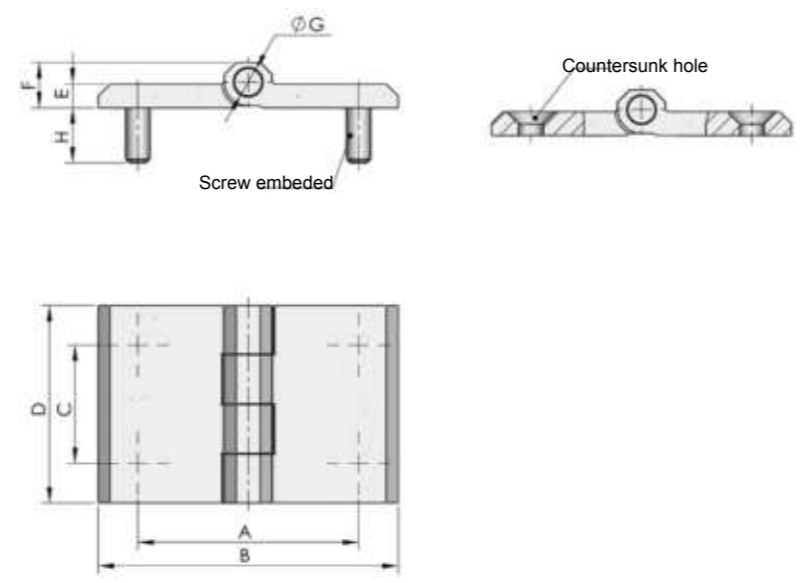


ERP CL229F3D001

**CL226-7
 CL226-7A**



Main material and finish: Black powder coated ZDC hinge, nickel-plated steel pin
Application: Opening angle 180°

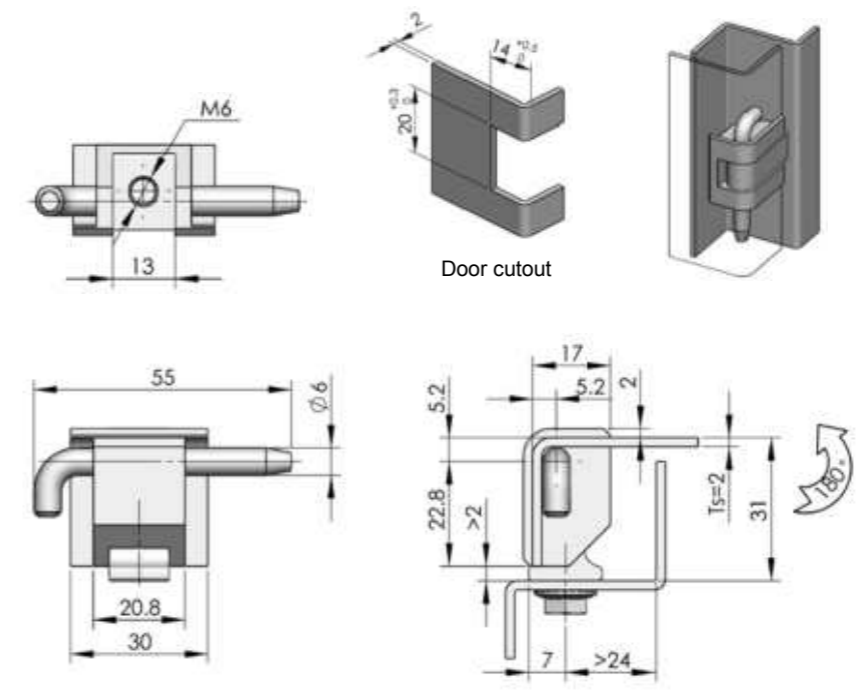


ERP	Specification								Remarks
	A	B	C	D	E	F	G	H	
CL226Z1A028	56	76	30	50	6	11.5	6		Ø 6.3 Countersunk hole, ZDC
CL226Z1A029	56	76	30	50	6	11.5	6	12.5	M6 Screw embedded ZDC
CL226Z1A034	88	120	36	60	8	15	8		Ø 6.8 Countersunk hole, ZDC
CL226Z1A030	88	120	36	60	8	15	8	16.5	M8 Screw embedded ZDC

CL230-3



Main material and finish: Black powder coated ZDC hinge, nickel-plated steel pin
Application: Opening angle 180°



Remarks: Nylon pin optional, details refer to CL230

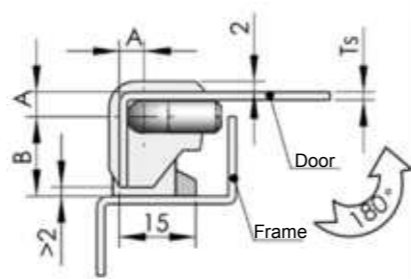
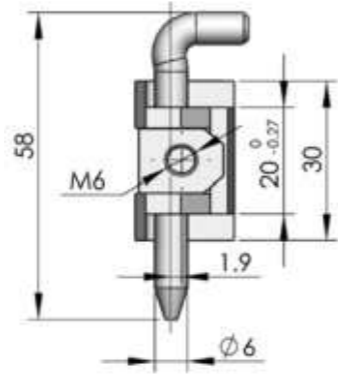
ERP CL230Z1A026

Accessories
 Handle lock
 Cylinder lock
 Electronic lock
 Plane lock
 Rod control lock
 Panel lock
 Toggle and hook
 Handles
 Door stop
Hinge
 Seal gasket

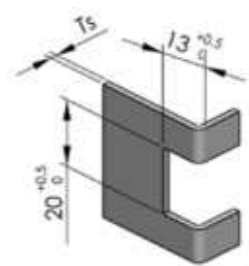
CL230



Main material and finish: Black powder coated ZDC hinge, nickel-plated steel pin
Application: Opening angle 180°

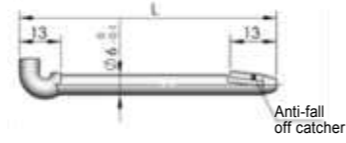


CL230



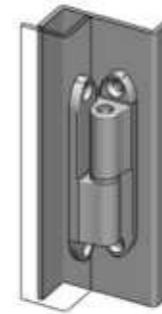
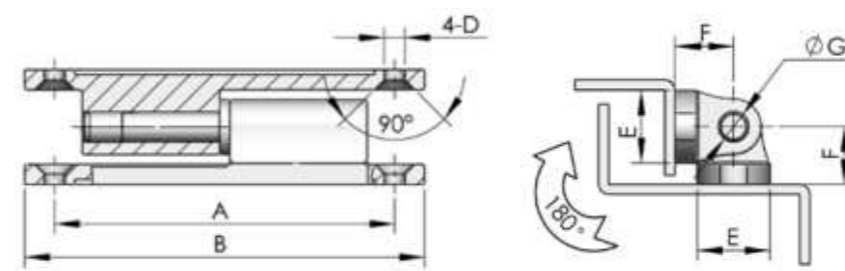
Door cutout

Nylon pin (Optional)

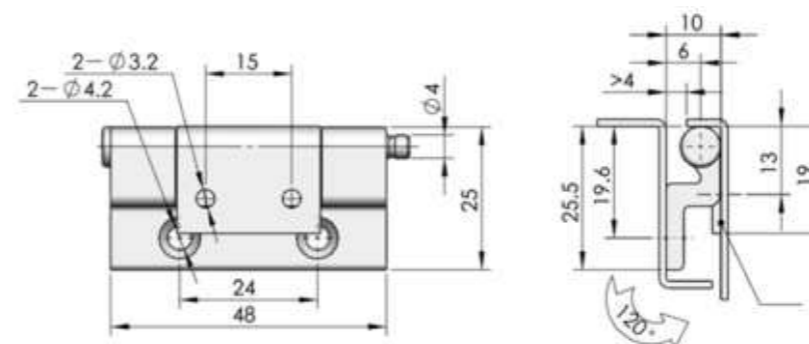


Part No.	L
PN001	57
PN002	78

ERP	Specification		
	Door thickness Ts	A	B
CL230Z1A001	Ts=1.5	4.6	15
CL230Z1A013	Ts=2	5.1	15
CL230Z1A004	Ts=1.5	4.6	17
CL230Z1A016	Ts=2	5.1	17
CL230Z1A007	Ts=1.5	4.6	19
CL230Z1A019	Ts=2	5.1	19



ERP	Specification						
	A	B	C	D	E	F	G
CL231Z3A001	68	80	\phi 8	\phi 4.2	14.5	11.5	\phi 6



ERP	CL232Z3H001
-----	-------------

CL231-1



Main material and finish: Bright chrome plated ZDC hinge, nickel-plated steel pin, brass gasket
Application: Opening angle 180°

CL232

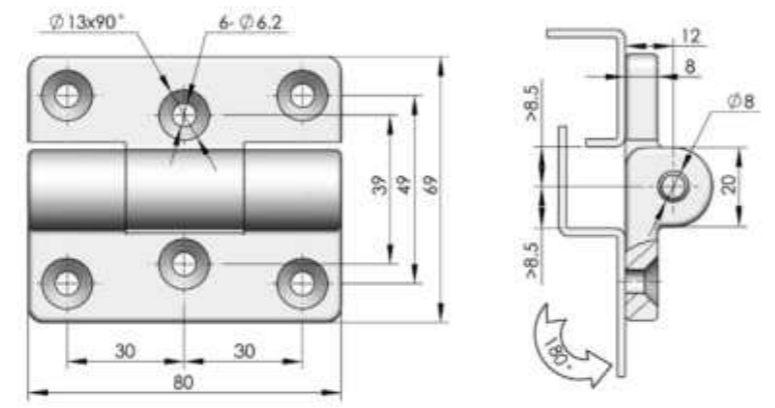


Main material and finish: Sand-spraying and bright chrome-plated ZDC female hinge, white zinc-plated steel male hinge, nickel plated steel pin
Application: Opening angle 120°

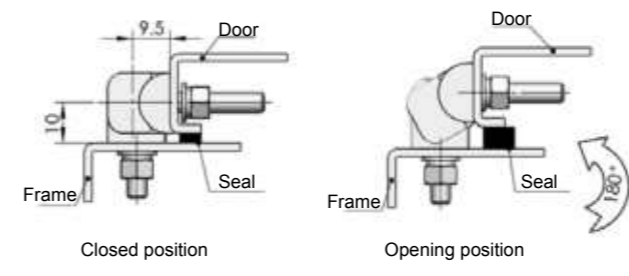
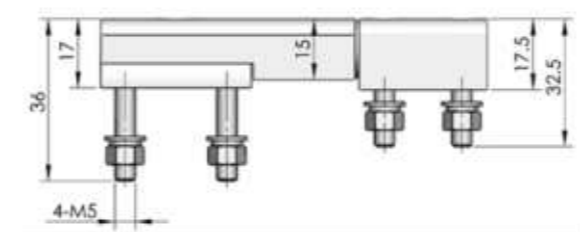
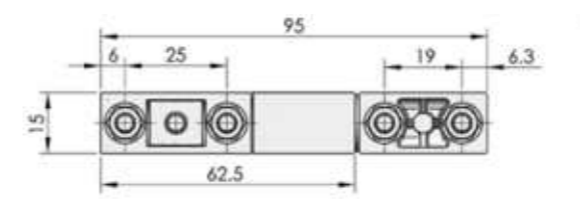


CL233

Main material and finish: Electrolysis or polishing stainless steel hinge
Application: Opening angle 120°



	Electrolysis	Polishing
ERP	CL233S9C001	CL233S4B001



ERP	CL235Z1B001
-----	-------------



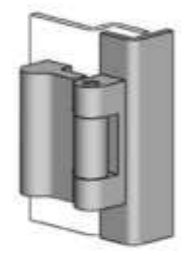
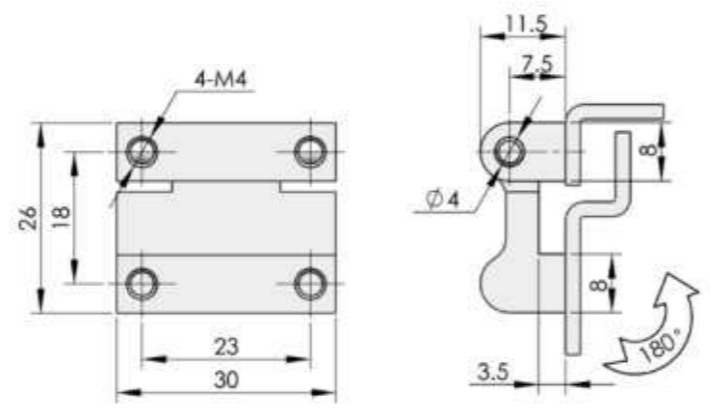
CL235

Main material and finish: Pocked black powder screw
Application: Opening angle 180°

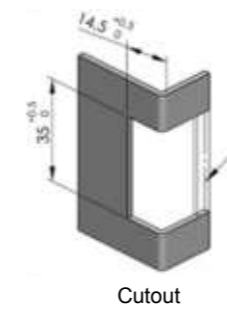
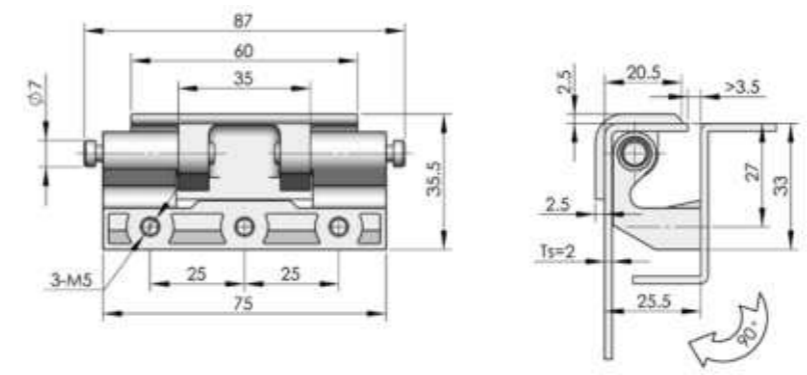


CL234

Main material and finish: Black powder coated ZDC hinge, nickel-plated steel pin
Application: Opening angle 180°



	Black powder coated	Nanometer painted
ERP	CL234Z1A001	CL234Z2B001



Dotted line can be removed

	Black painted	Nanometer painted
ERP	CL236Z2A001	CL236Z2B001



CL236

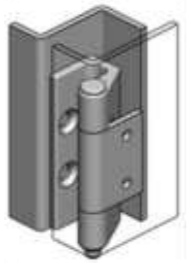
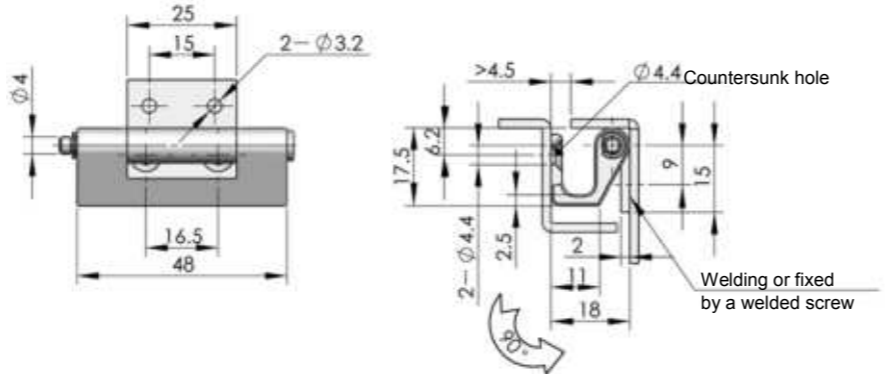
Main material and finish: Black painted ZDC hinge, white zinc-plated steel pin
Application: Opening angle 180°

Accessories
Handle lock
Cylinder lock
Electronic lock
Plane lock
Rod control lock
Panel lock
Toggle and hook
Handles
Door stop
Hinge
Seal gasket

CL237



Main material and finish: Sand-spraying and bright chrome-plated ZDC female hinge, white zinc-plated steel male hinge, nickel plated steel pin
Application: Opening angle 90°

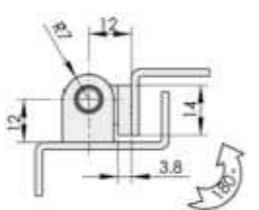
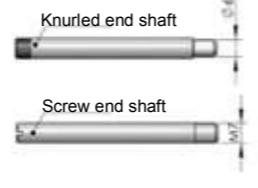
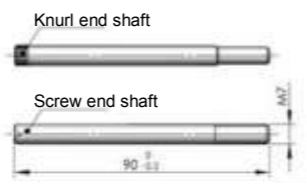
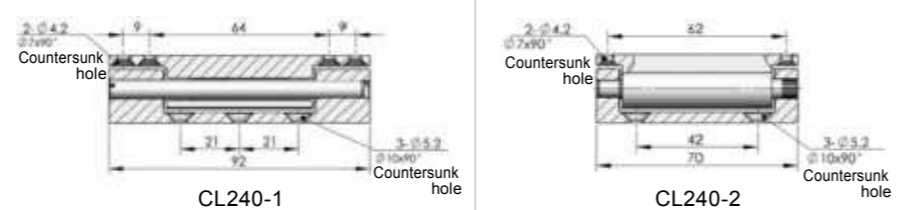


	Sand-spraying and bright chrome-plated	Sand-spraying and nickel-plated
ERP	CL237Z3H001	CL237Z3I001

CL240-1 CL240-2



Main material and finish: Oxidation aluminum alloy hinge, nickel-plated steel pin
Application: Opening angle 180°

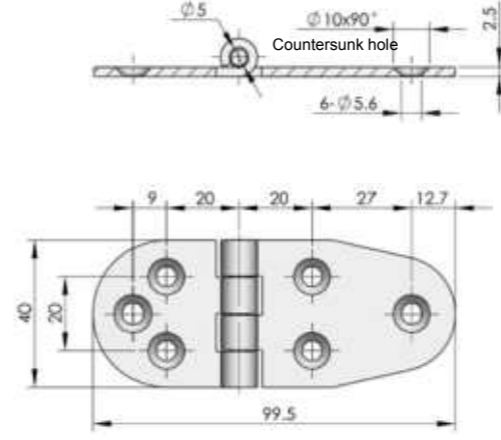


Item	ERP	Specification
CL240-1	CL240A9A001	With knurl end shaft
CL240-1D	CL240A9A002	With screw end shaft
CL240-2	CL240A9A003	With knurl end shaft
CL240-2D	CL240A9A004	With screw end shaft

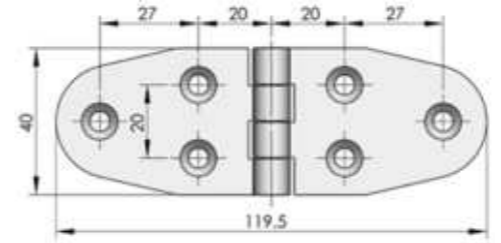
CL238



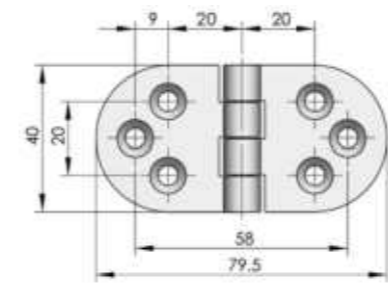
Main material and finish: Electrolysis stainless steel hinge
Application: Opening angle 180°



ERP	CL238S9C001
-----	-------------



ERP	CL238S9C002
-----	-------------



ERP	CL238S9C003
-----	-------------

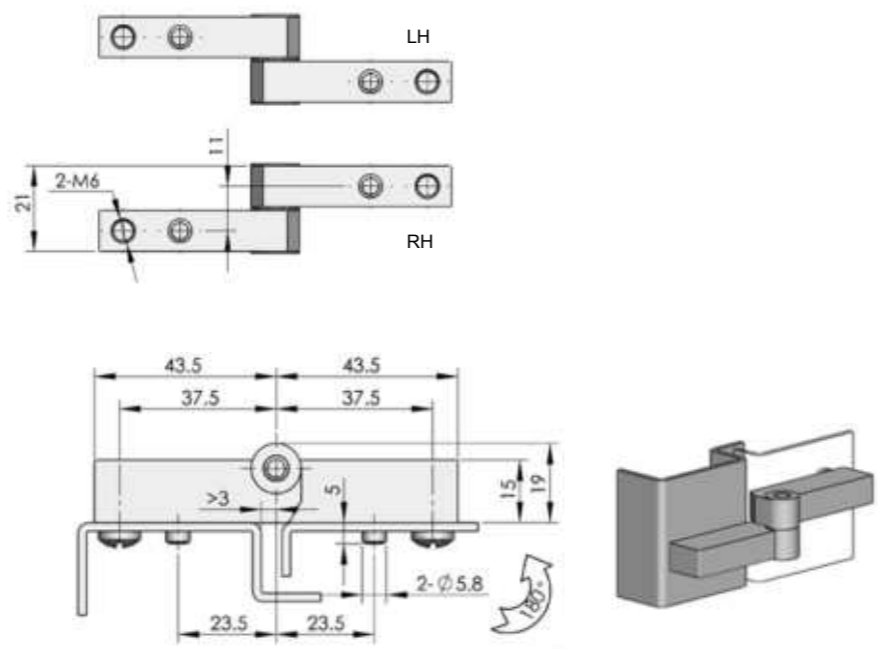
Accessories
Handle lock
Cylinder lock
Electronic lock
Plane lock
Rod control lock
Panel lock
Toggle and hook
Handles
Door stop
Hinge
Seal gasket

Accessories
Handle lock
Cylinder lock
Electronic lock
Plane lock
Rod control lock
Panel lock
Toggle and hook
Handles
Door stop
Hinge
Seal gasket

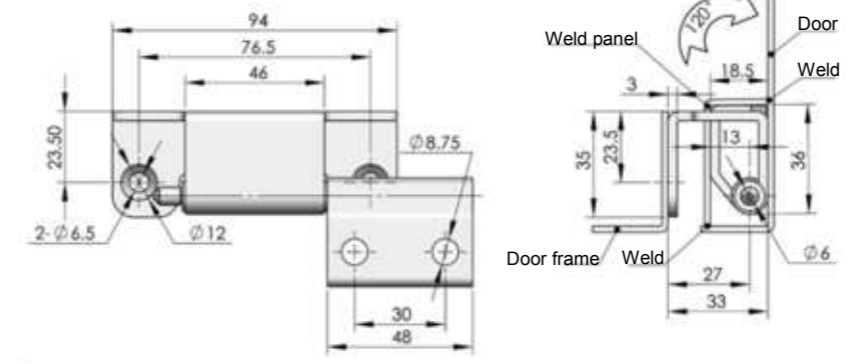


CL242

Main material and finish: Pocked black powder coated ZDC hinge, nickel plated steel pin
Application: Opening angle 180°



	LH	RH
ERP	CL242Z1B001	CL242Z1B002



ERP	CL244F3D001
-----	-------------



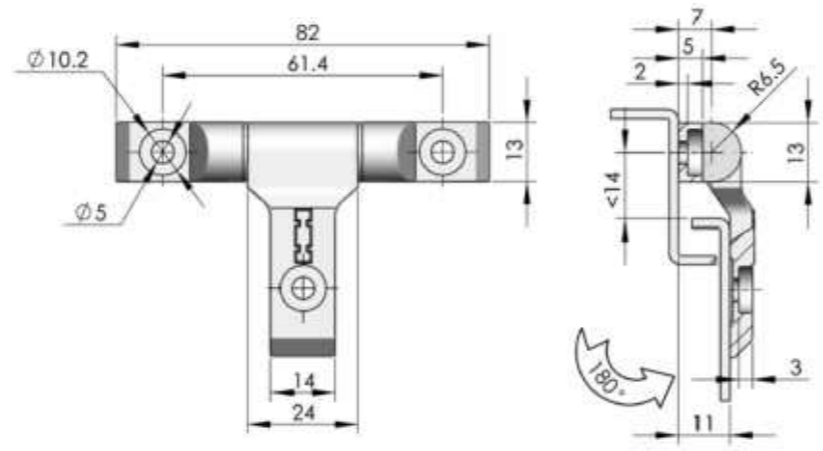
CL244

Main material and finish: White zinc plated steel hinge and pin
Application: Opening angle 120°

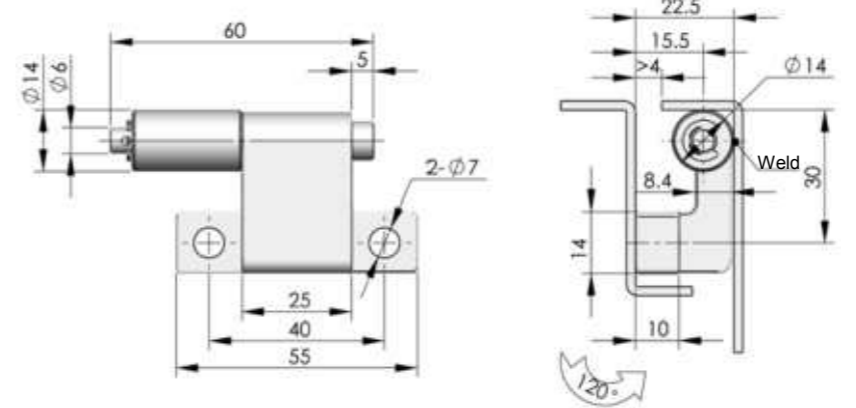


CL243

Main material and finish: ZDC hinge, nickel-plated steel pin, plastic gasket
Application: Opening angle 180°



	Black powder coated	Pocked black powder coated	Nanometer painted
ERP	CL243Z1A001	CL243Z1B001	CL243Z2B001



ERP	CL246Z3H001
-----	-------------



CL246

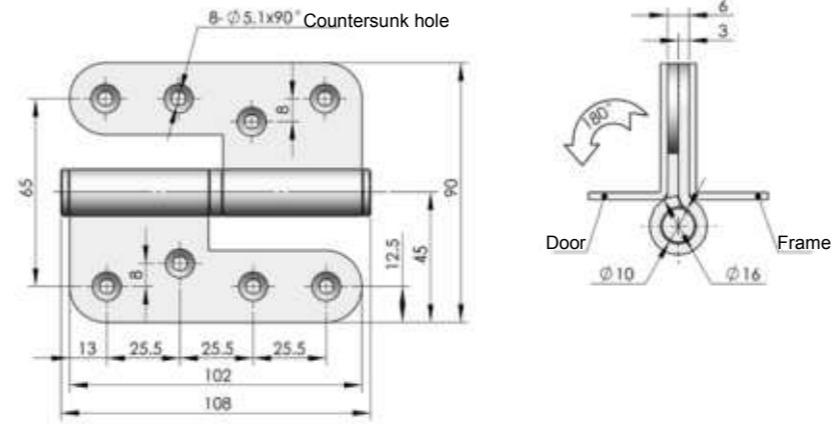
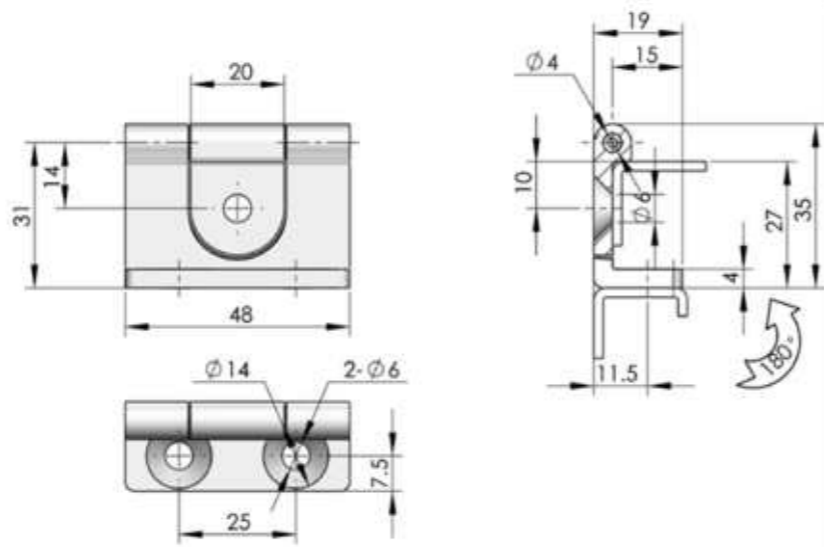
Main material and finish: Sand-spraying and bright chrome-plated ZDC hinge, white zinc-plated steel pin
Application: Opening angle 120°

Accessories
Handle lock
Cylinder lock
Electronic lock
Plane lock
Rod control lock
Panel lock
Toggle and hook
Handles
Door stop
Hinge
Seal gasket

CL247



Main material and finish: Black powder coated ZDC hinge, white zinc-plated steel pin
Application: Opening angle 180°



Specification	ERP	
	LH	RH
white zinc-plated steel hinge	CL249F3D001	CL249F3D002
stainless steel hinge	CL249S4B004	CL249S4B003

CL249

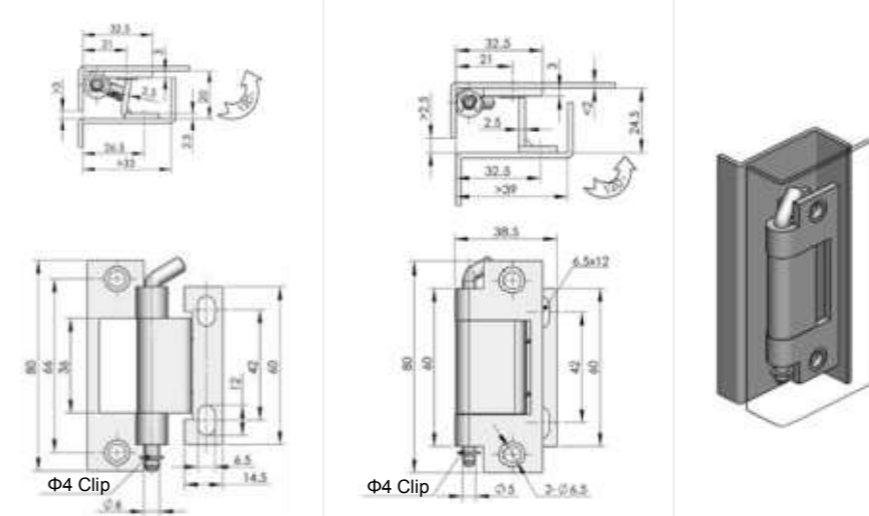
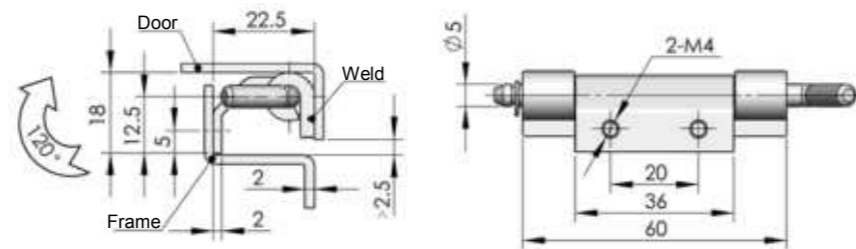


Main material and finish: Steel or stainless steel hinge
Application: Opening angle 180°

CL248



Main material and finish: White zinc plated steel and pin
Application: Opening angle 120°



CL250-1

CL250-2

ERP	
CL250-1 CL250F3D001	CL250-2 CL250F3D002

**CL250-1
CL250-2**

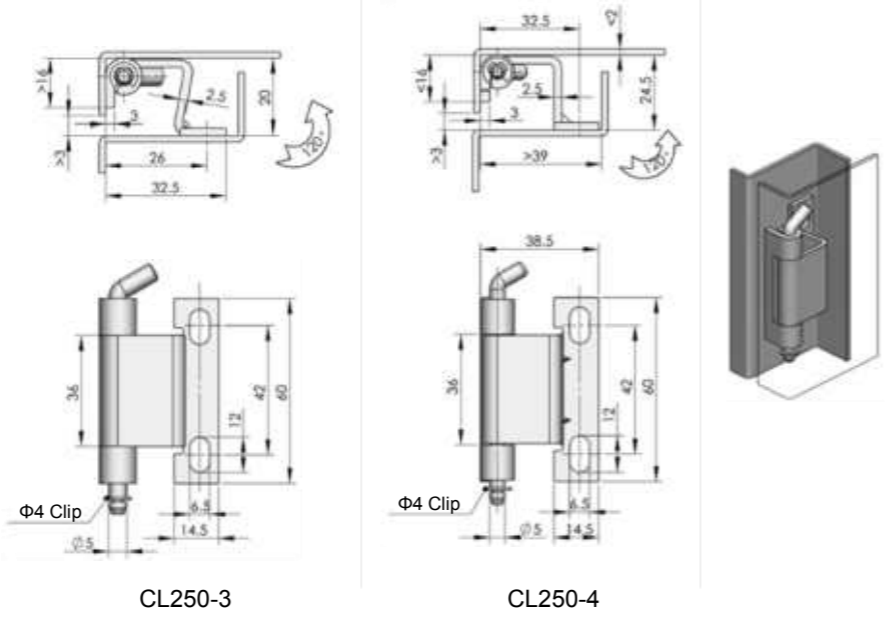


Main material and finish: White zinc plated steel hinge and pin

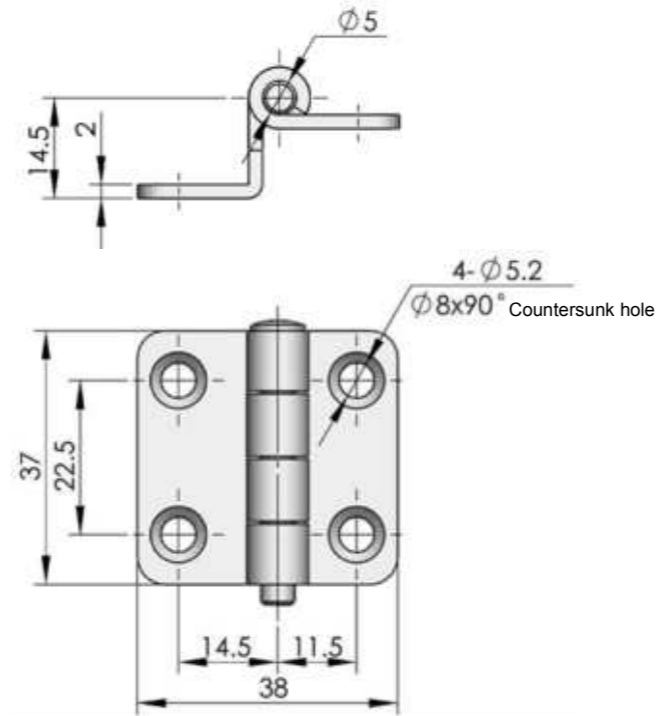
**CL250-3
CL250-4**



Main material and finish: White zinc plated steel hinge and pin
Application: Opening angle 120°



ERP	
CL250-3	CL250-4
CL250F3D001	CL250F3D002



ERP	CL252S00001
-----	-------------

CL252

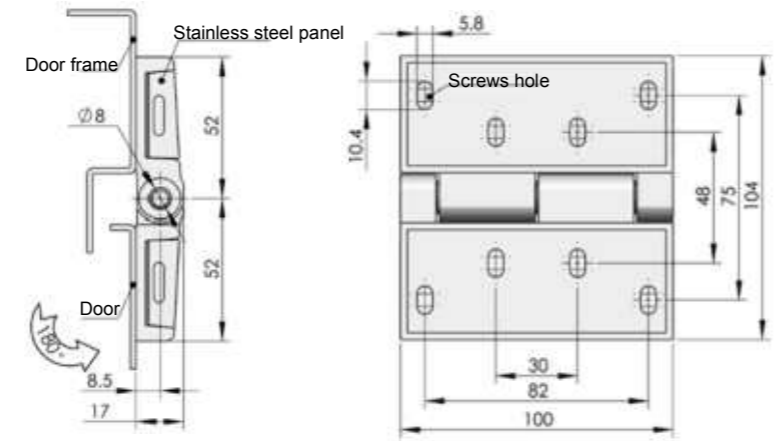


Main material and finish: Stainless steel hinge
Application: Opening angle 180°

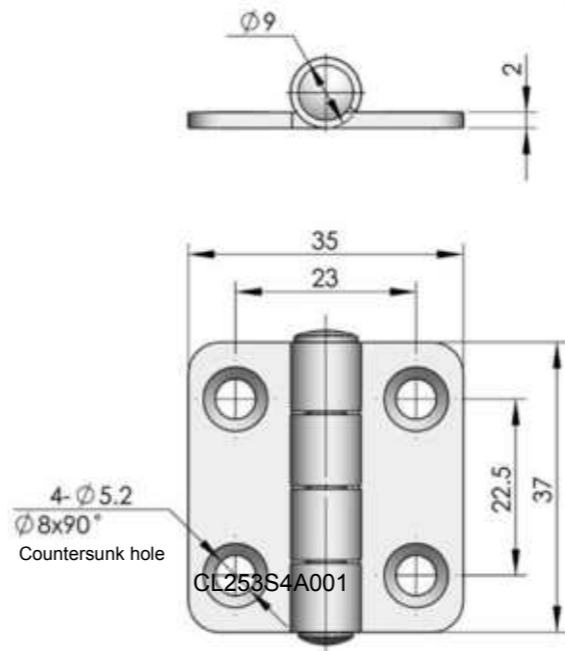
CL251



Main material and finish: Sand-spraying and bright chrome-plated ZDC hinge, stainless steel pin and cover
Application: Opening angle 180°



ERP	CL251Z3H001
-----	-------------



ERP	CL253S4A001
-----	-------------

CL253-1



Main material and finish: Mirror polishing stainless steel hinge
Application: Opening angle 180°

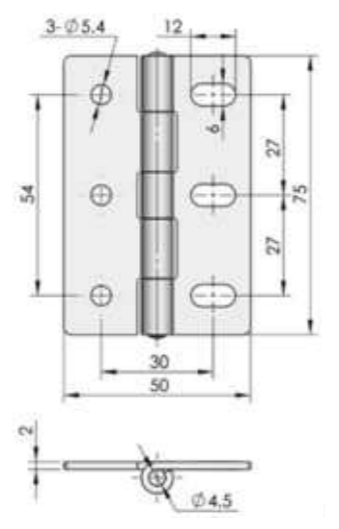
Accessories
Handle lock
Cylinder lock
Electronic lock
Plane lock
Rod control lock
Panel lock
Toggle and hook
Handles
Door stop
Hinge
Seal gasket

**CL253-2
CL253-3**



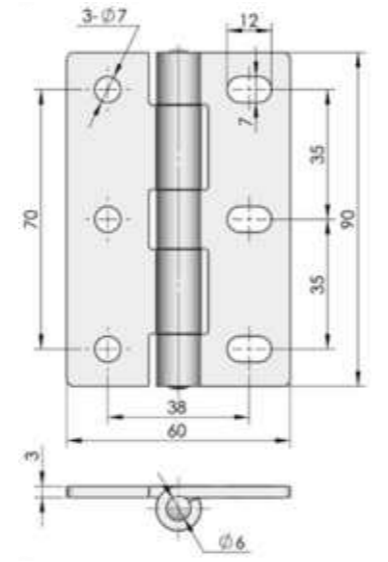
Main material and finish: Mirror polishing stainless steel hinge
Application: Opening angle 180°

CL253-2

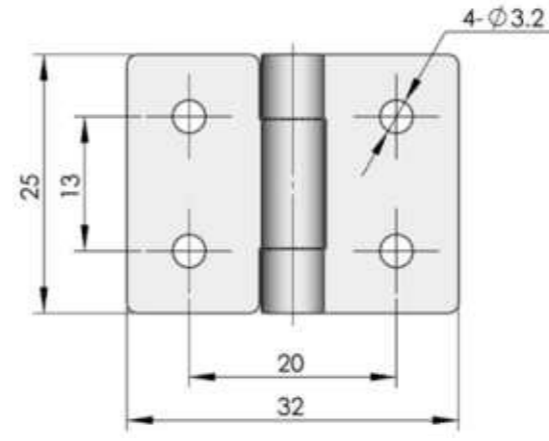
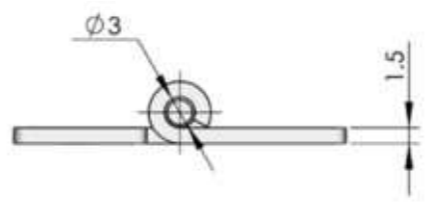


ERP CL253S4A002

CL253-3



ERP CL253S4A003



ERP CL253S4A011

CL253-4A

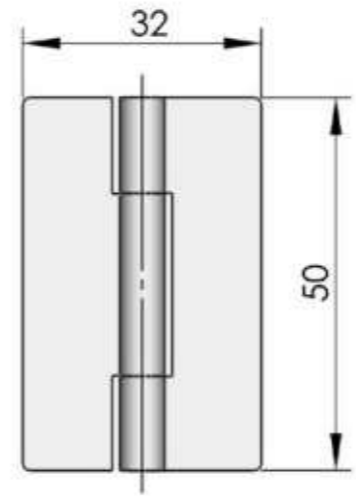
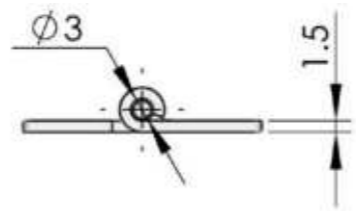


Main material and finish: Mirror polishing stainless steel hinge
Application: Opening angle 180°

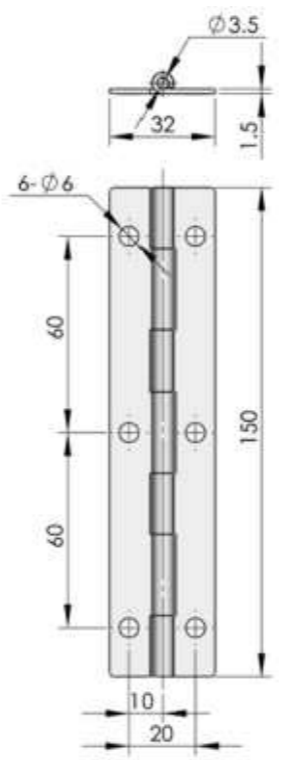
CL253-4



Main material and finish: Mirror polishing stainless steel hinge
Application: Opening angle 180°



ERP CL253S4A004



ERP CL253S4A005

CL253-5



Main material and finish: White zinc-plated steel hinge
Application: Opening angle 180°

Accessories
Handle lock
Cylinder lock
Electronic lock
Plane lock
Rod control lock
Panel lock
Toggle and hook
Handles
Door stop
Hinge
Seal gasket

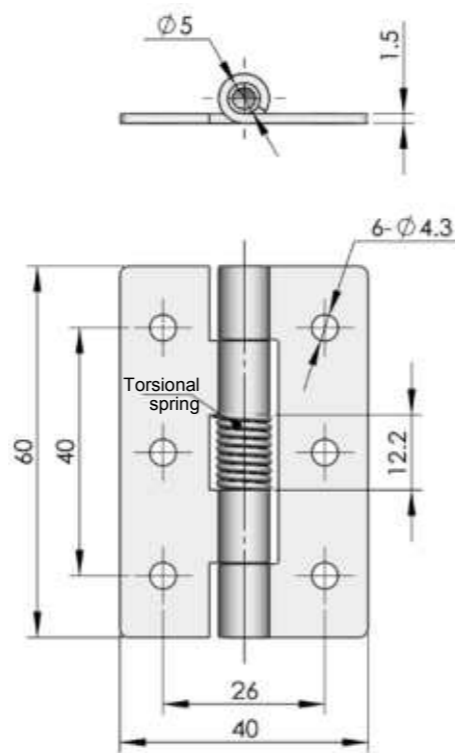
Accessories
Handle lock
Cylinder lock
Electronic lock
Plane lock
Rod control lock
Panel lock
Toggle and hook
Handles
Door stop
Hinge
Seal gasket

CL253-6

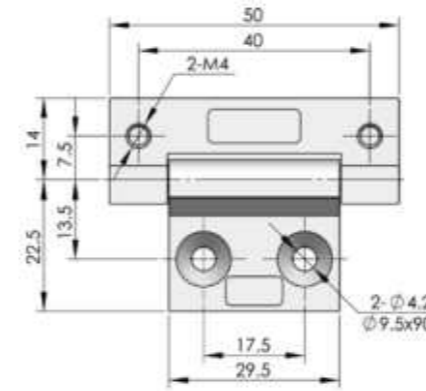


INOX
AISI 316

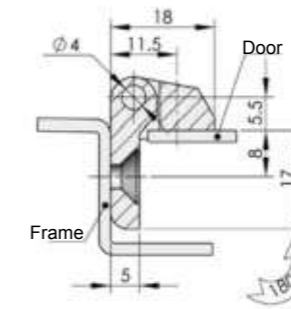
Main material and finish: Mirror polishing stainless steel hinge
Application: Opening angle 180°



ERP CL253S4A005



ERP CL254Z1A001



CL254



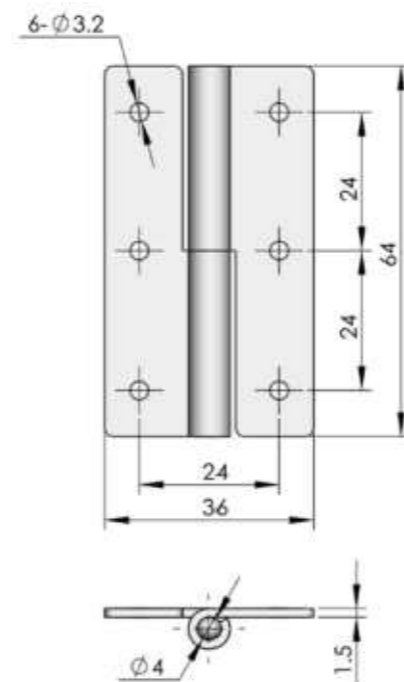
Main material and finish: Black powder coated ZDC hinge, nickel plated steel pin
Application: Opening angle 180°

CL253-7

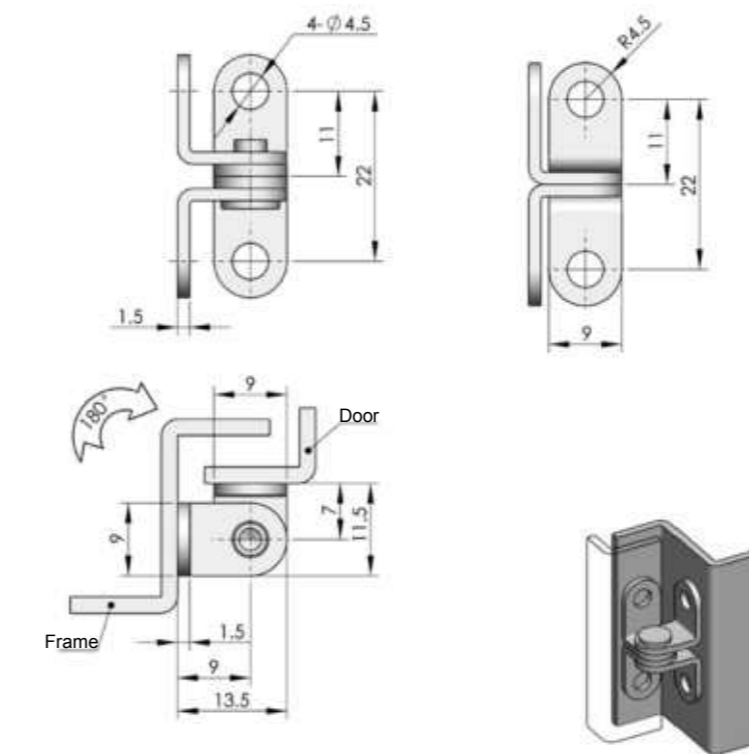


INOX
AISI 316

Main material and finish: Mirror polishing stainless steel hinge
Application: Opening angle 180°



	RH	LH
ERP	CL253S4A006	CL253S4A007

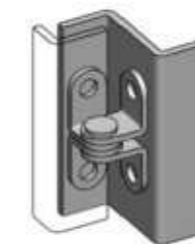


ERP

CL256



Main material and finish: White zinc-plated steel hinge
Application: Opening angle 120°

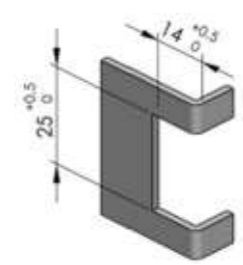
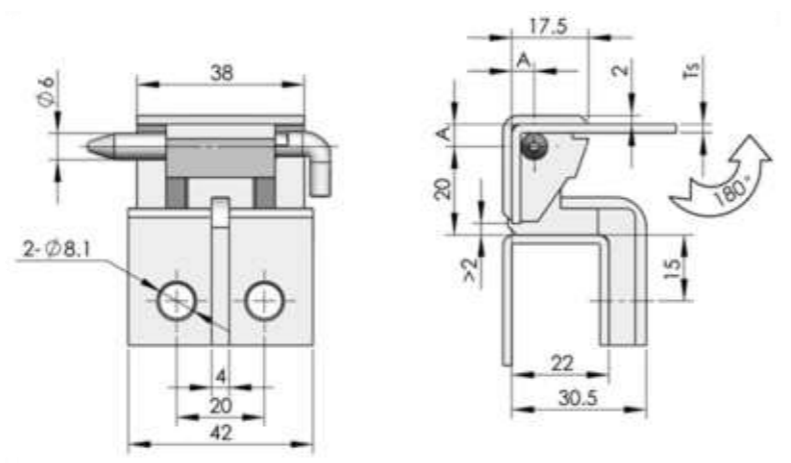


Accessories
Handle lock
Cylinder lock
Electronic lock
Plane lock
Rod control lock
Panel lock
Toggle and hook
Handles
Door stop
Hinge
Seal gasket

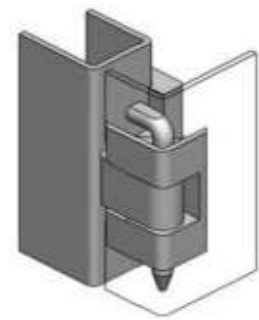
CL255



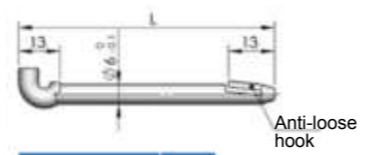
Main material and finish: Black powder coated hinge, nickel plated steel pin
Application: Opening angle 180°



Door cutout

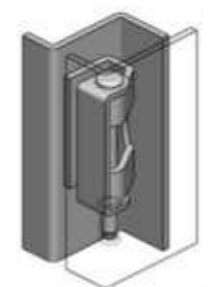
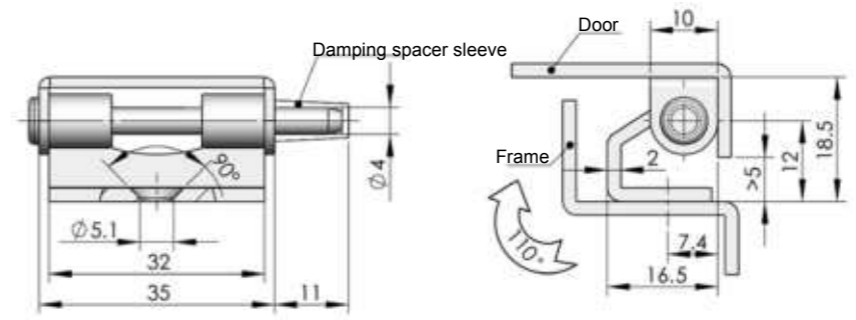


Nylon pin (Optional)

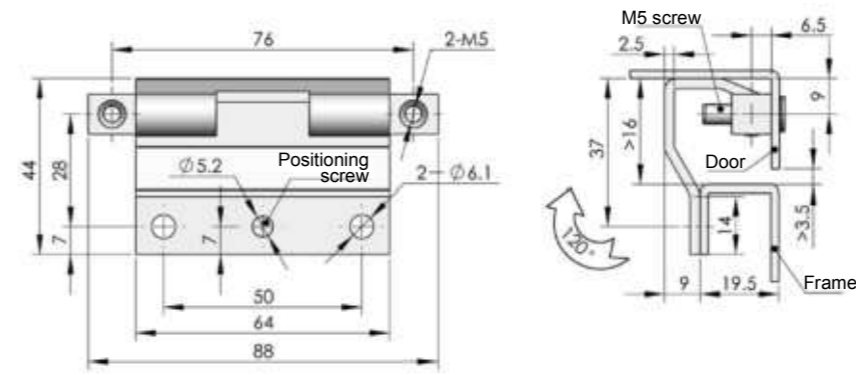


Part No.	L
PN001	57
PN002	78

ERP	Specification	A	Remarks
CL255Z1A001	Suitable door thickness Ts=2mm	5.1	ZDC hinge
CL255Z1A002	Suitable door thickness Ts=3mm	6.1	ZDC hinge
CL255Z1A003	Suitable door thickness Ts=1.5mm	4.6	ZDC hinge
CL255Z1A004	Suitable door thickness Ts=2mm	5.1	Steel female hinge
CL255Z1A005	Suitable door thickness Ts=3mm	6.1	Steel female hinge
CL255Z1A006	Suitable door thickness Ts=1.5mm	4.6	Steel female hinge



ERP CL257F3D001



ERP CL260F3D001

CL257



Main material and finish: White zinc-plated sleeve
Application: Opening angle 110°

CL260

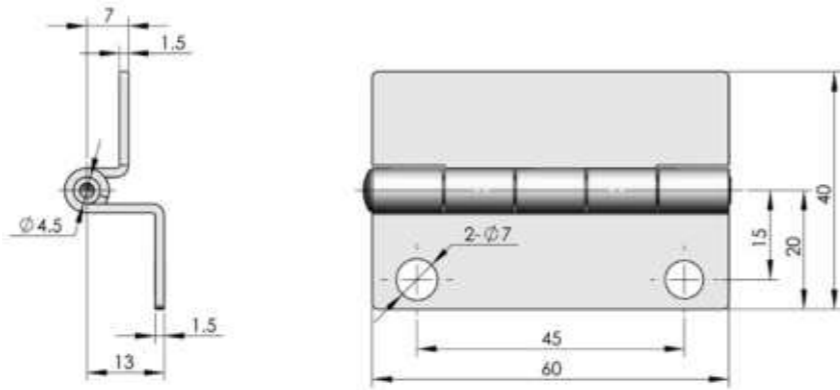


Main material and finish: White zinc-plated steel hinge
Application: Opening angle 120°

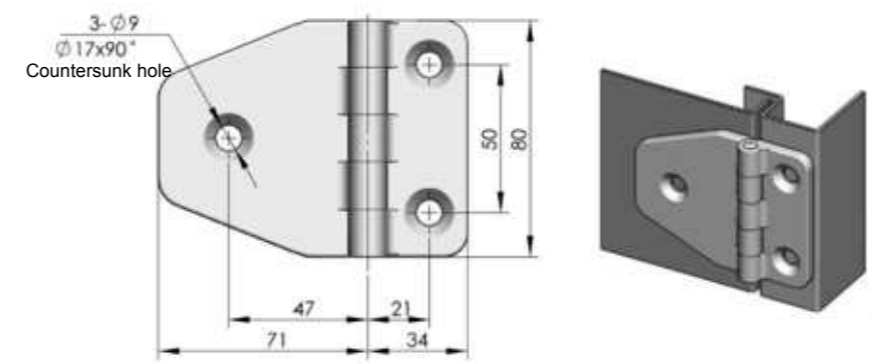
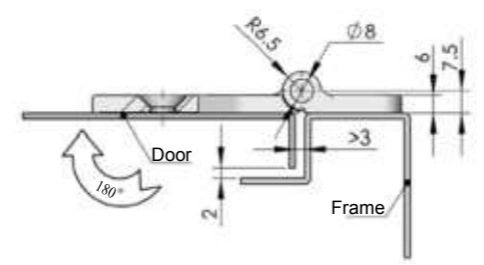
CL261



Main material and finish: White zinc-plated steel hinge
Application: Opening angle 180°



ERP CL261F3D001



ERP CL148N00001

CL148

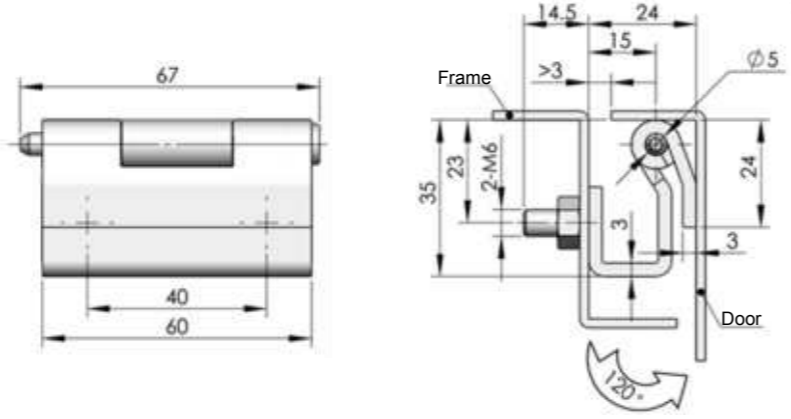


Main material and finish: White zinc-plated steel shaft, PA (black) hinge leaf
Application: Opening angle 180°

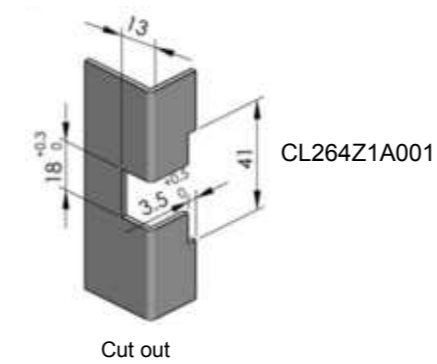
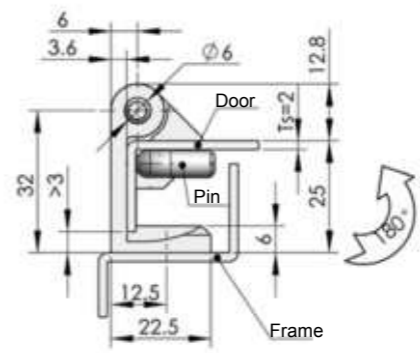
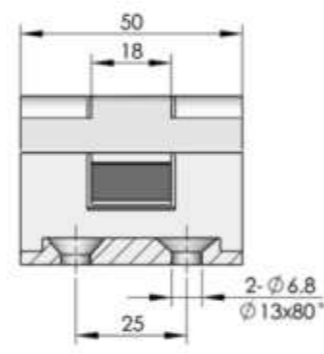
CL262



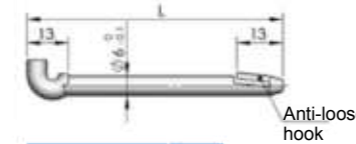
Main material and finish: White zinc-plated steel hinge
Application: Opening angle 120°



ERP CL262F3D001



Nylon pin (Optional)



Part No.	L
PN001	57
PN002	78

Cut out

CL264



Main material and finish: Black powder coated ZDC hinge, stainless steel gasket, nickel plated steel pin
Application: Opening angle 180°

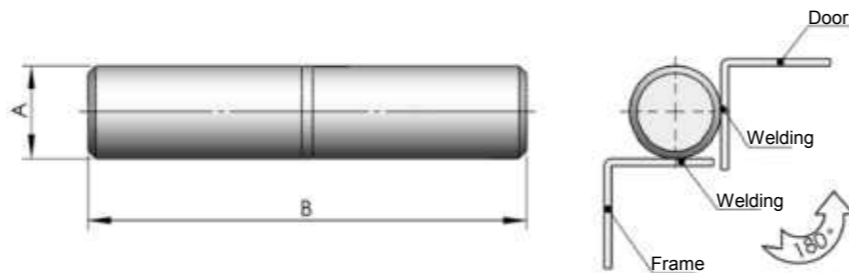
ERP CL262F3D001

Cut out

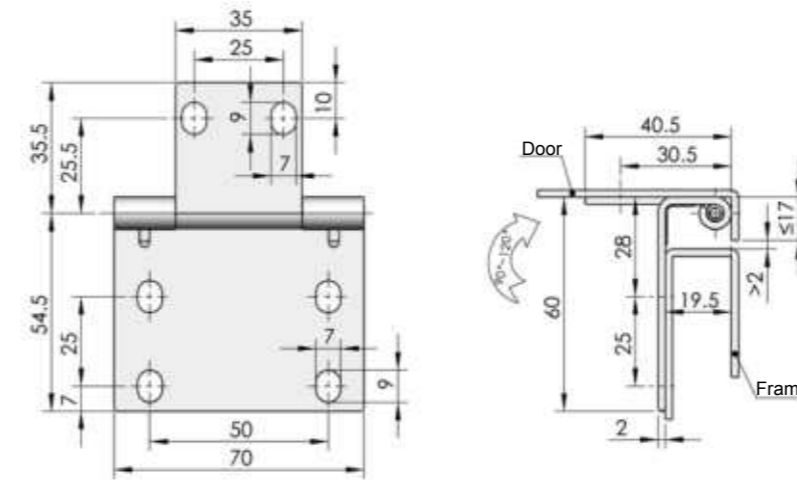
CL270



Main material and finish: White zinc-plated steel hinge



ERP	A	B	C
CL270F3D001	d26	150	75
CL270F3D002	d25	120	60
CL270F3D003	d14	120	60
CL270F3D004	d10	60	30



ERP CL273F3D001

CL273

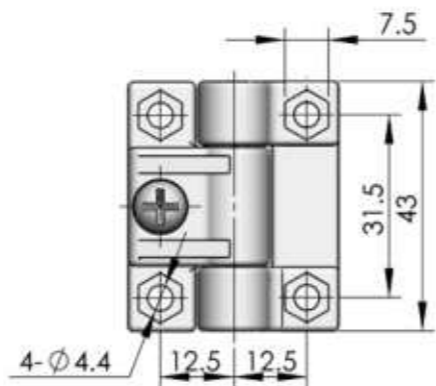
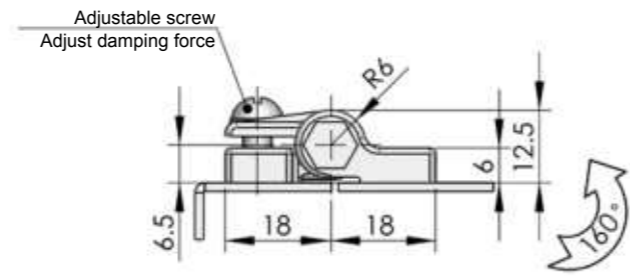


Main material and finish: White zinc-plated steel hinge
Application: Opening

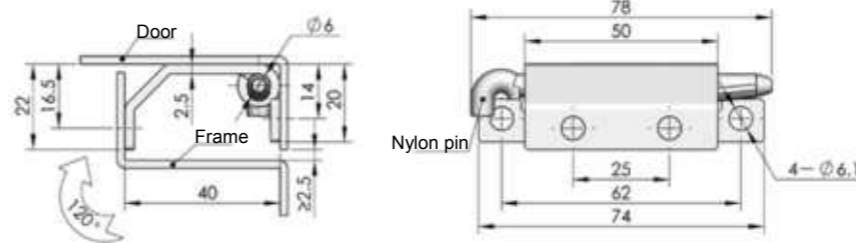
CL272



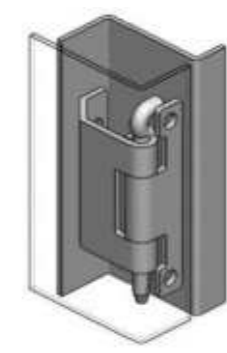
Main material and finish: Black PA hinge, steel screw, PC shaft
Application: Opening angle 160°



ERP CL272N00001



CL274F3D001



CL274



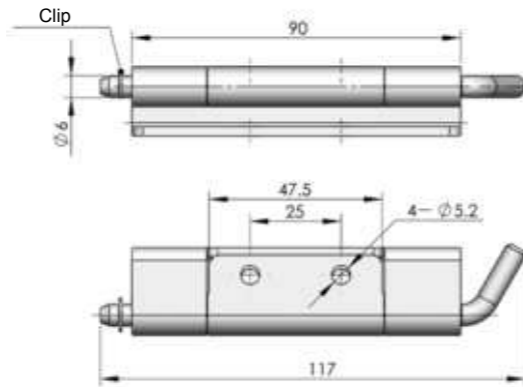
Main material and finish: White zinc-plated steel hinge
Application: Opening angle 120°

Accessories
 Handle lock
 Cylinder lock
 Electronic lock
 Plane lock
 Rod control lock
 Panel lock
 Toggle and hook
 Handles
 Door stop
Hinge
 Seal gasket

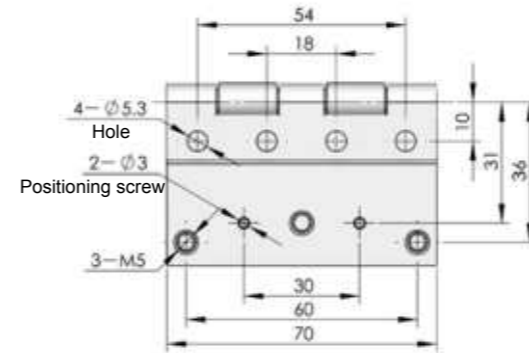
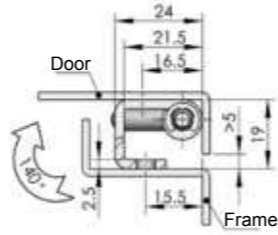
CL283-4



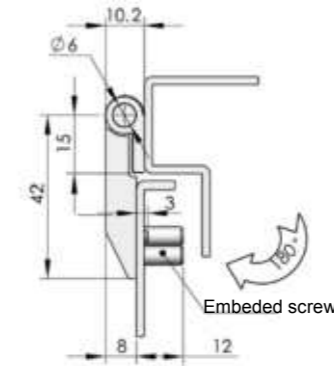
Main material and finish: Stainless steel hinge and pin
Application: Opening angle 140°



ERP CL283S00003



ERP Black powder coated CL289Z1A001 Black painted CL289Z2A001 Nanometer painted CL289Z2B001



CL289



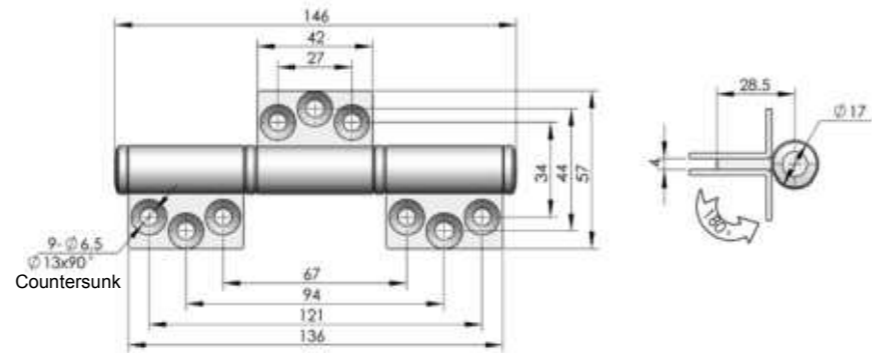
Main material and finish: ZDC female part
Application: Opening angle 180°

Accessories
 Handle lock
 Cylinder lock
 Electronic lock
 Plane lock
 Rod control lock
 Panel lock
 Toggle and hook
 Handles
 Door stop
Hinge
 Seal gasket

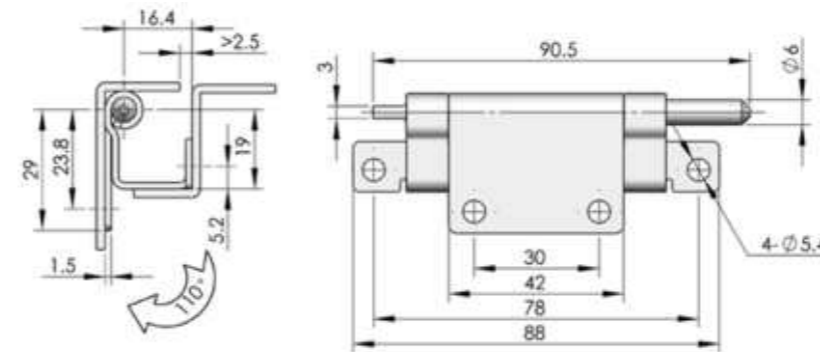
CL288



Main material and finish: Stainless steel hinge
Application: Opening angle 180°



ERP CL288S00001



CL290S00001



CL290



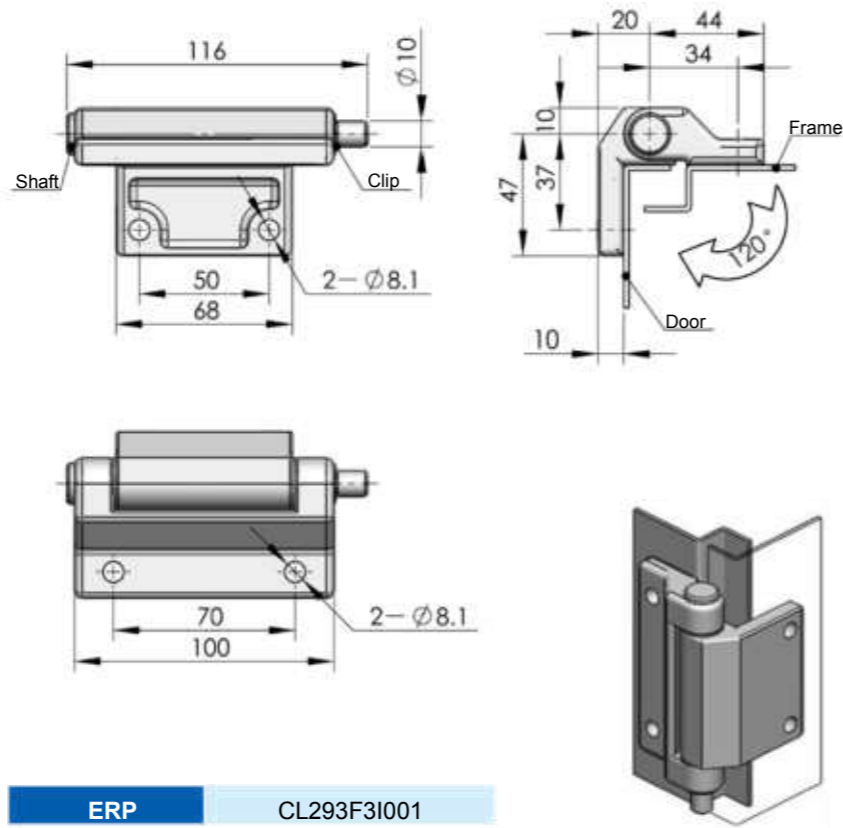
Main material and finish: Stainless steel hinge
Application: Opening angle 110°

Accessories
Handle lock
Cylinder lock
Electronic lock
Plane lock
Rod control lock
Panel lock
Toggle and hook
Handles
Door stop
Hinge
Seal gasket

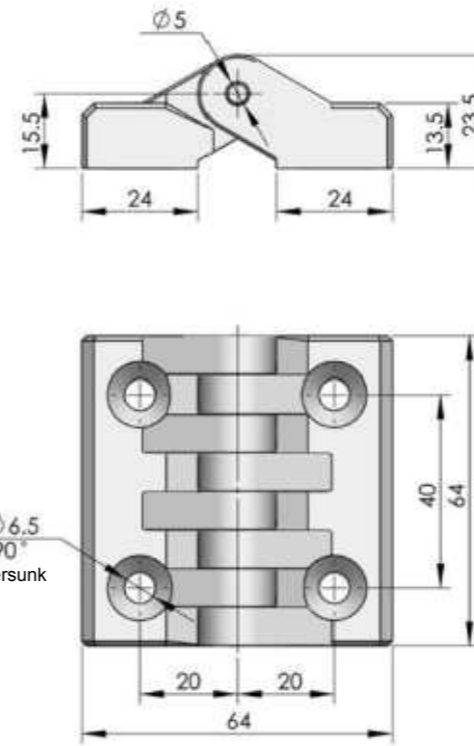
CL293



Main material and finish: Sand-spraying and nickle-plated casting steel hinge
Application: Opening angle 120°



ERP CL293F3I001



ERP CL295N00001

CL295



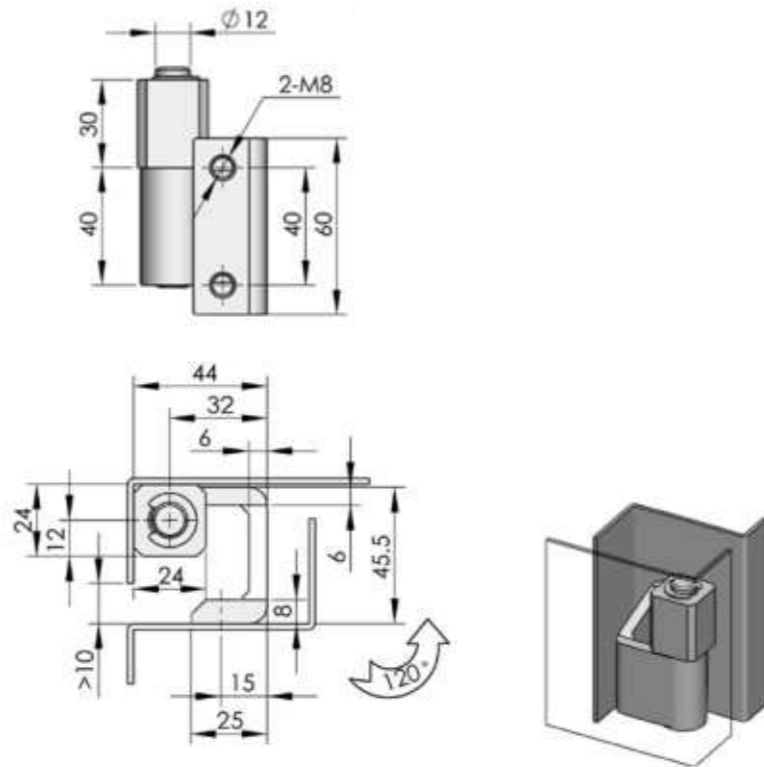
Main material and finish: Black PA hinge, white zinc plated steel pin
Application: Opening angle 180°

CL294

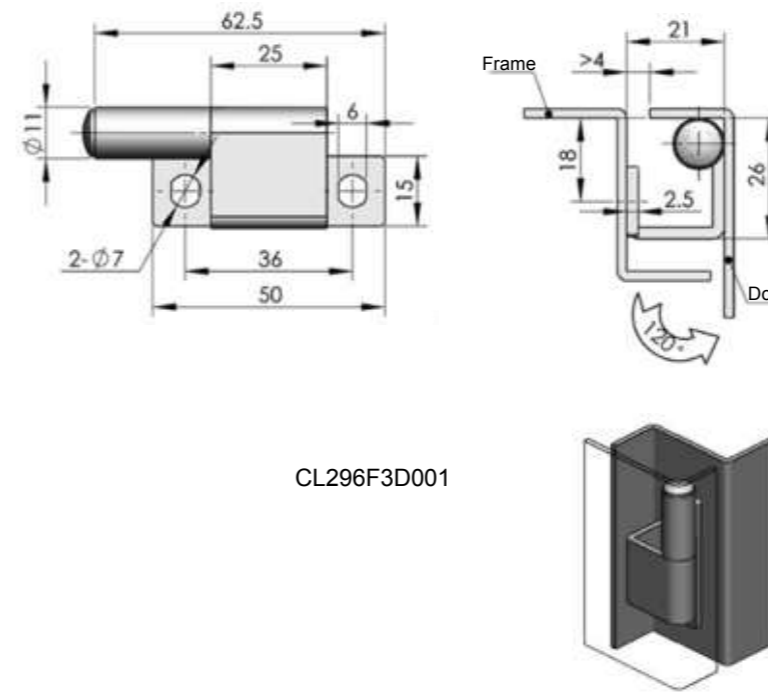


INOX
AISI 3..

Main material and finish: Stainless steel hinge
Application: Opening angle 120°



ERP CL294S00001



CL296F3D001

CL296



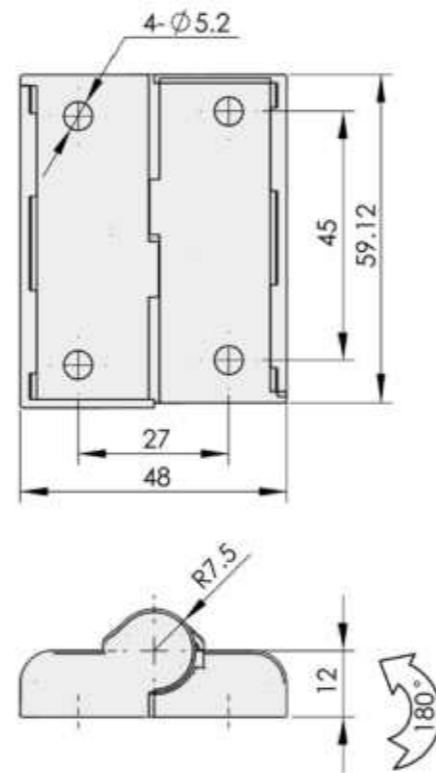
Main material and finish: White zinc-plated steel hinge
Application: Opening angle 120°

Accessories
 Handle lock
 Cylinder lock
 Electronic lock
 Plane lock
 Rod control lock
 Panel lock
 Toggle and hook
 Handles
 Door stop
Hinge
 Seal gasket

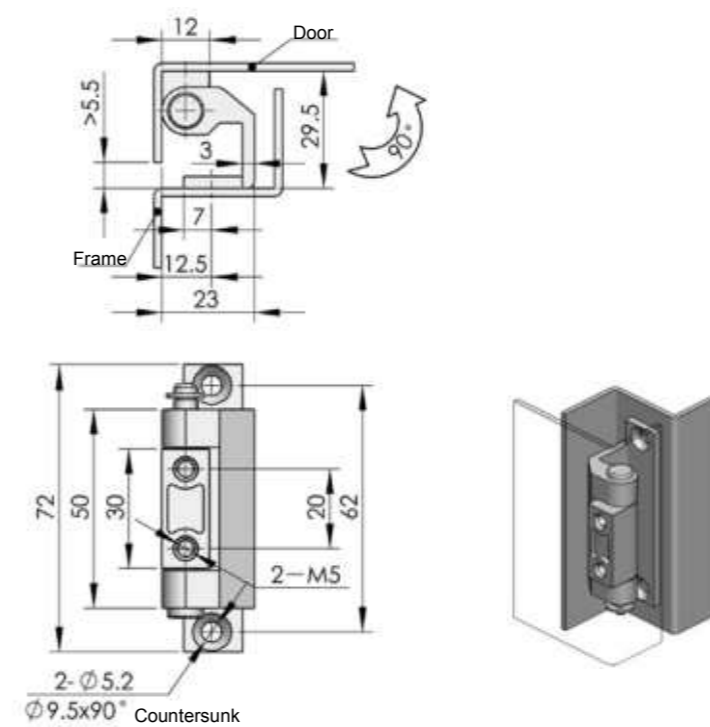
CL299-1-Z



Main material and finish: Nanometer painted ZCD hinge and stainless steel shaft
Application: Opening angle 180°



ERP	CL299Z2B001
-----	-------------



	Nanometer painted	Black powder coated
ERP	CL332Z2B001	CL332Z1A001

CL332

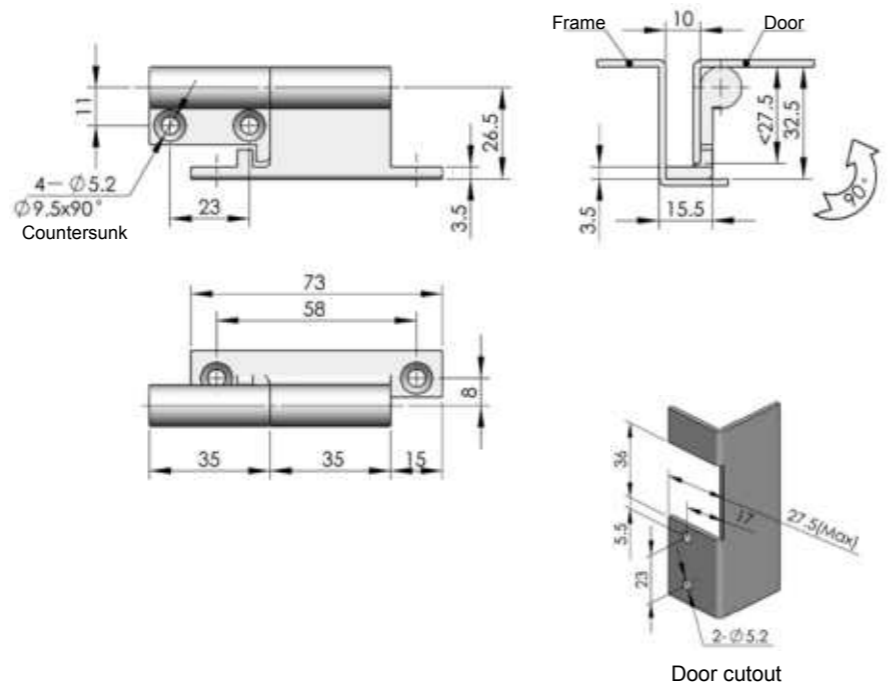


Main material and finish: Black powder coated pin
Application: Opening angle 90°

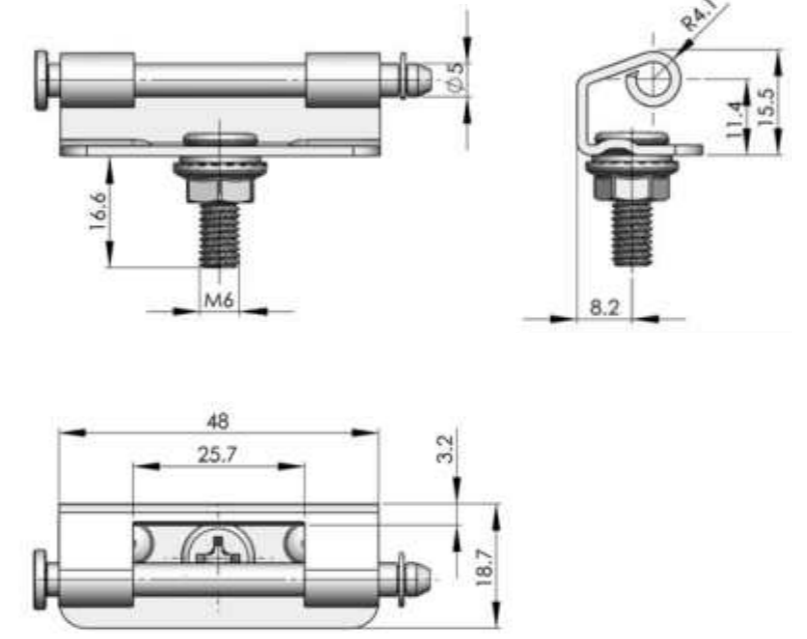
CL331



Main material and finish: Nanometer painted ZDC hinge and nickel plated steel pin
Application: Opening angle 90°



	Nanometer painted	Black powder coated
ERP	CL331Z2B001	CL331Z1A001



ERP	CL103F3C001
-----	-------------

CL103



Main material and finish: Yellow zinc plated steel hinge and pin
Application: Opening angle 90°

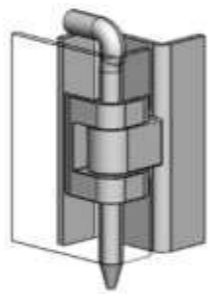
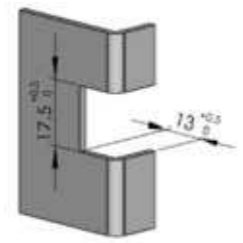
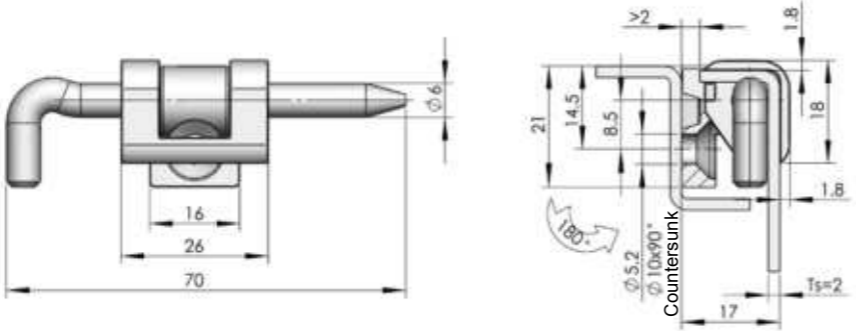
Accessories
 Handle lock
 Cylinder lock
 Electronic lock
 Plane lock
 Rod control lock
 Panel lock
 Toggle and hook
 Handles
 Door stop
Hinge
 Seal gasket

Accessories
Handle lock
Cylinder lock
Electronic lock
Plane lock
Rod control lock
Panel lock
Toggle and hook
Handles
Door stop
Hinge
Seal gasket

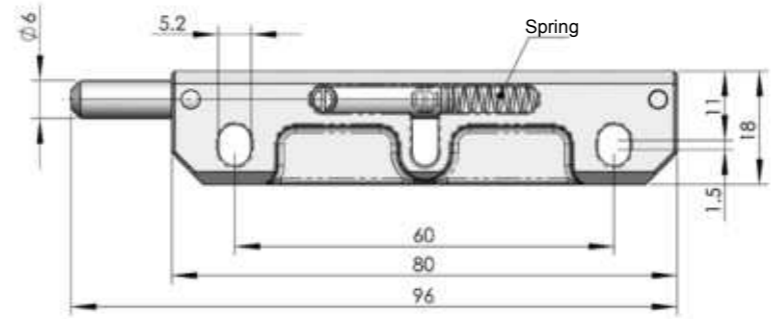
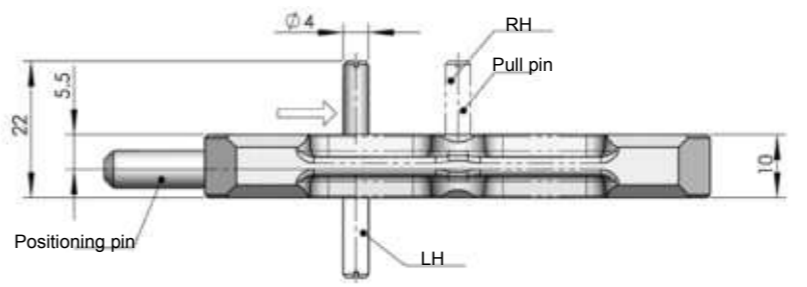
CL104



Main material and finish: Black powder coated ZDC hinge and nickel plated steel pin
Application: Opening angle 180°



ERP CL104Z1A001



ERP CL106Z3I001

CL106

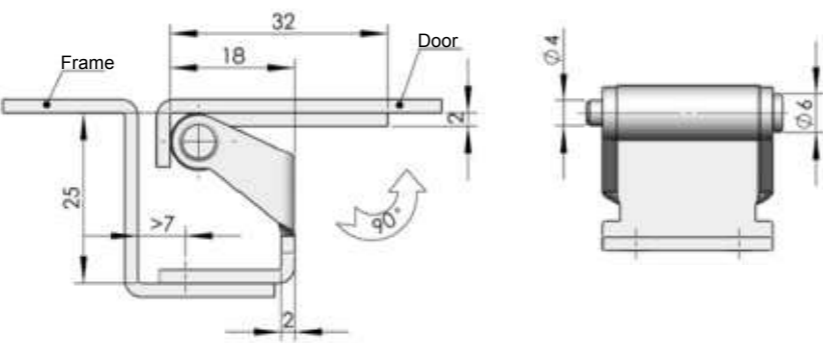
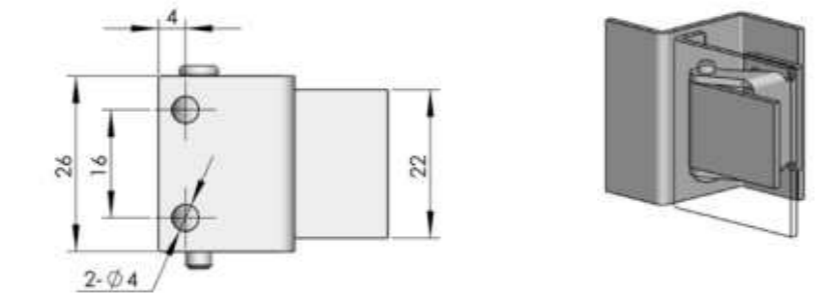


Main material and finish: Sand-spraying and steel shaft and spring
Application: By changing the direction of pin to realise the shift between LH and RH

CL105



Main material and finish: White zinc plated steel hinge and pin
Application: Opening angle 180°

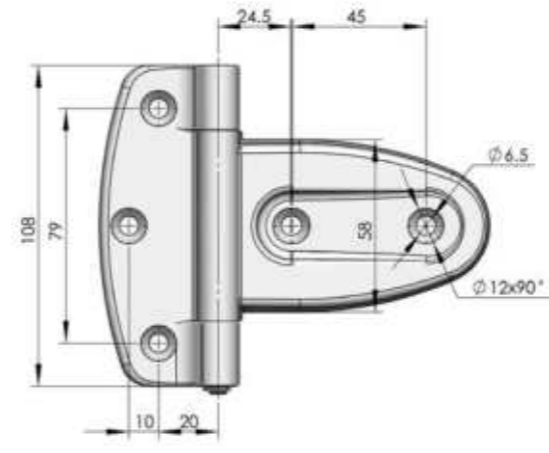
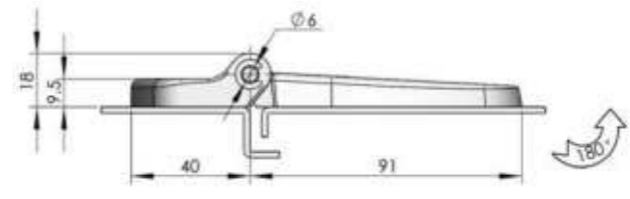


ERP CL105F3D001

CL108



Main material and finish: Black PA hinge and nickel plated steel pin
Application: Opening angle 180°



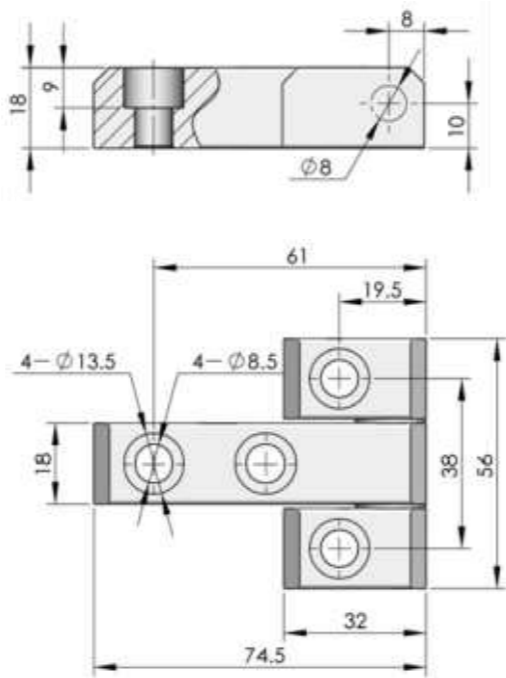
ERP CL108Z1A001

Accessories
Handle lock
Cylinder lock
Electronic lock
Plane lock
Rod control lock
Panel lock
Toggle and hook
Handles
Door stop
Hinge
Seal gasket

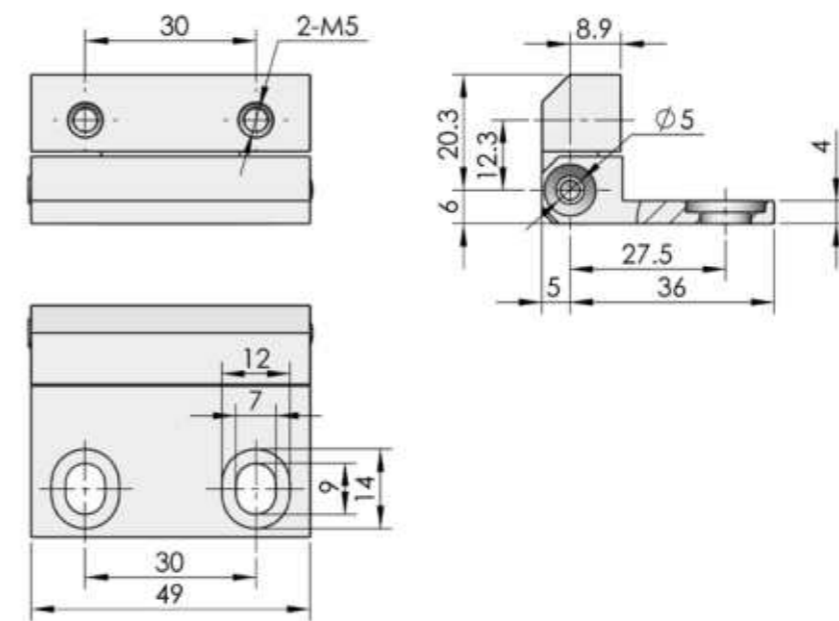
CL117



Main material and finish: White zinc-plated steel hinge and shaft



ERP CL117F3D001



ERP CL123Z1A001

CL123

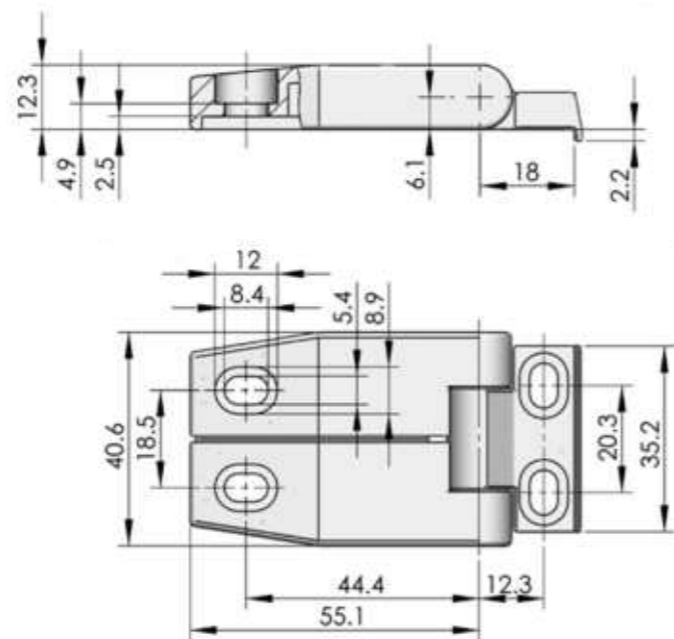


Main material and finish: Black powder coated plated steel shaft

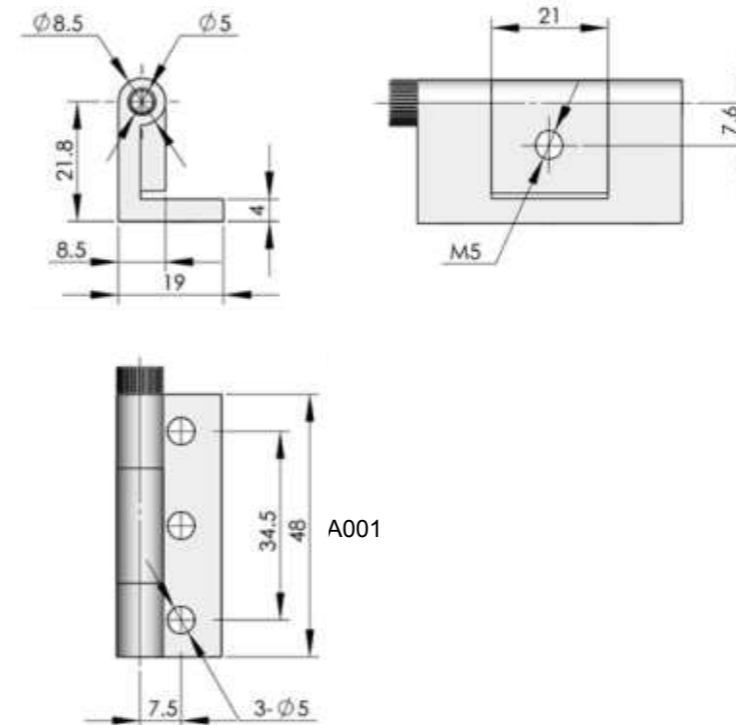
CL119



Main material and finish: Black powder coated ZDC hinge and nickel-plated steel shaft



ERP CL119Z1A001



A001

CL124



Main material and finish: Black powder coated ZDC hinge and black steel shaft

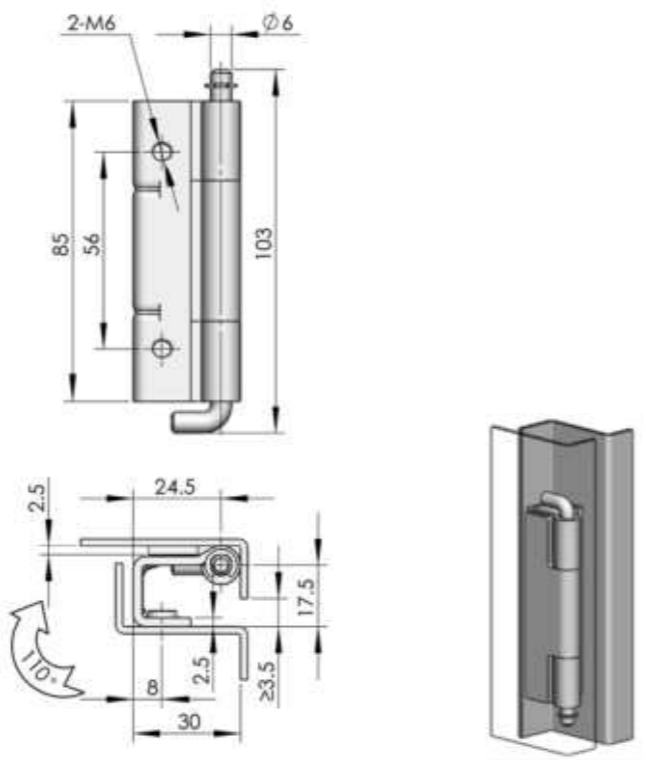
Accessories
Handle lock
Cylinder lock
Electronic lock
Plane lock
Rod control lock
Panel lock
Toggle and hook
Handles
Door stop
Hinge
Seal gasket

Accessories
Handle lock
Cylinder lock
Electronic lock
Plane lock
Rod control lock
Panel lock
Toggle and hook
Handles
Door stop
Hinge
Seal gasket

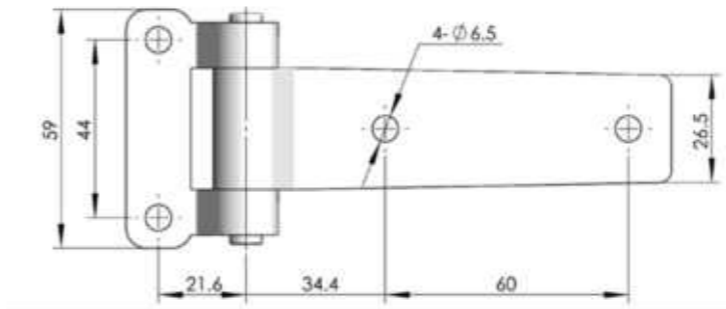
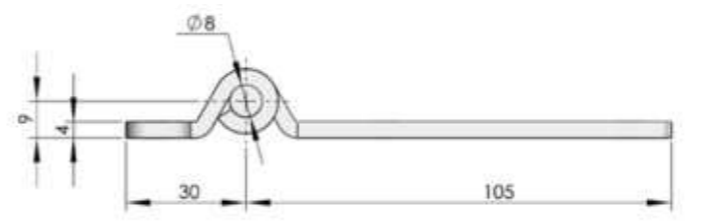
CL125



Main material and finish: White zinc-plated steel hinge and pin
Application: Opening angle 110°



ERP CL125F3D001



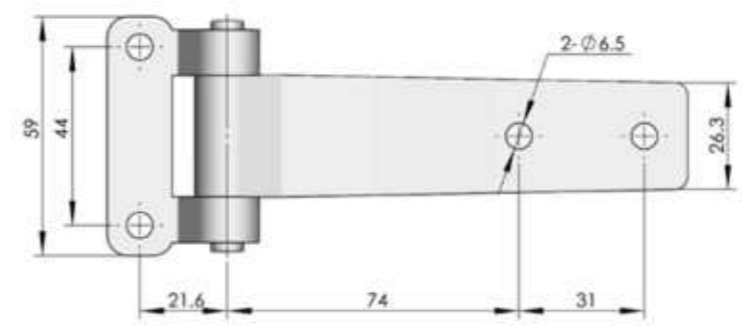
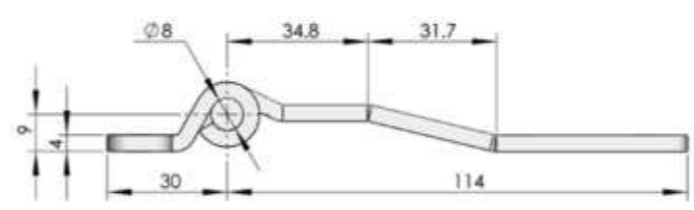
CL127-1

ERP CL127S4A002

CL127-1 CL127-2



Main material and finish: Mirror polishing stainless
Application: Opening angle 180°



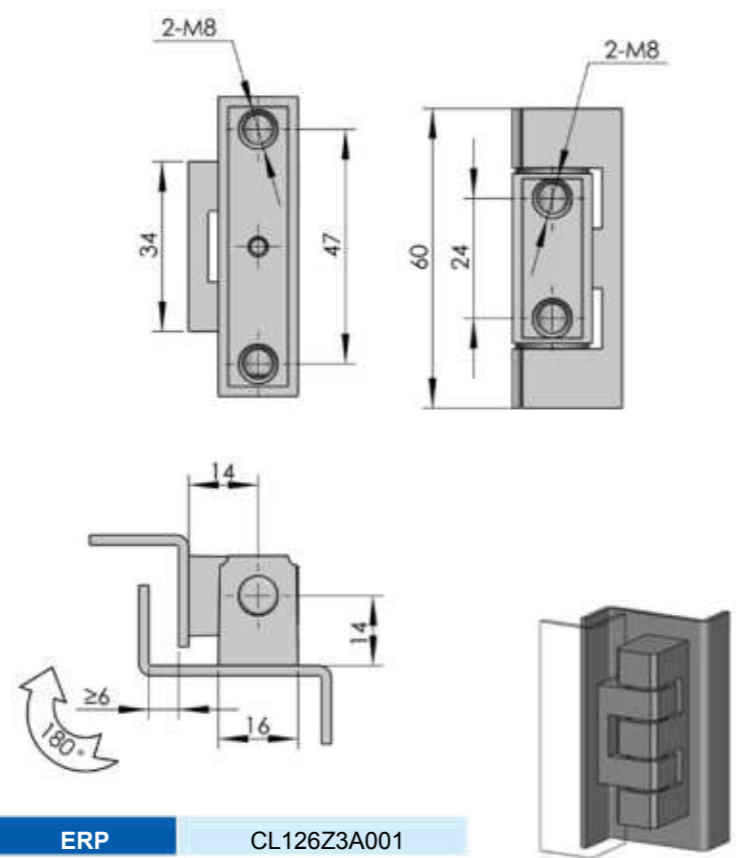
CL127-2
CL127S4A003

ERP

CL126



Main material and finish: Bright chrome-plated ZDC hinge and nickel-plated steel shaft
Application: Opening angle 180°



ERP CL126Z3A001

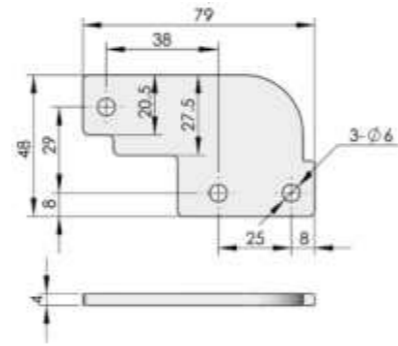
Accessories
Handle lock
Cylinder lock
Electronic lock
Plane lock
Rod control lock
Panel lock
Toggle and hook
Handles
Door stop
Hinge
Seal gasket

CL135



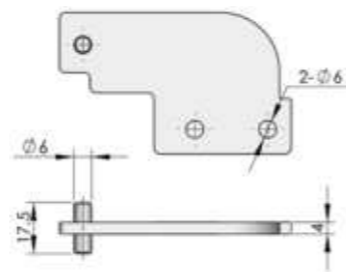
Main material and finish: Black painted steel hinge

CL135-1



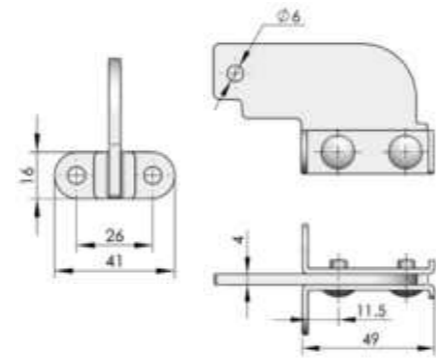
ERP CL135F2A001

CL135-2



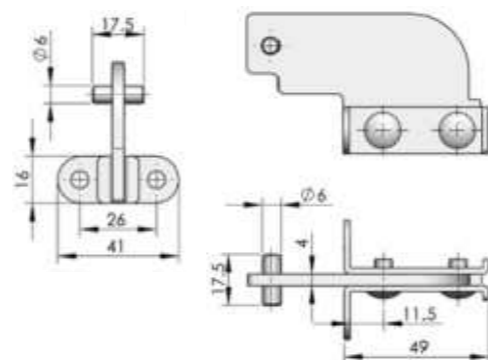
ERP CL135F2A002

CL135-3

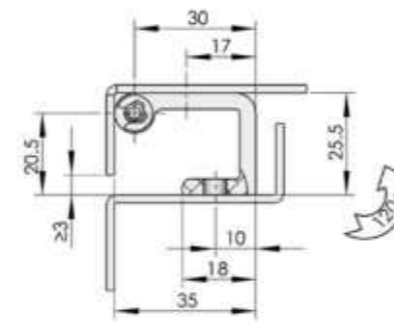
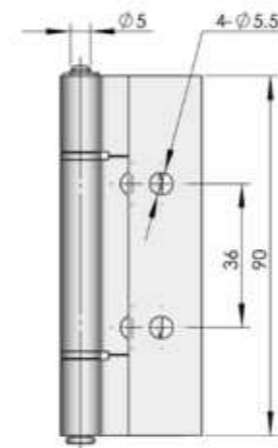


ERP CL135F2A003

CL135-4



ERP CL135F2A004

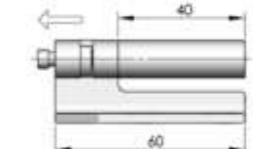
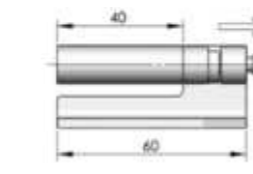
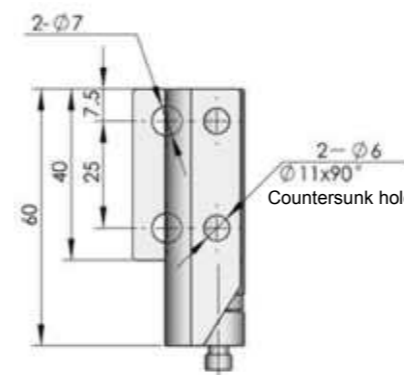


ERP CL132A4D001

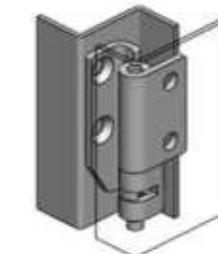
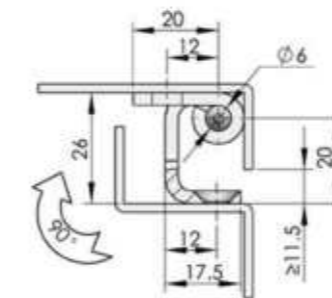
CL132



Main material and finish: Sand-spraying aluminum alloy hinge, stainless steel pin
Application: Opening angle 120°



CL137 Right



ERP	Left hinge CL137F3D001	Right hinge CL137F3D002
------------	----------------------------------	-----------------------------------

CL137



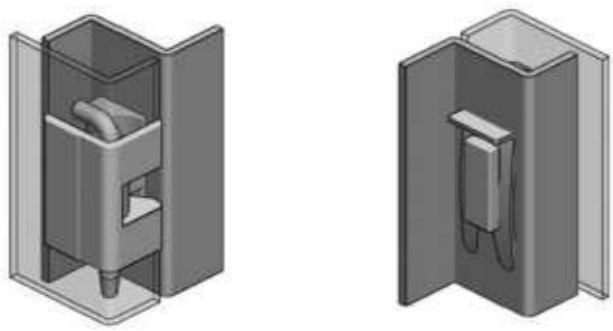
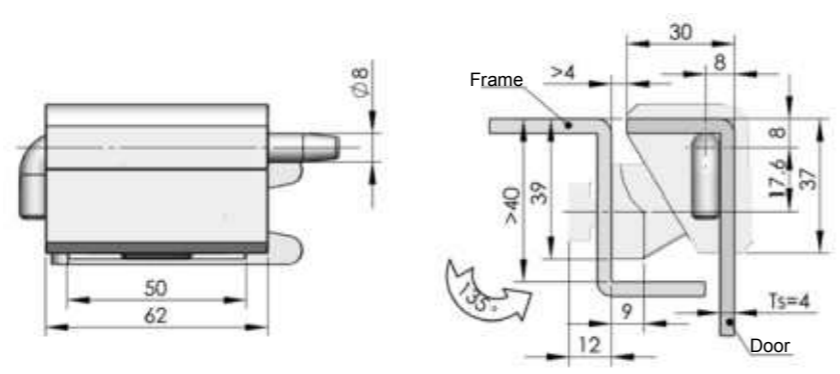
Main material and finish: White zinc-plated steel hinge and pin
Application: Opening angle 135°

Accessories
Handle lock
Cylinder lock
Electronic lock
Plane lock
Rod control lock
Panel lock
Toggle and hook
Handles
Door stop
Hinge
Seal gasket

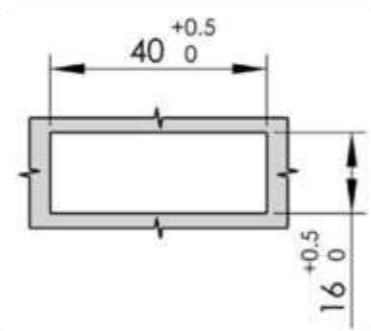
CL154



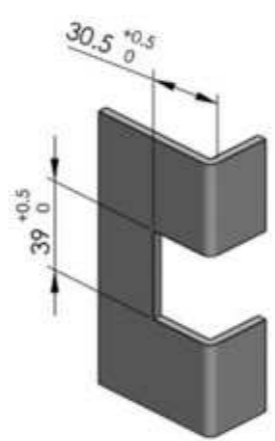
Main material and finish: Blue-gray (RAL 7012) powder coated ZDC hinge and stainless steel shaft
Application: Opening angle 135°



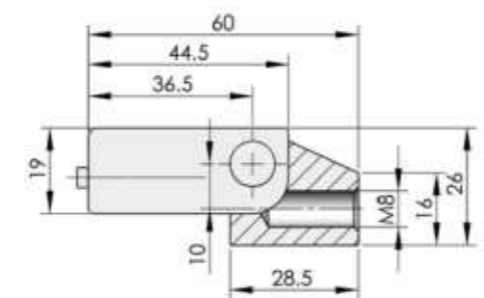
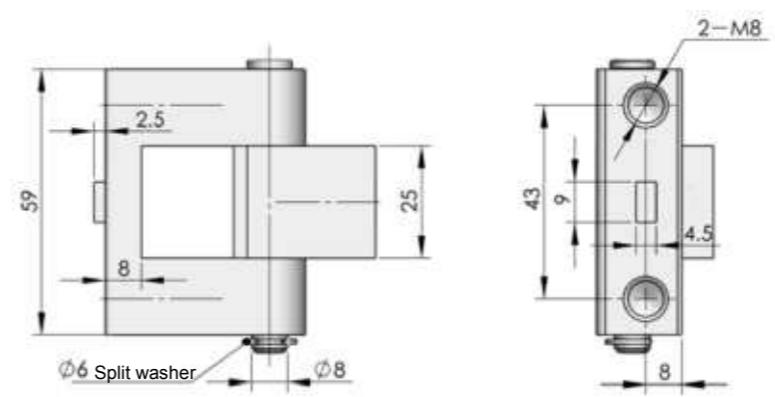
Frame cutout



Door cutout



ERP CL154Z1D001



ERP CL133F3D001

CL133

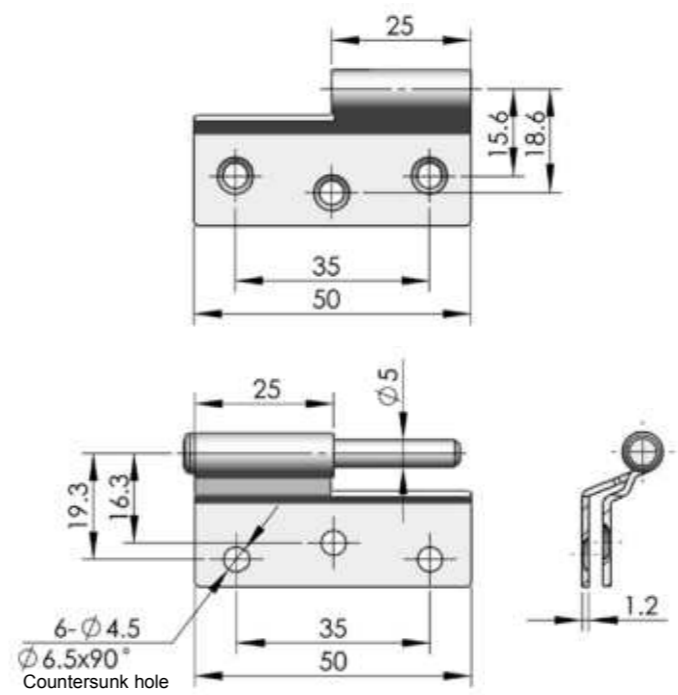


Main material and finish: White zinc-plated steel hinge leaf and shaft
Application: Opening angle 180°

CL145



Main material and finish: White zinc-plated steel hinge leaf and shaft



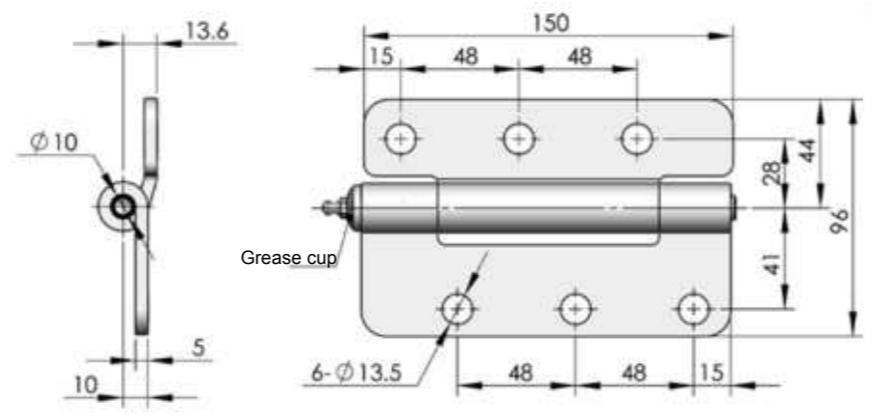
ERP CL145F3D001

Accessories
Handle lock
Cylinder lock
Electronic lock
Plane lock
Rod control lock
Panel lock
Toggle and hook
Handles
Door stop
Hinge
Seal gasket

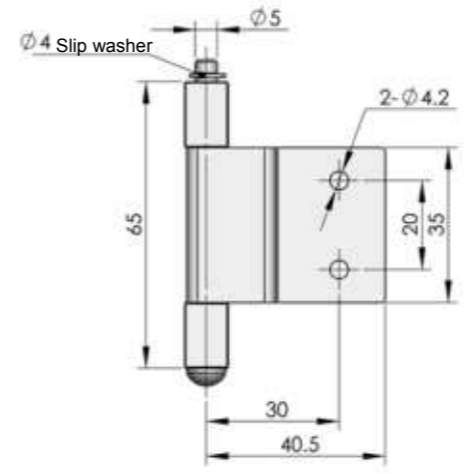
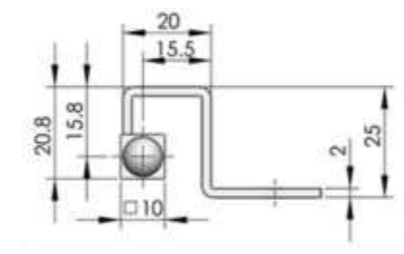
CL158



Main material and finish: White zinc-plated steel hinge leaf and shaft



ERP	CL158F3D001
-----	-------------



	Steel(White zinc-plated)	Stainless steel
ERP	CL151F3D001	CL151S00001

CL151

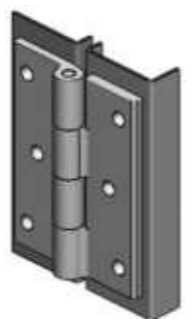
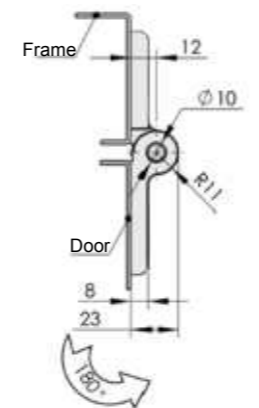
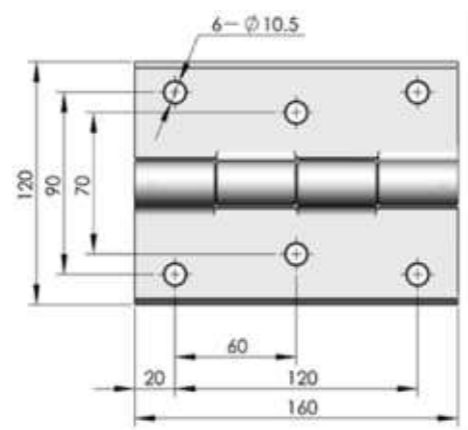


Main material and finish: Steel hinge leaf and shaft or stainless steel
Application: Opening angle 180°

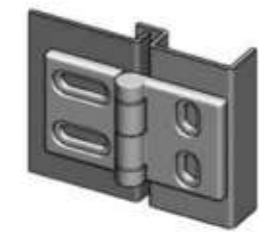
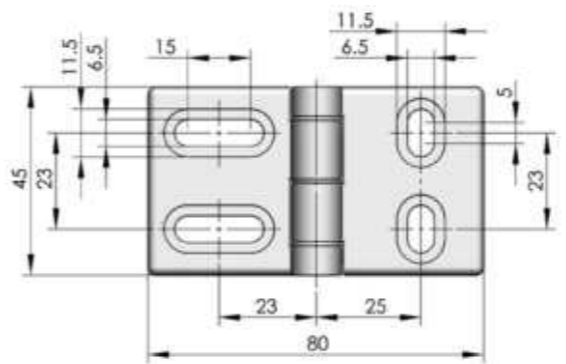
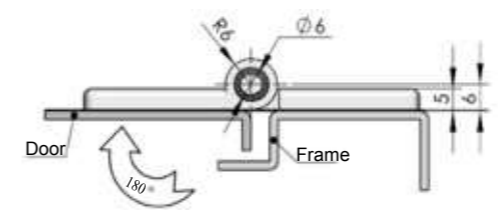
CL226-8



Main material and finish: White zinc-plated steel hinge leaf and steel shaft
Application: Opening angle 180°



ERP	CL226F3D001
-----	-------------



--	--

CL156

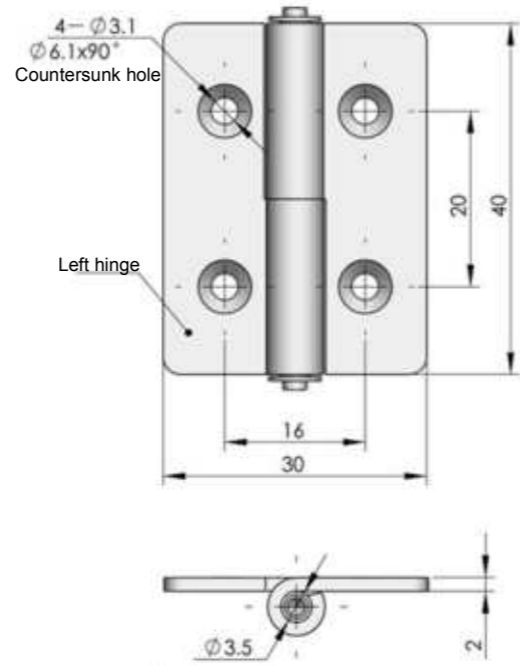


Main material and finish: Sand-spraying aluminum alloy hinge, stainless steel shaft
Application: Opening angle 180°

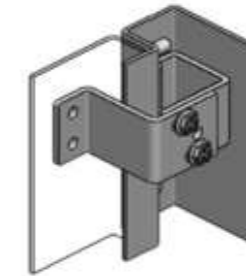
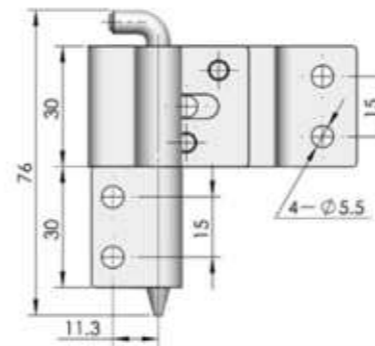
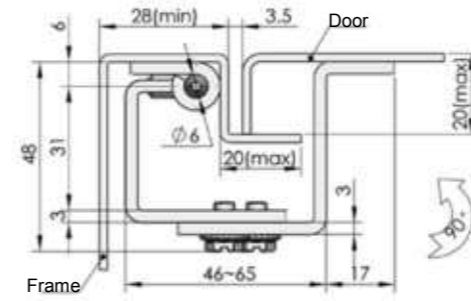
CL253-9



Main material and finish: Stainless steel hinge leaf and shaft
Application: Opening angle 180°



	Left hinge	Right hinge
ERP	CL253S4A008	CL253S4A009



ERP	CL128F3D001
-----	-------------

CL128

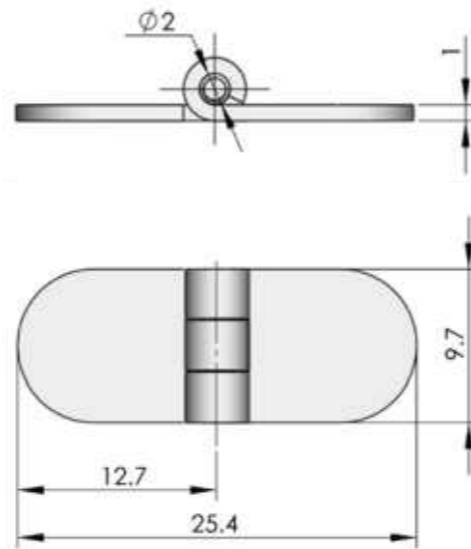


Main material and finish: White zinc-plated steel hinge leaf and pin
Application: Opening angle 90°

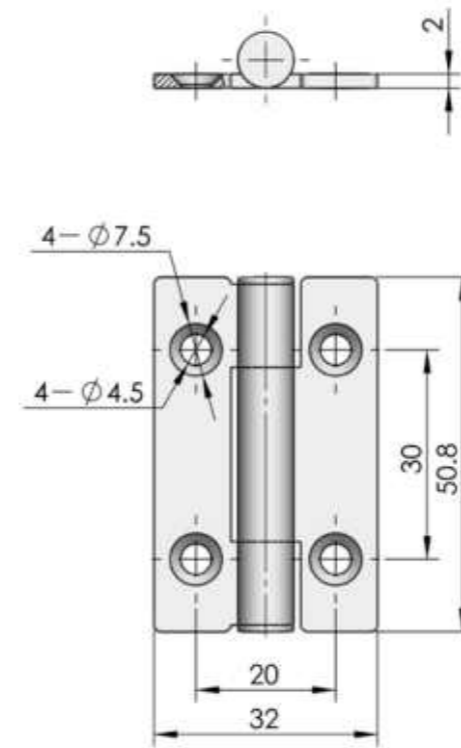
CL253-10



Main material and finish: Mirror polishing stainless steel hinge leaf, stainless steel shaft
Application: Opening angle 180°



ERP	CL253S4A010
-----	-------------



ERP	CL152S4C001
-----	-------------

CL152



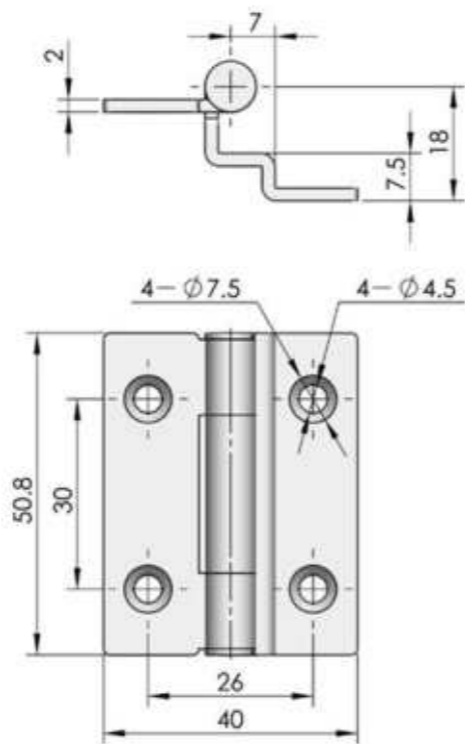
Main material and finish: Stainless steel hinge leaf and shaft
Application: Opening angle 180°

Accessories
Handle lock
Cylinder lock
Electronic lock
Plane lock
Rod control lock
Panel lock
Toggle and hook
Handles
Door stop
Hinge
Seal gasket

CL152-2

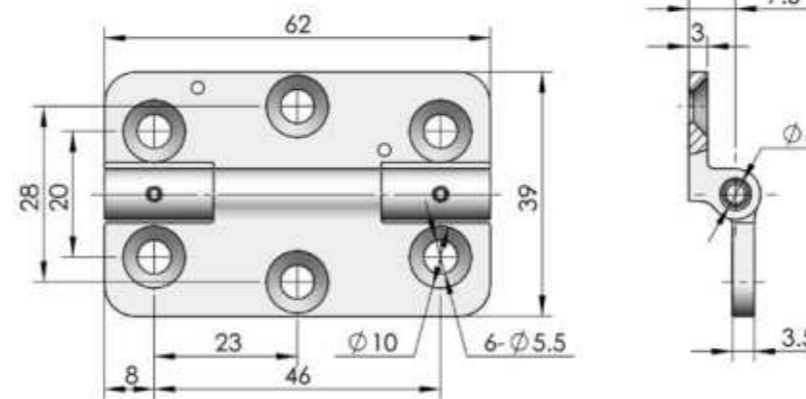


Main material and finish: Stainless steel hinge leaf and shaft
Application: Opening angle 180°



ERP

CL152S4C002



ERP

CL163S4B001

CL163

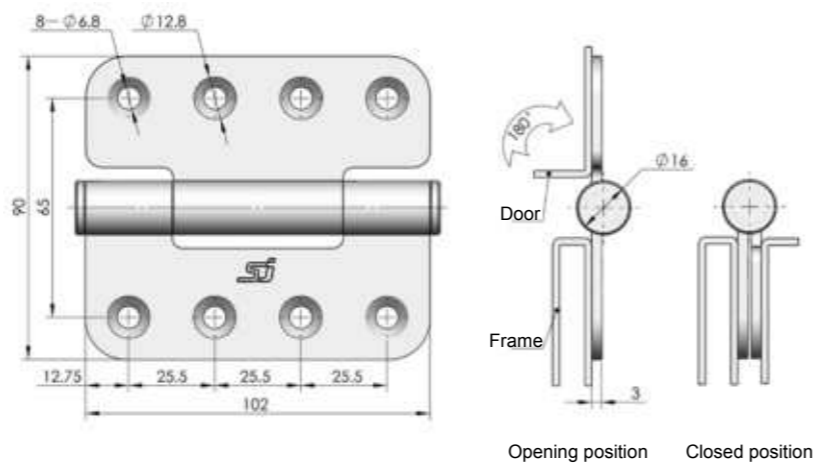


Main material and finish: Wiredrawing stainless steel hinge leaf and shaft

CL158-2

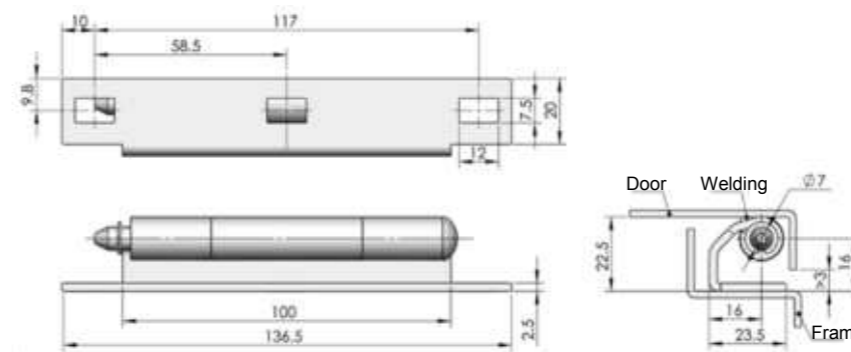


Main material and finish: Wiredrawing stainless steel hinge leaf, stainless steel shaft
Application: Opening angle 180°



ERP

CL158S4B001



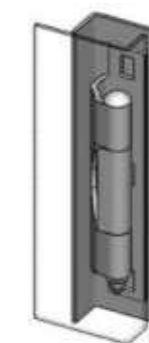
ERP

CL167F3D001

CL167



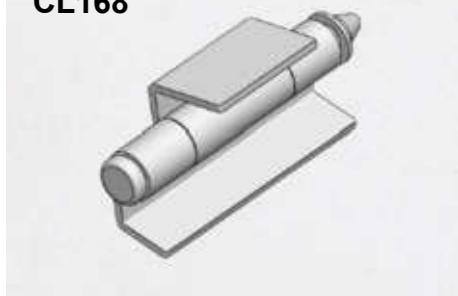
Main material and finish: White zinc-plated steel hinge leaf, white zinc-plated aluminium alloy shaft
Application: Opening angle 120°



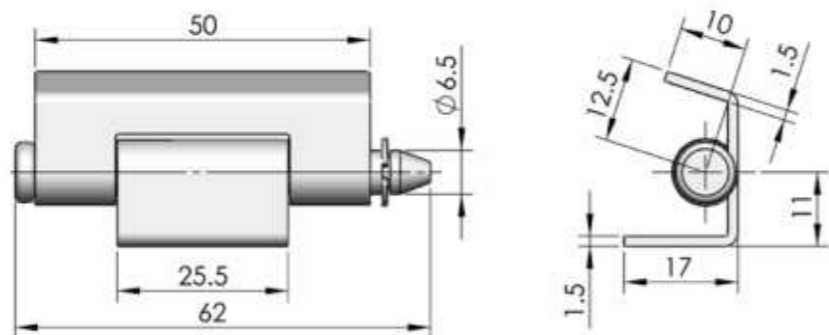
Accessories
Handle lock
Cylinder lock
Electronic lock
Plane lock
Rod control lock
Panel lock
Toggle and hook
Handles
Door stop
Hinge
Seal gasket

Accessories
Handle lock
Cylinder lock
Electronic lock
Plane lock
Rod control lock
Panel lock
Toggle and hook
Handles
Door stop
Hinge
Seal gasket

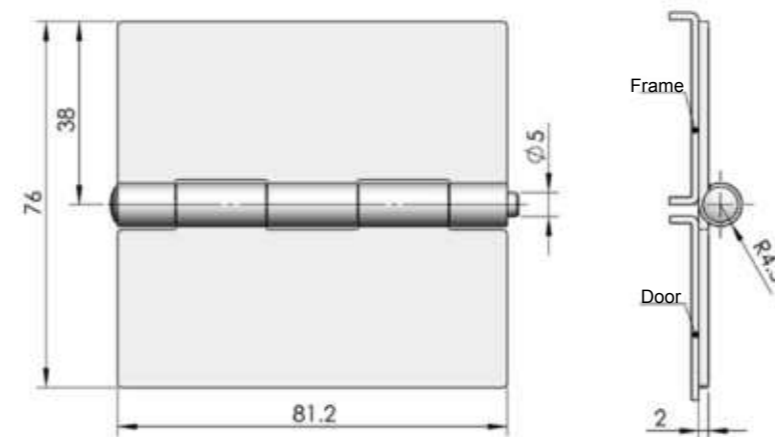
CL168



Main material and finish: White zinc-plated steel hinge leaf and shaft

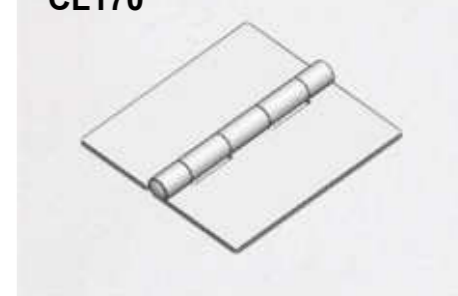


ERP CL168F3D001



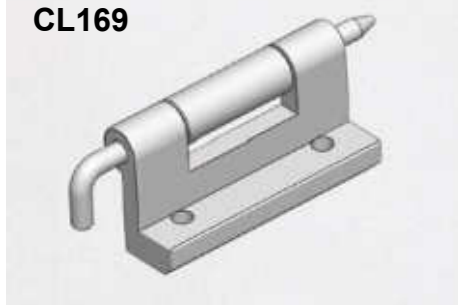
ERP CL170F00001

CL170

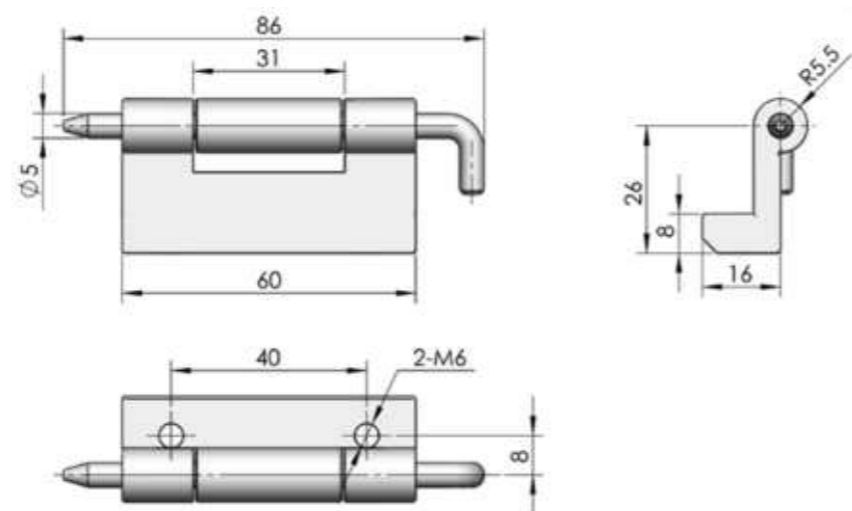


Main material and finish: Steel hinge leaf and shaft

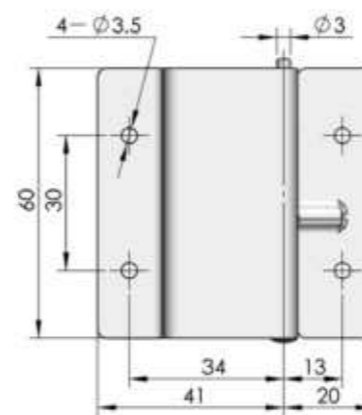
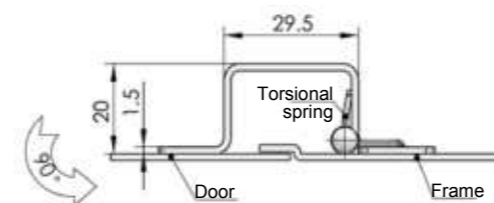
CL169



Main material and finish: White zinc-plated ZDC female hinge, steel male hinge and shaft



ERP CL169Z3D001



ERP CL173S00001

CL173



Main material and finish: Stainless steel hinge leaf and shaft
Application: Opening angle 90°

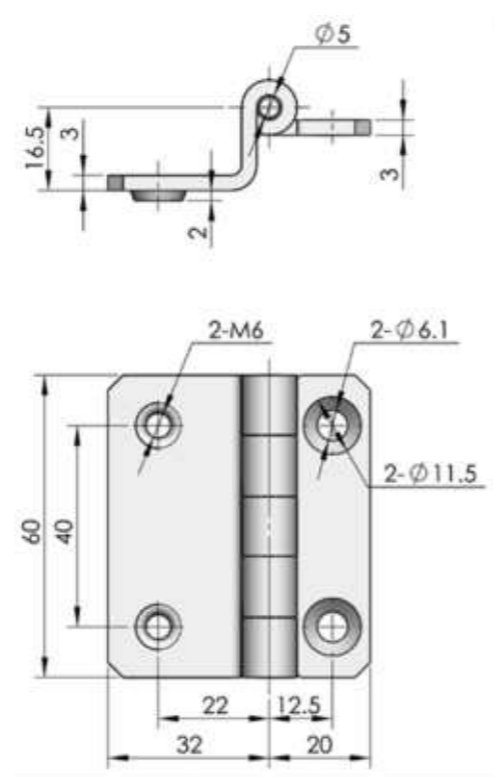
Accessories
Handle lock
Cylinder lock
Electronic lock
Plane lock
Rod control lock
Panel lock
Toggle and hook
Handles
Door stop
Hinge
Seal gasket

Accessories
Handle lock
Cylinder lock
Electronic lock
Plane lock
Rod control lock
Panel lock
Toggle and hook
Handles
Door stop
Hinge
Seal gasket



CL178

Main material and finish: White zinc-plated steel hinge leaf and shaft

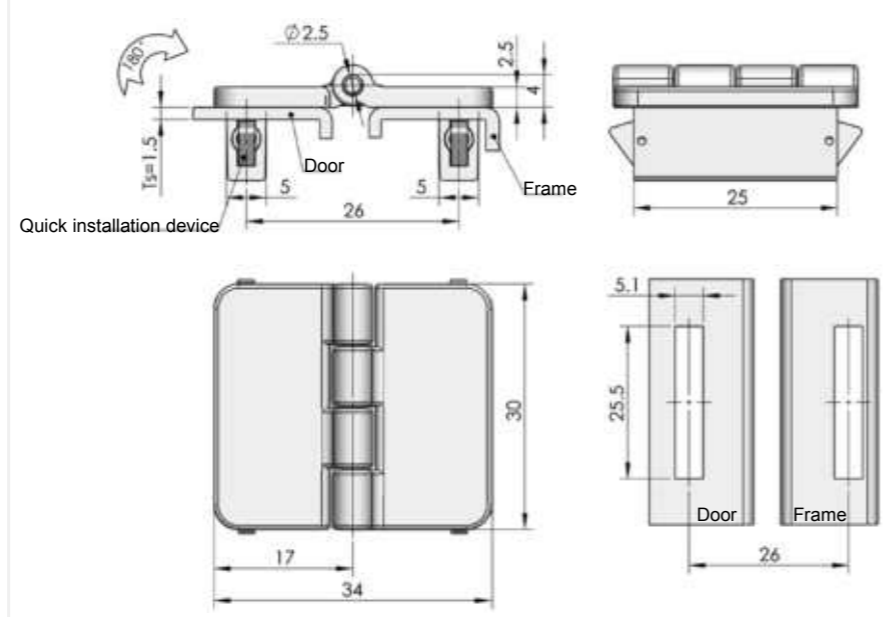


ERP CL178F3D001

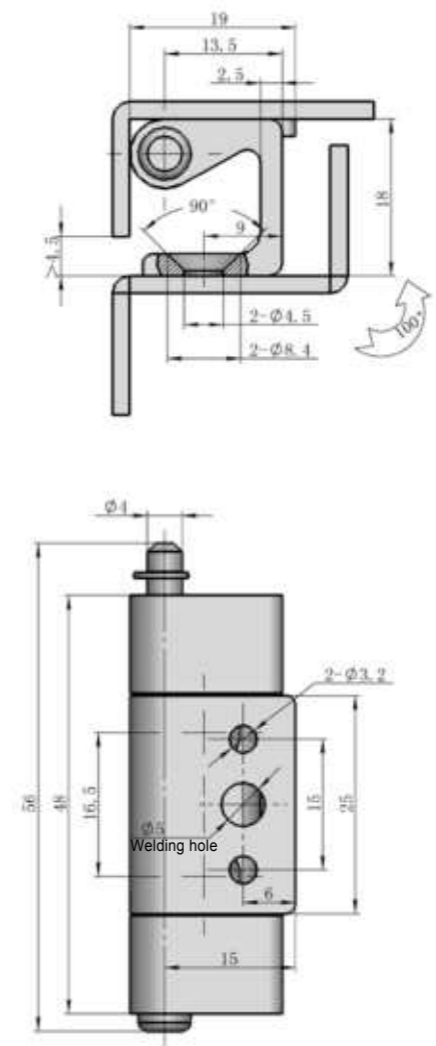
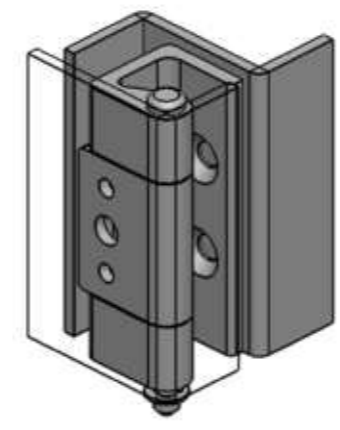


CL226-9K

Main material and finish: Black powder coated ZDC
Application: Quick assembling, opening angle 180°



ERP CL226Z1A037



ERP CL237S2G001



CL237-2

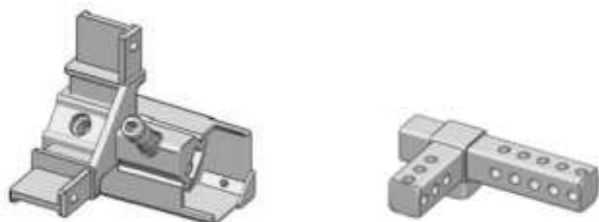
Material and finish: High salt mist beige grey frame hinge, electrolyze door part and SUS 316 shaft
Remarks: Frame hinge use two M4 sunk screws to fix (exclude), riveting and welding door hinge and frame

Accessories
Handle lock
Cylinder lock
Electronic lock
Plane lock
Rod control lock
Panel lock
Toggle and hook
Handles
Door stop
Hinge
Seal gasket

Accessories	MFT-001	MFT-002	MFT-003	MFT-004	MFT-017	MFT-018	MFT-019	MFT-020	Accessories
Handle lock									Handle lock
Cylinder lock									Cylinder lock
Electronic lock									Electronic lock
Plane lock	MFT-005	MFT-007	MFT-009 MFT-015	MFT-010	MFT-025	MFT-026	MFT-027	MFT-028	Plane lock
Rod control lock									Rod control lock
Panel lock									Panel lock
Toggle and hook									Toggle and hook
Handles	MFT-011	MFT-012		MFT-016	MFT-029	MFT-031	MFT-032	MFT-034	Handles
Door stop									Door stop
Hinge									Hinge
Seal gasket									Seal gasket

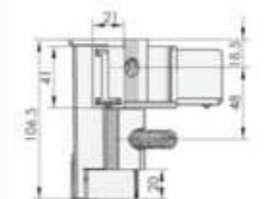
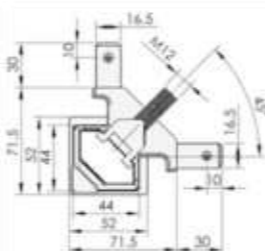
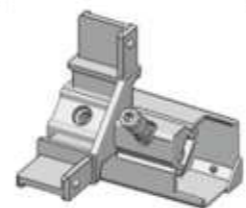
Accessories	MFT-036	MFT-037	MFT-038	MFT-039	MFT-051	MFT-054	MFT-055	MFT-056	Accessories
Handle lock									Handle lock
Cylinder lock									Cylinder lock
Electronic lock									Electronic lock
Plane lock	MFT-041	MFT-042	MFT-043 MFT-049	MFT-045	MFT-055	MFT-056	MFT-060	MFT-065	Plane lock
Rod control lock									Rod control lock
Panel lock									Panel lock
Toggle and hook									Toggle and hook
Handles	MFT-047	MFT-048		MFT-050	MFT-067	MFT-068	MFT-069	MFT-070	Handles
Door stop								Door stop	
Hinge								Hinge	
Seal gasket									Seal gasket

OTHER ACCESSORIES



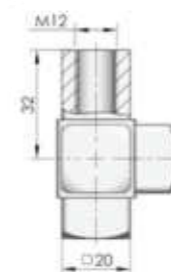
Tee Pipe

FJ022



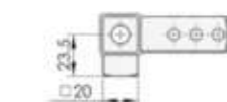
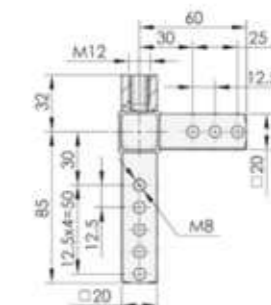
ERP	Material
1120000082	Aluminium alloy

FJ019-3



ERP	Material
1120000096	Carbon steel

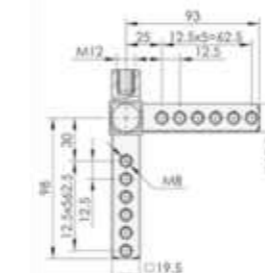
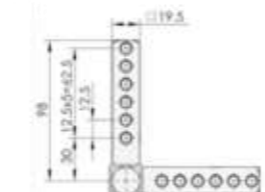
FJ019-2



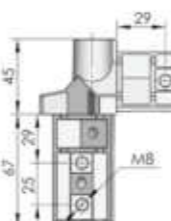
Material: Carbon steel

ERP	
Left	Right
1120000089	1120000090

FJ019-1D

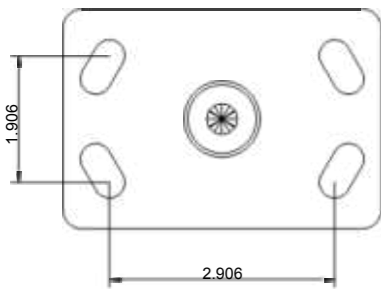


ERP	Material
1120000086	Carbon steel

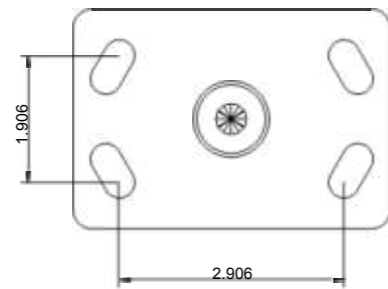


ERP	Material
1120000011	Carbon steel

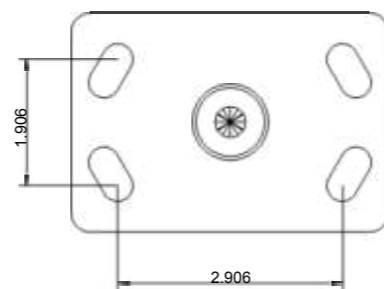
Caster



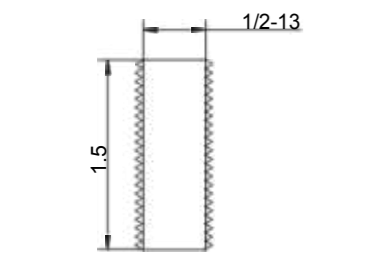
Unit: In



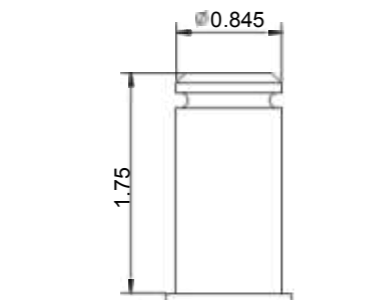
Unit: In



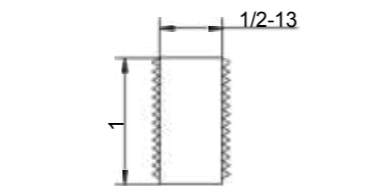
Unit: In



Unit: In



Unit: In



Unit: In

Index

Model Page

Cabinet lock

MS301	037
MS302	037
MS303	098
MS304	038
MS305	038
MS306	039
MS307	040
MS308	040
MS310	041
MS317	042
MS319	044
MS320	043
MS330	099
MS405	106
MS703	115
MS704-1	074
MS704-1A	074
MS704-2	075
MS705	057
MS705-1W-2D	106
MS705-3A	060
MS705-3C	061
MS705-3C-4	061
MS705-3D	062
MS705-3E	062
MS705-3U	063
MS705-K	063
MS706	088
MS707	115
MS708	118
MS710	124
MS712	127
MS712-Q	127
MS713	127
MS714-1	064
MS714-2	064
MS714-3	065
MS714-4	065
MS715	066
MS717-1	121
MS717-2	121
MS718	119
MS718-3	119
MS719	120
MS719-1C	120

Model Page

MS720	116
MS720-1	116
MS720-1H	116
MS721	066
MS722	007
MS723	139
MS723-2	140
MS723-3	140
MS726-1	122
MS726-1A	122
MS726-2	123
MS726-3	123
MS727	124
MS728	116
MS728-1	116
MS728-1H	116
MS729-1	089
MS729-2	089
MS729-3	089
MS730	117
MS730-1A	117
MS731-1	145
MS731-2	145
MS731-3	146
MS731-4	146
MS731-6	150
MS732	118
MS733	089
MS734	071
MS735	072
MS735-2	072
MS735-4	101
MS736	125
MS737	125
MS738	126
MS739	073
MS741	090
MS742	090
MS743	091
MS744	091
MS745-1	092
MS745-2	092
MS748	092
MS748-3	093
MS750	076

Model Page

MS753	102
MS754	103
MS760	093
MS761	071
MS762	067
MS763	068
MS767-1	104
MS767-2	104
MS772	107
MS801-1	078
MS801-2	079
MS802	094
MS803	079
MS804	094
MS805	069
MS806	095
MS807-1	045
MS807-2	045
MS807-3	045
MS809	088
MS810-2	190
MS811-1	080
MS811-2	080
MS811-3	080
MS811-4	081
MS811-5	081
MS811-6	082
MS812-1	077
MS812-2	077
MS813	073
MS813-4	105
MS813-5B	105
MS815-1	095
MS815-2	096
MS815-3	096
MS816-1	083
MS816-1A	083
MS816-1D-1	100
MS816-2	084
MS816-3S-1	085
MS816-4B	069
MS817	086
MS818	128
MS818-1C	128
MS818-1S	128



Index

Model	Page
Cabinet lock	
MS818-2C	128
MS818-3B	129
MS819	159
MS819-1	159
MS819-2	159
MS820	147
MS820-1A	148
MS821	149
MS822	082
MS823-1	087
MS823-1A	087
MS824	097
MS825	097
MS826	098
MS828	151
MS828-1F	153
MS829	152
MS830	155
MS830-3	155
MS830-5	154
MS831	159
MS831-1	159
MS831-2	159
MS832	160
MS832-1	160
MS832-1P	160
MS832-2	160
MS833	160
MS833-1	160
MS833-2	160
MS834	161
MS834-5	141
MS835	162
MS835-1	162
MS835-2	162
MS836	163
MS836-1	163
MS836-2	163
MS837	070
MS839	130
MS839-5	132
MS840	164
MS840-1	164
MS840-2	164
MS840-A	171

Model	Page
MS840-B	172
MS840-C	173
MS841	047
MS842	042
MS843	131
MS844	075
MS845-1	076
MS845-3	076
MS846	165
MS846-1	165
MS846-2	165
MS848	166
MS848-1	166
MS848-2	166
MS848-3	167
MS848-4A	175
MS848-4B	175
MS848-B	174
MS850-1	193
MS850-1A	193
MS850-2	194
MS850-2A	194
MS851	181
MS851-2	183
MS852	181
MS853	184
MS855-1	186
MS855-2	186
MS855-3	187
MS856	195
MS857	196
MS858	197
MS859	048
MS861	133
MS861-2	133
MS861-2A	138
MS863	137
MS864-1	134
MS864-1A	134
MS864-3	135
MS864-3A	136
MS864-4	142
MS864-8	109
MS865	178
MS866-1	198

Model	Page
MS866-2	198
MS866-3	199
MS866-4	199
MS866-5	200
MS866-6	201
MS866-7	202
MS866-8	202
MS866-11	203
MS866-13	205
MS866-14	204
MS867	185
MS868	049
MS870	206
MS871	205
MS874	137
MS875-1	176
MS875-1A	177
MS875-2	176
MS875-2A	177
MS876	180
MS881-3	194
MS882	189
MS884	141
MS887-1	049
MS887-2	050
MS887-3	051
MS887-4	052
MS889	191
MS899	111
MS901	112

Index

Model	Page
Hinge series	
CL103	318
CL104	319
CL105	319
CL106	320
CL108	320
CL109	321
CL114	321
CL115	322
CL116	322
CL117	323
CL119	323
CL121	262
CL123	324
CL124	324
CL125	325
CL126	325
CL127-1	326
CL127-2	326
CL128	334
CL132	328
CL133	330
CL135	327
CL137	328
CL142	262
CL145	330
CL148	304
CL151	332
CL152	334
CL152-2	335
CL154	329
CL156	332
CL158	331
CL158-2	335
CL163	336
CL167	336
CL168	337
CL169	337
CL170	338
CL173	338
CL178	339
CL201-1	253
CL201-1A	253
CL201-2	254
CL201-3	254
CL201-4	255

Model	Page
CL201-5	255
CL201-5	256
CL202-1	256
CL202-2	257
CL203-1	258
CL203-2	258
CL203-2B	257
CL203-3	258
CL203-4	259
CL204-1	259
CL204-2	260
CL204-3	260
CL204-3C	260
CL204-3D	261
CL204-3F	263
CL204-3S	261
CL205-1	263
CL205-2	264
CL206-1	264
CL206-2	265
CL206-3	265
CL206-3B	266
CL206-4	266
CL207	267
CL208	267
CL209-1	268
CL209-1C	268
CL209-2	268
CL210	269
CL211	269
CL212	270
CL212-3A	270
CL212-3B	271
CL213-1	271
CL213-2	272
CL213-3	272
CL214-1	273
CL214-2	273
CL215	273
CL216	274
CL217	274
CL218	275
CL219	276
CL220	277
CL221-Y	277

Model	Page
CL221-Z	277
CL222	278
CL223	278
CL225	279
CL225-3	280
CL226-1	281
CL226-2	281
CL226-2A	281
CL226-3	281
CL226-4A	282
CL226-5A	282
CL226-6A	283
CL226-7	283
CL226-7A	283
CL226-8	331
CL226-9K	339
CL228	280
CL229	284
CL230	285
CL230-3	284
CL231	286
CL232	286
CL233	287
CL234	287
CL235	288
CL236	288
CL237	289
CL237-2	340
CL238	290
CL240	289
CL242	291
CL243	291
CL244	292
CL246	292
CL247	293
CL248	293
CL249	294
CL250-1	294
CL250-2	294
CL250-3	295
CL250-4	295
CL251	295
CL252	296
CL253-1	296
CL253-2	297

Index

Model	Page
CL253-3	297
CL253-4	297
CL253-4A	298
CL253-5	298
CL253-6	299
CL253-7	299
CL253-9	333
CL253-10	333
CL253-13	306
CL254	300
CL255	301
CL256	300
CL257	302
CL260	302
CL261	303
CL262	303
CL264	304
CL266	305
CL268	306
CL269	305
CL270	307
CL272	307
CL273	308
CL274	308
CL275-1	309
CL275-2	309
CL276	310
CL280	310
CL281-1	311
CL282-1	311
CL282-2	312
CL283-1	312
CL283-2	312
CL283-4	313
CL288	313
CL289	314
CL290	314
CL293	315
CL294	315
CL295	316
CL296	316
CL299-1-Z	317
CL331	317
CL332	318

Model	Page
Handles series	
LS501	227
LS502	227
LS503	228
LS504-1	
LS504-2	229
LS504-3	229
LS505	230
LS506	231
LS507	230
LS508	232
LS509	233
LS510	234
LS511	235
LS513	236
LS514	237
LS515	234
LS516	
LS516-2A	238
LS520	240
LS521	240
LS522	241
LS523	242
LS527	242
LS531	243
LS532	243
LS538	239
Door stop series	
TX80	245
TX90-1	246
TX90-2	247
TX90-3	247
TX91	248
TX92-1	249
TX92-2	249
TX100-A	250
TX100-B	250
TX101	251
Seal gasket series ... 342-346	
Tee pipe	348
Caster	349

Model	Page
Toggle and hook series	
DKS	213
DK601	213
DK602	214
DK603	215
DK604	215
DK605	216
DK606	216
DK607-1	217
DK609	217
DK609-2	218
DK610	219
DK611	219
DK612	220
DK615	221
DK616	221
DK617	223
DK618	222
DK618-1	222
DK618-2	222
DK618-3	222
DK618-4	222
DK623	223
DK624	225
DK725	224
DK725-1	224
DK725-2	224
DK725-3B	224
DK680	209
DK690	210
DK790	
DK880	212
Accessories	
Cam	007~013
Rod (LG)	016~020
Guide \ catcher	021~026
Cap \ pull	027~028
Profile cylinder	029
Key	031-034

END