

TK1000-1500-1001-1501



## Spur gear box

### Hand driven spur gearing:

- robust spur gear
- closed gearbox IP54
- maintenance-free plain bearings
- static safety factor of 4
- TK1000-1500 with crank and load pressure brake
- TK1001-1501 with input and output shaft  
- as option stainless steel (14301) gearbox

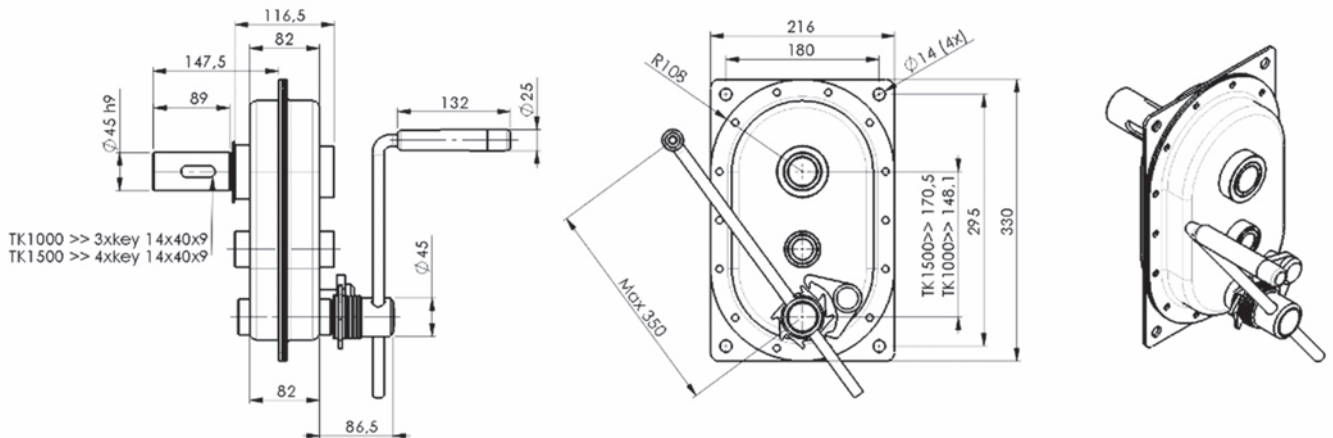


**GEBUWIN**  
metal products

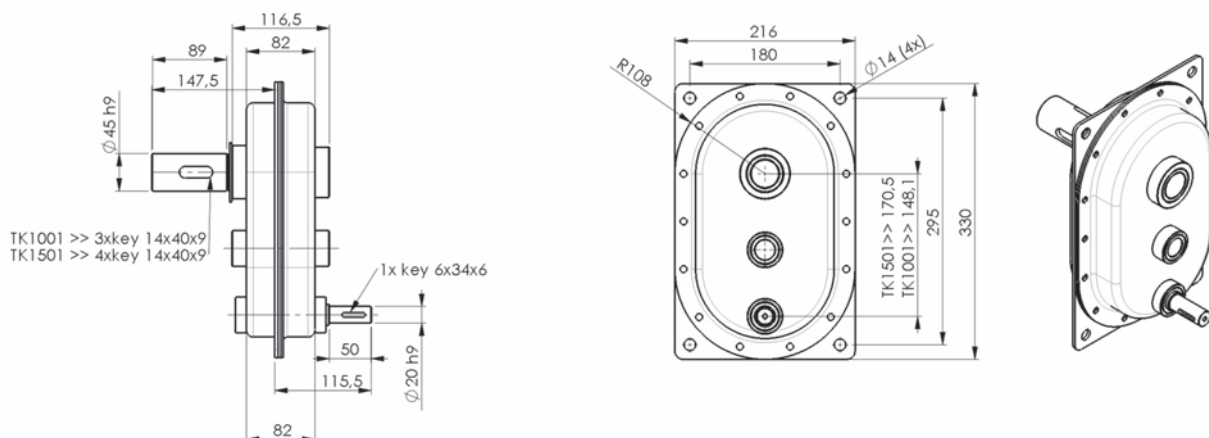


Industrieweg 6 7102 DZ Winterswijk The Netherlands  
T +31 (0)543 532600 F +31 (0)543 532601  
info@gebuwin.com www.gebuwin.com

## Technical specifications TK100-1500



## Technical specifications TK1001-1501



Type	Mounting	Material	Remarks
TK1000 EV	Wall, 4x M12 class 8.8	Zinc plated finish	
TK1500 EV	Wall, 4x M12 class 8.8	Zinc plated finish	
TK1001 EV	Wall, 4x M12 class 8.8	Zinc plated finish	
TK1501 EV	Wall, 4x M12 class 8.8	Zinc plated finish	

Technical specifications	TK1000	TK1500	TK1001	TK1501
Max output torque	550 Nm	840 Nm	550 Nm	840 Nm
Crankforce	11 daN	12 daN		
Max input torque			38 Nm	42 Nm
Max input speed			60 rpm	60 rpm
Transmission ratio	1:17	1:25,7	1:17	1:25,7
In- / output shaft diameter	- /45 mm	- /45 mm	20/45 mm	20/45 mm
Own weight	16,5 kg	17 kg	16 kg	16,5 kg