

 **GLEM**

BUILT

BUILT-IN

BUILT-IN

<i>2</i>	<i>Glem</i>
<i>10</i>	OVENS
<i>25</i>	MICROWAVE OVEN
<i>26</i>	COMPACT OVEN
<i>28</i>	INDUCTION HOBS
<i>32</i>	CERAMIC GLASS HOBS
<i>38</i>	CRYSTAL GAS HOBS
<i>42</i>	GAS HOBS
<i>56</i>	DOMINO HOBS
<i>64</i>	HOODS
<i>73</i>	<i>Tech info</i>

Glem World

PROJECT
and EMOTION
MADE *in* ITALY



Glem brand belongs to Glem Gas group established in 1959 in San Cesario, a few kilometers from Modena, in the heart of Emilia and of this territory it proudly carries on the culinary excellence, the artistic tradition, the spirit of innovation and the craftsmanship of its people. The technological and aesthetic content of our products represents our absolute value, a rigorous and emblematic image of **Made in Italy**. All products Made in Italy are assembled in our local premises and are submitted to strict quality controls so as to grant excellent performances.



Glem Experience

IO CUCINO *con* GLEM

I cook with Glem


“I cook with Glem” encapsulates our renewed identity, based on an impressive heritage of values for sharing, with the product at the centre of episodes from life and personal stories just waiting to be told. Investigating people’s experience of using our products every day places the spotlight on our audience in its dialogue with us through social media interaction.

Share your experience

www.glemgas.com



Io Cucino
con
 **GLEM**


MADE IN ITALY

Glem Style

GLOBAL *and* SMART CITIZENS

We develop products according to the contemporary living, favouring materials and innovative shapes which grant charming aesthetic, ergonomic shapes, ease of use and maintenance. Our appliances become object of furniture able to perfectly adapt to the latest fashion trends and interior design. Pragmatism, experience and creativity are the ingredients which have enabled Glem to receive prestigious awards and praises in the design area.









PRH

PRH (PRE-HEATING)

The top models have a PRH (pre-heating) function that allows you to rapidly pre-heat the oven. The oven reaches the temperature of 200°C in few time, and thus reduces the total cooking time. The oven emits a tone when it reaches temperature, at which point you can set the cooking function you wish to use.

OVENS

MODERN LOOK, HIGH PERFORMANCE



PIZZA

This special Pizza program allows you to cook pizzas at the exact same temperature as you would in a wood oven - evenly and in just a few minutes. This program is also perfect for baking fresh focaccia and bread.



MULTIFUNCTION GAS OVEN WITH FAN

Glem has created an innovative oven which combines all the features of a multifunction electric oven with those of a gas oven. The traditional cooking of a gas oven, ideal for roasting and baking, combined with fan forced ventilation provides a great heat distribution for single and multi-level cooking. More recipes prepared in less time and with less energy consumption.



PRESET TEMPERATURE

Thanks to the electronic control of the temperature, the oven will indicate the ideal preset temperature for each function. This function guarantees a constant temperature inside the cavity with optimal cooking results.



TANGENTIAL COOLING FAN

Tangential cooling means the oven remains cooler on the outside, to avoid heating the kitchen furniture or forming condensation. The tangential fan at the top of the oven starts up automatically a few minutes after the oven is turned on, and a thermostat device ensures it continues to run after the oven is turned off until it has cooled down.



OVENS

EASY *and* SAFE COOKING



TITANIUM ENAMEL - EASY TO CLEAN

Thanks to the low porosity of the titanium enamel, cleaning is so much easier and reduces dirt build up. The titanium enamel is resistant to the attack of acids and maintains its colour over time even after intensive use.



COLD DOOR

The external temperatures are reduced thanks to the new oven door. The innovative extraction chimney increases considerably the air flow circulation inside the oven so as to have external temperatures very low.



MULTICHEF (FAN SWITCH)

The Multichef allows you select between fan assisted or static cooking in gas ovens. This provides great versatility in cooking times and methods. Simply select the fan with the dedicated knob on the control panel to create perfect heat distribution inside the oven. The accurate and constant temperature of the oven browns dishes perfectly and allows you to cook more than one dish simultaneously, optimising the use of the space inside the oven.



FULL GLASS DOOR

The full glass oven inner door grants strength and solidity and it also facilitates the cleanliness since it is completely smooth.

Contemporaneo



GFP16IX

Performance and features

- Multifunction oven
- Full touch controls with electronic programmer
- Preset temperature
- 64 lt oven capacity
- Tangential cooling fan
- Smooth sides with chromed racks
- 2 shelves position with telescopic rails

Functions: 13



Safety

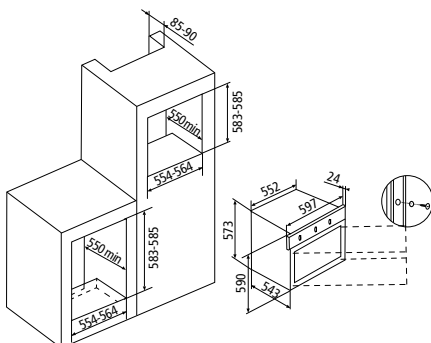
Triple glass cold door

Details

- Titanium enamelled cavity
- Full flat glass inner door
- Removable inner glass door



GFP16IX
Black glass / St. steel frame



Contemporaneo



GFP13IX

Performance and features

- Multifunction oven
- Led display
- Full touch electronic programmer
- Preset temperature
- 64 lt oven capacity
- Tangential cooling fan
- Smooth sides with chromed racks
- 2 shelves position with telescopic rails

Functions: 11



Safety

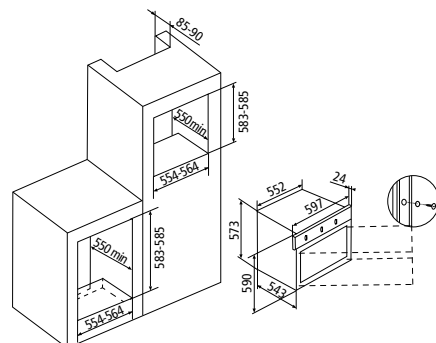
Triple glass cold door

Details

- Pop-out metal knobs
- Titanium enamelled cavity
- Full flat glass inner door
- Removable inner glass door



GFP13IX
Black glass / St. steel frame



Contemporaneo



GFP93IX

Performance and features

- Multifunction oven
- Electronic touch programmer
- 64 lt oven capacity
- Tangential cooling fan
- Smooth sides with chromed racks
- 2 shelves position with telescopic rails

Functions: 9



Safety

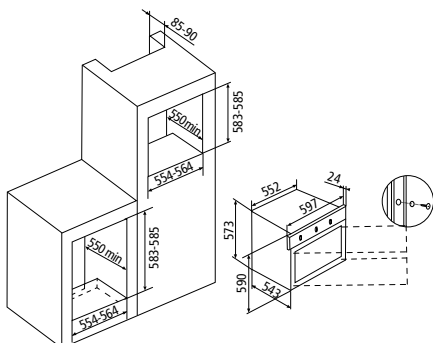
- Triple glass cold door

Details

- Pop-out metal knobs
- Titanium enamelled cavity
- Full flat glass inner door
- Removable inner glass door



GFP93IX
Black glass / St. steel frame



Stylish



GFS93IX

Performance and features

- Multifunction oven
- Electronic programmer
- 64 lt oven capacity
- Tangential cooling fan
- Smooth sides with chromed racks

Functions: 9



Safety

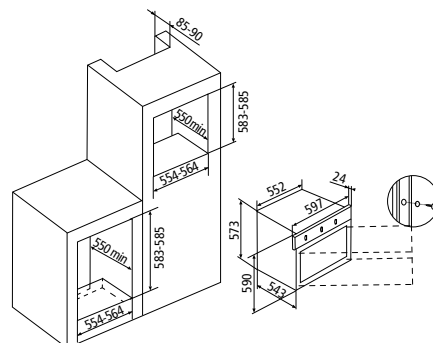
- Triple glass cold door

Details

- Titanium enamelled cavity
- Full flat glass inner door
- Removable inner glass door



GFS93IX
St. steel



Stylish



GFS53IX

Performance and features

- Multifunction oven
- Electronic programmer
- 64 lt oven capacity
- Tangential cooling fan
- Smooth sides with chromed racks

Functions: 5



Safety

Triple glass cold door

Details

- Titanium enamelled cavity
- Full flat glass inner door
- Removable inner glass door



GFS53IX
St. steel

Stylish



GFS92IX

Performance and features

- Multifunction oven
- Timer 120' end of cooking
- 64 lt oven capacity
- Tangential cooling fan
- Smooth sides with chromed racks

Functions: 9



Safety

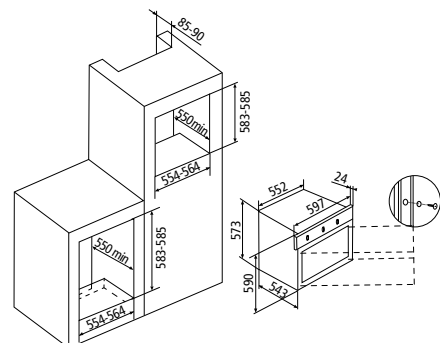
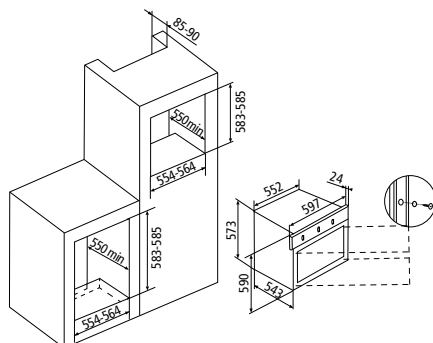
Triple glass cold door

Details

- Titanium enamelled cavity
- Full flat glass inner door
- Removable inner glass door



GFS92IX
St. steel



Stylish



GFS52IX

Performance and features

Multifunction oven
 Timer 120' end of cooking
 64 Lt oven capacity
 Tangential cooling fan
 Smooth sides with chromed racks

Functions: 5



Safety

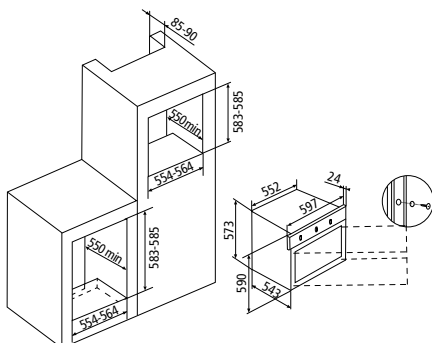
Triple glass cold door

Details

Titanium enamelled cavity
 Full flat glass inner door
 Removable inner glass door



GFS52IX
 St. steel



Excellence



GFEA93IX

Performance and features

Multifunction oven
 Electronic programmer
 64 Lt oven capacity
 Tangential cooling fan
 Smooth sides with chromed racks

Functions: 9



Safety

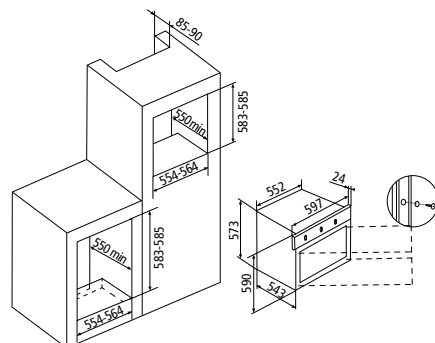
Triple glass cold door

Details

Titanium enamelled cavity
 Full flat glass inner door



GFEA93IX
 St. steel



Excellence



GFE92IX

Performance and features

- Multifunction oven
- Timer 120' end of cooking
- 64 Lt oven capacity
- Tangential cooling fan
- Smooth sides with chromed racks

Functions: 9



Safety

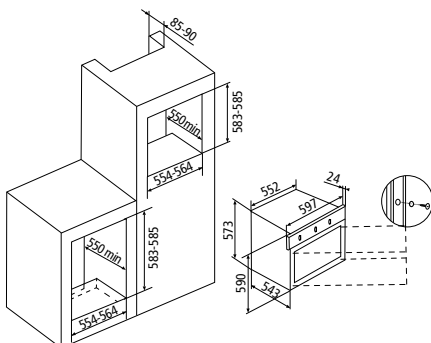
Triple glass cold door

Details

- Titanium enamelled cavity
- Full flat glass inner door



GFE92IX
St. steel



Excellence



GFE52IX

Performance and features

- Multifunction oven
- Timer 120' end of cooking
- 64 Lt oven capacity
- Tangential cooling fan
- Smooth sides with chromed racks

Functions: 5



Safety

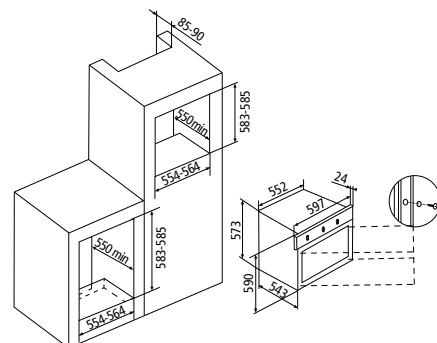
Triple glass cold door

Details

- Titanium enamelled cavity
- Full flat glass inner door



GFE52IX
St. steel



Excellence



GFEV21IX

Performance and features

Multifunction gas oven with fan
 Electric Grill
 60' Minute minder
 63 lt oven capacity
 Turnspit
 Tangential cooling fan
 Smooth sides with chromed racks

Functions: 6



Safety

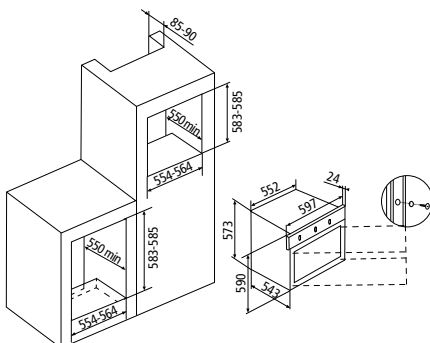
Triple glass cold door

Details

Titanium enamelled cavity
 Full flat glass inner door



GFEV21IX
 St. steel



Excellence



GFEW21IX

Performance and features

Multifunction gas oven with fan
 Gas Grill
 60' Minute minder
 60 lt oven capacity
 Turnspit
 Tangential cooling fan
 Smooth sides with chromed racks

Functions: 7



Safety

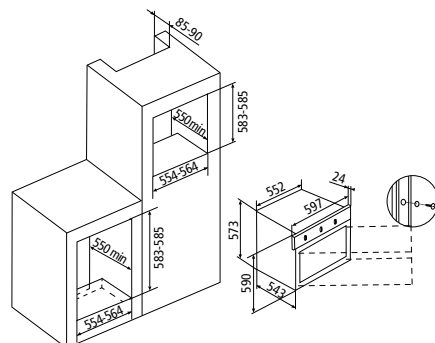
Triple glass cold door

Details

Titanium enamelled cavity
 Full flat glass inner door



GFEW21IX
 St. steel



Excellence



GFE21IX

Performance and features

- Gas oven
- Gas Grill
- 60' Minute minder
- 66 Lt oven capacity
- Turnspit
- Tangential cooling fan
- Smooth sides with chromed racks

Functions: 5



Safety

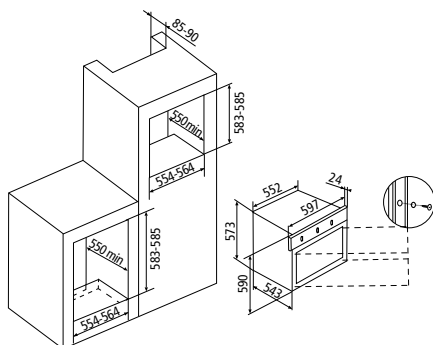
- Triple glass cold door

Details

- Titanium enamelled cavity
- Full flat glass inner door



GFE21IX
St. steel



Metropol



GFM52IX

Performance and features

- Multifunction oven
- Timer 120' end of cooking
- 60 Lt oven capacity
- Tangential cooling fan

Functions: 5



Details

- Titanium enamelled cavity
- Full flat glass inner door



GFM52WH



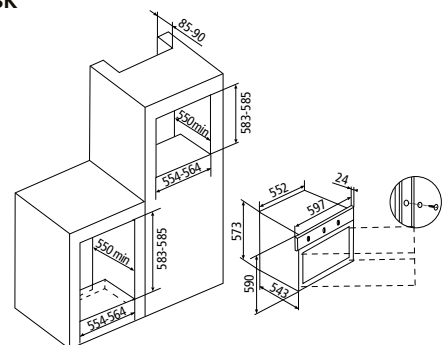
GFM52BK



GFM52IX
St. steel

GFM52WH
White

GFM52BK
Black



Metropol



GFMF21IX

Performance and features

- Gas oven
- Electric Grill
- 60' Minute minder
- 65 Lt oven capacity
- Turnspit
- Tangential cooling fan

Functions: 5



Details

- Titanium enamelled cavity
- Full flat glass inner door



GFMF21WH



GFMF21BK

Metropol



GFMG21WH

Performance and features

- Gas oven
- Gas Grill
- 60' Minute minder
- 62 Lt oven capacity
- Turnspit
- Tangential cooling fan

Functions: 5



Details

- Titanium enamelled cavity
- Full flat glass inner door



GFMG21BK



GFMF21IX
St. steel

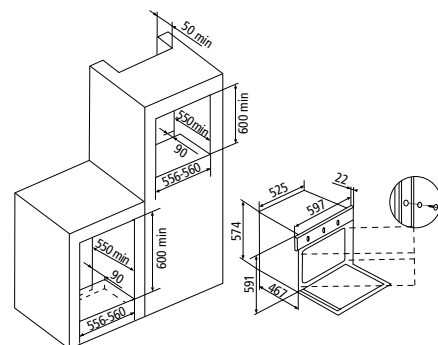
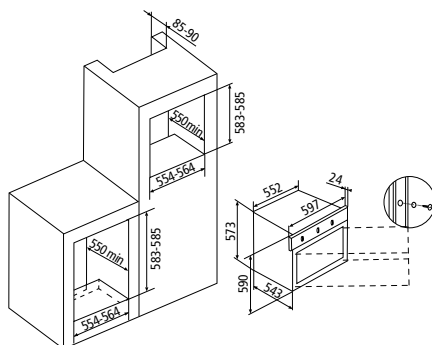
GFMF21WH
White

GFMF21BK
Black



GFMG21WH
White

GFMG21BK
Black



Excellence



GF9W21IXN

Performance and features

- Multifunction gas oven with fan - 90 cm
- Gas Grill
- 60' Minute minder
- 88 lt oven capacity
- Turnspit
- Tangential cooling fan
- Smooth sides with chromed racks

Functions: 10

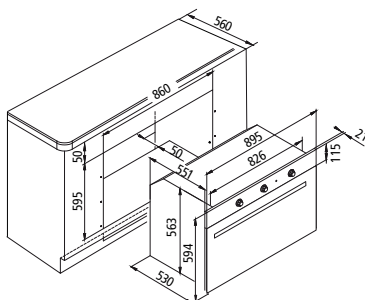


Details

Full flat glass inner door



GF9W21IXN
St. steel



Excellence



Excellence



GF9F21IXN

Performance and features

Gas oven - 90 cm
 Electric Grill
 60' Minute minder
 105 lt oven capacity
 Turnspit
 Tangential cooling fan
 Smooth sides with chromed racks



GF9F21BKN

Functions: 5



Details

Full flat glass inner door

GF9G21IXN

Performance and features

Gas oven - 90 cm
 Gas Grill
 60' Minute minder
 95 lt oven capacity
 Turnspit
 Tangential cooling fan
 Smooth sides with chromed racks



GF9G21BKN

Functions: 5



Details

Full flat glass inner door



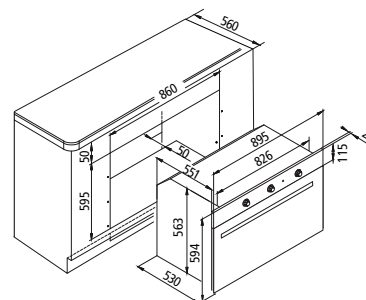
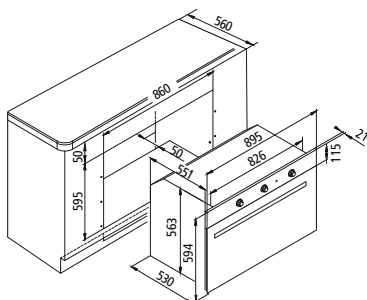
GF9F21IXN
 St. steel

GF9F21BKN
 Black



GF9G21IXN
 St. steel

GF9G21BKN
 Black



OVENS

Excellence



Contemporaneo



GF993IXN

Performance and features

Multifunction oven - 90 cm
 Electronic programmer
 89 lt oven capacity
 Turnspit
 Tangential cooling fan
 Smooth sides with chromed racks

Functions: 9



*Available on grill functions

Safety

Triple glass cold door

Details

Full flat glass inner door



GF993IXN
 St. steel

GFP993IX

Performance and features

Multifunction oven - 90 cm
 Electronic touch programmer
 89 lt oven capacity
 Turnspit
 Tangential cooling fan
 Smooth sides with chromed racks

Functions: 9



Safety

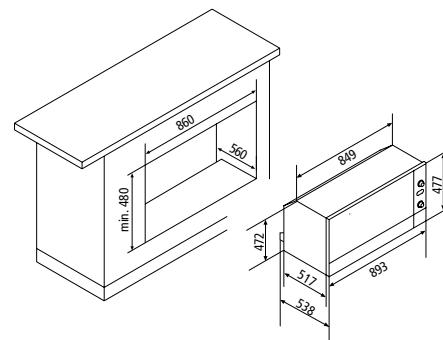
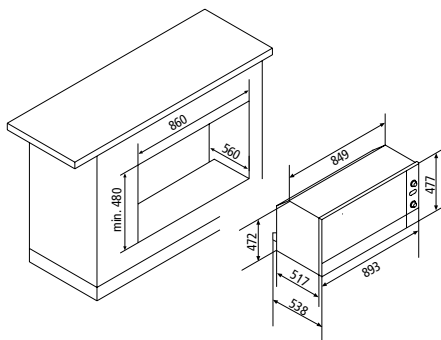
Triple glass cold door

Details

Full flat glass inner door



GFP993IX
 Black glass / St. steel frame



MICROWAVE OVEN

FUNCTIONS



GMI253IX

Performance and features

Built-in microwave
 Digital controls
 25 lt oven capacity
 Maximum power: 900 W
 Grill power: 1000 W
 5 power levels
 Digital clock
 Rack to cook "au gratin"
 31,5 cm rotary plate

Functions

Electronic timer 0 to 95' with sound signal
 Defrosting by weight/time

Safety

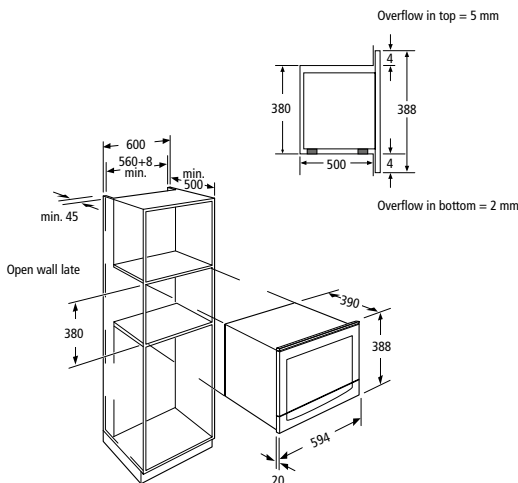
Child safety lock

Details

St. steel oven cavity



GMI253IX
 St. steel



OVEN LIGHT

It is operated utilizing the oven functions.



PIZZA

Ideal for cooking pizza.



PRE-HEATING

This time-saver preheats the oven approx. 30% faster by using all the heating elements at once.



TRADITIONAL COOKING

The heat is given by the bottom and upper oven elements. Ideal for pastry cooking and traditional recipes.



BOTTOM ELEMENT

Ideal for cooking pies and to give a final touch to the cooking.



BOTTOM ELEMENT WITH FAN

The heat of the bottom element is spread through the fan. Ideal for soufflés.



UPPER ELEMENT

This function allows direct cooking. Very good for cooking au gratin.



STATIC + FAN

The heat given by the bottom and upper oven elements is spread through the fan.



UPPER ELEMENT + FAN

This function allows direct cooking. Very good for cooking big pieces of meat.



GRILL

It is used to cook "au gratin". Ideal for cooking "thin" meat.



GRILL WITH FAN

The grill along with the fan spreads the heat in a homogenous way. It is ideal for cooking medium and very thick meat.



GRILL + TURNSPIT

Ideal for grilling.



DOUBLE GRILL

The grill along with the upper element allows grilling on wider areas.



DOUBLE GRILL WITH FAN

Ideal for grilling meat and for cooking fish.



MULTIFUNCTION (CIRCULAR + FAN)

The fan moves the hot air inside the oven, allowing homogeneous cooking on 3 levels, without spreading any smell.



DEFROSTING

The fan is operated without any element. It assures rapid defrosting in few minutes and in the best possible way.



LOW TEMP

The fan together with the preset temperature at 40 °C is ideal to defrost in low temperature or manteinig hot cooked dishes.



GAS

Traditional gas cooking.



GRILL GAS

Ideal for cooking with turnspit.



GRILL GAS WITH FAN

The fan spreads the heat produced by the grill gas in a homogeneous way. It is ideal for baking big pieces of meat.



GRILL GAS + TURNSPIT

Ideal for baking meats.



GRILL GAS WITH FAN + TURNSPIT

The grill gas with fan function is combined with turnspit.



GAS + TURNSPIT

Ideal for even cooking.



GAS WITH FAN

The fan spreads the heat produced by the gas burner in a homogeneous way.

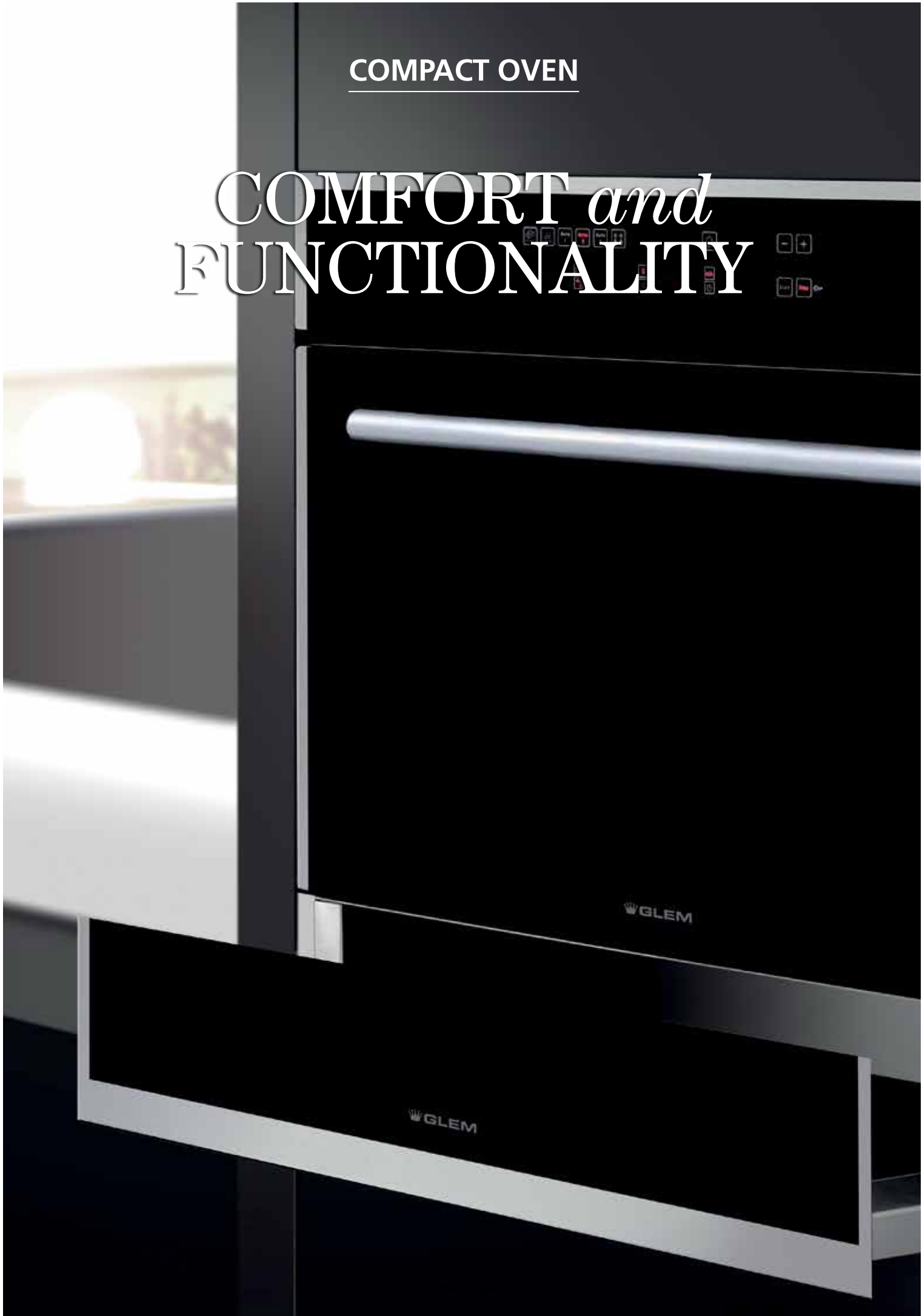


GAS WITH FAN + TURNSPIT

The gas with fan function is combined with turnspit.

COMPACT OVEN

COMFORT *and* FUNCTIONALITY



COMPACT OVEN

Contemporaneo



GFC16BK

Performance and features

Compact 45 cm steam oven
Digital touch controls - red display
35 lt oven capacity
Tangential cooling fan
4 power levels
Digital clock
Water tank (1,4 lt)
Side racks (4 levels)

Functions: 5

3 automatic recipes /12 menu
Electronic timer 0 to 90' with sound signal
Defrosting by weight/time
Preset function

Safety

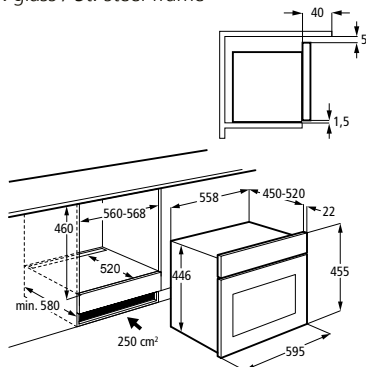
Child safety lock

Details

St. steel oven cavity
Drop down door



GFC16BK
Black glass / St. steel frame



DRAWER

Accessorie

WARMING DRAWER



GFCWDIX

Performance and features

15 cm drawer
6 dish servings/settings
20 dinner plates (ø 28 cm)
Useful height 10 cm
Adjustable thermostat 30°-70° C
Max power 430 W

Safety

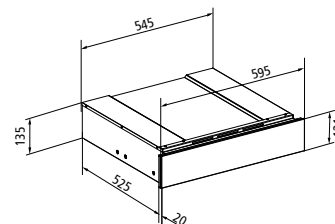
Thermal protection at 110° C
Illuminated On/Off switch

Details

St. steel drawer cavity
Push-pull opening system

WARMING DRAWER

GFCWDIX
Black / St. steel frame





TIMER

The Timer function allows you to program the cooking time: when the period of time elapses, the burner turns off automatically.



BOOSTER

When you need to save time and get cooking faster, you can use the booster function. It gives you an extra burst of energy that quickly heats your pan, and its contents, to the highest temperatures. It's perfect when you need to cook faster.



OVERFLOW SAFETY DEVICE

The hob switches off automatically when any water or other liquid overflows.



EASY TO CLEAN

Induction hobs do not convey heat so any spilled or overflowed liquid does not adhere to the surface and can be removed easily with a simple sponge.

INDUCTION HOBS

INDUCTION HOBS, CONTROLLED POWER



POWER AND CONTROL

The cooktop itself produces electromagnetic vibrations, which induce the pot or pan to generate its own heat. The results are shorter heat-up times, greater precision and a safer cooking surface.



PROTECTION AGAINST BURNS

Induction does not heat outside the pot space. The heat generated by the pot during use of the hob is not transmitted to the surface around the cooking area. There is also a warning light that indicates residual heat so you know when the area under the pot has cooled down to a safe temperature (< 60° C).



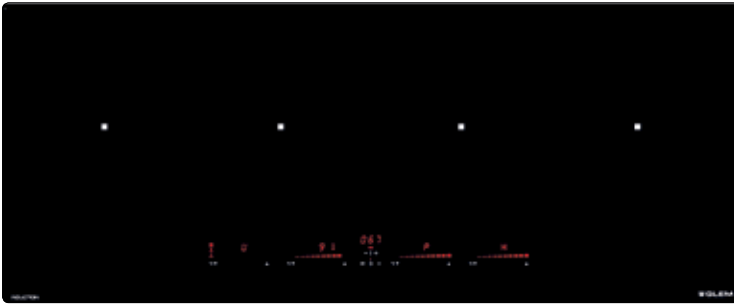
AUTOMATIC STOP

It activates automatically if the user forgets to turn off the heating element after cooking. In case there are no power variation within a limited period of time, the heating zone will switch off automatically.



AUTOMATIC TEMPERATURES

Three preset cooking temperatures, allow automatic preparation of a wide range of dishes. After selecting the most suitable cooking temperature (40° - 70° - 90°), you have the possibility to move freely without giving particular attention to the cooking, because a temperature sensor controls and maintains stable the cooking temperature. In this way you will optimize energy consumption with a great cooking result.



GTIP14BK

Performance and features

- 100 cm induction hob
- 4 zones
 - left Ø 210 mm - 2900 / 3700 W
 - central left Ø 210 mm - 2900 / 3700 W
 - central right Ø 210 mm - 2900 / 3700 W
 - right Ø 210 mm - 2900 / 3700 W
- Total power: 7.400 W
- 9 power levels
- 4 slider touch controls
- Timer

Functions

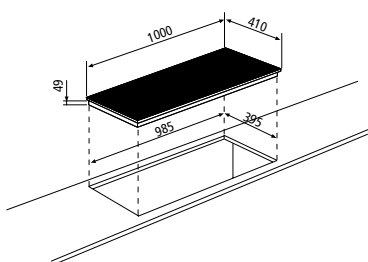
- Booster
- 3 automatic temperatures
- Heat up function: cooking programme featuring temporary booster

Safety

- Child safety lock
- Automatic temperatures
- Residual heat indicator
- Overflow safety device
- Pot diameter detector
- Automatic stop



GTIP14BK
Black ceramic glass



GTIP84BK

Performance and features

- 80 cm induction hob
- 4 zones
 - front left Ø 280 mm - 2600 / 3700 W
 - rear left Ø 180 mm - 2300 / 3000 W
 - front right Ø 210 mm - 2600 / 3700 W
 - rear right Ø 180 mm - 2300 / 3000 W
- Total power: 7.400 W
- 9 power levels
- 1 slider touch control
- Timer

Functions

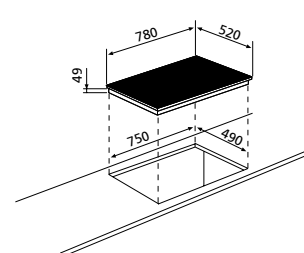
- Booster
- 2 automatic temperatures
- Heat up function: cooking programme featuring temporary booster

Safety

- Child safety lock
- Automatic temperatures
- Residual heat indicator
- Overflow safety device
- Pot diameter detector
- Automatic stop



GTIP84BK
Black ceramic glass



INDUCTION HOBS



GTI642

Performance and features

- 60 cm induction hob
- 4 zones
- front left Ø 190 mm - 1400 / 2000 W
- rear left Ø 160 mm - 1200 / 1400 W
- front right Ø 160 mm - 1200 / 1400 W
- rear right Ø 200 mm - 2300 / 3000 W
- Total power: 7.100 W
- 9 power levels
- Touch control
- Timer

Functions

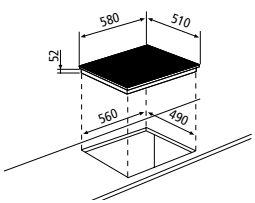
Booster

Safety

- Child safety lock
- Residual heat indicator
- Overflow safety device
- Pot diameter detector
- Automatic stop



GTI642
Black ceramic glass



GTI632

Performance and features

- 60 cm induction hob
- 3 zones
- front left Ø 190 mm - 1400 / 2000 W
- rear left Ø 160 mm - 1200 / 1400 W
- rear right Ø 250 mm - 2300 / 3000 W
- Total power: 6.400 W
- 9 power levels
- Touch control
- Timer

Functions

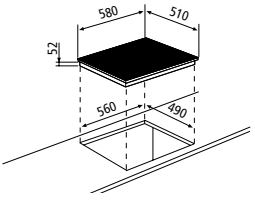
Booster

Safety

- Child safety lock
- Residual heat indicator
- Overflow safety device
- Pot diameter detector
- Automatic stop



GTI632
Black ceramic glass





HEAT UP

The heat up function allows to set the maximum temperature for a limited period of time on the selected cooking zone, then the temperature decreases down to the lower selected value.



TIMER

The Timer function allows you to program the cooking time: when the period of time elapses, the burner turns off automatically.



CERAMIC HOBS

The SOPHISTICATED COOKING



CHILDREN SAFETY LOCK

This device disables the functions of the hob immediately, preventing a child from adjusting or changing the control settings.

OSD

OVERFLOW SAFETY DEVICE

The hob switches off automatically when any water or other liquid overflows.



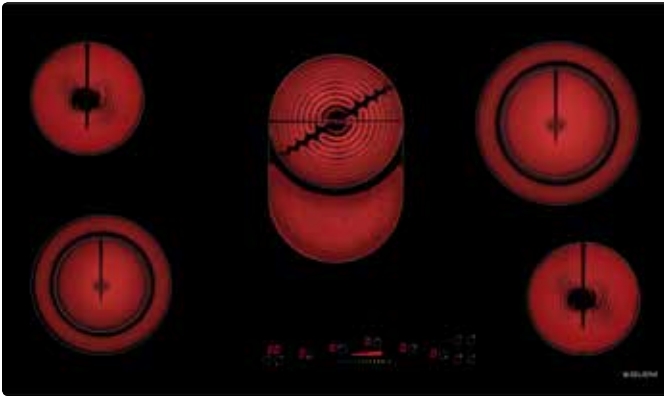
AUTOMATIC STOP

It activates automatically if the user forgets to turn off the heating element after cooking. In case there are no power variation within a limited period of time, the heating zone will switch off automatically.



RESIDUAL HEAT INDICATOR

All of Glem's glass ceramic hobs have a residual heat indicator. When the hob is turned off, the warning light stays on until the hob has cooled down to below 60 °C, in the interest of added safety.



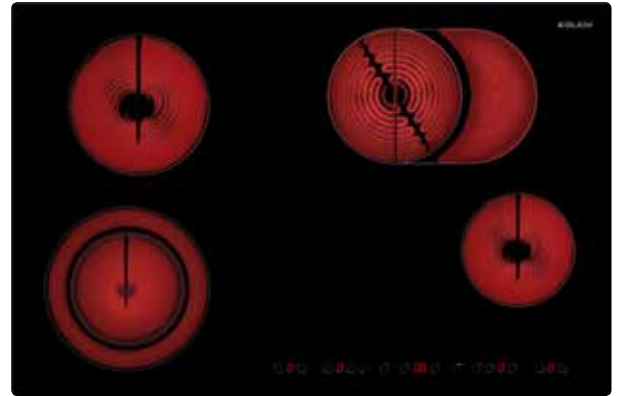
GTH96T

Performance and features

90 cm ceramic hob
 5 high-light zones (with 2 dual - 1 extensible hotplates)
 Total power: 8.500 W
 9 power levels
 Slider Touch controls
 Timer

Safety

Child safety lock
 Residual heat indicator
 Overflow safety device
 Automatic stop



GTH75TC

Performance and features

75 cm ceramic hob
 4 high-light zones (with 1 dual - 1 extensible hotplates)
 Total power: 7.600 W
 9 power levels
 Touch controls
 Timer

Safety

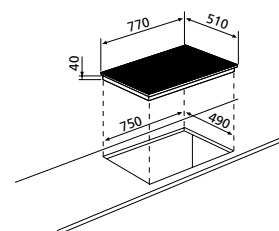
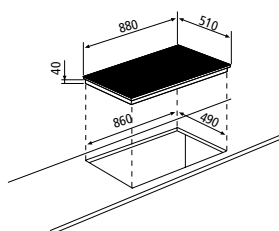
Child safety lock
 Residual heat indicator
 Overflow safety device
 Automatic stop

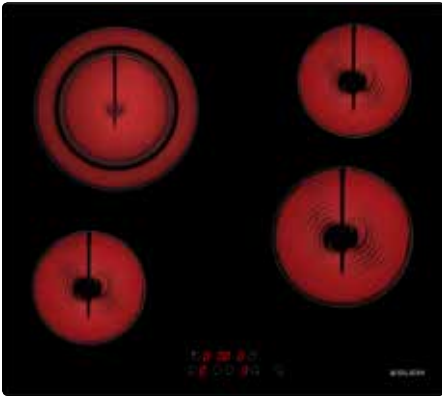


GTH96T
 Black



GTH75TC
 Black





GTH64TF

Performance and features

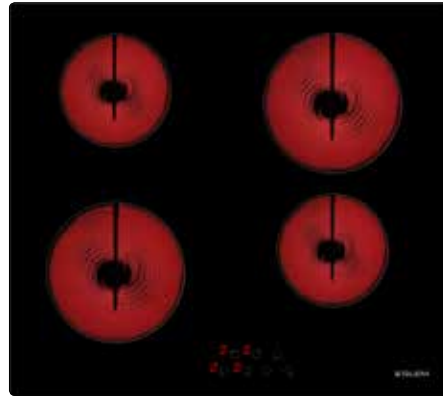
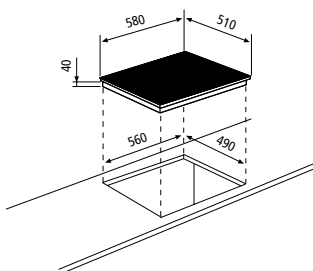
60 cm ceramic hob
 4 high-light zones (with 1 dual)
 Total power: 6.400 W
 9 power levels
 Touch controls
 Timer

Safety

Child safety lock
 Residual heat indicator
 Overflow safety device
 Automatic stop



GTH64TF
 Black



GTH64TC

Performance and features

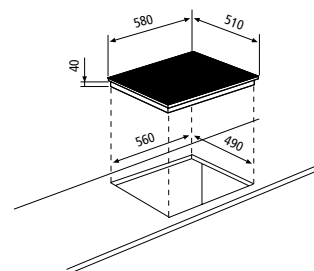
60 cm ceramic hob
 4 high-light zones
 Total power: 6.000 W
 9 power levels
 Touch controls

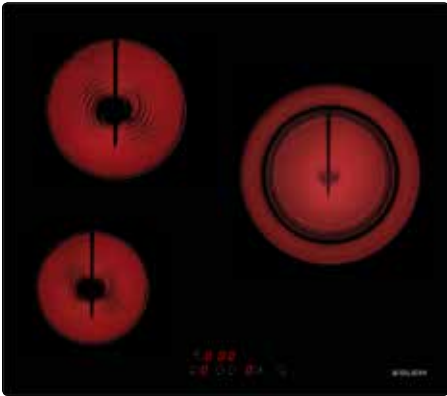
Safety

Child safety lock
 Residual heat indicator
 Overflow safety device
 Automatic stop



GTH64TC
 Black





GTH63TBK

Performance and features

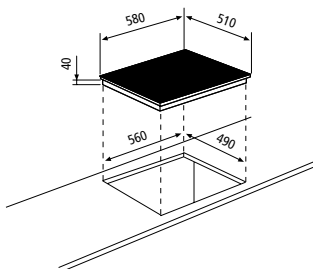
3 high-light zones (with 1 extensible hotplate):
to achieve a fast heat up time
Total power: 5.400 W
9 power levels
Touch controls
Timer

Function

Heat up function: cooking program featuring temporary booster

Safety

Child safety lock
Residual heat indicator
Overflow safety device
Automatic stop







CRYSTAL GAS HOBS

PURITY *of* GLASS



TRIPLE RING BURNER

The special burner with triple ring makes the most out of the power. The special shape of the burner permits uniformity of the flame. The power of 3.3 kW to 3.8 kW ensures maximum efficiency and faster cooking times.



ONE-HAND IGNITION

The one-hand ignition allows to ignite the hob through an easy pression of the knob.



CAST IRON PAN SUPPORT

Cast Iron is a very heat-resistant material that makes hobs long-lasting and similar to the professional ones, from an aesthetical point of view as well as from a functional one. They have been designed with particular attention to safety so that pans of any dimension can be put on them without falling over.



GV955BK

Performance and features

90 cm Crystal gas hob
 5 gas burners
 Total power: 10.800 W
 1 Powerful Wok burner: 3.500 W

Functions

One-hand electronic ignition

Safety

Flame failure device (FFD)

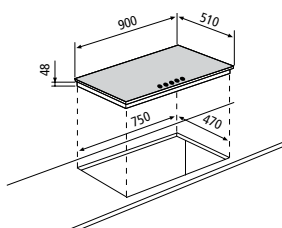
Details

5 singles rounds enamelled pan support



3500 W

GV955BK
 Black glass



Standard cut-out size



GV755BK

Performance and features

70 cm Crystal gas hob
 5 gas burners
 Total power: 7.300 W
 1 Powerful Wok burner: 3.500 W

Functions

One-hand electronic ignition

Safety

Flame failure device (FFD)

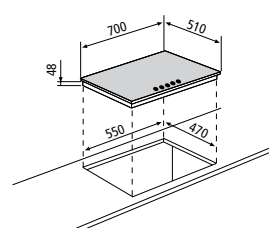
Details

5 singles rounds enamelled pan support



3500 W

GV755BK
 Black glass



Standard cut-out size

CRYSTAL GAS HOBS



GV64BK

Performance and features

60 cm Crystal gas hob
4 gas burners
Total power: 7.300 W

Functions

One-hand electronic ignition

Safety

Flame failure device (FFD)

Details

4 singles rounds enamelled pan support



 **GV64BK**
Black glass



GVP635HBK

Performance and features

60 cm Crystal gas hob
3 gas burners
Total power: 6.150 W
1 Powerful Wok burner: 3.500 W

Functions

One-hand electronic ignition

Safety

Flame failure device (FFD)

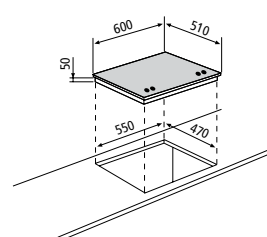
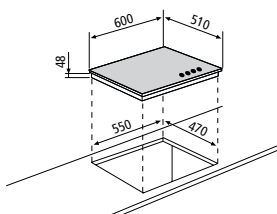
Details

3 singles rounds cast iron pan supports



3500 W

 **GVP635HBK**
Black glass





GAS HOBS

THINK *and* then COOK



DUAL BURNER WITH DUAL CONTROL

This powerful burner allows you to cook any food in the best possible manner and in the best possible time.

The dual control means you can adjust the flame for each individual ring at a power of between 0.8 kW and 4.5 kW. It is therefore possible to turn on the central ring or the dual outer ring, or both: for large and small pans, concentrating the heat and energy only where it is needed.



TRIPLE RING BURNER

The special burner with triple ring makes the most out of the power. The special shape of the burner permits uniformity of the flame. The power of 3.3 kW to 3.8 kW ensures maximum efficiency and faster cooking times.



ONE-HAND IGNITION

The one-hand ignition allows to ignite the hob through an easy pression of the knob.



CAST IRON PAN SUPPORT

Cast Iron is a very heat-resistant material that makes hobs long-lasting and similar to the professional ones. They have been designed with particular attention to safety so that pans of any dimension can be placed them without falling over.



GT951HIX

Performance and features

90 cm gas hob
 5 gas burners
 1 Dual Wok burner: 800-4.500 W
 Total power: 12.000 W
 One-hand electronic ignition
 Flame failure device (FFD)

Details

Cast iron pan supports
 Dedicated Dual Wok area with 2 knobs control



GT955HIX

Performance and features

90 cm gas hob
 5 gas burners
 1 Wok burner: 3.800 W
 Total power: 11.300 W
 One-hand electronic ignition
 Flame failure device (FFD)

Details

Cast iron pan supports



GT955HWH



GT955HBK



4500 W

GT951HIX (FFD)
 St. steel

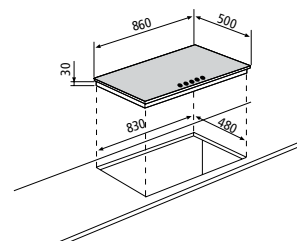
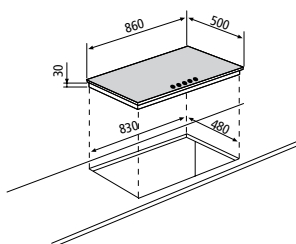


3800 W

GT955HIX (FFD)
 St. steel

GT955HWH (FFD)
 White

GT955HBK (FFD)
 Black





GT955IX

Performance and features

90 cm gas hob
5 gas burners
1 Wok burner: 3.800 W
Total power: 11.300 W
One-hand electronic ignition
Flame failure device (FFD)



GT955WH - GT955NWH

Details

Matt enamelled pan supports
Also available without FFD

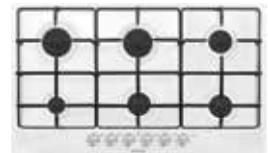


GT955BK - GT955NBK

GT96NIX

Performance and features

90 cm gas hob
6 gas burners
Total power: 12.250 W
One-hand electronic ignition



GT96NWH

Details

Matt enamelled pan supports



GT96NBK



3800 W

● **GT955IX (FFD)**
St. steel

● **GT955WH (FFD)**
White

● **GT955BK (FFD)**
Black

Without FFD



3800 W

● **GT955NIX**
St. steel

● **GT955NWH**
White

● **GT955NBK**
Black

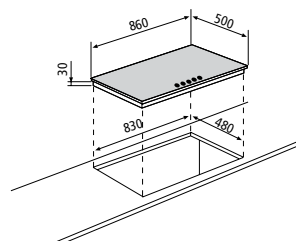
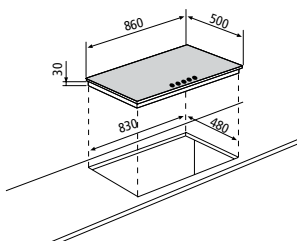
Without FFD



● **GT96NIX**
St. steel

● **GT96NWH**
White

● **GT96NBK**
Black

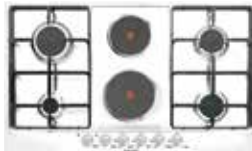




GT968NIX

Performance and features

90 cm gas hob
 4 gas burners + 2 hot plates
 Total electrical power: 3.500 W
 Total gas power: 7.500 W
 One-hand electronic ignition



GT968NWH

Details

Matt enamelled pan supports



GT968NBK

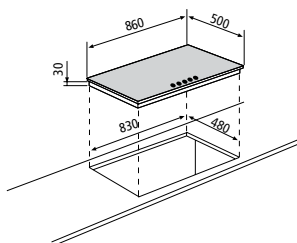
Without FFD



GT968NIX
 St. steel

GT968NWH
 White

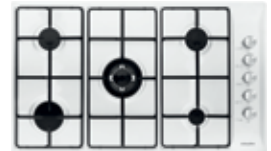
GT968NBK
 Black



GTL955IX

Performance and features

90 cm gas hob
 5 gas burners
 1 Wok burner: 3.300 W
 Total gas power: 10.800 W
 One-hand electronic ignition
 Flame failure device (FFD)



GTL955NWH - GTL955NWH

Details

Matt enamelled pan supports
 Also available without FFD



GTL955BK - GTL955NBK

Without FFD



3300 W

GTL955IX (FFD)
 St. steel

GTL955WH (FFD)
 White

GTL955BK (FFD)
 Black

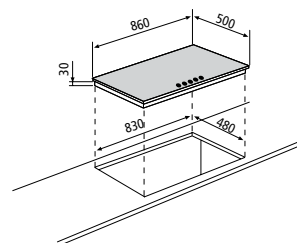


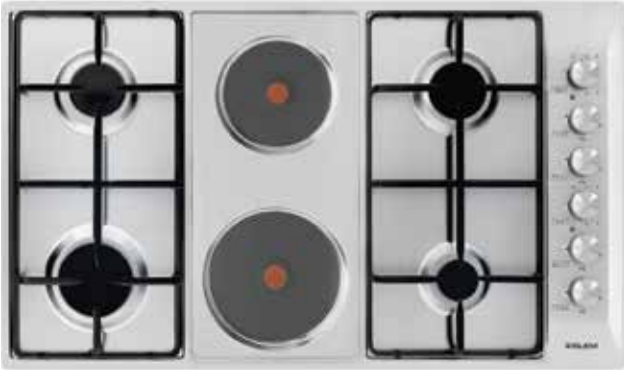
3300 W

GTL955NIX
 St. steel

GTL955NWH
 White

GTL955NBK
 Black





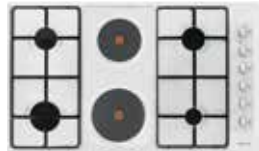
GTL968IX

Performance and features

90 cm gas hob
4 gas burners + 2 hot plates
Total electrical power: 3.500 W
Total gas power: 7.500 W
One-hand electronic ignition
Flame failure device (FFD)

Details

Matt enamelled pan supports
Also available without FFD



GTL968WH - GTL968NWH



GTL968BK - GTL968NBK

GTS51HIX

Performance and features

75 cm semi-flush gas hob
5 gas burners
1 Dual Wok burner: 800-4.500 W
Total power: 12.000 W
One-hand electronic ignition
Flame failure device (FFD)

Details

Cast iron pan supports
Dedicated Dual Wok area with 2 knobs control



GTL968IX (FFD)
St. steel

GTL968WH (FFD)
White

GTL968BK (FFD)
Black

Without FFD



GTL968NIX
St. steel

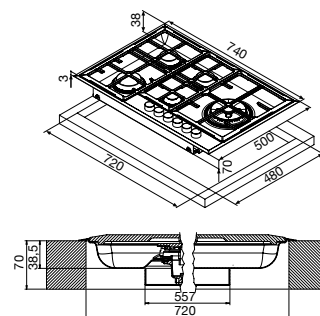
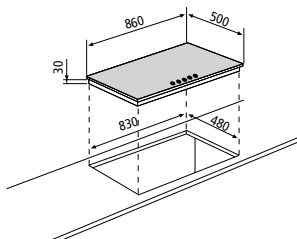
GTL968NWH
White

GTL968NBK
Black



4500 W

GTS51HIX (FFD)
St. steel





GT851HIX

Performance and features

75 cm gas hob
 5 gas burners
 1 Dual Wok burner: 800-4.500 W
 Total power: 12.000 W
 One-hand electronic ignition
 Flame failure device (FFD)

Details

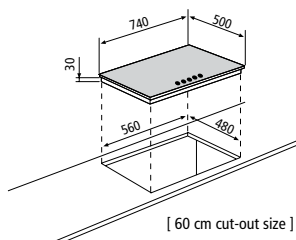
Cast iron pan supports
 Dedicated Dual Wok area with 2 knobs control



4500 W



GT851HIX (FFD)
 St. steel



GT842HIX

Performance and features

75 cm gas hob
 4 gas burners
 1 Dual Wok burner: 800-4.500 W
 1 Wok burner: 3.300 W
 Total power: 10.550 W
 One-hand electronic ignition
 Flame failure device (FFD)

Details

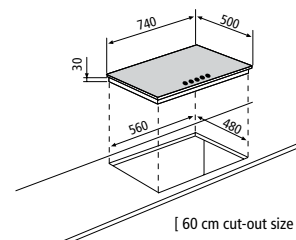
Cast iron pan supports
 Dedicated Dual Wok area with 2 knobs control



4500 W 3300 W



GT842HIX (FFD)
 St. steel





GT871HIX

Performance and features

75 cm gas hob
 5 gas burners
 1 Dual Wok burner: 800-4.500 W
 Total power: 12.000 W
 One-hand electronic ignition
 Flame failure device (FFD)

Details

Cast iron pan supports
 Dedicated Dual Wok area with 2 knobs control



GT755HIX

Performance and features

70 cm gas hob
 5 gas burners
 1 Wok burner: 3.300 W
 Total power: 10.800 W
 One-hand electronic ignition
 Flame failure device (FFD)

Details

Cast iron pan supports



GT755HWH



GT755HBK



4500 W

GT871HIX (FFD)
 St. steel

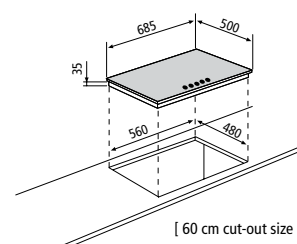
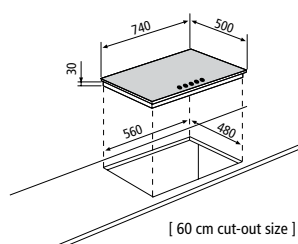


3300 W

GT755HIX (FFD)
 St. steel

GT755HWH (FFD)
 White

GT755HBK (FFD)
 Black





GT755IX

Performance and features

70 cm gas hob
 5 gas burners
 1 Wok burner: 3.300 W
 Total power: 10.800 W
 One-hand electronic ignition
 Flame failure device (FFD)



GT755WH - GT755NWH

Details

Matt enamelled pan supports
 Also available without FFD



GT755BK - GT755NBK



GT731IX

Performance and features

70 cm gas hob
 3 gas burners
 1 Dual Wok burner: 800-4.500 W
 Total power: 8.000 W
 One-hand electronic ignition
 Flame failure device (FFD)

Details

Matt enamelled pan supports
 Dedicated Dual Wok area with 2 knobs control
 Also available without FFD



3300 W

GT755IX (FFD)
 St. steel

GT755WH (FFD)
 White

GT755BK (FFD)
 Black

Without FFD



3300 W

GT755NIX
 St. steel

GT755NWH
 White

GT755NBK
 Black



4500 W

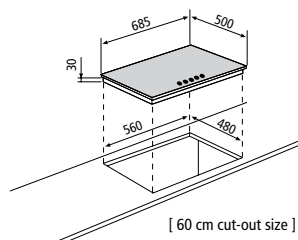
GT731IX (FFD)
 St. steel

Without FFD

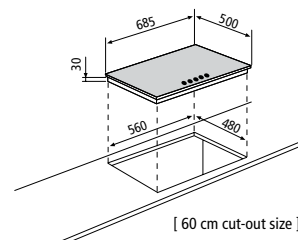


4500 W

GT731NIX
 St. steel



[60 cm cut-out size]



[60 cm cut-out size]



GT685HIX

Performance and features

60 cm gas hob
4 gas burners
1 Wok burner: 3.300 W
Total power: 8.300 W
One-hand electronic ignition
Flame failure device (FFD)

Details

Cast iron pan supports



GT685HWH



GT685HBK



GT64HIX

Performance and features

60 cm gas hob
4 gas burners
Total power: 7.500 W
One-hand electronic ignition
Flame failure device (FFD)

Details

Cast iron pan supports



GT64HWH



GT64HBK



3800 W

GT685HIX (FFD)
St. steel

GT685HWH (FFD)
White

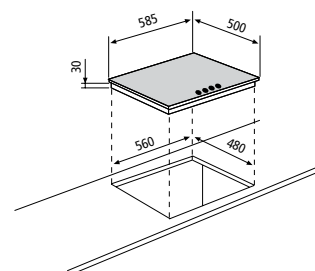
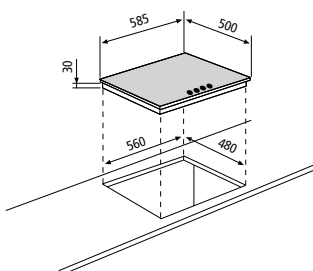
GT685HBK (FFD)
Black



GT64HIX (FFD)
St. steel

GT64HWH (FFD)
White

GT64HBK (FFD)
Black





GT64IX

Performance and features

60 cm gas hob
 4 gas burners
 Total power: 7.500 W
 One-hand electronic ignition
 Flame failure device (FFD)

Details

Matt enamelled pan supports
 Also available without FFD



GT64WH - GT64NWH



GT64BK - GT64NBK



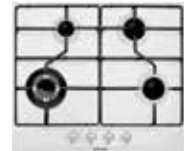
GT685IX

Performance and features

60 cm gas hob
 4 gas burners
 1 Wok burner: 3.300 W
 Total power: 8.300 W
 One-hand electronic ignition
 Flame failure device (FFD)

Details

Matt enamelled pan supports
 Also available without FFD



GT685WH - GT685NWH




GT685BK - GT685NBK




Without FFD



 **GT64IX (FFD)**
St. steel

 **GT64NIX**
St. steel

 **GT64WH (FFD)**
White


 **GT64NWH**
White


 **GT64BK (FFD)**
Black


 **GT64NBK**
Black



3800 W

 **GT685IX (FFD)**
St. steel

 **GT685WH (FFD)**
White

 **GT685BK (FFD)**
Black

Without FFD

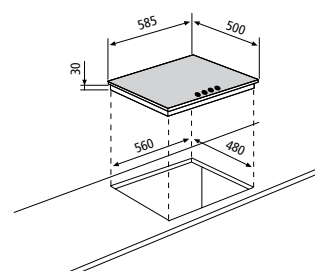
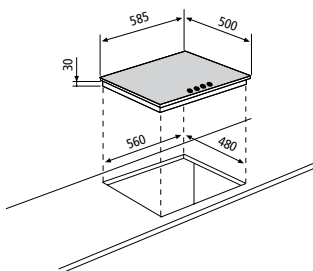


3800 W

 **GT685NIX**
St. steel

 **GT685NWH**
White

 **GT685NBK**
Black





GT645IX

Performance and features

60 cm gas hob
 4 gas burners
 1 Wok burner: 3.300 W
 Total power: 9.050 W
 One-hand electronic ignition
 Flame failure device (FFD)

Details

Matt enamelled pan supports



GT647IX

Performance and features

60 cm gas hob
 3 gas burners + 1 hot plate
 Total power: 7.250 W
 One-hand electronic ignition
 Flame failure device (FFD)

Details

Matt enamelled pan supports
 Also available without FFD



GT647WH - GT647NWH



GT647BK - GT647NBK



3800 W

GT645IX (FFD)
 St. steel



GT647IX (FFD)
 St. steel

GT647WH (FFD)
 White

GT647BK (FFD)
 Black

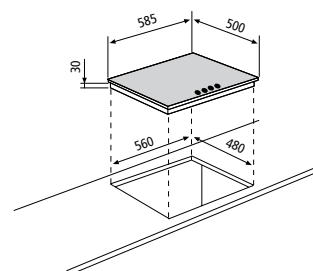
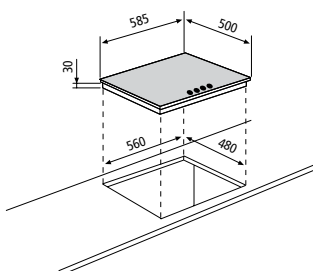
Without FFD



GT647NIX
 St. steel

GT647NWH
 White

GT647NBK
 Black



GAS HOBS



GTL64IX

Performance and features

60 cm gas hob
4 gas burners
Total power: 7.500 W
One-hand electronic ignition
Flame failure device (FFD)

Details

Matt enamelled pan supports
Also available without FFD



GTL64WH - GTL64NWH



GTL64BK - GTL64NBK



GTL647IX

Performance and features

60 cm gas hob
3 gas burners + 1 hot plate
Total power: 7.250 W
One-hand electronic ignition
Flame failure device (FFD)

Details

Matt enamelled pan supports
Also available without FFD



GTL647WH - GTL647NWH



GTL64IX (FFD)
St. steel

GTL64WH (FFD)
White

GTL64BK (FFD)
Black

Without FFD



GTL64NIX
St. steel

GTL64NWH
White

GTL64NBK
Black



GTL647IX
St. steel

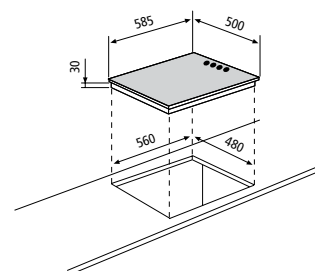
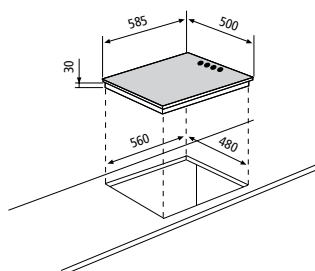
GTL647WH
White

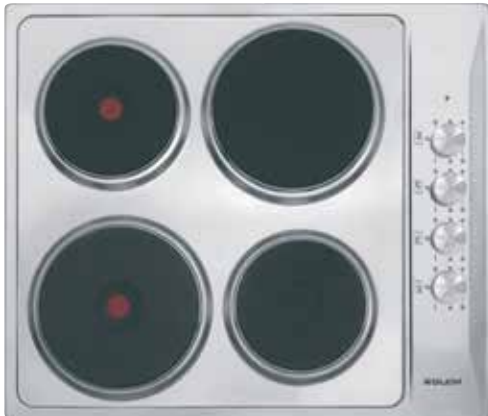
Without FFD



GTL647NIX
St. steel

GTL647NWH
White





GTL640IX

Performance and features

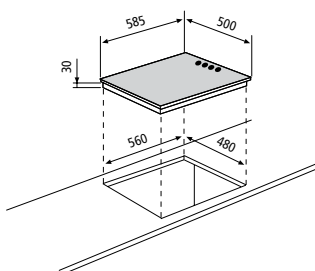
60 cm electric hob
4 hot plates
Total power: 6.000 W



GTL640WH

 **GTL640IX**
St. steel

 **GTL640WH**
White



DOMINO HOBS

Your TAILOR
MADE LAYOUT





GTIP42BK

Performance and features

38 cm wide – Induction Domino
 2 zones
 Total power: 3.700 W
 9 power levels
 2 sliders touch controls
 Timer

Functions

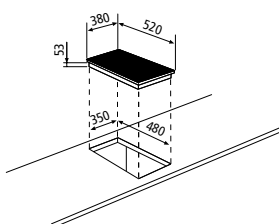
Booster: to increase the power of any cooking zone up to 75%
 3 automatic temperatures
 Heat up function: cooking programme featuring temporary booster
 Bridge function: allows two heating zones to be controlled and treated as one

Safety

Child safety lock
 Residual heat indicator
 Overflow safety device
 Pot diameter detector
 Automatic stop



GTIP42BK
 Black ceramic glass



GTIPW41BK

Performance and features

38 cm wide – Wok Domino
 1 Wok burner: 3.000 W
 9 power levels
 1 slider touch control
 Timer

Functions

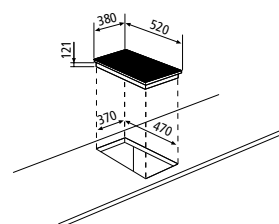
Booster: to increase the power of any cooking zone up to 75%
 3 automatic temperatures
 Heat up function: cooking programme featuring temporary booster

Safety

Child safety lock
 Residual heat indicator
 Overflow safety device
 Pot diameter detector
 Automatic stop



GTIPW41BK
 Black ceramic glass





GTPN42BK

Performance and features

38 cm wide – Teppanyaki induction Domino
 2 independent thermostatically controlled cooking areas
 Total power: 2.800 W
 9 power levels
 Slider touch controls
 2 timers (1 for egg cooking)
 Digital clock

Functions

Temperature regulator between 50° and 220°
 Memory
 Bridge function: allows two heating zones to be controlled and treated as one


Safety

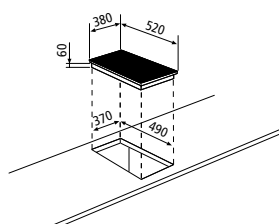
Child safety lock
 Residual heat indicator
 Overflow safety device
 Over temperature cut-off
 Automatic stop

Details

Full glass control panel



 **GTPN42BK**
 St. steel grill plate



GTHP42BK

Performance and features

38 cm wide – Ceramic Domino
 2 high-light zones: to achieve a fast heat up time
 Total power: 3.000 W
 9 power levels
 Digital controls
 Digital clock
 2 Timers (1 for the egg cooking)


Functions

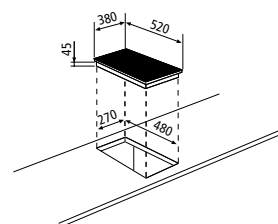
Automatic cooking
 Booster: to increase the power of any cooking zone up to 75%

Safety

Child safety lock
 Residual heat indicator
 Over temperature cut-off
 Overflow safety device
 Automatic stop



 **GTHP42BK**
 Black ceramic glass





GVP415HBK

Performance and features

38 cm wide – High power Ceramic Domino gas
1 Powerful Wok: 5.000 W

Functions

One-hand electronic ignition

Safety

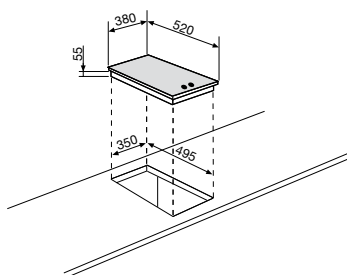
Flame failure device (FFD)

Details

Single round cast iron pan support
Wok support



GVP415HBK
Black ceramic glass



GVP42HBK

Performance and features

38 cm wide – Ceramic Domino gas
2 gas burners
Total power: 4.000 W

Functions

One-hand electronic ignition

Safety

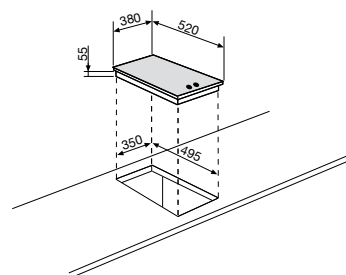
Flame failure device (FFD)

Details

2 Singles rounds cast iron pan supports
Wok support



GVP42HBK
Black ceramic glass





GT415HIX

Performance and features

37 cm wide – Domino gas
 1 Powerful Wok: 3.800 W
 One-hand electronic ignition
 Flame failure device (FFD)

Details

Cast iron pan support



GT42HIX

Performance and features

37 cm wide – Domino gas
 2 gas burners
 Total power: 4.000 W
 One-hand electronic ignition
 Flame failure device (FFD)

Details

Cast iron pan support



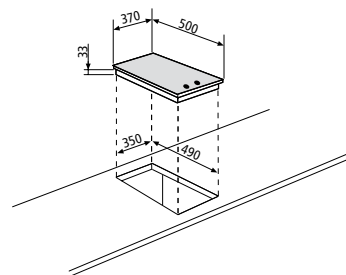
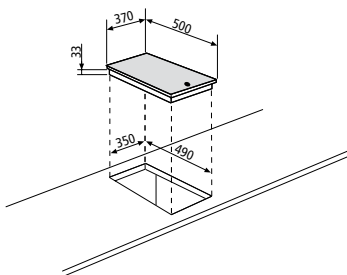
3800 W



GT415HIX
 St. steel



GT42HIX
 St. steel





GTI322

Performance and features

30 cm wide – Induction Domino
 2 zones
 - front left Ø 160 mm - 1400 W
 - rear left Ø 200 mm - 1400 / 2000 W
 Total power: 3.400 W
 9 power levels
 Touch controls
 Timer

Functions

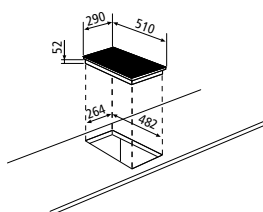
Booster

Safety

Child safety lock
 Residual heat indicator
 Overflow safety device
 Pot diameter detector
 Automatic stop



GTI322
 Black ceramic glass



GTH32K

Performance and features

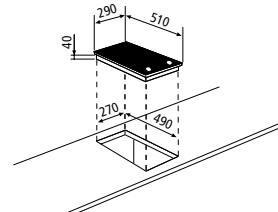
30 cm wide – Ceramic Domino
 2 high-light zones
 Total power: 3.000 W
 6 power levels
 Frontal knobs controls

Safety

Residual heat indicator



GTH32K
 Black ceramic glass





GT32IX

Performance and features

30 cm wide – Domino gas
 2 gas burners
 Total power: 4.000 W
 One-hand electronic ignition
 Flame failure device (FFD)

Details

Matt enamelled pan supports
 Also available without FFD

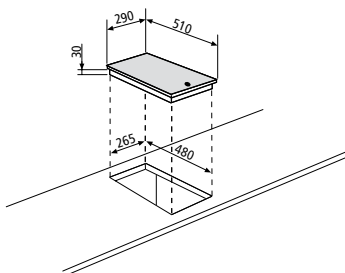


GT32IX (FFD)
 St. steel

Without FFD



GT32NIX
 St. steel



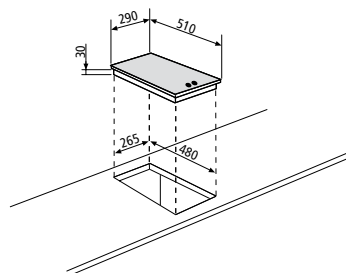
GT320IX

Performance and features

30 cm wide – Domino electric
 2 hot plates
 Total power: 3.500 W
 Power on indicator



GT320IX
 St. steel



DOMINO HOBS



GT3BIX

Performance and features

30 cm wide – Domino electric
Barbecue: 2.400 W
Power on indicator

Details

Enamelled pan support



GT3FIX

Performance and features

30 cm wide – Domino electric
Fryer: 2.300 W
Power on indicator



GTH32KIX

Performance and features

30 cm wide – Ceramic Domino electric
2 high-light zones
Total power: 3.000 W
Power on indicator



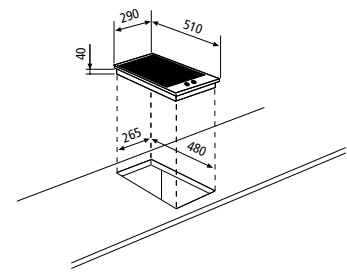
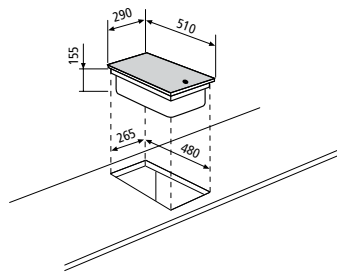
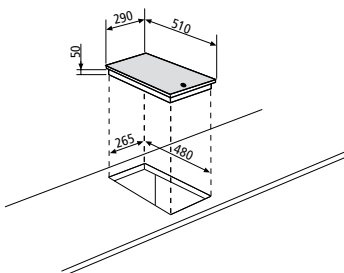
GT3BIX
St. steel



GT3FIX
St. steel



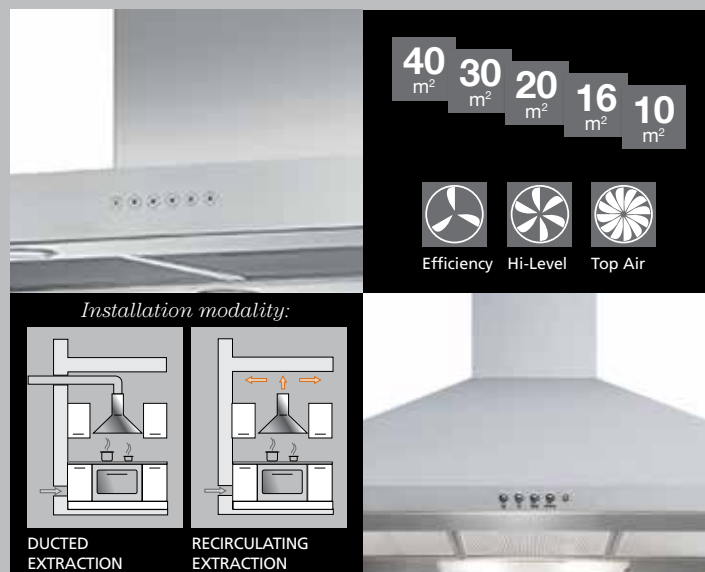
GTH32KIX
St. steel





HOODS

POWER *and* SILENCE



PERIMETRAL ASPIRATION

Thanks to the special restriction created, the perimeter extraction system generates an increase in air speed and reduces the quantity of fumes which escape beyond the hood's extraction rim. The stainless steel panels add prestige to the product for a more elegant, sophisticated look. The flat, smooth surface also makes the hood easier to clean.



POWER LEVEL (1 - 2 - 3)

Glem offers a variety of extractor units so you can select the one best suited to your personal needs.

STYLE AND ELEGANCE

Kitchens are all the more in harmony with the home, with efficient extractor systems that blend in with the design of the furniture. Glem presents a range of updated models with a suitable image and improved functionality that can fit in with any types of kitchen furniture; they can be installed under cabinets or independently on a wall. Made of stainless steel and glass, with sophisticated details, Glem hoods can add elegance to kitchen environments.

FILTERS

There are two types of filter that optimize use of the hoods: a grease filter and an active carbon odour filter (provided as standard with Glem hoods). The grease filter comes in two types: metal or synthetic, and protects the motor by preventing grease in the cooking fumes from damaging it. The metal filter can be cleaned in the dishwasher. The odour filter is an active carbon filter that purifies the air before expelling it back into the kitchen environment.



SATURATION FILTER ALARM

After 30 hours of operation, a flashing signal from the operating panel advises the user that it is necessary to clean the anti-grease filters. Similarly, after 120 hours of use, a different flashing signal indicates that the carbon filters (wherever present) need to be replaced. The above noted procedures are fundamental in order to guarantee the maximum efficiency of the product.



GIB98IX ISLAND HOOD

Performance and features

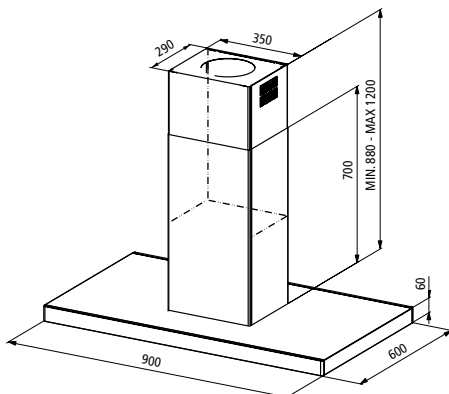
- 90 cm wide
- Electronic controls
- 3 speeds + 1 intensive
- 4x20W halogen lamps
- Aluminium grease filters
- Carbon filters
- Maximum extraction rate 700 m³/h

Functions

- Filters saturation alarm
- Booster: 10' at full power to eliminate intense odours/steam



GIB98IX
St. steel





GHS981X WALL GLASS HOOD

Performance and features

90 cm wide
 Electronic controls
 2 speeds + 1 intensive
 2x20W halogen lamps
 Aluminium grease filters
 Carbon filter
 Maximum extraction rate 735 m³/h

Functions

Booster: 10' at full power to eliminate intense odours/steam



GHS681X WALL GLASS HOOD

Performance and features

60 cm wide
 Electronic controls
 2 speeds + 1 intensive
 2x20W halogen lamps
 Aluminium grease filters
 Carbon filter
 Maximum extraction rate 735 m³/h

Functions

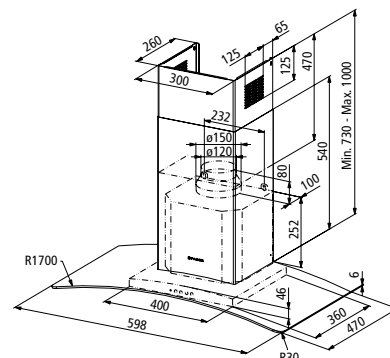
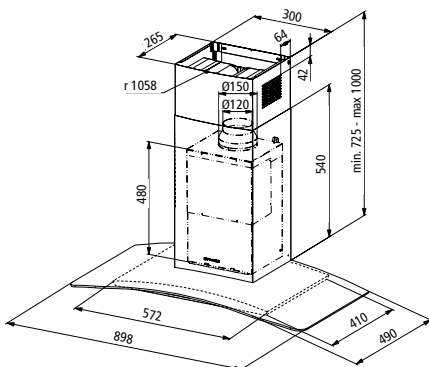
Booster: 10' at full power to eliminate intense odours/steam



GHS981X
 St. steel / glass



GHS681X
 St. steel / glass





GHB981X WALL BOX HOOD

Performance and features

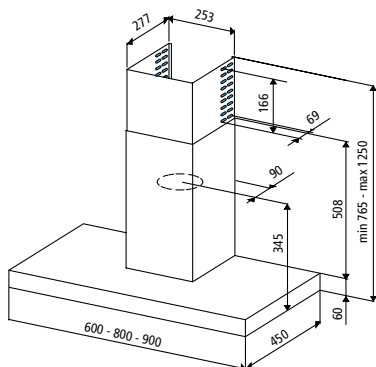
- 90 cm wide
- Electronic controls
- 2 speeds + 1 intensive
- 2x20W halogen lamps
- Aluminium grease filters
- Carbon filter
- Maximum extraction rate 735 m³/h

Functions

- Booster: 10' at full power to eliminate intense odours/steam



GHB981X
St. steel





GHP980IX WALL CHIMNEY HOOD

Performance and features

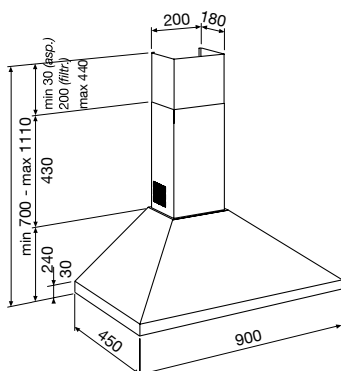
90 cm wide
 Electronic soft touch controls
 3 speeds + 1 intensive
 2x20W halogen lamps
 Aluminium grease filters
 Carbon filter
 Maximum extraction rate 725 m³/h

Functions

Delay timer
 Filters saturation alarm
 Booster: 6' at full power to eliminate intense odours/steam



GHP980IX
St. steel



GHP680IX WALL CHIMNEY HOOD

Performance and features

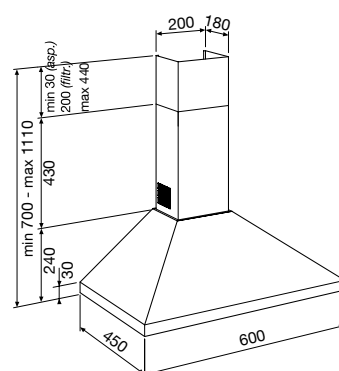
60 cm wide
 Electronic soft touch controls
 3 speeds + 1 intensive
 2x20W halogen lamps
 Aluminium grease filters
 Carbon filter
 Maximum extraction rate 725 m³/h

Functions

Delay timer
 Filters saturation alarm
 Booster: 6' at full power to eliminate intense odours/steam



GHP680IX
St. steel





GHP940IX WALL CHIMNEY HOOD

Performance and features

- 90 cm wide
- Push buttons
- 3 speeds
- 2x28W halogen lamps
- Aluminium grease filters
- Carbon filter
- Maximum extraction rate 420 m³/h



GHP640IX WALL CHIMNEY HOOD

Performance and features

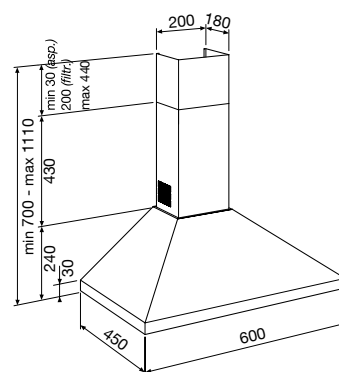
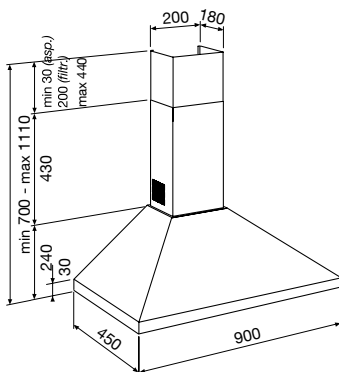
- 60 cm wide
- Push buttons
- 3 speeds
- 2x28W halogen lamps
- Aluminium grease filters
- Carbon filter
- Maximum extraction rate 420 m³/h



GHP940IX
St. steel



GHP640IX
St. steel





GHC95IX

Performance and features

- 90 cm wide
- Push buttons
- 3 speeds
- 2x28W halogen lamps
- Aluminium grease filters
- Carbon filter
- Maximum extraction rate 360 m³/h

GHC65IX

Performance and features

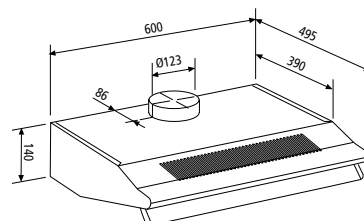
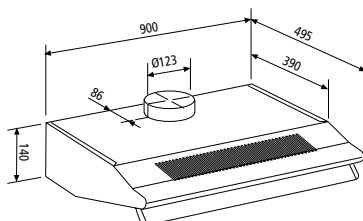
- 60 cm wide
- Push buttons
- 3 speeds
- 2x28W halogen lamps
- Metallic grease filters
- Carbon filter
- Maximum extraction rate 360 m³/h



GHC95IX
Full St. steel



GHC65IX
Full St. steel



HOODS



GHE90SI - GHE60SI

Performance and features

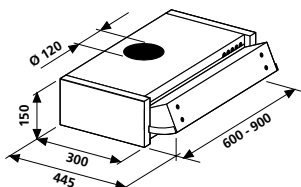
- 90 - 60 cm wide
- Slider controls
- 3 speeds
- 1x28W halogen lamps
- Acrylic grease filters
- Carbon filter
- Maximum extraction rate 171 m³/h



GHE90SI
Silver



GHE60SI
Silver



TECHNICAL FEATURES OVENS

	GFP16	GFP13	GFP93	GFS93	GFS53	GFS92
Collection	Contemporaneo	Contemporaneo	Contemporaneo	Stylish	Stylish	Stylish
Type	Multifunction	Multifunction	Multifunction	Multifunction	Multifunction	Multifunction
Colour	IX	IX	IX	IX	IX	IX
Supply	Electric	Electric	Electric	Electric	Electric	Electric
FUNCTIONS						
Programs number	13	11	9	9	5	9
Light	-	-	-	-	-	-
Pizza	•	•	•	•	-	•
Pre-heating	-	•	•	•	-	•
Traditional cooking	•	•	•	•	•	•
Bottom element	-	•	-	-	•	-
Bottom element + fan	•	•	-	-	•	-
Upper element	•	-	-	-	-	-
Grill	•	•	•	•	-	•
Grill + upper element (double grill)	•	-	•	•	-	•
Double grill + fan	•	•	•	•	-	•
Double grill + turnspit	-	-	-	-	-	-
Double grill + fan + turnspit	-	-	-	-	-	-
Grill + fan	•	-	-	-	•	-
Grill + turnspit	-	-	-	-	-	-
Grill + fan + turnspit	-	-	-	-	-	-
Static + fan	•	•	•	•	•	•
Multifunction (circular + fan)	•	•	•	•	-	•
Defrosting	•	•	•	•	-	•
Upper element + fan	•	-	-	-	-	-
Turnspit	-	-	-	-	-	-
Gas	-	-	-	-	-	-
Grill Gas	-	-	-	-	-	-
Grill Gas + fan	-	-	-	-	-	-
Grill Gas + turnspit	-	-	-	-	-	-
Grill Gas + turnspit + fan	-	-	-	-	-	-
Gas + fan	-	-	-	-	-	-
Gas + turnspit	-	-	-	-	-	-
Gas + turnspit + fan	-	-	-	-	-	-
Low temp	•	•	-	-	-	-
PROGRAMMING						
Clock-Oven Control System	Full touch electronic programmer	Full electronic programmer	Touch electronic programmer	Electronic programmer	Electronic programmer	Timer 120' end of cooking
Preset Temperature	•	•	-	-	-	-
OVEN CAVITY						
Black enamel	-	-	-	-	-	-
Titanium enamel	•	•	•	•	•	•
OVEN CAVITY EQUIPMENT						
n° grids	1	1	1	1	1	1
n° driptray	2	2	2	2	1	2
Turnspit	-	-	-	-	-	-
n° level with telescopic rails	2 / partial extension	2 / partial extension	2 / partial extension	-	-	-
Other accessories	-	-	-	-	-	-
TECHNICAL FEATURES						
Embossed	-	-	-	-	-	-
Smooth sides with chromed racks	•	•	•	•	•	•
n° door glass	3	3	3	3	3	3
Glass Door Type	Full glass flat	Full glass flat	Full glass flat	Full glass flat	Full glass flat	Full glass flat
Removable door glass	•	•	•	•	•	•
Cold door	•	•	•	•	•	•
Tangential cooling fan	•	•	•	•	•	•
Security gas valve	-	-	-	-	-	-
n° lamps	1 x 25 W	1 x 25 W	1 x 25 W	1 x 25 W	1 x 25 W	1 x 25 W
Net volume	lt	64	64	64	64	64
Power	W	2.850	2.870	2.670	2.858	2.870
Voltage/Frequency	V/Hz	220-240 / 50-60	220-240 / 50-60	220-240 / 50-60	220-240 / 50-60	220-240 / 50-60
Efficiency energy class ⁽¹⁾		A	A	A	A	A
Energy consumption conventional ⁽¹⁾ kWh/MJ		0,88	0,88	0,88	0,88	0,88
Energy consumption fan forced ⁽¹⁾ kWh/MJ		0,80	0,80	0,80	0,80	0,80
DIMENSIONS						
Product HxWxD	mm	590x597x543	590x597x543	590x597x543	590x597x543	590x597x543
Built-in HxWxD	mm	583x554x564	583x554x564	583x554x564	583x554x564	583x554x564
Package HxWxD	mm	700x640x640	700x640x640	700x640x640	700x640x640	700x640x640

⁽¹⁾ from January 2015, according to regulation 65/2014

Colours legend: BK= Black IX= St. steel WH= White

		GF552	GFEA93	GFE92	GFE52	GFEV	GFEW
Collection		Stylish	Excellence	Excellence	Excellence	Excellence	Excellence
Type		Multifunction	Multifunction	Multifunction	Multifunction	Gas fan assisted	Gas / Gas Grill
Colour		IX	IX	IX	IX	IX	IX
Supply		Electric	Electric	Electric	Electric	21 (Natural gas G20)	21 (Natural gas G20)
FUNCTIONS							
Programs number		5	9	9	5	6	7
Light		-	-	-	-	•	•
Pizza		-	•	•	-	-	-
Pre-heating		-	•	•	-	-	-
Traditional cooking		•	•	•	•	-	-
Bottom element		•	-	-	•	-	-
Bottom element + fan		•	-	-	•	-	-
Upper element		-	-	-	-	-	-
Grill		-	•	•	-	-	-
Grill + upper element (double grill)		-	•	•	-	-	-
Double grill + fan		-	•	•	-	-	-
Double grill + turnspit		-	-	-	-	-	-
Double grill + fan + turnspit		-	-	-	-	-	-
Grill + fan		•	-	-	•	-	-
Grill + turnspit		-	-	-	-	•	•
Grill + fan + turnspit		-	-	-	-	•	-
Static + fan		•	•	•	•	-	-
Multifunction (circular + fan)		-	•	•	-	-	-
Defrosting		-	•	•	-	•	•
Upper element + fan		-	-	-	-	-	-
Turnspit		-	-	-	-	-	-
Gas		-	-	-	-	•	•
Grill Gas		-	-	-	-	-	•
Grill Gas + fan		-	-	-	-	-	-
Grill Gas + turnspit		-	-	-	-	-	-
Grill Gas + turnspit + fan		-	-	-	-	-	-
Gas + fan		-	-	-	-	-	•
Gas + turnspit		-	-	-	-	-	-
Gas + turnspit + fan		-	-	-	-	•	•
Low temp		-	-	-	-	-	-
PROGRAMMING							
Clock-Oven Control System		Timer 120' end of cooking	Electronic programmer	Timer 120' end of cooking	Timer 120' end of cooking	Minute minder 60'	Minute minder 60'
Preset Temperature		-	-	-	-	-	-
OVEN CAVITY							
Black enamel		-	-	-	-	-	-
Titanium enamel		•	•	•	•	•	•
OVEN CAVITY EQUIPMENT							
n° grids		1	2	1	1	1	1
n° drip tray		1	1	1	1	1	1
Turnspit		-	-	-	-	•	•
n° level with telescopic rails		-	-	-	-	-	-
Other accessories		-	-	-	-	-	-
TECHNICAL FEATURES							
Embossed		-	-	-	-	-	-
Smooth sides with chromed racks		•	•	•	•	•	•
n° door glass		3	3	3	3	3	3
Glass Door Type		Full glass flat	Full glass flat	Full glass flat	Full glass flat	Full glass flat	Full glass flat
Removable door glass		•	-	-	-	-	-
Cold door		•	-	-	-	-	-
Tangential cooling fan		•	•	•	•	•	•
Security gas valve		-	-	-	-	•	•
n° lamps		1 x 25 W	1 x 25 W	1 x 25 W	1 x 25 W	1 x 25 W	1 x 25 W
Net volume	lt	64	64	64	64	63	60
Power	W	2.670	2.868	2.868	2.868	1.350	54
Voltage/Frequency	V/Hz	220-240 / 50-60	220-240 / 50-60	220-240 / 50-60	220-240 / 50-60	220-240 / 50-60	220-240 / 50-60
Efficiency energy class ⁽¹⁾		A	A	A	A	A	A
Energy consumption conventional ⁽¹⁾ kWh/MJ		0,88	0,718	0,85	0,85	1,59 / 5,71	1,59 / 5,71
Energy consumption fan forced ⁽¹⁾ kWh/MJ		0,80	0,98	0,80	0,80	1,77 / 6,37	-
DIMENSIONS							
Product HxWxD	mm	590x597x543	590x597x543	590x597x543	590x597x543	590x597x543	590x597x543
Built-in HxWxD	mm	583x554x564	583/585x554/564x550	583/585x554/564x550	583/585x554/564x550	583/585x554/564x550	583/585x554/564x550
Package HxWxD	mm	700x640x640	690x650x650	690x650x650	690x650x650	690x650x650	690x650x650

⁽¹⁾ from January 2015, according to regulation 65/2014

Colours legend: BK= Black IX= St. steel WH= White

TECHNICAL FEATURES OVENS

	GFEG	GFM52	GFMF	GFMG	GF9W
Collection	Excellence	Metropol	Metropol	Metropol	Excellence
Type	Gas / Gas Grill	Multifunction	Static Gas/Electric Grill	Static Gas / Gas Grill	Gas / Gas Grill + fan
Colour	IX	IX - WH - BK	IX - WH - BK	WH - BK	IXN
Supply	21 (Natural gas G20)	Electric	21 (Natural gas G20)	21 (Natural gas G20)	21 (Natural gas G20)
FUNCTIONS					
Programs number	5	5	5	5	10
Light	•	-	•	•	•
Pizza	-	-	-	-	-
Pre-heating	-	-	-	-	-
Traditional cooking	-	•	-	-	-
Bottom element	-	•	-	-	-
Bottom element + fan	-	•	-	-	-
Upper element	-	-	-	-	-
Grill	-	-	•	-	-
Grill + upper element (double grill)	-	-	-	-	-
Double grill + fan	-	-	-	-	-
Double grill + turnspit	-	-	-	-	-
Double grill + fan + turnspit	-	-	-	-	-
Grill + fan	-	•	-	-	-
Grill + turnspit	-	-	•	-	-
Grill + fan + turnspit	-	-	-	-	-
Static + fan	-	•	-	-	-
Multifunction (circular + fan)	-	-	-	-	-
Defrosting	-	-	-	-	•
Upper element + fan	-	-	-	-	-
Turnspit	-	-	-	-	-
Gas	•	-	•	•	•
Grill Gas	•	-	-	•	•
Grill Gas + fan	-	-	-	-	•
Grill Gas + turnspit	•	-	-	•	•
Grill Gas + turnspit + fan	-	-	-	-	•
Gas + fan	-	-	-	-	•
Gas + turnspit	•	-	•	•	•
Gas + turnspit + fan	-	-	-	-	•
Low temp	-	-	-	-	-
PROGRAMMING					
Clock-Oven Control System	Minute minder 60'	Timer 120' end of cooking	Minute minder 60'	Minute minder 60'	Minute minder 60'
Preset Temperature	-	-	-	-	-
OVEN CAVITY					
Black enamel	-	-	-	-	•
Titanium enamel	•	•	•	•	-
OVEN CAVITY EQUIPMENT					
n° grids	1	1	1	1	2
n° driptray	1	1	1	1	1
Turnspit	•	-	•	•	•
n° level with telescopic rails	-	-	-	-	-
Other accessories	-	-	-	-	-
TECHNICAL FEATURES					
Embossed	-	•	•	•	-
Smooth sides with chromed racks	•	-	-	-	•
n° door glass	3	2	2	2	2
Glass Door Type	Full glass flat	Full glass flat	Full glass flat	Full glass flat	Full glass flat
Removable door glass	-	-	-	-	-
Cold door	-	-	-	-	-
Tangential cooling fan	•	•	•	•	•
Security gas valve	•	-	•	•	-
n° lamps	1 x 25 W	1 x 25 W	1 x 25 W	1 x 25 W	1 x 25 W
Net volume	lt	66	60	65	62
Power	W	50	2.668	1.350	54
Voltage/Frequency	V/Hz	220-240 / 50-60	220-240 / 50-60	220-240 / 50-60	220-240 / 50-60
Efficiency energy class ⁽¹⁾		A	A	A	A
Energy consumption conventional ⁽¹⁾	kWh/MJ	1,59 / 5,71	0,88	1,59 / 5,71	1,59 / 5,71
Energy consumption fan forced ⁽¹⁾	kWh/MJ	-	0,80	-	-
DIMENSIONS					
Product HxWxD	mm	590x597x543	590x597x543	590x597x543	590x597x543
Built-in HxWxD	mm	583/585x554/564x550	583/585x554/564x550	583/585x554/564x550	583/585x554/564x550
Package HxWxD	mm	690x650x650	690x650x650	690x650x650	690x650x650

⁽¹⁾ from January 2015, according to regulation 65/2014

Colours legend: BK= Black IX-IXN= St. steel WH= White

	GF9F	GF9G	GF993	GFP993
Collection	Excellence	Excellence	Excellence	Contemporaneo
Type	Static Gas/Electric Grill	Static Gas/Gas Grill	Multifunction	Multifunction
Colour	IXN - BKN	IXN - BKN	IXN	IX
Supply	21 (Natural gas G20)	21 (Natural gas G20)	Electric	Electric
FUNCTIONS				
Programs number	5	5	9	9
Light	•	•	•	•
Pizza	-	-	•	•
Pre-heating	-	-	-	-
Traditional cooking	-	-	•	•
Bottom element	-	-	•	•
Bottom element + fan	-	-	-	-
Upper element	-	-	-	-
Grill	•	-	•	•
Grill + upper element (double grill)	-	-	•	•
Double grill + fan	-	-	-	-
Double grill + turnspit	-	-	-	-
Double grill + fan + turnspit	-	-	-	-
Grill + fan	-	-	•	•
Grill + turnspit	•	-	-	-
Grill + fan + turnspit	-	-	-	-
Static + fan	-	-	•	•
Multifunction (circular + fan)	-	-	•	•
Defrosting	-	-	-	-
Upper element + fan	-	-	-	-
Turnspit	-	-	-	-
Gas	•	•	-	-
Grill Gas	-	•	-	-
Grill Gas + fan	-	-	-	-
Grill Gas + turnspit	-	•	-	-
Grill Gas + turnspit + fan	-	-	-	-
Gas + fan	-	-	-	-
Gas + turnspit	•	•	-	-
Gas + turnspit + fan	-	-	-	-
Low temp	-	-	-	-
PROGRAMMING				
Clock-Oven Control System	Minute minder 60'	Minute minder 60'	Electronic programmer	Touch electronic programmer
Pre set Temperature	-	-	-	-
OVEN CAVITY				
Black enamel	•	•	•	•
Titanium enamel	-	-	-	-
OVEN CAVITY EQUIPMENT				
n° grids	2	2	2	2
n° drip tray	1	1	1	1
Turnspit	•	•	•	•
n° level with telescopic rails	-	-	-	-
Other accessories	-	-	-	1 Pastry tray (15 mm)
TECHNICAL FEATURES				
Embossed	-	-	-	-
Smooth sides with chromed racks	•	•	•	•
n° door glass	2	2	3	3
Glass Door Type	Full glass flat	Full glass flat	Full glass flat	Full glass flat
Removable door glass	-	-	-	-
Cold door	-	-	•	•
Tangential cooling fan	•	•	•	•
Security gas valve	-	-	-	-
n° lamps	1 x 25 W	1 x 25 W	2 x 25 W	2 x 25 W
Net volume	lt	105	95	89
Power	W	-	-	2.700
Voltage/Frequency	V/Hz	220-240 / 50-60	220-240 / 50-60	220-240 / 50-60
Efficiency energy class ⁽¹⁾		A	A	A
Energy consumption conventional ⁽¹⁾ kWh/MJ		2,00	2,00	0,98
Energy consumption fan forced ⁽¹⁾ kWh/MJ		1,00	1,00	1,05
DIMENSIONS				
Product HxWxD	mm	895x594x551	895x594x551	893x477x538
Built-in HxWxD	mm	860x595x560	860x595x560	860x480x860
Package HxWxD	mm	950x660x660	950x660x660	980x690x560

⁽¹⁾ from January 2015, according to regulation 65/2014

Colours legend: BKN= Black IX-IXN= St. steel WHN= White

TECHNICAL FEATURES OVENS

		GFC516
Collection		Contemporaneo
Dimension	mm	600x450
Type		Compact 45 cm steam oven
Colour		BK
MAIN FEATURES		
Functions		4 + 1 (Steam, Regeneration, Cleaning, Descaling) + Sterilisation
Oven Capacity	lt	35
FEATURES		
Digital clock		•
Timer		Electronic 0 to 90'
Defrost functions by time		•
Defrost functions by weight		•
Controls		Digital touch control
Auto menus		3
Power levels		4
Temperature levels	°C	-
Microwave power	kW	-
Grill power	kW	-
Convection power	kW	-
Turbo power		-
Maximum power	kW	1,000
Combi Microwave / Grill		-
Inner light		•
Power cord with plug		•
End cooking signal		•
Preset function		•
CAVITY AND SAFETY		
Interior cavity		St. steel
n° glass		2
Safety child lock		•
Tangential cooling fan		•
ACCESSORIES		
Smooth sides with chromed racks		• (4 levels)
Enamelled tray		-
Rotary plate		-
Inox tray		1 Perforated/ 1 non perforated (40 and 20 mm)
Glass tray		-
Water tank	lt	1,4
Telescopic grids		-
Grids		-
TECHNICAL FEATURES		
Voltage/Frequency	V/Hz	220-240 / 50
Plug Type		Schucko
Efficiency energy class ⁽¹⁾		-
Energy consumption conventional ⁽¹⁾	kWh/MJ	-
Energy consumption fan forced ⁽¹⁾	kWh/MJ	-
Net Oven Capacity	lt	35
WEIGHTS & DIMENSION		
Product WxDxH	mm	595x472x455
Built-in WxHxD	mm	560-568x450x542
Cavity WxDxH	mm	420x390x210

		GFCWD
Collection		Contemporaneo
Type		Accessories
Colour		IX
MAIN FEATURES		
N° of dish servings/settings		6
N° of dinner plates Ø28 cm		20
Useful height	cm	10
Input power	W	430
Adjustable thermostat	°C	30-70
Thermostat control		Electromechanic
Thermal protection at 110 °C		•
Illuminated ON /OFF switch		•
Anti-sliding mat		•
Opening system		push / pull
WEIGHTS & DIMENSIONS		
Product HxWxD	mm	139x595x542
Built-in HxWxD	mm	140x 595x542
Packed HxWxD	mm	250x645x670
Weights Gross / net	kg	20,3 / 18,0
TECHNICAL FEATURES		
Voltage/Frequency	V/Hz	220-240 / 50-60
Cable length		1,5 m

Colours legend: BK= Black IX= St. steel WH= White

⁽¹⁾ from January 2015, according to regulation 65/2014

TECHNICAL FEATURES MICROWAVE OVENS

GMI253		
Type		Built-in microwave
Colour		IX
MAIN FEATURES		
Oven Capacity	lt	25
Functions		3
Door Opening		Push button
BASIC FEATURES		
Digital clock		•
Timer	m	0 to 95' with sound signal
Rotary plate		31,5 cm
Defrost functions by time		•
Defrost functions by weight		•
Controls		digital
Auto menus		8
Power levels		5
Microwave power	W	900
Safety child lock		•
Rack to cook "au gratin"		•
Inner light		•
Adjustable feet		•
Power cord with plug		•
End cooking signal		•
Preset function		-
Interior Cavity		St. steel
TECHNICAL FEATURES		
Voltage/Frequency	V/Hz	230 / 50
WEIGHTS & DIMENSIONS		
Product with frame WxDxH	mm	594x388x390
Built-in WxDxH	mm	see technical draw
Cavity WxDxH	mm	328x368x226

Colours legend: IX= St. steel

TECHNICAL FEATURES INDUCTION HOBS

		GTIP14BK	GTIP84BK	GTI642	GTI632
Width	cm	100	80	60	60
Type		Induction	Induction	Induction	Induction
Colours		Black glass	Black glass	Black glass	Black glass
SPECIFICATION					
Type of control		4 Sliders touch control	1 Slider touch control	Touch control	Touch control
Controls position		Front	Front	Front	Front
Levels of power	n°	9	9	9	9
Front left heating element	mm/W	Ø 210 - 2.900/3.700	Ø 280 - 2.600/3.700	Ø 190 - 1.400/2.000	Ø 190 - 1.400/2.000
Rear left heating element	mm/W	Ø 210 - 2.900/3.700	Ø 180 - 2.300/3.000	Ø 160 - 1.200/1.400	Ø 160 - 1.200/1.400
Central heating element	mm/W	-	-	-	-
Rear right heating element	mm/W	Ø 210 - 2.900/3.700	Ø 180 - 2.300/3.000	Ø 200 - 2.300/3.000	Ø 250 - 2.300/3.000
Front right heating element	mm/W	Ø 210 - 2.900/3.700	Ø 210 - 2.900/3.700	Ø 160 - 1.200/1.400	-
FEATURES					
Total power	W	7.400	7.400	7.100	6.400
On/Off		•	•	•	•
Stop&Go		•	•	-	-
Booster		4 double	4 double	•	•
Heat up		•	•	-	-
Timer		•	•	•	•
Minute Minder		•	•	•	•
Automatic temperatures	°C	42 - 70 - 94	42 - 70	-	-
Pot diameter detector/ Pan detection		•	•	•	•
Residual Heat		•	•	•	•
Child safety lock (Locking touch)		•	•	•	•
Overflow safety device		•	•	•	•
Automatic Stop		•	•	•	•
Power management		•	•	•	•
Power cord		•	•	•	•
Cable length	mm	1500	1500	1120	1120
Scraper		-	-	•	•
Voltage/Frequency	V/Hz	220-240 / 50-60	220-240 / 50-60	220-230 / 50-60	220-230 / 50-60
DIMENSIONS					
Product WxDxH	mm	1000x410x49	780x520x49	580x510	580x510
Built-in WxDxH	mm	985x395	750x490	560x490	560x490

		GTIP42BK	GTIPW41BK	GTPN42BK	GTI322
Width	cm	38	38	38	30
Type		Induction	Induction wok	Teppanyaki	Induction
Colours		Black glass	Black glass	St. steel grill plate	Black glass
SPECIFICATION					
Type of control		2 Sliders touch control	1 Slider touch control	Touch control	Touch control
Controls position		Front	Front	Front	Front
Levels of power	n°	9	9	9	9
Front left heating element	mm/W	Ø 220x180 - 2.100/2.600/3.700	Ø 310 - 2.300/3.000	Ø 1.400	Ø 160 - 1.400
Rear left heating element	mm/W	Ø 220x180 - 2.100/2.600/3.700	-	Ø 1.400	Ø 200 - 1.400/2.000 Ø
Central heating element	mm/W	-	-	-	-
Rear right heating element	mm/W	-	-	-	-
Front right heating element	mm/W	-	-	-	-
FEATURES					
Total power	W	3.700	3.000	2.800	3.400
On/Off		•	•	-	•
Stop&Go		•	•	-	-
Booster		•	•	-	•
Heat up		•	•	-	-
Timer		•	•	•	•
Minute Minder		•	•	•	•
Automatic temperatures	°C	42 - 70 - 94	42 - 70 - 94	-	-
Pot diameter detector/ Pan detection		•	•	-	•
Residual Heat		•	•	•	•
Child safety lock (Locking touch)		•	•	•	•
Overflow safety device		•	•	•	•
Automatic Stop		•	•	•	•
Power management		•	•	•	-
Power cord		•	•	•	•
Cable length	mm	1.500	1.500	1.500	1.500
Scraper		-	-	-	-
Voltage/Frequency	V/Hz	220-240 / 50-60	220-240 / 50-60	220-240 / 50-60	220-240 / 50-60
DIMENSIONS					
Product WxDxH	mm	520x380x48	520x380x121	520x380x64	290x510
Built-in WxDxH	mm	490x360	490x370	490x360	264x482

TECHNICAL FEATURES CERAMIC HOBS

		GTH96T	GTH75TC	GTH64TF	GTH64TC
Size	cm	90	75	60	60
Type		Ceramic glass	Ceramic glass	Ceramic glass	Ceramic glass
Glass colour		Black	Black	Black	Black
FEATURES					
Controls		Touch	Touch	Touch	Touch
Total power	W	8.500	7.600	6.400	6.000
SPECIFICATION					
Extensible hotplates		2	2	-	-
Nr of power levels		9	9	9	9
Controls position		Front	Front	Front	Front
Front left heating element	mm/W	Ø 120/180 - 700/1.700	Ø 140/210 - 1.000/2.200	Ø 145 - 1.200	Ø 180 - 1.800
Rear left heating element	mm/W	Ø 145 - 1.200	Ø 180 - 1.800	Ø 120/210 - 700/2.200	Ø 145 - 1.200
Central heating element	mm/W	Ø 170/265 - 1.400/2.200	-	-	-
Front right heating element	mm/W	Ø 145 - 1.200	Ø 145 - 1.200	Ø 145 - 1.200	Ø 180 - 1.800
Rear right heating element	mm/W	Ø 140/210 - 1.000/2.200	Ø 170/265 - 1.400/2.200	Ø 180 - 1.800	Ø 145 - 1.200
High-light		5	4	4	4
FEATURES					
Timer		•	•	•	-
Heat up		-	-	-	-
Electric cable		•	•	•	•
Voltage/Frequency	V/Hz	220-230-240 / 50-60	220-240 / 50-60	220-230-240 / 50-60	220-230-240 / 50-60
Scraper		•	•	•	•
SAFETY					
Residual heat indicator		•	•	•	•
Child safety lock		•	•	•	•
Overflow safety device		•	•	•	•
Automatic stop		•	•	•	•
DIMENSIONS					
Product WxDxH	mm	880x510x40	770x510x40	580x510x40	580x510x40
Built-in WxDxH	mm	860x490x40	750x490x40	560x490x40	560x490x40

		GTH63TBK	GTHP42BK	GTH32K
Size	cm	60	38	30
Type		Ceramic glass	Ceramic glass	Ceramic glass
Glass colour		Black	Black (no frame)	Black (no frame)
FEATURES				
Frame		-	-	-
Controls		Touch	Touch	Knobs
Total power	W	5.500	3.000	3.000
SPECIFICATION				
Extensible hotplates		1	-	-
Nr of power levels		9	9	6
Controls position		Front	Front	Front
Front left heating element	mm/W	Ø 180 - 1.800	Ø 155 - 1.200	Ø 145 - 1.200
Rear left heating element	mm/W	Ø 145 - 1.200	Ø 190 - 1.800	Ø 180 - 1.800
Central heating element	mm/W	-	-	-
Front right heating element	mm/W	-	-	-
Rear right heating element	mm/W	Ø 140/230 - 1.200/2.500	-	-
High-light		3	2	2
FEATURES				
Memory		-	•	-
Timer		-	•	-
Heat up		-	•	-
Electric cable		•	•	•
Voltage/Frequency	V/Hz	220-230-240 / 50-60	220-240 / 50-60	220-240 / 50-60
Scraper		•	-	•
SAFETY				
Residual heat indicator		•	•	•
Child safety lock		-	•	-
Overflow safety device		-	•	-
Automatic stop		-	•	-
DIMENSIONS				
Product WxDxH	mm	580x510x40	520x380x45	290x510x40
Built-in WxDxH	mm	560x490x40	490x350x41	270x490x40

TECHNICAL FEATURES CRYSTAL GAS HOBS

		GV955	GV755	GV64	GVP635H	GVP415H	GVP42H
Width	cm	90	70	60	60	38	38
Type		Crystal gas	Crystal gas	Crystal gas	Crystal gas	Crystal gas	Crystal gas
Colours		BK	BK	BK	BK	BK	BK
FEATURES							
Controls		Knobs	Knobs	Knobs	Knobs	Knobs	Knobs
Nr gas zones		5	5	4	3	1	2
Front left burner	W	1.000	1.000	3.000	1.000	-	-
Rear left burner	W	3.000	3.000	1.650	1.650	-	-
Front burner	W	3.500	3.500	-	-	5.000	1.000
Rear burner	W	-	-	-	-	-	3.000
Front right burner	W	1.650	1.650	1.000	3.500	-	-
Rear right burner	W	1.650	1.650	1.650	-	-	-
Flame failure device (FFD)		•	•	•	•	•	•
One hand ignition		•	•	•	•	•	•
Cast iron pan supports		-	-	-	•	•	•
DIMENSIONS							
Product HxWxD	mm	51x900x510	51x700x510	51x600x510	51x600x510	55x380x520	55x380x520
Built-in HxWxD	mm	50x750x480	50x550x480	50x550x480	50x550x480	350x495	350x495
Packaging HxWxD	mm	150x1000x580	150x800x580	150x700x580	150x700x580	145x440x555	145x440x555

Colours legend: BK= Black

TECHNICAL FEATURES GAS HOBS

		GT951H	GT955H	GT955	GT955N	GT96N	GT968N
Width	cm	90	90	90	90	90	90
Type		Gas	Gas	Gas	Gas	Gas	Gas
Colours		IX	IX - WH - BK	IX - WH - BK	IX - WH - BK	IX - WH - BK	IX - WH - BK
FEATURES							
Controls		Front	Front	Front	Front	Front	Front
Nr electric zones		-	-	-	-	-	2
Nr gas zones		5	5	5	5	6	4
Front left burner	W	4.500 - 800	1.000	1.000	1.000	1.000	1.000
Rear left burner	W	-	3.000	3.000	3.000	3.000	3.000
Front burner	W	1.000	3.800	3.800	3.800	1.750	Ø 180 - 2.000
Rear burner	W	1.750	-	-	-	3.000	Ø 145 - 1.500
Front right burner	W	1.750	1.750	1.750	1.750	1.750	1.750
Rear right burner	W	3.000	1.750	1.750	1.750	1.750	1.750
Flame failure device (FFD)		•	•	•	-	-	-
One hand ignition		•	•	•	•	•	•
PAN SUPPORTS							
Matt enamelled pan supports		-	-	•	•	•	•
Cast iron pan supports		•	•	-	-	-	-
DIMENSIONS							
Product HxWxD	mm	30x860x500	30x860x500	30x860x500	30x860x500	30x860x500	30x860x500
Built-in HxWxD	mm	30x830x480	30x830x480	30x830x480	30x830x480	30x830x480	30x830x480
Packaging HxWxD	mm	138x911x564	138x911x564	138x911x564	138x911x564	138x911x564	138x911x564

		GTL955	GTL955N	GTL968	GTL968N	GTS51H	GT851H
Width	cm	90	90	90	90	75	75
Type		Gas	Gas	Gas	Gas	Gas	Gas
Colours		IX - WH - BK	IX - WH - BK	IX - WH - BK	IX - WH - BK	IX	IX
FEATURES							
Controls		Side	Side	Side	Side	Front	Front
Nr electric zones		-	-	2	2	-	-
Nr gas zones		5	5	4	4	5	5
Front left burner	W	3.000	3.000	1.750	1.750	3.000	4.500 - 800
Rear left burner	W	1.750	1.750	3.000	3.000	1.750	-
Front burner	W	3.300	3.300	Ø 180 - 2.000	Ø 180 - 2.000	1.000	1.000
Rear burner	W	-	-	Ø 145 - 1.500	Ø 145 - 1.500	1.750	1.750
Front right burner	W	1.000	1.000	1.000	1.000	4.500 - 800	1.750
Rear right burner	W	1.750	1.750	1.750	1.750	-	3.000
Flame failure device (FFD)		•	-	•	-	•	•
One hand ignition		•	•	•	•	•	•
PAN SUPPORTS							
Matt enamelled pan supports		•	•	•	•	-	-
Cast iron pan supports		-	-	-	-	•	•
DIMENSIONS							
Product HxWxD	mm	30x860x500	30x860x500	30x860x500	30x860x500	70x740x500	30x740x500
Built-in HxWxD	mm	30x830x480	30x830x480	30x830x480	30x830x480	70x720x480	30x560x480
Packaging HxWxD	mm	138x911x564	138x911x564	138x911x564	138x911x564	138x791x564	138x791x564

Colours legend: BK= Black IX= St. steel WH= White

		GT842H	GT871H	GT755H	GT755	GT755N	GT731
Width	cm	75	75	70	70	70	70
Type		Gas	Gas	Gas	Gas	Gas	Gas
Colours		IX	IX	IX - WH - BK	IX - WH - BK	IX - WH - BK	IX
FEATURES							
Controls		Front	Front	Front	Front	Front	Front
Nr electric zones		-	-	-	-	-	-
Nr gas zones		4	5	5	5	5	3
Front left burner	W	4.500 - 800	1.000	1.000	1.000	1.000	4.500 - 800
Rear left burner	W	-	3.000	3.000	3.000	3.000	-
Front burner	W	1.000	4.500 - 800	3.300	3.300	3.300	-
Rear burner	W	1.750	-	-	-	-	-
Front right burner	W	3.300	1.750	1.750	1.750	1.750	1.750
Rear right burner	W	-	1.750	1.750	1.750	1.750	1.750
Flame failure device (FFD)		•	•	•	•	-	•
One hand ignition		•	•	•	•	•	•
PAN SUPPORTS							
Matt enamelled pan supports		-	-	-	•	•	•
Cast iron pan supports		•	•	•	-	-	-
DIMENSIONS							
Product HxWxD	mm	30x740x500	30x740x500	30x685x500	30x685x500	30x685x500	30x685x500
Built-in HxWxD	mm	30x560x480	30x560x480	30x560x480	30x560x480	30x560x480	30x560x480
Packaging HxWxD	mm	138x791x564	138x791x564	138x736x564	138x736x564	138x736x564	138x736x564

		GT731N	GT685H	GT64H	GT64	GT64N	GT685
Collection		Contemporaneo	Contemporaneo	Contemporaneo	Contemporaneo	Contemporaneo	Contemporaneo
Width	cm	70	60	60	60	60	60
Type		Gas	Gas	Gas	Gas	Gas	Gas
Colours		IX	IX - WH - BK	IX - WH - BK	IX - WH - BK	IX - WH - BK	IX - WH - BK
FEATURES							
Controls		Front	Front	Front	Front	Front	Front
Nr electric zones		-	-	-	-	-	-
Nr gas zones		3	4	4	4	4	4
Front left burner	W	4.500 - 800	3.800	1.000	1.000	1.000	3.800
Rear left burner	W	-	1.000	3.000	3.000	3.000	1.000
Front burner	W	-	-	-	-	-	-
Rear burner	W	-	-	-	-	-	-
Front right burner	W	1.750	1.750	1.750	1.750	1.750	1.750
Rear right burner	W	1.750	1.750	1.750	1.750	1.750	1.750
Flame failure device (FFD)		-	•	•	•	-	•
One hand ignition		•	•	•	•	•	•
PAN SUPPORTS							
Matt enamelled pan supports		•	-	-	•	•	•
Cast iron pan supports		-	•	•	-	-	-
DIMENSIONS							
Product HxWxD	mm	30x685x500	30x585x500	30x585x500	30x585x500	30x585x500	30x585x500
Built-in HxWxD	mm	30x560x480	30x560x480	30x560x480	30x560x480	30x560x480	30x560x480
Packaging HxWxD	mm	138x736x564	138x636x564	138x636x564	138x636x564	138x636x564	138x636x564

		GT685N	GT645	GT647	GT647N	GTL64	GTL64N
Width	cm	60	60	60	60	60	60
Type		Gas	Gas	Gas	Gas	Gas	Gas
Colours		IX - WH - BK	IX	IX - WH - BK	IX - WH - BK	IX - WH - BK	IX - WH - BK
FEATURES							
Controls		Front	Front	Front	Front	Side	Side
Nr electric zones		-	-	1	1	-	-
Nr gas zones		4	4	3	3	4	4
Front left burner	W	3.800	3.000	1.000	1.000	3.000	3.000
Rear left burner	W	1.000	-	3.000	3.000	1.750	1.750
Front burner	W	-	1.000	-	-	-	-
Rear burner	W	-	1.750	-	-	-	-
Front right burner	W	1.750	3.300	1.750	1.750	1.000	1.000
Rear right burner	W	1.750	-	Ø 145 - 1.500	Ø 145 - 1.500	1.750	1.750
Flame failure device (FFD)		-	•	•	-	•	-
One hand ignition		•	•	•	•	•	•
PAN SUPPORTS							
Matt enamelled pan supports		•	•	•	•	•	•
Cast iron pan supports		-	-	-	-	-	-
DIMENSIONS							
Product HxWxD	mm	30x585x500	30x585x500	30x585x500	30x585x500	30x585x500	30x585x500
Built-in HxWxD	mm	30x560x480	30x560x480	30x560x480	30x560x480	30x560x480	30x560x480
Packaging HxWxD	mm	138x636x564	138x636x564	138x636x564	138x636x564	138x636x564	138x636x564

Colours legend: BK= Black IX= St. steel WH= White

TECHNICAL FEATURES GAS/ELECTRIC HOBS AND DOMINO

		GTL647	GTL647N	GTL640	GT415H	GT42H
Width	cm	60	60	60	37	37
Type		Gas	Gas	Electric	Gas	Gas
Colours		IX - WH	IX - WH	IX - WH	IX	IX
FEATURES						
Controls		Side	Side	Side	Front	Front
Nr electric zones		1	1	4	-	-
Nr gas zones		3	3	-	1	2
Front left burner	W	3.000	3.000	Ø 180 - 2.000	-	-
Rear left burner	W	Ø 145 - 1.500	Ø 145 - 1.500	Ø 145 - 1.500	-	-
Front burner	W	-	-	-	3.800	1.000
Rear burner	W	-	-	-	-	3.000
Front right burner	W	1.000	1.000	Ø 145 - 1.000	-	-
Rear right burner	W	1.750	1.750	Ø 180 - 1.500	-	-
Flame failure device (FFD)		•	-	-	•	•
One hand ignition		•	•	-	•	•
PAN SUPPORTS						
Matt enamelled pan supports		•	•	-	-	-
Cast iron pan supports		-	-	-	•	•
DIMENSIONS						
Product HxWxD	mm	30x585x500	30x585x500	30x585x500	33x370x500	33x370x500
Built-in HxWxD	mm	30x560x480	30x560x480	30x560x480	33x350x490	33x350x490
Packaging HxWxD	mm	138x636x564	138x636x564	138x636x564	143x430x564	143x430x564

		GT32	GT32N	GT320	GT3B	GT3F	GTH32K
Width	cm	30	30	30	30	30	30
Type		Gas	Gas	Electric	Electric	Electric	Electric
Colours		IX	IX	IX	IX	IX	IX
FEATURES							
Controls		Front	Front	Front	Front	Front	Front
Nr electric zones		-	-	2	1	1	-
Nr gas zones		2	2	-	-	-	-
Nr highlight zones		-	-	-	-	-	2
Front left burner	W	-	-	-	-	-	-
Rear left burner	W	-	-	-	-	-	-
Front burner	W	1.000	1.000	Ø 145 - 1.500	2.400	2.300	Ø 140 - 1.200
Rear burner	W	3.000	3.000	Ø 180 - 2.000	-	-	Ø 180 - 1.800
Front right burner	W	-	-	-	-	-	-
Rear right burner	W	-	-	-	-	-	-
Flame failure device (FFD)		•	-	-	-	-	-
One hand ignition		•	•	-	-	-	-
PAN SUPPORTS							
Matt enamelled pan supports		•	•	-	•	-	-
Cast iron pan supports		-	-	-	-	-	-
DIMENSIONS							
Product HxWxD	mm	30x290x510	30x290x510	30x290x510	50x290x510	155x290x510	40x290x510
Built-in HxWxD	mm	30x265x480	30x265x480	30x265x480	50x265x480	155x265x480	40x265x480
Packaging HxWxD	mm	138x342x564	138x342x564	138x342x564	138x342x564	138x342x564	138x342x564

Colours legend: BK= Black IX= St. steel WH= White

		GHIB98	GHS98	GHS68
Dimensions	cm	90	90	60
Type		Island	Wall Glass	Wall Glass
Colour		IX	IX	IX
FEATURES				
Suction power	m³/h	600 (700)	735	735
Noise level - max speed Power	dBa	50	69	69
Noise level - speed level 1	dBa	-	59	59
N° of blower		1	1	1
Speeds		3+1	2+1	2+1
Booster		•	•	•
Delay start		-	-	-
Clean Air		-	-	-
Saturation filter alarm		•	-	-
Lamps		4x20W halogen	2x20W halogen	2x20W halogen
Perimetral aspiration		-	-	-
Grease filters (Aluminium)		•	2	2
Grease filters (Acrylic)		-	-	-
Grease filters (Metalic)		-	-	-
Carbon filters		•	1	1
Controls		Electronic lighted button	Electronic lighted button	Electronic lighted button
Air outlet size	mm	Ø 150 / 120	Ø 150 / 120	Ø 150 / 120
Plug		-	-	-
Cable length	cm	120	150	150
No return valve		•	•	•
Motor power	W	250	250	250
Voltage/Frequency	V/Hz	220-240 / 50	230-240 / 50	230-240 / 50
Efficiency energy class ⁽¹⁾		D	C	C
DIMENSIONS				
Product HxWxD	mm	see drawing	see drawing	see drawing
Packing HxWxD	mm	-	1020x510x655	-

		GHB98	GHP980	GHP680
Dimensions	cm	90	90	60
Type		Wall Box	Wall Chimney	Wall Chimney
Colour		IX	IX	IX
FEATURES				
Suction power	m³/h	735	725	725
Noise level - max speed Power	dBa	69	66	66
Noise level - speed level 1	dBa	59	54	54
N° of blower		1	1	1
Speeds		2+1	3+1	3+1
Booster		•	•	•
Delay start		-	•	•
Clean Air		-	-	-
Saturation filter alarm		-	•	•
Lamps		2x20W halogen	2x20W halogen	2x20W halogen
Perimetral aspiration		-	-	-
Grease filters (Aluminium)		3	3	1
Grease filters (Acrylic)		-	-	-
Grease filters (Metalic)		-	-	-
Carbon filters		1	2	2
Controls		Electronic lighted button	Electronic lighted button	Electronic lighted button
Air outlet size	mm	Ø 150 / 120	Ø 150 / 120	Ø 150 / 120
Plug		-	-	-
Cable length	cm	150	150	150
No return valve		•	•	•
Motor power	W	250	250	250
Voltage/Frequency	V/Hz	230-240 / 50	230-240 / 50	230-240 / 50
Efficiency energy class ⁽¹⁾		C	C	C
DIMENSIONS				
Product HxWxD	mm	see drawing	900x450x240	600x450x240
Packing HxWxD	mm	985x470x625	970x550x305	670x550x305

⁽¹⁾ from January 2015, according to regulation 65/2014

Colours legend: BK= Black IX= St. steel WH= White

TECHNICAL FEATURES HOODS

		GHP940	GHP640	GHC95	GHC65
Dimensions	cm	90	60	90	60
Type		Wall Chimney	Wall Chimney	Standard	Standard
Colour		IX	IX	IX	IX
FEATURES					
Suction power	m ³ /h	420	420	360	360
Noise level - max speed Power	dBa	66	66	65	65
Noise level - speed level 1	dBa	53	53	55	55
N° of blower		1	1	2	2
Speeds		3	3	3	3
Booster		-	-	-	-
Delay start		-	-	-	-
Clean Air		-	-	-	-
Saturation filter alarm		-	-	-	-
Lamps		2x28W candle halogen	2x28W candle halogen	2x28W	2x28W
Perimetral aspiration		-	-	-	-
Grease filters (Aluminium)		3	1	1	-
Grease filters (Acrylic)		-	-	-	-
Grease filters (Metalic)		-	-	-	1
Carbon filters		2	2	1	1
Controls		Push button	Push button	Push button	Push button
Air outlet size	mm	Ø 150 / 120	Ø 150 / 120	Ø 123	Ø 123
Plug		-	-	-	-
Cable length	cm	150	150	175	175
No return valve		•	•	•	•
Motor power	W	135	135	300	300
Voltage/Frequency	V/Hz	230-240 / 50	230-240 / 50	220-240 / 50	220-240 / 50
Efficiency energy class ⁽¹⁾		E	E	F	F
DIMENSIONS					
Product HxWxD	mm	900x450x240	600x450x240	900x495x140	600x495x140
Packing HxWxD	mm	970x550x305	670x550x305	965x195x560	665x195x560

		GHE90	GHE60
Dimensions	cm	90	60
Type		Undercabinet	Undercabinet
Colour		SI	SI
FEATURES			
Suction power	m ³ /h	171	171
Noise level - max speed Power	dBa	61	61
Noise level - speed level 1	dBa	-	-
N° of blower		1	1
Speeds		3	3
Booster		-	-
Delay start		-	-
Clean Air		-	-
Saturation filter alarm		-	-
Lamps		1x28W	1x28W
Perimetral aspiration		-	-
Grease filters (Aluminium)		-	-
Grease filters (Acrylic)		1	1
Grease filters (Metalic)		-	-
Carbon filters		1	1
Controls		Slider	Slider
Air outlet size	mm	Ø 120	Ø 120
Plug		-	-
Cable length	cm	100	100
No return valve		-	-
Motor power	W	110	110
Voltage/Frequency	V/Hz	220-240 / 50	220-240 / 50
Efficiency energy class ⁽¹⁾		E	E
DIMENSIONS			
Product HxWxD	mm	see drawing	see drawing
Packing HxWxD	mm	990x243x391	625x180x326

⁽¹⁾ from January 2015, according to regulation 65/2014

Colours legend: BK= Black IX= St. steel WH= White SI= Metallic Silver

MARKETING
Glem Gas

AD & GRAPHIC DESIGN
Ikos

Glem Gas S.p.A. reserves the right unilaterally at any time to change its own products without altering the catalogue contents accordingly.



Glem Gas S.p.A.
via Modenese, 4266
41018 San Cesario S.P.
Modena - Italy
tel. +39 059 959111
fax +39 059 959150
info@glemgas.com
www.glemgas.com