



Goffi
INDUSTRIE EDILIZIA SRL®

Goffi, yesterday, today, tomorrow

CATALOGUE 2011

Before knowing us, you already have a guarantee: the name

A forty year-old-success built upon trust.

If you know building industry, you know Goffi Industrie Edilizia Company: since forty Years it is a benchmark in this market.

From a simple carpentry specialized in wheelbarrows production, in the 1968 was borne F.lli Goffi that in 1997 become Goffi Industrie Edilizia.

A Company based on innovation that, due to the historical legacy from F.lli Goffi Company, rely on achieve a relevant position on building market.

A purpose that is confirmed by the increasing investments in human resources and technologies with a consequently turnover growth.



We proceeded with a success after the others.

Inside the 22.000 square meter Factory innovation is always the main features (here, first in Italy, the welding automatic system) producing wheelbarrows, scaffolding, adjustable props, trestles and many others products for building market. Quality Products always forward projected unique as our Customers.



Goffi range: simply Immense

Our job every day?

Improving yours.

In Italy and Europe we are known for our famous wheelbarrow Aurea.

The real legacy of F.lli Goffi, the Aurea wheelbarrow with its updates versions is the demonstration of a superior quality and performance as all the Products of Goffi Industrie Edilizia.

A sign of a forty years tradition continues to guarantee the quality of our planned choices.

Everything from research, automatic production, safety on working place is oriented to improve performances and quality level of our Products and consequently of your construction site.



Safety work is a recognized value.

Before any Products gets to the market, it is rigorously tried and tested: the quality of Goffi Industrie Edilizia pass through testing every components according to EU certification.

Scaffolding are having ministerial approval **with GIE mark.**



Index

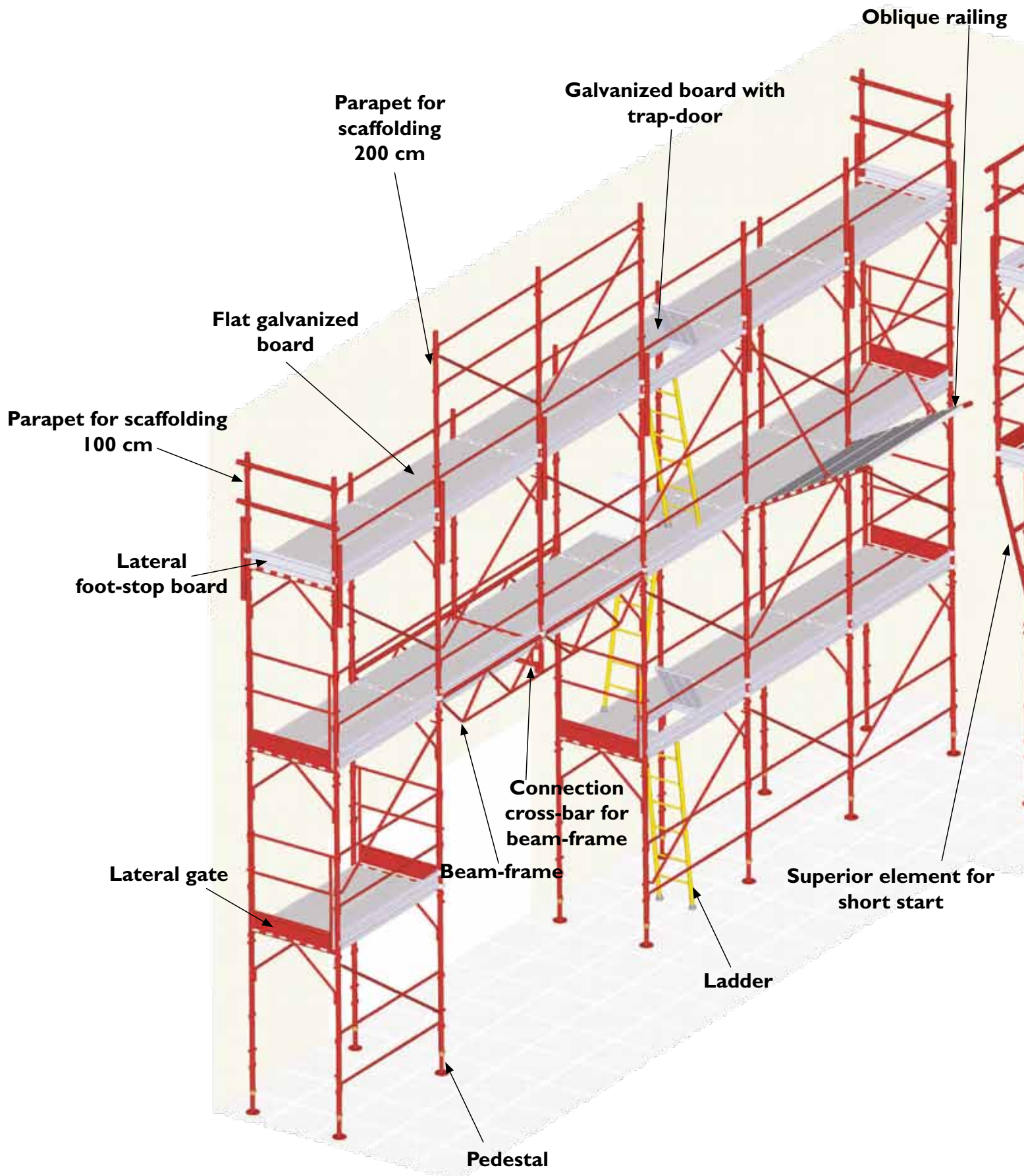
Scaffolding pag 6

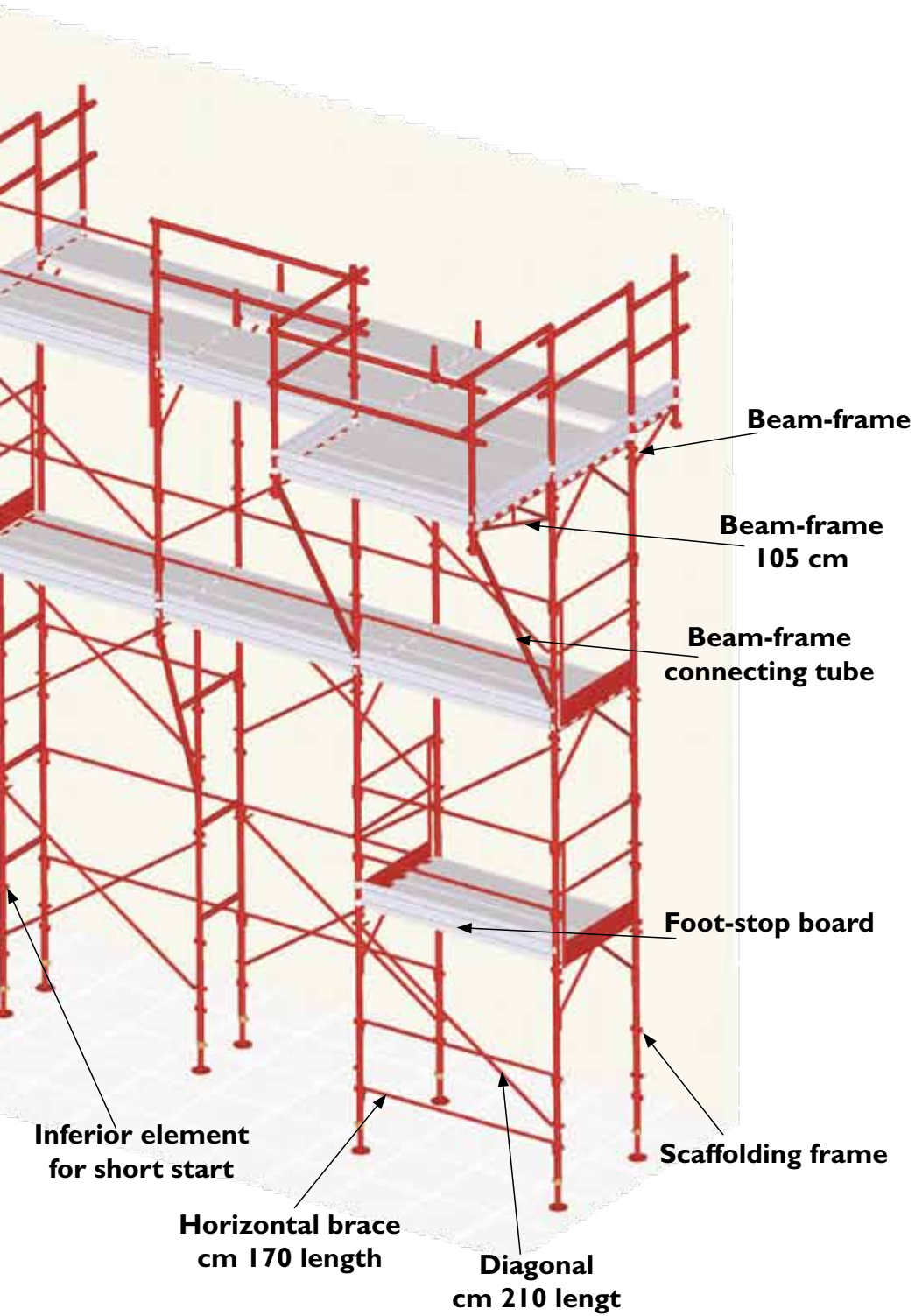
Props pag 16

Wheelbarrows pag 18

Accessories pag 20

Chutes pag 22





Bushing scaffolding 105 cm interaxial painted frame

ART. I2002

105 cm interaxial
110 cm length
Ø 48 mm tube
210 cm height



Bushing scaffolding 105 cm interaxial galvanized frame

ART. I2202

105 cm interaxial
110 cm length
Ø 48 mm tube
210 cm height



Bushing scaffolding 105 cm interaxial painted half frame

ART. I4200

105 cm interaxial
110 cm length
Ø 48 mm tube
210 cm height



Bushing scaffolding 105 cm interaxial galvanized half frame

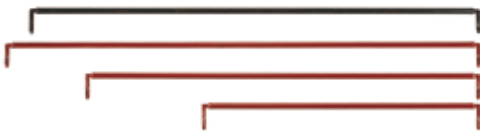
ART. I4300

105 cm interaxial
110 cm length
Ø 48 mm tube
210 cm height



Diagonals - braces

- ART. I3001** Bushing scaffolding painted diagonal
210 cm length, Ø 27 mm tube
- ART. I3002** Bushing scaffolding painted plan cross diagonal
202 cm length, Ø 27 mm tube
- ART. I3003** Bushing scaffolding painted horizontal brace
170 cm length, Ø 27 mm tube
- ART. I3004** Bushing scaffolding 105 painted small lateral brace
105 cm length, Ø 27 mm tube
- ART. I3005** Bushing scaffolding 120 painted small lateral brace
120 cm length, Ø 27 mm tube



Diagonals - braces - galvanized

- ART. I3201** Bushing scaffolding galvanized diagonal
210 cm length, Ø 27 mm tube
- ART. I3203** Bushing scaffolding galvanized horizontal brace
170 cm length, Ø 27 mm tube
- ART. I3204** Bushing scaffolding 105 galvanized small lateral brace
05 cm length, Ø 27 mm tube



Standard painted container

- ART. I5200** Bushing scaffolding 105
(123x230x10 cm)
- ART. I5210** Bushing scaffolding 120
(123x230x10 cm)
- ART. I5211** Bushing scaffolding 105
(123x230x10 cm)
- ART. I5212** Bushing scaffolding 105
38 pieces
(123x200x10 cm)



Standard galvanized container

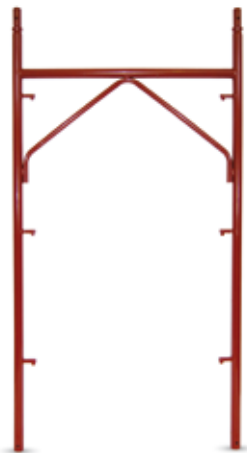
- ART. I5215** Galvanized scaffolding 105
(123x230x10 cm)





Pin scaffolding 105 cm interaxial painted frame

ART 12100
105 cm interaxial
110 cm length
Ø 48 mm tube
210 cm height



Pin scaffolding 120 cm interaxial painted half frame

ART 14205
105 cm interaxial
110 cm length
Ø 48 mm tube
110 cm height



Painted upright for parapet

ART. 14322 painted upright for parapet for pin scaffolding 1 mt tubo Ø 48 mm
ART. 14323 painted upright for parapet for pin scaffolding 2 mt tubo Ø 48 mm



Diagonals - braces

ART 13100 Pin scaffolding 105 painted diagonal 202 cm length, Ø 27 mm tube
ART 13140 Pin scaffolding 105 painted plan cross diagonal 202 cm length, Ø 27 mm tube
ART 13110 Pin scaffolding 105 painted horizontal brace 180 cm length, Ø 27 mm tube



Bushing scaffolding 120 cm interaxial painted frame

ART 12001
120 cm interaxial
125 cm length
Ø 48 mm tube
210 cm height



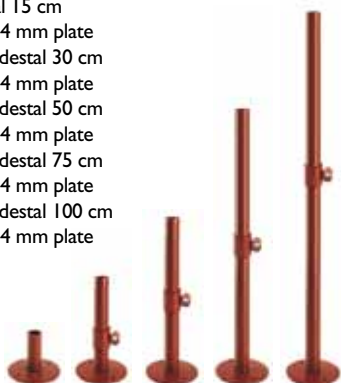
Bushing scaffolding 120 cm interaxial painted half frame

ART 14210
120 cm interaxial
125 cm length
Ø 48 mm tube
110 cm height



Painted pedestals

ART 14010 Painted fixed pedestal 15 cm Ø 40 mm tube, Ø 144 mm plate
ART 14030 Painted adjustable pedestal 30 cm Ø 40 mm tube, Ø 144 mm plate
ART 14050 Painted adjustable pedestal 50 cm Ø 40 mm tube, Ø 144 mm plate
ART 14075 Painted adjustable pedestal 75 cm Ø 40 mm tube, Ø 144 mm plate
ART 14100 Painted adjustable pedestal 100 cm Ø 40 mm tube, Ø 144 mm plate



Galvanized pedestals

ART 14011 Galvanized fixed pedestal 15 cm Ø 40 mm tube, Ø 144 mm plate
ART 14015 Galvanized adjustable pedestal 30 cm Ø 40 mm tube, Ø 144 mm plate
ART 14016 Galvanized adjustable pedestal 50 cm Ø 40 mm tube, Ø 144 mm plate
ART 14017 Galvanized adjustable pedestal 75 cm Ø 40 mm tube, Ø 144 mm plate
ART 14018 Galvanized adjustable pedestal 100 cm Ø 40 mm tube, Ø 144 mm plate



■ Painted upright for parapet

- ART. 14320** 1 mt painted upright for parapet for bushing scaffolding Ø 48 mm tube
ART. 14330 1 mt galvanized upright for parapet for bushing scaffolding Ø 48 mm tube



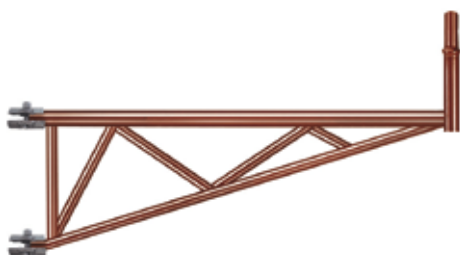
■ Beam frame 55 cm

- ART. 14523** Ø 48 mm tube, Ø 27 mm corner tube
ART. 14526 Galvanized version



■ Beam frame for short start 105 cm

- ART. 14525** Ø 48 mm painted tube
ART. 14230 Galvanized version



■ Beam frame for short start 155 cm

- ART. 14521** Ø 48 mm painted tube
ART. 14540 Galvanized version



■ Painted upright for parapet

- ART. 14321** 2 mt painted upright for parapet for bushing scaffolding Ø 48 mm tube
ART. 14331 2 mt galvanized upright for parapet for bushing scaffolding 2 mt. Ø 48 mm tube



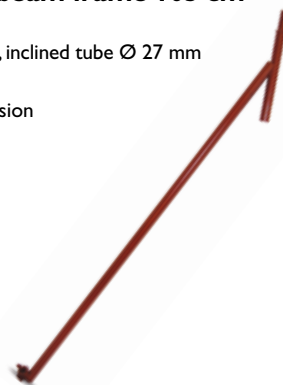
■ Short start tube for beam frame 55 cm

- ART. 14522** Ø 48 mm tube, inclined tube Ø 27 mm both painted
ART. 14537 Galvanized version



■ Short start tube for beam frame 105 cm

- ART. 14520** Ø 48 mm tube, inclined tube Ø 27 mm both painted
ART. 14231 Galvanized version



■ Short start tube for beam frame 155 cm

- ART. 14524** Ø 48 mm tube, inclined tube Ø 27 mm both painted
ART. 14541 Galvanized version





Cm 65 painted inferior reduced element for bushing scaffolding 105

ART. 14221 65 cm length
 Ø 48 mm tube
 210 cm height
 painted

ART. 02201 Galvanized version



Cm 40 painted inferior reduced element for bushing scaffolding 105

ART. 14222 40 cm length
 Ø 48 mm tube
 210 cm height
 painted

ART. 14227 Galvanized version



Cm 65 painted superior reduced element for bushing scaffolding 105

ART. 14220 65 cm length base
 105 cm interaxial top
 Ø 48 mm tube
 210 cm height
 painted

ART. 14226 Galvanized version



Cm 40 painted superior reduced element for bushing scaffolding 105

ART. 14223 40 cm length base
 105 cm interaxial top
 Ø 48 mm tube
 210 cm height
 painted

ART. 14228 Galvanized version



Cm 65 painted superior reduced element for bushing scaffolding 120

ART. 14224 65 cm length base
 120 cm interaxial top
 Ø 48 mm tube
 210 cm height
 painted



Cm 65 painted superior reduced element for bushing scaffolding 105

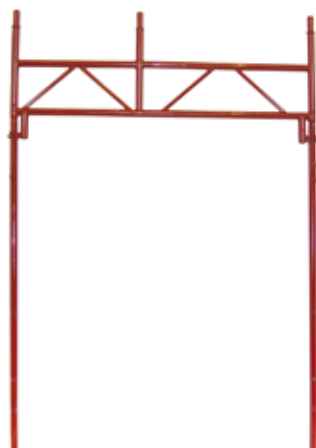
ART. 14221 65 cm length
 Ø 48 mm tube
 210 cm height
 painted



Frame large start 180/105

ART. 14225 width on base
 180 cm
 width on top
 105 cm
 height 210 cm
 tube Ø 48

ART. 14542 Galvanized version



Pin for scaffolding

ART. 15400 Pin for scaffolding Ø 12 mm
ART. 15410 Galvanized version



Slewing wheel

ART. 15500 Slewing wheel for scaffolding 200x40 mm
 Ø 40 x 190 mm tube
ART. 15510 Slewing wheel for scaffolding
 200x40 mm with brake
 Ø 40 x 190 mm tube



■ **Cm 120 oblique railing for scaffolding**

- ART. 14360** 210 cm length, Ø 48 mm tube
ART. 14229 Galvanized version



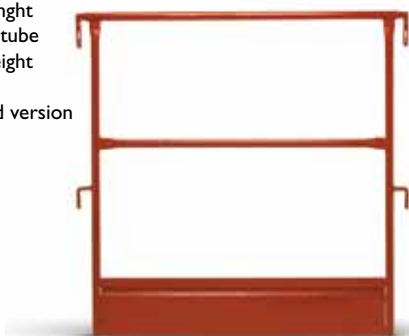
■ **Cm 360/540 beam frame**

- ART. 14500** 360 cm. bushing scaffolding 105
Ø 48 mm tube, Ø 27 mm oblique tube
ART. 14232 Galvanized version
ART. 14510 540 cm bushing scaffolding 105
Ø 48 mm tube, Ø 27 mm oblique tube
ART. 14233 Galvanized version



■ **Lateral gate for bushing scaffolding 105**

- ART. 14527** 105 cm length
Ø 27 mm tube
105 cm height
painted
ART. 14235 Galvanized version



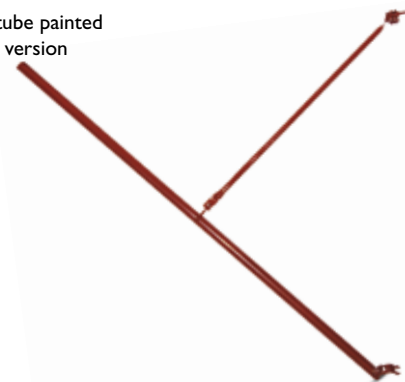
■ **Head gate cm 55**

- ART. 14529** 105 cm length
Ø 27 mm tube
105 cm height
painted
ART. 14544 Galvanized version



■ **Anti-stone shield safety system for scaffolding 150 cm**

- ART. 14361** Ø 48 mm tube painted
ART. 14362 Galvanized version



■ **Connection cross-bar for beam frames**

- ART. 14515** Ø 48 mm tube, Ø 27 mm oblique tube
ART. 14234 Galvanized version



■ **Head gates for bushing scaffolding 105 with wedges**

- ART. 14528** 105 cm length
Ø 27 mm tube
105 cm height
painted
ART. 14543 Galvanized version



■ **Plan cross diagonal for metallic boards**

- ART. 13115** 203 cm length
Ø 27 mm tube
painted
ART. 13116 Galvanized version

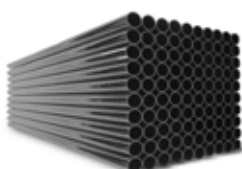




■ Tube and coupler-scaffolding

Ø 48 mm welded tube

painted	galvanized	Standard length cm
17001	2501	100
17002	4701	120
17003	2601	150
17004	4801	180
17005	2701	200
17007	4901	250
17008	5001	270
17009	2801	300
17010	5101	360
17011	2901	400
17012	5201	450
17013	3001	500
17014	5301	540
17015	3101	600



Olympic Village Torino 2006

■ Standard coupler

ART. 16001 Standard galvanized steel coupler



■ Right angle coupler

ART. 16012 Right angle galvanized steel coupler



■ Slewing coupler

ART. 16013 Slewing galvanized steel coupler



■ Connecting pin

ART. 15300 Connecting pin for tube. 200 mm length



■ Standard coupler

ART. 16020 Standard coupler with hinge



■ Right angle coupler

ART. 16021 Right angle coupler with hinge



■ Slewing coupler

ART. 16022 Slewing coupler with hinge



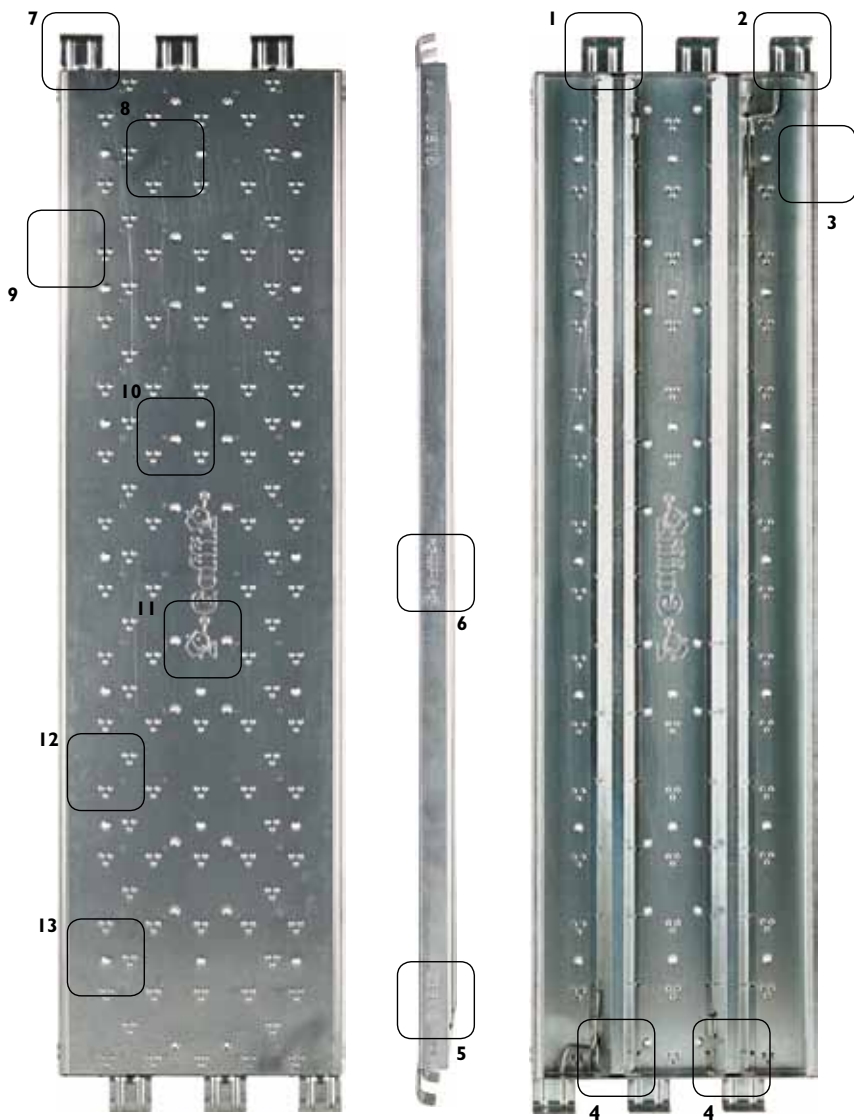
Galvanized boards for scaffolding

Galvanized board for accident prevention for scaffolding
50 cm width, 180 cm length, 5 cm height, Kg 14 weight, Kg 300/m² max. charge

ART. 11020 with hook left

ART. 11030 with hook right

ART. 15220 container for galvanized boards, 40 pieces capacity



1 Rivet system for perfect assembling between reinforced parts



2 Rivet system on the reinforced parts to avoid welding that, after some time, causes breaking or rust



3 Double edge for a safe and sure transport



4 Two reinforcing longitudinal bars



5 Year of production pressed on each profile



6 Goffi mark pressed on each profile



7 3 mm thick-pressed hooks



8 Rivet system to avoid weldings and to increase user's stability



9 Reinforced edge to help stocking



10 20 holes for a rapid water exit



11 Central Goffi mark on the board



12 Non-slip system



13 21 stability holes to increase user's stability

Tubular ladder with hooks

Ø 32 x 2 mm tube, Ø 17,9 x 1,6 mm rungs

ART. 10055 Tubular ladder with hooks for 2m galvanized scaffolding, Ø 32 mm tube

ART. 10050 2 m painted tubular ladder for scaffolding, ø 32 mm tube

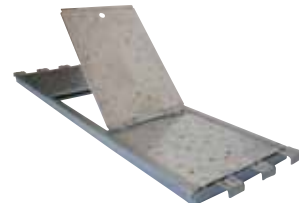


Galvanized board with trap-door

1800 mm length, 550 mm width, 50 mm thickness, approx. 23 Kg.

ART. 11012 with hook left

ART. 11035 with hook right



foot-stop flat galvanized board

ART. 11011 Foot-stop flat galvanized board.

1800 mm length, 200 mm width, approx. 4 Kg.

ART. 11013 Lateral foot-stop galvanized board.

1050 mm length, 200 mm width, approx. 2,5 Kg.





■ Anchorage for scaffolding

- ART. 15260** Anchorage for scaffolding OP50/210 270 mm length, Ø 50 mm eye, Ø 16 mm hole, 120 mm width
- ART. 15261** Anchorage for scaffolding OP50/270 320 mm length, Ø 50 mm eye, Ø 16 mm hole, 170 mm width
- ART. 15263** Spare part: anchorant part for OP50



■ Anchorage for scaffolding

- ART. 15270** Anchorage for scaffolding OP12/120 120 mm length, Ø 23 mm eye, Ø 12 mm hole, 100 mm width
- ART. 15271** Anchorage for scaffolding OP12/160 160 mm length, Ø 23 mm eye, Ø 12 mm hole, 100 mm width
- ART. 15272** Anchorage for scaffolding OP12/190 190 mm length, Ø 23 mm eye, Ø 12 mm hole, 100 mm width
- ART. 15273** Spare part: anchorant part for OP12



■ Sicurtubo

ART. 16070



■ Sicurbase

ART. 16072



■ Anchorage for scaffolding

- ART. 15265** Anchorage for scaffolding GP12/135 135 mm length, Ø 23 mm eye, Ø 12 mm hole, 100 mm width
- ART. 15266** Anchorage for scaffolding GP12/180 180 mm length, Ø 23 mm eye, Ø 12 mm hole, 100 mm width
- ART. 15267** Spare part: anchorant part for GP12



■ Painted tube

- ART. 15254** Galvanized tube for scaffolding anchorage for OP50 500 mm length, Ø 48 mm tube
- ART. 15251** Painted tube for scaffolding anchorage for GP12 and OP12 500 mm length, Ø 48 mm tube, Ø 12 mm pin
- ART. 15252** Galvanized tube for scaffolding anchorage for GP12 and OP12 500 mm length, Ø 48 mm tube, Ø 12 mm pin



■ Tubostop

ART. 16071



■ Tubostil

ART. 16073



Painted adjustable props with plane based plates, cast iron coupling box and anti-crushing system

Ø 56 x 1.8 mm external tube with threaded male, cast **iron coupling box**
Ø 48 x 1.8 internal tube, Ø 12 mm pin, 110 x 100 x 4 mm plate

- ART. 6010 170/290
- ART. 6001 190/330
- ART. 6002 200/360
- ART. 6004 220/400
- ART. 6007 250/440

- ART. 6020 50/80
- ART. 6021 80/120
- ART. 6023 100/170
- ART. 6025 120/210



European patent



Galvanized adjustable props with plane based plates, cast iron coupling box and anti-crushing system

Ø 56 x 1.8 mm external tube with threaded male, cast **iron coupling box** Ø 48 x 1.8 internal tube, Ø 12 mm pin, 110 x 100 x 4 mm plate

- ART. 6145 170/290
- ART. 6147 190/330
- ART. 6150 200/360
- ART. 6149 220/400
- ART. 6151 250/440



European patent



Painted adjustable props with cross-bar

Ø 56 x 1.8 mm external tube with threaded male, coupling box steel.
Ø 48 x 1.8 mm sliding tube, threaded coupling with collar and Ø 12 mm pin, 110 x 110 x 4 mm plane base plate, cross-bar length: 550 mm

- ART. 7001 190/330
- ART. 7002 200/360
- ART. 7004 220/400
- ART. 7007 250/440



Painted adjustable props with plane based plates and iron coupling box

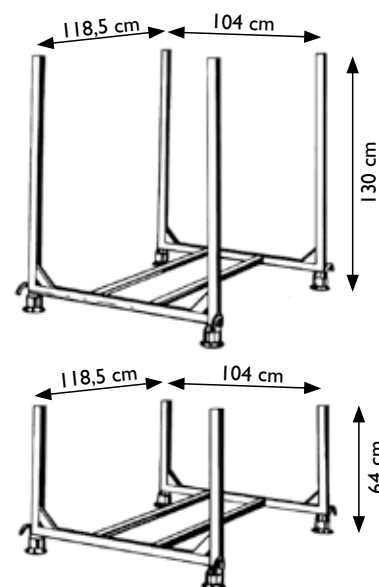
Ø 56 x 1.8 mm external tube with threaded male, **iron coupling box**
Ø 48 x 1.8 internal tube, Ø 12 mm pin, 110 x 100 x 4 mm plate

- ART. 11001 170/290
- ART. 11201 190/330
- ART. 11301 200/360
- ART. 11401 220/400
- ART. 11501 240/440



Container for props

- ART. 15222 Dim. 118.5 x 104 x 64 cm
Weight 30 Kg.
Capacity: 50 plane based plates props
40 props with welded cross-bar.
- ART. 15225 Dim. 118.5 x 104 x 100 cm.
Weight 45 Kg.
Capacity: 100 plane based plates props
60 props with welded cross-bar
- ART. 15230 Dim. 118.5 x 104 x 130 cm.
Weight 45 Kg.
Capacity: 150 plane based plates props
85 props with welded cross-bar
- ART. 15226 "ECO" props container with tube on Ø 48mm
Capacity: 100pcs





Self-certificated props-italy, ue type:

All our props are marked, recognizable and they have a self-certification which identifies the characteristics and the load capacities with specially constructed machines (see photo), props were subjected to horizontal load of 20 DaN, with progressive loads until reaching the collapse of the prop.

Anti-unthreading system of the internal tube

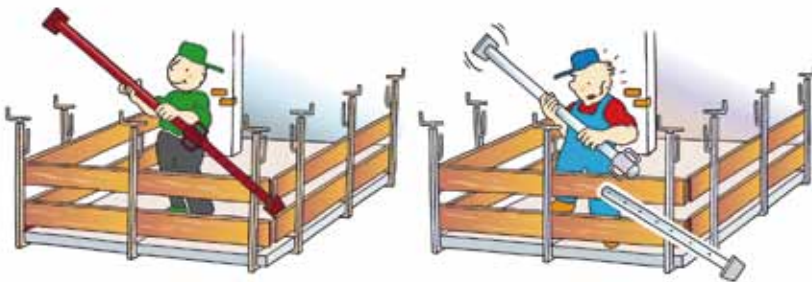
To stop the internal tube leaving the external tube, it is deformed in such a way as to stop at an exact point, and therefore does not unthread. The absence of the whole within the last 300 mm at the end of the external tube avoids any fixing which could be unsafe for the user. Also, the fact that the tube is longer gives better stability. In this way we can avoid such unsafe events as:

- The internal tube at the longest point can fall down out of the structure;
- The tube can crash onto the user.

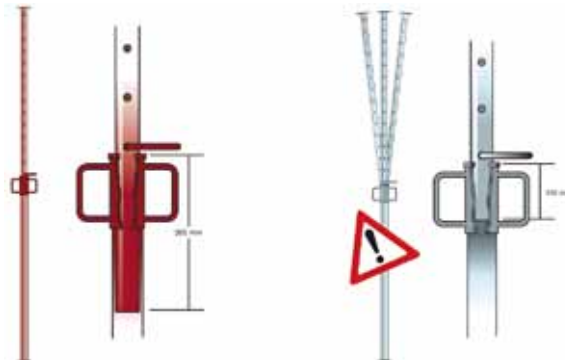


EUROPEAN PROPER

NB: ask for the booklet completed with technical report and directions for use



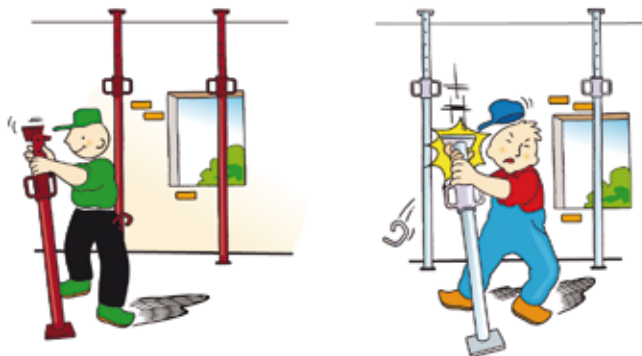
- 1 - The German safety at work rule states that a prop should have a safety stop to avoid unthreading (DIN 4424 5.6)
- 2 - The German safety at work rule states "At its maximum opening the covered part of the internal tube must be at least 300 mm, without taking into consideration the parts that are on movement of the regulation system
- 3 - The German Rule ask "The complete unthreading of the coupling box for the regulation is to avoid in a constructive way (DIN 4424 punto 5.5.4).



Anti-crushing system

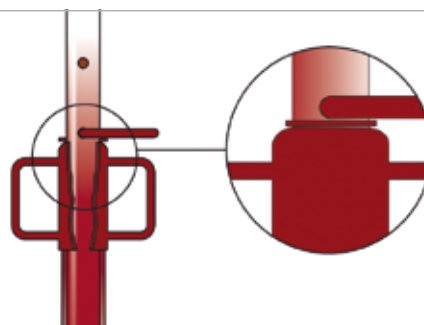
On most props if the external tube is allowed to fall down sharply there is a danger of crushing a hand between the external prop and the plate on the internal prop. Thanks to a longer tube we can avoid this danger

- 1 - The German standard (DIN 4424 5.7) states that the props should be manufactured in such a way that a minimum position the distance between the lower corner of the internal plate and the top of the internal tube should be 100 mm

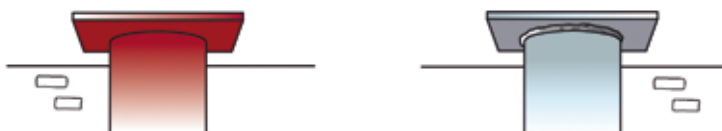


The coupling box

The space between the internal tube and the coupling box has been reduced. This has meant that at maximum tests, there is inferior pin deformation. This is because we have created a flat space that is now supported by the washer and the coupling box. In the past, and in other traditional production, the pin can get deformed because there is too much space and all of the weight is taken on the pin and the washer



We studied a special system to do not weld on the plates, maintaining a perfect link between these ones and the upright, to avoid ruptures that usually are on the weldings



Aurea basic

Steel wheelbarrow with handle grip, Ø 30 x 1,5 mm tubular frame, 0,8 mm-thick welded and painted pressed tray, capacity Lt 70

- ART. 1003** Ø 350 mm pneumatic wheel, 1 mm-thick steel rim
- ART. 1004** Ø 350 mm wheel with solid rubber tyre, 1 mm-thick steel rim



Aurea strong

Steel wheelbarrow strong type, Ø 30 x 1,5 mm tubular frame, 1 mm-thick welded and painted pressed heavy tray, capacity Lt.70

- ART. 1005** Ø 350 mm pneumatic wheel, 1 mm-thick steel rim
- ART. 1006** Ø 350 mm wheel with solid rubber tyre, 1 mm-thick steel rim



Aurea basic partially disassembled

Steel wheelbarrow partially disassembled with handle grip, Ø 30 x 1,5 mm tubular painted frame, 0,9 mm-thick pressed galvanized tray, capacity Lt 70

- ART. 1015** Ø 350 mm pneumatic wheel, 1 mm-thick steel rim
- ART. 1016** Ø 350 mm wheel with solid rubber tyre, 1 mm-thick steel rim



Aurea with PVC tray

Wheelbarrow with Ø 30 mm painted, tray capacity Lt 100.

- ART. 18444** Ø 350 mm pneumatic wheel



Aurea tipper

Steel wheelbarrow with tipping handles, Ø 30 x 1,5 mm tubular frame, 0,8 mm-thick welded and painted pressed tray, capacity Lt 70

- ART. 1007** Ø 350 mm pneumatic wheel, 1 mm-thick steel rim
- ART. 1008** Ø 350 mm wheel with solid rubber tyre, 1 mm-thick steel rim



Technical information and using instruction are given with this wheelbarrow, in conformity with european rules
CE Bench Mark





■ Heavy wheelbarrow

Iron frame "U" shape, tinfoil tray painted completely welded thickness 1,2mm

ART. 1009 Ø 350 mm pneumatic wheel, steel rim

ART. 1010 Ø 350 mm pneumatic wheel, steel rim



■ Heavy tipper wheelbarrow

Iron frame "U" shape, tinfoil tray painted completely welded thickness 1,2 mm, with tipping handles

ART. 1011 Ø 350 mm pneumatic wheel, steel rim

ART. 1012 Ø 350 mm pneumatic wheel, steel rim



■ Totally disassembled steel wheelbarrow

Tubular frame Ø 30 mm x 1,5mm, epoxy powder painted, painted tray 1mm thickness Lt 90 capacity

ART. 1019 Ø 380 mm pneumatic wheel

ART. 1020 wheel with solid rubber tyre



■ Totally disassembled steel wheelbarrow

Tubular frame Ø 30 mm x 1,5mm, epoxy powder painted, galvanized tray 1mm thickness Lt 90 capacity

ART. 1021 Ø 380 mm pneumatic wheel

ART. 1022 wheel with solid rubber tyre



■ Trays for Aurea wheelbarrows

ART. 4010 Tray for Aurea Basic Lt 70 - thickness 0,8 mm

ART. 4011 Tray for Aurea Basic Partially disassembled Lt 70 thickness 0,9 mm

ART. 4020 Tray for Aurea Strong Lt 75 - thickness 1 mm

ART. 4030 Tray for Aurea Tipper Lt 70 - thickness 0,8 mm



■ Wheels for Aurea wheelbarrows

ART. 5100 Ø 350 X 80 mm, pneumatic wheel for wheelbarrow Aurea 1 mm-thick steel rim

ART. 5200 Ø 350 X 80 mm, wheel with solid rubber tyre, 1 mm-thick steel rim



Adjustable trestle for floor

- ART. 8000** 800 cm min. height, 1500 cm max height
- ART. 8004** 110 cm min. height, 190 cm max height
- ART. 8001** 125 cm min. height, 210 cm max height
- ART. 8002** 1500 cm min. height, 2700 cm max height



Iron latch for forms

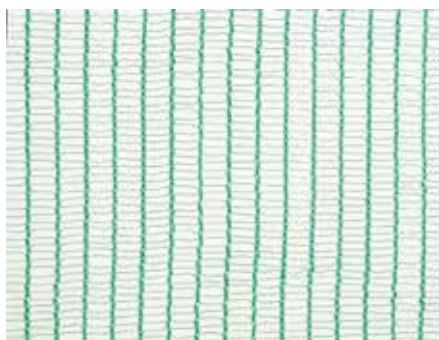
Iron latch with wedges for forms

- ART. 3001** 650 cm length
- ART. 3002** 850 cm length
- ART. 3003** 1100 cm length
- ART. 3004** 1350 cm length
- ART. 3010** Wedges for pillar shape cravat



Nettings

- ART. 16040** Green netting with weaving in polyethylene monoyarn. Resistance to brake: 200 kg/m²



Adjustable trestle for floor

- ART. 8010** djustable trestle for floor 2100 cm min. width, 3900 max width
800 cm min. height, 1400 cm max height



Level makers

Metallic level maker epoxy coated to realize rear-end lines for the laying of cement blocks, expanded clay and bricks

- ART. 16030** Level maker with pedal cm 210/320
- ART. 16031** Level maker with pedal cm 220/400
- ART. 16032** Level maker without pedal cm 210/320
- ART. 16033** Level maker without pedal cm 220/400



Tubular ladder

- Ø 40x2 mm tube,
Ø 21 x 1,5 shagreened rungs

- ART. 10001** Height 2,00 mt.
- ART. 10002** Height 2,50 mt.
- ART. 10003** Height 3,00 mt.
- ART. 10004** Height 3,50 mt.
- ART. 10005** Height 4,00 mt.
- ART. 10006** Height 4,50 mt.
- ART. 10007** Height 5,00 mt.



European patent





Sit barrier

Sit barrier with a system of fixing and junction with a simple groove. Epoxy coating with six reflecting labels, a Ø 28 mm tubular frame, 1mm height and 340 x 340 mm advertising plates

ART. 18321 1,5 mt lenght - 9 kg.

ART. 18322 2 mt lenght - 10,5 kg.



Tipper grabs

This products are all ratified and are supplied with a conformity-declaration and user manual

ART. 14431 Capacity Lt. 200

ART. 14432 Capacity Lt. 300

ART. 14433 Capacity Lt. 400

ART. 14434 Capacity Lt. 500

ART. 14435 Capacity Lt. 600

ART. 14436 Capacity Lt. 800

ART. 14437 Capacity Lt. 1000



Rules references

D.P.R. 547 del 27/04/1955 "Rules for industrial injuries prevention".

D.P.R. 524 del 08/06/1992 Incorporation of 77/576/EEC and 79/640/EEC and UNI rules 7545/1-23 and G.U. European Community 91/c53 dated 2/02/91.

D.P.R. 459 del 24/07/1996 Incorporation of EEC directive 789/392 and following modification fixed by directive 91/368/EEC, 93/44/EEC, 93/68/EEC.

Roof-protection system

ART. 15060 System for slabs and balcony, screw-blockage system, galvanized



Bottom-opening skips

This products are all ratified and are supplied with a conformity-declaration and user manual

ART. 14421 Capacity Lt. 200

ART. 14422 Capacity Lt. 250

ART. 14423 Capacity Lt. 300

ART. 14424 Capacity Lt. 400

ART. 14425 Capacity Lt. 500

ART. 14426 Capacity Lt. 600

ART. 14427 Capacity Lt. 800

ART. 14428 Capacity Lt. 1000



ATTENTION

Do not take over from the maximum charge of the accessories. Do always follow the user manuals given by the supplier of conveyors and bands. Do always check the use state of conveyors and/or bands. Do not use conveyors and/or bands that do not have the label with carrying capacity datas. Do hitch the accessories always and only to the previous foreseen points. When filling the grab, do not go in height over the edge of the grab. It is absolutely forbidden to use this grabs to lift materials that are different from the one listed in the user manual or to lift person.

■ **Closed hopper**

ART. 18001



■ **Open hopper**

ART. 18002



■ **Rubbish chute**

ART. 18000 Rubbish chute



■ **Window fixing frame**

ART. 17600 Galvanized steel frame to fix on windows or on roof projections. (on request)



■ **Technical details**

ART. 18000 Rubbish chutes

Material: first rate linear polyethylene
 Dimensions: upper external diameter 59cm
 Upper internal diameter 50cm
 Downer diameter 30cm
 Height 108cm
 Weight: 9,5Kg

ART. 18001/18002 Hopper

Material: first rate linear polyethylene
 Dimensions: Height 85cm
 Length 98cm
 Width 74cm
 Lower diameter 39cm





Goffi Industrie Edilizia Srl
Via Iegnago, 47 25089 Villanuova sul Clisi - Brescia - Italy
Tel. 0365 31861 r.a. - Fax 0365 32350
info@goffisrl.it - www.goffisrl.it