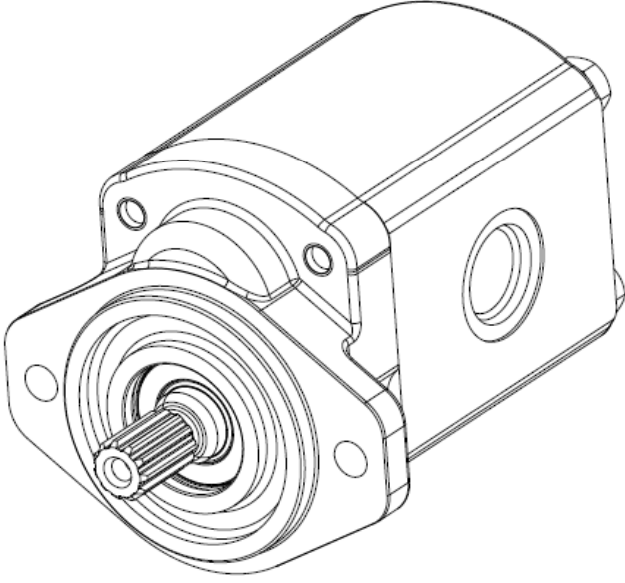




**1CP** **DİŞLİ POMPALAR**  
**GEAR PUMPS**

## Tekli Pompa Ölçüleri ve Performans Özellikleri

*Single Pump Dimensions and Performance Specifications*

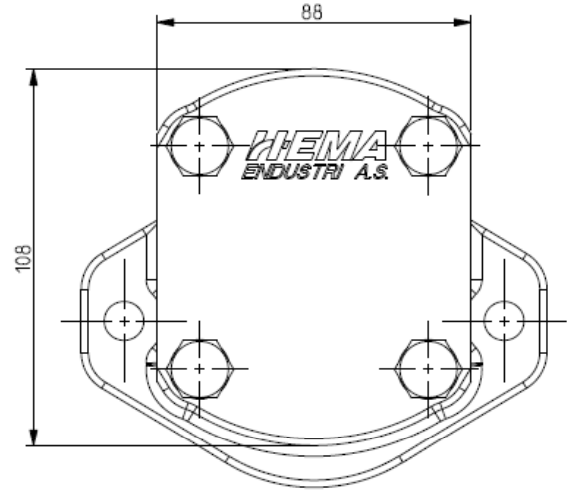
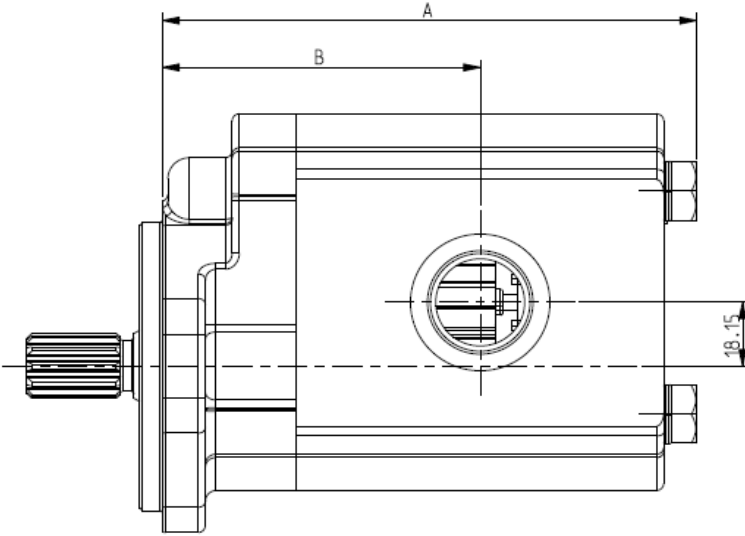


• Titreşim ve Gürültüye Karşı 13 Dişli Özel Tasarım  
*13 Tooth Special Gear Design For Reduced Pressure Pulsation and Low Noise Operation.*

• 16 - 41 cc/rev Deplasman Aralığı  
*Displacements Range From 16 – 41 cc/rev*

• Döküm Gövde ve Kapak Tasarımı  
*Cast Iron Housing and Front Cover*

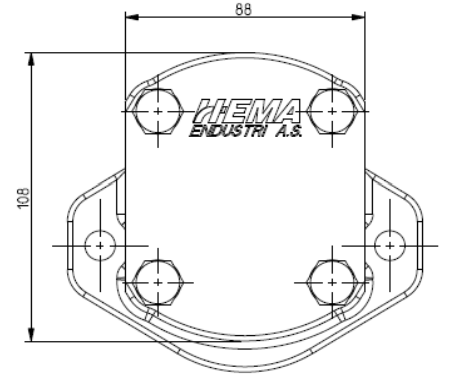
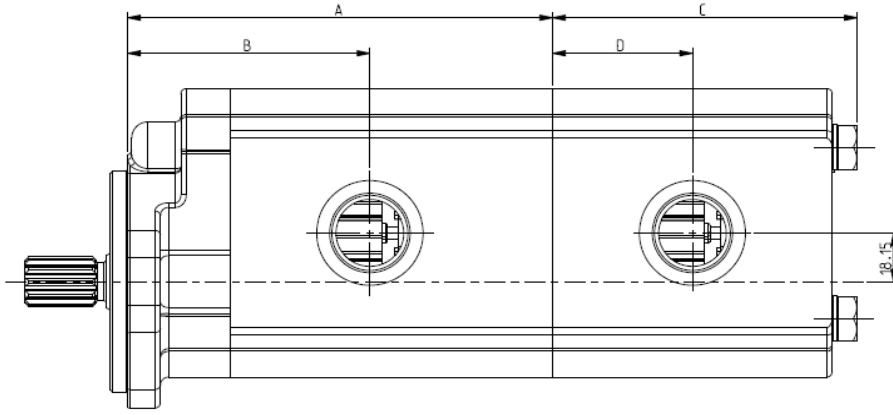
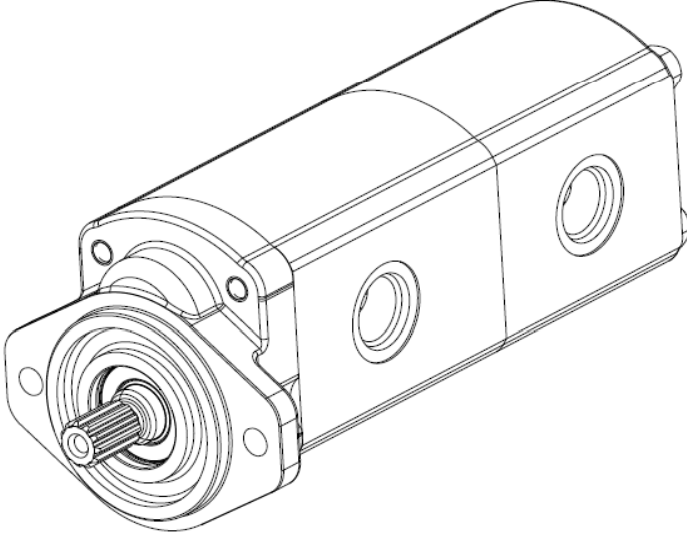
• Geniş Çalışma Aralığı  
*Wide Operating Range*



MODEL	İLETİM HACİM DISPLACEMENT cm <sup>3</sup> /dev (cm <sup>3</sup> /rev)	MAKS. ÇIKIŞ BASINCI MAX. OUTLET PRESSURE bar	MİN. HIZ MIN. SPEED dev/dk -rpm	MAKS. HIZ MAX. SPEED dev/dk -rpm	A mm	B mm
016	16	276	500	3000	119.2	73.8
019	19	276	500	3000	122.9	75.6
023	23	276	500	3000	127.7	78
027	27	276	500	3000	132.5	80.4
030	30	276	500	3000	136.2	82.2
033	33	250	500	2800	139.8	84
035	35	225	500	2600	142.2	85.3
041	41	180	500	2300	149.5	88.9

## Tandem Pompa Ölçüleri

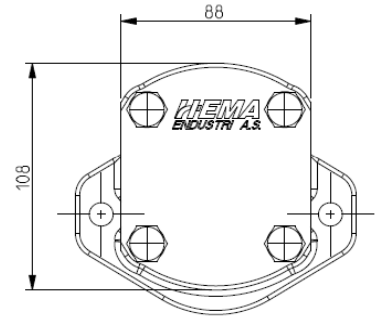
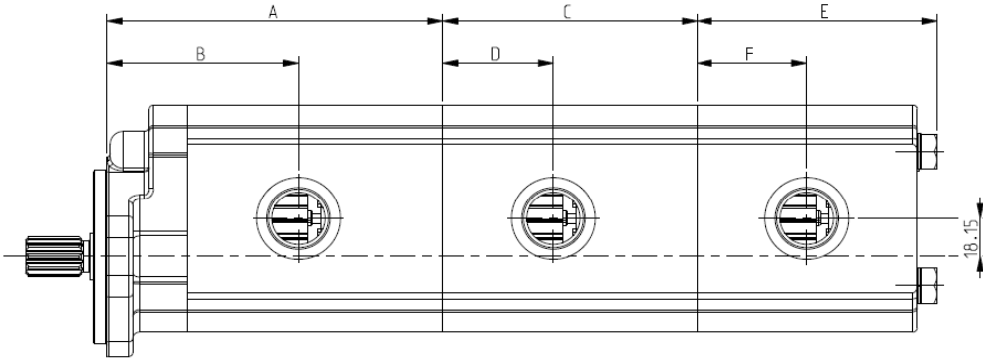
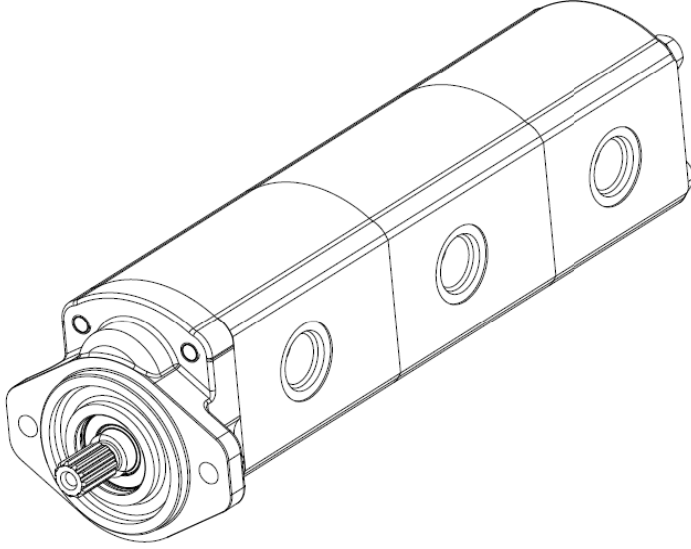
*Tandem Pump Dimensions*



MODEL	İLETİM HACİM DISPLACEMENT cm <sup>3</sup> /dev (cm <sup>3</sup> /rev)	MAKS. ÇIKIŞ BASINCI MAX. OUTLET PRESSURE bar	MİN. HIZ MIN. SPEED dev/dk -rpm	MAKS. HIZ MAX. SPEED dev/dk -rpm	A mm	B mm	C mm	D mm
016	16	276	500	3000	125.7	73.8	81.7	36.3
019	19	276	500	3000	129.3	75.6	85.4	38.1
023	23	276	500	3000	134.2	78.0	90.2	40.5
027	27	276	500	3000	139.0	80.4	95.3	42.9
030	30	276	500	3000	142.6	82.2	98.7	44.7
033	33	250	500	2800	146.3	84.0	102.3	46.5
035	35	225	500	2600	148.7	85.3	104.7	47.8
041	41	180	500	2300	155.9	88.9	111.9	51.4

## Triple Pompa Ölçüleri

Triple Pump Dimensions



MODEL	İLETİM HACİM DISPLACEMENT	MAKS. ÇIKIŞ BASINCI MAX. OUTLET PRESSURE	MİN. HIZ MIN. SPEED	MAKS. HIZ MAX. SPEED	A	B	C	D	E	F
	cm <sup>3</sup> /dev (cm <sup>3</sup> /rev)	bar	dev/dk -rpm	dev/dk -rpm	mm	mm	mm	mm	mm	mm
016	16	276	500	3000	125.7	73.8	88.2	36.3	81.7	36.3
019	19	276	500	3000	129.3	75.6	91.8	38.1	85.4	38.1
023	23	276	500	3000	134.2	78.0	96.7	40.5	90.2	40.5
027	27	276	500	3000	139.0	80.4	101.5	42.9	95.3	42.9
030	30	276	500	3000	142.6	82.2	105.1	44.7	98.7	44.7
033	33	250	500	2800	146.3	84.0	108.8	46.5	102.3	46.5
035	35	225	500	2600	148.7	85.3	111.2	47.8	104.7	47.8
041	41	180	500	2300	155.9	88.9	118.5	51.4	111.9	51.4

## DİŞLİ POMPA KODLARI GEAR PUMP MODEL CODE

1CP 030 A G2 S1 2 A 2 A V

POMPA SERİSİ PUMP SERIES
1CP

HER POMPA KISMI İÇİN TEKRAR REPEAT FOR EACH PUMP SECTION
--

TİPİ TYPE	İLETİM HACMİ DISPLACEMENT
016	16 cm <sup>3</sup> /dev (cm <sup>3</sup> /rev)
019	19 cm <sup>3</sup> /dev (cm <sup>3</sup> /rev)
023	23 cm <sup>3</sup> /dev (cm <sup>3</sup> /rev)
027	27 cm <sup>3</sup> /dev (cm <sup>3</sup> /rev)
030	30 cm <sup>3</sup> /dev (cm <sup>3</sup> /rev)
033	33 cm <sup>3</sup> /dev (cm <sup>3</sup> /rev)
035	35 cm <sup>3</sup> /dev (cm <sup>3</sup> /rev)
041	41 cm <sup>3</sup> /dev (cm <sup>3</sup> /rev)

KODU CODE	DÖNÜŞ YÖNÜ ROTATION
A	SOL COUNTER-CLOCKWISE
C	SAĞ CLOCKWISE

HER POMPA KISMI İÇİN TEKRAR REPEAT FOR EACH PUMP SECTION
---

GİRİŞ / İNLET

GİRİŞ / İNLET

ÇIKIŞ / OUTLET

ÇIKIŞ / OUTLET

KODU CODE	KEÇELER SEALS
N	STANDART STANDART
V	VİTON VITON

GİRİŞ ÇIKIŞ DELİK ÖLÇÜLERİ INLET OUTLET PORT DIMENSIONS
SAYFA 3 PAGE 3

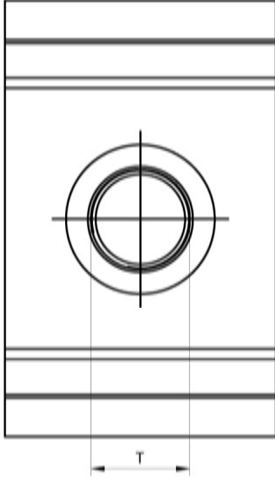
KODU CODE	ŞAFT TİPİ SHAFT TYPE
S1	SAE SPLINE 11 DİŞ SAE SPLINE 11 TEETH
S2	SAE SPLINE 13 DİŞ SAE SPLINE 13 TEETH

TİPİ TYPE	GİRİŞ ÇIKIŞ DELİK TİPLERİ INLET OUTLET PORT TYPES
1	DİŞLİ PORTLAR (SAE) THREAD PORTS (SAE)
2	DİŞLİ PORTLAR (GAS) THREAD PORTS (GAS)
3	DİŞLİ PORTLAR (METRİK) THREAD PORTS (METRIC)
4	FLANSLI PORT (GERMAN) FLANGED PORTS (GERMAN)
5	FLANSLI PORT (EUROPEAN) FLANGED PORTS (EUROPEAN)

KODU CODE	ÖN KAPAK TİPİ MOUNTING FLANGE TYPE
G1	SAE "A" 2 CİVATALI SAE "A" 2 BOLTS
G2	SAE "B" 2 CİVATALI SAE "B" 2 BOLTS

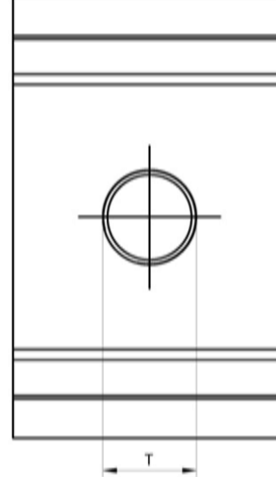
## DELİK TİPLERİ HOLE TYPES

### 1 DİŞLİ PORTLAR (SAE) THREAD PORTS (SAE)



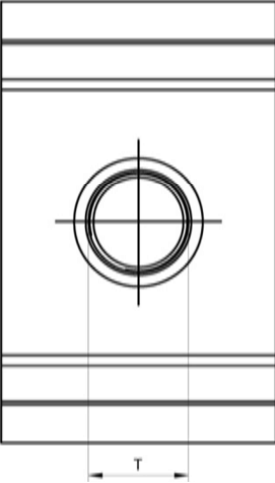
KOD CODE	T
A	7/8"-14 UNF 2B
B	1 1/16"-12 UN 2B
C	1 5/16"-12 UN 2B
D	1 5/8"-12 UN 2B

### 2 DİŞLİ PORTLAR (GAS) THREAD PORTS (GAS)



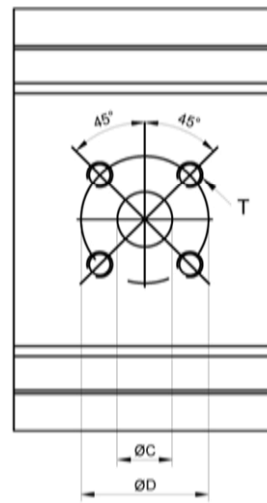
KOD CODE	T
A	G 1/2
B	G 3/4
C	G 1

### 3 DİŞLİ PORTLAR (METRİK) THREAD PORTS (METRIC)



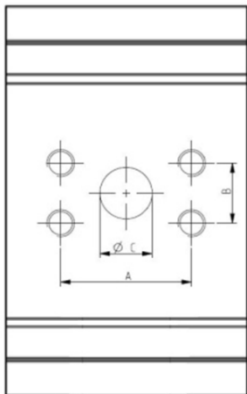
KOD CODE	T
A	M22 x 1.5
B	M27 x 2
C	M33 x 2

### 4 FLANŞLI PORT (ALMAN) FLANGED PORTS (GERMAN)



KOD CODE	ØC	ØD	T
A	15	35	M6x1
B	18	36	M8x1.25
C	20	40	M6x1
D	26	52	M8x1.25

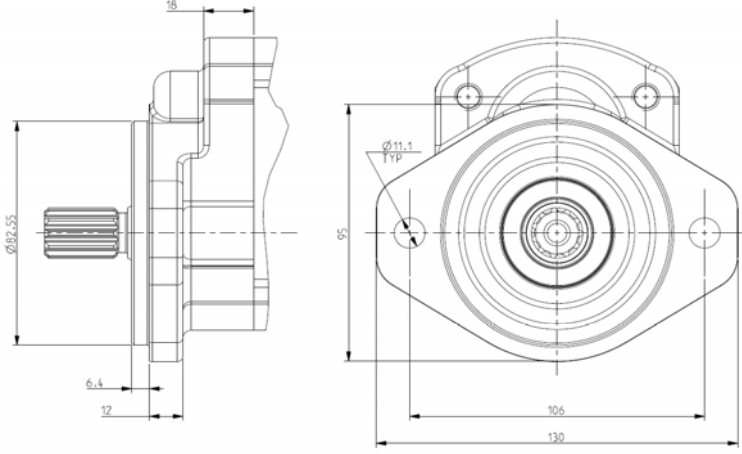
### 5 FLANŞLI PORT (SAE FLANŞLI) FLANGED PORTS (SAE FLANGE)



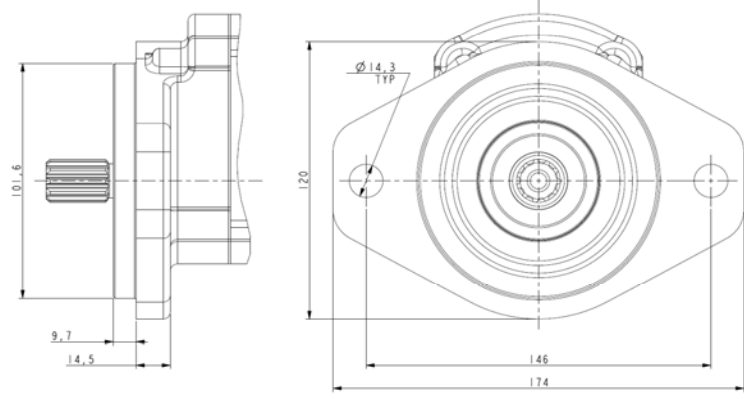
KOD CODE	ØC	A	B	T
A	19	47.6	22.2	M10x1.5
B	19	47.6	22.2	3/8"-16
C	25	52.4	26.2	M10x1.5
D	25	52.4	26.2	3/8"-16
E	32	58.6	30.2	M10x1.5
F	32	58.6	30.2	7/16"-14

**ÖN KAPAKLAR**  
**MOUNTING FLANGES**

<b>G1</b>	<b>SAE A 2 CİVATALI</b> <b>SAE A 2 BOLTS</b>
-----------	---

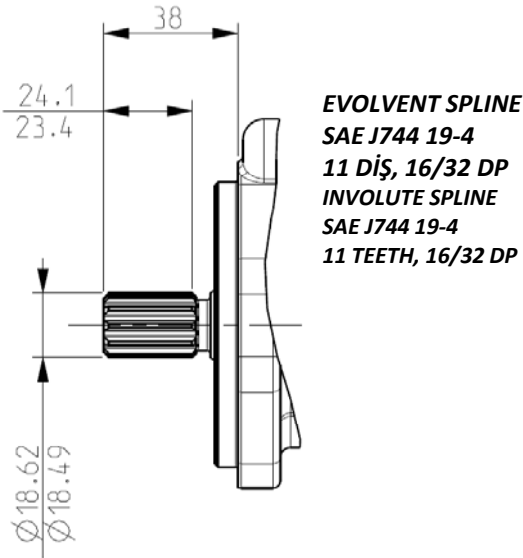


<b>G2</b>	<b>SAE B 2 CİVATALI</b> <b>SAE B 2 BOLTS</b>
-----------	---



**ŞAFT TİPLERİ**  
**SHAFT TYPES**

<b>S1</b>	<b>SAE SPLINE 11 DİŞ</b> <b>SAE SPLINE 11 TEETH</b>
-----------	--



<b>S2</b>	<b>SAE SPLINE 13 DİŞ</b> <b>SAE SPLINE 13 TEETH</b>
-----------	--

