



INTERPUMP

FLUID SOLUTIONS 

Powered by I.M.M. Hydraulics

Quick Couplings

2020

Quick Release Couplings

in!

80FF

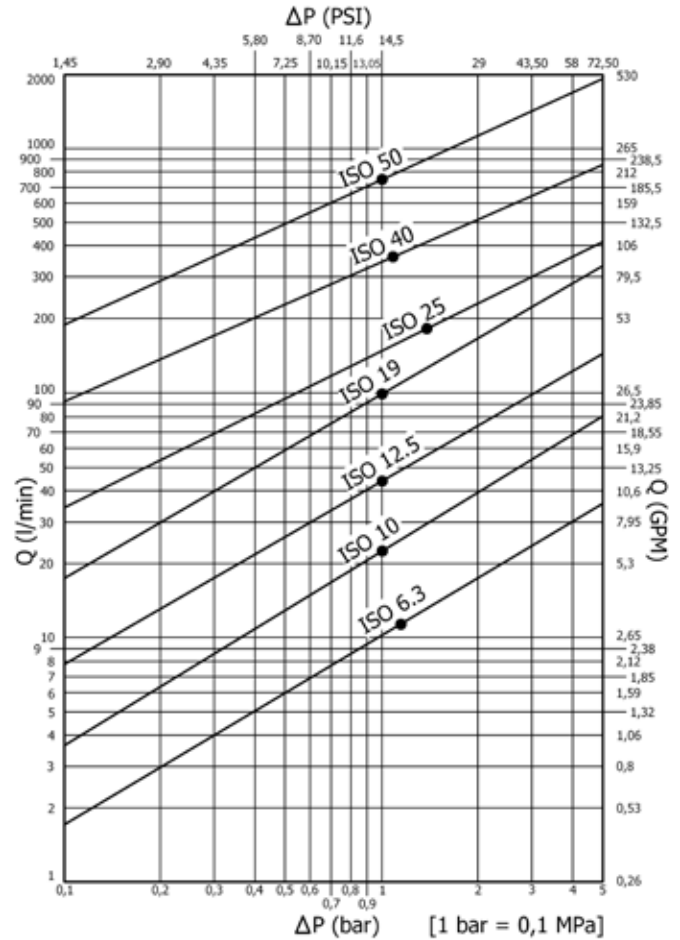
Flat Face quick-release couplings

APPLICATIONS:



Features:

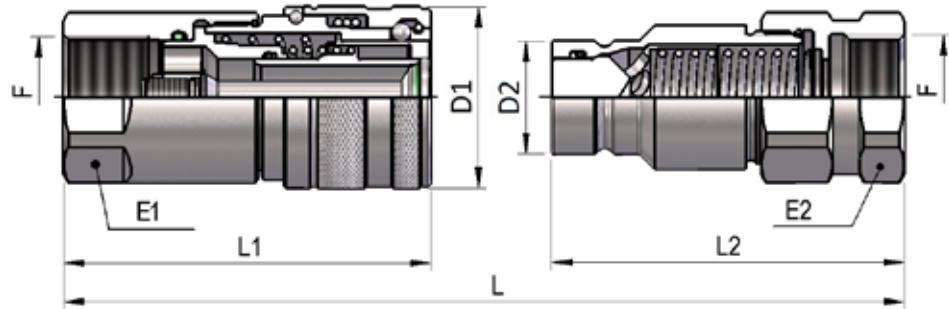
- Standard: ISO 16028.
- Shut-off flat valve system.
- Locking: radial balls.
- Material: steel.
- Finishing: Zn-Ir (Cr III).
- Thread: BSP-NPT-SAE.
- Standard seals: NBR.
- Operating temperature range: -25°C+100°C.
- Optional seals: FFKM, EPDM o altro.
- Working pressure: 250-300 bar.
- Pressure connection: not allowed.



Pressure drop

Technical Data:

Nominal size		Max working pressure	Rated flow	Max flow rate	Min burst pressure			Fluid spillage
ISO	mm				male	female	coupled	
		MPa	l/min	l/min	MPa	MPa	MPa	cc
ISO 6.3	6	25	12	24	180	120	140	0,008
ISO 10	8,6		23	46	160	100	160	0,01
ISO 12.5	10,7		45	90	150	110	190	0,012
ISO 19	14,8		100	200	140		140	0,02
ISO 25	17,6		189	280	130	100	140	0,03
ISO 40	30		379	700	120	120	110	0,05
ISO 50	40,6		757	1000	100	100	100	0,1



Nominal size ISO	Dimensions:													Plug	
	Part Number		Size	Thread	Dimensions							Weight		male	female
	Female	Male	dash	F	D1	D2	L1	L2	L	E1	E2	female	male		
ISO 6.3	80FF0404GF	80FF0404GM	6	1/4"	28	16,2	58,5	52	100	22	22	181	96	PLUG-04IFM	PLUG-04IFF
ISO 10	80FF0606GF	80FF0606GM	13	3/8"	32	19,76	67,3	63,5	115,1	27	27	256	156	PLUG-06IFM	PLUG-06IFF
ISO 10	80FF0608GF	80FF0608GM	13	1/2"	32	19,76	72,3	67,5	124,1	27	27	253	151	PLUG-06IFM	PLUG-06IFF
ISO 12.5	80FF0808GF	80FF0808GM	20	1/2"	38	24,55	78,5	72,5	133,7	32	36	413	305	PLUG-08IFM	PLUG-08IFF
ISO 12.5	80FF0812GF	80FF0812GM	20	3/4"	38	24,55	84	74,5	141,2	36	36	445	282	PLUG-08IFM	PLUG-08IFF
ISO 19	80FF1212GF	80FF1212GM	25	3/4"	48	29,95	93,6	86	157,5	46	41	850	478	PLUG-12IFM	PLUG-12IFF
ISO 19	80FF1216GF	80FF1216GM	25	1"	48	29,95	93,6	86	157,5	46	41	789	423	PLUG-12IFM	PLUG-12IFF
ISO 25	80FF1620GF	80FF1620GM	30	1.1/4"	55	36	109,3	90	177	50	50	1139	648	PLUG-16IFM	PLUG-16IFF
ISO 40	80FF2024GF	80FF2024GM	39	1.1/2"	79	57,05	118,3	119,5	210	70	70	2703	1879	***	***
ISO 50	80FF2432GF	80FF2432GM	50	2"	103	72,9	147,4	173	283	80	80	5500	4890	***	***



MALE PLUG FOR FEMALE QUICK COUPLING
TAPPO MASCHIO PER INNESTO RAPIDO FEMMINA



FEMALE PLUG FOR MALE QUICK COUPLING
TAPPO FEMMINA PER INNESTO RAPIDO MASCHIO

COLOUR RED/ROSSO



MATERIAL PVC

X80FF

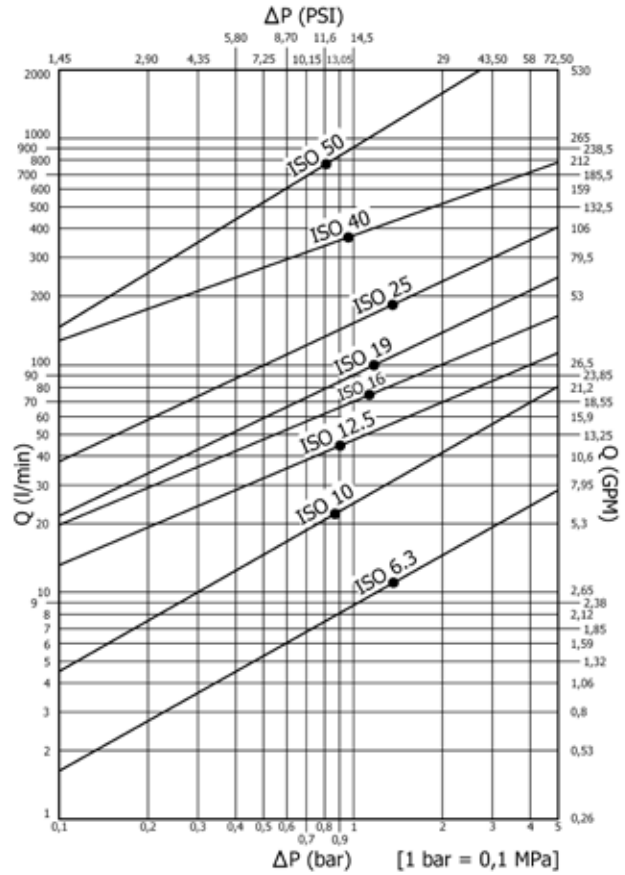
Flat Face quick-release couplings

APPLICATIONS:



Features:

- Standard: ISO 16028.
- Shut-off: flat valve system.
- Locking: radial balls.
- Material: stainless steel AISI 316.
- Thread: BSP-NPT- SAE .
- Standard seals: FKM.
- Operating temperature range: $-25^{\circ}\text{C}+200^{\circ}\text{C}$.
- Optional seals: EPDM, FFKM o altro.
- Working pressure: 100-400 bar.
- Pressure connection: not allowed.

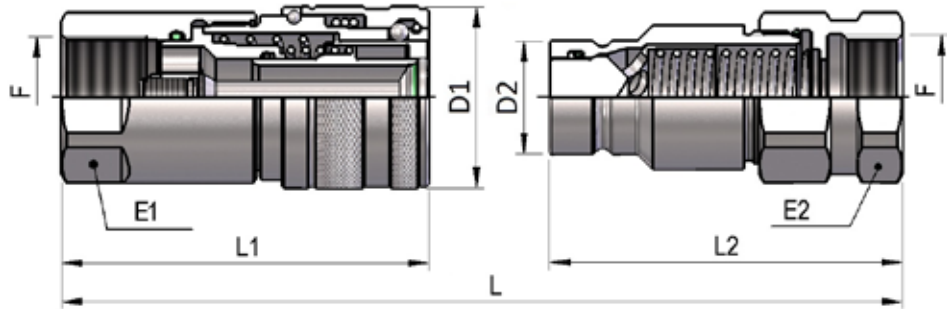


Pressure drop

Technical Data:

Nominal size		Max working pressure	Rated flow	Max flow rate	Min burst pressure			Fluid spillage
ISO	mm				male	female	coupled	
		MPa	l/min	l/min	MPa	MPa	MPa	cc
ISO 6.3	6	40	12	24	260	160	130	0,008
ISO 10	8,6	25	23	46	140	100	190	0,01
ISO 12.5	10,7		45	90	130		160	0,012
ISO 16	12,8		74	150	110		140	0,015
ISO 19	14,8		100	200	100		100	0,02
ISO 25	17,6		189	280	100		100	0,03
ISO 40	30	15	379	700	60	60	60	0,05
ISO 50	40,6	10	757	1000	40	40	40	0,1

X80FF



Nominal size ISO	Dimensions:												Plug		
	Part Number		Size	Thread	Dimensions						Weight		male	female	
	Female	Male	dash	F	D1	D2	L1	L2	L	E1	E2	female	male		
ISO 6.3	X80FF0404GF	X80FF0404GM	6	1/4"	28	16,2	58,5	60	108	22	22	186	121	PLUG-04IFM	PLUG-04IFF
ISO 10	X80FF0606GF	X80FF0606GM	13	3/8"	32	19,8	73,5	69,5	127,3	27	27	298	172	PLUG-04IFM	PLUG-06IFF
ISO 10	X80FF0608GF	X80FF0608GM	13	1/2"	32	19,8	73,5	69	126,8	27	27	286	156	PLUG-06IFM	PLUG-06IFF
ISO 12.5	X80FF0808GF	X80FF0808GM	20	1/2"	38	24,6	83,5	81,5	147,7	36	36	544	351	PLUG-08IFM	PLUG-08IFF
ISO 12.5	X80FF0812GF	X80FF0812GM	20	3/4"	38	24,6	83,5	83	149,2	36	36	510	326	PLUG-08IFM	PLUG-08IFF
ISO 16	X80FF1012GF	X80FF1012GM	22	3/4"	42	27	86	83	151,7	36	36	557	360	***	***
ISO 19	X80FF1212GF	X80FF1212GM	25	3/4"	48	30	95,5	90,5	164,5	41	41	850	496	PLUG-12IFM	PLUG-12IFF
ISO 19	X80FF1216GF	X80FF1216GM	25	1"	48	30	97,5	90,5	166,5	41	41	803	451	PLUG-12IFM	PLUG-12IFF
ISO 25	X80FF1620GF	X80FF1620GM	30	1.1/4"	55	36	109,3	95	181,5	50	50	1164	744	PLUG-16IFM	PLUG-16IFF
ISO 40	X80FF2024GF	X80FF2024GM	39	1.1/2"	79	57	118	122,5	213	70	70	2844	2134	***	***
ISO 50	X80FF2432GF	X80FF2432GM	50	2"	99	72,9	149	139,6	251,2	80	80	4790	3200	***	***



MALE PLUG FOR FEMALE QUICK COUPLING
TAPPO MASCHIO PER INNESTO RAPIDO FEMMINA



FEMALE PLUG FOR MALE QUICK COUPLING
TAPPO FEMMINA PER INNESTO RAPIDO MASCHIO

COLOUR RED/ROSSO



MATERIAL PVC

80FV

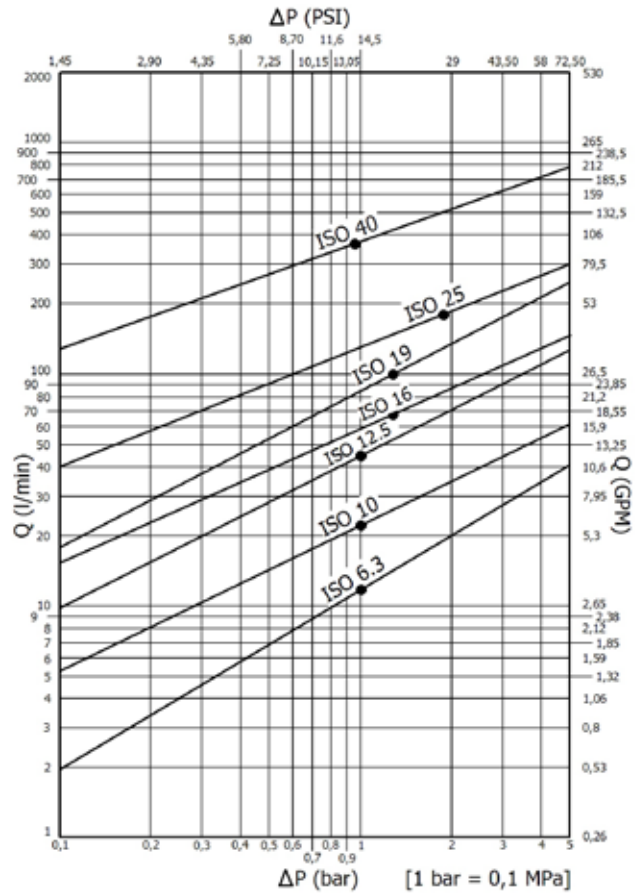
Screw Flat Face quick-release couplings

APPLICATIONS:



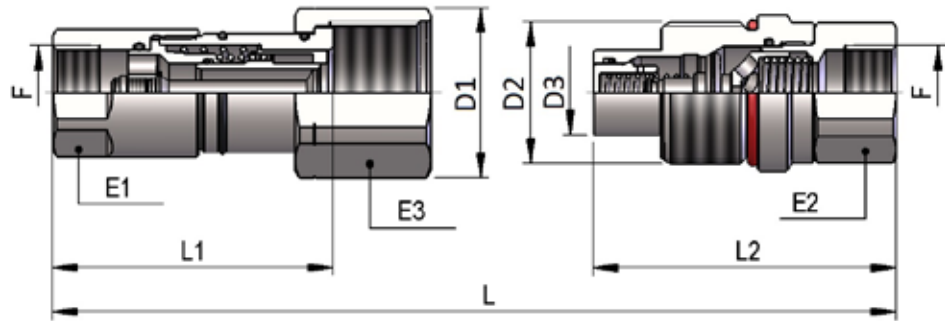
Features:

- Interchangeability: Stucchi VEP.
- Shut-off flat valve system.
- Locking: screw.
- Material: steel.
- Finishing: Zn-Ir (Cr III) and Zn-Ni.
- Thread: BSP-NPT-SAE.
- Standard seals: NBR e PU.
- Operating temperature range: -25°C +100°C.
- Optional seals: FFKM, EPDM o altro.
- Working pressure: 300-450 bar.
- Pressure connection: allowed (male side or female side).
- Maximum residual pressure: 300 bar.



Pressure drop

Technical Data:								
Nominal size		Max working pressure	Rated flow	Max flow rate	Min burst pressure			Fluid spillage
ISO	mm				male	female	coupled	
		MPa	l/min	l/min	MPa	MPa	MPa	cc
ISO 6.3	6	45	12	24	190	180	200	0,008
ISO 10	8,6	35	23	46	130	170	140	0,01
ISO 12.5	10,7		45	90	140	140		0,012
ISO 16	12,8		74	150				0,015
ISO 19	14,8		100	200				0,02
ISO 25	17,6		189	280				0,03
ISO 40	30	30	379	700	120	120	120	0,05



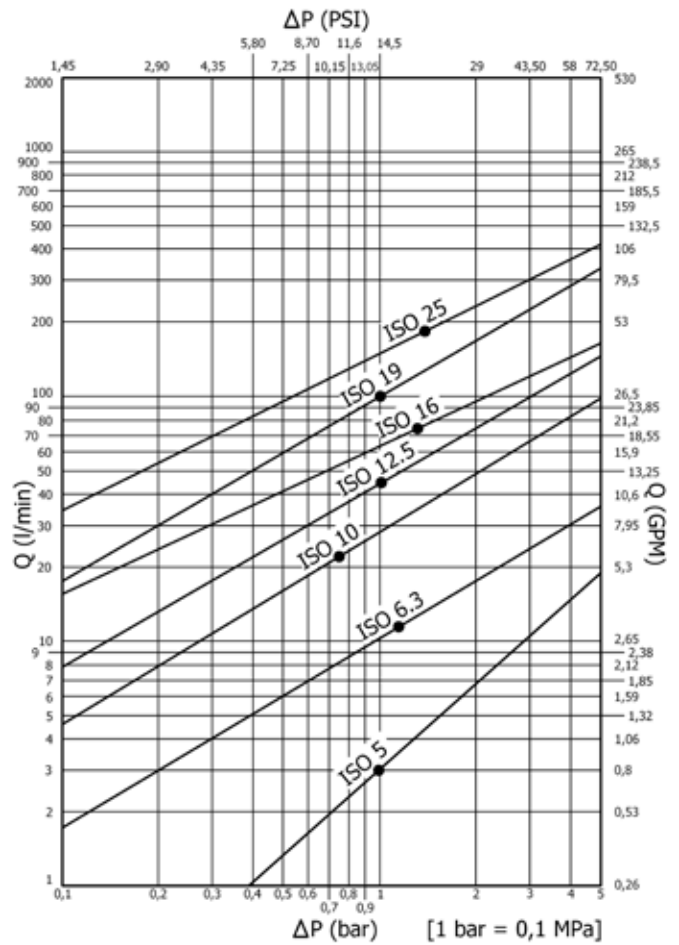
<i>Dimensions:</i>															
Nominal size ISO	Part Number		Size dash	Thread F	F1	Dimensions							Weight		
	Female	Male				D1	D3	L1	L2	L	E1	E2	E3	female	male
ISO 6.3	80FV0404GF	80FV0404GM	6	1/4"	M30X2	39	16,2	59,5	67,5	116,5	22	22	36	268	237
ISO 10	80FV0606GF	80FV0606GM	13	3/8"	M33X2	41,7	19,7	75,1	74	133,4	30	30	38	381	298
ISO 10	80FV0608GF	80FV0608GM	13	1/2"	M33X2	41,7	19,7	75,1	74	133,4	30	30	38	366	284
ISO 12.5	80FV0808GF	80FV0808GM	20	1/2"	M40X3	49,7	24,5	84,8	90,5	158	36	36	46	619	541
ISO 12.5	80FV0812GF	80FV0812GM	20	3/4"	M40X3	49,7	24,5	84,8	90,5	158	36	36	46	586	503
ISO 16	80FV1012GF	80FV1012GM	22	3/4"	M45X3	55	27	87,3	90,5	160,5	36	36	50	706	593
ISO 19	80FV1212GF	80FV1212GM	25	3/4"	M50X3	60	29,9	96	103	177,5	41	46	55	967	980
ISO 19	80FV1216GF	80FV1216GM	25	1"	M50X3	60	29,9	99	107	184,5	41	46	55	938	922
ISO 25	80FV1620GF	80FV1620GM	30	1.1/4"	M58X3	70	36	111	126,5	214,7	55	55	65	1620	1519
ISO 40	80FV2024GF	80FV2024GM	39	1.1/2"	TR 80X4	99,5	56,9	119,5	153,6	246	70	75	90	3256	3750

APPLICATIONS:



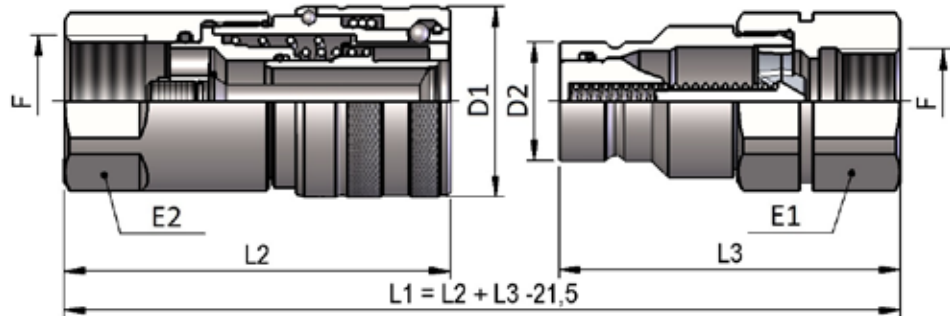
Features:

- Standard: ISO 16028.
- Shut-off flat valve system.
- Locking: radial balls.
- Material: steel.
- Finishing: Zn-Ir (Cr III) and Zn-Ni.
- Thread: BSP-NPT-SAE-METRIC Standard seals: NBR e PU.
- Operating temperature range: -25°C+100°C.
- Optional seals: FFKM, EPDM o altro.
- Working pressure: 350-500 bar.
- Pressure connection: not allowed.



Pressure drop

Technical Data:								
Nominal size		Max working pressure	Rated flow	Max flow rate	Min burst pressure			Fluid spillage
ISO	mm				male	female	coupled	
		MPa	l/min	l/min	MPa	MPa	MPa	cc
ISO 5	4	50	3	9	250	210	250	0,006
ISO 6.3	6	40	12	24	190	190	190	0,008
ISO 10	8,6	35	23	46	150	170	160	0,01
ISO 12.5	10,7		45	90	170	150	170	0,012
ISO 16	12,8		74	150	160	140	150	0,015
ISO 19	14,8		100	200			180	0,02
ISO 25	17,6		189	280	140	150	0,03	



Nominal size ISO	Dimensions:													Plug	
	Part Number		Size	Thread	Dimensions							Weight		male	female
	Female	Male	dash	F	D1	D2	L1	L2	L	E1	E2	female	male		
ISO 5	80FI0202GF	80FI0202GM	4	1/8"	25	13,6	48,6	43,5	84,1	17	17	92	51	***	***
ISO 6.3	80FI0404GF	80FI0404GM	6	1/4"	28	16,2	58,5	52	100	22	22	181	95	PLUG-04IFM	PLUG-04IFF
ISO 10	80FI0606GF	80FI0606GM	13	3/8"	32	19,8	73,5	60,5	118,3	30	30	309	158	PLUG-06IFM	PLUG-06IFF
ISO 10	80FI0608GF	80FI0608GM	13	1/2"	32	19,8	73,5	60,5	118,3	30	30	294	154	PLUG-06IFM	PLUG-06IFF
ISO 12.5	80FI0808GF	80FI0808GM	20	1/2"	38	24,6	83,5	72,5	138,7	36	36	529	301	PLUG-08IFM	PLUG-08IFF
ISO 12.5	80FI0812GF	80FI0812GM	20	3/4"	38	24,6	83,5	74,5	140,7	36	36	498	282	PLUG-08IFM	PLUG-08IFF
ISO 16	80FI1012GF	80FI1012GM	22	3/4"	42	27	86	74,5	143,2	36	36	545	307	***	***
ISO 19	80FI1212GF	80FI1212GM	25	3/4"	48	30	94,5	86	159	41	41	808	478	PLUG-12IFM	PLUG-12IFF
ISO 19	80FI1216GF	80FI1216GM	25	1"	48	30	97,5	86	162	41	41	780	414	PLUG-12IFM	PLUG-12IFF
ISO 25	80FI1616GF	80FI1616GM	30	1"	55	36	109,3	90	176,5	50	50	1236	726	PLUG-16IFM	PLUG-16IFF
ISO 25	80FI1620GF	80FI1620GM	30	1.1/4"	55	36	109,3	90	176,5	55	55	1238	769	PLUG-16IFM	PLUG-16IFF



MALE PLUG FOR FEMALE QUICK COUPLING
TAPPO MASCHIO PER INNESTO RAPIDO FEMMINA



FEMALE PLUG FOR MALE QUICK COUPLING
TAPPO FEMMINA PER INNESTO RAPIDO MASCHIO

COLOUR RED/ROSSO



MATERIAL PVC

80AS

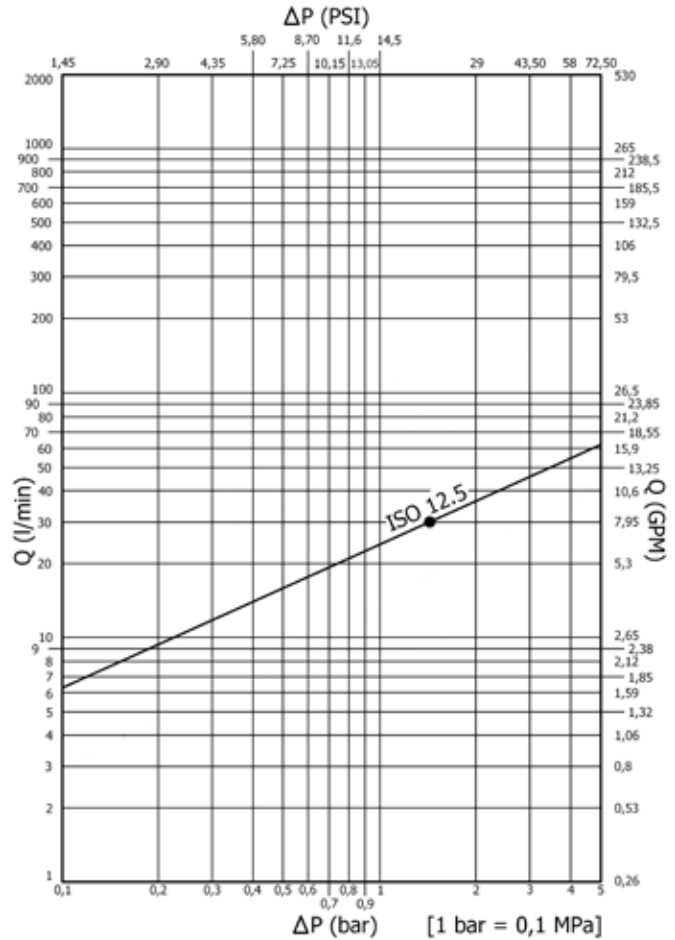
Ball quick-release couplings

APPLICATIONSONI:



Features:

- Interchangeability: with the main producers.
- Shut-off: ball system.
- Locking: radial balls.
- Material: steel.
- Finishing: Zn-Ir (CrIII).
- Thread: BSP-NPT-SAE.
- Standard seals: NBR.
- Operating temperature range: -25°C+100°C.
- Optional seals: FFKM, EPDM o altro.
- Working pressure: 200-300 bar.
- Pressure connection: not allowed.

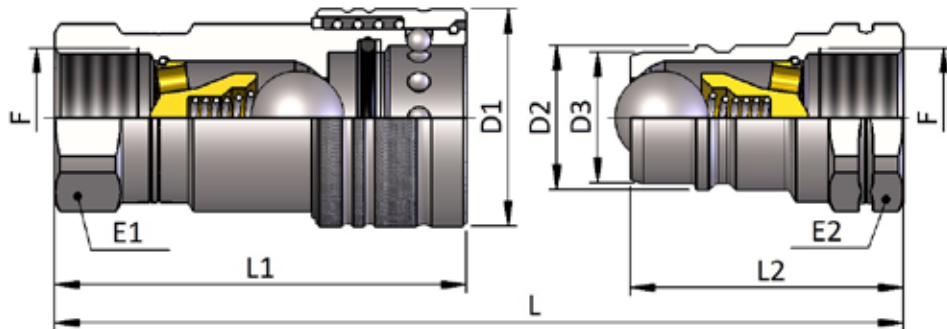


Pressure drop

Technical Data:

Nominal size		Max working pressure	Rated flow	Max flow rate	Min burst pressure			Fluid spillage
ISO	mm				male	female	coupled	
		MPa	l/min	l/min	MPa	MPa	MPa	cc
ISO 12.5	8,9	20	30	55	80	95	130	1,9

80AS



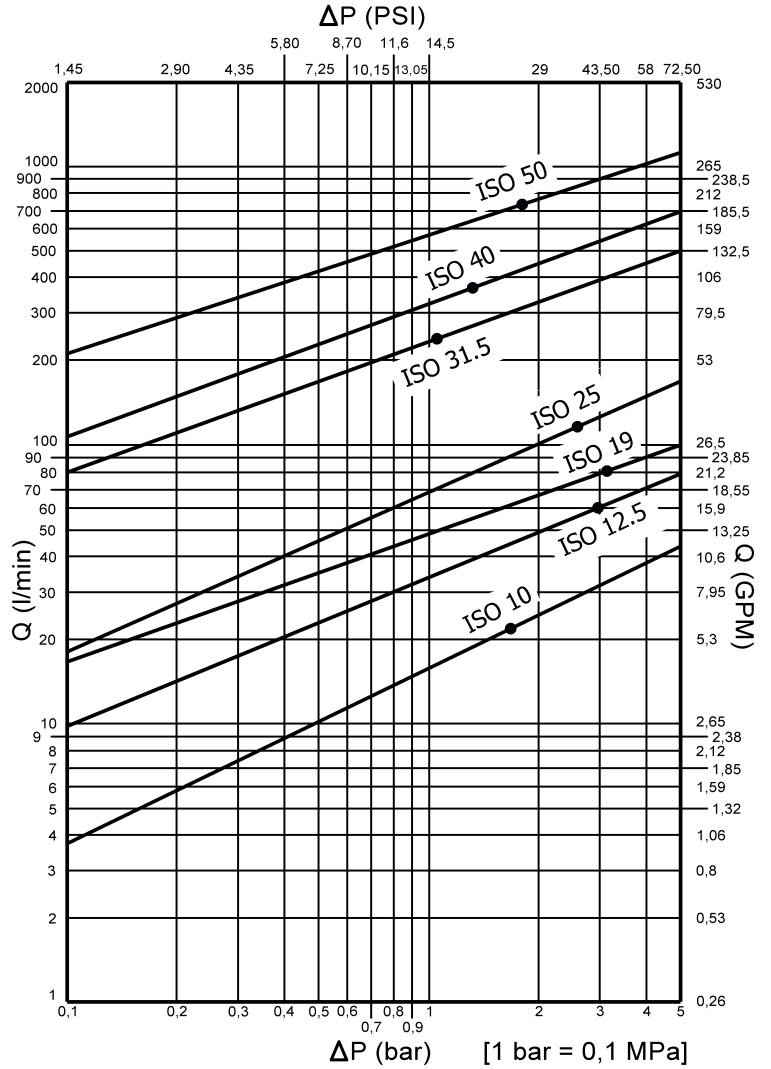
Nominal size ISO	<i>Dimensions:</i>												Plug			
	Part Number		Size	Thread	Dimensions								Weight		male	female
	Female	Male	dash	F	D1	D2	D3	L1	L2	L	E1	E2	female	male		
ISO 12.5	80AS0808GF	80AS0808GM	13	1/2"	38	23,75	20,55	70	48	96,5	27	27	273	101	PLUG-08AM	PLUG-08AF

APPLICATIONS:



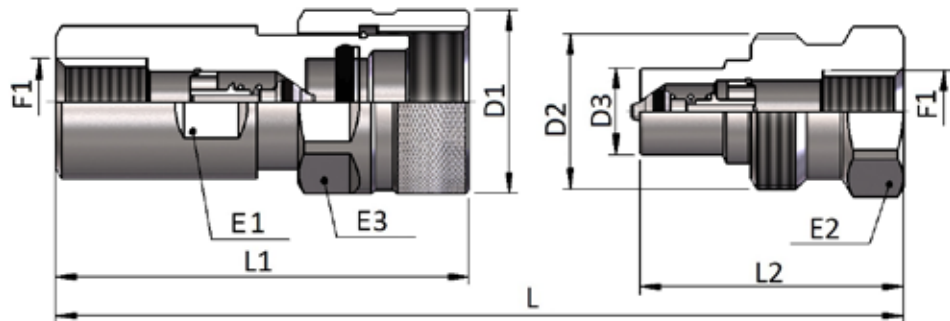
Features:

- Shut-off: valve system.
- Locking: screw.
- Material: steel.
- Finishing: Zn-Ir (Cr III).
- Thread: BSP-NPT.
- Standard seals: NBR.
- Operating temperature range: -25°C+100°C.
- Optional seals: FFKM, EPDM o altro.
- Working pressure: 210-650 bar.
- Pressure connection: allowed (male side or female side).
- Interchangeability: Faster VVS



Technical Data:

Nominal size		Max working pressure	Rated flow	Max flow rate	Min burst pressure			Fluid spillage
ISO	mm				male	female	coupled	
		MPa	l/min	l/min	MPa	MPa	MPa	cc
ISO 10	6.2	65	18	18	300	300	300	1.9
ISO 12.5	9	60	23	23	250	270	220	2.7
ISO 19	11	50	45	45	240	260	210	9.3
ISO 25	13.3	46	106	106	230		200	16
ISO 31.5	22.2	36	189	189	150	150	150	30
ISO 40	24.6		300	300	120		150	54
ISO 50	30	21	757	757	130	130	105	120



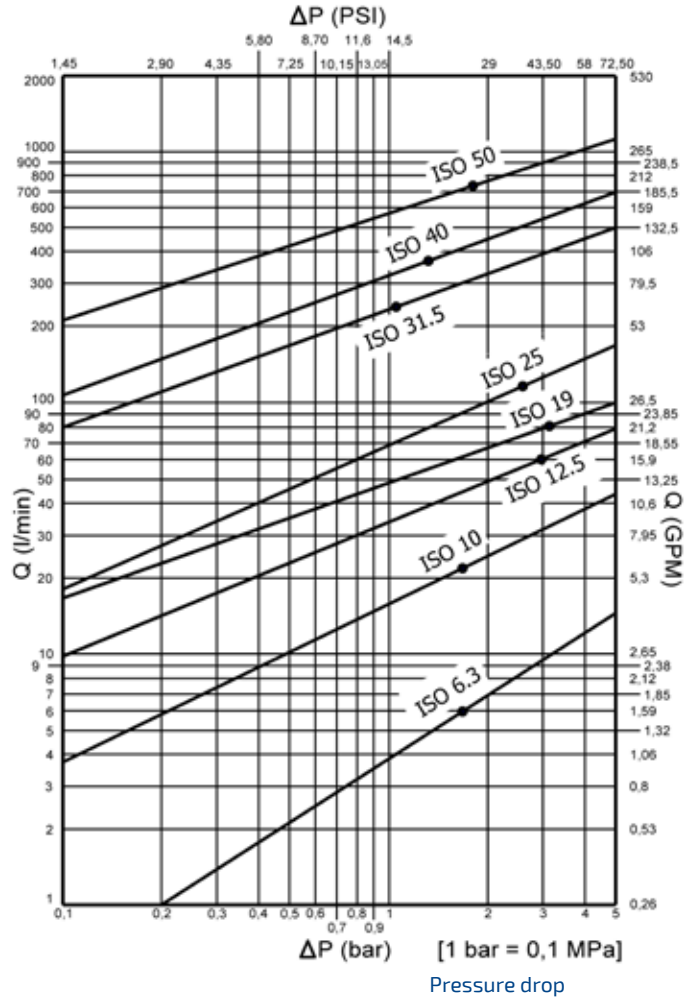
Nominal size ISO	Dimensions:															
	Part Number		Size	Dimensions											Weight	
	Female	Male	dash	F1	D1	D2	D3	L1	L2	L	E1	E2	E3	female	male	
ISO 10	80VS0606GF	80VS0606GM	10	BSP 3/8"	40	1"1/4-8UN	19	76	48	90	27	32	36	344	155	
ISO 10	80VS0606NF	80VS0606NM	10	NPTF 3/8"	40	1"1/4-8UN	19	76	48	90	27	32	36	346	157	
ISO 12.5	80VS0808GF	80VS0808GM	13	BSP 1/2"	45	1"3/8-8UN	20,5	87	53	102	34	34	41	576	177	
ISO 12.5	80VS0808NF	80VS0808NM	13	NPTF 1/2"	45	1"3/8-8UN	20,5	87	53	102	34	34	41	582	180	
ISO 19	80VS1212GF	80VS1212GM	20	BSP 3/4"	55	1"3/4-6UN	27,9	106	63	121	41	46	50	988	364	
ISO 19	80VS1212NF	80VS1212NM	20	NPTF 3/4"	55	1"3/4-6UN	27,9	106	63	121	41	46	50	997	373	
ISO 25	80VS1616GF	80VS1616GM	25	BSP 1"	60	M52X4	31,2	123	72	139	50	50	55	1403	532	
ISO 25	80VS1616NF	80VS1616NM	25	NPTF 1"	60	M52X4	31,2	123	72	139	50	50	55	1481	540	
ISO 31.5	80VS2020GF	80VS2020GM	30	BSP 1"1/4	80	M68X6	44	153	86	167	65	65	75	2870	1050	
ISO 31.5	80VS2020NF	80VS2020NM	30	NPTF 1"1/4	80	M68X6	44	153	86	167	65	65	75	2950	1092	
ISO 40	80VS2424GF	80VS2424GM	39	BSP 1"1/2	98	M78X6	53,4	172	95	187	75	80	90	4440	1700	
ISO 40	80VS2424NF	80VS2424NM	39	NPTF 1"1/2	98	M78X6	53,4	172	95	187	75	80	90	4470	1720	
ISO 50	80VS3232GF	80VS3232GM	50	BSP 2"	129	M115X8	81,8	205	118	227	100	110	125	8670	4930	
ISO 50	80VS3232NF	80VS3232NM	50	NPTF 2"	129	M115X8	81,8	205	118	227	100	110	125	8920	5070	

APPLICATIONS:



Features:

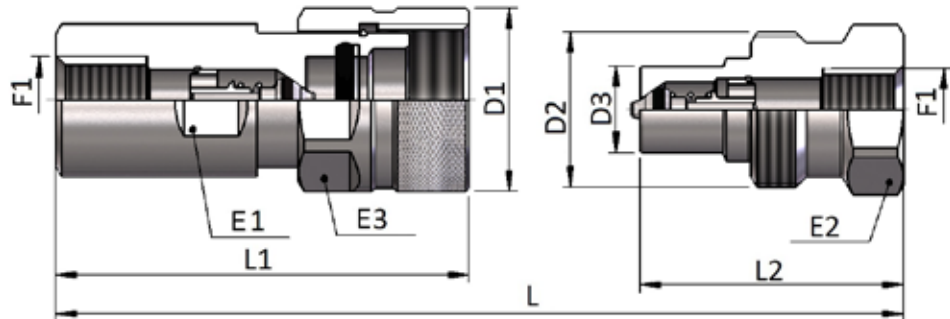
- Shut-off: valve system.
- Locking: screw.
- Material: stainless steel AISI 316.
- Thread: BSP-NPT.
- Standard seals: FKM.
- Operating temperature range: -25°C+200°C.
- Optional seals: FFKM, EPDM o altro.
- Working pressure: 210-900 bar.
- Pressure connection: allowed (male side or female side).
- Interchangeability: Faster VVS.



Technical Data:

Nominal size		Max working pressure	Rated flow	Max flow rate	Min burst pressure			Fluid spillage
ISO	mm				male	female	coupled	
		MPa	l/min	l/min	MPa	MPa	MPa	cc
ISO 6.3	4	90	6	6	370	380	370	0.5
ISO 10	6.2	65	18	18	230	200	260	1.9
ISO 12.5	9	60	23	23	210	270	250	2.7
ISO 19	11	50	45	45		170	240	9.3
ISO 25	13.3	46	106	106	160	190	150	16
ISO 31.5	22.2	36	189	189	100	100	100	30
ISO 40	24.6		300	300	90	90	90	54
ISO 50	30	21	757	757	50	50	50	120

X80VS



Dimensions:															
Nominal size ISO	Part Number		Size dash	F1	D1	D2	D3	Dimensions					Weight		
	Female	Male						L1	L2	L	E1	E2	E3	female	male
ISO 6.3	X80VS0404GF	X80VS0404GM	6	BSP 1/4"	30	1"-12 UNF	14.2	68	43.2	84	22	25	27	197	88
ISO 6.3	X80VS0404NF	X80VS0404NM	6	NPT 1/4"	30	1"-12 UNF	14.2	68	43.2	84	22	25	27	198	89
ISO 10	X80VS0606GF	X80VS0606GM	10	BSP 3/8"	40	1.1/4"-8 UN	19	76	48	90	27	32	36	344	155
ISO 10	X80VS0606NF	X80VS0606NM	10	NPT 3/8"	40	1.1/4"-8 UN	19	76	48	90	27	32	36	346	157
ISO 12.5	X80VS0808GF	X80VS0808GM	13	BSP 1/2"	45	1.3/8"-8 UN	20.5	87	53	102	34	34	41	576	177
ISO 12.5	X80VS0808NF	X80VS0808NM	13	NPT 1/2"	45	1.3/8"-8 UN	20.5	87	53	102	34	34	41	582	180
ISO 19	X80VS1212GF	X80VS1212GM	20	BSP 3/4"	55	1.3/4"-6 UN	27.9	106	63	121	41	46	50	988	364
ISO 19	X80VS1212NF	X80VS1212NM	20	NPT 3/4"	55	1.3/4"-6 UN	27.9	106	63	121	41	46	50	997	373
ISO 25	X80VS1616GF	X80VS1616GM	25	BSP 1"	60	M52X4	31.2	123	72	139	50	50	55	1465	524
ISO 25	X80VS1616NF	X80VS1616NM	25	NPT 1"	60	M52X4	31.2	123	72	139	50	50	55	1481	540
ISO 31.5	X80VS2020GF	X80VS2020GM	30	BSP 1 1/4"	80	M68X6	44	153	85	167	65	65	75	2933	1074
ISO 31.5	X80VS2020NF	X80VS2020NM	30	NPT 1 1/4"	80	M68X6	44	153	85	167	65	65	75	2950	1092
ISO 40	X80VS2424GF	X80VS2424GM	39	BSP 1 1/2"	98	M78X6	53.4	172	95	187	75	80	90	4550	1734
ISO 40	X80VS2424NF	X80VS2424NM	39	NPT 1 1/2"	98	M78X6	53.4	172	95	187	75	80	90	4570	1730
ISO 50	X80VS3232GF	X80VS3232GM	50	BSP 2"	129	M115X8	81.8	205	118	227	100	110	125	8880	5030
ISO 50	X80VS3232NF	X80VS3232NM	50	NPT 2"	129	M115X8	81.8	205	118	227	100	110	125	8920	5070

80HP

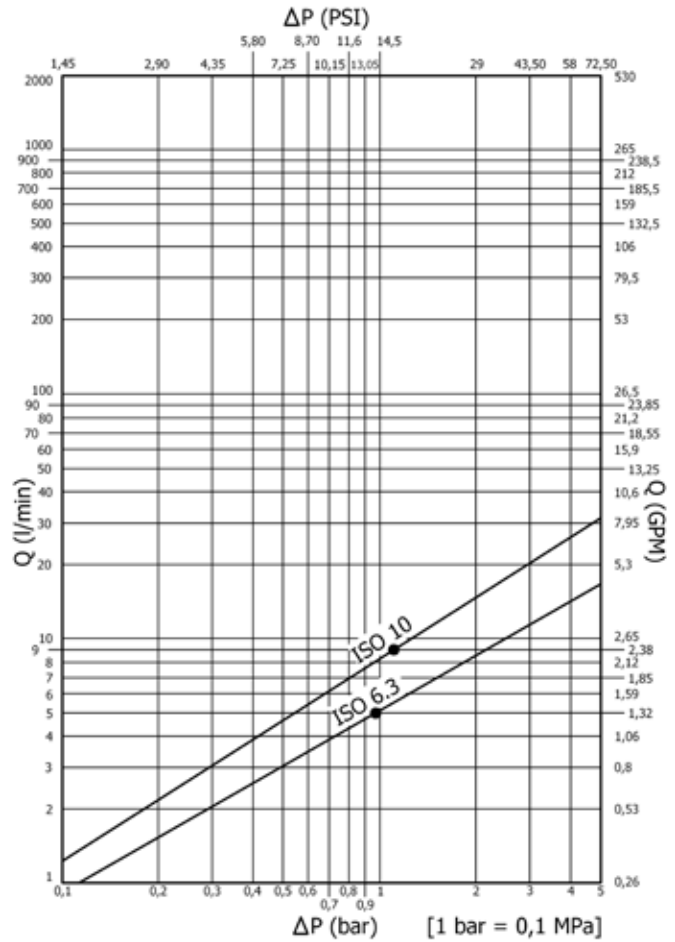
High pressure screw quick-release couplings

APPLICATIONS:



Features:

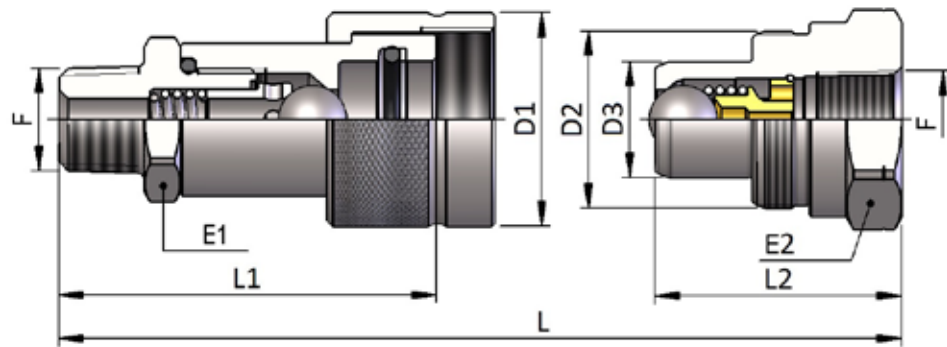
- Standard: ISO 14540.
- Shut-off: ball system.
- Locking: screw.
- Material: steel.
- Finishing: Zn-Ir (Cr III).
- Thread: BSP-NPT.
- Standard seals: NBR.
- Operating temperature range: -25°C +100°C.
- Optional seals: FFKM, EPDM o altro.
- Working pressure: 700 bar.
- Pressure connection: allowed (male side or female side).
- Maximum residual pressure: 100 bar



Pressure drop

Technical Data:

Nominal size		Max working pressure	Rated flow	Max flow rate	Min burst pressure			Fluid spillage
ISO	mm				male	female	coupled	
		MPa	l/min	l/min	MPa	MPa	MPa	cc
ISO 6.3	3.7	70	5	10	150	200	220	0.2
ISO 10	4.8	70	9	20	150	200	220	0.6
ISO 10	4.8	70	9	20	150	200	220	0.6



Dimensions:														
Nominal size ISO	Part Number		Size dash	Thread F	Dimensions								Weight	
	Female	Male			D1	D2	D3	L1	L2	L	E1	E2	female	male
ISO 6.3	80HP0404NF	80HP0404NM	3.7	NPT 1/4"	30	1"-18 UNS	15.9	56	39	83.9	24	30	162	87
ISO 10	80HP0604NF	80HP0604NM	4.8	NPT 3/8"	35	1.3/16"- 16 UN	19	64.5	40.5	89.4	24	32	219	165
ISO 10	80HP0606NF	80HP0606NM	4.8	NPT 3/8"	35	1.3/16" UN	19	66	40.5	90.9	24	32	250	145

80PV

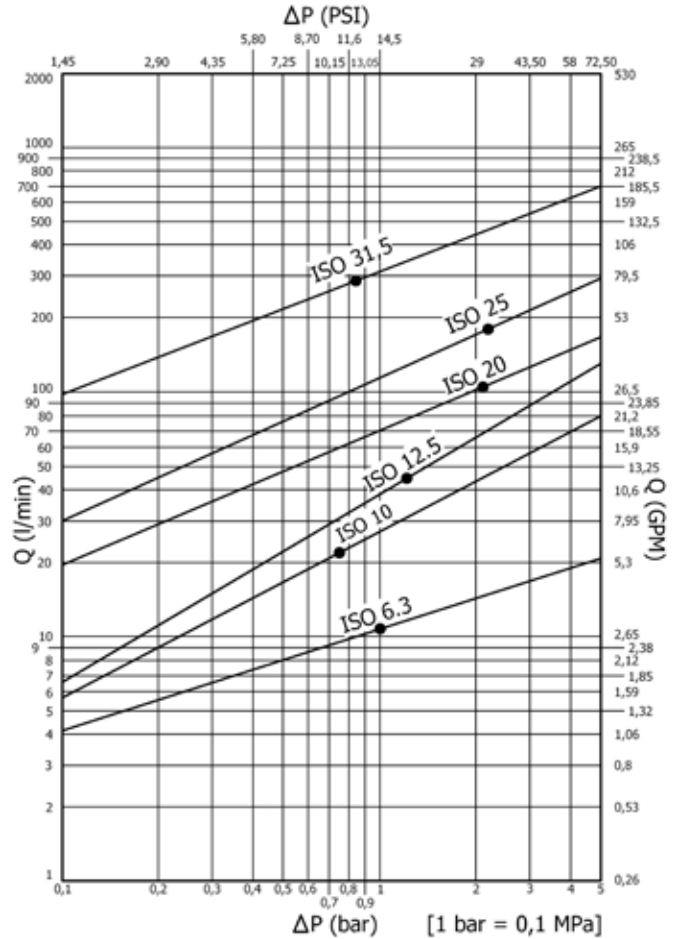
ISO 14541 screw quick-release couplings

APPLICATIONS:



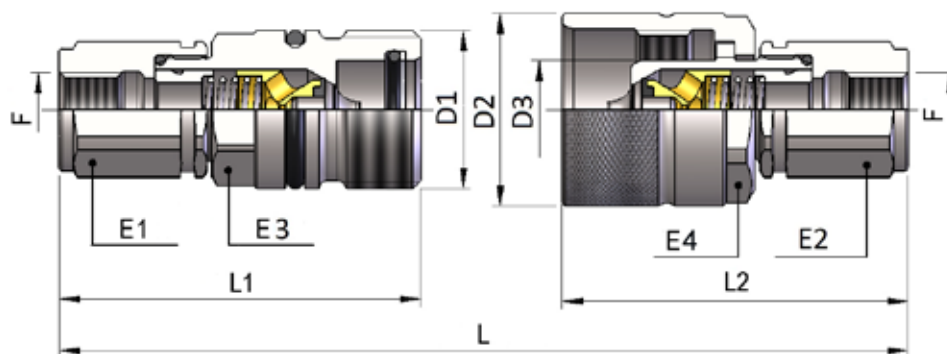
Features:

- Standard: ISO 14541.
- Shut-off: valve system.
- Locking: screw.
- Material: steel.
- Finishing: Zn-Ir (Cr III).
- Thread: BSP-NPT-SAE-METRIC.
- Standard seals: NBR.
- Operating temperature range: -25°C +100°C.
- Optional seals: FFKM, EPDM o altro.
- Working pressure: 300-450 bar.
- Maximum residual pressure: working pressure.
- Pressure connection: allowed (male side or female side).



Pressure drop

Technical Data:								
Nominal size		Max working pressure	Rated flow	Max flow rate	Min burst pressure			Fluid spillage
ISO	mm				male	female	coupled	
		MPa	l/min	l/min	MPa	MPa	MPa	cc
ISO 6.3	5	45	12	17	190	270	250	0,8
ISO 10	8,5	40	23	46	130	150	180	1,9
ISO 12.5 (T)	10,5		45	90	120		140	2,7
ISO 19 (T)	15,7	30	106	190	100	130	140	9,3
ISO 25 (T)	17,3		189	280			16	
ISO 31.5 (T)	29,6		288	480			100	100



Nominal size ISO	Dimensions:															Plug		
	Part Number		Size	Thread	Dimensions										Weight		male	female
	Female	Male	dash	F	D1	D2	D3	L1	L2	L	E1	E2	E3	E4	female	male		
ISO 6.3	80PV0404GF	80PV0404GM	6	1/4"	M24X2	35	12,9	59	58	92	19	19		27	126	177	PLUG-04VM	PLUG-04VF
ISO 10	80PV0606GF	80PV0606GM	10	3/8"	M28X2	34	17,5	64	61,2	98,3	22	22	24	30	157	162	PLUG-06VF	PLUG-06VF
ISO 12.5 (T)	80PV0808GF	80PV0808GM	13	1/2"	M36X2	42	22	67	64,5	103,5	30	30	36	36	312	267	PLUG-08VF	PLUG-08VF
ISO 19 (T)	80PV1212GF	80PV1212GM	20	3/4"	M42X2	47,5	28	85,5	78,5	132,5	36	36	36	41	477	420	PLUG-12VM	PLUG-12VF
ISO 25 (T)	80PV1616GF	80PV1616GM	25	1"	M48X3	55	35	100	87,5	152,5	41	41	50	50	782	641	PLUG-12VM	PLUG-16VF
ISO 31.5 (T)	80PV2020GF	80PV2020GM	30	1.1/4"	M70X3	85	53,9	119,2	114,5	186,5	55	55	70	80	1876	2264	PLUG-20VM	PLUG-20VF



MALE PLUG FOR FEMALE QUICK COUPLING
TAPPO MASCHIO PER INNESTO RAPIDO FEMMINA



FEMALE PLUG FOR MALE QUICK COUPLING
TAPPO FEMMINA PER INNESTO RAPIDO MASCHIO

COLOUR RED



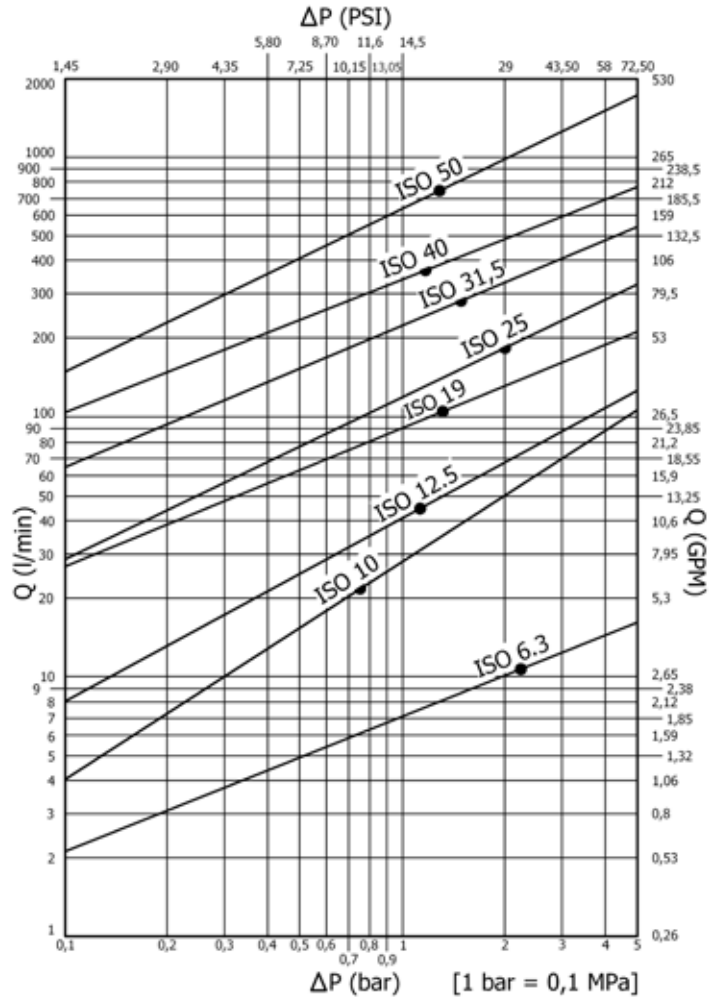
MATERIAL PVC

APPLICATIONS:



Features:

- Standard: ISO 7241-1 A.
- Shut-off: valve system.
- Locking: radial balls.
- Material: steel.
- Finishing: Zn-Ir (Cr III).
- Thread: BSP-NPT-RC-SAE.
- Standard seals: NBR.
- Operating temperature range: -25°C+100°C.
- Optional seals: FFKM, EPDM o altro.
- Working pressure: 160-350 bar.
- Pressure connection: not allowed.

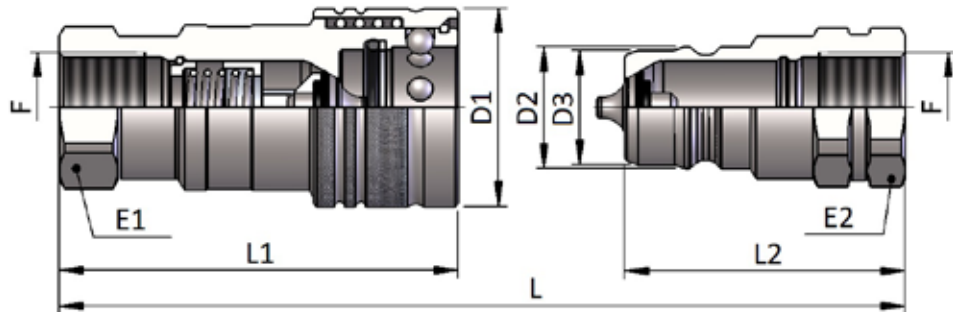


Pressure drop

Technical Data:

Nominal size		Max working pressure	Rated flow	Max flow rate	Min burst pressure			Fluid spillage
ISO	mm				male	female	coupled	
		MPa	l/min	l/min	MPa	MPa	MPa	cc
ISO 6.3	5	35	12	17	150	170	140	0,5
ISO 10	8,5		23	46	140	150	150	1,9
ISO 12.5	10,5	25	45	90	100	140	120	2,7
ISO 19	15,8		106	190	90	150		9,3
ISO 25	17,3	20	189	280	130	100	100	16
ISO 31.5	22,8		288	480	110	85		30
ISO 40	29,9	19	379	757	80	80	82	54
ISO 50	37,7	16	757	1000	65	96	100	120

80AV



Nominal size ISO	Dimensions:														Plug	
	Part Number		Size	Thread	Dimensions								Weight		male	female
	Female	Male	dash	F	D1	D2	D3	L1	L2	L	E1	E2	female	male		
ISO 6.3	80AV0404GF	80AV0404GM	6	1/4"	26	13	11,85	49,2	35	70,5	19	19	106	37	PLUG-04AM	PLUG-04AF
ISO 10	80AV0606GF	80AV0606GM	10	3/8"	30	18,4	17,3	60,5	42,5	85	22	22	155	59	PLUG-06AM	PLUG-06AF
ISO 12.5	80AV0808GF	80AV0808GM	13	1/2"	38	23,75	20,55	70	48	96,5	27	27	268	97	PLUG-08AM	PLUG-08AF
ISO 19	80AV1212GF	80AV1212GM	20	3/4"	45	30,5	29,1	84,3	57	114,5	34	34	428	180	PLUG-12AM	PLUG-12AF
ISO 25	80AV1616GF	80AV1616GM	25	1"	52	36,6	34,35	101	67,5	135,5	41	41	700	304	PLUG-16AM	PLUG-16AF
ISO 31.5	80AV2020GF	80AV2020GM	30	1.1/4"	70	47,8	45	116,9	75	150,6	50	50	1515	559	***	***
ISO 40	80AV2424GF	80AV2424GM	39	1.1/2"	82	57,6	55	133	83,5	167,7	60	60	2445	918	***	***
ISO 50	80AV3232GF	80AV3232GM	50	2"	99	70	65,1	169	108	217	75	75	5000	1804	***	***



MALE PLUG FOR FEMALE QUICK COUPLING
TAPPO MASCHIO PER INNESTO RAPIDO FEMMINA



FEMALE PLUG FOR MALE QUICK COUPLING
TAPPO FEMMINA PER INNESTO RAPIDO MASCHIO



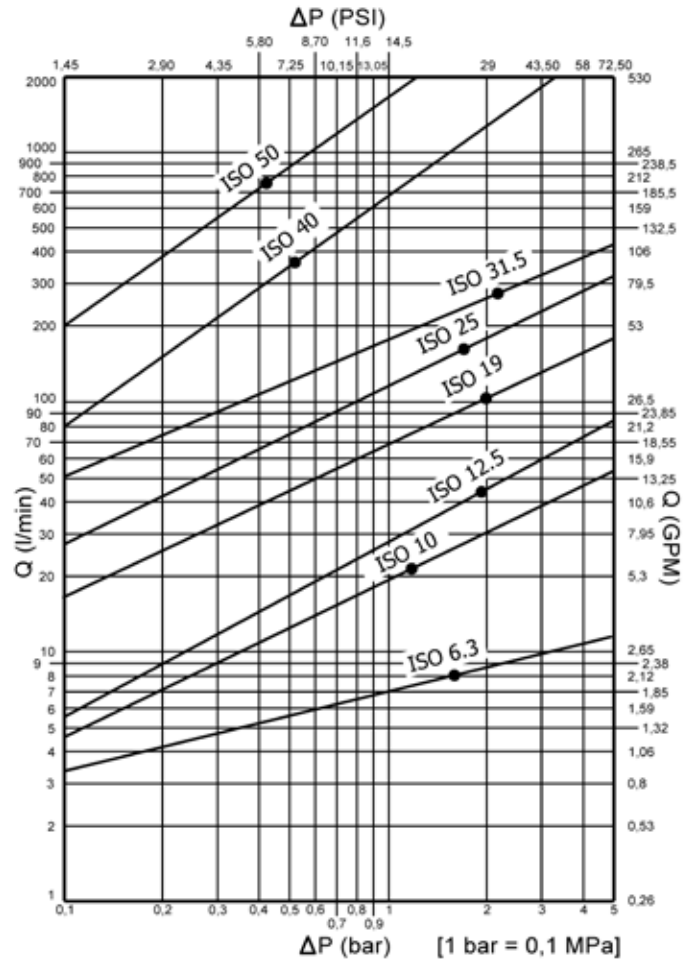
X80AV Quick-release couplings ISO 7241-1 Part A/AISI 316

APPLICATIONS:



Features:

- Standard: ISO 7241-1 A.
- Shut-off: valve system.
- Locking: radial balls.
- Material: stainless steel AISI 316.
- Thread: BSP-NPT.
- Standard seals: FKM.
- Operating temperature range: -25°C+200°C.
- Optional seals: FFKM, EPDM o altro.
- Working pressure: 60-450 bar.
- Pressure connection: not allowed.

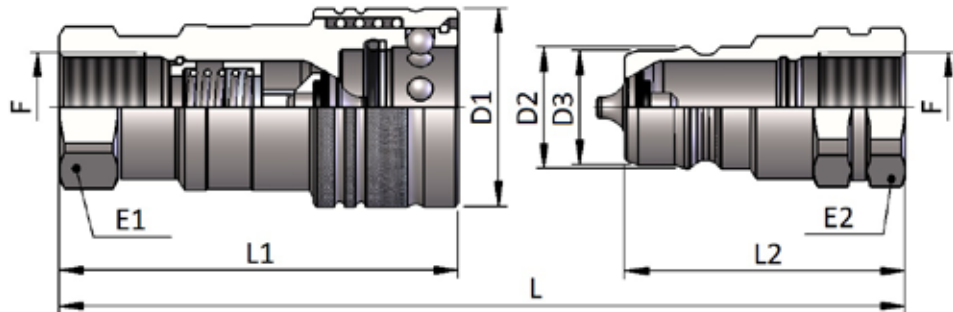


Pressure drop

Technical Data:

Nominal size		Max working pressure	Rated flow	Max flow rate	Min burst pressure			Fluid spillage
ISO	mm				male	female	coupled	
		MPa	l/min	l/min	MPa	MPa	MPa	cc
ISO 6.3	5	45	12	17	320	290	290	0,5
ISO 10	8,5	30	23	46	125	125	130	1,9
ISO 12.5	10,5		45	90	120	120	135	2,7
ISO 19	15,8	25	106	190	80	100	110	9,3
ISO 25	17,3	20	189	280	60	65	85	19
ISO 31.5	22,8	10	288	480	40	40	40	30
ISO 40	29,9	8	379	700	32	32	32	54
ISO 50	37,7	6	757	1000	25	25	25	120

X80AV



Nominal size ISO	Dimensions:												Plug			
	Part Number		Size	Thread	Dimensions								Weight		male	female
	Female	Male	dash	F	D1	D2	D3	L1	L2	L	E1	E2	female	male		
ISO 6.3	X80AV0404GF	X80AV0404GM	6	1/4"	26	13	11,85	50,5	35,5	71,5	19	19	119	38	PLUG-04AM	PLUG-04AF
ISO 10	X80AV0606GF	X80AV0606GM	10	3/8"	30	18,4	17,3	58,5	40,5	82	22	22	157	59	PLUG-06AM	PLUG-06AF
ISO 12.5	X80AV0808GF	X80AV0808GM	13	1/2"	37,9	23,75	20,55	68	46	92	27	27	295	97	PLUG-08AM	PLUG-08AF
ISO 19	X80AV1212GF	X80AV1212GM	20	3/4"	45	30,5	29,1	84,3	57	120,5	34	34	510	165	PLUG-12AM	PLUG-12AF
ISO 25	X80AV1616GF	X80AV1616GM	25	1"	52	36,6	34,35	97	63,5	127	41	41	636	285	PLUG-16AM	PLUG-16AF
ISO 31.5	X80AV2020GF	X80AV2020GM	30	1.1/4"	70	47,8	45	115	69	150	50	50	1470	480	***	***
ISO 40	X80AV2424GF	X80AV2424GM	39	1.1/2"	80,5	57,6	55	123	73	146	60	60	1980	738	***	***
ISO 50	X80AV3232GF	X80AV3232GM	50	2"	102	70	65,1	147	90	180	70	70	3490	1168	***	***



MALE PLUG FOR FEMALE QUICK COUPLING
TAPPO MASCHIO PER INNESTO RAPIDO FEMMINA



FEMALE PLUG FOR MALE QUICK COUPLING
TAPPO FEMMINA PER INNESTO RAPIDO MASCHIO

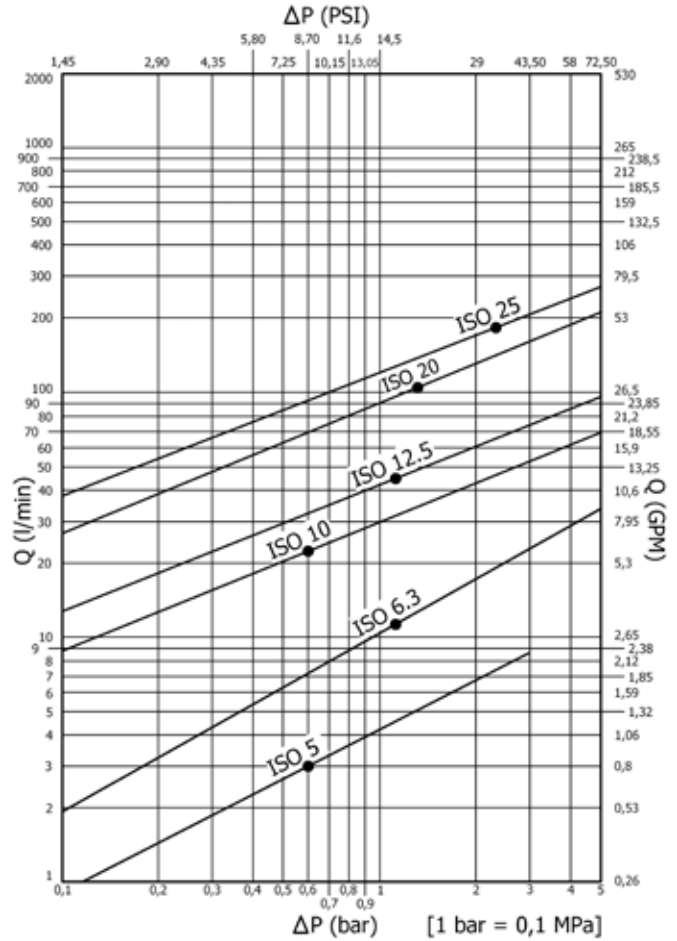


APPLICATIONS:



Features:

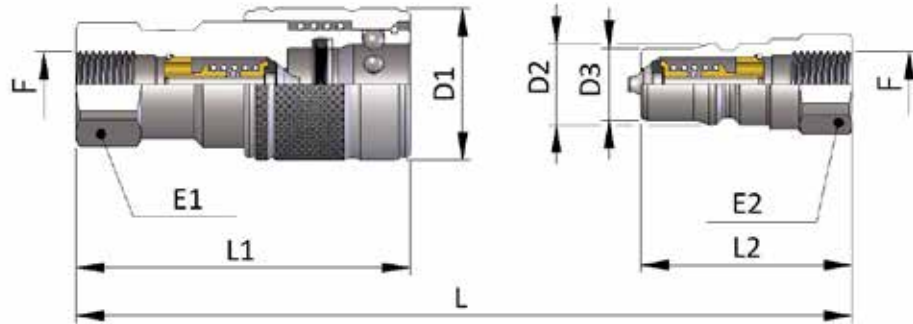
- Standard: ISO 7241-1 B.
- Shut-off: valve system.
- Locking: radial balls.
- Material: steel.
- Finishing: Zn-Ir (Cr III).
- Thread: BSP-NPT.
- Standard seals: NBR.
- Operating temperature range: -25°C+100°C.
- Optional seals: FFKM, EPDM o altro.
- Working pressure: 100-500 bar.
- Pressure connection: not allowed.



Pressure drop

Technical Data:									
Nominal size		Max working pressure	Rated flow	Max flow rate	Min burst pressure			Fluid spillage	
ISO	mm				male	female	coupled		
		MPa	l/min	l/min	MPa	MPa	MPa	cc	
ISO 5	4,2	50	3	9	240	230	270	0,5	
ISO 6.3	6,5	25	12	24	110	180	100	1	
ISO 10	8,5		23	46	140	140	130	2,4	
ISO 12.5	10,5		45	90	110		110	3,9	
ISO 20	15,8		106	220	100		130	120	11
ISO 25	17,3		189	260			110	100	19

80BV



Nominal size ISO	Dimensions:														Plug	
	Part Number		Size	Thread	Dimensions								Weight		male	female
	Female	Male	dash	F	D1	D2	D3	L1	L2	L	E1	E2	female	male		
ISO 5	80BV0202GF	80BV0202GM	4	1/8"	23	12,19	10,9	50,6	32	64,1	17	14	89	20	***	***
ISO 6.3	80BV0404GF	80BV0404GM	6	1/4"	28	15,6	14,2	60	38	76,5	19	19	123	39	PLUG-04BM	PLUG-04BF
ISO 10	80BV0606GF	80BV0606GM	10	3/8"	35	19,9	19,1	67,2	42,5	86	22	22	194	61	PLUG-06BM	PLUG-06BF
ISO 12.5	80BV0808GF	80BV0808GM	13	1/2"	44	25,6	23,55	75,7	48	96,5	27	27	346	112	PLUG-08BM	PLUG-08BF
ISO 20	80BV1212GF	80BV1212GM	20	3/4"	52	32,75	31,45	91,5	57	114,5	34	34	548	202	PLUG-12BM	PLUG-12BF
ISO 25	80BV1616GF	80BV1616GM	25	1"	60	40,56	37,77	105,8	65,5	132	41	41	860	355	PLUG-16BM	PLUG-16BF



MALE PLUG FOR FEMALE QUICK COUPLING
TAPPO MASCHIO PER INNESTO RAPIDO FEMMINA



FEMALE PLUG FOR MALE QUICK COUPLING
TAPPO FEMMINA PER INNESTO RAPIDO MASCHIO

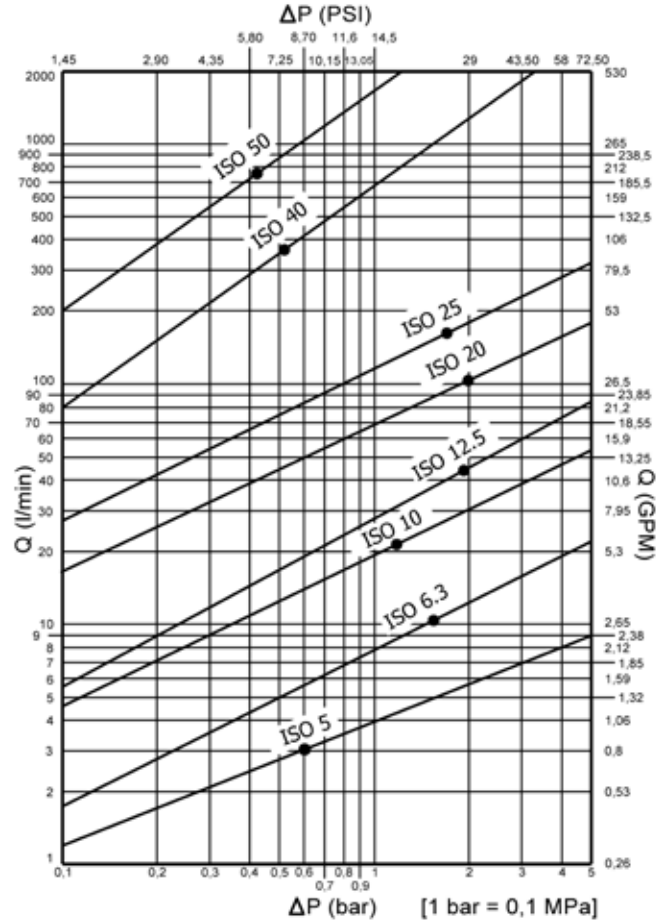
X80BV Quick-release couplings ISO 7241-1 Part B/AISI 316

APPLICATIONS:



Features:

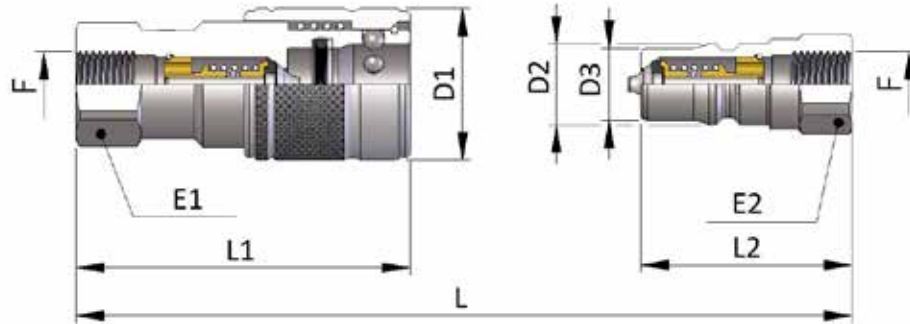
- Standard: ISO 7241-1 B.
- Shut-off: valve system.
- Locking: radial balls.
- Material: stainless steel AISI 316.
- Thread: BSP-NPT.
- Standard seals: FKM.
- Optional seals: FFKM, EPDM o altro.
- Operating temperature range: -25°C+200°C.
- Working pressure: 60-400 bar.
- Pressure connection: not allowed.



Pressure drop

Technical Data:								
Nominal size		Max working pressure	Rated flow	Max flow rate	Min burst pressure			Fluid spillage
ISO	mm				male	female	coupled	
		MPa	l/min	l/min	MPa	MPa	MPa	cc
ISO 5	4,2	40	3	9	210	200	140	0,5
ISO 6.3	6,5	35	12	24	170	150	160	1
ISO 10	8,5	30	23	46	110	110	210	2,4
ISO 12.5	10,5		45	90	150	140	150	3,9
ISO 20	15,8	22	106	220	100	90	100	11
ISO 25	17,3	20	189	260	60	65	85	19

X80BV



Nominal size ISO	Dimensions:													Plug		
	Part Number		Size	Thread	Dimensions								Weight		male	female
	Female	Male	dash	F	D1	D2	D3	L1	L2	L	E1	E2	female	male		
ISO 5	X80BV0202GF	X80BV0202GM	4	1/8"	23	12,2	10,9	50,6	32	64,1	17	14	78	19	***	***
ISO 6.3	X80BV0404GF	X80BV0404GM	6	1/4"	28	15,5	14,2	60	38	76,5	19	19	130	40	PLUG-04BM	PLUG-04BF
ISO 10	X80BV0606GF	X80BV0606GM	10	3/8"	35	19,9	19,1	65,2	40,5	81,5	22	22	197	60	PLUG-06BM	PLUG-06BF
ISO 12.5	X80BV0808GF	X80BV0808GM	13	1/2"	44	25,6	23,55	73,7	46	92,5	27	27	346	107	PLUG-08BM	PLUG-08BF
ISO 20	X80BV1212GF	X80BV1212GM	20	3/4"	51,8	32,75	31,45	91,5	57	114,5	34	34	560	210	PLUG-12BM	PLUG-12BF
ISO 25	X80BV1616GF	X80BV1616GM	25	1"	60	40,3	37,8	103,8	63,5	128	41	41	908	342	PLUG-16BM	PLUG-16BF



MALE PLUG FOR FEMALE QUICK COUPLING
TAPPO MASCHIO PER INNESTO RAPIDO FEMMINA



FEMALE PLUG FOR MALE QUICK COUPLING
TAPPO FEMMINA PER INNESTO RAPIDO MASCHIO

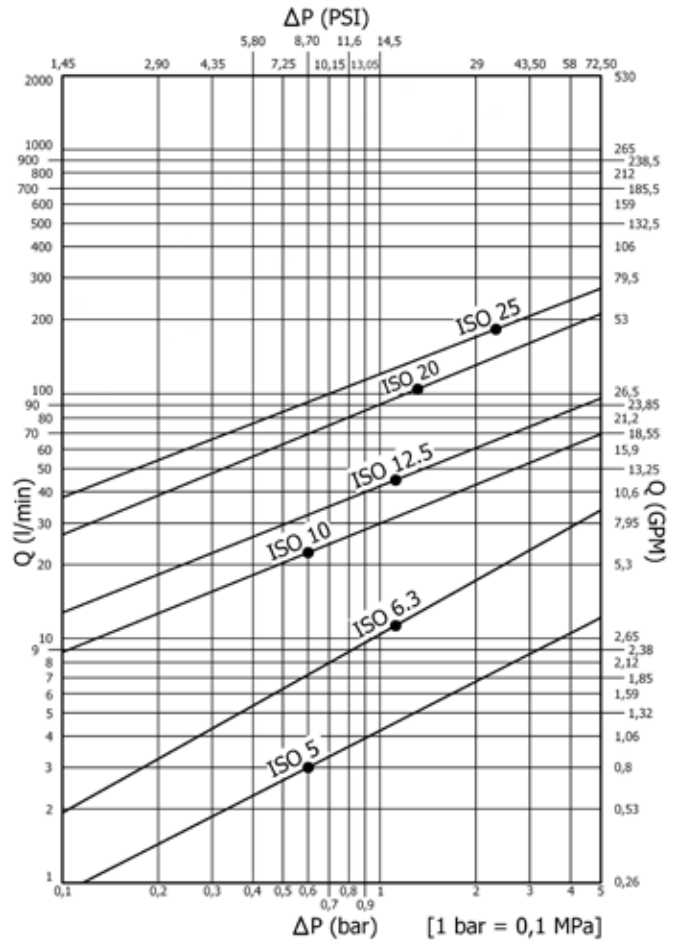
O80BV Quick-release couplings ISO 7241-1 Part B/Brass

APPLICATIONS:



Features:

- Standard: ISO 7241-1 B.
- Shut-off: valve system.
- Locking: radial balls.
- Material: brass.
- Finishing: nickel-plating on request.
- Thread: BSP-NPT.
- Standard seals: FKM.
- Operating temperature range: -25°C+200°C.
- Optional seals: FFKM, EPDM o altro.
- Working pressure: 50-300 bar.
- Pressure connection: not allowed.

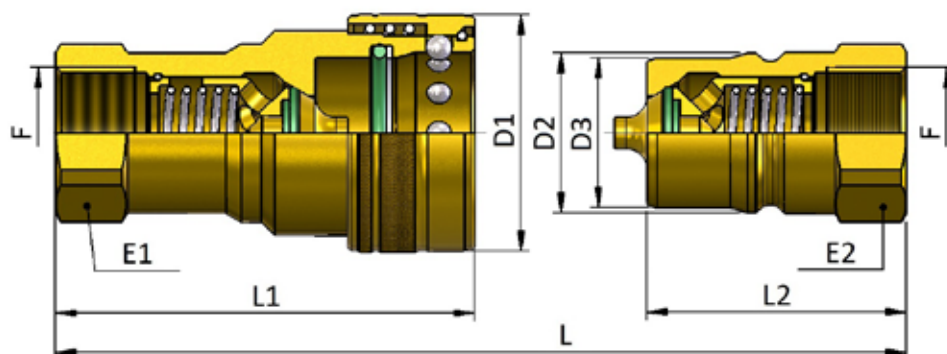


Pressure drop

Technical Data:

Nominal size		Max working pressure	Rated flow	Max flow rate	Min burst pressure			Fluid spillage
ISO	mm				male	female	coupled	
		MPa	l/min	l/min	MPa	MPa	MPa	cc
ISO 5	4,2	30	3	9	120	190	150	0,5
ISO 6.3	6,5	20	12	24	80	80	120	1
ISO 10	8,5		23	46		85	95	2,4
ISO 12.5	10,5	18	45	90	72	90	100	3,9
ISO 20	15,8	13	106	220	55	65	80	11
ISO 25	17,3		189	260		70	60	19

O80BV



Nominal size ISO	Dimensions:														Plug	
	Part Number		Size	Thread	Dimensions								Weight		male	female
	Female	Male	dash	F	D1	D2	D3	L1	L2	L	E1	E2	female	male		
ISO 5	O80BV0202GF	O80BV0202GM	4	1/8"	23	12,2	10,9	50,6	32	64,1	17	14	96	22	***	***
ISO 6.3	O80BV0404GF	O80BV0404GM	6	1/4"	28	15,5	14,2	60	38	76,5	19	19	133	43	PLUG-04BM	PLUG-04BF
ISO 10	O80BV0606GF	O80BV0606GM	10	3/8"	35	19,9	19,1	67,2	42,5	81,5	22	22	213	69	PLUG-06BM	PLUG-06BF
ISO 12.5	O80BV0808GF	O80BV0808GM	13	1/2"	44	25,6	23,55	75,7	48	96,5	27	27	396	124	PLUG-08BM	PLUG-08BF
ISO 20	O80BV1212GF	O80BV1212GM	20	3/4"	52	32,75	31,45	91,5	57	114,5	34	34	597	226	PLUG-12BM	PLUG-12BF
ISO 25	O80BV1616GF	O80BV1616GM	25	1"	60	40,3	37,8	105,8	65,5	132	41	41	938	392	PLUG-16BM	PLUG-16BF



MALE PLUG FOR FEMALE QUICK COUPLING
TAPPO MASCHIO PER INNESTO RAPIDO FEMMINA



FEMALE PLUG FOR MALE QUICK COUPLING
TAPPO FEMMINA PER INNESTO RAPIDO MASCHIO

80A1

Free flow quick-release couplings ISO A

APPLICATIONS:



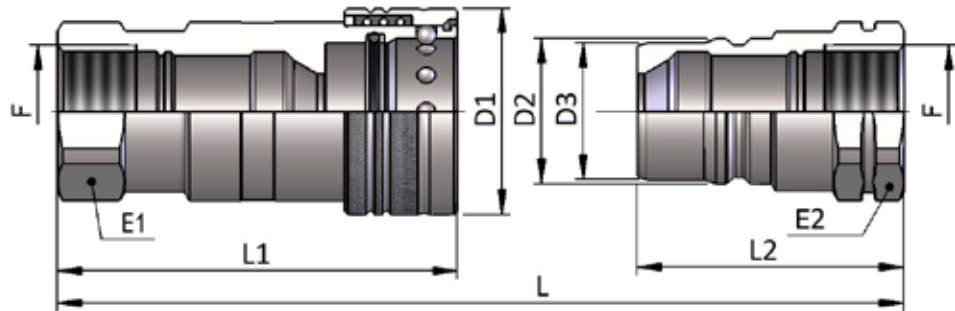
Features:

- Standard: ISO 7241-1 A.
- Occlusion: free flow.
- Locking: radial balls.
- Material: steel.
- Finishing: Zn-Ir.
- Thread: BSP-NPT-RC.
- Standard seals: NBR.
- Operating temperature range: -25°C +100°C.
- Optional seals: FFKM, EPDM o altro.
- Working pressure: 250-350 bar.

Technical Data:

Nominal size		Max working pressure	Rated flow	Max flow rate	Min burst pressure			Fluid spillage
ISO	mm				male	female	coupled	
		MPa	l/min	l/min	MPa	MPa	MPa	cc
ISO 6.3	5,5	35	12	24	-	-	140	-
ISO 10	9		23	46			150	
ISO 12.5	11,5	30	45	90			120	
ISO 19	16,5	25	106	220			100	
ISO 25	19		189	380				
ISO 31.5	24,5		288	580				

80A1



Nominal size ISO	Dimensions:														Plug	
	Part Number		Size	Thread	Dimensions								Weight		male	female
	Female	Male	dash	F	D1	D2	D3	L1	L2	L	E1	E2	female	male		
ISO 6.3	80A10404GF	80A10404GM	6	1/4"	26	13	11,85	49,2	35	70,5	19	19	102	33	PLUG-04AM	PLUG-04AF
ISO 10	80A10606GF	80A10606GM	10	3/8"	30	18,4	17,3	60,5	42,5	85	22	22	146	50	PLUG-06AM	PLUG-06AF
ISO 12.5	80A10808GF	80A10808GM	13	1/2"	38	23,75	20,55	70	48	96,5	27	27	250	80	PLUG-08AM	PLUG-08AF
ISO 19	80A11212GF	80A11212GM	20	3/4"	45	30,5	29,1	84,3	57	114,5	34	34	396	149	PLUG-12AM	PLUG-12AF
ISO 25	80A11616GF	80A11616GM	25	1"	52	36,6	34,35	101	67,5	135,5	41	41	640	243	PLUG-16AM	PLUG-16AF
ISO 31.5	80A12020GF	80A12020GM	30	1.1/4"	70	47,8	45	116,9	75	150,6	50	50	1381	425	***	***



MALE PLUG FOR FEMALE QUICK COUPLING
TAPPO MASCHIO PER INNESTO RAPIDO FEMMINA



FEMALE PLUG FOR MALE QUICK COUPLING
TAPPO FEMMINA PER INNESTO RAPIDO MASCHIO



85A1

Free flow quick-release couplings ISO A

APPLICATIONS:



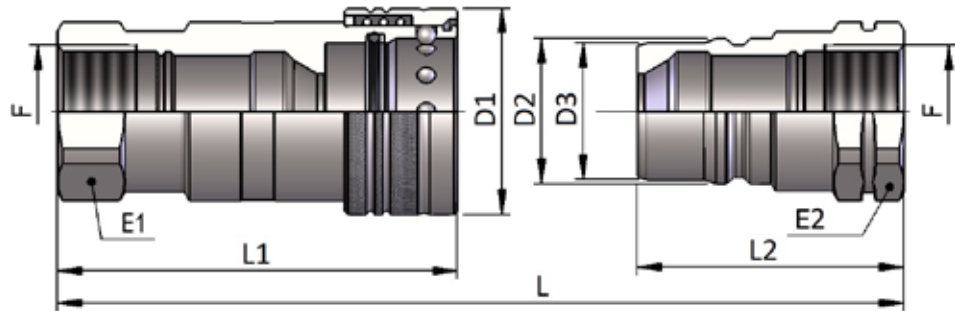
Features:

- Standard seals: FKM.
- Finishing: chromium plating.
- Thread: BSP-NPT-RC.
- Operating temperature range: -25°C +200°C.
- Working pressure: 250-350 bar.
- Occlusion: free flow.
- Standard: ISO 7241-1 A.
- Material: steel.
- Locking: radial balls.
- Optional seals: FFKM, EPDM o altro.

Technical Data:

Nominal size		Max working pressure	Rated flow	Max flow rate	Min burst pressure			Fluid spillage
ISO	mm				male	female	coupled	
		MPa	l/min	l/min	MPa	MPa	MPa	cc
ISO 10	13	35	45	90	-	-	150	-
ISO 12.5	11,5	30	45	90			120	
ISO 19	16,5	25	106	220			100	
ISO 25	19		189	380				

85A1



<i>Dimensions:</i>														
Nominal size ISO	Part Number		Size	Thread	Dimensions								Weight	
	Female	Male	dash	F	D1	D2	D3	L1	L2	L	E1	E2	female	male
ISO 10	85A10608GFC	80A10808GMC	13	1/2"	38	23,75	20,55	70	48	96,5	27	27	246	76
ISO 12.5	85A10808GFC	80A10808GMC	13	1/2"	38	23,75	20,55	70	48	96,5	27	27	246	76
ISO 19	85A11212GFC	80A11212GMC	20	3/4"	45	30,5	29,1	84,3	57	114,5	34	34	392	145
ISO 25	85A11616GFC	80A11616GMC	25	1"	52	36,6	34,35	101	67,5	135,5	41	41	631	234

80PP

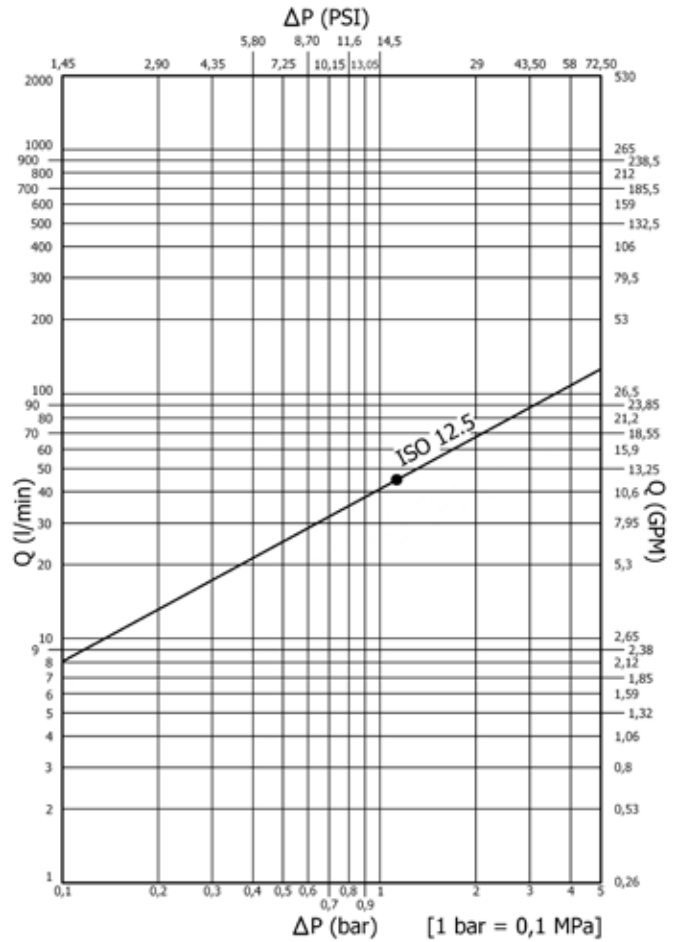
Push-Pull quick-release couplings

APPLICATIONS:



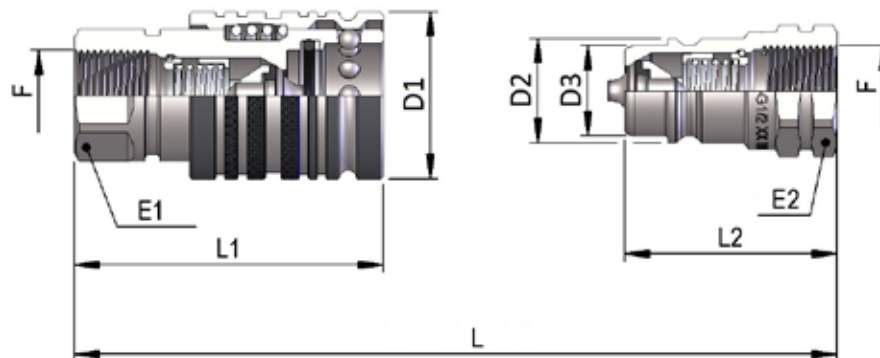
Features:

- Standard: ISO 7241-1 A.
- Shut-off: valve system.
- Locking: radial balls.
- Material: steel.
- Finishing: Zn-Ir (Cr III).
- Thread: BSP-NPT-SAE-METRIC.
- Standard seals: NBR.
- Operating temperature range: -25°C +100°C.
- Optional seals: FFKM, EPDM o altro.
- Working pressure: 250 bar.
- Pressure connection: not allowed.
- Seal: double action.



Pressure drop

Technical Data:								
Nominal size		Max working pressure	Rated flow	Max flow rate	Min burst pressure			Fluid spillage
ISO	mm				male	female	coupled	
		MPa	l/min	l/min	MPa	MPa	MPa	cc
ISO 12.5	10,5	25	45	90	100	160	120	2,7



Nominal size ISO	Dimensions:													Plug		
	Part Number		Size	Thread	Dimensions							Weight		male	female	
	Female	Male	dash	F	D1	D2	D3	L1	L2	L	E1	E2	female	male		
ISO 12.5	80PP0808GF	80AV0808GM	13	1/2"	38	23,75	20,55	70	48	96,5	27	27	298	97	PLUG-08AM	PLUG-08AF



MALE PLUG FOR FEMALE QUICK COUPLING
TAPPO MASCHIO PER INNESTO RAPIDO FEMMINA



FEMALE PLUG FOR MALE QUICK COUPLING
TAPPO FEMMINA PER INNESTO RAPIDO MASCHIO



80PS

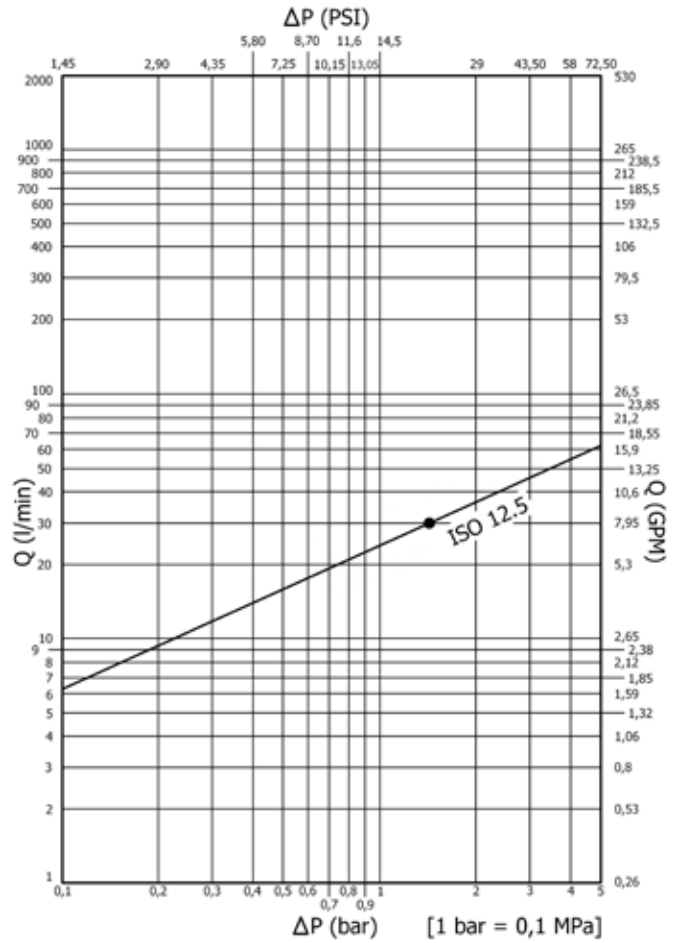
Ball push pull quick-release couplings

APPLICATIONS:



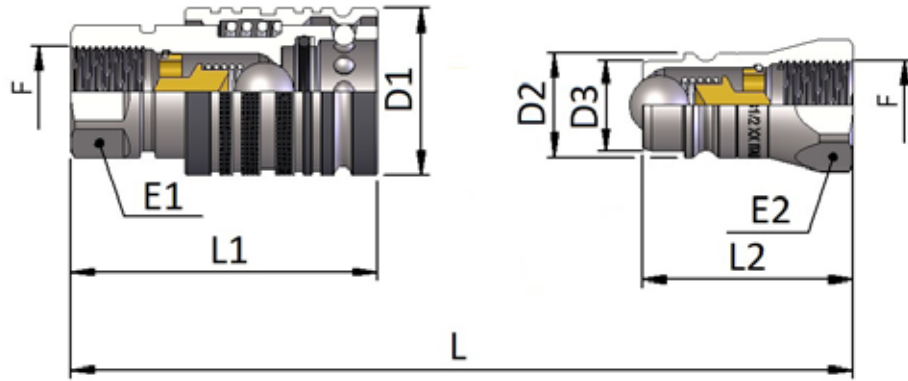
Features:

- Standard: ISO 7241-1 A.
- Shut-off: ball system.
- Locking: radial balls.
- Material: steel.
- Finishing: Zn-Ir (Cr III).
- Thread: BSP-NPT-SAE.
- Standard seals: NBR.
- Operating temperature range: -25°C +100°C.
- Optional seals: FFKM, EPDM o altro.
- Working pressure: 200 bar.
- Pressure connection: not allowed.
- Seal: double action.



Pressure drop

Technical Data:								
Nominal size		Max working pressure	Rated flow	Max flow rate	Min burst pressure			Fluid spillage
ISO	mm				male	female	coupled	
		MPa	l/min	l/min	MPa	MPa	MPa	cc
ISO 12.5	8,9	20	30	55	80	96	130	1,9



Nominal size ISO	Dimensions:														Plug	
	Part Number		Size	Thread	Dimensions								Weight		male	female
	Female	Male	dash	F	D1	D2	D3	L1	L2	L	E1	E2	female	male		
ISO 12.5	80PS0808GF	80AS0808GM	13	1/2"	38	23,75	20,55	70	48	96,3	27	27	305	101	PLUG-08AM	PLUG-08AF



MALE PLUG FOR FEMALE QUICK COUPLING
TAPPO MASCHIO PER INNESTO RAPIDO FEMMINA



FEMALE PLUG FOR MALE QUICK COUPLING
TAPPO FEMMINA PER INNESTO RAPIDO MASCHIO



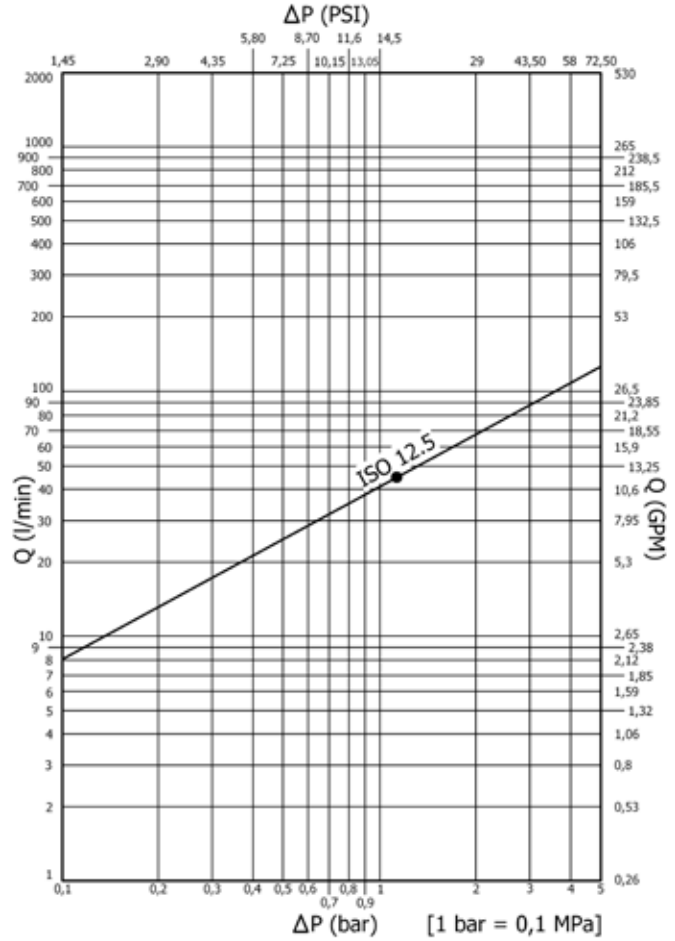
80PD Push-Pull quick-release couplings DIN 2353 L/S

APPLICATIONS:



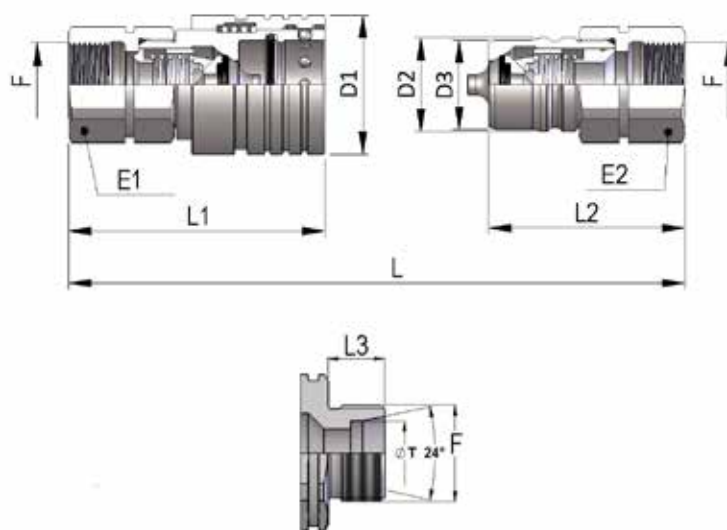
Features:

- Standard: ISO 7241-1 A.
- Shut-off: valve system.
- Locking: radial balls.
- Material: steel.
- Finishing: Zn-Ir (Cr III).
- Thread: BSP-NPT-SAE-METRIC.
- Standard seals : NBR.
- Operating temperature range: -25°C +100°C.
- Optional seals: FFKM, EPDM o altro.
- Working pressure: 225-350 bar.
- Pressure connection: not allowed.
- Seal: double action.



Technical Data:								
Nominal size		Max working pressure	Rated flow	Max flow rate	Min burst pressure			Fluid spillage
ISO	mm				male	female	coupled	
		MPa	l/min	l/min	MPa	MPa	MPa	cc
ISO 12.5	10,5	25	45	90	95	160	110	2,7

80PD



Nominal size ISO	Dimensions:																Plug	
	Part Number		Size	Thread	T	Dimensions								Weight		male	female	
	Female	Male	dash	F	mm	D1	D2	D3	L1	L2	L3	L	E1	E2	female	male		
ISO 12.5	80PD0814LF2	80PD0814LM2	13	M14x1,5	08L	38	23,75	20,55	69	56	10	103,3	30	30	292	134	PLUG-08AM	PLUG-08AF
ISO 12.5	80PD0816LF2	80PD0816LM2	13	M16x1,5	10L	38	23,75	20,55	70	57	11	105,3	30	30	293	135	PLUG-08AM	PLUG-08AF
ISO 12.5	80PD0818LF2	80PD0818LM2	13	M18x1,5	12L	38	23,75	20,55	70	57	11	105,3	30	30	294	136	PLUG-08AM	PLUG-08AF
ISO 12.5	80PD0818SF2	80PD0818SM2	13	M18x1,5	10S	38	23,75	20,55	71	58	12	107,3	30	30	299	141	PLUG-08AM	PLUG-08AF
ISO 12.5	80PD0820SF2	80PD0820SM2	13	M20x1,5	12S	38	23,75	20,55	71	58	12	107,3	30	30	301	143	PLUG-08AM	PLUG-08AF
ISO 12.5	80PD0822LF2	80PD0822LM2	13	M22x1,5	15L	38	23,75	20,55	71	58	12	107,3	30	30	299	141	PLUG-08AM	PLUG-08AF
ISO 12.5	80PD0822SF2	80PD0822SM2	13	M22x1,5	14S	38	23,75	20,55	73	60	14	111,3	30	30	306	148	PLUG-08AM	PLUG-08AF
ISO 12.5	80PD0824SF2	80PD0824SM2	13	M24x1,5	16S	38	23,75	20,55	73	70	14	121,3	30	30	307	149	PLUG-08AM	PLUG-08AF
ISO 12.5	80PD0826LF2	80PD0826LM2	13	M26x1,5	18L	38	23,75	20,55	71	58	12	107,3	30	30	304	146	PLUG-08AM	PLUG-08AF
ISO 12.5	80PD0830SF2	80PD0830SM2	13	M30x2	20S	38	23,75	20,55	75	62	16	115,3	30	30	323	165	PLUG-08AM	PLUG-08AF



MALE PLUG FOR FEMALE QUICK COUPLING
TAPPO MASCHIO PER INNESTO RAPIDO FEMMINA



FEMALE PLUG FOR MALE QUICK COUPLING
TAPPO FEMMINA PER INNESTO RAPIDO MASCHIO



80PB

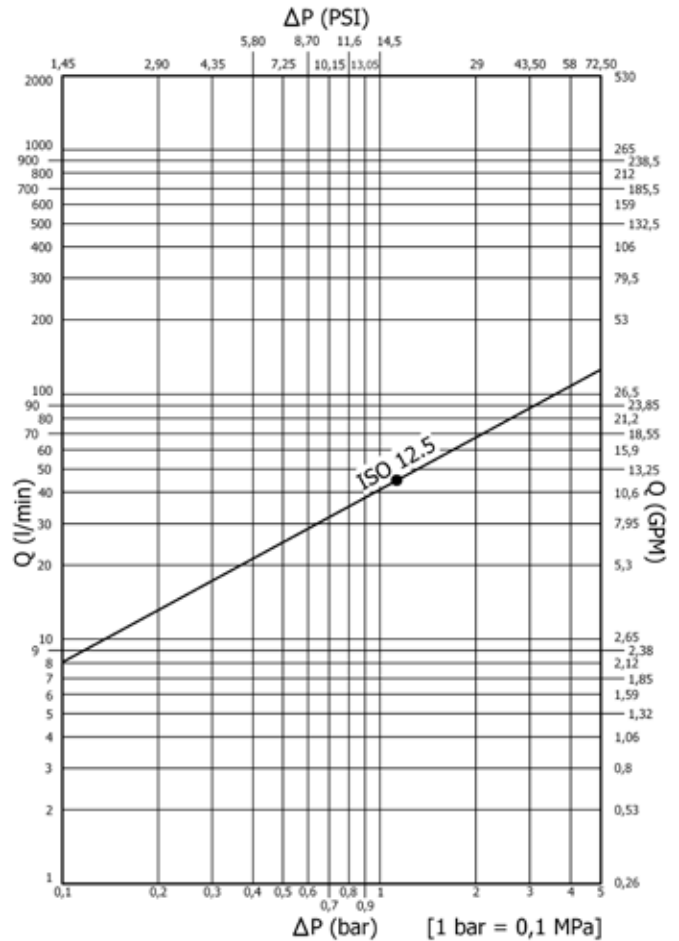
Push-Pull quick-release couplings DIN 2353 L/S Bulkhead

APPLICATIONS:



Features:

- Standard: ISO 7241-1 A.
- Shut-off: valve system.
- Locking: radial balls.
- Material: steel.
- Finishing: Zn-Ir (Cr III).
- Thread: BSP-NPT-SAE-METRIC.
- Standard seals : NBR.
- Operating temperature range: -25°C +100°C.
- Optional seals: FFKM, EPDM o altro.
- Working pressure: 225-350 bar.
- Pressure connection: not allowed.
- Seal: double action.

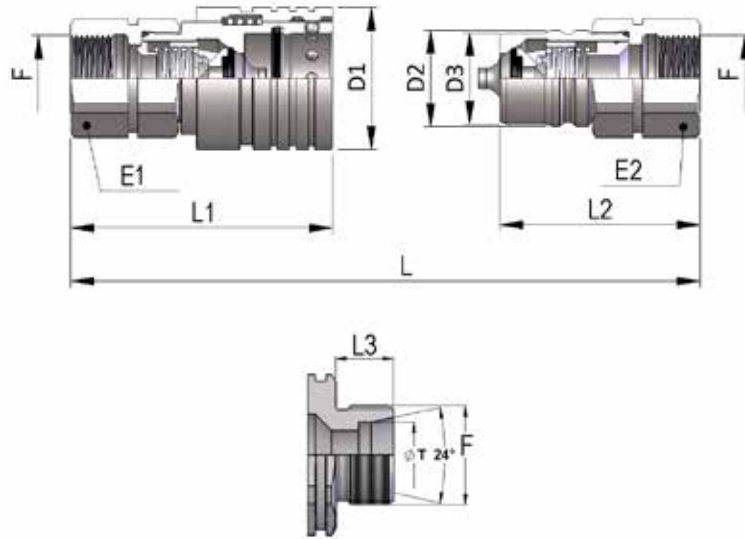


Pressure drop

Technical Data:

Nominal size		Max working pressure	Rated flow	Max flow rate	Min burst pressure			Fluid spillage
ISO	mm				male	female	coupled	
		MPa	l/min	l/min	MPa	MPa	MPa	cc
ISO 12.5	10,5	25	45	90	95	160	110	2,7

80PB



Nominal size ISO	Dimensions:																Plug	
	Part Number		Size	Thread	T	Dimensions							Weight		male	female		
	Female	Male	dash	F	mm	D1	D2	D3	L1	L2	L3	L	E1	E2	female	male		
ISO 12.5	80PB0814LF2	80PB0814LM2	13	M14x1,5	08L	38	23,75	20,55	85	72	26	135,3	30	30	312	154	PLUG-08AM	PLUG-08AF
ISO 12.5	80PB0816LF2	80PB0816LM2	13	M16x1,5	10L	38	23,75	20,55	85	72	26	135,3	30	30	318	160	PLUG-08AM	PLUG-08AF
ISO 12.5	80PB0818LF2	80PB0818LM2	13	M18x1,5	12L	38	23,75	20,55	85	72	26	135,3	30	30	322	164	PLUG-08AM	PLUG-08AF
ISO 12.5	80PB0818SF2	80PB0818SM2	13	M18x1,5	10S	38	23,75	20,55	86	73	27	137,3	30	30	333	175	PLUG-08AM	PLUG-08AF
ISO 12.5	80PB0820SF2	80PB0820SM2	13	M20x1,5	12S	38	23,75	20,55	86	73	27	137,3	30	30	341	183	PLUG-08AM	PLUG-08AF
ISO 12.5	80PB0822LF2	80PB0822LM2	13	M22x1,5	15L	38	23,75	20,55	86	73	27	137,3	30	30	347	189	PLUG-08AM	PLUG-08AF
ISO 12.5	80PB0822SF2	80PB0822SM2	13	M22x1,5	14S	38	23,75	20,55	88	75	29	141,3	30	30	360	202	PLUG-08AM	PLUG-08AF
ISO 12.5	80PB0824SF2	80PB0824SM2	13	M24x1,5	16S	38	23,75	20,55	88	75	29	141,3	30	30	365	207	PLUG-08AM	PLUG-08AF
ISO 12.5	80PB0826LF2	80PB0826LM2	13	M26x1,5	18L	38	23,75	20,55	86	73	27	137,3	30	30	378	220	PLUG-08AM	PLUG-08AF
ISO 12.5	80PB0830SF2	80PB0830SM2	13	M30x2	20S	38	23,75	20,55	88	75	29	141,3	30	30	419	261	PLUG-08AM	PLUG-08AF



MALE PLUG FOR FEMALE QUICK COUPLING
TAPPO MASCHIO PER INNESTO RAPIDO FEMMINA



FEMALE PLUG FOR MALE QUICK COUPLING
TAPPO FEMMINA PER INNESTO RAPIDO MASCHIO



80HS

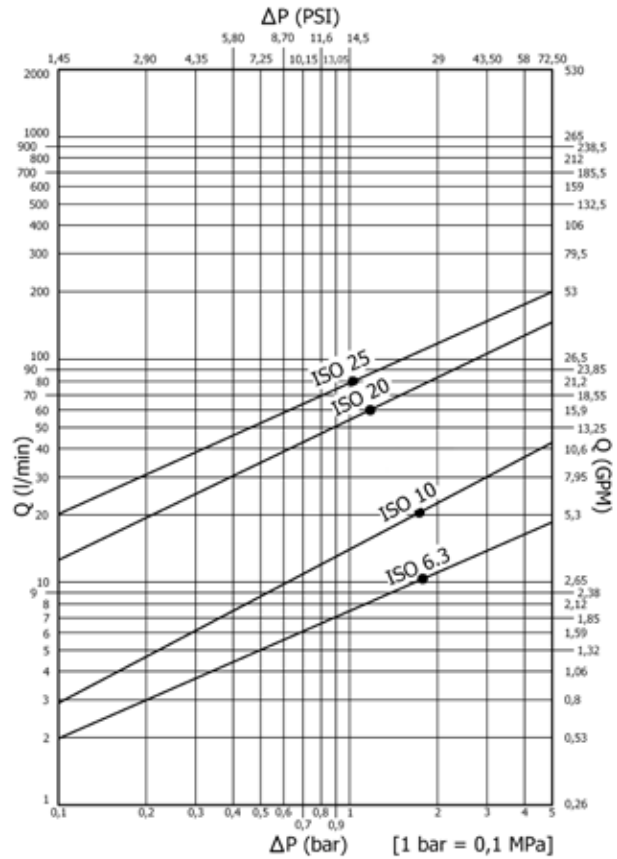
HS series quick-release couplings

APPLICATIONS:



Features:

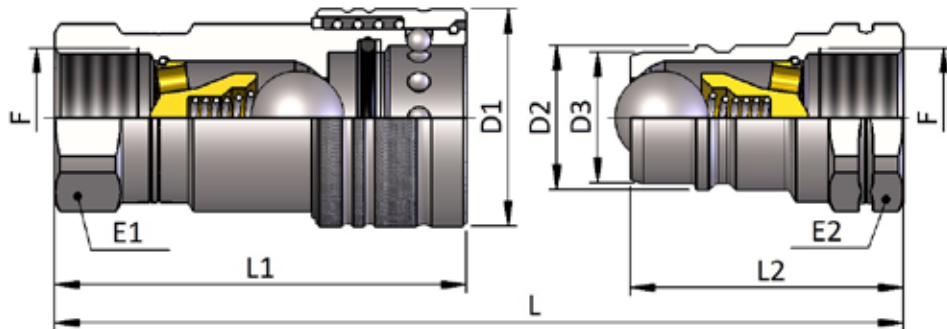
- Interchangeability: with the main producers.
- Shut-off: ball system.
- Locking: radial balls.
- Material: steel.
- Finishing: Zn-Ir (Cr III).
- Thread: BSP-NPT-SAE.
- Standard seals: NBR.
- Operating temperature range: -25°C +100°C.
- Optional seals: FFKM, EPDM o altro.
- Working pressure: 200-300 bar.
- Pressure connection: not allowed.



Pressure drop

Technical Data:								
Nominal size		Max working pressure	Rated flow	Max flow rate	Min burst pressure			Fluid spillage
ISO	mm				male	female	coupled	
		MPa	l/min	l/min	MPa	MPa	MPa	cc
ISO 6.3	5,3	30	12	20	120	120	150	0,5
ISO 10	7,4	25	23	35	100	100	160	1,4
ISO 19	12,4	20	60	120	80	110	120	4,6
ISO 25	13,1		80	160	85		100	5,9

80HS



Nominal size ISO	Dimensions:												Plug			
	Part Number		Size	Thread	Dimensions								Weight		male	female
	Female	Male	dash	F	D1	D2	D3	L1	L2	L	E1	E2	female	male		
ISO 6.3	80HS0404GF	80HS0404GM	6	1/4"	27	16,92	14,22	55,5	38	76,3	19	19	127	47	PLUG-04HM	PLUG-04HF
ISO 10	80HS0606GF	80HS0606GM	10	3/8"	34	21,52	19	63	42,5	85,5	24	24	207	86	PLUG-06HM	PLUG-06HF
ISO 19	80HS1212GF	80HS1212GM	20	3/4"	47	31,05	27,93	86	57	114,5	34	34	494	205	PLUG-12HM	PLUG-12HF
ISO 25	80HS1616GF	80HS1616GM	25	1"	52	34,48	31,3	99	65,5	131,5	41	41	768	302	PLUG-16HM	PLUG-16HF



MALE PLUG FOR FEMALE QUICK COUPLING
TAPPO MASCHIO PER INNESTO RAPIDO FEMMINA



FEMALE PLUG FOR MALE QUICK COUPLING
TAPPO FEMMINA PER INNESTO RAPIDO MASCHIO



80HV

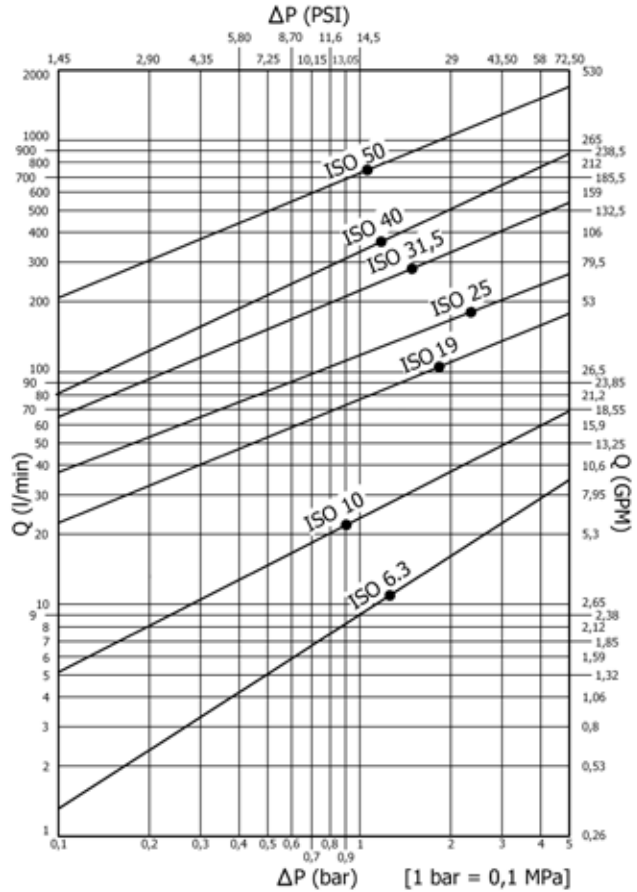
HV series quick-release couplings

APPLICATIONS:



Features:

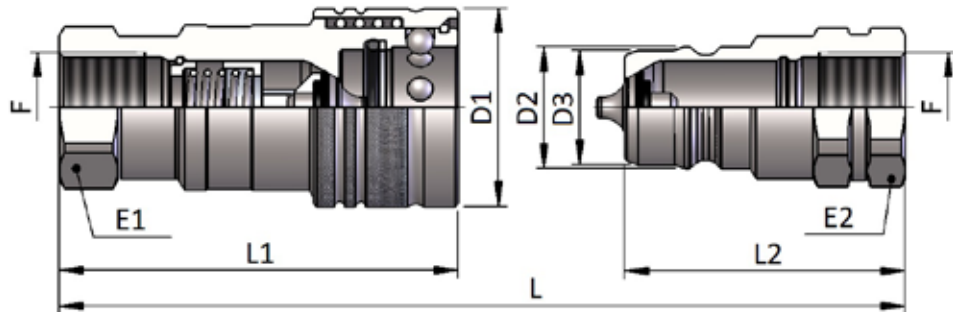
- Interchangeability: with the main producers.
- Shut-off: valve system Locking: radial balls.
- Material: steel.
- Finishing: Zn-Ir (Cr III).
- Thread: BSP-NPT.
- Standard seals: NBR.
- Operating temperature range: -25°C +100°C.
- Optional seals: FFKM, EPDM o altro.
- Working pressure: 100-400 bar.
- Pressure connection: not allowed.



Pressure drop

Technical Data:

Nominal size		Max working pressure	Rated flow	Max flow rate	Min burst pressure			Fluid spillage
ISO	mm				male	female	coupled	
		MPa	l/min	l/min	MPa	MPa	MPa	cc
ISO 6.3	6,5	40	12	24	160	170	170	1
ISO 10	8,5	35	23	46	150		150	2,4
ISO 19	15,7	25	106	190	100	120	110	8,6
ISO 25	16,6		189	250	120	110	100	13
ISO 31.5	22,8	22	288	480	100	90	100	30
ISO 40	29,9	20	379	700	96	80	80	52
ISO 50	46,5	10	757	1000	40	40	40	90



Nominal size ISO	Dimensions:												Plug			
	Part Number		Size	Thread	Dimensions								Weight		male	female
	Female	Male	dash	F	D1	D2	D3	L1	L2	L	E1	E2	female	male		
ISO 6.3	80HV0404GF	80HV0404GM	6	1/4"	27	17	14,2	55,5	38	76,3	19	19	118	46	PLUG-04HM	PLUG-04HF
ISO 10	80HV0606GF	80HV0606GM	10	3/8"	34	21,5	19	63	42,5	85,5	24	24	200	80	PLUG-06HM	PLUG-06HF
ISO 19	80HV1212GF	80HV1212GM	20	3/4"	47	31	28	86	57	114,5	34	34	473	183	PLUG-12HM	PLUG-12HF
ISO 25	80HV1616GF	80HV1616GM	25	1"	52	34,5	31,3	99	65,5	131,5	41	41	736	282	PLUG-16HM	PLUG-16HF
ISO 31.5	80HV2020GF	80HV2020GM	30	1.1/4"	70	48,5	44	117	75	150,5	50	50	1520	556	***	***
ISO 40	80HV2424GF	80HV2424GM	39	1.1/2"	84	57,85	53,45	128	83,5	167,5	60	60	2472	936	***	***
ISO 50	80HV3232GF	80HV3232GM	50	2"	115	68,8	82	139	88,5	177,5	70	70	4010	1892	***	***



MALE PLUG FOR FEMALE QUICK COUPLING
TAPPO MASCHIO PER INNESTO RAPIDO FEMMINA



FEMALE PLUG FOR MALE QUICK COUPLING
TAPPO FEMMINA PER INNESTO RAPIDO MASCHIO



80PK

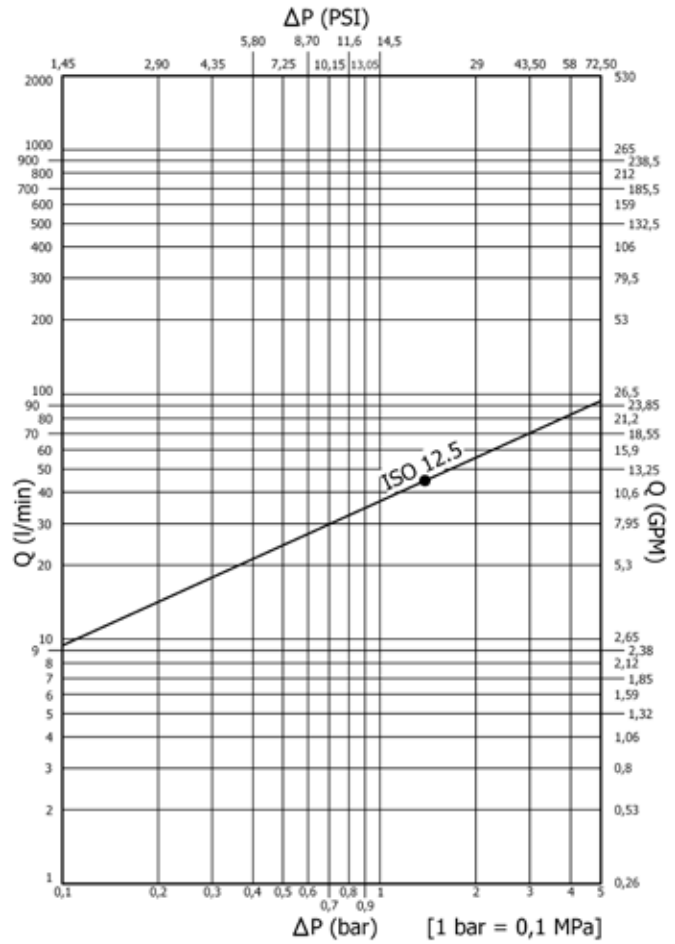
Push Pull - Connection under pressure

APPLICATIONS:



Features:

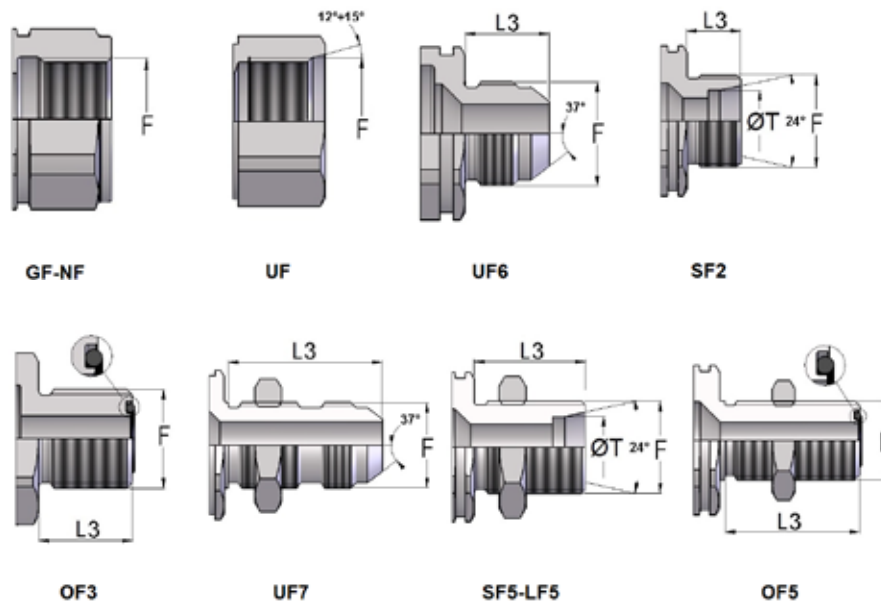
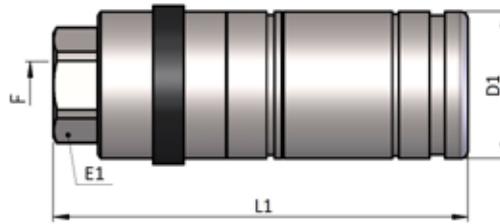
- Standard: ISO 7241-1 A.
- Seal: double action.
- Shut-off: valve system.
- Locking: radial balls.
- Material: steel.
- Finishing: Zn-Ir (Cr III).
- Thread: BSP-NPT-SAE-METRIC.
- Standard seals: NBR.
- Operating temperature range: -25°C +100°C.
- Optional seals: FFKM, EPDM o altro.
- Working pressure: 250 bar.



Pressure drop

Technical Data:								
Nominal size		Max working pressure	Rated flow	Max flow rate	Min burst pressure			Fluid spillage
ISO	mm				male	female	coupled	
		MPa	l/min	l/min	MPa	MPa	MPa	cc
12,5	10,5	25	45	90	80	130	120	2,7

80PK



Nominal size ISO	Dimensions:															Plug	
	Part Number	Size		T	Dimensions											Weight	male
	Female	dash	F1	mm	D1	D2	D3	L1	L2	L3	L	E1	E2	E3	E4	female	
12,5	80PK0814OF5	8	1"3/16-12 UN 2A	-	38	-	-	138.6	-	41.7	-	32	-	-	-	680	PLUG-08AM
12,5	80PK0812UF6	8	1"1/16-14 UNF 2A	-	38	-	-	117	-	22	-	32	-	-	-	569	PLUG-08AM
12,5	80PK0813OF5	8	1"-14 UNS 2A	-	38	-	-	136.6	-	40.6	-	32	-	-	-	645	PLUG-08AM
12,5	80PK0824SF5	8	M24x1,5	16S	38	-	-	124,5	-	29	-	32	-	-	-	612	PLUG-08AM
12,5	80PK0810UF7	8	7/8"-14 UNF 2A	-	38	-	-	137	-	41,1	-	32	-	-	-	594	PLUG-08AM
12,5	80PK0810UF6	8	7/8"-14 UNF 2A	-	38	-	-	115.1	-	19.3	-	32	-	-	-	557	PLUG-08AM
12,5	80PK0822LF5	8	M22x1,5	15L	38	-	-	123,5	-	27	-	32	-	-	-	599	PLUG-08AM
12,5	80PK0820SF5	8	M20x1,5	12S	38	-	-	123,5	-	27	-	32	-	-	-	594	PLUG-08AM
12,5	80PK0811OF	8	13/16-16 UN 2A	-	38	-	-	108.6	-	12.8	-	32	-	-	-	552	PLUG-08AM
12,5	80PK0820SF2	8	M20x1,5	12S	38	-	-	107,8	-	12	-	32	-	-	-	545	PLUG-08AM
12,5	80PK0808UF7	8	3/4"-16 UNF 2A	-	38	-	-	133,5	-	37,6	-	32	-	-	-	578	PLUG-08AM
12,5	80PK0808UF6	8	3/4"-16 UNF 2A	-	38	-	-	112.5	-	16.7	-	32	-	-	-	549	PLUG-08AM
12,5	80PK0808UF	8	3/4"-16 UNF 2B	-	38	-	-	107.3	-	-	-	27	-	-	-	580	PLUG-08AM
12,5	80PK0818LF5	8	M18x1,5	12L	38	-	-	121,5	-	26	-	32	-	-	-	567	PLUG-08AM
12,5	80PK0808GF	8	BSP 1/2"	-	38	-	-	107,3	-	-	-	27	-	-	-	575	PLUG-08AM
12,5	80PK0808NF	8	NPTF 1/2"	-	38	-	-	107,3	-	-	-	27	-	-	-	577	PLUG-08AM

80FK

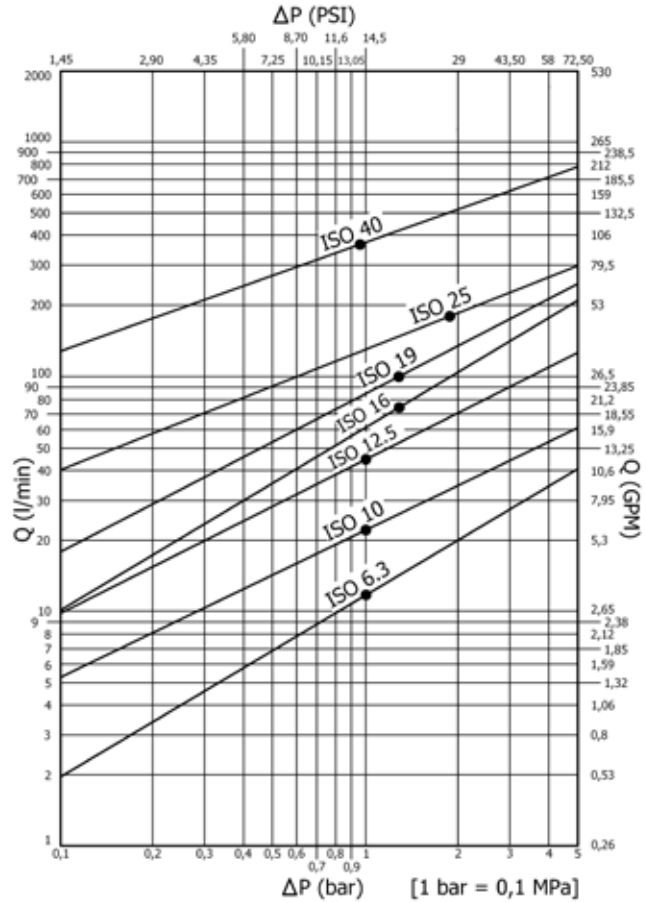
Male connectable under pressure - ISO 16028

APPLICATIONS:



Features:

- standard: ISO 16028.
- Shut-off flat valve system.
- Locking: radial balls.
- Material: high strength steel.
- Finishing: Zn-Ir (Cr III) and Zn-Ni.
- Thread: BSP-NPT-SAE-METRIC.
- Standard seals : NBR e PU.
- Operating temperature range: -25°C +100°C Optional seals: FFRM, EPDM o altro.
- Working pressure: 250-400 bar.
- Maximum residual pressure: 250 bar.

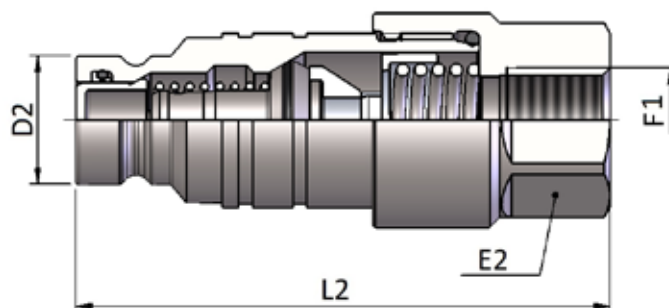


Pressure drop

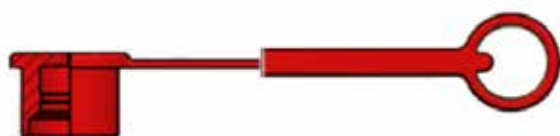
Technical Data:

Nominal size		Max working pressure	Rated flow	Max flow rate	Min burst pressure		Fluid spillage
ISO	mm				male	coupled	
		MPa	l/min	l/min	MPa	MPa	cc
ISO 6.3	6	40	12	24	190	190	0.008
ISO 10	8.6		23	46			0.010
ISO 12.5	10.7		45	90			0.012
ISO 10	8.6	35	23	46	140	140	0.010
ISO 12.5	10.7		45	90			0.012
ISO 16	12.8		74	150			0.015
ISO 19	14.8	30	100	200	120	120	0.020
ISO 25	17.6		189	280			0.030
ISO 40	30	25	379	700	100	110	0.050

80FK



Nominal size ISO	Part Number	Size dash	Dimensions:				Weight male	Plug female
			F1	D2	L2	E2		
ISO 6.3	80FK0404NM	6	NPT 1/4"	16.2	67,5	22	143	PLUG-04IFM
ISO 6.3	80FK0404GM	6	BSP 1/4"	16.2	67,5	22	142	*
ISO 10	80FK0608NM	13	NPT 1/2"	19.76	78	30	243	PLUG-06IFM
ISO 10	80FK0608GM	13	BSP 1/2"	19.76	74	30	226	PLUG-06IFM
ISO 10	80FK0606NM	13	NPT 3/8"	19.76	77,5	30	256	PLUG-06IFM
ISO 10	80FK0606GM	13	BSP 3/8"	19.76	74	30	240	PLUG-06IFM
ISO 12.5	80FK0810UM	20	7/8"-14 UNF 2B	24.5	86	36	366	PLUG-08IFM
ISO 10	80FK0608UM	13	3/4"-16 UNF 2B	19.76	75	30	235	PLUG-06IFM
ISO 12.5	80FK0808GM	20	BSP 1/2"	24.5	84,5	36	362	PLUG-08IFM
ISO 12.5	80FK0808NM	20	NPT 1/2"	24.5	86	36	375	PLUG-08IFM
ISO 12.5	80FK0812GM	20	BSP 3/4"	24.5	86,5	36	342	PLUG-08IFM
ISO 12.5	80FK0812NM	20	3/4"-16 UNF 2B	24.5	82	36	354	PLUG-08IFM
ISO 12.5	80FK0812UM	20	1"-1/16-12 UN 2B	24.5	86	36	336	PLUG-08IFM
ISO 16	80FK1012GM	22	BSP 3/4"	27	89,5	36	378	*
ISO 16	80FK1012NM	22	NPT 3/4"	27	89	36	383	*
ISO 19	80FK1216GM	25	BSP 1"	29.9	105	41	524	PLUG-12IFM
ISO 19	80FK1212GM	25	BSP 3/4"	29.9	105	41	582	PLUG-12IFM
ISO 19	80FK1212NM	25	NPT 3/4"	29.9	105	41	589	PLUG-12IFM
ISO 19	80FK1216NM	25	NPT 1"	29.9	105	41	531	PLUG-12IFM
ISO 19	80FK1216UM	25	1"-5/16-12 UN 2B	29.9	105	41	517	PLUG-12IFM
ISO 25	80FK1620GM	30	BSP 1-1/4"	36	120	55	1109	PLUG-16IFM
ISO 25	80FK1616GM	30	BSP 1"	36	120	50	1038	PLUG-16IFM
ISO 25	80FK1616NM	30	NPT 1"	36	120	50	1045	PLUG-16IFM
ISO 25	80FK1620NM	30	NPT 1-1/4"	36	120	55	1123	PLUG-16IFM
ISO 40	80FK2024GM	39	BSP 1-1/2"	57	152.7	75	3350	*
ISO 40	80FK2024NM	39	NPT 1-1/2"	57	152.7	75	3190	*



MALE PLUG FOR FEMALE QUICK COUPLING
TAPPO MASCHIO PER INNESTO RAPIDO FEMMINA



FEMALE PLUG FOR MALE QUICK COUPLING
TAPPO FEMMINA PER INNESTO RAPIDO MASCHIO



Analytical Index

80FF.....	1
X80FF.....	3
80FV.....	5
80FI.....	7
80AS.....	9
80VS.....	11
X80VS.....	13
80HP.....	15
80PV.....	17
80AV.....	19
X80AV.....	21
80BV.....	23
X80BV.....	25
080BV.....	27
80A1.....	29
85A1.....	31
80PP.....	33
80PS.....	35
80PD.....	37
80PB.....	39
80HS.....	41
80HV.....	63
80PK.....	45
80FK.....	47



INTERPUMP

FLUID SOLUTIONS 

Powered by I.M.M. Hydraulics



I.M.M. Hydraulics Spa
interpumpfluidsolutions.com

Via Italia, 49-51
66041 - Atessa (Ch) - Italy
T. +39 (0) 0872 889225
F. +39 (0) 0872 889226



CAT-IFS-Q