



MAFSALLI

MODELLER

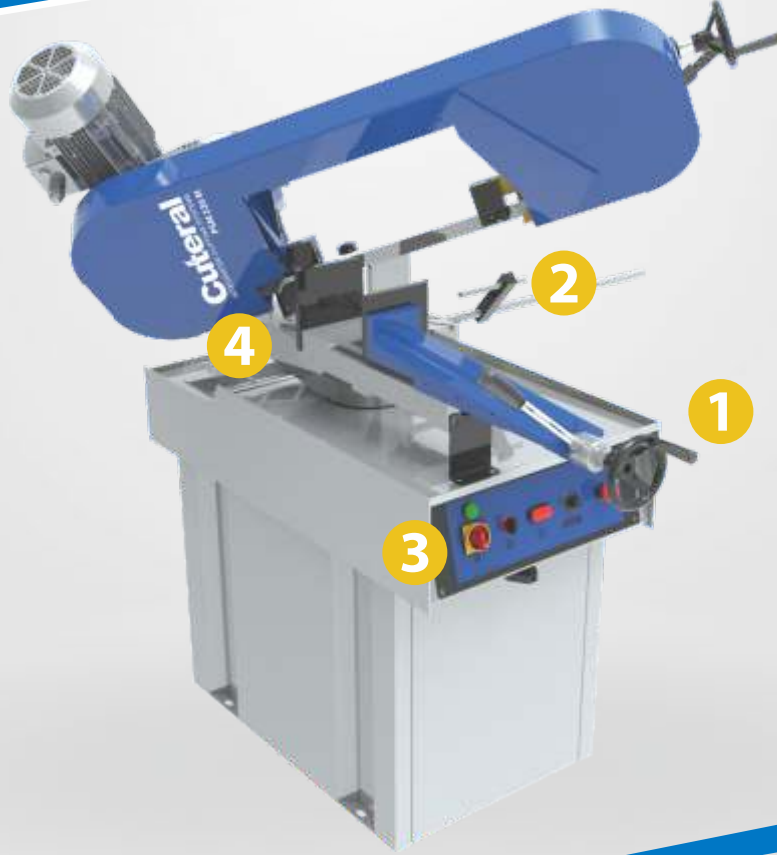
Pivot Types

Cut^leral
INTEGRATED CUTTING SYSTEMS

PSM 220 M

Yarı Otomatik Açılı Testere Tezgahı
Semi Automatic Miter Bandsaw Machine

Cuteral
INTEGRATED CUTTING SYSTEMS



1

MALZEME SIKMA SİSTEMİ

Material Clamping System

2

AÇI SABİTLEME

Fixing Miter Degree

3

KUMANDA PANELİ

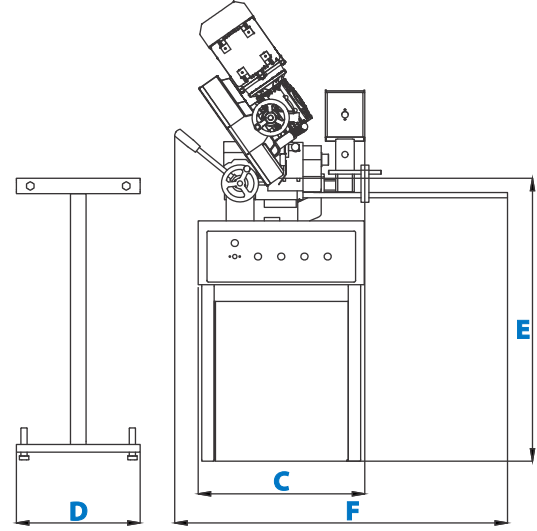
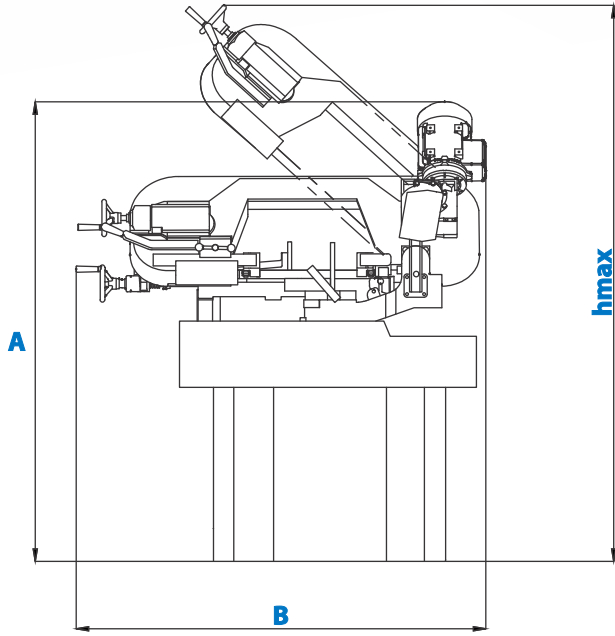
Control Panel

4

DÖNER GÖBEK SİSTEMİ

Miter Cutting

Ölçüler / Dimensions



| | | | | | | | | | | | | | |
|----------|-----------------------|----------|-----------------------|----------|----------------------|----------|----------------------|----------|----------------------|----------|-----------------------|-------------|-----------------------|
| A | 1485 mm 58.46 inch | B | 1406 mm 55.35 inch | C | 538 mm 21.18 inch | D | 400 mm 15.75 inch | E | 915 mm 36.02 inch | F | 1075 mm 42.32 inch | hmax | 1800 mm 70.87 inch |
|----------|-----------------------|----------|-----------------------|----------|----------------------|----------|----------------------|----------|----------------------|----------|-----------------------|-------------|-----------------------|

| | | | |
|--|--|---|--|
| Yarı Otomatik Semi Automatic | Şerit Ölçüsü Blade Dimension 27x0.9x2480 mm 1x 0.035x97.64 inch | Şerit Motoru Blade Motor 1.1kw-1400/d 1.47hp 1400 rpm | Sürücü Motor Feeding Motor Manuel Manual |
| Soğutucu Motor Cooling Liquid Motor 0.12kW 3000d/dk 0.16hp - 3000 rpm | Voltaj Voltage 220 V 220 V | Maksimum Güç Maximum Power 1.22 kW 1.47hp | Kesme Hızı Cutting Speed 25m/dk- 82 ft/min 90m/dk- 295 ft/min |
| Ağırlık Weight 250 kg 551.16 lbs | Malzeme Sıkma Sistemi Material Clamping System Manuel Manual | Şerit Germe Sistemi Blade Tensioning System Hidromekanik Hydramechanic | |

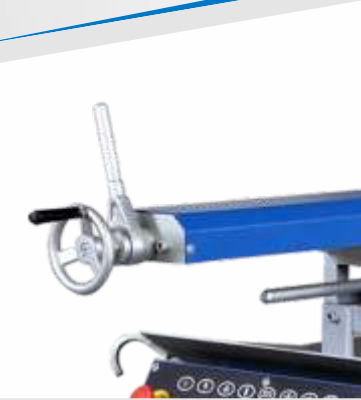
| | | | | | | | | | |
|--|--|----------------|------------|------------|------------|----------------------------------|----------------------------------|----------------------------------|--------------------------------|
| Kesim Kapasitesi Cutting Capacity | Kesim Kapasitesi Cutting Capacity | mm inch | 60° | 45° | 30° | 0° | 15° | 45° | 60° |
| 220 mm 8.66 inch | 250 mm 9.84 inch | ● | | | | 220 mm 8.66 inch | 200 mm 7.87 inch | 150 mm 5.90 inch | 80 mm 3.15 inch |
| 220 x 220 mm 8.66 x 8.66 inch | 200 x 250 mm 7.87 x 9.84 inch | ■ | | | | 220 x 220 mm 8.66 x 8.66 inch | 180 x 180 mm 7.09 x 7.09 inch | 140 x 140 mm 5.51 x 5.51 inch | 80 x 80 mm 3.15 x 3.15 inch |
| | | ■ | | | | 200 x 250 mm 7.87 x 9.84 inch | 200 x 180 mm 7.87 x 7.09 inch | 140 x 150 mm 5.51 x 5.91 inch | 80 x 80 mm 3.15 x 3.15 inch |

PSM 220 / 330 DM

Yarı Otomatik Çift Yön Açılı Testere Tezgahı

Semi Automatic Double Miter Bandsaw Machine

Cuteral
INTEGRATED CUTTING SYSTEMS



**1 MALZEME SIKMA
SİSTEMİ**

Material Clamping
System

2 AÇI SABİTLEME
Fixing Miter Degree

Fixing Miter Degree

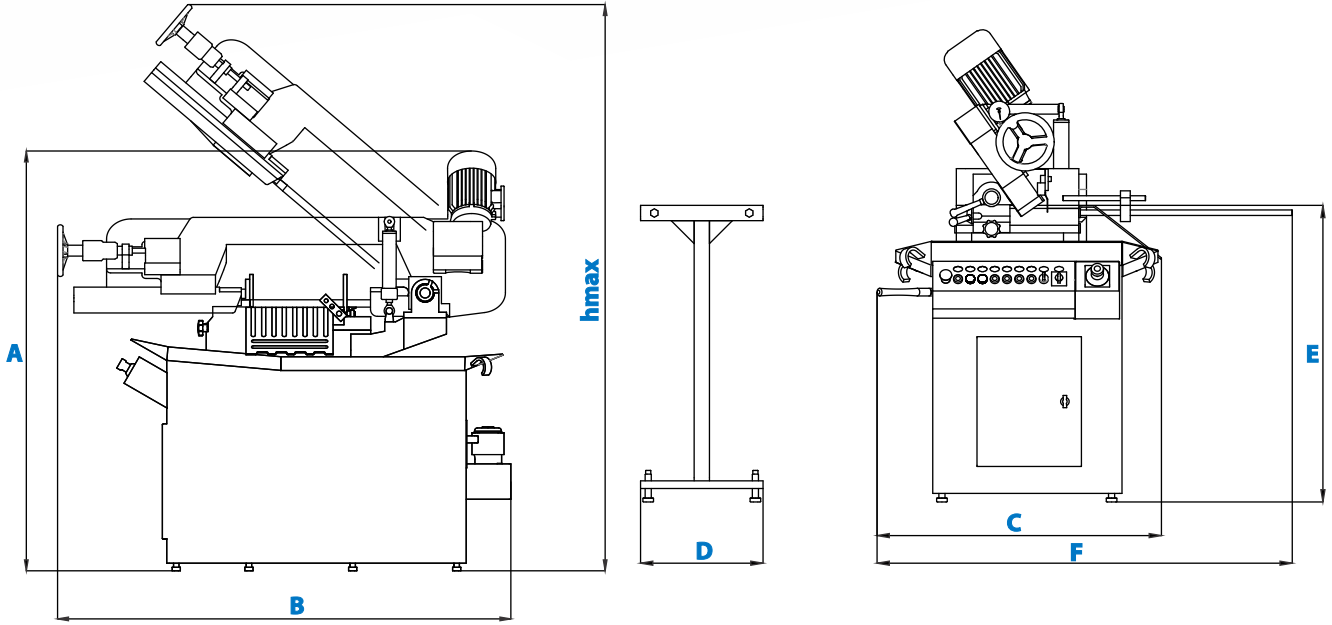
3 KUMANDA PANELİ
Control Panel

Control Panel

**4 DÖNER GÖBEK
SİSTEMİ**

Miter Cutting

Ölçüler / Dimensions



| | | | | | | | | | | | | | |
|---|-----------------------|---|-----------------------|---|-----------------------|---|----------------------|---|----------------------|---|-----------------------|------|-----------------------|
| A | 1545 mm 60.83 inch | B | 1780 mm 70.08 inch | C | 1030 mm 40.55 inch | D | 400 mm 15.75 inch | E | 970 mm 38.19 inch | F | 1470 mm 57.87 inch | hmax | 2060 mm 81.10 inch |
|---|-----------------------|---|-----------------------|---|-----------------------|---|----------------------|---|----------------------|---|-----------------------|------|-----------------------|

| | | | |
|--|--|---|---|
| Yarı Otomatik Semi Automatic | Şerit Ölçüsü Blade Dimension 27x0.9x3175 mm 1x0.035x125 inch | Şerit Motoru Blade Motor 0.6kw-700d/d 0.8hp 700 rpm 0.9kw-1500d/d 1.2hp 1500 rpm | Sürücü Motor Feeding Motor Manuel Manual |
| Hidrolik Motor Hydraulic Pump Motor 0.25kW- 1500 d/dk 0.34hp-1500 rpm | Soğutucu Motor Cooling Liquid Motor 0.12kW 3000d/dk 0.16hp - 3000 rpm | Voltaj Voltage 400 V 400 V | Maksimum Güç Maximum Power 1.27 kW 1.70 hp |
| Kesme Hızı Cutting Speed 35m/dk- 115ft/min 70m/dk-230 ft/min | Ağırlık Weight 580 kg 1278 lbs | Malzeme Sıkma Sistemi Material Clamping System Manuel Manual | Şerit Germe Sistemi Blade Tensioning System Hidromekanik Hydraulic |

| Kesim Kapasitesi Cutting Capacity | | mm inch | 60° | 45° | 30° | 0° | 15° | 45° | 60° |
|--------------------------------------|----------------------|------------|----------------------------------|----------------------------------|----------------------------------|-----------------------------------|----------------------------------|----------------------------------|----------------------------------|
| 220 mm 8.66 inch | 330 mm 12.99 inch | ● | 200 mm 7.87 inch | 220 mm 8.66 inch | 220 mm 8.66 inch | 220 mm 8.66 inch | 220 mm 8.66 inch | 180 mm 7.08 inch | 100 mm 3.93 inch |
| | | ■ | 175 x 175 mm 6.89 x 6.89 inch | 220 x 220 mm 8.66 x 8.66 inch | 220 x 220 mm 8.66 x 8.66 inch | 220 x 220 mm 8.66 x 8.66 inch | 220 x 220 mm 8.66 x 8.66 inch | 180 x 180 mm 7.08 x 7.08 inch | 100 x 100 mm 3.93 x 3.93 inch |
| | | □ | 200 x 160 mm 7.87 x 6.30 inch | 220 x 230 mm 8.66 x 9.05 inch | 220 x 230 mm 8.66 x 9.05 inch | 220 x 330 mm 8.66 x 12.99 inch | 220 x 230 mm 8.66 x 9.05 inch | 210 x 180 mm 8.27 x 7.08 inch | 100 x 100 mm 3.93 x 3.93 inch |

PSM 280

Yarı Otomatik Testere Tezgahı

Semi Automatic Bandsaw Machine

Cuteral
INTEGRATED CUTTING SYSTEMS



1

MALZEME SIKMA SİSTEMİ

Material Clamping System

2

KUMANDA PANELİ

Control Panel

3

ŞERİT GEDİRME SİSTEMİ

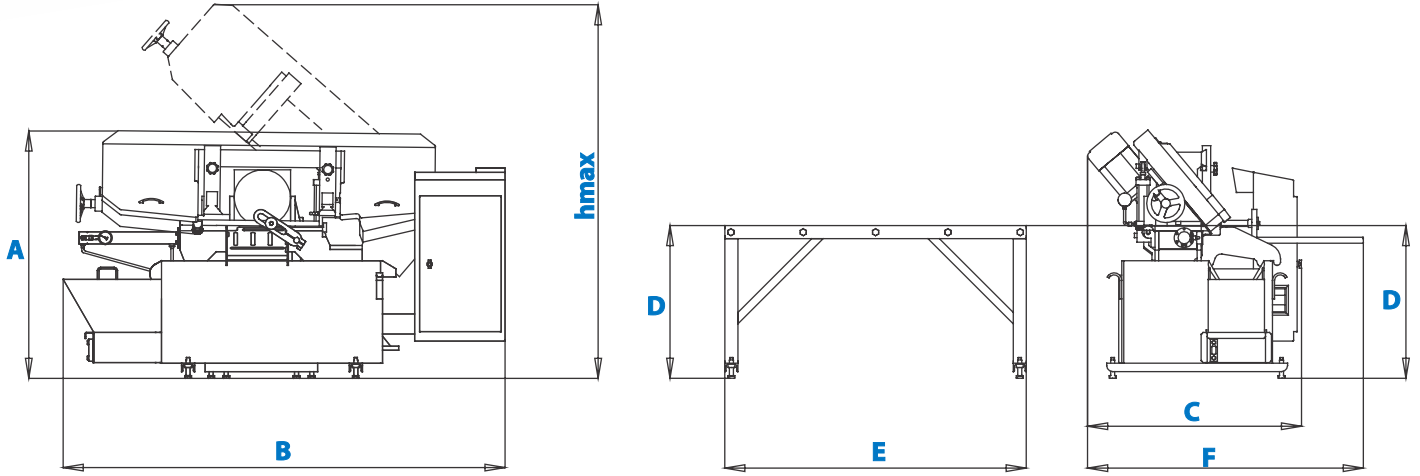
Blade Tensioning

4

AÇILI KESİM

Miter Cutting

Ölçüler / Dimensions



| | | | | | | | | | | | | | |
|----------|-----------------------|----------|-----------------------|----------|-----------------------|----------|----------------------|----------|-----------------------|----------|-----------------------|-------------|-----------------------|
| A | 1235 mm 48.62 inch | B | 2200 mm 86.61 inch | C | 1065 mm 41.93 inch | D | 725 mm 28.54 inch | E | 1500 mm 59.06 inch | F | 1375 mm 54.13 inch | hmax | 1880 mm 74.02 inch |
|----------|-----------------------|----------|-----------------------|----------|-----------------------|----------|----------------------|----------|-----------------------|----------|-----------------------|-------------|-----------------------|

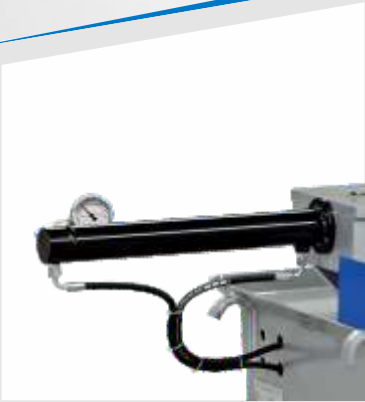
| | | | |
|---|---|---|--|
| Yarı Otomatik Semi Automatic | Şerit Ölçüsü Blade Dimension 27x0.9x3670 mm 1 x 0.035x144.5 inch | Şerit Motoru Blade Motor 2.2kw-1500 d/dk 2.95hp-1500 rpm | Sürücü Motor Feeding Motor Manual Manual |
| Hidrolik Motor Hydraulic Pump Motor 0.75kw-1400 d/dk 1hp-1400 rpm | Soğutucu Motor Cooling Liquid Motor 0.12kw-3000d/dk 0.16hp-3000 rpm | Voltaj Voltage 400 V 400 V | Maksimum Güç Maximum Power 3.07 kW 4.11 hp |
| Kesme Hızı Cutting Speed 15m/dk- 49 ft/min 130 m/dk- 426 ft/min | Ağırlık Weight 600 kg 1322 lbs | Malzeme Sıkma Sistemi Material Clamping System Hidrolik Hydraulic | Şerit Germe Sistemi Blade Tensioning System Hidromekanik Hydramechanic |

| | | | | | | | | | |
|---|---|-------------------|----------------------------------|------------------------------------|------------------------------------|-----------------------------------|----------------------------------|------------------------------------|----------------------------------|
| Kesim Kapasitesi Cutting Capacity | Kesim Kapasitesi Cutting Capacity | mm inch | 60° | 45° | 30° | 0° | 10° | 25° | 60° |
| 280 mm 7.87 inch | 300 mm 11.81 inch | ● | 250 mm 9.84 inch | 280 mm 11.02 inch | 280 mm 11.02 inch | 280 mm 11.02 inch | 210 x 210 mm 8.27 x 8.27 inch | 280 x 280 mm 11.02 x 11.02 inch | 250 x 250 mm 9.84 x 9.84 inch |
| | | ■ | 200 x 220 mm 7.87 x 8.66 inch | 280 x 280 mm 11.02 x 11.02 inch | 280 x 280 mm 11.02 x 11.02 inch | 140 x 300 mm 5.51 x 11.81 inch | | | |

PSM 280 M

Yarı Otomatik Açılı Testere Tezgahı
Semi Automatic Miter Bandsaw Machine

Cuteral
INTEGRATED CUTTING SYSTEMS



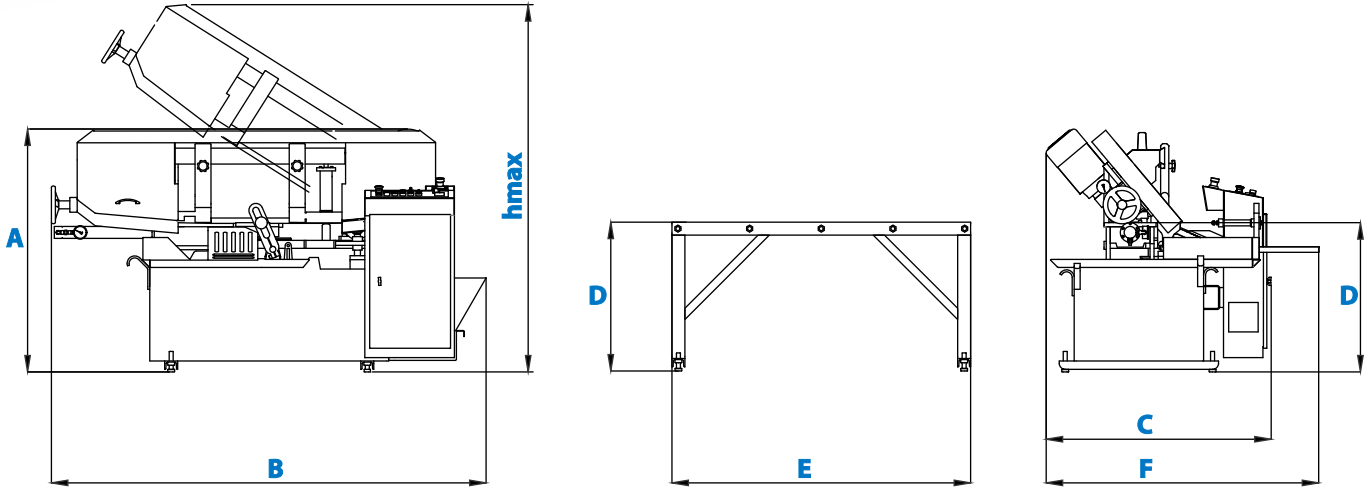
1 MALZEME SIKMA
SİSTEMİ
Material Clamping
System

2 ŞERİT GERDİRME
SİSTEMİ
Blade Tensioning

3 KUMANDA PANELİ
Control Panel

4 AÇILI KESİM
Miter Cutting

Ölçüler / Dimensions



| | | | | | | | | | | | | | |
|----------|-----------------------|----------|-----------------------|----------|-----------------------|----------|----------------------|----------|-----------------------|----------|-----------------------|-------------|-----------------------|
| A | 1225 mm 48.23 inch | B | 2185 mm 86.02 inch | C | 1135 mm 44.69 inch | D | 750 mm 29.53 inch | E | 1500 mm 59.06 inch | F | 1370 mm 53.94 inch | hmax | 1845 mm 72.64 inch |
|----------|-----------------------|----------|-----------------------|----------|-----------------------|----------|----------------------|----------|-----------------------|----------|-----------------------|-------------|-----------------------|

| | | | |
|--|--|--|---|
| Yarı Otomatik Semi Automatic | Şerit Ölçüsü Blade Dimension 27x0.9x3970 mm 1 x 0.035x156.3 inch | Şerit Motoru Blade Motor 2.2kw-1500 d/dk 2.95hp-1500 rpm | Sürücü Motor Feeding Motor Manual Manual |
| Hidrolik Motor Hydraulic Pump Motor 0.75kw-1400 d/dk 1hp-1400 rpm | Soğutucu Motor Cooling Liquid Motor 0.12kw-3000d/dk 0.16hp-3000 rpm | Voltaj Voltage 400 V 400 V | Maksimum Güç Maximum Power 3.07 kW 4.11 hp |
| Kesme Hızı Cutting Speed 15m/dk- 49 ft/min 130 m/dk- 426 ft/min | Ağırlık Weight 850 kg 1873 lbs | Malzeme Sıkma Sistemi Material Clamping System Hidrolik Hydraulic | Şerit Germe Sistemi Blade Tensioning System Hidromekanik Hydramechanic |

| | | | | | | | | | |
|--------------------------------------|--------------------------------------|------------|----------------------------------|----------------------------------|-----------------------------------|----|-----|-----|-----|
| Kesim Kapasitesi Cutting Capacity | Kesim Kapasitesi Cutting Capacity | mm inch | 60° | 45° | 30° | 0° | 15° | 45° | 60° |
| 280 mm 11.02 inch | 280 mm 11.02 inch | ● | 180 mm 7.09 inch | 230 mm 9.06 inch | 280 mm 11.02 inch | | | | |
| | | ■ | 150 x 150 mm 5.91 x 5.91 inch | 210 x 210 mm 8.27 x 8.27 inch | 250 x 250 mm 9.84 x 9.84 inch | | | | |
| | | ■ | 150 x 165 mm 5.91 x 6.50 inch | 220 x 165 mm 8.66 x 6.50 inch | 150 x 280 mm 5.91 x 11.02 inch | | | | |

PAR 280

Tam Otomatik Testere Tezgahı
Full Automatic Bandsaw Machine

Cuteral
INTEGRATED CUTTING SYSTEMS



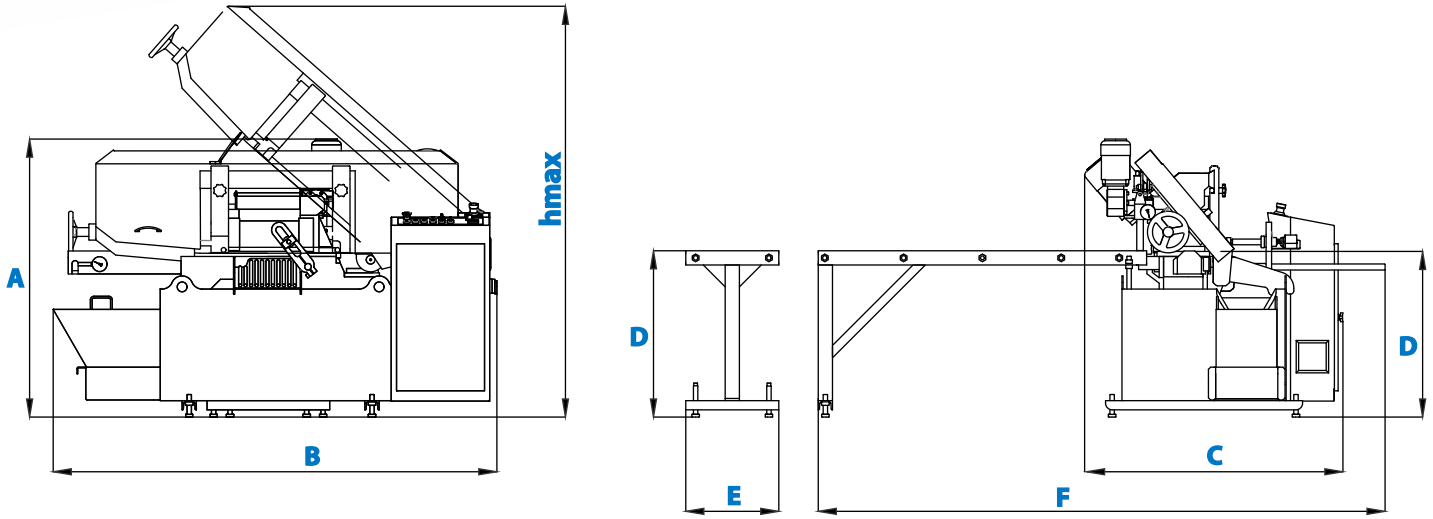
1 **MALZEME SIKMA SİSTEMİ**
Material Clamping System

2 **KUMANDA PANELİ**
Control Panel

3 **MENGENE SİSTEMİ**
Clamping System

4 **MALZEME SÜRME SİSTEMİ**
Material Feeding System

Ölçüler / Dimensions



| | | | | | | | | | | | | | |
|----------|-----------------------|----------|-----------------------|----------|-----------------------|----------|----------------------|----------|----------------------|----------|------------------------|-------------|-----------------------|
| A | 1235 mm 48.62 inch | B | 2030 mm 79.92 inch | C | 1180 mm 46.46 inch | D | 757 mm 29.80 inch | E | 525 mm 20.67 inch | F | 2580 mm 101.57 inch | hmax | 1880 mm 74.02 inch |
|----------|-----------------------|----------|-----------------------|----------|-----------------------|----------|----------------------|----------|----------------------|----------|------------------------|-------------|-----------------------|

| | | | |
|---|---|--|---|
| Otomatik Automatic | Şerit Ölçüsü Blade Dimension 27x0.9x3670 mm 1 x 0.035x144.5 inch | Şerit Motoru Blade Motor 2.2kw-1500 d/dk 2.95hp-1500 rpm | Sürücü Motor Feeding Motor 0.37kw- 925d/dk 0.49hp- 925 rpm |
| Hidrolik Motor Hydraulic Pump Motor 0.75kw-1400 d/dk 1hp-1400 rpm | Soğutucu Motor Cooling Liquid Motor 0.12kw-3000d/dk 0.16hp-3000 rpm | Voltaj Voltage 400 V 400 V | Maksimum Güç Maximum Power 3.44 kW 4.61 hp |
| Kesme Hızı Cutting Speed 15m/dk- 49 ft/min 130 m/dk- 426 ft/min | Ağırlık Weight 620 kg 1367 lbs | Malzeme Sıkma Sistemi Material Clamping System Hidrolik Hydraulic | Şerit Germe Sistemi Blade Tensioning System Hidromekanik Hydramechanic |

| | | | | | |
|--|---|---|----------------------|----------------------------------|-----------------------------------|
| Kesim Kapasitesi Cutting Capacity 280 mm 11.02 inc | Kesim Kapasitesi Cutting Capacity 290 mm 11.42 inch | mm inch 60° 45° 30° 0° 15° 45° 60° | 280 mm 11.02 inch | 250 x 250 mm 9.84 x 9.84 inch | 150 x 290 mm 5.91 x 11.42 inch |
|--|---|---|----------------------|----------------------------------|-----------------------------------|

PAR 280 M

Tam Otomatik Açılı Testere Tezgahı
Full Automatic Miter Bandsaw Machine

Cuteral
INTEGRATED CUTTING SYSTEMS



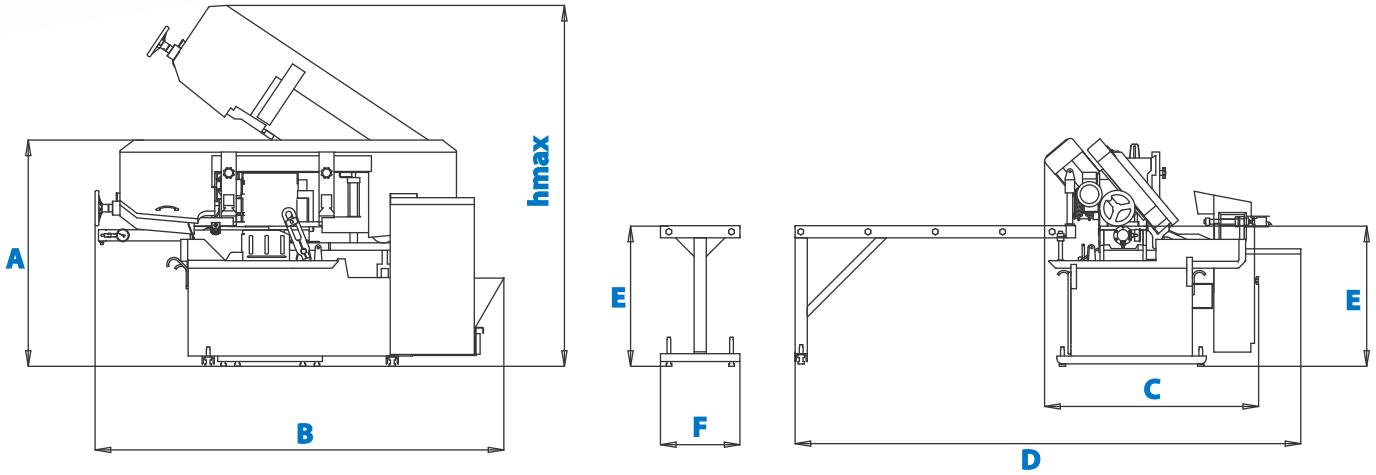
1 MALZEME SIKMA SİSTEMİ
Material Clamping System

2 MALZEME SÜRME SİSTEMİ
Material Feeding System

3 AÇI KİLİTLEME
Miter Fixing

4 DÖNER GÖBEK SİSTEMİ
Miter Cutting

Ölçüler / Dimensions



| | | | | | | | | | | | | | |
|---|------------|---|------------|---|------------|---|-------------|---|------------|---|------------|------|------------|
| A | 1210 mm | B | 2190 mm | C | 1140 mm | D | 2705 mm | E | 740 mm | F | 525 mm | hmax | 1830 mm |
| | 47.64 inch | | 86.22 inch | | 44.88 inch | | 106.50 inch | | 29.13 inch | | 20.67 inch | | 72.04 inch |

| | | | |
|---|---|--|---|
| Otomatik Automatic | Şerit Ölçüsü Blade Dimension 27x0.9x3970 mm 1 x 0.035x156.29 inch | Şerit Motoru Blade Motor 2.2kw-1500 d/dk 2.95hp-1500 rpm | Sürücü Motor Feeding Motor 0.37kW - 925d/dk 0.49hp - 925 rpm |
| Hidrolik Motor Hydraulic Pump Motor 0.75kw-1400 d/dk 1hp-1400 rpm | Soğutucu Motor Cooling Liquid Motor 0.12kw-3000d/dk 0.16hp-3000 rpm | Voltaj Voltage 400 V 400 V | Maksimum Güç Maximum Power 3.44 kW 4.61 hp |
| Kesme Hızı Cutting Speed 15m/dk- 49 ft/min 130 m/dk- 426 ft/min | Ağırlık Weight 850 kg 1873 lbs | Malzeme Sıkma Sistemi Material Clamping System Hidrolik Hydraulic | Şerit Germe Sistemi Blade Tensioning System Hidromekanik Hydramechanic |

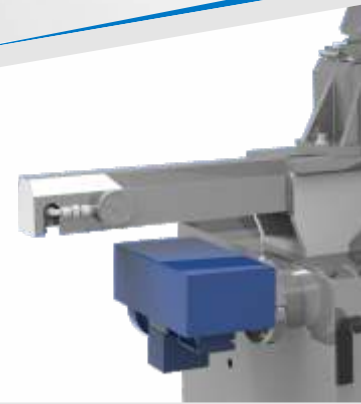
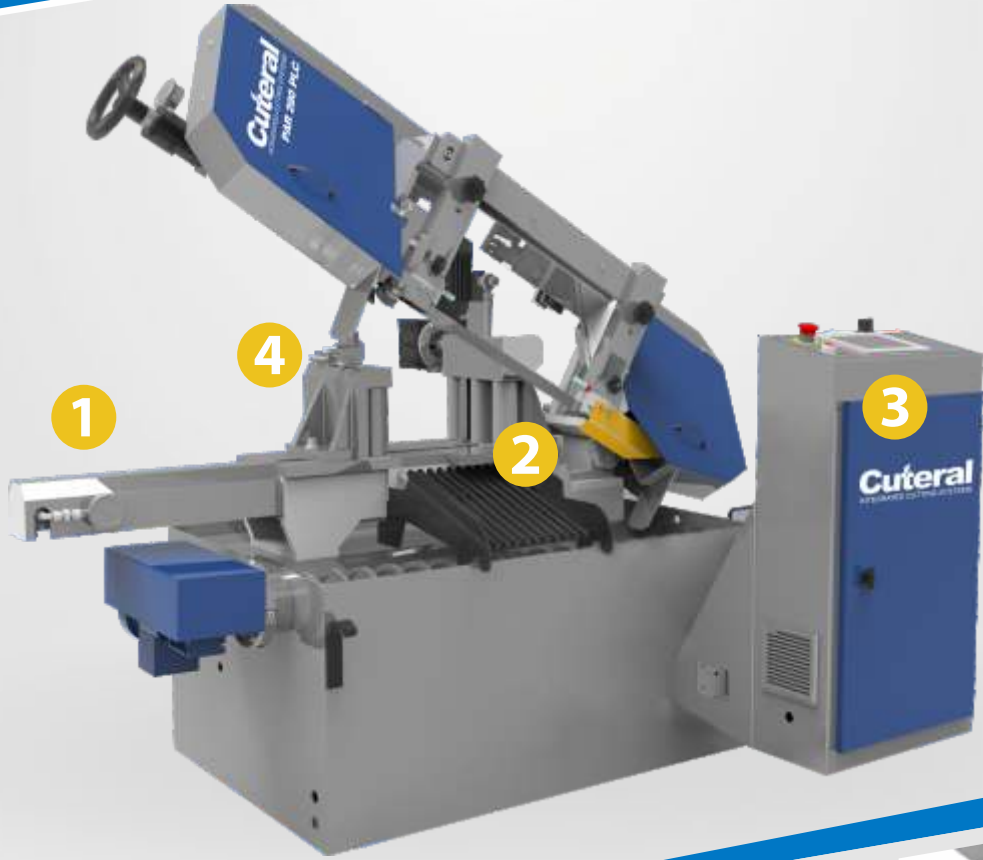
| | | | | | | | | | |
|-----------------------------------|-----------------------------------|-------------|-----|-----|-----|-----------------------------------|----------------------------------|----------------------------------|-----|
| Kesim Kapasitesi Cutting Capacity | Kesim Kapasitesi Cutting Capacity | mm inch | 60° | 45° | 30° | 0° | 15° | 45° | 60° |
| 250 mm 9.84 inc | 290 mm 11.42 inc | ● ■ □ | | | | 280 mm 11.02 inch | 240 mm 9.45 inch | 180 mm 7.09 inch | |
| | | | | | | 250 x 250 mm 9.84 x 9.84 inch | 210 x 210 mm 8.27 x 8.27 inch | 180 x 180 mm 7.09 x 7.09 inch | |
| | | | | | | 150 x 290 mm 5.91 x 11.42 inch | 200 x 230 mm 7.87 x 9.06 inch | 120 x 180 mm 4.72 x 7.09 inch | |

PAR 280 PLC

**Tam Otomatik PLC Kontrollü
Testere Tezgahı**

Full Automatic PLC Control Bandsaw Machine

Cuteral
INTEGRATED CUTTING SYSTEMS



1

**MALZEME SIKMA
SİSTEMİ**
*Material Clamping
System*

2

**MALZEME SÜRME
SİSTEMİ**
Clamping System

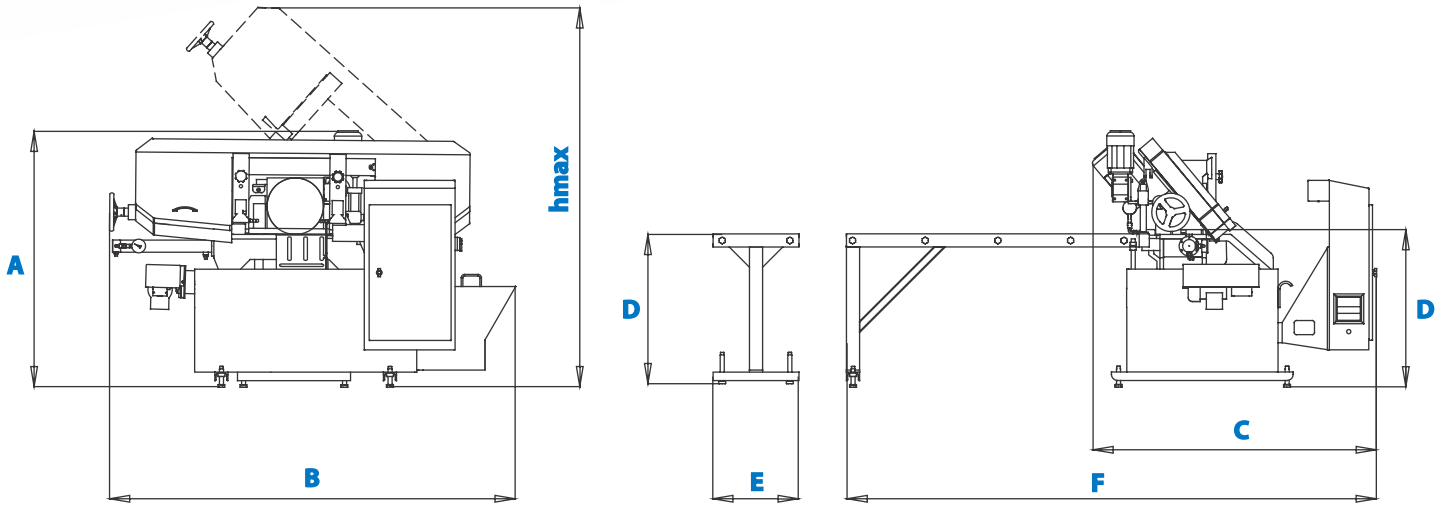
3

KUMANDA PANELİ
Control Panel

4

**DAYAMASIZ
HASSAS KESİM**
Accurate Cutting

Ölçüler / Dimensions



| | | | | | | | | | | | | | |
|---|-----------------------|---|-----------------------|---|-----------------------|---|----------------------|---|----------------------|---|------------------------|------|-----------------------|
| A | 1215 mm 47.83 inch | B | 2010 mm 79.13 inch | C | 1410 mm 55.51 inch | D | 750 mm 29.53 inch | E | 525 mm 20.67 inch | F | 2630 mm 103.54 inch | hmax | 1850 mm 72.83 inch |
|---|-----------------------|---|-----------------------|---|-----------------------|---|----------------------|---|----------------------|---|------------------------|------|-----------------------|

| | | | |
|--|--|---|---|
| PLC Otomatik Automatic | Şerit Ölçüsü Blade Dimension 27x0.9x3670 mm 1 x 0.035x144.5 inch | Şerit Motoru Blade Motor 2.2kw-1500 d/dk 2.95hp-1500 rpm | Sürücü Motor Feeding Motor 0.37 kW / 925 d/dk 0.49 hp / 925 rpm |
| Hidrolik Motor Hydraulic Pump Motor 0.75kw-1400 d/dk 1hp-1400 rpm | Soğutucu Motor Cooling Liquid Motor 0.12kw-3000d/dk 0.16hp-3000 rpm | Voltaj Voltage 400 V 400 V | Maksimum Güç Maximum Power 3.62 kW 4.85 hp |
| Kesme Hızı Cutting Speed 15m/dk- 49 ft/min 130 m/dk- 426 ft/min | Ağırlık Weight 870 kg 1918 lbs | Talaş Konveyörü M Chip Conv. M. 0.18KW -1500 d/dk 0.24hp-1500rpm | Şerit Germe Sistemi Blade Tensioning System Hidromekanik Hydramechanic |

| | | | | | | | | | |
|--|--|--|--|---|--|--|---|--|--|
| Kesim Kapasitesi Cutting Capacity 280 mm 11.02 inch | Kesim Kapasitesi Cutting Capacity 290 mm 11.42 inch | 90° | 60° | 45° | 30° | 0° | 15° | 25° | 60° |
| Kesim Kapasitesi Cutting Capacity 280 mm 11.02 inch | Kesim Kapasitesi Cutting Capacity 290 mm 11.42 inch | Kesim Kapasitesi Cutting Capacity 280 mm 11.02 inch | Kesim Kapasitesi Cutting Capacity 250 x 250 mm 9.84 x 9.84 inch | Kesim Kapasitesi Cutting Capacity 150 x 290 mm 5.91 x 11.42 inch | Kesim Kapasitesi Cutting Capacity 280 mm 11.02 inch | Kesim Kapasitesi Cutting Capacity 250 x 250 mm 9.84 x 9.84 inch | Kesim Kapasitesi Cutting Capacity 150 x 290 mm 5.91 x 11.42 inch | Kesim Kapasitesi Cutting Capacity 280 mm 11.02 inch | Kesim Kapasitesi Cutting Capacity 280 mm 11.02 inch |

PSM 350 U

Yarı Otomatik Testere Tezgahı
Semi Automatic Bandsaw Machine

Cuteral
INTEGRATED CUTTING SYSTEMS



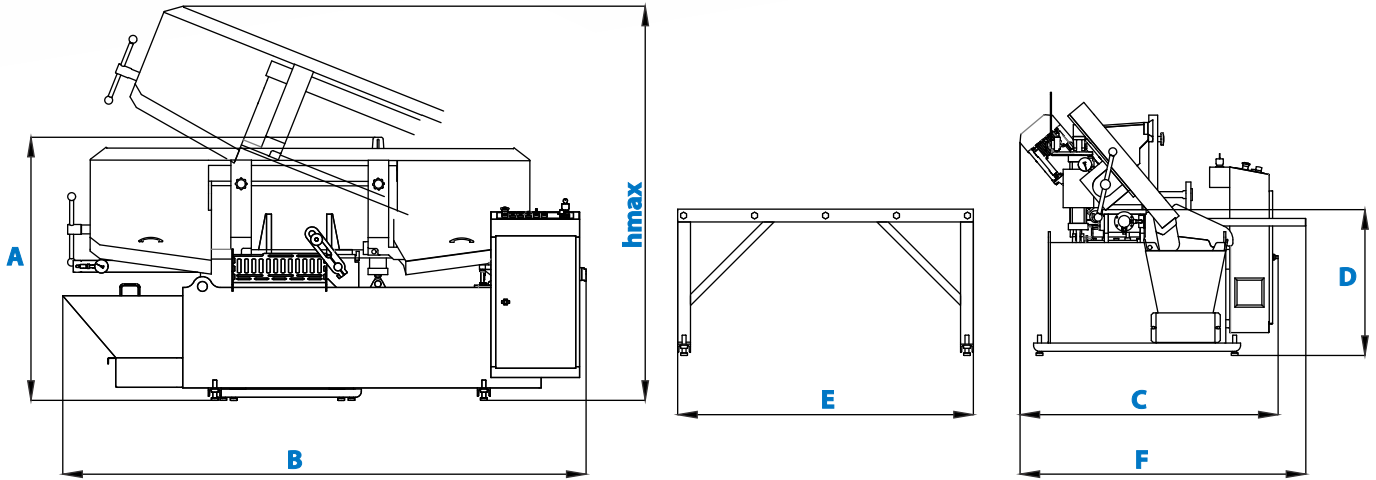
1 MALZEME SIKMA
SİSTEMİ
Material Clamping
System

2 ŞERİT GERDİRME
SİSTEMİ
Blade Tensioning
System

3 KUMANDA PANELİ
Control Panel

4 AÇILI KESİM
Miter Cutting

Ölçüler / Dimensions



| | | | | | | | | | | | | | |
|----------|-----------------------|----------|------------------------|----------|-----------------------|----------|----------------------|----------|-----------------------|----------|-----------------------|-------------|-----------------------|
| A | 1335 mm 52.56 inch | B | 2655 mm 104.53 inch | C | 1310 mm 51.57 inch | D | 740 mm 29.13 inch | E | 1500 mm 59.06 inch | F | 1450 mm 57.09 inch | hmax | 2000 mm 78.74 inch |
|----------|-----------------------|----------|------------------------|----------|-----------------------|----------|----------------------|----------|-----------------------|----------|-----------------------|-------------|-----------------------|

| | | | |
|--|--|--|---|
| Yarı Otomatik Semi Automatic | Şerit Ölçüsü Blade Dimension 41x1.3x4635 mm 1 1/2 x 0.050x182.4 inch | Şerit Motoru Blade Motor 4kW-1500d/dk 5.36 hp 1500 rpm | Sürücü Motor Feeding Motor Manual Manual |
| Hidrolik Motor Hydraulic Pump Motor 0.75kw-1400 d/dk 1hp-1400 rpm | Soğutucu Motor Cooling Liquid Motor 0.12kW 3000d/dk 0.16hp - 3000 rpm | Voltaj Voltage 400 V 400 V | Maksimum Güç Maximum Power 4.87 kW 6.53 hp |
| Kesme Hızı Cutting Speed 15 m/dk- 49 ft/min 100 m/dk- 328 ft/min | Ağırlık Weight 1200 kg 2645 lbs | Malzeme Sıkma Sistemi Material Clamping System Hidrolik Hydraulic | Şerit Germe Sistemi Blade Tensioning System Hidromekanik Hydramechanic |

| | | | | | | | | | |
|--|--|-----------------------------------|------------------------------------|----------------------|------------------------------------|----------------------|------------------------------------|-----------------------------------|-----|
| Kesim Kapasitesi Cutting Capacity 350 mm 13.78 inch | Kesim Kapasitesi Cutting Capacity 400 mm 15.75 inch | 90° | 60° | 45° | 30° | 0° | 15° | 45° | 60° |
| 300 mm 11.81 inch | 280 x 280 mm 11.02 x 11.02 inch | 350 mm 13.78 inch | 350 x 350 mm 13.78 x 13.78 inch | 350 mm 13.78 inch | 350 x 350 mm 13.78 x 13.78 inch | 350 mm 13.78 inch | 350 x 350 mm 13.78 x 13.78 inch | 210 x 400 mm 8.27 x 15.75 inch | |
| 200 x 300 mm 7.87 x 11.81 inch | 260 x 350 mm 10.24 x 13.78 inch | 210 x 400 mm 8.27 x 15.75 inch | | | | | | | |

PSM 350 M

Yarı Otomatik Açılı Testere Tezgahı
Semi Automatic Miter Bandsaw Machine

Cuteral
INTEGRATED CUTTING SYSTEMS



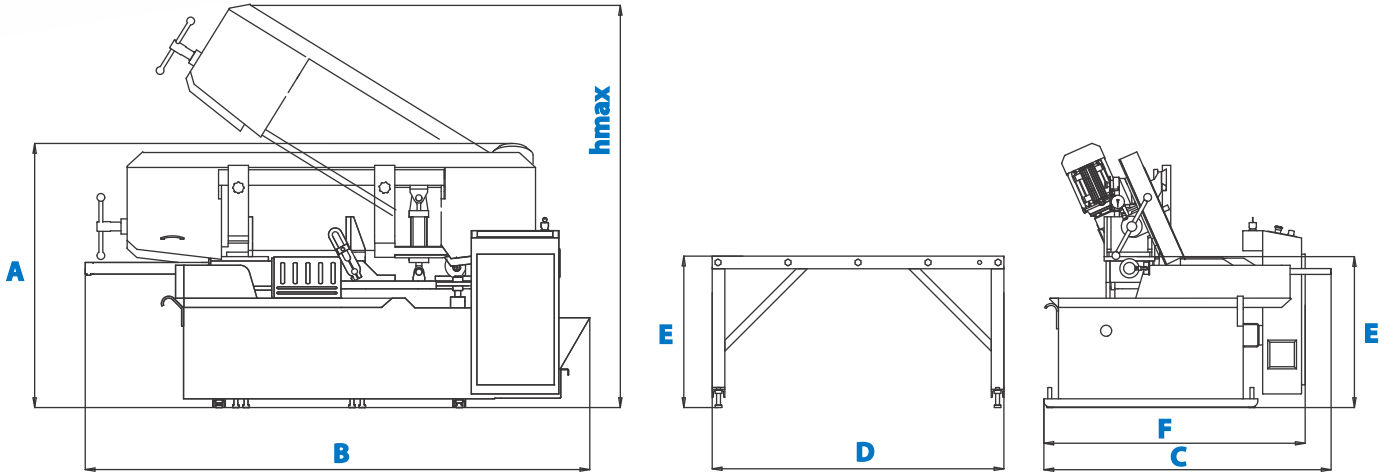
1 **MALZEME SIKMA SİSTEMİ**
Material Clamping System

2 **ŞERİT GERDİRME SİSTEMİ**
Blade Tensioning

3 **KUMANDA PANELİ**
Control Panel

4 **AÇILI KESİM**
Miter Cutting

Ölçüler / Dimensions



| | | | | | | | | | | | | | |
|----------|-----------------------|----------|------------------------|----------|-----------------------|----------|-----------------------|----------|----------------------|----------|-----------------------|-------------|-----------------------|
| A | 1360 mm 53.54 inch | B | 2600 mm 102.36 inch | C | 1480 mm 58.27 inch | D | 1500 mm 59.06 inch | E | 780 mm 30.71 inch | F | 1355 mm 53.35 inch | hmax | 2080 mm 81.89 inch |
|----------|-----------------------|----------|------------------------|----------|-----------------------|----------|-----------------------|----------|----------------------|----------|-----------------------|-------------|-----------------------|

| | | | |
|--|---|---|--|
| Yarı Otomatik Semi Automatic | Şerit Ölçüsü Blade Dimension 34x1.1x4570 mm 1 1/4 x 0.042x180 inch | Şerit Motoru Blade Motor 4 Kw-1500 d/dk 5.36hp -1500 rpm | Sürücü Motor Feeding Motor Manuel Manual |
| Hidrolik Motor Hydraulic Pump Motor 0.75kW-1400d/dk 1 hp- 1400 rpm | Soğutucu Motor Cooling Liquid Motor 0.12kW 3000d/dk 0.16hp - 3000 rpm | Voltaj Voltage 400 V 400 V | Maksimum Güç Maximum Power 4.87 kW 6.5 HP |
| Kesme Hızı Cutting Speed 15 m/dk- 49 ft/min 100 m/dk- 328 ft/min | Ağırlık Weight 1150 kg 2535 lbs | Malzeme Sıkma Sistemi Material Clamping System Hidrolik Hydraulic | Şerit Germe Sistemi Blade Tensioning System Hidromekanik Hydramechanic |

| | | | | | | | | | |
|---|---|----------------------|------------------------------------|------------------------------------|------------------------------------|----------------------|------------------------------------|----------------------------------|-----------------------------------|
| Kesim Kapasitesi Cutting Capacity 350 mm 13.78 inch | Kesim Kapasitesi Cutting Capacity 460 mm 18.11 inch | 90° | 60° | 45° | 30° | 0° | 15° | 45° | 60° |
| 350 mm 13.78 inch | 460 mm 18.11 inch | 350 mm 13.78 inch | 350 x 350 mm 13.78 x 13.78 inch | 350 x 350 mm 13.78 x 13.78 inch | 350 x 460 mm 13.78 x 18.11 inch | 350 mm 13.78 inch | 350 x 350 mm 13.78 x 13.78 inch | 250 x 250 mm 9.84 x 9.84 inch | 250 x 300 mm 9.84 x 11.81 inch |

PAR 350 U

Tam Otomatik Testere Tezgahı
Full Automatic Bandsaw Machine

Cuteral
INTEGRATED CUTTING SYSTEMS



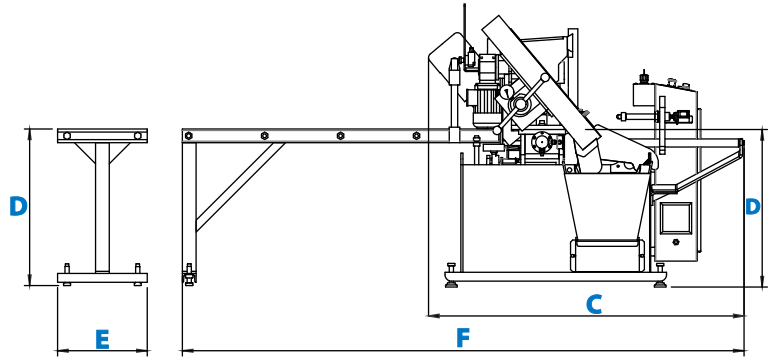
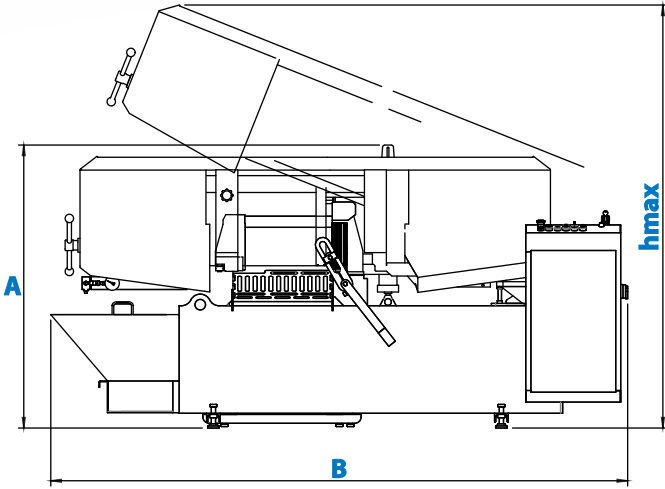
1 **MALZEME SIKMA SİSTEMİ**
Material Clamping System

2 **KUMANDA PANELİ**
Control Panel

3 **MENGENE SİSTEMİ**
Clamping System

4 **MALZEME SÜRME SİSTEMİ**
Material Feeding System

Ölçüler / Dimensions



| | | | | | | | | | | | | | |
|---|-----------------------|---|------------------------|---|-----------------------|---|----------------------|---|----------------------|---|------------------------|------|-----------------------|
| A | 1340 mm 52.76 inch | B | 2735 mm 107.68 inch | C | 1465 mm 57.68 inch | D | 750 mm 29.53 inch | E | 525 mm 20.67 inch | F | 2640 mm 103.94 inch | hmax | 2010 mm 79.13 inch |
|---|-----------------------|---|------------------------|---|-----------------------|---|----------------------|---|----------------------|---|------------------------|------|-----------------------|

| | | | |
|--|---|--|---|
| Otomatik Automatic | Şerit Ölçüsü Blade Dimension 41x1.3x4635 mm 1 1/2 x 0.050x182.4 inch | Şerit Motoru Blade Motor 4 kW-1500 d/dk 5.36 hp /1500 rpm | Sürücü Motor Feeding Motor 0.37kW - 925 d/dk 0.49hp - 925 rpm |
| Hidrolik Motor Hydraulic Pump Motor 0.75kW-1400 d/dk 1hp-1400 d/dk | Soğutucu Motor Cooling Liquid Motor 0.12kW 3000d/dk 0.16hp - 3000 rpm | Voltaj Voltage 400 V 400 V | Maksimum Güç Maximum Power 5.24 kW 7 hp |
| Kesme Hızı Cutting Speed 15 m/dk- 49 ft/min 100 m/dk- 328 ft/min | Ağırlık Weight 1200 kg 2645 lbs | Malzeme Sıkma Sistemi Material Clamping System Hidrolik Hydraulic | Şerit Germe Sistemi Blade Tensioning System Hidromekanik Hydramechanic |

| | | | | | | | | | |
|--|--|-----|-----|-----|-----|------------------------------------|-----|-----|-----|
| Kesim Kapasitesi Cutting Capacity 350 mm 13.779 inch | Kesim Kapasitesi Cutting Capacity 400 mm 15.748 inch | 90° | 60° | 45° | 30° | 0° | 15° | 35° | 60° |
| | | | | | | 350 mm 13.78 inch | | | |
| | | | | | | 350 x 350 mm 13.78 x 13.78 inch | | | |
| | | | | | | 200 x 400 mm 7.87 x 15.75 inch | | | |

PAR 350 M

Tam Otomatik Açılı Testere Tezgahı

Full Automatic Miter Bandsaw Machine

Cuteral
INTEGRATED CUTTING SYSTEMS



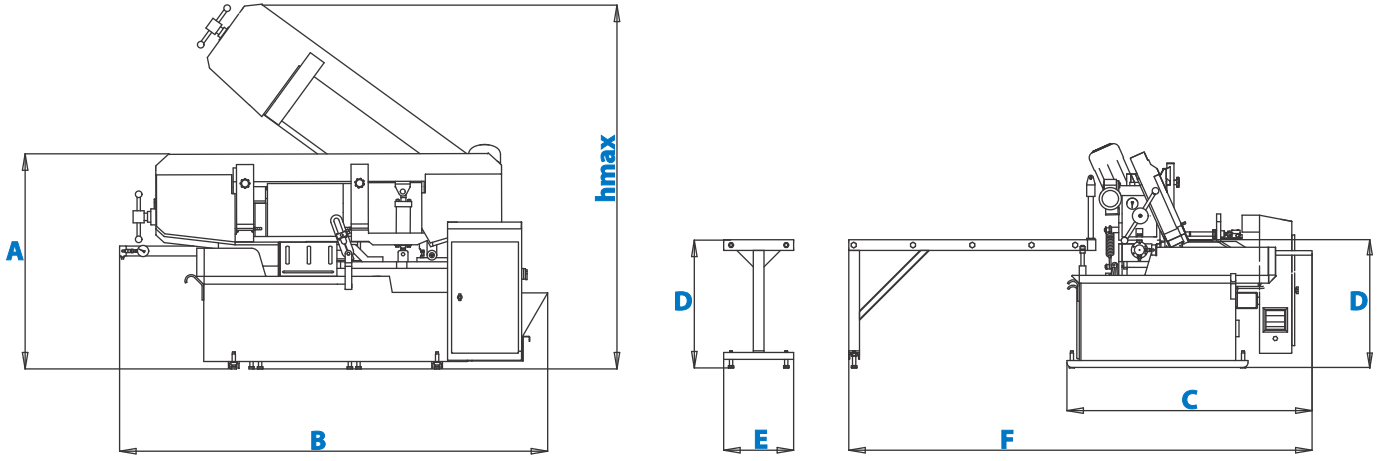
1 MALZEME SIKMA SİSTEMİ
Material Clamping System

2 MALZEME SÜRME SİSTEMİ
Material Feeding System

3 AÇI KİLİTLEME
Miter Fixing

4 DÖNER GÖBEK SİSTEMİ
Miter Cutting

Ölçüler / Dimensions



| | | | | | | | | | | | | | |
|----------|-----------------------|----------|------------------------|----------|-----------------------|----------|----------------------|----------|----------------------|----------|------------------------|-------------|-----------------------|
| A | 1370 mm 53.94 inch | B | 2600 mm 102.36 inch | C | 1480 mm 58.27 inch | D | 775 mm 30.51 inch | E | 525 mm 20.67 inch | F | 2800 mm 110.24 inch | hmax | 2150 mm 84.65 inch |
|----------|-----------------------|----------|------------------------|----------|-----------------------|----------|----------------------|----------|----------------------|----------|------------------------|-------------|-----------------------|

| | | | |
|--|---|--|---|
| Otomatik Automatic | Şerit Ölçüsü Blade Dimension 34x1.1x4570 mm 1 1/4x0.042x180 inch | Şerit Motoru Blade Motor 4 Kw-1500 d/dk 5.36hp -1500rpm | Sürücü Motor Feeding Motor 0.37kW - 925d/dk 0.49hp - 925rpm |
| Hidrolik Motor Hydraulic Pump Motor 0.75kW-1400d/dk 1 hp- 1400 rpm | Soğutucu Motor Cooling Liquid Motor 0.12kW 3000d/dk 0.16hp - 3000 rpm | Voltaj Voltage 400 V 400 V | Maksimum Güç Maximum Power 5.24 kW 7 hp |
| Kesme Hızı Cutting Speed 15 m/dk- 115ft/min 100 m/dk-230 ft/min | Ağırlık Weight 1150 kg 2335 lbs | Malzeme Sıkma Sistemi Material Clamping System Hidrolik Hydraulic | Şerit Germe Sistemi Blade Tensioning System Hidromekanik Hydramechanic |

| | | | | | | | | |
|---|---|-----|-----|-----|----|-----|-----|-----|
| Kesim Kapasitesi Cutting Capacity 350 mm 13.78 inch | Kesim Kapasitesi Cutting Capacity 460 mm 18.11 inch | 60° | 45° | 30° | 0° | 15° | 45° | 60° |
| | | | | | | | | |
| | | | | | | | | |

PAR 350 U PLC

Tam Otomatik PLC Kontrollü

Testere Tezgahı

Full Automatic PLC Control Bandsaw Machine

Cuteral
INTEGRATED CUTTING SYSTEMS



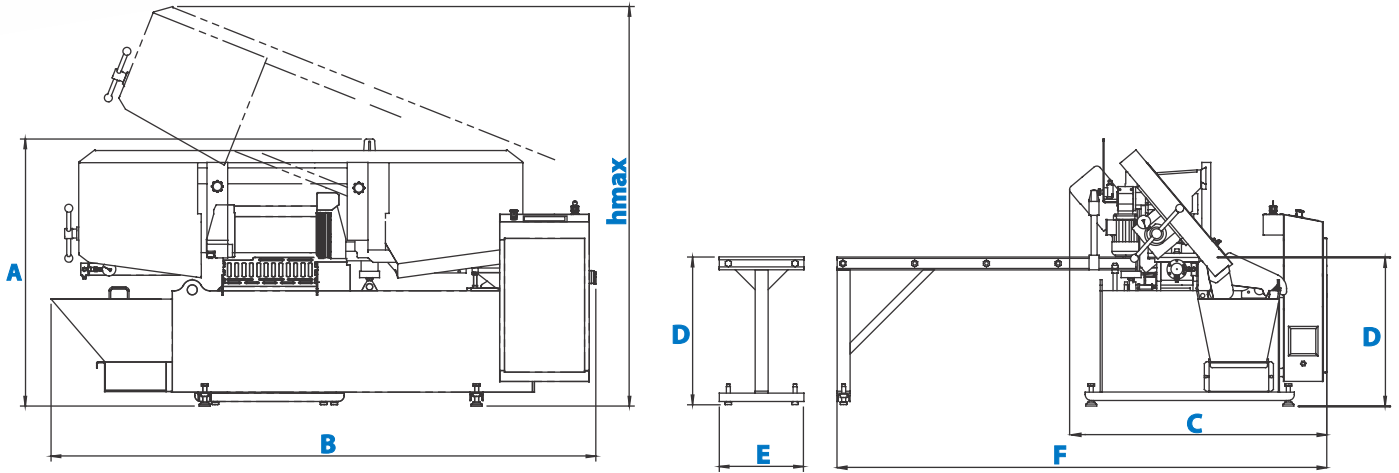
1 MALZEME SIKMA SİSTEMİ
Clamping System

2 MALZEME SÜRME SİSTEMİ
Material Feeding System

3 KUMANDA PANELİ
Control Panel

4 DAYAMASIZ HASSAS KESİM
Accurate Cutting

Ölçüler / Dimensions



| | | | | | | | | | | | | | |
|---|-----------------------|---|------------------------|---|-----------------------|---|----------------------|---|----------------------|---|-----------------------|------|-----------------------|
| A | 1340 mm 52.76 inch | B | 2735 mm 107.68 inch | C | 1275 mm 50.20 inch | D | 750 mm 29.53 inch | E | 525 mm 20.67 inch | F | 2490 mm 98.03 inch | hmax | 2010 mm 79.13 inch |
|---|-----------------------|---|------------------------|---|-----------------------|---|----------------------|---|----------------------|---|-----------------------|------|-----------------------|

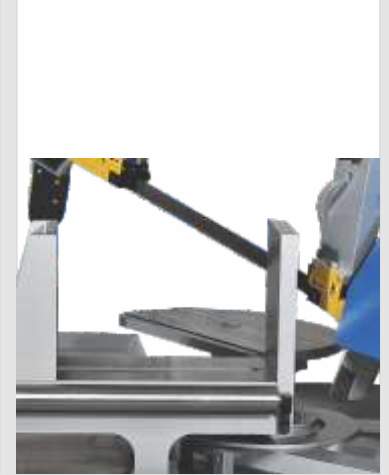
| | | | |
|--|--|--|---|
| PLC Otomatik Automatic | Şerit Ölçüsü Blade Dimension 41x1.3x4635 mm 1 1/2 x 0.050x182.4 inch | Şerit Motoru Blade Motor 4kW-1500 d/dk 5.36 hp 1500 rpm | Sürücü Motor Feeding Motor 0.37kW - 925d/dk 0.49hp - 925rpm |
| Hidrolik Motor Hydraulic Pump Motor 0.75kW-1400 d/dk 1hp-1400 rpm | Soğutucu Motor Cooling Liquid Motor 0.12kW 3000d/dk 0.16hp - 3000 rpm | Voltaj Voltage 400 V 400 V | Maksimum Güç Maximum Power 5.24 kW 7 hp |
| Kesme Hızı Cutting Speed 15 m/dk- 49 ft/min 100 m/dk- 328 ft/min | Ağırlık Weight 1200 kg 2645 lbs | Malzeme Sıkma Sistemi Material Clamping System Hidrolik Hydraulic | Şerit Germe Sistemi Blade Tensioning System Hidromekanik Hydramechanic |

| | | | | | | | | | |
|--|--|------------|-----|-----|-----|------------------------------------|-----|-----|-----|
| Kesim Kapasitesi Cutting Capacity 350 mm 13.78 inch | Kesim Kapasitesi Cutting Capacity 400 mm 15.75 inch | 90° | 80° | 45° | 30° | 0° | 15° | 45° | 60° |
| | | mm inch | | | | 350 mm 13.78 inch | | | |
| | | | | | | 350 x 350 mm 13.78 x 13.78 inch | | | |
| | | | | | | 200 x 400 mm 7.87 x 15.75 inch | | | |

PSM 420 / 600 M

Yarı Otomatik Açılı Testere Tezgahı
Semi Automatic Miter Bandsaw Machine

Cuteral
INTEGRATED CUTTING SYSTEMS



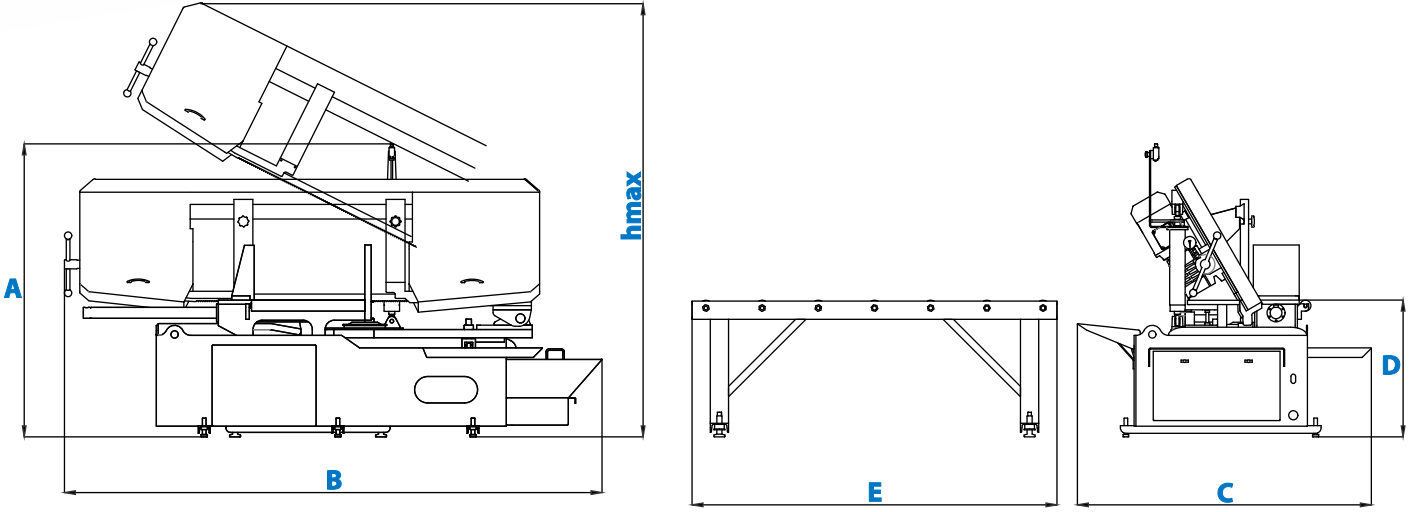
1 MALZEME SIKMA
SİSTEMİ
Clamping System

2 KUMANDA PANELİ
Control Panel

3 AÇI KİLİTLEME
Miter Fixing

4 AÇILI KESİM
Miter Cutting

Ölçüler / Dimensions



| | | | | | | | | | | | |
|----------|-----------------------|----------|------------------------|----------|-----------------------|----------|----------------------|----------|-----------------------|-------------|-----------------------|
| A | 1610 mm 63.39 inch | B | 2920 mm 114.96 inch | C | 1615 mm 63.58 inch | D | 750 mm 29.53 inch | E | 2000 mm 78.74 inch | hmax | 2380 mm 93.70 inch |
|----------|-----------------------|----------|------------------------|----------|-----------------------|----------|----------------------|----------|-----------------------|-------------|-----------------------|

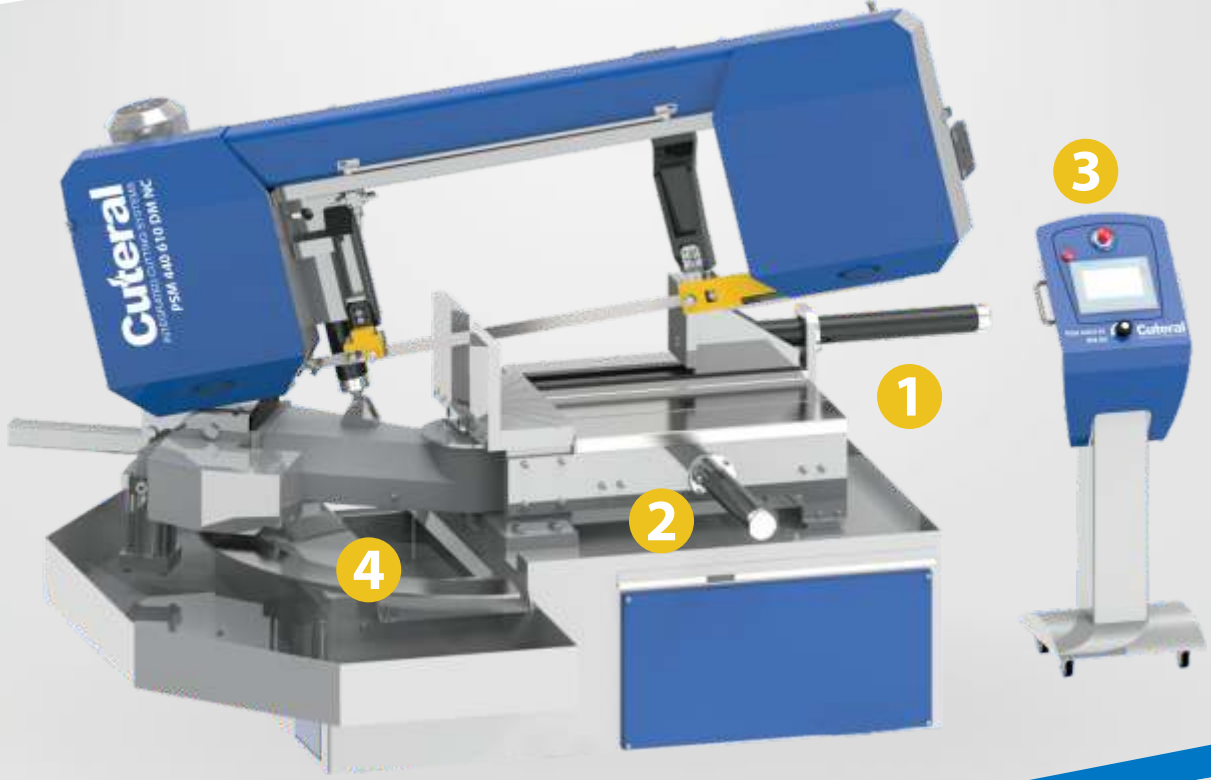
| | | | |
|--|--|--|---|
| Yarı Otomatik Semi Automatic | Şerit Ölçüsü Blade Dimension 41x1.3x5280 mm 1 1/2 x 0.050x207.8 inch | Şerit Motoru Blade Motor 4kW-1500 d/dk 5.36 hp 1500 rpm | Sürücü Motor Feeding Motor Manuel Manual |
| Hidrolik Motor Hydraulic Pump Motor 0.75kW-1400 d/dk 1hp-1400 rpm | Soğutucu Motor Cooling Liquid Motor 0.12kW 3000d/dk 0.16hp - 3000 rpm | Voltaj Voltage 400 V 400 V | Maksimum Güç Maximum Power 4.87 kW 6.53 hp |
| Kesme Hızı Cutting Speed 15 m/dk- 49 ft/min 100 m/dk- 328 ft/min | Ağırlık Weight 1500 kg 3306 lbs | Malzeme Sıkma Sistemi Material Clamping System Hidrolik Hydraulic | Şerit Germe Sistemi Blade Tensioning System Hidromekanik Hydramechanic |

| | | | | | | | | | | | |
|--|--|---------------------------------------|------------------------------------|------------------------------------|------------------------------------|------------------------------------|------------------------------------|------------------------------------|------------------------------------|------------------------------------|------------------------------------|
| Kesim Kapasitesi Cutting Capacity 420 mm 16.54 inch | Kesim Kapasitesi Cutting Capacity 600 mm 23.62 inch | mm inch 60° 45° 30° 0° | 330 mm 12.99 inch | 420 mm 16.54 inch | 420 mm 16.54 inch | 420 mm 16.54 inch | 420 mm 16.54 inch | 420 mm 16.54 inch | 420 mm 16.54 inch | 420 mm 16.54 inch | 420 mm 16.54 inch |
| 270 x 270 mm 10.63 x 10.63 inch | 420 x 420 mm 16.54 x 16.54 inch | 420 x 420 mm 16.54 x 16.54 inch | 420 x 420 mm 16.54 x 16.54 inch | 420 x 420 mm 16.54 x 16.54 inch | 420 x 420 mm 16.54 x 16.54 inch | 420 x 420 mm 16.54 x 16.54 inch | 420 x 420 mm 16.54 x 16.54 inch | 420 x 420 mm 16.54 x 16.54 inch | 420 x 420 mm 16.54 x 16.54 inch | 420 x 420 mm 16.54 x 16.54 inch | 420 x 420 mm 16.54 x 16.54 inch |
| 190 x 310 mm 7.48 x 12.20 inch | 250 x 500 mm 9.84 x 19.69 inch | 420 x 600 mm 16.54 x 23.62 inch | 420 x 600 mm 16.54 x 23.62 inch | 420 x 600 mm 16.54 x 23.62 inch | 420 x 600 mm 16.54 x 23.62 inch | 420 x 600 mm 16.54 x 23.62 inch | 420 x 600 mm 16.54 x 23.62 inch | 420 x 600 mm 16.54 x 23.62 inch | 420 x 600 mm 16.54 x 23.62 inch | 420 x 600 mm 16.54 x 23.62 inch | 420 x 600 mm 16.54 x 23.62 inch |

PSM 440 / 610 DM NC

Yarı Otomatik Çift Yön Açılı Testere Tezgahı
Semi Automatic Double Miter Bandsaw Machine

Cuteral
INTEGRATED CUTTING SYSTEMS



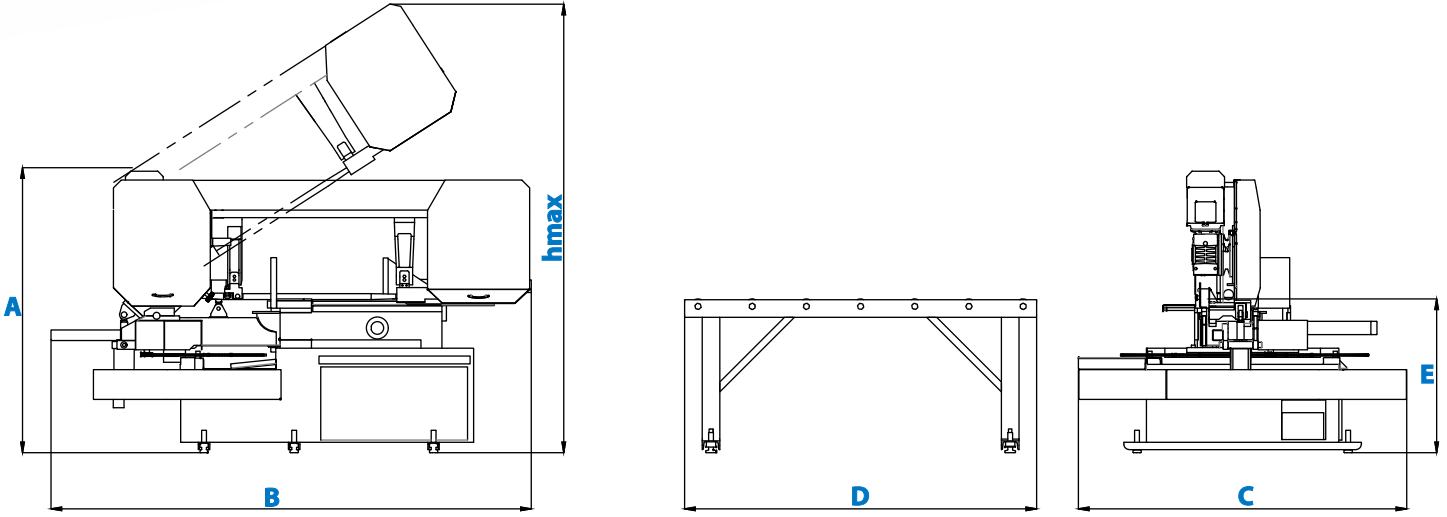
1 MALZEME SIKMA
SİSTEMİ
Clamping System

2 MENGENE
GEZDİRME SİSTEMİ
Movable Clamping
System

3 KUMANDA PANELİ
Control Panel

4 DÖNER GÖBEK
SİSTEMİ
Miter Cutting

Ölçüler / Dimensions



| | | | | | | | | | | | |
|----------|-----------------------|----------|------------------------|----------|-----------------------|----------|-----------------------|----------|----------------------|-------------|-----------------------|
| A | 1600 mm 62.99 inch | B | 2850 mm 112.20 inch | C | 1860 mm 73.22 inch | D | 2000 mm 78.74 inch | E | 860 mm 33.86 inch | hmax | 2535 mm 99.80 inch |
|----------|-----------------------|----------|------------------------|----------|-----------------------|----------|-----------------------|----------|----------------------|-------------|-----------------------|

| | | | |
|---|--|--|---|
| Otomatik Automatic | Şerit Ölçüsü Blade Dimension 34x1.1x5110 mm 1 1/4x0.042x201.1 inch | Şerit Motoru Blade Motor 4kw -1500 d/dk 5.36 hp - 1500rpm | Sürücü Motor Feeding Motor Manuel Manual |
| Hidrolik Motor Hydraulic Pump Motor 0.75 kw - 1400 d/dk 0.5 hp-1400 rpm | Soğutucu Motor Cooling Liquid Motor 0.12kw- 3000d/dk 0.16 hp -3000 rpm | Voltaj Voltage 400 V 400 V | Maksimum Güç Maximum Power 4.87 kw 6.53 hp |
| Kesme Hızı Cutting Speed 15 m/dk- 49 ft/min 100 m/dk- 328 ft/min | Ağırlık Weight 1680 kg 3703 lbs | Malzeme Sıkma Sistemi Material Clamping System Hidrolik Hydraulic | Şerit Germe Sistemi Blade Tensioning System Hidromekanik Hydramechanic |

| | | | | | | | | | |
|---|---|----------------|-----------------------------------|------------------------------------|------------------------------------|------------------------------------|------------------------------------|------------------------------------|------------------------------------|
| Kesim Kapasitesi Cutting Capacity 440 mm 17.32 inch | Kesim Kapasitesi Cutting Capacity 610 mm 24.02 inch | mm inch 90° | 60° 250 mm 9.84 inch | 45° 400 mm 15.75 inch | 30° 440 mm 17.32 inch | 0° 440 mm 17.32 inch | 15° 440 mm 17.32 inch | 45° 400 mm 15.75 inch | 60° 260 mm 10.24 inch |
| | | | 250 x 250 mm 9.84 x 9.84 inch | 380 x 380 mm 14.96 x 14.96 inch | 440 x 440 mm 17.32 x 17.32 inch | 440x 440 mm 17.32 x 17.32 inch | 440 x 440 mm 17.32 x 17.32 inch | 380 x 400 mm 14.96 x 15.75 inch | 250 x 260 mm 10.24 x 10.24 inch |
| | | | 440 x 240 mm 17.32 x 9.45 inch | 380 x 400 mm 14.96 x 15.75 inch | 440 x 500 mm 17.32 x 19.69 inch | 440 x 610 mm 17.32 x 24.02 inch | 440 x 500 mm 17.32 x 19.69 inch | 380 x 400 mm 14.96 x 15.75 inch | 440 x 240 mm 17.32 x 9.45 inch |