



**KERİMOĞLU**  
Otomotiv Sanayi Tic. Ltd. Şti.

[www.kerimoglu.com.tr](http://www.kerimoglu.com.tr)

• **Services**

- CNC Milling
- CNC Turning
- Contract Manufacturing
- Welding
- Assembly
- Product Development

Founded in Konya in 1992, our company continues its activities in the production of automotive spare parts and sub-industry products more than 20 years.

Our company operates in 2.000 m<sup>2</sup> indoor areas, our company moves forward with modern and innovative structure, advanced technology, continuous quality and qualified human resource.

Kerimoğlu provides exceptional parts and services to a wide array of customers, such as: the large machine shop that wanted a subcontracting partner, the OEM manufacturer who said his current machine shop vendor was booked months out, the aspiring businessman who wanted to get his product designed and into production and a host of others. We support customers across the board in various industries including automation, automotive, aerospace, medical, electronics and semiconductors.

Kerimoğlu provides the following services:

- CNC Milling
- CNC Turning
- Contract Manufacturing
- Welding
- Assembly
- Product Development

Our quality policy is to manufacture the product that entirely meets the expectations, economically, constantly and reliably and motivate our staff to work with "quality responsibility".

Our engineering and manufacturing expertise and quality of service are second to none. We provide volume contract manufacturing, importing, stocking and distributing standard items and special 'made-to-order' parts for original equipment manufacturers (OEM) and wholesalers across the globe.



Our production constitutes a large portion of the products we manufactured for domestic assembly plants. A few of these firms are; Alçelik Tümosan Inc., Hema End. Inc., Çukurova Machine (Çumitaş).

For individual bespoke orders or long-term volume contract manufacturing for OEM stock and supply partnerships, call us today and be assured that we will take pride in making sure you get what you need, when you need it.





Since 2012, our company has ISO 9001:2008 quality certificate. In accordance with customer demands, products are controlled in a plan. If necessary, products are exposed to special tests like final function test and delivered to the customer.

Accordingly, Quality Control Laboratory is founded in 2015. Interlude and final control of CNC machined products are carried out in our quality control lab.

Quality Control Process (from raw material to delivery)

1. Incoming Quality Control
2. In-process Quality Control
3. Outgoing Quality Control



**3 Coordinate Measuring Machine**

- Wenzel LH 87
- X = 800
- Y = 1000
- Z = 700 mm



**Cutting Machine**

- IMPRO Procult
- Metallographic Cutting Machine



**Rockwell Hardness Tester**

- HRC
- HRb



**Micro Vickers Hardness Testing Machine**

- Mitutoyo HM-210



**Surface Roughness Tester**

- Mitutoyo SJ-310
- Granit Ölçüm Standı



**Metallographic Microscope**

- Inverted Type
- Camera and Software



**Mounting Press**

- Promount
- H



**Polishing Machine**

- IMPRO Protol VTD
- Metalografic Grinding/Polishing Machine



**Victor  
CNC Vertical  
Machining  
Center**

- 1000 mm
- ø250 4. Axis Rotary Table
- Coolant Through Spindle



**Quaser  
CNC Vertical  
Machining  
Center**

- 1000 mm
- ø300 4. Axis Rotary table
- Coolant Through Spindle



**Accuway  
UM-110  
CNC Vertical  
Machining Center**

- 1000 mm



**Kafo  
CNC  
Vertical  
Machining Center**

- 1100 mm
- ø250 4. Axis divisor
- Coolant Through Spindle



**LER  
TCY200  
Y Axis  
CNC Lathe**

- 10 inch Lathe
- With C and Y axis



**Pro-Seiki  
CNC Lathe**

- Gang type 6 inch lathe
- Over the Shaft Y axis live set
- Automatic bar feeder



**Accuway  
CNC Lathe**

- 10 inch Lathe
- Length: 600 mm



**Accuway  
CNC Lathe**

- 8 inch lathe
- Length: 400 mm



**Victor  
CNC Lathe**

- 10 inch lathe
- Length: 600 mm
- 2 Units



**Victor  
CNC Lathe  
(2015)**

- 10 inch Lathe
- 1100 mm
- 2 Units



**Victor  
CNC Lathe**

- 8 inch lathe
- Length : 400 mm
- 2 Units



**Universal  
Lathe**

- ø500 turning
- Length : 2000 mm



**Electrical  
Saw**

- 2 Units



**Thread Rolling  
Machine**

- 2 Units



**Column  
Drill**

- 5 Units with  
different features



**Gear Hobbing  
Machine**

- Vertical
- 2 Units



**Gear Hobbing  
Machine**

- horizontal
- 2 units



**Press**

- Assembly Press
- 2 Units



**Grinding  
Machines**

- 1 Unit Grinding  
(With Measuring  
System)
- 1 Unit centerless  
Grinding

**Other  
Machines**

- Horizontal Broaching Machine
- Fellows Gear Shaping Machine
- Arc Welding (MIG) 2 Units
- Automatic Positioner 2 Units
- Argon Welding (TIG)
- Tool Sharpening Machine

KOS0048



DIREKSİYON MILİ (BOY:670)

KOS0110



KOLON - HIDROLİK DIREKSİYON  
OEM: 5121922

KOS0390



DIREKSİYON KOLONU (506  
SERİSİ)

KOS0511



DIREKSİYON KARKAS KOMPLESİ

KOS0537



DIREKSİYON KOLONU

KOS0562



DIREKSİYON BORUSU KOMPLESİ

KOS0614



SABİT DIREKSİYON KOLONU  
(L336)

KOS0617



BOY AYARLI DIREKSİYON  
KOLONU (BAHCE)

KOS0618



BOY VE ACI AYARLI DIREKSİYON  
KOLONU

KOS0624



AMORTİSORLU TIP DIREKSİYON  
KOLONU

KOS0631



KOLON MF 285 HİDROSTATİK

KOS0632



KOLON TAFE HİDROSTATİK

KOS0633



KOLON FORD 5000 HIDROS.

KOS0653



DIREKSİYON MILİ (BOY: 785)

KOS0655



DIREKSİYON KOLON KOMPLESİ

KOS0656



DIREKSİYON KOLONU KOMPLESİ

KOS0658

888/940 DIREKSİYON KOLONU  
KOMPLESİ

KOS0659

TSN-03  
DIREKSİYON KOLONU ACILI  
(290-4)

KOS0660

OTPM 157  
DIREKSİYON KOLONU (DIN 5482  
B17X14 - 9 DIS)

KOS0166



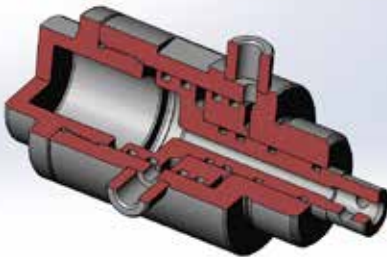
KARİSTİRİCİ MIL

KOS0389



TEK ETKİLİ SİLİNDİR

KOS0412

PTO KİLİTLEMİ KOMPLESİ  
(ÇİFT GİRİŞ)

KOS0418

DEBRİYAJ ÇUBUKLU SİSTEM  
OEM: 4998972-2

KOS0419



KOLTUK PARÇASI

KOS0437



SAFT KOMPLE (FORKLIFT)

KOS0442



HID. FREN MERKEZI KOMPLE  
OEM: 5103927

KOS0499



YAN RULMAN KOMPLESİ

KOS0569



GUC AKTARMA MILI KOMPLE

KOS0579



Ø75 MAKARA GOBEGI (TAKIM)

KOS0053



ITICI - MANIVELA 16+4 VITES

KOS0091



CATAL - TAKVIYE VITES

KOS0092



CATAL - PTO KUMANDA

KOS0098



ITICI - TAKVIYE VITES MILI

KOS0100



MALE END FITTING

KOS0112



KOL - GERI VITES KUMANDA

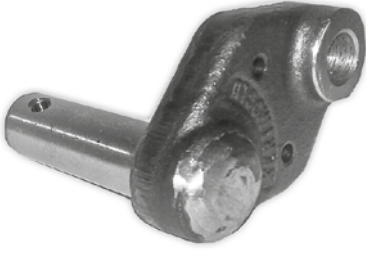
KOS0120



MANIVELA KOMPLE - KUYRUK  
MILI IC



KOS0122



MESNET KOMP. - ON  
DIFERANSİYEL  
OEM: 5101312

KOS0123



MESNET PTO - KUMANDA KOLU

KOS0165



İNCE/KALIN OYUKLU DOKUM

KOS0167



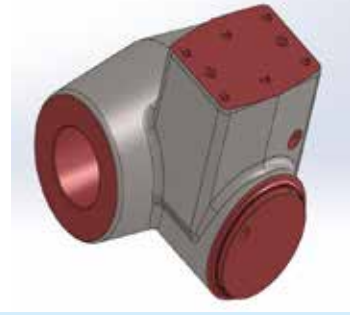
DOKUM (ESKİ VE YENİ MODEL)

KOS0341



BENNES JPM - TOPUZ

KOS0342



PAKOMA DOVME

KOS0357



KUCUK KASIK (HASSAS DOKUM)

KOS0358



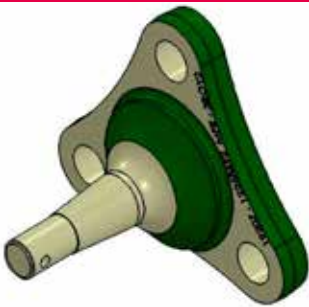
BUYUK KASIK (SFERO DOKUM)

KOS0359



SAFT YATAGI

KOS0428



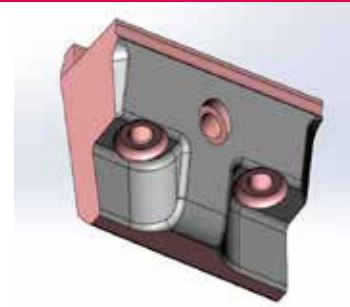
SHOCK MOUNT 8692

KOS0443



KAFA YARIMAYLI M88X2 DOVME  
(HAVA ALMASIZ)

KOS0456



GLB01 DOVME

KOS0468



FJR03 - EYE AC-Ø32

KOS0488



ATL-01 DOVME

KOS0522



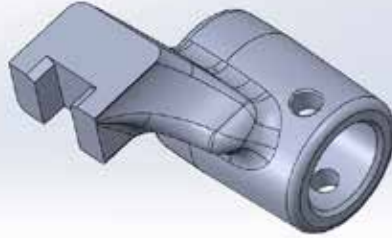
CATAL - DEBRİYAJ AYIRMA

KOS0523



CATAL - DEBRİYAJ AYIRMA

KOS0524



SURGU - 1/2 VITES DISLISI

KOS0526



SURGU - 2/3 TAKVIYE DISLISI

KOS0607



CATAL - DEBRİYAJ AYIRMA

KOS0649



CATAL - ARKA KAPAK PTO

KOS0651



RING NUT M70 X 2

KOS0654



EKSANTRİK DOKUM

KOS0268



DEBRİYAJ BASKISI

KOS0284



ORTA SİLİNDİR VE SIDE SHIFT

KOS0314



İLAVE KASNAK Ø140 İKİ DİLİMLİ

KOS0318



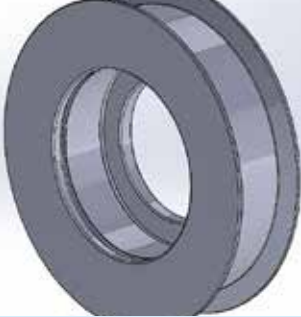
FAN KASNAGI Ø126

KOS0338



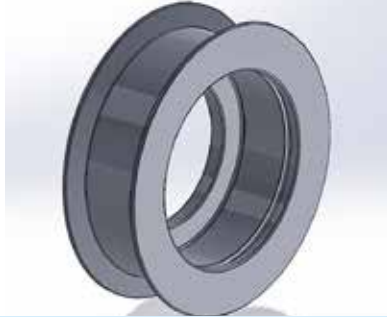
GERGİ KASNAK RULMAN SETİ

KOS0476



ZİNCİR MAKARASI

KOS0477



ZİNCİR MAKARASI

KOS0491



TEK DİLİMLİ KASNAK (Ø165,5)

KOS0634



MOTOR KAYISI KASNAGI (1 KANAL)

KOS0635



DEVİR DAIM KASNAGI (2 KANAL)

KOS0636



MOTOR KAYISI KASNAGI (2 KANAL)

KOS0637



DEVİR DAIM KASNAGI (3 KANAL)

KOS0131

PİM YAN ASKI KOLU UST  
BAĞLANTI (BOY: 74)

KOS0158



BİLEZİK - MESNET

KOS0269



SECICI CUBUK

KOS0277



BAGLANTI PIMI

KOS0309



BAGLANTI PIMI

KOS0310



BAGLANTI PIMI

KOS0311



BAGLANTI PIMI

KOS0339



BAGLANTI PIMI

KOS0349



MİL - İLERİ/GERİ 16+16 (H-L)

KOS0387



DOVME SAPKALI - 3 DELİK

KOS0388



DOVME SAPKALI - KAMA KANALLI

KOS0392



TORNALAMA - YON VENTİL MİLİ

KOS0400



KISA MİL (FOSFATSIZ)

KOS0410



KAPALI DEVRE SINIR KONTROL  
VENTİL MİLİ (TORNALAMA)

KOS0411



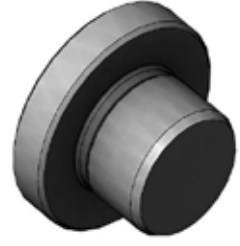
MİL (BOY: 90)

KOS0440



PLANET DISLI PİMİ

KOS0441



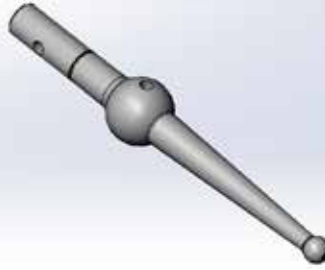
DAYAMA PARÇASI

KOS0449



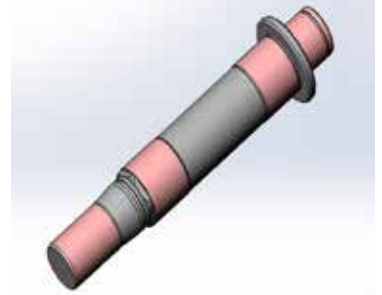
VİTES BLOĞU - ARA PARÇASI

KOS0450



VİTES KUMANDA KOLU

KOS0497



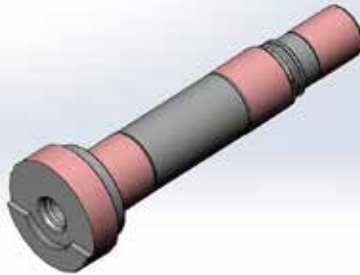
MİL CİFT DISLI (6 KOSELI -  
BOY: 185)

KOS0506



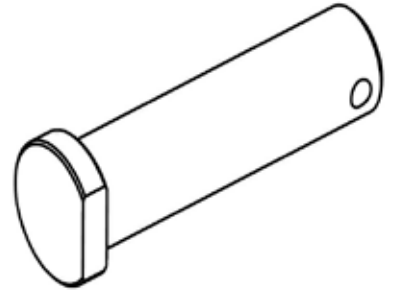
BAGLANTI PİMİ

KOS0513



MİL - CİFT DISLI

KOS0521



OPTİMA YAN ÇEKİ KOL PİMİ  
(BOY:76)

KOS0550



DOVME SAPKALI - UZUN - KAMA  
KANALLI

KOS0551



6 DELIKLI FLANS (Ø156 - BOY:25)

KOS0563



KISA MİL (Ø18 - L~56,5)

KOS0592



BAGLANTI PİMİ

KOS0608



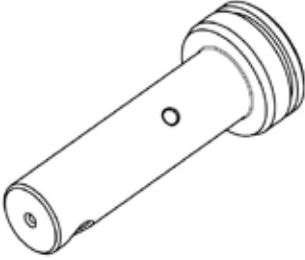
PİM - ARKA AKS PLANET (BOY: 98)

KOS0616



DIS KOL PİMİ (4140)

KOS0639



MİL - GERİ VİTES

KOS0647



MİL (BOY: 96,50)

KOS0072



M12 SOL DIS CIVATA

KOS0079



ARA PARÇASI - AGIRLIK

KOS0147



VIDA - ARKA AGIRLIK - IC  
OEM: 44018046

KOS0148



VIDA - ARKA AGIRLIK - DIS  
OEM: 44018047

KOS0150



SOMUN M75X2

KOS0152



KAMALI SOMUN

KOS0217



SİLİNDİR SOMUNU

KOS0320



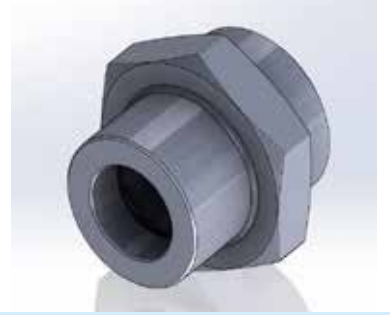
TAPA - M28 X 1.5

KOS0347



SOMUN

KOS0362



ADAPTOR

KOS0367



17AA PASLANMAZ UZUN RAKOR

KOS0402



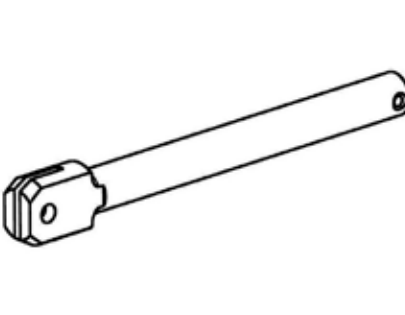
KILITLEME SOMUNU

KOS0481



ZINCİR TUTUCU CIVATASI  
(BOY: 232)

KOS0533



ZINCİR TUTUCU CIVATASI (BOY:  
165)

KOS0610



SUBAP KOMPLE (FİME HORTUM  
TAPA)

KOS0073



KAPLIN KOMPLE -  
DİFERANSİYEL KILITLEME

KOS0096



GOBEK - HİDROLİK POMPA  
BAĞLANTI  
OEM: 5118570

KOS0109



KAPLIN - HİDROLİK POMPA  
BAĞLANTI  
OEM: 5118569

KOS0113



KUYRUK MILİ - 540 D/D

KOS0305



MİL - PTO MILİ (KUYRUK MILİ)

KOS0336



MİL - GÜC AKTARMA

KOS0454



BUYUK FREZELİ SAFT (UZUN)

KOS0478



GOBEK - HID. POMPA BAĞLANTI

KOS0573



GÜC AKTARMA MANŞONU

KOS0046



CF40FX DİREKSİYON SİLİNDİRİ  
RODÜ

KOS0071



GEGENMUTTER

KOS0108



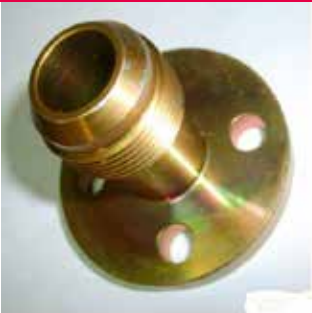
KAYDIRMA KOLU - ON DİF.  
KUMANDA

KOS0124



PABUC - GERİ VİTES KUMANDA  
KOLU

KOS0185



POMPA EMİS ADAPTORU

KOS0214



HYUNDAİ MOTORU ADAPTOR MILİ

KOS0319



ALUMİNYUM GOVDE - 01



KOS0329



MIL - PTO MILI (KUYRUK MILI)

KOS0331



MIL - GUC AKTARMA

KOS0351



BUYUK FREZELI SAFT (UZUN)

KOS0361



GOBEK - HID. POMPA BAGLANTI

KOS0368



GUC AKTARMA MANSONU

KOS0370



CF40FX DIREKSIYON SILINDIRI  
RODU

KOS0374



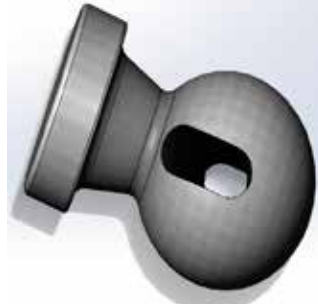
GEGENMUTTER

KOS0381



KAYDIRMA KOLU - ON DIF.  
KUMANDA

KOS0393



PABUC - GERI VITES KUMANDA  
KOLU

KOS0394



POMPA EMIS ADAPTORU

KOS0433



HYUNDAI MOTORU ADAPTOR MILI

KOS0434



ALUMINYUM GOVDE - 01

KOS0462



FREN - 70 VE 90 KILIT GOVDE

KOS0484



ALU. GOVDE 02 - KAPAGI  
(KULAKSIZ)

KOS0486



ADAPTOR - FREN MUSIRI

KOS0509



ALT DEBRİYAJ CATALI

KOS0538



FLANS - VITES KUMANDA



ANADOLU HİDROLİK

AKOJANT



ÇUKUROVA  
Makina İmalat ve Ticaret A.Ş.



HEMA  
ENDÜSTRİ A.Ş.



HISARLAR

İSFUR®



spartek  
Makina Otomotiv Sanayi Tic. Ltd.Şti



TÜMOSAN





**KERİMOĞLU**  
Otomotiv Sanayi Tic. Ltd. Şti.

1. Organize Sanayi Bölgesi  
Gümüşyüzük Sokak No: 8  
Selçuklu / Konya / TÜRKİYE

Tel : +90 332 345 3310  
+90 332 345 3311  
Fax : +90 332 345 3312  
email : bilgi@kerimoglu.com.tr  
email : info@kerimoglu.com.tr

[www.kerimoglu.com.tr](http://www.kerimoglu.com.tr)