

Since 1940

LARZEP

HYDRAULIC

HYDRAULIC CYLINDERS. GENERAL FEATURES

LARZEP cylinders are made of the highest quality materials. Our wide ranges of products are able to perform all kind of industrial applications such as: lifting, pushing, pulling, bending, holding, etc. The Quality System UNE-EN ISO 9001:2008 and the compliance with the standard ANSI-B30.1 guarantees the design, manufacturing, supply and after-sales service.

All our models are tested under a safety factor of 1,5 to meet the requirements of the European Standards CE and all our products are tested individually in order to maximize the quality and the safety of all them.

- Fully comply with ANSI B30.1
- All units load tested under 125% of the nominal capacity.
- Mechanical end of stroke gland avoids over travel at full pressure.
- Cylinder bodies made out of solid high strength alloy steel.
- Hard chrome plated pistons.
- Wiper seal reduces contamination and allows longer life.
- Wear rings for long service life and high absorption of side loads.
- Hardened grooved saddles as standard, optional tilting saddles improve side load resistance.
- Heavy cylinders include carrying handles or eye bolts.
- Female coupling AZ3140 with plastic dust cap included in all cylinders.
- LARZEP designs and manufactures special cylinders and fixing systems.



Cylinders

Models	Capacity	Stroke	Cylinder type		Page
	Tn (kN)	mm			
SM	5 - 220 (45 - 2.156)	25 - 362	Single Acting Spring Return Cylinders Attachments for SM and D cylinders		6
SAM	23 - 200 (228 - 1.947)	50 - 300	Aluminium Single Acting Cylinders, Spring Return		12
SH	12 - 100 (121 - 1.018)	40 - 153	Single Acting Hollow Piston Cylinders, Spring Return		16
SAH	22 - 150 (217 - 1.407)	50 - 250	Aluminium Single Acting Cylinders, Hollow Piston, Spring Return		18
SP - SMP	10 - 100 (109 - 911)	40 - 150	Single Acting Low Height Cylinders, Load or Spring Return		22
SPR	140 - 1.100 (1.379 - 10.910)	50 - 300	Single Acting Low Height Cylinders, High Tonnage, Load Return		24
SX - SMX	4 - 150 (44 - 1.450)	6 - 16	Single Acting Low Profile Cylinders, Load or Spring Return		30
STR	30 - 1.100 (303 - 10.905)	50 - 300	Single Acting Lock Nut Cylinders, Load Return		32
SAT	30 - 200 (303 - 1.946)	50 - 300	Aluminium Single Acting Cylinders, Lock Nut, Load Return		38
SATM	30 - 200 (303 - 1.946)	50 - 300	Aluminium Single Acting Cylinders, Lock Nut, Stop Ring, Spring Return		42
STX	50 - 1.100 (486 - 10.905)	45 - 50	Single Acting Pancake Cylinders, Lock Nut Tilting Saddle, Load Return		46
SL	10 - 30 (109 - 1.380)	135 - 600	Single Acting Telescopic Cylinders		48
SSR	140 - 1.100 (1.380 - 10.916)	50 - 300	Single Acting High Tonnage Cylinders, Load Return		50
T - TE - TD	5 - 50 (54 - 483)	140 - 150	Pull Cylinders		54
D	10 - 550 (109 - 5.519)	50 - 320	Double Acting Cylinders		56
DDA	50 - 200 (487 - 1.946)	50 - 300	Aluminium Double Acting Cylinders		60
DH	30 - 150 (302 - 1.407)	38 - 250	Double Acting Hollow Piston Cylinders		64
DAH	30 - 150 (302 - 1.407)	50 - 250	Aluminium Double Acting Cylinders, Hollow Piston		66
DDR	50 - 1.100 (486 - 10.921)	50 - 300	Double Acting High Tonnage Cylinders		68
DM - DI	4 - 23 (34 - 228)	28 - 260	Double Acting Production Cylinders		72
J	5 - 100 (49 - 1.018)	40 - 362	Cylinder - Pump Sets		76

SINGLE ACTING SPRING RETURN CYLINDERS



LARZEP advantages

- Capacity from 5 to 220 Tn, stroke up to 360 mm.
- Industrial general purpose cylinders.
- Strong spring for quick retraction, can be used in all positions.
- Collar threads, piston end threads and base holes, for accessory mounting.
- Hard chrome-plated piston with wiper seal to extend cylinder life.
- Heavy cylinders have carrying handles or eye bolts as standard.



SM cylinders are equipped with hardened grooved saddles. In case of operation under side loads, LARZEP can supply tilting saddles.

Page. 112



Special attachments for SM and D models.

Page. 10



Coupler 3/8\"/>

Page. 108

S/A SPRING RETURN



SM

5-220 Tn.

700 bar



Body made of solid steel.

Stop ring can withstand full capacity of the cylinder.

Guiding bands to improve resistance against side loads.

Carefully read and understand the safety instructions.



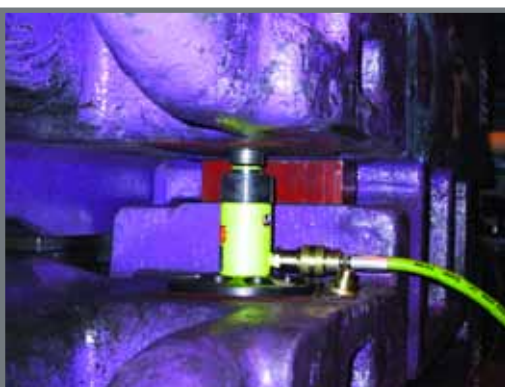
Pump and Cylinder Sets.

Page. 76



Lightweight Aluminium Cylinders, SAM.

Page. 12



Double Acting Cylinders, D.

Page. 56

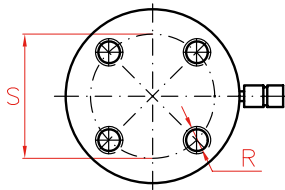
Larzep designs and manufactures special cylinders and fixing systems, upon request.



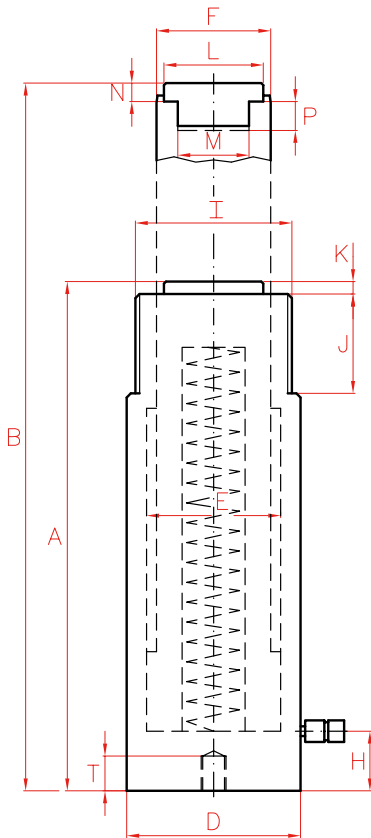
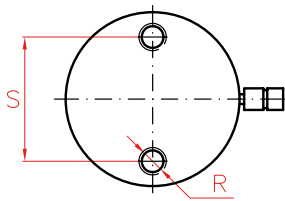
Pressure Gauges.

Page. 116

Models from 100 to 140 Tn.



Models up to 75 Tn.



* SM01002 and SM01502 models are not provided with removable saddles. The top side of the piston has been heat treated to upgrade its hardness.



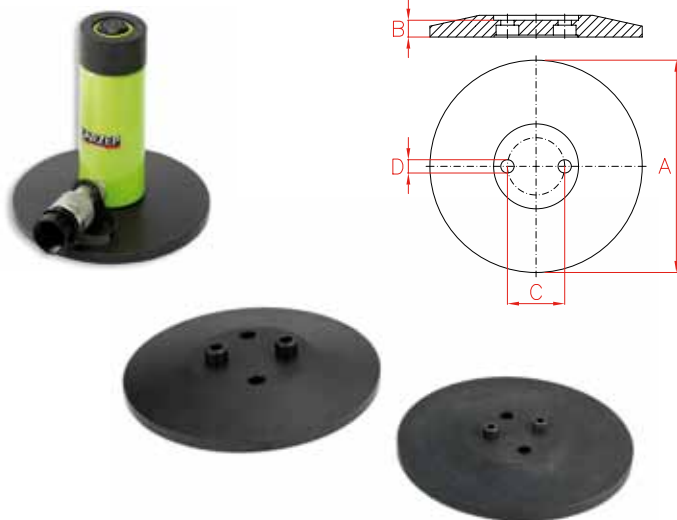
Capacity		Stroke	Model	Oil Cap.	A	B	D	E	F	H	I	
Tn	kN	mm	LARZEP	cm ³	mm	mm	mm	mm	mm	mm	UN	
5	49	25	SM00502	18	110	135	40	30	25	19	1 1/2"-16	
		76	SM00508	54	168	244	40	30	25	19	1 1/2"-16	
		127	SM00513	90	219	346	40	30	25	19	1 1/2"-16	
		180	SM00518	128	276	456	40	30	25	19	1 1/2"-16	
		232	SM00523	164	328	560	40	30	25	19	1 1/2"-16	
10	109	25	SM01002	40	90	115	60	45	36	20	2 1/4"-14	
		54	SM01005	86	121	175	60	45	36	20	2 1/4"-14	
		105	SM01010	167	172	277	60	45	36	20	2 1/4"-14	
		155	SM01015	247	247	402	60	45	36	20	2 1/4"-14	
		205	SM01020	326	301	506	60	45	36	20	2 1/4"-14	
		257	SM01025	409	352	609	60	45	36	20	2 1/4"-14	
		307	SM01030	489	402	709	60	45	36	20	2 1/4"-14	
		355	SM01035	565	454	809	60	45	36	20	2 1/4"-14	
15	163	25	SM01502	60	127	152	75	55	45	20	2 3/4"-16	
		54	SM01505	129	155	209	75	55	45	20	2 3/4"-16	
		105	SM01510	250	205	310	75	55	45	20	2 3/4"-16	
		155	SM01515	369	275	430	75	55	45	20	2 3/4"-16	
		205	SM01520	487	327	532	75	55	45	20	2 3/4"-16	
		257	SM01525	611	379	636	75	55	45	20	2 3/4"-16	
		307	SM01530	730	426	733	75	55	45	20	2 3/4"-16	
		355	SM01535	844	477	832	75	55	45	20	2 3/4"-16	
23	228	25	SM02302	83	140	165	85	65	56	25	3 5/16"-12	
		51	SM02305	170	166	217	85	65	56	25	3 5/16"-12	
		102	SM02310	339	217	319	85	65	56	25	3 5/16"-12	
		159	SM02315	528	277	436	85	65	56	25	3 5/16"-12	
		210	SM02321	697	327	537	85	65	56	25	3 5/16"-12	
		261	SM02326	866	379	640	85	65	56	25	3 5/16"-12	
		310	SM02331	1.029	430	740	85	65	56	25	3 5/16"-12	
		362	SM02336	1.201	480	842	85	65	56	25	3 5/16"-12	
30	303	60	SM03006	265	165	225	100	75	60	30	3 7/8"-12	
		150	SM03015	663	270	420	100	75	60	30	3 7/8"-12	
		210	SM03021	928	340	550	100	75	60	30	3 7/8"-12	
50	487	60	SM05006	426	176	236	127	95	80	35	5"-12	
		102	SM05010	723	227	329	127	95	80	35	5"-12	
		160	SM05016	1.134	285	445	127	95	80	35	5"-12	
		200	SM05020	1.418	325	525	127	95	80	35	5"-12	
		250	SM05025	1.772	376	626	127	95	80	35	5"-12	
75	713	339	SM05034	2.402	465	804	127	95	80	35	5"-12	
		160	SM07516	1.661	285	445	150	115	90	35	5 3/4"-12	
		330	SM07533	3.426	495	825	150	115	90	35	5 3/4"-12	
100	911	60	SM10006	797	180	240	177	130	110	40	6 7/8"-12	
		150	SM10015	1.991	300	450	177	130	110	40	6 7/8"-12	
		260	SM10026	3.451	449	709	177	130	110	40	6 7/8"-12	
140	1.380	60	SM14006	1.206	190	250	216	160	140	40	8 1/2"-12	
		150	SM14015	3.015	320	470	216	160	140	40	8 1/2"-12	
		260	SM14026	5.226	470	730	216	160	140	40	8 1/2"-12	
220	2.156	150	SM22015	4.710	340	490	250	200	160	40	-	

Performance under Pressure

	J	K	L	M	N	P	R	S	T	Area	Weight	Model	With tilting saddle	
	mm	mm	mm	UN	mm	mm	UN	mm	mm	cm ²	kg	LARZEP	A	Model
	28	6	25	3/4"-16	6	14	1/4"-20	25	14	7	1,0	SM00502	-	-
	28	6	25	3/4"-16	6	14	1/4"-20	25	14	7	1,5	SM00508	-	-
	28	6	25	3/4"-16	6	14	1/4"-20	25	14	7	1,9	SM00513	-	-
	28	6	25	3/4"-16	6	14	1/4"-20	25	14	7	2,4	SM00518	-	-
	28	6	25	3/4"-16	6	14	1/4"-20	25	14	7	2,8	SM00523	-	-
	32	6	*	*	*	*	5/16"-18	39	12	16	1,8	SM01002	*	*
	32	6	28	1"-8	10	19	5/16"-18	39	12	16	2,4	SM01005	140	AZ0420
	32	6	28	1"-8	10	19	5/16"-18	39	12	16	3,3	SM01010	191	AZ0420
	32	6	28	1"-8	10	19	5/16"-18	39	12	16	4,7	SM01015	266	AZ0420
	32	6	28	1"-8	10	19	5/16"-18	39	12	16	5,7	SM01020	320	AZ0420
	32	6	28	1"-8	10	19	5/16"-18	39	12	16	6,6	SM01025	371	AZ0420
	32	6	28	1"-8	10	19	5/16"-18	39	12	16	7,4	SM01030	421	AZ0420
	32	6	28	1"-8	10	19	5/16"-18	39	12	16	8,4	SM01035	473	AZ0420
	32	8	*	*	*	*	3/8"-16	47	12	24	4,2	SM01502	*	*
	32	8	35	1"-8	8	25	3/8"-16	47	12	24	5,0	SM01505	176	AZ0423
	32	8	35	1"-8	8	25	3/8"-16	47	12	24	6,4	SM01510	226	AZ0423
	32	8	35	1"-8	8	25	3/8"-16	47	12	24	8,5	SM01515	296	AZ0423
	32	8	35	1"-8	8	25	3/8"-16	47	12	24	10,0	SM01520	348	AZ0423
	32	8	35	1"-8	8	25	3/8"-16	47	12	24	11,5	SM01525	400	AZ0423
	32	8	35	1"-8	8	25	3/8"-16	47	12	24	12,8	SM01530	447	AZ0423
	32	8	35	1"-8	8	25	3/8"-16	47	12	24	14,2	SM01535	498	AZ0423
	45	10	45	1 1/2"-16	10	25	1/2"-13	58	19	33	6,0	SM02302	158	AZ0421
	45	10	45	1 1/2"-16	10	25	1/2"-13	58	19	33	7,0	SM02305	184	AZ0421
	45	10	45	1 1/2"-16	10	25	1/2"-13	58	19	33	8,9	SM02310	235	AZ0421
	45	10	45	1 1/2"-16	10	25	1/2"-13	58	19	33	11,2	SM02315	295	AZ0421
	45	10	45	1 1/2"-16	10	25	1/2"-13	58	19	33	13,0	SM02321	345	AZ0421
	45	10	45	1 1/2"-16	10	25	1/2"-13	58	19	33	15,0	SM02326	397	AZ0421
	45	10	45	1 1/2"-16	10	25	1/2"-13	58	19	33	16,9	SM02331	448	AZ0421
	45	10	45	1 1/2"-16	10	25	1/2"-13	58	19	33	18,8	SM02336	498	AZ0421
	48	10	45	1 1/2"-16	10	25	1/2"-13	66	19	44	9,3	SM03006	183	AZ0421
	48	10	45	1 1/2"-16	10	25	1/2"-13	66	19	44	14,6	SM03015	288	AZ0421
	48	10	45	1 1/2"-16	10	25	1/2"-13	66	19	44	18,2	SM03021	358	AZ0421
	55	5	61	-	12	-	1/2"-13	95	19	71	16,4	SM05006	203	AZ0402
	55	5	61	-	12	-	1/2"-13	95	19	71	20,7	SM05010	254	AZ0402
	55	5	61	-	12	-	1/2"-13	95	19	71	25,5	SM05016	312	AZ0402
	55	5	61	-	12	-	1/2"-13	95	19	71	29,0	SM05020	352	AZ0402
	55	5	61	-	12	-	1/2"-13	95	19	71	33,1	SM05025	403	AZ0402
	55	5	61	-	12	-	1/2"-13	95	19	71	40,4	SM05034	492	AZ0402
	55	5	61	-	12	-	3/4"-10	115	19	104	32,0	SM07516	312	AZ0402
	55	5	61	-	12	-	3/4"-10	115	19	104	54,0	SM07533	522	AZ0402
	55	5	88	-	14	-	3/4"-10	139	25	133	32,0	SM10006	213	AZ0404
	55	5	88	-	14	-	3/4"-10	139	25	133	53,0	SM10015	333	AZ0404
	55	5	88	-	14	-	3/4"-10	139	25	133	78,5	SM10026	482	AZ0404
	55	5	88	-	15	-	3/4"-10	165	25	201	52,0	SM14006	222	AZ0404
	55	5	88	-	15	-	3/4"-10	165	25	201	85,7	SM14015	352	AZ0404
	55	5	88	-	15	-	3/4"-10	165	25	201	124,5	SM14026	502	AZ0404
	-	5	111	-	15	-	-	-	-	314	116,5	SM22015	377	AZ0405

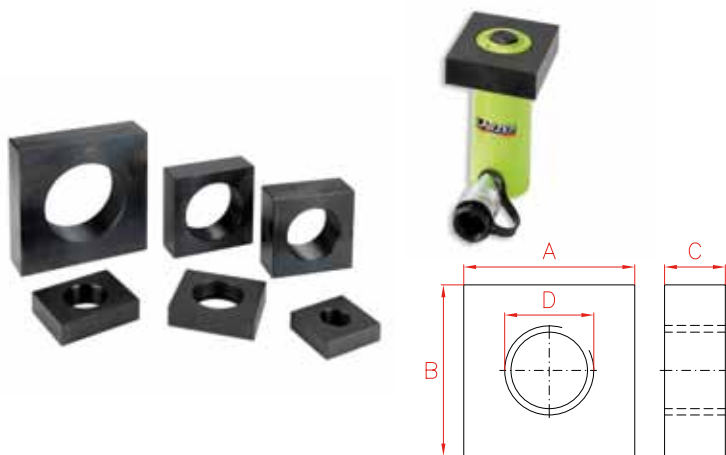
SPECIAL ATTACHMENTS FOR SM AND D MODELS

Base plate



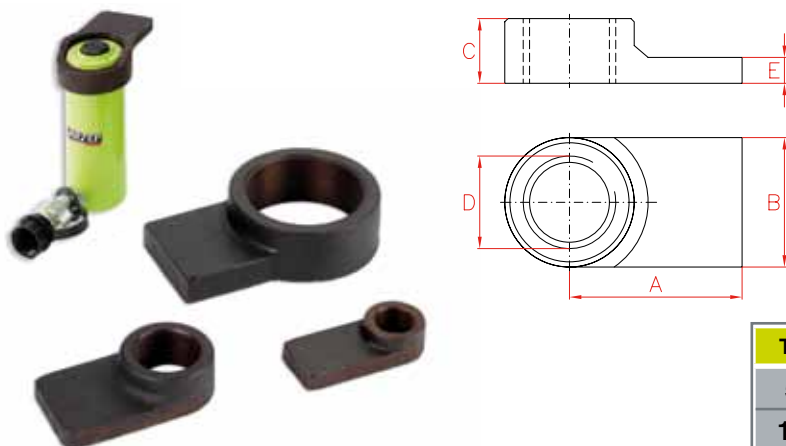
	Model	A	B	C	D	Weight
Tn	LARZEP	mm	mm	mm	mm	kg
5	SM005P	150	15	25	7,0	2,2
10	SM010P	180	15	39	8,5	4,1
15	SM015P	180	15	47	10,0	4,1
23	SM023P	215	17	58	13,5	4,9
30	SM030P	215	17	66	13,5	4,9
50	SM050P	305	22	95	13,5	13,1
75	SM075P	350	32	115	21,0	25,6
100	SM100P	400	40	139	21 (4)	29,3

Mounting block



	Model	A	B	C	D
Tn	LARZEP	mm	mm	mm	UN
5	SM005B	76	90	25	1 1/2" - 16
10	SM010B	90	114	30	2 1/4" - 14
15	SM015B	100	114	30	2 3/4" - 16
23	SM023B	127	127	45	3 5/16" - 12
30	SM030B	135	135	45	3 7/8" - 12
50	SM050B	200	200	55	5" - 12
100	SM100B	330	330	55	6 7/8" - 12

Collar toe

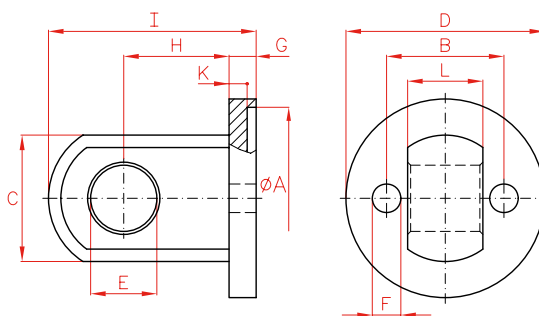


When using this accessory do not exceed 350 bar.



	Model	A	B	C	D	E
Tn	LARZEP	mm	mm	mm	UN	mm
5	SM005U	71	40	30	1 1/2" - 16	11
10	SM010U	79	60	37	2 1/4" - 14	12
23	SM023U	105	80	40	3 5/16" - 12	20

Clevis eye body

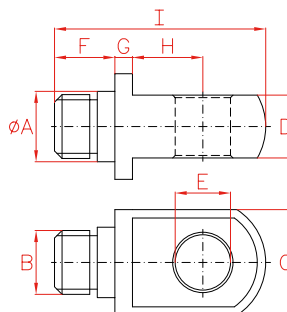


	Model	A	B	C	D	E	F	G	H	I	K	L
Tn	LARZEP	mm	mm	mm	mm	mm	mm	mm	mm	mm	mm	mm
5	SM005RB	41	25	28	46	16	8	9	25	50	6	14
10	SM010RB	61	39	42	66	22	10	9	35	69	6	25
15	SM015RB	76	47	42	82	22	11	9	35	69	6	25
23	SM023RB	86	58	57	95	31	14	12	41	84	7	38

Clevis eye piston



	Model	A	B	C	D	E	F	G	H	I
Tn	LARZEP	mm	UN	mm	mm	mm	mm	mm	mm	mm
5	SM005RP	25	3/4"-16	28	14	16	15	5	19	55
10-15	SM010-15RP	28	1"-8	42	25	22	24	7	28	84
15	SM023RP	45	1/2"-16	57	38	31	27	8	35	101



Larzep designs and manufactures special cylinders and fixing systems, upon request.



ALUMINIUM SINGLE ACTING CYLINDERS, SPRING RETURN**LARZEP advantages**

- Lightweight general purpose cylinders from 23 to 200 Tn, stroke up to 300 mm.
- Made out of high strength aluminium alloy.
- Solid piston, spring return.
- All aluminium parts are treated to improve resistance and extend working life.
- 40% weight reduction when compared with steel equivalent.
- Fitted with steel base plate and saddle for wear resistance.
- Not suitable for high cycle applications.

Carefully read and understand the safety instructions.



Coupler 3/8\"-18 NPT included.

Page. 108

Larzep manufactures special aluminium cylinders. For further information, contact us.



S/A ALUMINIUM CYLINDERS



SAM

23-200 Tn.

700 bar

CYLINDERS

The body, stop ring and piston of the cylinder are hard anodized to strengthen the working area and extend its working life.

The weight reduction makes them especially suitable for use in sites of difficult access.

It is highly recommended to place the cylinder on a flat area in order to avoid any damage to the base.



Lightweight Aluminium Hollow Piston Cylinders SAH.

Page. 18



Double Acting Aluminium Cylinders, DDA.

Page. 60



Aluminium Single Acting Cylinders with Lock Nut SAT.

Page. 38

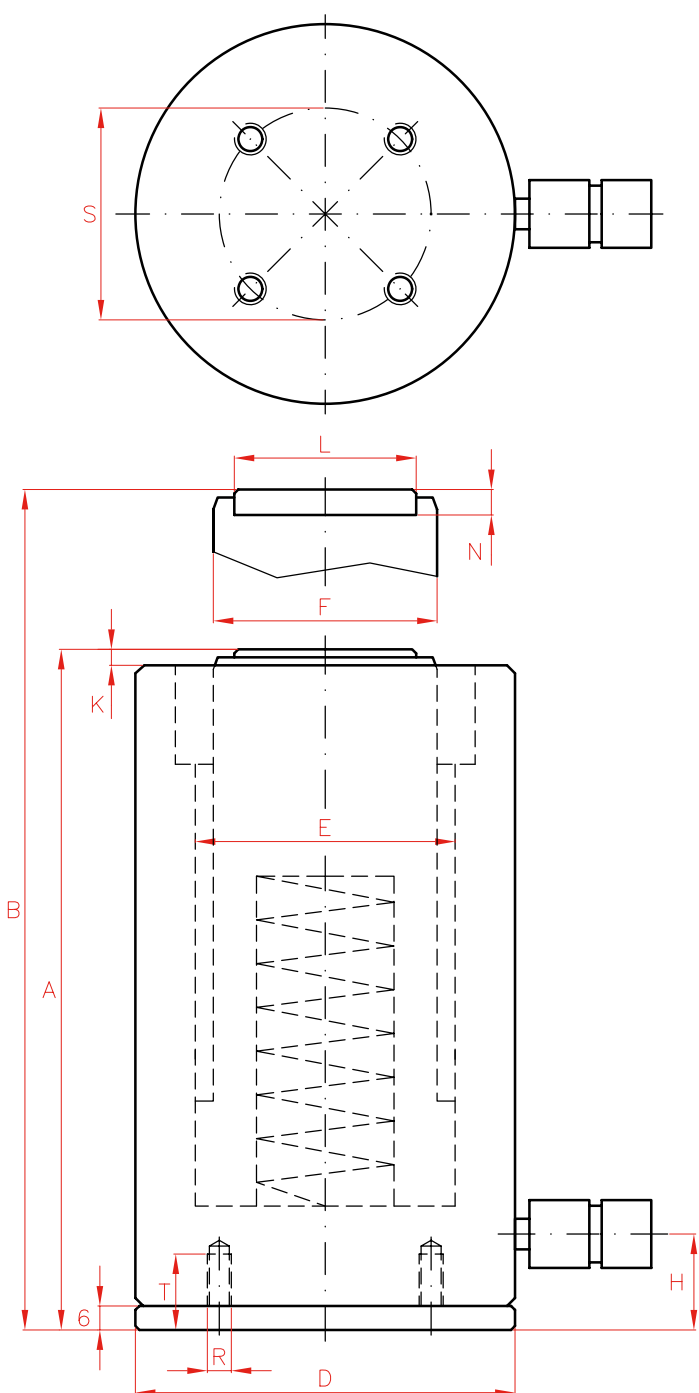


Aluminium Single Acting, Spring Return Cylinder, with Lock Nut and Stop Ring, SATM.
Page. 42

Carefully read and understand the safety instructions.



Hoses.
Page. 106



Capacity		Stroke	Model	Oil Cap.	A
Tn	kN	mm	LARZEP	cm ³	mm
23	228	50	SAM02305	166	156
		100	SAM02310	332	206
		150	SAM02315	497	256
		200	SAM02320	663	306
		250	SAM02325	830	356
		300	SAM02330	995	406
30	303	50	SAM03005	221	172
		100	SAM03010	442	222
		150	SAM03015	663	272
		200	SAM03020	883	322
		250	SAM03025	1.104	372
50	487	50	SAM05005	354	180
		100	SAM05010	709	230
		150	SAM05015	1.063	280
		200	SAM05020	1.417	330
		250	SAM05025	1.772	380
		300	SAM05030	2.126	430
100	911	50	SAM10005	663	210
		100	SAM10010	1.326	260
		150	SAM10015	1.989	310
		200	SAM10020	2.652	360
		250	SAM10025	3.315	410
		300	SAM10030	3.982	460
140	1.380	50	SAM14005	1.005	225
		100	SAM14010	2.010	275
		150	SAM14015	3.016	325
		200	SAM14020	4.021	375
		250	SAM14025	5.026	425
200	1.947	50	SAM20005	1.417	234
		100	SAM20010	2.835	284
		150	SAM20015	4.253	334



Pressure Gauges.

Page. 116



Optional Tilting Saddle.

Page. 112

	B	D	E	F	H	K	L	N	R	S	T	Area	Weight	Model	With tilting saddle	
	mm	mm	mm	mm	mm	mm	mm	mm		mm	mm	cm ²	kg	LARZEP	A	Model
	206	95	65	56	24	4	45	11	M6	80	19	33	3,6	SAM02305	181	AZ0401
	306	95	65	56	24	4	45	11	M6	80	19	33	4,3	SAM02310	231	AZ0401
	406	95	65	56	24	4	45	11	M6	80	19	33	5,0	SAM02315	281	AZ0401
	506	95	65	56	24	4	45	11	M6	80	19	33	5,7	SAM02320	331	AZ0401
	606	95	65	56	24	4	45	11	M6	80	19	33	6,4	SAM02325	381	AZ0401
	706	95	65	56	24	4	45	11	M6	80	19	33	7,1	SAM02330	431	AZ0401
	222	105	75	60	24	6	45	11	M6	85	19	44	4,8	SAM03005	197	AZ0401
	322	105	75	60	24	6	45	11	M6	85	19	44	5,4	SAM03010	247	AZ0401
	422	105	75	60	24	6	45	11	M6	85	19	44	6,0	SAM03015	297	AZ0401
	522	105	75	60	24	6	45	11	M6	85	19	44	6,6	SAM03020	347	AZ0401
	622	105	75	60	24	6	45	11	M6	85	19	44	7,2	SAM03025	397	AZ0401
	722	105	75	60	24	6	45	11	M6	85	19	44	7,8	SAM03030	447	AZ0401
	230	135	95	80	26	7	61	12	M6	115	19	71	8,0	SAM05005	207	AZ0402
	330	135	95	80	26	7	61	12	M6	115	19	71	9,5	SAM05010	257	AZ0402
	430	135	95	80	26	7	61	12	M6	115	19	71	11,0	SAM05015	307	AZ0402
	530	135	95	80	26	7	61	12	M6	115	19	71	11,5	SAM05020	357	AZ0402
	630	135	95	80	26	7	61	12	M6	115	19	71	13,0	SAM05025	407	AZ0402
	730	135	95	80	26	7	61	12	M6	115	19	71	14,5	SAM05030	457	AZ0402
	260	180	130	110	32	5	88	14	M6	160	19	133	16,0	SAM10005	243	AZ0404
	360	180	130	110	32	5	88	14	M6	160	19	133	19,0	SAM10010	293	AZ0404
	460	180	130	110	32	5	88	14	M6	160	19	133	22,0	SAM10015	343	AZ0404
	560	180	130	110	32	5	88	14	M6	160	19	133	25,0	SAM10020	393	AZ0404
	660	180	130	110	32	5	88	14	M6	160	19	133	28,0	SAM10025	443	AZ0404
	760	180	130	110	32	5	88	14	M6	160	19	133	31,0	SAM10030	493	AZ0404
	275	225	160	140	43	6	88	14	M6	200	19	201	24,0	SAM14005	258	AZ0404
	375	225	160	140	43	6	88	14	M6	200	19	201	29,0	SAM14010	308	AZ0404
	475	225	160	140	43	6	88	14	M6	200	19	201	34,0	SAM14015	358	AZ0404
	575	225	160	140	43	6	88	14	M6	200	19	201	39,0	SAM14020	408	AZ0404
	675	225	160	140	43	6	88	14	M6	200	19	201	44,0	SAM14025	458	AZ0404
	284	265	190	140	51	6	111	15	M6	225	19	284	31,0	SAM20005	271	AZ0405
	384	265	190	140	51	6	111	15	M6	225	19	284	38,0	SAM20010	321	AZ0405
	484	265	190	140	51	6	111	15	M6	225	19	284	45,0	SAM20015	371	AZ0405

SINGLE ACTING HOLLOW PISTON CYLINDERS, SPRING RETURN



LARZEP advantages

- Hollow cylinders from 12 to 100 Tn, stroke up to 150 mm.
- Designed for carrying out push and pull operations.
- Tightening of cables, bars, bolts, etc. Extraction of sleeves, bearings, etc.
- Hollow hard chrome-plated piston.
- Collar threads, piston thread and base holes for easy fixing.
- Interchangeable with our complete puller range.
- Hollow plain saddle as standard. Optional solid or threaded saddles available.

Strand jacks and Post tensioning available upon request.



Carefully read and understand the safety instructions.



Capacity		Stroke	Model	Oil Cap.	A	B	C	
Tn	kN	mm	LARZEP	cm ³	mm	mm	mm	
12	121	40	SH01204	70	124	164	21	
		76	SH01208	134	176	252	21	
		150	SH01215	264	300	450	21	
22	217	50	SH02205	158	165	215	27	
		150	SH02215	474	318	468	27	
30	302	50	SH03005	220	180	230	33	
		150	SH03015	660	322	472	33	
60	578	76	SH06008	640	253	329	56	
		153	SH06015	1.288	341	494	56	
100	1.018	80	SH10008	1.187	306	386	81	



Interchangeables
Saddles: plain,
threaded or solid.

Page. 112

HOLLOW PISTON CYLINDERS

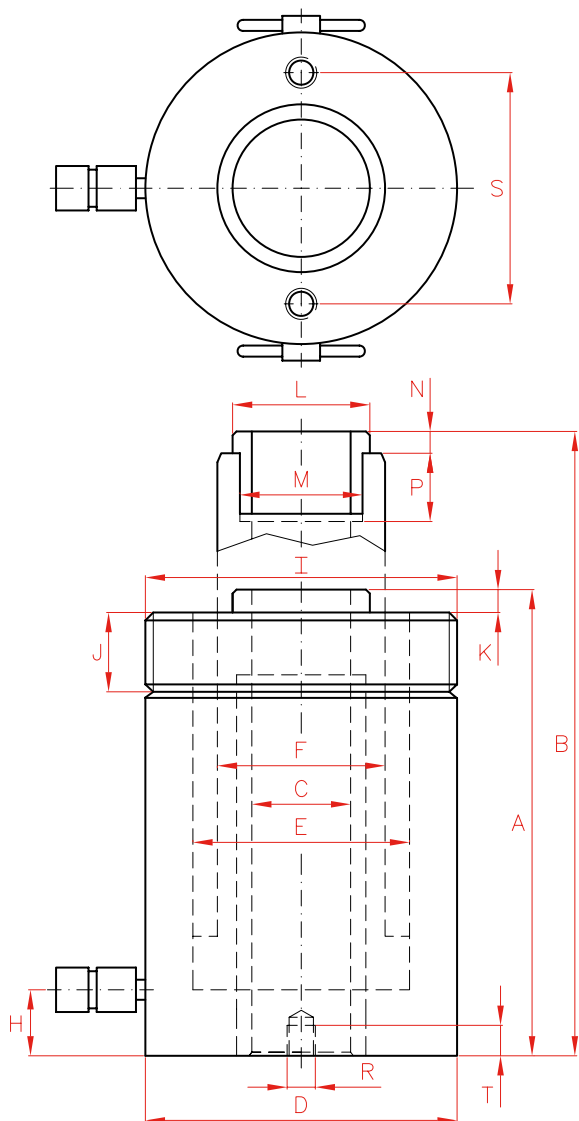


SH

12-100 Tn.

700 bar

CYLINDERS



Cylinder and Pump Sets.

Page. 76



Aluminium Single Acting,
Hollow Piston Cylinders
SAH.

Page. 18



Double Acting Hollow
Piston Cylinders, DH.

Page. 64

	D	E	F	H	I	J	K	L	M	N	P	R	S	T	Area	Weight	Model
	mm	mm	mm	mm	UN	mm	mm	mm	UN	mm	mm	UN	mm	mm	cm ²	kg	LARZEP
	75	55	40	19	2 3/4"-16	30	3	34	M28*1,5	7	18	5/16"-18	51	12	18	4,0	SH01204
	75	55	40	19	2 3/4"-16	30	3	34	M28*1,5	7	18	5/16"-18	51	12	18	5,0	SH01208
	75	55	40	19	2 3/4"-16	30	3	34	M28*1,5	7	18	5/16"-18	51	12	18	8,5	SH01215
	105	75	56	23	3 7/8"-12	38	3	48	1 9/16"-16	8	20	3/8"-16	83	15	32	9,5	SH02205
	105	75	56	23	3 7/8"-12	38	3	48	1 9/16"-16	8	20	3/8"-16	83	15	32	18,0	SH02215
	120	90	68	26	4 1/2"-12	42	4	55	1 13/16"-16	9	22	3/8"-16	92	17	44	14,0	SH03005
	120	90	68	26	4 1/2"-12	42	4	55	1 13/16"-16	9	22	3/8"-16	92	17	44	23,5	SH03015
	165	125	95	31	6 1/4"-12	48	4	80	2 3/4"-16	12	22	1/2"-13	130	14	84	35,0	SH06008
	165	125	95	31	6 1/4"-12	48	4	80	2 3/4"-16	12	22	1/2"-13	130	14	84	44,0	SH06015
	220	170	130	37	8 3/8"-12	60	5	116	4"-16	13	25	5/8"-11	178	19	148	73,0	SH10008

**ALUMINIUM SINGLE ACTING CYLINDERS,
HOLLOW PISTON, SPRING RETURN****LARZEP advantages**

- Lightweight hollow cylinders from 22 to 100 Tn and up to 250 mm stroke.
- Made out of high strength aluminium alloy.
- Hollow piston, spring return.
- All aluminium parts are treated to improve resistance and extend working life.
- Fitted with steel base plate and saddle for wear resistance.
- 40% weight reduction when compared with steel equivalent.
- Hollow plain saddle as standard.
- Not suitable for high cycle applications.

**Strand jacks and Post tensioning
available upon request.**



Carefully read and understand the safety instructions.



HOLLOW PISTON ALUM. CYL.



SAH

22-150 Tn.

700 bar

CYLINDERS



Aluminium Double Acting Hollow Piston Cylinders DAH.

Page. 66

Larzep designs and manufactures special cylinders and fixing systems upon request.





Interchangeable Saddles.

Page. 112



Quick Couplers.

Page. 108



Pressure Gauges.

Page. 116



Coupler 3/8"-18 NPT included.

Page. 108

	B	C	D	E	F	H	K	L	M	N	P	R	S	T	Area	Weight	Model
	mm	mm	mm	mm	mm	mm	mm	mm	UN	mm	mm		mm	mm	cm ²	kg	LARZEP
	233	27	100	75	56	26	3	48	1 9/16"-16	8	20	M6	85	19	32	4,5	SAH02205
	353	27	100	75	56	26	3	48	1 9/16"-16	8	20	M6	85	19	32	5,8	SAH02210
	473	27	100	75	56	26	3	48	1 9/16"-16	8	20	M6	85	19	32	7,0	SAH02215
	587	27	100	75	56	26	3	48	1 9/16"-16	8	20	M6	85	19	32	8,0	SAH02220
	698	27	100	75	56	26	3	48	1 9/16"-16	8	20	M6	85	19	32	8,8	SAH02225
	260	33	130	90	68	32	4	55	1 11/13"-16	9	22	M6	110	19	44	7,5	SAH03005
	378	33	130	90	68	32	4	55	1 11/13"-16	9	22	M6	110	19	44	10,0	SAH03010
	502	33	130	90	68	32	4	55	1 11/13"-16	9	22	M6	110	19	44	11,5	SAH03015
	610	33	130	90	68	32	4	55	1 11/13"-16	9	22	M6	110	19	44	13,0	SAH03020
	725	33	130	90	68	32	4	55	1 11/13"-16	9	22	M6	110	19	44	14,6	SAH03025
	293	56	175	125	95	37	4	80	2 3/4"-16	12	22	M6	155	19	84	16,3	SAH06005
	398	56	175	125	95	37	4	80	2 3/4"-16	12	22	M6	155	19	84	19,5	SAH06010
	513	56	175	125	95	37	4	80	2 3/4"-16	12	22	M6	155	19	84	23,4	SAH06015
	628	56	175	125	95	37	4	80	2 3/4"-16	12	22	M6	155	19	84	26,0	SAH06020
	743	56	175	125	95	37	4	80	2 3/4"-16	12	22	M6	155	19	84	32,0	SAH06025
	310	81	235	170	130	40	6	116	4"-16	13	25	M6	215	19	148	31,0	SAH10005
	427	81	235	170	130	40	6	116	4"-16	13	25	M6	215	19	148	38,0	SAH10010
	547	81	235	170	130	40	6	116	4"-16	13	25	M6	215	19	148	45,0	SAH10015
	662	81	235	170	130	40	6	116	4"-16	13	25	M6	215	19	148	53,0	SAH10020
	782	81	235	170	130	40	6	116	4"-16	13	25	M6	215	19	148	61,0	SAH10025
	341	81	260	190	150	61	10	135	4 1/4"-12	20	40	M6	220	19	205	43,0	SAH15005
	466	81	260	190	150	61	10	135	4 1/4"-12	20	40	M6	220	19	205	54,0	SAH15010
	591	81	260	190	150	61	10	135	4 1/4"-12	20	40	M6	220	19	205	61,0	SAH15015
	711	81	260	190	150	61	10	135	4 1/4"-12	20	40	M6	220	19	205	76,0	SAH15020
	839	81	260	190	150	61	10	135	4 1/4"-12	20	40	M6	220	19	205	87,0	SAH15025

**SINGLE ACTING, LOW HEIGHT CYLINDERS,
LOAD OR SPRING RETURN**



LARZEP advantages

- Capacity from 10 to 100 Tn, stroke up to 150 mm.
- Two versions: SP for load return, and SMP for spring return.
- Low profile for use in confined spaces: machinery positioning, tool fastening, load tests.
- All models are black nitrated.
- Models from 30 to 100 Tn can mount optional tilting saddle.

Carefully read and understand the safety instructions.

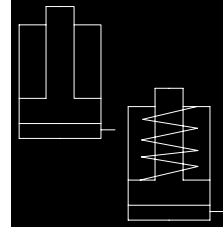


*Coupler inclined 10°

Page. 108

Capacity		Stroke	Model	Model	Oil Cap.	A
Tn	kN	mm	LARZEP	LARZEP	cm ³	mm
10	109	40	SP01004	SMP01004	64	89
20	214	40	SP02004	SMP02004	125	101
30	303	60	SP03006	SMP03006	265	125
50	486	60	SP05006	SMP05006	425	125
100	911	60	SP10006	SMP10006	796	141
		150	SP10015	SMP10015	1.990	254

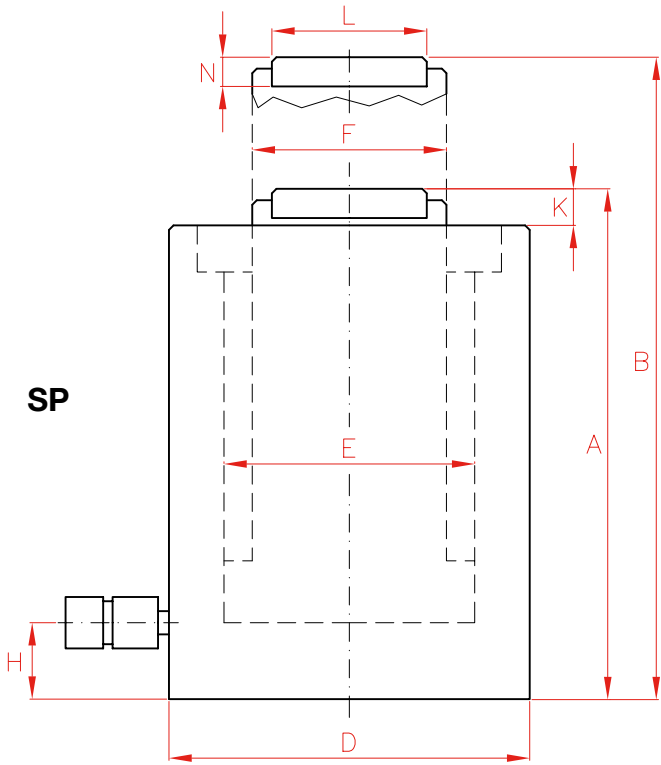
SINGLE ACTING CYLINDERS



SP
SMP

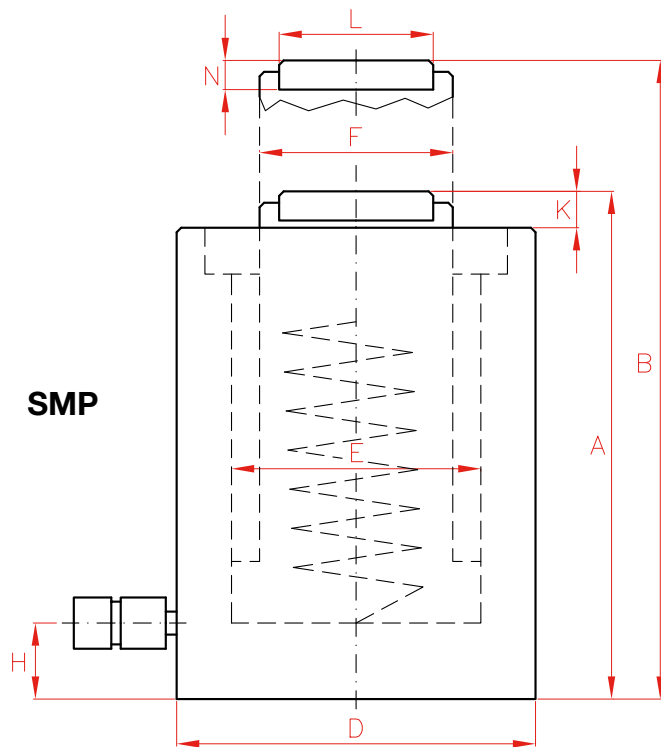
10-100 Tn.

700 bar



Pump and Cylinder Sets.

Page. 76



Low Height, Single Acting Cylinders, High Tonnage, SPR.

Page. 24



Optional Tilting Saddles.

Page. 112

	B	D	E	F	H	K	L	N	Area	Weight	Model	Model	With tilting saddle	
	mm	mm	mm	mm	mm	mm	mm	mm	cm ²	kg	LARZEP	LARZEP	A	Model
	129	66	45	36	14*	2	-	-	16	3	SP01004	SMP01004	-	-
	141	90	63	56	14*	2	-	-	31	5	SP02004	SMP02004	-	-
	185	102	75	60	14*	2	45	11	44	8	SP03006	SMP03006	150	AZ0401
	185	127	95	80	16*	2	61	12	71	12	SP05006	SMP05006	152	AZ0402
	201	175	130	110	26	2	88	14	133	25	SP10006	SMP10006	174	AZ0404
	404	175	130	110	26	2	88	14	133	43	SP10015	SMP10015	287	AZ0404

**SINGLE ACTING, LOW HEIGHT CYLINDERS,
HIGH TONNAGE, LOAD RETURN**



LARZEP advantages

- Capacity from 140 to 1.100 Tn, stroke up to 300 mm.
- Load return.
- Mechanical end of stroke gland avoids over travel at full pressure.
- Tapped base mounting holes for easy fixing.
- Models available up to 2.000 Tn lifting capacity per cylinder.



Quick Couplers.

Page. 108

**Carefully read and understand the
safety instructions.**



Pressure Gauges.

Page. 116



Single Acting Lock Nut
Cylinders, STR.
Page. 32

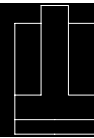


Single Acting Pancake
Lock Nut Cylinders, STX.
Page. 46



Double Acting Cylinders,
Hight Tonnage, DDR.
Page. 68

SINGLE ACTING CYLINDERS



SPR

140-1.100 Tn.

700 bar

CYLINDERS

Larzep designs and manufactures special cylinders and fixing systems, upon request.





Single Acting Cylinders, High Tonnage, SSR.

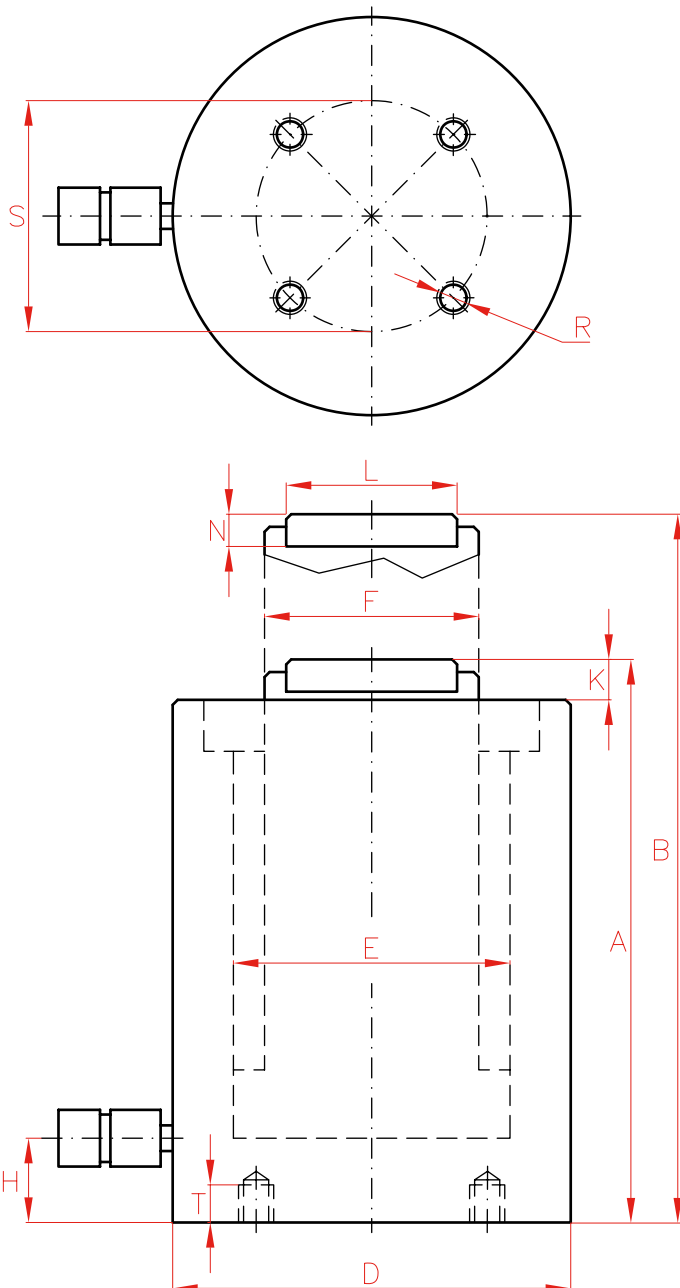
Page. 50

Carefully read and understand the safety instructions.



Powerpacks.

Page. 88



Capacity		Stroke mm	Model LARZEP	Oil Cap. cm ³	A mm
Tn	kN				
140	1.379	50	SPR14005	1.005	202
		100	SPR14010	2.011	252
		150	SPR14015	3.016	307
		200	SPR14020	4.021	357
		250	SPR14025	5.027	412
		300	SPR14030	6.032	462
220	2.155	50	SPR22005	1.571	206
		100	SPR22010	3.142	256
		150	SPR22015	4.712	311
		200	SPR22020	6.283	361
		250	SPR22025	7.854	416
		300	SPR22030	9.425	466
265	2.608	50	SPR26505	1.901	226
		100	SPR26510	3.801	276
		150	SPR26515	5.702	336
		200	SPR26520	7.603	386
		250	SPR26525	9.503	446
		300	SPR26530	11.404	496
350	3.367	50	SPR35005	2.454	236
		100	SPR35010	4.909	286
		150	SPR35015	7.363	341
		200	SPR35020	9.817	391
		250	SPR35025	12.272	446
		300	SPR35030	14.726	496



Coupler 3/8"-18 NPT included.

Page. 108



Flow Control Valves.

Page. 110



Fittings and Manifolds.

Page. 114



Optional Tilting Saddle.

Page. 112

	B	D	E	F	H	K	L	N	R	S	T	Area	Weight	Model	With tilting saddle	
	mm	mm	mm	mm	mm	mm	mm	mm		mm	mm	cm ²	kg	LARZEP	A	Model
	252	200	160	140	36	6	88	14	M12	130	22	201	47	SPR14005	235	AZ0404
	352	200	160	140	36	6	88	14	M12	130	22	201	57	SPR14010	285	AZ0404
	457	200	160	140	36	6	88	14	M12	130	22	201	68	SPR14015	340	AZ0404
	557	200	160	140	36	6	88	14	M12	130	22	201	78	SPR14020	390	AZ0404
	662	200	160	140	36	6	88	14	M12	130	22	201	89	SPR14025	445	AZ0404
	762	200	160	140	36	6	88	14	M12	130	22	201	99	SPR14030	495	AZ0404
	256	250	200	160	40	6	111	15	M12	165	22	314	73	SPR22005	243	AZ0405
	356	250	200	160	40	6	111	15	M12	165	22	314	87	SPR22010	293	AZ0405
	461	250	200	160	40	6	111	15	M12	165	22	314	102	SPR22015	348	AZ0405
	561	250	200	160	40	6	111	15	M12	165	22	314	116	SPR22020	398	AZ0405
	666	250	200	160	40	6	111	15	M12	165	22	314	126	SPR22025	453	AZ0405
	766	250	200	160	40	6	111	15	M12	165	22	314	145	SPR22030	503	AZ0405
	276	270	220	160	45	6	131	15	M12	190	22	380	92	SPR26505	268	AZ0406
	376	270	220	160	45	6	131	15	M12	190	22	380	107	SPR26510	318	AZ0406
	486	270	220	160	45	6	131	15	M12	190	22	380	127	SPR26515	378	AZ0406
	586	270	220	160	45	6	131	15	M12	190	22	380	143	SPR26520	428	AZ0406
	696	270	220	160	45	6	131	15	M12	190	22	380	162	SPR26525	488	AZ0406
	796	270	220	160	45	6	131	15	M12	190	22	380	178	SPR26530	538	AZ0406
	286	310	250	200	50	6	178	23	M16	180	30	491	129	SPR35005	280	AZ0408
	386	310	250	200	50	6	178	23	M16	180	30	491	152	SPR35010	330	AZ0408
	491	310	250	200	50	6	178	23	M16	180	30	491	177	SPR35015	385	AZ0408
	591	310	250	200	50	6	178	23	M16	180	30	491	200	SPR35020	435	AZ0408
	696	310	250	200	50	6	178	23	M16	180	30	491	225	SPR35025	490	AZ0408
	796	310	250	200	50	6	178	23	M16	180	30	491	248	SPR35030	540	AZ0408



Coupler 3/8"-18 NPT included.

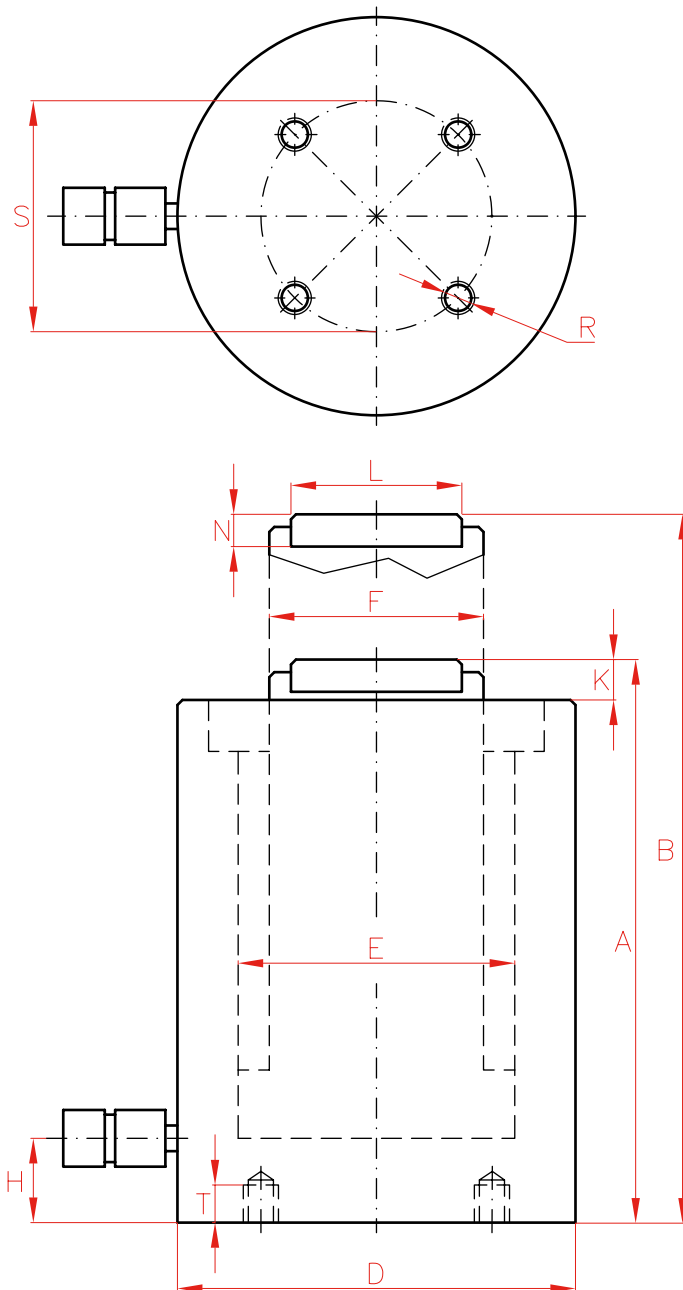
Page. 108

Carefully read and understand the safety instructions.



Pressure Gauges.

Page. 116



Capacity		Stroke	Model	Oil Cap.	A
Tn	kN	mm	LARZEP	cm ³	mm
430	4.224	50	SPR43005	3.079	248
		100	SPR43010	6.158	298
		150	SPR43015	9.236	353
		200	SPR43020	12.315	403
		250	SPR43025	15.394	458
		300	SPR43030	18.473	508
560	5.517	50	SPR56005	4.021	268
		100	SPR56010	8.042	318
		150	SPR56015	12.064	373
		200	SPR56020	16.085	423
		250	SPR56025	20.106	488
670	6.600	300	SPR56030	24.127	538
		50	SPR67005	4.811	293
		100	SPR67010	9.621	343
		150	SPR67015	14.432	398
		200	SPR67020	19.242	448
		250	SPR67025	24.053	508
880	8.621	300	SPR67030	28.863	558
		50	SPR88005	6.283	310
		100	SPR88010	12.566	360
		150	SPR88015	18.850	420
		200	SPR88020	25.133	470
		250	SPR88025	31.416	530
1.100	10.910	300	SPR88030	37.699	580
		50	SPR110005	7.952	345
		100	SPR110010	15.904	395
		150	SPR110015	23.856	455
		200	SPR110020	31.809	505
		250	SPR110025	39.761	565
		300	SPR110030	47.713	615



Powerpacks.

Page. 88



Hoses.

Page. 106



Optional Tilting Saddle.

Page. 112

	B	D	E	F	H	K	L	N	R	S	T	Area	Weight	Model	With tilting saddle	
	mm	mm	mm	mm	mm	mm	mm	mm		mm	mm	cm ²	kg	LARZEP	A	Model
	298	340	280	220	55	8	178	23	M16	205	30	616	163	SPR43005	292	AZ0408
	398	340	280	220	55	8	178	23	M16	205	30	616	189	SPR43010	342	AZ0408
	503	340	280	220	55	8	178	23	M16	205	30	616	219	SPR43015	397	AZ0408
	603	340	280	220	55	8	178	23	M16	205	30	616	245	SPR43020	447	AZ0408
	708	340	280	220	55	8	178	23	M16	205	30	616	275	SPR43025	502	AZ0408
	808	340	280	220	55	8	178	23	M16	205	30	616	301	SPR43030	552	AZ0408
	318	390	320	250	65	8	200	27	M24	250	36	804	232	SPR56005	320	AZ0411
	418	390	320	250	65	8	200	27	M24	250	36	804	267	SPR56010	370	AZ0411
	523	390	320	250	65	8	200	27	M24	250	36	804	306	SPR56015	425	AZ0411
	623	390	320	250	65	8	200	27	M24	250	36	804	340	SPR56020	475	AZ0411
	738	390	320	250	65	8	200	27	M24	250	36	804	389	SPR56025	540	AZ0411
	838	390	320	250	65	8	200	27	M24	250	36	804	423	SPR56030	590	AZ0411
	343	430	350	280	65	8	200	27	M24	275	36	962	312	SPR67005	345	AZ0411
	443	430	350	280	65	8	200	27	M24	275	36	962	355	SPR67010	395	AZ0411
	548	430	350	280	65	8	200	27	M24	275	36	962	404	SPR67015	450	AZ0411
	648	430	350	280	65	8	200	27	M24	275	36	962	447	SPR67020	500	AZ0411
	758	430	350	280	65	8	200	27	M24	275	36	962	501	SPR67025	560	AZ0411
	858	430	350	280	65	8	200	27	M24	275	36	962	545	SPR67030	610	AZ0411
	360	490	400	320	70	10	250	35	M24	330	36	1.257	428	SPR88005	380	AZ0413
	460	490	400	320	70	10	250	35	M24	330	36	1.257	484	SPR88010	430	AZ0413
	570	490	400	320	70	10	250	35	M24	330	36	1.257	555	SPR88015	490	AZ0413
	670	490	400	320	70	10	250	35	M24	330	36	1.257	611	SPR88020	540	AZ0413
	780	490	400	320	70	10	250	35	M24	330	36	1.257	681	SPR88025	600	AZ0413
	880	490	400	320	70	10	250	35	M24	330	36	1.257	737	SPR88030	650	AZ0413
	395	550	450	360	80	10	325	55	M24	375	36	1.590	598	SPR110005	465	AZ0415
	495	550	450	360	80	10	325	55	M24	375	36	1.590	670	SPR110010	515	AZ0415
	605	550	450	360	80	10	325	55	M24	375	36	1.590	740	SPR110015	575	AZ0415
	705	550	450	360	80	10	325	55	M24	375	36	1.590	803	SPR110020	625	AZ0415
	815	550	450	360	80	10	325	55	M24	375	36	1.590	883	SPR110025	685	AZ0415
	915	550	450	360	80	10	325	55	M24	375	36	1.590	943	SPR110030	735	AZ0415

**SINGLE ACTING, LOW PROFILE CYLINDERS,
LOAD OR SPRING RETURN**



LARZEP advantages

- Capacity from 4 to 150 Tn, stroke up to 16 mm.
- Two versions: SX for load return, and SMX for spring return.
- For use in confined spaces: machinery positioning, tool fastening.
- With two parallel faces for horizontal operation.
- Mounting bolt holes for easy fixing.
- Models up to 30 Tn are black nitrated.
- SX models from 50 to 150 Tn can be fitted with optional tilting saddles.



Low Height Single Acting Telescopic Cylinders, SLX.



Single Acting Hand Pumps, W.

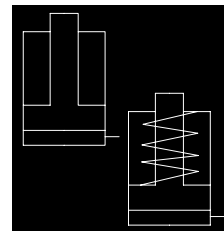
Page. 80

Carefully read and understand the safety instructions.



Coupler inclined 10°

SINGLE ACTING CYLINDERS



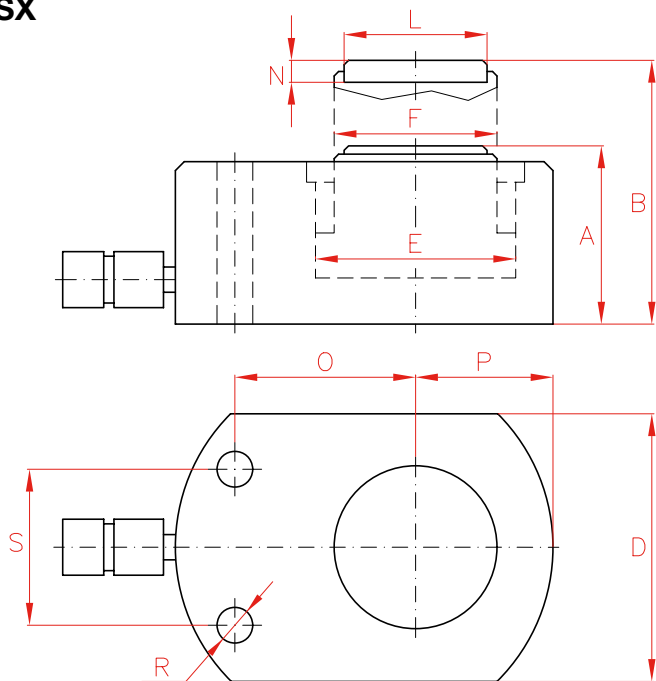
SX SMX

CYLINDERS

4-150 Tn.

700 bar

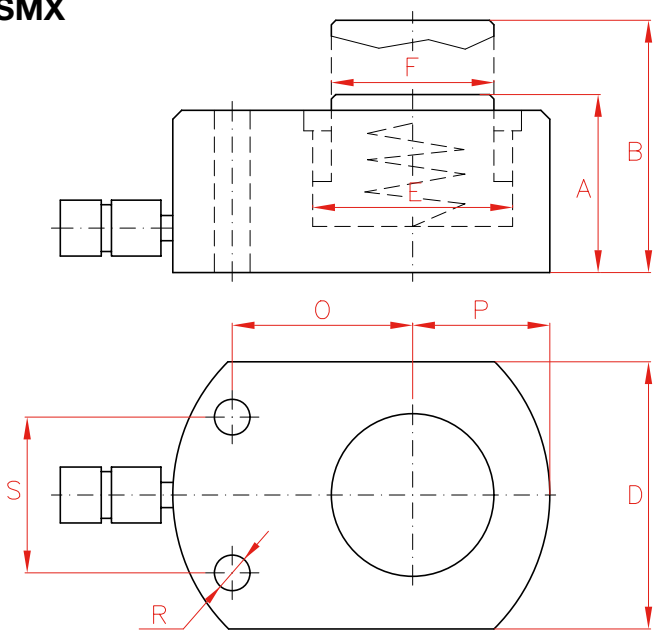
SX



Single Acting Cylinders,
High Tonnage, SSR

Page. 50

SMX



Single Acting Pancake
Lock Nut Cylinders, STX.

Page. 46



Optional Tilting Saddle for SX
models from 50 to 150 Tn.

Page. 112

Capacity		Stroke	Model	Model	Oil Cap.	A	B	D	E	F	L	N	O	P	S	R	Area	Weight
Tn	kN	mm	LARZEP	LARZEP	cm ³	mm	mm	mm	mm	mm	mm	mm	mm	mm	mm	mm	cm ²	kg
4	44	6	SX00406	SMX00406	4	33	39	41	28,5	25	-	-	20	21	28	5,5	6	0,8
		16	SX00416	SMX00416	11	43	59	41	28,5	25	-	-	20	21	28	5,5	6	1,2
10	100	11	SX01011	SMX01011	16	43	54	56	43	38	-	-	33	29	37	6,5	15	1,6
22	228	11	SX02211	SMX02211	37	52	63	80	65	57	-	-	39	41	50	9	33	2,8
30	287	13	SX03013	SMX03013	55	59	72	95	73	60	-	-	46	47	52	11	42	4,1
50	487	16	SX05016	SMX05016	114	68	84	114	95	78	61	12	56	58	67	13	71	6,6
75	713	16	SX07516	SMX07516	167	79	95	140	115	95	76	15	66	70,5	75	13	104	12,5
100	954	16	SX10016	SMX10016	223	87	103	162	133	108	88	14	70	89	76	6,6	139	15,0
150	1.450	16	SX15016	SMX15016	338	100	116	194	164	134	111	15	78	108	117	9	211	25,0

**SINGLE ACTING LOCK NUT CYLINDERS,
LOAD RETURN**



LARZEP advantages

- Capacity from 30 to 1.100 Tn, stroke up to 300 mm.
- The lock nut holds the load mechanically for extended periods of time.
- Load return. Lock nut tested under 50% overload.
- Hydraulic end of stroke overflow port. Red band warning. Mechanical end of stroke available as special.
- Used for foundation supporting, bridge construction and shipbuilding.

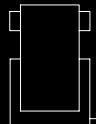
Carefully read and understand the safety instructions.



For confined spaces, use STX models.



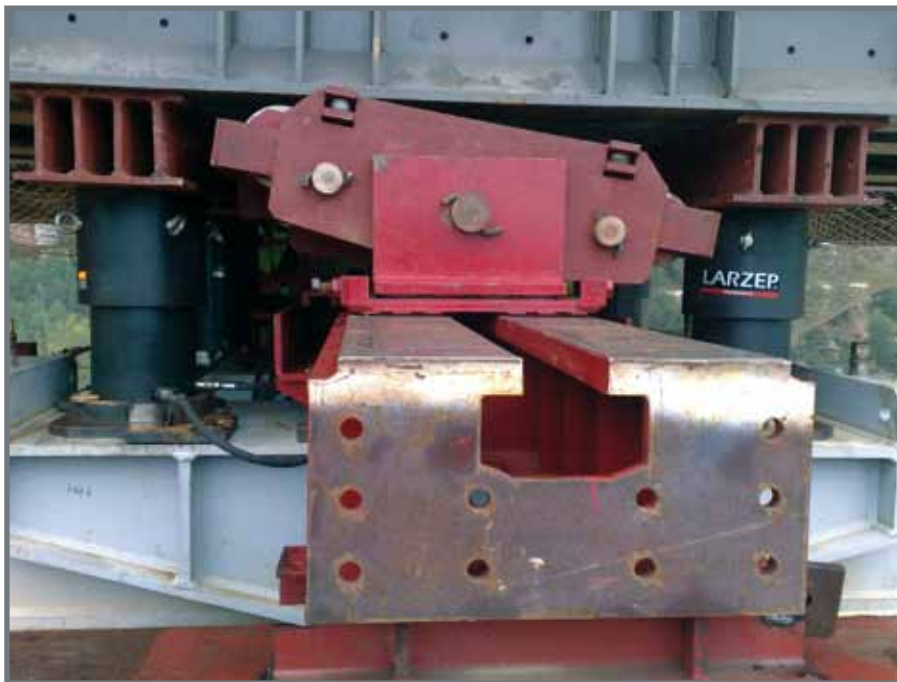
S/A LOCK NUT CYLINDERS



STR

30-1.100 Tn.

700 bar



DTC models, double acting cylinders up to 2.000 Tn, low height with lock nut available upon request.



Powerpacks.
Page. 88



Aluminium Single Acting Spring Return Cylinders with Lock Nut and Stop Ring, SATM.
Page. 42



Aluminium Single Acting Cylinders with Lock Nut, SAT.
Page. 38



Aluminium Single Acting Spring Return Cylinders with Lock Nut and Stop Ring, SATM.

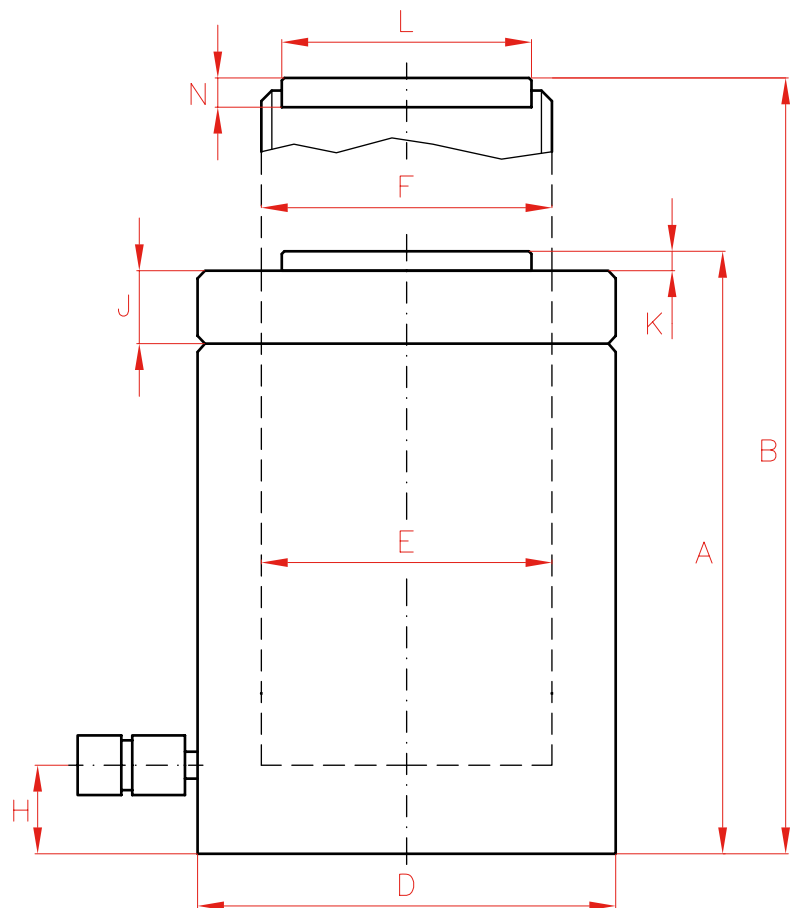
Page. 42



Single Acting Hand Pumps, W.

Page. 80

Carefully read and understand the safety instructions.



Capacity		Stroke	Model	Oil Cap.	A
Tn	kN	mm	LARZEP	cm ³	mm
30	303	50	STR03005	221	169
		100	STR03010	442	219
		150	STR03015	663	269
		200	STR03020	884	319
		300	STR03030	1.325	419
50	487	50	STR05005	355	155
		100	STR05010	709	205
		150	STR05015	1.062	260
		200	STR05020	1.418	310
		250	STR05025	1.772	365
		300	STR05030	2.127	415
100	911	50	STR10005	664	180
		100	STR10010	1.327	230
		150	STR10015	1.991	285
		200	STR10020	2.654	335
		250	STR10025	3.318	390
		300	STR10030	3.981	440
140	1.380	50	STR14005	1.005	201
		100	STR14010	2.011	251
		150	STR14015	3.016	311
		200	STR14020	4.021	361
		250	STR14025	5.026	421
		300	STR14030	6.032	471
220	2.156	50	STR22005	1.571	208
		100	STR22010	3.142	258
		150	STR22015	4.712	318
		200	STR22020	6.283	368
		250	STR22025	7.854	433
		300	STR22030	9.425	483
350	3.368	50	STR35005	2.545	238
		100	STR35010	4.909	288
		150	STR35015	7.363	348
		200	STR35020	9.817	398
		250	STR35025	12.272	458
		300	STR35030	14.726	508



Aluminium Single Acting Cylinders with Lock Nut, SAT.

Page. 38



Optional Tilting Saddle.

Page. 112

	B	D	E	F	H	J	K	L	N	Area	Weight	Model	With tilting saddle	
	mm	mm	mm	mm	mm	mm	mm	mm	mm	cm ²	kg	LARZEP	A	Model
	219	100	75	Tr 75x4	25	30	3	45	11	44	10,3	STR03005	194	AZ0401
	319	100	75	Tr 75x4	25	30	3	45	11	44	13,2	STR03010	244	AZ0401
	419	100	75	Tr 75x4	25	30	3	45	11	44	17,2	STR03015	294	AZ0401
	519	100	75	Tr 75x4	25	30	3	45	11	44	19,2	STR03020	344	AZ0401
	719	100	75	Tr 75x4	25	30	3	45	11	44	25,9	STR03030	444	AZ0401
	205	125	95	Tr 95x4	25	21	3	61	12	71	15	STR05005	182	AZ0402
	305	125	95	Tr 95x4	25	21	3	61	12	71	20	STR05010	232	AZ0402
	410	125	95	Tr 95x4	25	21	3	61	12	71	25	STR05015	287	AZ0402
	510	125	95	Tr 95x4	25	21	3	61	12	71	30	STR05020	337	AZ0402
	615	125	95	Tr 95x4	25	21	3	61	12	71	35	STR05025	392	AZ0402
	715	125	95	Tr 95x4	25	21	3	61	12	71	40	STR05030	442	AZ0402
	230	170	130	Tr 130x6	30	31	3	88	14	133	31	STR10005	213	AZ0404
	330	170	130	Tr 130x6	30	31	3	88	14	133	40	STR10010	263	AZ0404
	435	170	130	Tr 130x6	30	31	3	88	14	133	50	STR10015	318	AZ0404
	535	170	130	Tr 130x6	30	31	3	88	14	133	59	STR10020	368	AZ0404
	640	170	130	Tr 130x6	30	31	3	88	14	133	69	STR10025	423	AZ0404
	740	170	130	Tr 130x6	30	31	3	88	14	133	78	STR10030	473	AZ0404
	251	200	160	Tr 160x6	35	38	3	88	14	201	49	STR14005	234	AZ0404
	351	200	160	Tr 160x6	35	38	3	88	14	201	61	STR14010	284	AZ0404
	461	200	160	Tr 160x6	35	38	3	88	14	201	76	STR14015	344	AZ0404
	561	200	160	Tr 160x6	35	38	3	88	14	201	88	STR14020	394	AZ0404
	671	200	160	Tr 160x6	35	38	3	88	14	201	103	STR14025	454	AZ0404
	771	200	160	Tr 160x6	35	38	3	88	14	201	115	STR14030	504	AZ0404
	258	250	200	Tr 200x6	40	40	3	111	15	314	79	STR22005	245	AZ0405
	358	250	200	Tr 200x6	40	40	3	111	15	314	98	STR22010	295	AZ0405
	468	250	200	Tr 200x6	40	40	3	111	15	314	121	STR22015	355	AZ0405
	568	250	200	Tr 200x6	40	40	3	111	15	314	140	STR22020	405	AZ0405
	683	250	200	Tr 200x6	40	40	3	111	15	314	165	STR22025	470	AZ0405
	783	250	200	Tr 200x6	40	40	3	111	15	314	184	STR22030	520	AZ0405
	288	310	250	Tr 250x6	50	50	3	178	23	491	139	STR35005	282	AZ0408
	388	310	250	Tr 250x6	50	50	3	178	23	491	169	STR35010	332	AZ0408
	498	310	250	Tr 250x6	50	50	3	178	23	491	204	STR35015	392	AZ0408
	598	310	250	Tr 250x6	50	50	3	178	23	491	233	STR35020	442	AZ0408
	708	310	250	Tr 250x6	50	50	3	178	23	491	269	STR35025	502	AZ0408
	808	310	250	Tr 250x6	50	50	3	178	23	491	298	STR35030	552	AZ0408

Carefully read and understand the safety instructions.



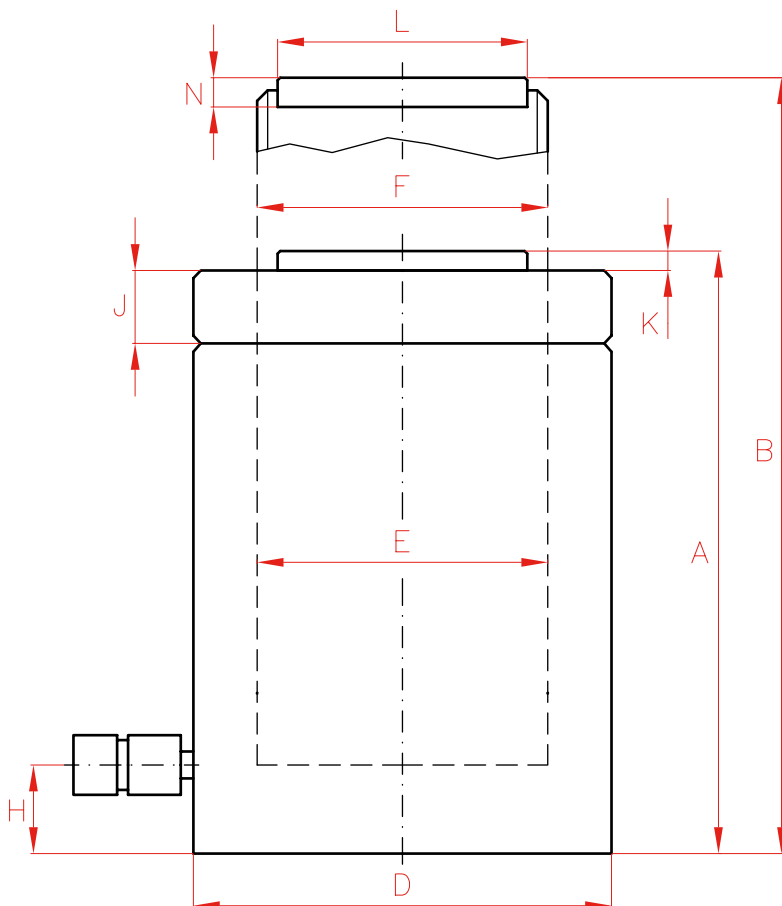
Coupler 3/8"-18 NPT included.

Page. 108



Pressure Gauges.

Page. 116



Capacity		Stroke	Model	Oil Cap.	A
Tn	kN	mm	LARZEP	cm ³	mm
430	4.224	50	STR43005	3.079	250
		100	STR43010	6.158	300
		150	STR43015	9.236	365
		200	STR43020	12.315	415
		250	STR43025	15.394	480
		300	STR43030	18.473	530
560	5.517	50	STR56005	4.021	280
		100	STR56010	8.042	330
		150	STR56015	12.064	395
		200	STR56020	16.085	445
		250	STR56025	20.106	510
		300	STR56030	24.127	560
670	6.600	50	STR67005	4.811	305
		100	STR67010	9.621	355
		150	STR67015	14.432	420
		200	STR67020	19.242	470
		250	STR67025	24.053	535
		300	STR67030	28.863	585
880	8.620	50	STR88005	6.283	325
		100	STR88010	12.566	375
		150	STR88015	18.849	440
		200	STR88020	25.133	490
		250	STR88025	31.416	555
		300	STR88030	37.699	605
1.100	10.905	50	STR110005	7.952	340
		100	STR110010	15.904	420
		150	STR110015	23.856	485
		200	STR110020	31.808	535
		250	STR110025	39.760	600
		300	STR110030	47.713	650

Performance under Pressure



Powerpacks.

Page. 88



Hoses.

Page. 106



Optional Tilting Saddle.

Page. 112

	B	D	E	F	H	J	K	L	N	Area	Weight	Model	With tilting saddle	
	mm	mm	mm	mm	mm	mm	mm	mm	mm	cm ²	kg	LARZEP	A	Model
	300	340	280	Tr 280x6	55	55	5	178	23	616	175	STR43005	294	AZ0408
	400	340	280	Tr 280x6	55	55	5	178	23	616	210	STR43010	344	AZ0408
	515	340	280	Tr 280x6	55	55	5	178	23	616	258	STR43015	409	AZ0408
	615	340	280	Tr 280x6	55	55	5	178	23	616	292	STR43020	459	AZ0408
	730	340	280	Tr 280x6	55	55	5	178	23	616	338	STR43025	524	AZ0408
	830	340	280	Tr 280x6	55	55	5	178	23	616	373	STR43030	574	AZ0408
	330	390	320	Tr 320x6	65	60	5	200	27	804	263	STR56005	332	AZ0411
	430	390	320	Tr 320x6	65	60	5	200	27	804	310	STR56010	382	AZ0411
	545	390	320	Tr 320x6	65	60	5	200	27	804	370	STR56015	447	AZ0411
	645	390	320	Tr 320x6	65	60	5	200	27	804	417	STR56020	497	AZ0411
	760	390	320	Tr 320x6	65	60	5	200	27	804	478	STR56025	562	AZ0411
	860	390	320	Tr 320x6	65	60	5	200	27	804	524	STR56030	612	AZ0411
	355	430	350	Tr 350x6	65	75	5	200	27	962	343	STR67005	357	AZ0411
	455	430	350	Tr 350x6	65	75	5	200	27	962	400	STR67010	407	AZ0411
	570	430	350	Tr 350x6	65	75	5	200	27	962	473	STR67015	472	AZ0411
	670	430	350	Tr 350x6	65	75	5	200	27	962	530	STR67020	522	AZ0411
	785	430	350	Tr 350x6	65	75	5	200	27	962	604	STR67025	587	AZ0411
	885	430	350	Tr 350x6	65	75	5	200	27	962	660	STR67030	637	AZ0411
	375	490	400	Tr 400x6	70	85	5	250	35	1.256	474	STR88005	395	AZ0413
	475	490	400	Tr 400x6	70	85	5	250	35	1.256	548	STR88010	445	AZ0413
	590	490	400	Tr 400x6	70	85	5	250	35	1.256	643	STR88015	510	AZ0413
	690	490	400	Tr 400x6	70	85	5	250	35	1.256	717	STR88020	560	AZ0413
	805	490	400	Tr 400x6	70	85	5	250	35	1.256	813	STR88025	625	AZ0413
	905	490	400	Tr 400x6	70	85	5	250	35	1.256	886	STR88030	675	AZ0413
	390	550	450	Tr 450x6	80	95	5	325	55	1.590	681	STR110005	460	AZ0415
	520	550	450	Tr 450x6	80	95	5	325	55	1.590	773	STR110010	540	AZ0415
	635	550	450	Tr 450x6	80	95	5	325	55	1.590	894	STR110015	605	AZ0415
	735	550	450	Tr 450x6	80	95	5	325	55	1.590	987	STR110020	655	AZ0415
	850	550	450	Tr 450x6	80	95	5	325	55	1.590	1.107	STR110025	720	AZ0415
	950	550	450	Tr 450x6	80	95	5	325	55	1.590	1.200	STR110030	770	AZ0415

ALUMINIUM SINGLE ACTING CYLINDERS, LOCK NUT, LOAD RETURN



LARZEP advantages

- Capacity from 30 to 200 Tn, stroke up to 300 mm.
- Load return. Lock nut tested under 50% overload.
- Made out of high strength aluminium alloy.
- All aluminium parts are treated to improve resistance and extend working life.
- Hydraulic end of stroke overflow port. Red band warning. Mechanical end of stroke in SATM models.
- Used for foundation supporting, bridge construction, buildings and shipbuilding.
- Lightweight. Over 40% weight reduction when compared with steel equivalent.
- Fitted with steel base plate and saddle for wear resistance.
- The lock nut holds the load mechanically for long periods of time.
- Not suitable for high cycle applications



Flow Control Valves.

Page. 110

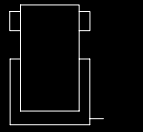


Fittings and Manifolds.

Page. 114



ALUM. S/A LOCK NUT CYL.



SAT

30-200 Tn.

700 bar

CYLINDERS

Larzep designs and manufactures special cylinders and fixing systems, upon request.



Aluminium Single Acting, Spring Return Cylinders, with Lock Nut and Stop Ring, SATM.

Page. 42



Single Acting Lock Nut Cylinders, Load Return, STR.

Page. 32

Carefully read and understand the safety instructions.



Aluminium Double Acting Cylinders, DDA.

Page. 60



Powerpacks.

Page. 88

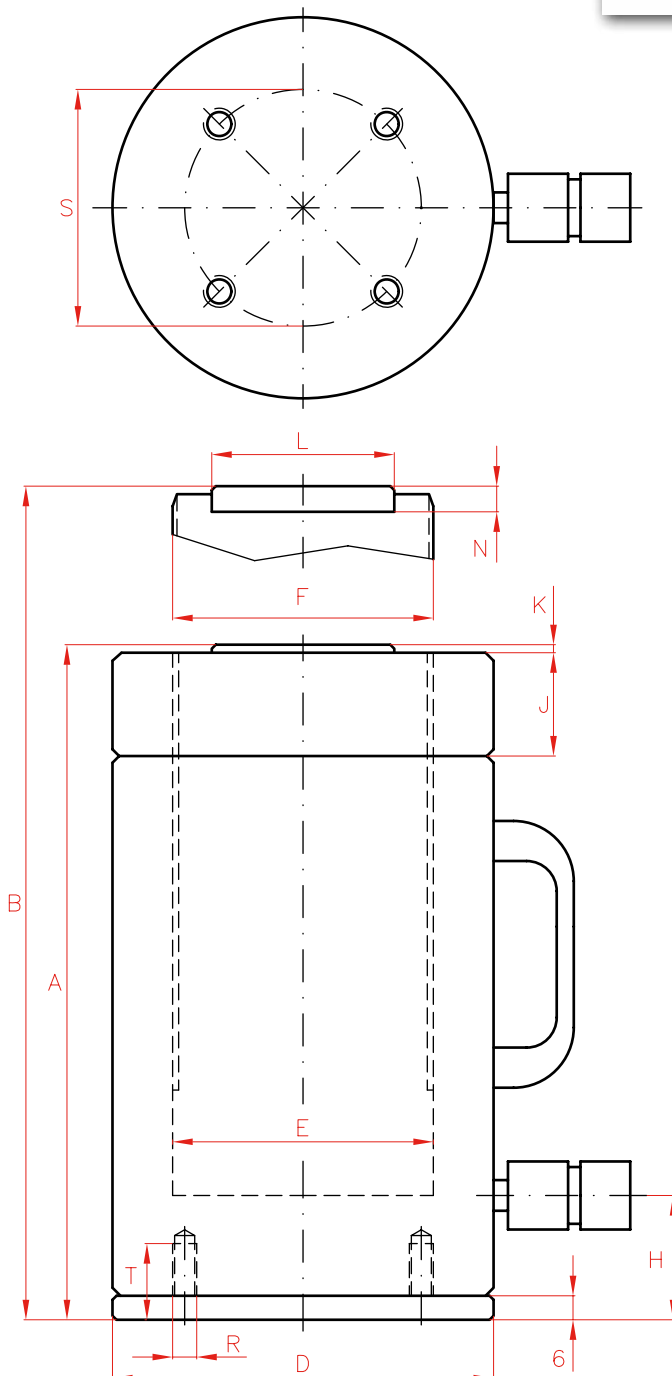


Single Acting Hand Pumps, W.
Page. 80



Air Hydraulic Pumps, Z, ZR.

Page. 82



Capacity		Stroke	Model	Oil Cap.	A	B	
Tn	kN	mm	LARZEP	cm ³	mm	mm	
30	303	50	SAT03005	221	173	223	
		100	SAT03010	442	223	323	
		150	SAT03015	663	273	423	
		200	SAT03020	884	333	533	
		250	SAT03025	1.104	383	633	
		300	SAT03030	1.325	433	733	
50	487	50	SAT05005	354	193	243	
		100	SAT05010	709	243	343	
		150	SAT05015	1.063	293	443	
		200	SAT05020	1.418	353	553	
		250	SAT05025	1.772	403	653	
		300	SAT05030	2.126	453	753	
100	911	50	SAT10005	664	216	266	
		100	SAT10010	1.327	266	366	
		150	SAT10015	1.991	326	476	
		200	SAT10020	2.655	376	576	
		250	SAT10025	3.318	446	696	
		300	SAT10030	3.982	496	796	
140	1.380	50	SAT14005	1.005	234	284	
		100	SAT14010	2.011	284	384	
		150	SAT14015	3.016	345	495	
		200	SAT14020	4.021	395	595	
		250	SAT14025	5.027	465	715	
		300	SAT14030	6.032	515	815	
200	1.946	50	SAT20005	1.418	249	299	
		100	SAT20010	2.835	299	399	
		150	SAT20015	4.253	364	514	
		200	SAT20020	5.671	414	614	
		250	SAT20025	7.088	479	729	
		300	SAT20030	8.506	529	829	



Hoses.

Page. 106



Quick Couplers.

Page. 108



Pressure Gauges.

Page. 116



Optional Tilting Saddle.

Page. 112

	D	E	F	H	J	K	L	N	R	S	T	Area	Weight	Model	With tilting saddle	
	mm	mm	mm	mm	mm	mm	mm	mm		mm	mm	cm ²	kg	LARZEP	A	Model
	105	75	Tr 75x4	24	25	3	45	11	M6	85	19	44	4,4	SAT03005	198	AZ0401
	105	75	Tr 75x4	24	25	3	45	11	M6	85	19	44	5,6	SAT03010	248	AZ0401
	105	75	Tr 75x4	24	25	3	45	11	M6	85	19	44	6,8	SAT03015	298	AZ0401
	105	75	Tr 75x4	24	25	3	45	11	M6	85	19	44	8,0	SAT03020	358	AZ0401
	105	75	Tr 75x4	24	25	3	45	11	M6	85	19	44	9,2	SAT03025	408	AZ0401
	105	75	Tr 75x4	24	25	3	45	11	M6	85	19	44	10,5	SAT03030	458	AZ0401
	135	95	Tr 95x4	26	35	3	61	12	M6	115	19	71	7,9	SAT05005	220	AZ0402
	135	95	Tr 95x4	26	35	3	61	12	M6	115	19	71	9,9	SAT05010	270	AZ0402
	135	95	Tr 95x4	26	35	3	61	12	M6	115	19	71	11,9	SAT05015	320	AZ0402
	135	95	Tr 95x4	26	35	3	61	12	M6	115	19	71	13,9	SAT05020	380	AZ0402
	135	95	Tr 95x4	26	35	3	61	12	M6	115	19	71	15,9	SAT05025	430	AZ0402
	135	95	Tr 95x4	26	35	3	61	12	M6	115	19	71	17,9	SAT05030	480	AZ0402
	180	130	Tr 130x6	32	42	3	88	14	M6	160	19	133	15,6	SAT10005	249	AZ0404
	180	130	Tr 130x6	32	42	3	88	14	M6	160	19	133	19,2	SAT10010	299	AZ0404
	180	130	Tr 130x6	32	42	3	88	14	M6	160	19	133	22,8	SAT10015	359	AZ0404
	180	130	Tr 130x6	32	42	3	88	14	M6	160	19	133	26,4	SAT10020	409	AZ0404
	180	130	Tr 130x6	32	42	3	88	14	M6	160	19	133	29,9	SAT10025	479	AZ0404
	180	130	Tr 130x6	32	42	3	88	14	M6	160	19	133	33,5	SAT10030	529	AZ0404
	225	160	Tr 160x6	43	50	3	88	14	M6	200	19	201	26,0	SAT14005	267	AZ0404
	225	160	Tr 160x6	43	50	3	88	14	M6	200	19	201	31,6	SAT14010	317	AZ0404
	225	160	Tr 160x6	43	50	3	88	14	M6	200	19	201	37,2	SAT14015	378	AZ0404
	225	160	Tr 160x6	43	50	3	88	14	M6	200	19	201	43,1	SAT14020	428	AZ0404
	225	160	Tr 160x6	43	50	3	88	14	M6	200	19	201	48,3	SAT14025	498	AZ0404
	225	160	Tr 160x6	43	50	3	88	14	M6	200	19	201	53,9	SAT14030	548	AZ0404
	265	190	Tr 190x6	43	60	3	111	15	M6	225	19	284	42,9	SAT20005	286	AZ0405
	265	190	Tr 190x6	43	60	3	111	15	M6	225	19	284	50,6	SAT20010	336	AZ0405
	265	190	Tr 190x6	43	60	3	111	15	M6	225	19	284	58,4	SAT20015	401	AZ0405
	265	190	Tr 190x6	43	60	3	111	15	M6	225	19	284	66,1	SAT20020	451	AZ0405
	265	190	Tr 190x6	43	60	3	111	15	M6	225	19	284	73,9	SAT20025	516	AZ0405
	265	190	Tr 190x6	43	60	3	111	15	M6	225	19	284	81,6	SAT20030	566	AZ0406

**ALUMINIUM SINGLE ACTING CYLINDERS,
LOCK NUT, STOP RING, SPRING RETURN**



LARZEP advantages

- Capacity from 30 to 200 Tn, stroke up to 300 mm.
- Spring return. Lock nut tested under 50% overload.
- Mechanical end of stroke gland avoids over travel at full pressure.
- Made out of high strength aluminium alloy.
- All aluminium parts are treated to improve resistance and extend working life.
- Lightweight. Over 40% weight reduction when compared with steel equivalent.
- Fitted with steel base plate for wear resistance.
- The lock nut holds the load mechanically for extended periods of time.
- Not suitable for high cycle applications.



Quick couplers.

Page. 108



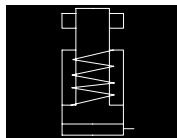
Pressure Gauges.

Page. 116

Carefully read and understand the safety instructions.



ALUM. S/A LOCK NUT SPRING R.



SATM

30-200 Tn.

700 bar

CYLINDERS



Aluminium Single Acting Lock Nut Cylinders, SAT.

Page. 38



Single Acting Pancake Cylinders, Lock Nut and Tilting Saddle, STX.

Page. 46

Larzep designs and manufactures special cylinders and fixing systems, upon request.



Single Acting Lock Nut Cylinders, Load Return, STR.

Page. 32



Powerpacks.

Page. 88



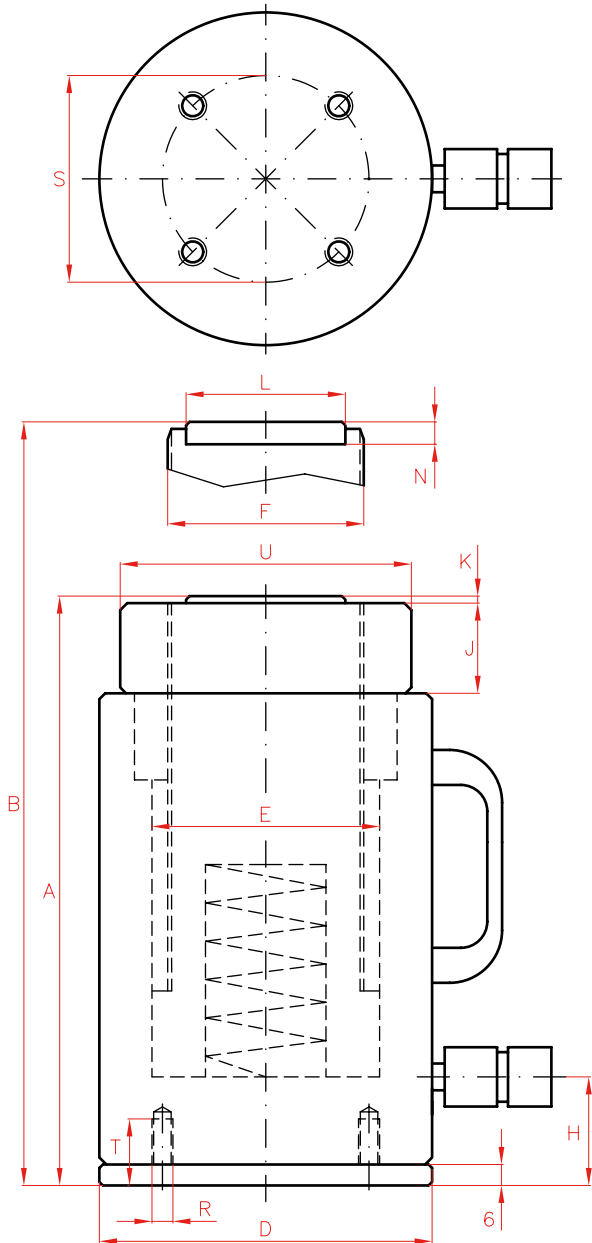
Single Acting Hand Pumps, W.

Page. 80



Air Hydraulic Pumps.

Page. 82



Capacity		Stroke	Model	Oil Cap.	A	B	D
Tn	kN	mm	LARZEP	cm ³	mm	mm	mm
30	303	50	SATM03005	221	189	239	105
		100	SATM03010	442	239	339	105
		150	SATM03015	663	289	439	105
		200	SATM03020	884	339	539	105
		250	SATM03025	1.104	389	639	105
		300	SATM03030	1.325	439	739	105
50	487	50	SATM05005	355	216	266	135
		100	SATM05010	709	266	366	135
		150	SATM05015	1.063	316	466	135
		200	SATM05020	1.418	366	566	135
		250	SATM05025	1.772	416	666	135
		300	SATM05030	2.127	466	766	135
100	911	50	SATM10005	663	258	308	180
		100	SATM10010	1.326	308	408	180
		150	SATM10015	1.989	358	508	180
		200	SATM10020	2.652	408	608	180
		250	SATM10025	3.315	458	708	180
		300	SATM10030	3.978	508	808	180
140	1.380	50	SATM14005	1.005	282	332	225
		100	SATM14010	2.011	332	432	225
		150	SATM14015	3.016	382	532	225
		200	SATM14020	4.021	432	632	225
		250	SATM14025	5.027	482	732	225
		300	SATM14030	6.032	532	832	225
200	1.946	50	SATM20005	1.418	296	346	265
		100	SATM20010	2.835	346	446	265
		150	SATM20015	4.253	396	546	265
		200	SATM20020	5.670	446	646	265
		250	SATM20025	7.088	496	746	265
		300	SATM20030	8.506	546	846	265



Flow Control Valves.

Page. 110



Fittings and Manifolds.

Page. 114

Carefully read and understand the safety instructions.



Optional Tilting Saddle.

Page. 112

	E	F	H	J	K	L	N	R	S	T	U	Area	Weight	Model	With tilting saddle	
	mm	mm	mm	mm	mm	mm	mm		mm	mm	mm	cm ²	kg	LARZEP	A	Model
	75	Tr 60x4	24	35	3	45	11	M6	85	19	95	44	4,9	SATM03005	214	AZ0401
	75	Tr 60x4	24	35	3	45	11	M6	85	19	95	44	5,9	SATM03010	264	AZ0401
	75	Tr 60x4	24	35	3	45	11	M6	85	19	95	44	6,9	SATM03015	314	AZ0401
	75	Tr 60x4	24	35	3	45	11	M6	85	19	95	44	7,9	SATM03020	364	AZ0401
	75	Tr 60x4	24	35	3	45	11	M6	85	19	95	44	8,9	SATM03025	414	AZ0401
	75	Tr 60x4	24	35	3	45	11	M6	85	19	95	44	9,8	SATM03030	464	AZ0401
	95	Tr 80x4	26	40	3	61	12	M6	115	19	125	71	9,4	SATM05005	243	AZ0402
	95	Tr 80x4	26	40	3	61	12	M6	115	19	125	71	11,1	SATM05010	293	AZ0402
	95	Tr 80x4	26	40	3	61	12	M6	115	19	125	71	12,8	SATM05015	343	AZ0402
	95	Tr 80x4	26	40	3	61	12	M6	115	19	125	71	14,6	SATM05020	393	AZ0402
	95	Tr 80x4	26	40	3	61	12	M6	115	19	125	71	16,3	SATM05025	443	AZ0402
	95	Tr 80x4	26	40	3	61	12	M6	115	19	125	71	18,0	SATM05030	493	AZ0402
	130	Tr 110x4	32	50	3	88	14	M6	160	19	170	133	18,0	SATM10005	291	AZ0404
	130	Tr 110x4	32	50	3	88	14	M6	160	19	170	133	21,0	SATM10010	341	AZ0404
	130	Tr 110x4	32	50	3	88	14	M6	160	19	170	133	24,1	SATM10015	391	AZ0404
	130	Tr 110x4	32	50	3	88	14	M6	160	19	170	133	27,1	SATM10020	441	AZ0404
	130	Tr 110x4	32	50	3	88	14	M6	160	19	170	133	30,1	SATM10025	491	AZ0404
	130	Tr 110x4	32	50	3	88	14	M6	160	19	170	133	33,2	SATM10030	541	AZ0404
	160	Tr 140x6	43	60	3	88	14	M6	200	19	210	201	32,6	SATM14005	315	AZ0404
	160	Tr 140x6	43	60	3	88	14	M6	200	19	210	201	37,5	SATM14010	365	AZ0404
	160	Tr 140x6	43	60	3	88	14	M6	200	19	210	201	42,4	SATM14015	415	AZ0404
	160	Tr 140x6	43	60	3	88	14	M6	200	19	210	201	47,4	SATM14020	465	AZ0404
	160	Tr 140x6	43	60	3	88	14	M6	200	19	210	201	52,3	SATM14025	515	AZ0404
	160	Tr 140x6	43	60	3	88	14	M6	200	19	210	201	57,2	SATM14030	565	AZ0404
	190	Tr 170x6	51	65	3	111	15	M6	225	19	250	284	52,7	SATM20005	333	AZ0405
	190	Tr 170x6	51	65	3	111	15	M6	225	19	250	284	58,6	SATM20010	383	AZ0405
	190	Tr 170x6	51	65	3	111	15	M6	225	19	250	284	64,5	SATM20015	433	AZ0405
	190	Tr 170x6	51	65	3	111	15	M6	225	19	250	284	70,5	SATM20020	483	AZ0405
	190	Tr 170x6	51	65	3	111	15	M6	225	19	250	284	76,4	SATM20025	533	AZ0405
	190	Tr 170x6	51	65	3	111	15	M6	225	19	250	284	82,3	SATM20030	583	AZ0405

SINGLE ACTING, PANCAKE CYLINDERS, LOCK NUT, TILTING SADDLE



LARZEP advantages

- Capacity from 50 to 1.100 Tn, stroke up to 50 mm.
- Load return. Lock nut tested under 50% overload.
- The lock nut holds the load mechanically for extended periods of time.
- Hydraulic end of stroke overflow port. Without stop ring.
- Built-in tilting saddle to improve side load resistance.
- Special coating as standard to improve corrosion and side load resistance.



Single acting hand pumps, W.

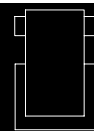
Page. 80



Powerpacks.

Page. 88

S/A LOCK NUT CYLINDERS



STX

50-1.100 Tn.

700 bar



Built-in Tilting Saddle.

Carefully read and understand the safety instructions.



Single Acting Lock Nut Cylinders, Load Return, STR.

Page. 32



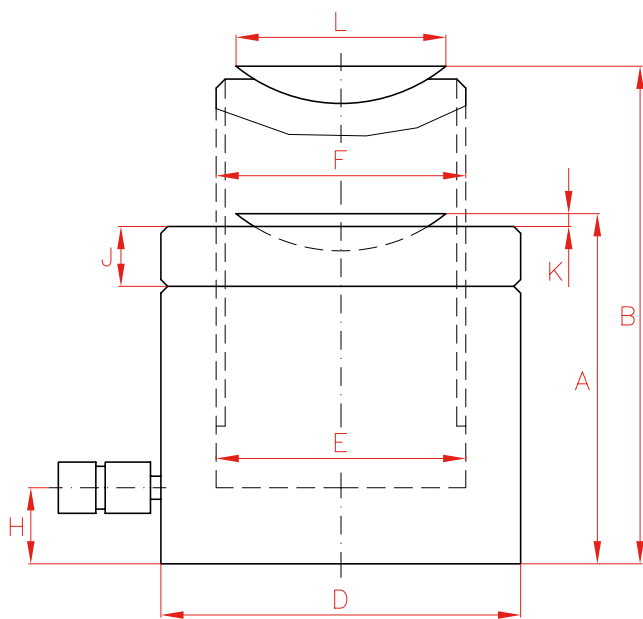
Low Height Single Acting Cylinders, Load or Spring Return, SX - SMX.

Page. 30



Low Height, Single Acting Cylinders, High Tonnage, SPR.

Page. 24



Capacity		Stroke	Model	Oil Cap.	A	B	D	E	F	H	J	K	L	Area	Weight
Tn	kN	mm	LARZEP	cm ³	mm	mm	mm	mm	mm	mm	mm	mm	mm	cm ²	kg
50	486	50	STX05005	355	125	175	120	95	Tr 95x4	19	21	6	92	71	11
90	911	45	STX09004	597	137	182	165	130	Tr 130x6	21	31	8	126	133	22
140	1.380	45	STX14004	905	148	193	200	160	Tr 160x6	27	38	9	148	201	39
220	2.156	45	STX22004	1.413	155	200	255	200	Tr 200x6	28	40	10	157	314	62
350	3.468	45	STX35004	2.208	178	223	310	250	Tr 250x6	35	50	11	240	491	111
430	4.227	45	STX43004	2.771	184	229	340	280	Tr 280x6	35	55	10	260	616	126
550	5.520	45	STX56004	3.618	192	237	390	320	Tr 320x6	38	60	10	295	804	193
670	6.600	45	STX67004	4.330	236	281	430	350	Tr 350x6	50	75	15	295	962	259
880	8.620	45	STX88004	5.655	268	313	490	400	Tr 400x6	60	85	20	325	1.257	482
1.100	10.905	45	STX110004	7.157	295	340	550	450	Tr 450x6	65	95	25	400	1.590	532

SINGLE ACTING TELESCOPIC CYLINDERS



LARZEP advantages

- Capacity from 10 to 30 Tn, stroke up to 600 mm.
- For applications with minimum clearance and high lift required.
- Load return.
- Double acting DL, aluminium double acting DLA and aluminium single acting SLA available as special.



Low Height Single Acting Telescopic Cylinders, SLX.

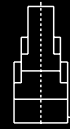
Capacity	Model	1 st Stage			2 nd Stage			
		Capacity	Stroke	Area	Capacity	Stroke	Area	
Tn		kN	mm	cm ²	kN	mm	cm ²	
10	SL01027	303	135	44	109	270	16	
	SL01043	652	145	95	303	290	44	
15	SL01530	436	150	64	163	300	24	
	SL01550	842	170	123	463	340	64	
30	SL03030	652	150	95	303	300	44	
	SL03060	1.380	200	201	652	400	95	

Performance under Pressure



Double Acting Telescopic Cylinder, DLA.

TELESCOPIC CYLINDERS



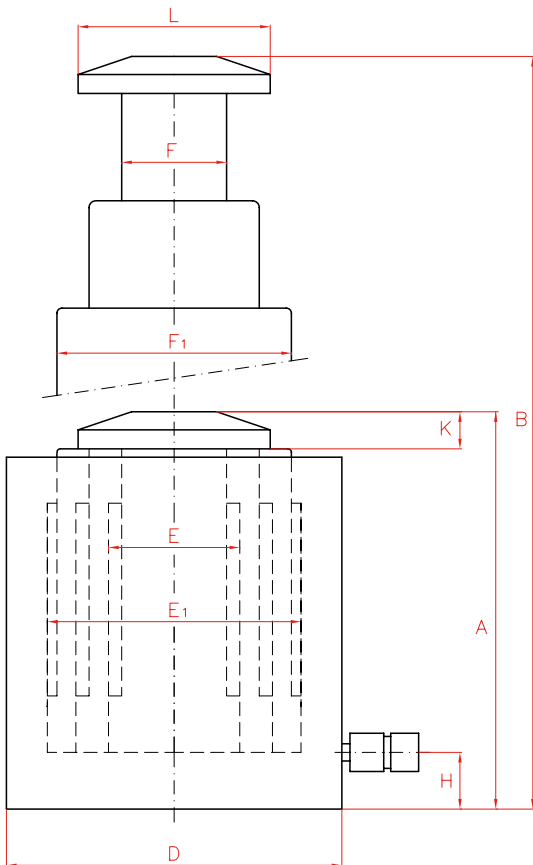
SL

10-30 Tn.

700 bar

CYLINDERS

Larzep designs and manufactures special cylinders upon request.



Telescopic Aluminium Cylinders, DLA.



Coupler 3/8"-18 NPT included.

Page. 108

	3 rd Stage			Model	Oil Cap.	A	B	D	E	E1	F	F1	H	K	L	Weight
	Capacity	Stroke	Area													
	kN	mm	cm ²		cm ³	mm	mm	mm	mm	mm	mm	mm	mm	mm	mm	kg
-	-	-	-	SL01027	810	250	520	110	45	75	36	68	20	16	50	16,2
109	435	16		SL01043	2.250	280	715	152	45	110	36	95	21	19	75	33,4
-	-	-	-	SL01530	1.308	280	580	125	55	90	50	80	25	16	66	23,4
163	500	24		SL01550	3.543	320	820	175	55	125	50	110	25	19	95	50,9
-	-	-	-	SL03030	2.088	304	604	152	75	110	68	100	27	18	89	38,3
303	600	44		SL03060	6.803	366	966	220	75	160	68	150	27	20	123	96,2

**SINGLE ACTING HIGH TONNAGE CYLINDERS,
LOAD RETURN**



LARZEP advantages

- Capacity from 140 to 1.100 Tn, stroke up to 300 mm.
- Load return. For weighing, lifting and positioning applications in Civil Engineering.
- Hydraulic end of stroke overflow port. For mechanical stop ring see SPR models.
- For confined spaces and loads up to 150 Tn, see SX and SP models.

Larzep designs and manufactures special cylinders up to 1.100 Tn capacity to place load cells for pile testing applications.



Low Height Single Acting Cylinders, SP.

Page. 20





S/A LOAD RETURN



SSR

140-1.100 Tn.

700 bar

CYLINDERS



Low Height Single Acting Cylinders, High Tonnage, SPR.

Page. 24



Double Acting Cylinders, DDR.

Page. 68



Low Height Single Acting Cylinders, Load or Spring Return, SX - SMX.

Page. 30

Carefully read and understand the safety instructions.



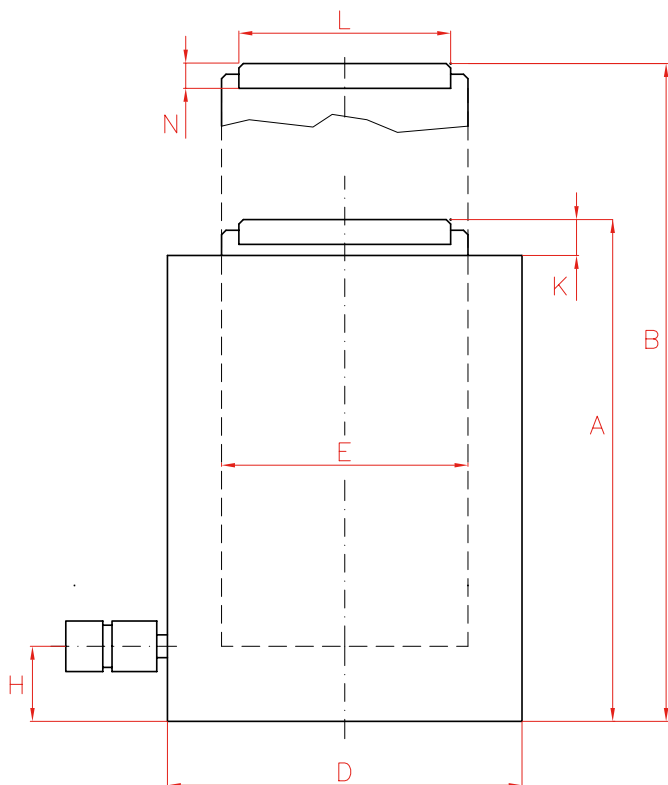
Optional Tilting Saddle.

Page. 112



Powerpacks.

Page. 88



Capacity		Stroke	Model	Oil Cap.	A	
Tn	kN	mm	LARZEP	cm ³	mm	
140	1.380	50	SSR14005	1.005	155	
		100	SSR14010	2.011	205	
		150	SSR14015	3.016	255	
		200	SSR14020	4.021	305	
		250	SSR14025	5.027	355	
		300	SSR14030	6.032	405	
220	2.156	50	SSR22005	1.571	170	
		100	SSR22010	3.142	220	
		150	SSR22015	4.712	270	
		200	SSR22020	6.283	320	
		250	SSR22025	7.854	370	
		300	SSR22030	9.425	420	
350	3.369	50	SSR35005	2.454	210	
		100	SSR35010	4.909	260	
		150	SSR35015	7.363	310	
		200	SSR35020	9.817	360	
		250	SSR35025	12.272	410	
		300	SSR35030	14.726	460	
430	4.224	50	SSR43005	3.079	215	
		100	SSR43010	6.158	265	
		150	SSR43015	9.236	315	
		200	SSR43020	12.315	365	
		250	SSR43025	15.394	415	
		300	SSR43030	18.473	465	
560	5.520	50	SSR56005	4.021	240	
		100	SSR56010	8.042	290	
		150	SSR56015	12.064	340	
		200	SSR56020	16.085	390	
		250	SSR56025	20.106	440	
		300	SSR56030	24.127	490	
670	6.600	50	SSR67005	4.811	260	
		100	SSR67010	9.621	315	
		150	SSR67015	14.432	365	
		200	SSR67020	19.242	415	
		250	SSR67025	24.053	465	
		300	SSR67030	28.863	515	
880	8.625	50	SSR88005	6.283	290	
		100	SSR88010	12.566	340	
		150	SSR88015	18.850	390	
		200	SSR88020	25.133	440	
		250	SSR88025	31.416	490	
		300	SSR88030	37.699	540	
1.100	10.916	50	SSR110005	7.952	340	
		100	SSR110010	15.904	390	
		150	SSR110015	23.856	440	
		200	SSR110020	31.809	490	
		250	SSR110025	39.761	540	
		300	SSR110030	47.713	590	

Performance under Pressure

	B	D	E	H	K	L	N	Area	Weight	Model	With tilting saddle	
	mm	mm	mm	mm	mm	mm	mm	cm ²	kg	LARZEP	A	Model
	205	200	160	35	6	88	15	201	38	SSR14005	187	AZ0404
	305	200	160	35	6	88	15	201	51	SSR14010	237	AZ0404
	405	200	160	35	6	88	15	201	63	SSR14015	287	AZ0404
	505	200	160	35	6	88	15	201	75	SSR14020	337	AZ0404
	605	200	160	35	6	88	15	201	88	SSR14025	387	AZ0404
	705	200	160	35	6	88	15	201	100	SSR14030	437	AZ0404
	220	250	200	40	7	111	15	314	64	SSR22005	207	AZ0405
	320	250	200	40	7	111	15	314	85	SSR22010	257	AZ0405
	420	250	200	40	7	111	15	314	104	SSR22015	307	AZ0405
	520	250	200	40	7	111	15	314	123	SSR22020	357	AZ0405
	620	250	200	40	7	111	15	314	143	SSR22025	407	AZ0405
	720	250	200	40	7	111	15	314	162	SSR22030	457	AZ0406
	260	310	250	50	7	178	23	491	123	SSR35005	254	AZ0408
	360	310	250	50	7	178	23	491	154	SSR35010	304	AZ0408
	460	310	250	50	7	178	23	491	184	SSR35015	354	AZ0408
	560	310	250	50	7	178	23	491	213	SSR35020	404	AZ0408
	660	310	250	50	7	178	23	491	243	SSR35025	454	AZ0408
	760	310	250	50	7	178	23	491	273	SSR35030	504	AZ0408
	265	340	280	55	7	178	23	616	151	SSR43005	259	AZ0408
	365	340	280	55	7	178	23	616	189	SSR43010	309	AZ0408
	465	340	280	55	7	178	23	616	225	SSR43015	359	AZ0408
	565	340	280	55	7	178	23	616	260	SSR43020	409	AZ0408
	665	340	280	55	7	178	23	616	296	SSR43025	459	AZ0408
	765	340	280	55	7	178	23	616	331	SSR43030	509	AZ0408
	290	390	320	60	7	200	27	804	223	SSR56005	292	AZ0411
	390	390	320	60	7	200	27	804	272	SSR56010	342	AZ0411
	490	390	320	60	7	200	27	804	319	SSR56015	392	AZ0411
	590	390	320	60	7	200	27	804	366	SSR56020	442	AZ0411
	690	390	320	60	7	200	27	804	413	SSR56025	492	AZ0411
	790	390	320	60	7	200	27	804	459	SSR56030	542	AZ0411
	310	430	350	65	7	200	27	962	294	SSR67005	312	AZ0411
	415	430	350	65	7	200	27	962	353	SSR67010	367	AZ0411
	515	430	350	65	7	200	27	962	416	SSR67015	417	AZ0411
	615	430	350	65	7	200	27	962	473	SSR67020	467	AZ0411
	715	430	350	65	7	200	27	962	530	SSR67025	517	AZ0411
	815	430	350	65	7	200	27	962	587	SSR67030	567	AZ0411
	340	490	400	70	10	250	35	1.257	423	SSR88005	360	AZ0413
	440	490	400	70	10	250	35	1.257	503	SSR88010	410	AZ0413
	540	490	400	70	10	250	35	1.257	577	SSR88015	460	AZ0413
	640	490	400	70	10	250	35	1.257	651	SSR88020	510	AZ0413
	740	490	400	70	10	250	35	1.257	725	SSR88025	560	AZ0413
	840	490	400	70	10	250	35	1.257	799	SSR88030	610	AZ0413
	390	550	450	80	10	325	55	1.590	622	SSR110005	460	AZ0415
	490	550	450	80	10	325	55	1.590	716	SSR110010	510	AZ0415
	590	550	450	80	10	325	55	1.590	810	SSR110015	560	AZ0415
	690	550	450	80	10	325	55	1.590	903	SSR110020	610	AZ0415
	790	550	450	80	10	325	55	1.590	996	SSR110025	660	AZ0415
	890	550	450	80	10	325	55	1.590	1.090	SSR110030	710	AZ0415

PULL CYLINDERS



LARZEP advantages

- Capacity from 5 to 50 Tn, stroke up to 150 mm.
- T and TE models are Spring Return. TD models are Double Acting.
- For pulling applications: to hook and join plates for welding, tensioning cables, etc.
- Optional rubber rod cover for piston protection extends cylinder life.
- Optional telescopic metallic rod cover especially suitable for welding applications.
- T series pull cylinders are available as options for the CA series maintenance sets. Plunger and base threads match the CA series accessories.

* Models equipped with metallic rod cover have a 30 mm shorter stroke.



Carefully read and understand the safety instructions.



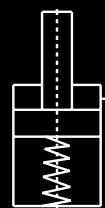
Capacity		Stroke	Model	Oil Cap.	A
Tn	kN	mm	LARZEP	cm ³	mm
5	54	140	T00514/5G	110	306
		140	T00514/10G	110	306
10	93	140	T01015	190	308
		150*	TE01015	204	576*
		150*	TD01015	356	576*
30	302	150*	TE03015	660	723*
		150*	TD03015	954	723*
50	483	150*	TE05015	1.056	757*
		150*	TD05015	1.425	757*



Maintenance Unit.

Page. 164

PULL CYLINDERS

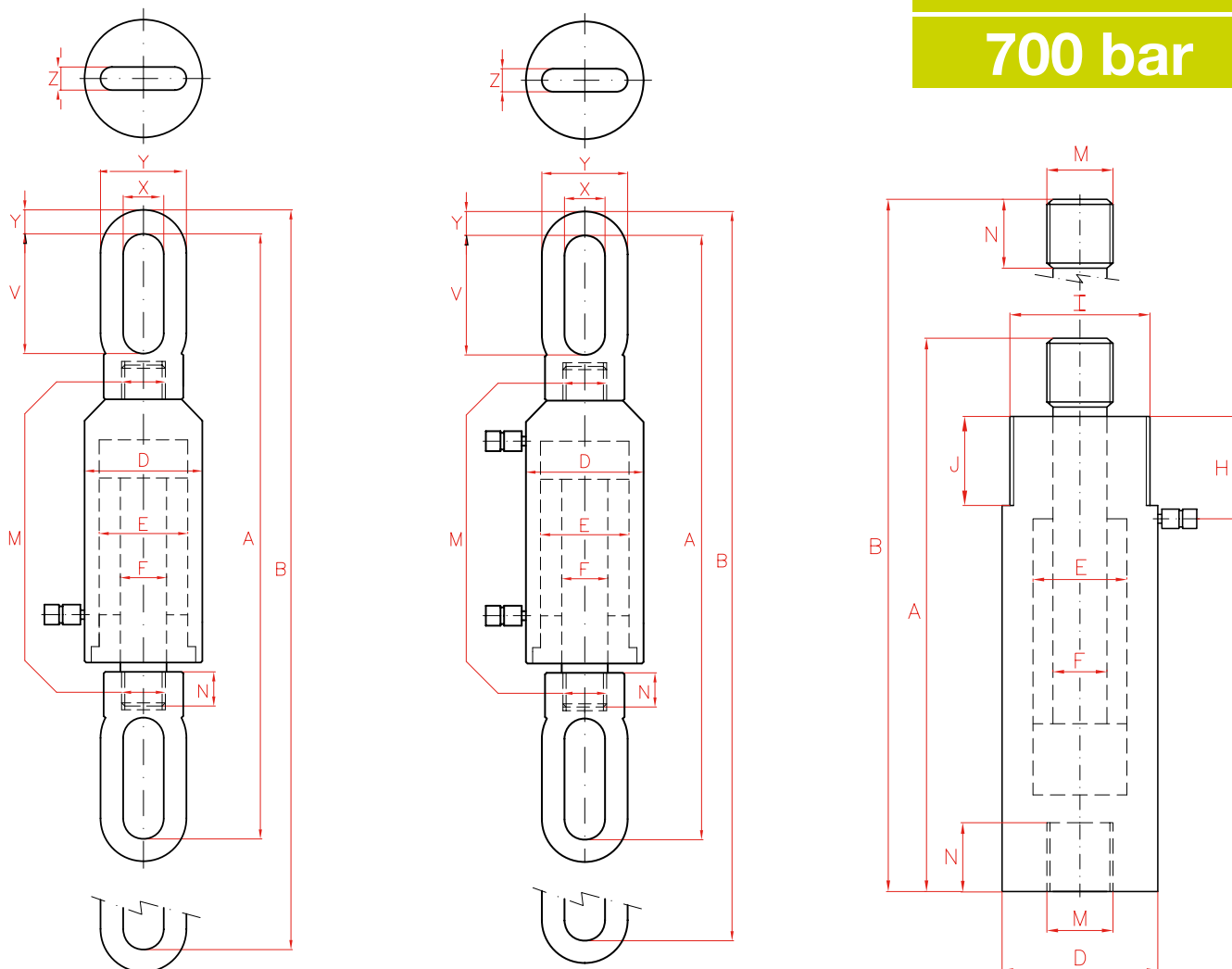


T TE TD

CYLINDERS

5-50 Tn.

700 bar



	B	D	E	F	M	N	I	J	H	U	V	X	Y	Z	Area	Weight	Model
	mm	mm	mm	mm		mm	UN	mm	mm	mm	mm	mm	mm	mm	cm ²	kg	LARZEP
	446	60	45	32	3/4" BSP	25	2 1/4" UNS	25	46	-	-	-	-	-	7,9	6,7	T00514/5G
	446	60	45	32	1 1/4" BSP	25	2 1/4" UNS	25	46	-	-	-	-	-	7,9	6,7	T00514/10G
	448	85	55	36	1 3/4" BSP	30	3 5/16" UNS	40	55	-	-	-	-	-	13,6	10,0	T01015
	726	86	55	36	M30x2	25	-	-	-	107	109	46	30,5	30,5	13,5	14,9	TE01015
	726	86	55	36	M30x2	25	-	-	-	107	109	46	30,5	30,5	13,5	14,9	TD01015
	873	125	90	50	M40x2	45	-	-	-	108	153	50	29	29	43,9	32,0	TE03015
	873	125	90	50	M40x2	45	-	-	-	108	153	50	29	29	43,9	32,0	TD03015
	907	148	110	56	M52x2	60	-	-	-	130	150	50	70	39	70,3	60,0	TE05015
	907	148	110	56	M52x2	60	-	-	-	130	150	50	70	39	70,3	60,0	TD05015

DOUBLE ACTING CYLINDERS



LARZEP advantages

- Capacity from 10 to 550 Tn, stroke up to 300 mm as standard.
- For push and pull applications.
- For heavy duty applications, high precision and involving high cycle life.
- Guide and sealing system of highest quality.
- Internal safety valve to prevent accidental over-pressure.
- Collar threads, piston end threads and base mounting holes for easy fixing and pull operations.
- Compatible with SM accessories.
- Longer stroke models up to 1.500 mm upon request.

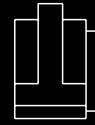
Carefully read and understand the safety instructions.



Special attachments for SM and D models.



DOUBLE ACTING CYLINDERS



D

10-550 Tn.

700 bar

CYLINDERS



Larzep designs and manufactures special cylinders up to 1.500 mm stroke upon request.



Larzep designs and manufactures Pin Pushers upon request.



Double Acting Hollow Piston Cylinders, DH.

Page. 64



Double Acting High Tonnage Cylinders, DDR.

Page. 68



Aluminium Double Acting Cylinder, DDA.

Page. 60



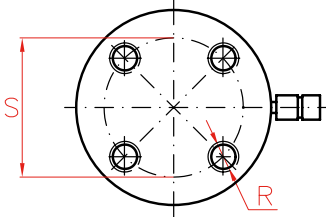
Fittings and Manifolds.

Page. 114

Larzep designs and manufactures special cylinders up to 1.500 mm stroke upon request.



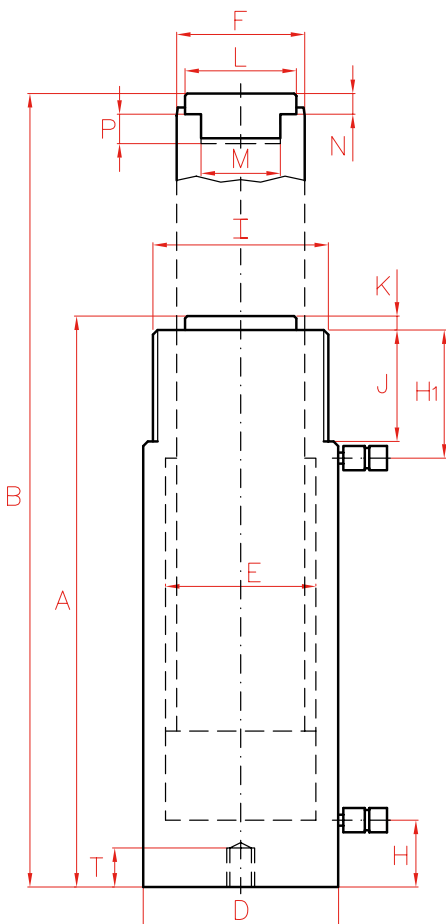
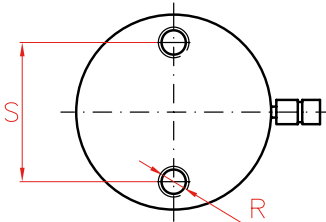
Models from 50 to 550 Tn.



Pressure Gauges.

Page. 116

Models up to 30 Tn.



Capacity Tn	Stroke mm	Model LARZEP	Capacity (kN)		Oil Cap. cm³	A mm	B mm	D mm	E mm	F mm	
			Push	Pull							
10	160	D01016	109	20	255	310	470	60	45	36	
	250	D01025	109	20	398	400	650	60	45	36	
	320	D01032	109	20	509	470	790	60	45	36	
20	160	D02016	214	53	499	320	480	83	63	45	
	250	D02025	214	53	779	410	660	83	63	45	
	320	D02032	214	53	997	480	800	83	63	45	
30	160	D03016	303	68	707	335	495	100	75	56	
	320	D03032	303	68	1.413	495	815	100	75	56	
50	160	D05016	486	72	1.134	335	495	127	95	80	
	320	D05032	486	72	2.267	510	830	127	95	80	
75	160	D07516	712	140	1.661	338	498	150	115	90	
	320	D07532	712	140	3.322	512	832	150	115	90	
100	160	D10016	911	189	2.123	339	499	177	130	100	
	320	D10032	911	189	4.245	509	829	177	130	100	
150	50	D15005	1.380	370	1.005	258	308	215	160	110	
	150	D15015	1.380	370	3.015	378	528	215	160	110	
	300	D15030	1.380	370	6.029	528	828	215	160	110	
200	50	D20005	2.156	560	1.570	274	324	265	200	140	
	150	D20015	2.156	560	4.710	394	544	265	200	140	
	300	D20030	2.156	560	9.420	544	844	265	200	140	
350	50	D35005	3.368	1.014	2.454	299	349	330	250	160	
	150	D35015	3.368	1.014	7.359	419	569	330	250	160	
	300	D35030	3.368	1.014	14.718	569	869	330	250	160	
550	50	D55005	5.519	1.714	4.020	383	433	430	320	200	
	150	D55015	5.519	1.714	12.058	518	668	430	320	200	
	300	D55030	5.519	1.714	24.116	668	968	430	320	200	



Flow Control Valves.

Page. 110



Quick Couplers.

Page. 108



Double Acting Hand Pumps, X.

Page. 80



Optional Tilting Saddle.

Page. 112

	H	H1	I	J	K	L	M	N	P	R	S	T	Area	Weight	Model	With tilting saddle	
	mm	mm	UN	mm	mm	mm	UN	mm	mm	UN	mm	mm	cm ²	kg	LARZEP	A	Model
	20	53,5	2 1/4"-14	32	7	28	1"-8	10	24	5/16"-18	39	12	16	6,4	D01016	329	AZ0420
	20	53,5	2 1/4"-14	32	7	28	1"-8	10	24	5/16"-18	39	12	16	8,0	D01025	419	AZ0420
	20	53,5	2 1/4"-14	32	7	28	1"-8	10	24	5/16"-18	39	12	16	9,5	D01032	489	AZ0420
	20	60	3 1/4"-12	40	8	35	1"-8	8	24	1/2"-13	58	15	31	11,7	D02016	341	AZ0423
	20	60	3 1/4"-12	40	8	35	1"-8	8	24	1/2"-13	58	15	31	14,5	D02025	431	AZ0423
	20	60	3 1/4"-12	40	8	35	1"-8	8	24	1/2"-13	58	15	31	16,8	D02032	501	AZ0423
	26	77	3 7/8"-12	48	10	45	1 1/2"-16	10	25	1/2"-13	66	15	44	18,9	D03016	353	AZ0421
	26	77	3 7/8"-12	48	10	45	1 1/2"-16	10	25	1/2"-13	66	15	44	26,6	D03032	513	AZ0421
	28	70	5"-12	50	10	61	1 3/4"-12	10	25	1/2"-13	95	15	71	30,8	D05016	363	AZ0422
	28	85	5"-12	50	10	61	1 3/4"-12	10	25	1/2"-13	95	15	71	44,8	D05032	538	AZ0422
	30	70	5 3/4"-12	50	10	61	1 3/4"-12	10	25	1/2"-13	100	18	104	42,0	D07516	366	AZ0422
	30	80	5 3/4"-12	50	10	61	1 3/4"-12	10	25	1/2"-13	100	18	104	60,6	D07532	540	AZ0422
	38	70	6 7/8"-12	50	10	88	1 3/4"-12	16	30	3/4"-10	139	18	133	51,8	D10016	361	AZ0422
	38	84	6 7/8"-12	50	10	88	1 3/4"-12	16	30	3/4"-10	139	18	133	84,1	D10032	531	AZ0422
	49	85	8"-12	55	10	88	2 1/2"-12	15	40	3/4"-16	158	25	201	66,0	D15005	279	AZ0424
	49	85	8"-12	55	10	88	2 1/2"-12	15	40	3/4"-16	158	25	201	90,0	D15015	410	AZ0424
	49	85	8"-12	55	10	88	2 1/2"-12	15	40	3/4"-16	158	25	201	119,0	D15030	560	AZ0424
	65	85	9 3/4"-12	55	10	111	2 1/2"-12	19	60	1"-8	127	25	314	105,0	D20005	307	AZ0425
	65	85	9 3/4"-12	55	10	111	2 1/2"-12	19	60	1"-8	127	25	314	151,0	D20015	427	AZ0425
	65	85	9 3/4"-12	55	10	111	2 1/2"-12	19	60	1"-8	127	25	314	191,0	D20030	577	AZ0425
	85	90	12 1/4"-12	60	10	131	3"-12	15	70	1 1/4"-7	158	40	491	189,0	D35005	-	-
	85	90	12 1/4"-12	60	10	131	3"-12	15	70	1 1/4"-7	158	40	491	247,0	D35015	-	-
	85	90	12 1/4"-12	60	10	131	3"-12	15	70	1 1/4"-7	158	40	491	346,0	D35030	-	-
	110	120	15 5/8"-8	80	15	178	4"-12	26	85	1 3/4"-5	203	55	804	396,0	D55005	-	-
	110	120	15 5/8"-8	80	15	178	4"-12	26	85	1 3/4"-5	203	55	804	504,0	D55015	-	-
	110	120	15 5/8"-8	80	15	178	4"-12	26	85	1 3/4"-5	203	55	804	625,0	D55030	-	-

ALUMINIUM DOUBLE ACTING CYLINDERS



LARZEP advantages

- Capacity from 50 to 200 Tn, stroke up to 300 mm.
- Made out of high strength aluminium alloy.
- All aluminium parts are treated to improve resistance and extend working life.
- Lightweight. Over 40% weight reduction when compared with steel equivalent.
- Fitted with steel base plate for wear resistance.
- Internal safety valve to prevent accidental over-pressure.
- Not suitable for high cycle applications



Flow Control Valves

Page. 110

Carefully read and understand the safety instructions.



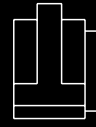
Double Acting Hand Pumps, X.

Page. 80

Larzep designs and manufactures special cylinders and fixing systems, upon request.



ALUMINIUM D/A CYLINDERS



DDA

50-200 Tn.

700 bar

CYLINDERS



Step by step aluminium cylinders.



Double Acting High Tonnage Cylinders, DDR.

Page. 68



Double Acting Aluminium Cylinders, Hollow Piston, DAH.

Page. 66



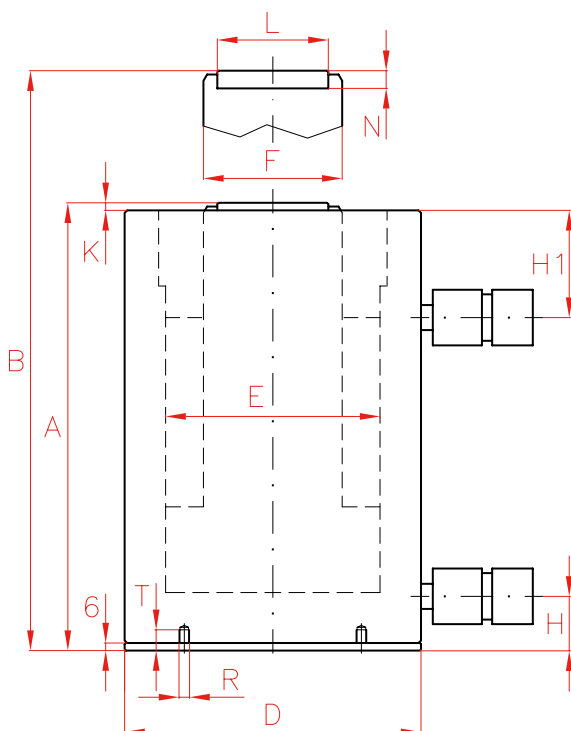
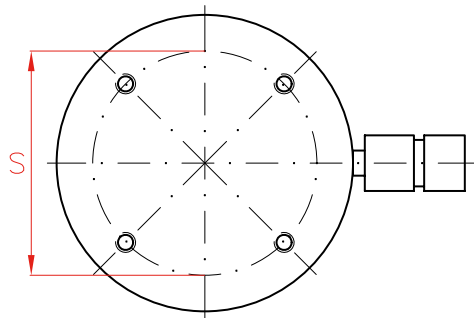
Powerpacks.

Page. 88



Air Hydraulic Pumps, Z.

Page. 82



Capacity	Stroke	Model	Capacity (kN)		Oil Cap.	A
			Push	Pull		
Tn	mm	LARZEP			cm ³	mm
50	50	DDA05005	487	92	354	198
	100	DDA05010	487	92	709	248
	150	DDA05015	487	92	1.063	298
	200	DDA05020	487	92	1.418	348
	250	DDA05025	487	92	1.772	398
	300	DDA05030	487	92	2.126	448
75	50	DDA07505	713	137	520	215
	100	DDA07510	713	137	1.039	265
	150	DDA07515	713	137	1.558	315
	200	DDA07520	713	137	2.077	365
	250	DDA07525	713	137	2.597	415
	300	DDA07530	713	137	3.116	465
100	50	DDA10005	911	130	664	230
	100	DDA10010	911	130	1.327	280
	150	DDA10015	911	130	1.991	330
	200	DDA10020	911	130	2.655	380
	250	DDA10025	911	130	3.318	430
	300	DDA10030	911	130	3.982	480
140	50	DDA14005	1.380	364	1.135	255
	100	DDA14010	1.380	364	2.270	305
	150	DDA14015	1.380	364	3.405	355
	200	DDA14020	1.380	364	4.539	405
	250	DDA14025	1.380	364	5.675	455
	300	DDA14030	1.380	364	6.809	505
200	50	DDA20005	1.946	483	1.418	259
	100	DDA20010	1.946	483	2.835	309
	150	DDA20015	1.946	483	4.253	359
	200	DDA20020	1.946	483	5.670	409
	250	DDA20025	1.946	483	7.088	459
	300	DDA20030	1.946	483	8.506	509



Quick Couplers.

Page. 108

Carefully read and understand the safety instructions.



Optional Tilting Saddle.

Page. 112

	B	D	E	F	H	H1	K	L	N	S	R	T	Area	Weight	Model	With tilting saddle	
	mm	mm	mm	mm	mm	mm		mm	mm	mm		mm	cm ²	kg	LARZEP	A	Model
	248	135	95	75	26	60	7	61	12	115	M6	19	71	8,0	DDA05005	225	AZ0402
	348	135	95	75	26	60	7	61	12	115	M6	19	71	9,7	DDA05010	275	AZ0402
	448	135	95	75	26	60	7	61	12	115	M6	19	71	11,3	DDA05015	325	AZ0402
	548	135	95	75	26	60	7	61	12	115	M6	19	71	12,9	DDA05020	375	AZ0402
	648	135	95	75	26	60	7	61	12	115	M6	19	71	14,6	DDA05025	425	AZ0402
	748	135	95	75	26	60	7	61	12	115	M6	19	71	16,2	DDA05030	475	AZ0402
	265	160	115	90	32	70	6	61	12	140	M6	19	104	11,8	DDA07505	242	AZ0402
	365	160	115	90	32	70	6	61	12	140	M6	19	104	14,0	DDA07510	292	AZ0402
	465	160	115	90	32	70	6	61	12	140	M6	19	104	16,3	DDA07515	342	AZ0402
	565	160	115	90	32	70	6	61	12	140	M6	19	104	18,6	DDA07520	392	AZ0402
	665	160	115	90	32	70	6	61	12	140	M6	19	104	20,8	DDA07525	442	AZ0402
	765	160	115	90	32	70	6	61	12	140	M6	19	104	23,1	DDA07530	492	AZ0402
	280	180	130	110	32	70	5	88	14	160	M6	19	133	16,1	DDA10005	263	AZ0404
	380	180	130	110	32	70	5	88	14	160	M6	19	133	19,2	DDA10010	313	AZ0404
	480	180	130	110	32	70	5	88	14	160	M6	19	133	22,2	DDA10015	363	AZ0404
	580	180	130	110	32	70	5	88	14	160	M6	19	133	25,3	DDA10020	413	AZ0404
	680	180	130	110	32	70	5	88	14	160	M6	19	133	28,3	DDA10025	463	AZ0404
	780	180	130	110	32	70	5	88	14	160	M6	19	133	31,3	DDA10030	513	AZ0404
	305	225	160	110	43	85	6	88	14	200	M6	19	201	28,2	DDA14005	288	AZ0404
	405	225	160	110	43	85	6	88	14	200	M6	19	201	32,3	DDA14010	338	AZ0404
	505	225	160	110	43	85	6	88	14	200	M6	19	201	36,4	DDA14015	388	AZ0404
	605	225	160	110	43	85	6	88	14	200	M6	19	201	40,5	DDA14020	438	AZ0404
	705	225	160	110	43	85	6	88	14	200	M6	19	201	44,6	DDA14025	488	AZ0404
	805	225	160	110	43	85	6	88	14	200	M6	19	201	48,7	DDA14030	538	AZ0404
	309	265	190	140	51	85	6	111	15	225	M6	19	284	40,0	DDA20005	296	AZ0405
	409	265	190	140	51	85	6	111	15	225	M6	19	284	45,9	DDA20010	346	AZ0405
	509	265	190	140	51	85	6	111	15	225	M6	19	284	51,8	DDA20015	396	AZ0405
	609	265	190	140	51	85	6	111	15	225	M6	19	284	57,8	DDA20020	446	AZ0405
	709	265	190	140	51	85	6	111	15	225	M6	19	284	63,7	DDA20025	496	AZ0405
	809	265	190	140	51	85	6	111	15	225	M6	19	284	69,6	DDA20030	546	AZ0405

DOUBLE ACTING HOLLOW PISTON CYLINDERS



LARZEP advantages

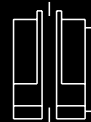
- Capacity from 30 to 150 Tn, stroke up to 250 mm.
- For push and pull operations: Tensioning cables and bolts, pulling sleeves and bearings.
- Collar thread, piston end thread and base holes for easy fixing.
- External safety valve to prevent accidental over-pressure.
- Hollow plain saddle as standard. Optional solid or threaded saddles available.

Carefully read and understand the safety instructions.



Capacity	Stroke	Model	Capacity (kN)		Oil Cap.	A	B	C	D	
			Push	Pull						
Tn	mm	LARZEP			cm ³	mm	mm	mm	mm	
30	150	DH03015	302	173	660	300	450	33	120	
	250	DH03025	302	173	1.100	400	650	33	120	
60	80	DH06008	578	356	674	249	329	56	165	
	150	DH06015	578	356	1.263	319	469	56	165	
	250	DH06025	578	356	2.105	419	669	56	165	
100	38	DH10004	1.018	647	564	197	235	81	220	
	76	DH10008	1.018	647	1.128	255	331	81	220	
	150	DH10015	1.018	647	2.226	335	485	81	220	
	250	DH10025	1.018	647	3.709	465	715	81	220	
150	200	DH15020	1.407	566	4.096	375	575	81	250	

D/A HOLLOW PISTON CYL.

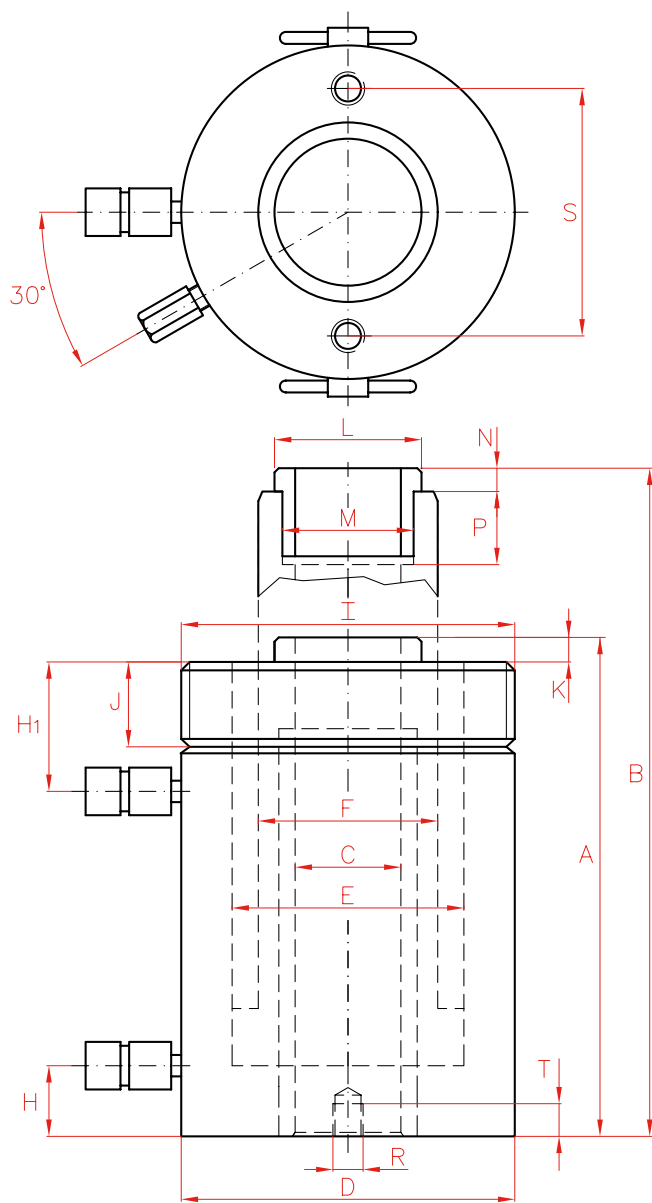


DH

30-150 Tn.

700 bar

CYLINDERS



Aluminium Double Acting Cylinders, Hollow Piston, DAH.

Page. 66

	E	F	H	H1	I	J	K	L	M	N	P	R	S	T	Area	Weight	Model
	mm	mm	mm	mm	UN	mm	mm	mm	UN	mm	mm	UN	mm	mm	cm ²	kg	LARZEP
	90	70	27	61	4 1/2"-12	42	4	55	1 13/16"-16	9	22	3/8"-16	92,2	17	44	22	DH03015
	90	70	27	61	4 1/2"-12	42	4	55	1 13/16"-16	9	22	3/8"-16	92,2	17	44	28	DH03025
	125	95	31	66	6 1/4"-12	48	5	80	2 3/4"-16	12	22	1/2"-13	130,3	14	84	35	DH06008
	125	95	31	66	6 1/4"-12	48	5	80	2 3/4"-16	12	22	1/2"-13	130,3	14	84	42	DH06015
	125	95	31	66	6 1/4"-12	48	5	80	2 3/4"-16	12	22	1/2"-13	130,3	14	84	53	DH06025
	170	130	37	60	-	-	5	116	4"-16	13	25	5/8"-11	177,8	19	149	48	DH10004
	170	130	37	80	8 3/8"-12	60	5	116	4"-16	13	25	5/8"-11	177,8	19	149	60	DH10008
	170	130	37	80	8 3/8"-12	60	5	116	4"-16	13	25	5/8"-11	177,8	19	149	76	DH10015
	170	130	37	80	8 3/8"-12	60	5	116	4"-16	13	25	5/8"-11	177,8	19	149	102	DH10025
	190	160	37	60	-	-	10	135	4 1/4"-12	20	40	-	-	-	205	116	DH15020

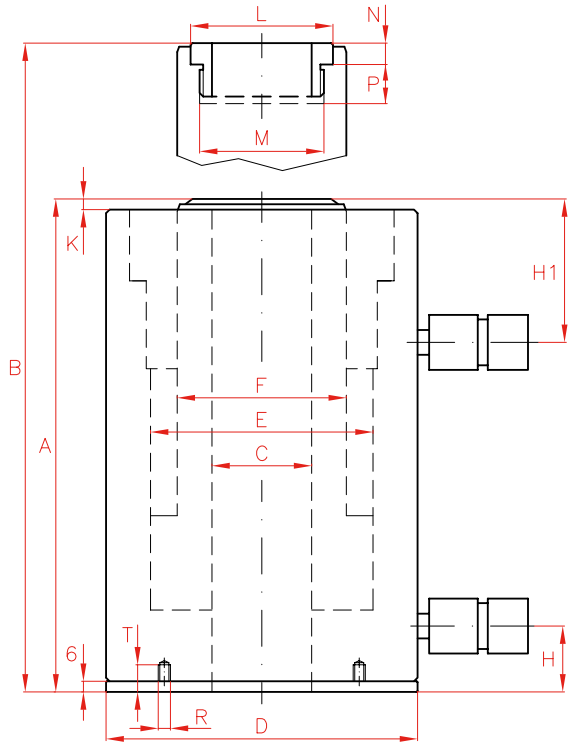
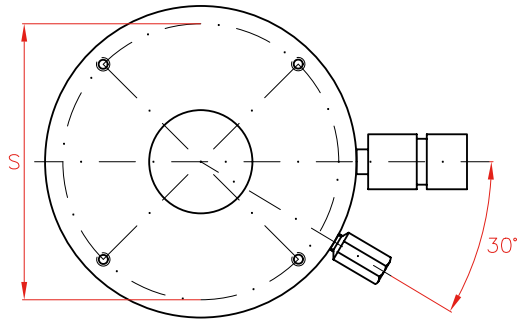
ALUMINIUM DOUBLE ACTING, HOLLOW PISTON CYLINDERS



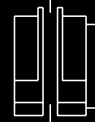
LARZEP advantages

- Capacity from 30 to 150 Tn, stroke up to 250 mm.
- For push and pull operations: Tensioning cables and bolts, pulling sleeves and bearings.
- Made out of high strength aluminium alloy.
- All aluminium parts are treated to improve resistance and extend working life.
- Lightweight. Over 40% weight reduction when compared with steel equivalent.
- Fitted with steel base plate for wear resistance.
- External safety valve to prevent accidental over-pressure.
- Hollow plain saddle as standard. Optional solid or threaded saddles available.
- Not suitable for high cycle applications.

Capacity Tn	Stroke mm	Model LARZEP	Capacity (kN)		Oil Cap. cm ³
			Push	Pull	
30	50	DAH03005	302	173	220
	100	DAH03010	302	173	440
	150	DAH03015	302	173	660
	200	DAH03020	302	173	880
	250	DAH03025	302	173	1.100
60	50	DAH06005	578	356	421
	100	DAH06010	578	356	842
	150	DAH06015	578	356	1.263
	200	DAH06020	578	356	1.684
	250	DAH06025	578	356	2.105
100	50	DAH10005	1.019	647	742
	100	DAH10010	1.019	647	1.484
	150	DAH10015	1.019	647	2.226
	200	DAH10020	1.019	647	2.968
	250	DAH10025	1.019	647	3.710
150	50	DAH15005	1.408	567	1.025
	100	DAH15010	1.408	567	2.050
	150	DAH15015	1.408	567	3.075
	200	DAH15020	1.408	567	4.100
	250	DAH15025	1.408	567	5.125



ALUM. D/A HOLLOW PISTON



DAH

30-150 Tn.

700 bar



Double Acting Hollow Piston Cylinders, DH.

Page. 64



Powerpacks.

Page. 88

	A	B	C	D	E	F	H	H1	K	L	M	N	P	R	S	T	Area	Weight	Model
	mm	mm	mm	mm	mm	mm	mm	mm	mm	mm	UN	mm	mm	mm	mm	mm	cm ²	kg	LARZEP
	217	267	33	130	90	70	32	61	4	55	1 11/13"-16	9	22	M6	110	19	44	7	DAH03005
	267	367	33	130	90	70	32	61	4	55	1 11/13"-16	9	22	M6	110	19	44	9	DAH03010
	317	467	33	130	90	70	32	61	4	55	1 11/13"-16	9	22	M6	110	19	44	12	DAH03015
	367	567	33	130	90	70	32	61	4	55	1 11/13"-16	9	22	M6	110	19	44	13	DAH03020
	417	667	33	130	90	70	32	61	4	55	1 11/13"-16	9	22	M6	110	19	44	15	DAH03025
	225	275	56	175	125	95	37	66	4	80	2 3/4"-16	12	22	M6	155	19	84	13	DAH06005
	275	375	56	175	125	95	37	66	4	80	2 3/4"-16	12	22	M6	155	19	84	16	DAH06010
	325	475	56	175	125	95	37	66	4	80	2 3/4"-16	12	22	M6	155	19	84	19	DAH06015
	375	575	56	175	125	95	37	66	4	80	2 3/4"-16	12	22	M6	155	19	84	22	DAH06020
	425	675	56	175	125	95	37	66	4	80	2 3/4"-16	12	22	M6	155	19	84	25	DAH06025
	256	306	81	235	170	130	40	80	6	116	4"-16	13	25	M6	215	19	148	27	DAH10005
	306	406	81	235	170	130	40	80	6	116	4"-16	13	25	M6	215	19	148	33	DAH10010
	356	506	81	235	170	130	40	80	6	116	4"-16	13	25	M6	215	19	148	38	DAH10015
	406	606	81	235	170	130	40	80	6	116	4"-16	13	25	M6	215	19	148	43	DAH10020
	456	706	81	235	170	130	40	80	6	116	4"-16	13	25	M6	215	19	148	49	DAH10025
	261	311	81	260	190	160	50	80	10	135	4 1/4"-12	20	40	M6	240	19	205	36	DAH15005
	311	411	81	260	190	160	50	80	10	135	4 1/4"-12	20	40	M6	240	19	205	43	DAH15010
	361	511	81	260	190	160	50	80	10	135	4 1/4"-12	20	40	M6	240	19	205	51	DAH15015
	411	611	81	260	190	160	50	80	10	135	4 1/4"-12	20	40	M6	240	19	205	57	DAH15020
	461	711	81	260	190	160	50	80	10	135	4 1/4"-12	20	40	M6	240	19	205	64	DAH15025

DOUBLE ACTING HIGH TONNAGE CYLINDERS



LARZEP advantages

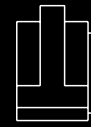
- Capacity from 50 to 1.100 Tn, stroke up to 300 mm.
- For harsh conditions in both vertical and horizontal positions.
- External safety valve to prevent accidental over-pressure.
- On request, DDR cylinders can be supplied with threads or other special features such as lock nuts, sleeves, etc.
- Models available up to 2.000 Tn lifting capacity per cylinder.

NEW MODELS 50 and 100 Tn.

Larzep designs and manufactures DDR special cylinders up to 2.000 Tn to place load cells for pile testing applications.

Capacity Tn	Stroke mm	Model LARZEP	Capacity (kN)	
			Push	Pull
50	50	DDR05005	486	141
	100	DDR05010	486	141
	150	DDR05015	486	141
	200	DDR05020	486	141
	250	DDR05025	486	141
	300	DDR05030	486	141
100	50	DDR10005	911	372
	100	DDR10010	911	372
	150	DDR10015	911	372
	200	DDR10020	911	372
	250	DDR10025	911	372
	300	DDR10030	911	372
140	50	DDR14005	1.380	728
	100	DDR14010	1.380	728
	150	DDR14015	1.380	728
	200	DDR14020	1.380	728
	250	DDR14025	1.380	728
	300	DDR14030	1.380	728

DOUBLE ACTING CYLINDERS

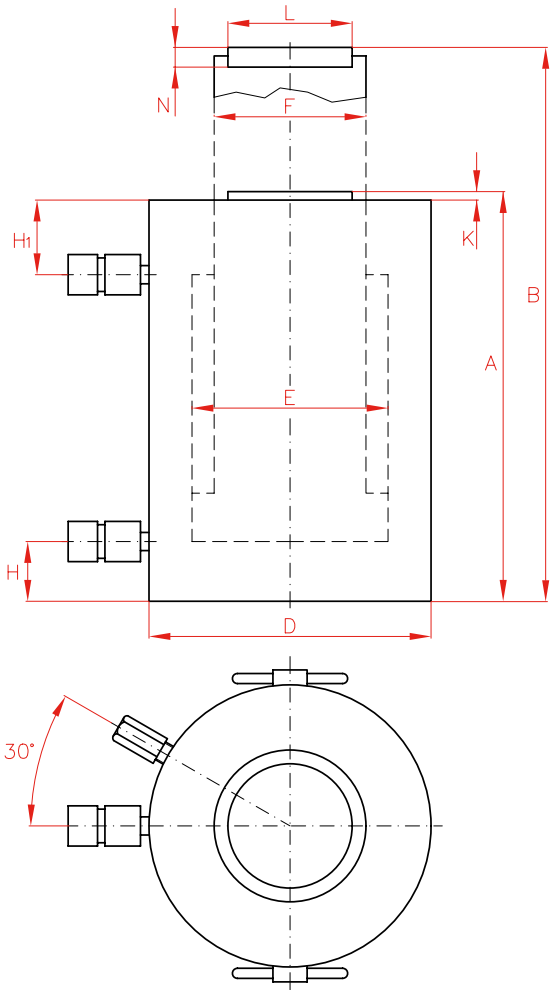


DDR

50-1.100 Tn.

700 bar

CYLINDERS



Low Height Single Acting Cylinders, High Tonnage, SPR.

Page. 24



Single Acting Pancake Lock Nut Cylinders, STX.

Page. 46



Optional Tilting Saddle.

Page. 112

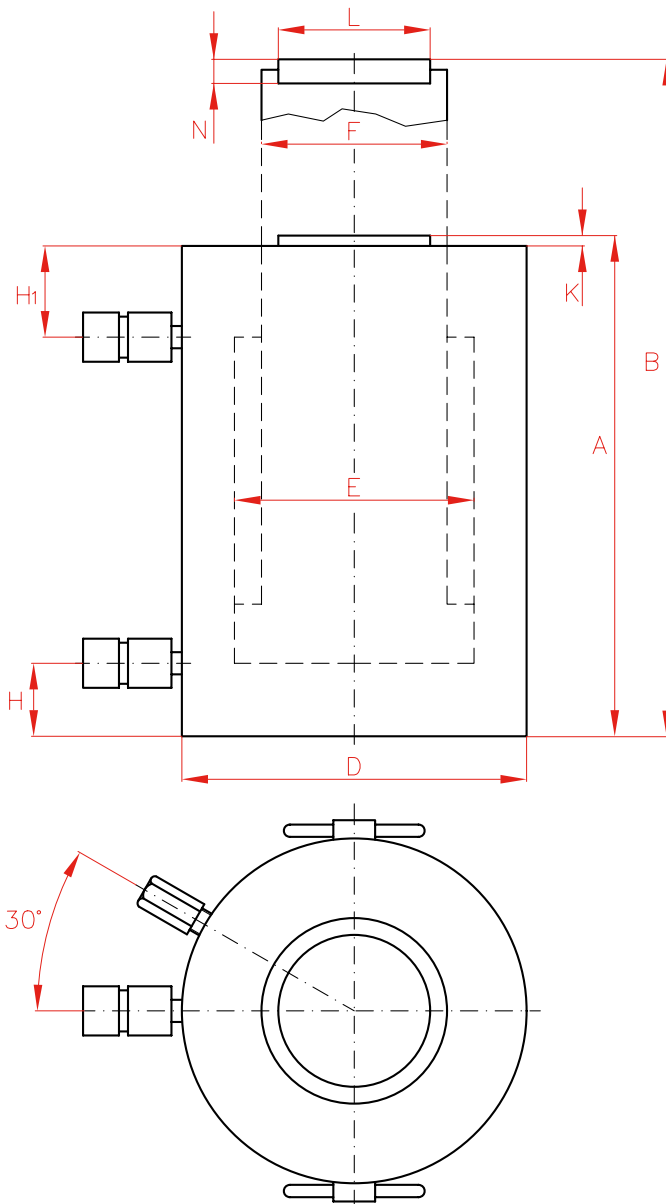
Oil Cap.	A	B	D	E	F	H	H1	K	L	N	Area	Weight	Model	With tilting saddle	
cm ³	mm	mm	mm	mm	mm	mm	mm	mm	mm	mm	cm ²	kg	LARZEP	A	Model
354	216	266	127	95	80	30	80	6	61	12	71	20	DDR05005	243	AZ0402
709	266	366	127	95	80	30	80	6	61	12	71	24	DDR05010	293	AZ0402
1.063	316	466	127	95	80	30	80	6	61	12	71	28	DDR05015	343	AZ0402
1.418	366	566	127	95	80	30	80	6	61	12	71	32	DDR05020	393	AZ0402
1.772	416	666	127	95	80	30	80	6	61	12	71	36	DDR05025	443	AZ0402
2.126	466	766	127	95	80	30	80	6	61	12	71	40	DDR05030	493	AZ0402
664	196	246	170	130	100	30	60	6	88	14	133	31	DDR10005	229	AZ0404
1.327	246	346	170	130	100	30	60	6	88	14	133	39	DDR10010	279	AZ0404
1.991	296	446	170	130	100	30	60	6	88	14	133	47	DDR10015	329	AZ0404
2.655	346	546	170	130	100	30	60	6	88	14	133	56	DDR10020	379	AZ0404
3.318	401	651	170	130	100	30	65	6	88	14	133	65	DDR10025	434	AZ0404
3.982	451	751	170	130	100	30	65	6	88	14	133	72	DDR10030	484	AZ0404
1.005	201	251	200	160	110	35	60	6	88	14	201	44	DDR14005	234	AZ0404
2.011	251	351	200	160	110	35	60	6	88	14	201	51	DDR14010	284	AZ0404
3.016	306	456	200	160	110	35	65	6	88	14	201	59	DDR14015	339	AZ0404
4.021	356	556	200	160	110	35	65	6	88	14	201	66	DDR14020	389	AZ0404
5.027	411	661	200	160	110	35	70	6	88	14	201	74	DDR14025	444	AZ0404
6.032	461	761	200	160	110	35	70	6	88	14	201	81	DDR14030	494	AZ0404



Optional Tilting Saddle.

Page. 112

Carefully read and understand the safety instructions.



Capacity	Stroke	Model	Capacity (kN)		
			Tn	mm	
220	50	DDR22005	2.156	1.100	
	100	DDR22010	2.156	1.100	
	150	DDR22015	2.156	1.100	
	200	DDR22020	2.156	1.100	
	250	DDR22025	2.156	1.100	
	300	DDR22030	2.156	1.100	
350	50	DDR35005	3.370	1.213	
	100	DDR35010	3.370	1.213	
	150	DDR35015	3.370	1.213	
	200	DDR35020	3.370	1.213	
	250	DDR35025	3.370	1.213	
	300	DDR35030	3.370	1.213	
430	50	DDR43005	4.224	1.618	
	100	DDR43010	4.224	1.618	
	150	DDR43015	4.224	1.618	
	200	DDR43020	4.224	1.618	
	250	DDR43025	4.224	1.618	
	300	DDR43030	4.224	1.618	
560	50	DDR56005	5.521	2.152	
	100	DDR56010	5.521	2.152	
	150	DDR56015	5.521	2.152	
	200	DDR56020	5.521	2.152	
	250	DDR56025	5.521	2.152	
	300	DDR56030	5.521	2.152	
670	50	DDR67005	6.600	2.378	
	100	DDR67010	6.600	2.378	
	150	DDR67015	6.600	2.378	
	200	DDR67020	6.600	2.378	
	250	DDR67025	6.600	2.378	
	300	DDR67030	6.600	2.378	
880	50	DDR88005	8.626	3.106	
	100	DDR88010	8.626	3.106	
	150	DDR88015	8.626	3.106	
	200	DDR88020	8.626	3.106	
	250	DDR88025	8.626	3.106	
	300	DDR88030	8.626	3.106	
1.100	50	DDR110005	10.921	3.932	
	100	DDR110010	10.921	3.932	
	150	DDR110015	10.921	3.932	
	200	DDR110020	10.921	3.932	
	250	DDR110025	10.921	3.932	
	300	DDR110030	10.921	3.932	

Performance under Pressure

	Oil Cap.	A	B	D	E	F	H	H1	K	L	N	Area	Weight	Model	With tilting saddle	
	cm ³	mm	mm	mm	mm	mm	mm	mm	mm	mm	mm	cm ²	kg	LARZEP	A	Model
	1.571	216	266	250	200	140	40	70	6	111	15	314	75	DDR22005	253	AZ0405
	3.142	266	366	250	200	140	40	70	6	111	15	314	86	DDR22010	303	AZ0405
	4.712	326	476	250	200	140	40	75	6	111	15	314	101	DDR22015	363	AZ0405
	6.283	376	576	250	200	140	40	75	6	111	15	314	112	DDR22020	413	AZ0405
	7.854	436	686	250	200	140	40	80	6	111	15	314	127	DDR22025	473	AZ0405
	9.425	486	786	250	200	140	40	80	6	111	15	314	139	DDR22030	523	AZ0405
	2.454	236	286	310	250	200	50	80	6	178	23	491	127	DDR35005	280	AZ0408
	4.909	286	386	310	250	200	50	80	6	178	23	491	148	DDR35010	330	AZ0408
	7.363	341	491	310	250	200	50	80	6	178	23	491	175	DDR35015	385	AZ0408
	9.817	391	591	310	250	200	50	80	6	178	23	491	195	DDR35020	435	AZ0408
	12.272	451	701	310	250	200	50	85	6	178	23	491	222	DDR35025	495	AZ0408
	14.726	501	801	310	250	200	50	85	6	178	23	491	243	DDR35030	545	AZ0408
	3.079	248	298	340	280	220	55	85	8	178	23	616	164	DDR43005	292	AZ0408
	6.158	298	398	340	280	220	55	85	8	178	23	616	188	DDR43010	342	AZ0408
	9.236	353	503	340	280	220	55	85	8	178	23	616	215	DDR43015	397	AZ0408
	12.315	403	603	340	280	220	55	85	8	178	23	616	239	DDR43020	447	AZ0408
	15.394	458	708	340	280	220	55	85	8	178	23	616	266	DDR43025	502	AZ0408
	18.473	508	808	340	280	220	55	85	8	178	23	616	290	DDR43030	552	AZ0408
	4.021	268	318	390	320	250	65	90	8	200	27	804	234	DDR56005	320	AZ0411
	8.042	318	418	390	320	250	65	90	8	200	27	804	266	DDR56010	370	AZ0411
	12.064	373	523	390	320	250	65	90	8	200	27	804	301	DDR56015	425	AZ0411
	16.085	423	623	390	320	250	65	90	8	200	27	804	332	DDR56020	475	AZ0411
	20.106	488	738	390	320	250	65	100	8	200	27	804	377	DDR56025	540	AZ0411
	24.127	538	838	390	320	250	65	100	8	200	27	804	408	DDR56030	590	AZ0411
	4.811	293	343	430	350	280	65	105	8	200	27	962	315	DDR67005	345	AZ0411
	9.621	343	443	430	350	280	65	105	8	200	27	962	355	DDR67010	395	AZ0411
	14.432	398	548	430	350	280	65	105	8	200	27	962	400	DDR67015	450	AZ0411
	19.242	448	648	430	350	280	65	105	8	200	27	962	439	DDR67020	500	AZ0411
	24.053	508	758	430	350	280	65	105	8	200	27	962	490	DDR67025	560	AZ0411
	28.863	558	858	430	350	280	65	105	8	200	27	962	530	DDR67030	610	AZ0411
	6.283	310	360	490	400	320	70	115	10	250	35	1.257	434	DDR88005	380	AZ0413
	12.566	360	460	490	400	320	70	115	10	250	35	1.257	485	DDR88010	430	AZ0413
	18.850	420	570	490	400	320	70	115	10	250	35	1.257	551	DDR88015	490	AZ0413
	25.133	470	670	490	400	320	70	115	10	250	35	1.257	602	DDR88020	540	AZ0413
	31.416	530	780	490	400	320	70	115	10	250	35	1.257	668	DDR88025	600	AZ0413
	37.699	580	880	490	400	320	70	115	10	250	35	1.257	719	DDR88030	650	AZ0413
	7.952	330	380	550	450	360	80	125	10	325	55	1.590	578	DDR110005	450	AZ0415
	15.904	380	480	550	450	360	80	125	10	325	55	1.590	648	DDR110010	500	AZ0415
	23.856	440	590	550	450	360	80	125	10	325	55	1.590	731	DDR110015	560	AZ0415
	31.809	490	690	550	450	360	80	125	10	325	55	1.590	795	DDR110020	610	AZ0415
	39.761	550	800	550	450	360	80	125	10	325	55	1.590	878	DDR110025	670	AZ0415
	47.713	600	900	550	450	360	80	125	10	325	55	1.590	960	DDR110030	720	AZ0415

DOUBLE ACTING PRODUCTION CYLINDERS**LARZEP advantages**

- Capacity from 4 to 23 Tn, stroke up to 260 mm.
- For carrying out push and pull operations.
- Black nitrated to improve corrosion resistance.
- Designed for long life in production applications.
- Big range of mounting accessories: flanges, mounting blocks, nuts and clevis eyes.
- Metric threads, DM models or UN threads, DI models.



Mounting Accessories.

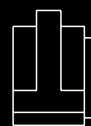
Page.

73

Warning: DM and DI models are not equipped with safety valve to prevent accidental over-pressure.



DOUBLE ACTING CYLINDERS



DM
DI

CYLINDERS

4-23 Tn.

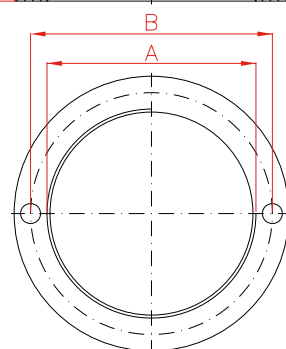
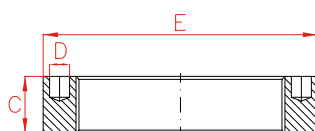
700 bar

ATTACHMENTS FOR DM AND DI CYLINDERS

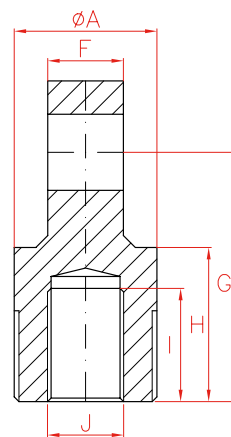
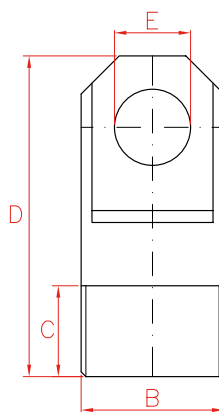
Nuts

Model	A	B	C	D	E	Weight
LARZEP		mm	mm	mm	mm	kg
DM004RB	M42x1.5	49,5	9,5	6,3	57	0,1
DM008RB	M56x2	65,5	12,7	6,7	75	0,1
DM015RB	M70x2	81,0	19,0	6,7	92	0,4
DM023RB	M85x2	96,5	25,4	6,7	108	0,7

Model	A	B	C	D	E	Weight
LARZEP	UN	mm	mm	mm	mm	kg
DI004RB	1 3/8"-12	49,5	9,5	6,3	57	0,1
DI008RB	2"-12	65,5	12,7	6,7	75	0,1
DI015RB	2 5/8"-16	81,0	19,0	6,7	92	0,4
DI023RB	3 1/4"-16	96,5	25,4	6,7	108	0,7



Clevis eyes



Model	A	B	C	D	E	F	G	H	I	J	Weight
LARZEP	mm		mm	mm	mm	mm	mm	mm	mm		kg
DM004RP	30	M30x1.5	19,1	67,4	16	15,9	52,4	32,4	23,8	M16x1,5	0,2
DM008RP	42	M42x1.5	25,4	78,1	20	25,4	57,1	37,1	23,8	M22x1,5	0,6
DM015RP	56	M56x2	25,4	105,8	25	31,9	77,8	52,8	30,2	M30x1,5	1,3
DM023RP	70	M70x2	25,4	112,8	32	38,2	77,8	50,3	27,0	M42x1,5	2,1

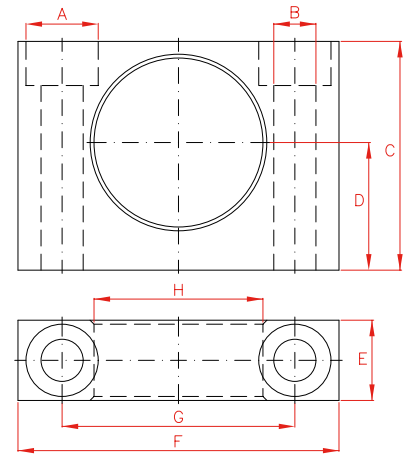
Model	A	B	C	D	E	F	G	H	I	J	Weight
LARZEP	mm	UN	mm	mm	mm	mm	mm	mm	mm	UN	kg
DI004RP	30	1 1/8"-20	19,1	67,4	16	15,9	52,4	32,4	23,8	1 1/2"-20	0,2
DI008RP	42	1 11/16"-18	25,4	78,1	20	25,4	57,1	37,1	23,8	3/4"-16	0,6
DI015RP	56	2 3/16"-16	25,4	105,8	25	31,9	77,8	52,8	30,2	1 1/8"-12	1,3
DI023RP	70	2 3/4"-16	25,4	112,8	32	38,2	77,8	50,3	27,0	1 1/2"-12	2,1

ATTACHMENTS FOR DM AND DI CYLINDERS

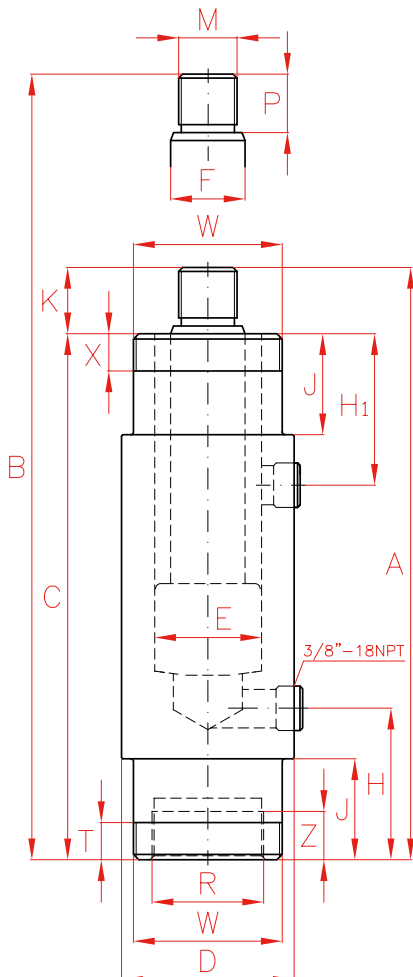
Mounting blocks

Model	A	B	C	D	E	F	G	H	Weight
LARZEP	mm	mm	mm	mm	mm	mm	mm	mm	kg
DM004RC	18	10,5	57,0	31,8	20	80	58,0	42,1	0,4
DM008RC	21	13,5	82,5	44,5	25	105	78,0	56,1	1,2
DM015RC	28	20,0	100,0	52,4	35	127	95,2	70,1	2,9
DM023RC	36	26,5	125,0	63,5	45	159	117,5	85,1	4,5

Model	A	B	C	D	E	F	G	H	Weight
LARZEP	mm	mm	mm	mm	mm	mm	mm	mm	kg
DI004RC	16	10,5	57,0	31,8	19,3	72,6	50,8	35,1	0,4
DI008RC	20	13,5	82,5	44,5	25,4	101,6	73,2	50,9	1,2
DI015RC	28	20,0	101,6	52,3	35,0	127,0	95,5	66,9	2,9
DI023RC	36	26,5	125,0	63,5	45,0	159,0	117,4	82,7	4,5



NOTE: 4Tn cylinders have 1/4" BSP thread for the couplers.



CYLINDERS WITH METRIC THREAD - DM

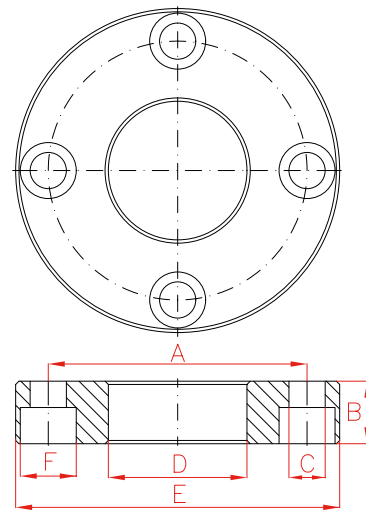
Capacity	Stroke	Model	Capacity (kN)		Area (cm ²)		Oil Cap.	A
			Push	Pull	Push	Pull		
4	28	DM00403	34	12	5	2	14	186
	79	DM00408	34	12	5	2	39	237
	155	DM00416	34	12	5	2	76	313
8	28	DM00803	86	44	13	6	35	223
	79	DM00808	86	44	13	6	99	274
	155	DM00816	86	44	13	6	195	350
	257	DM00826	86	44	13	6	323	452
15	159	DM01516	139	73	20	11	323	389
	260	DM01526	139	73	20	11	527	490
23	159	DM02316	228	93	33	14	527	425
	260	DM02326	228	93	33	14	863	526

CYLINDERS WITH UN THREAD - DI

Capacity	Stroke	Model	Capacity (kN)		Area (cm ²)		Oil Cap.	A
			Push	Pull	Push	Pull		
4	28	DI00403	34	12	5	2	14	186
	79	DI00408	34	12	5	2	39	237
	155	DI00416	34	12	5	2	76	313
8	28	DI00803	86	44	13	6	35	223
	79	DI00808	86	44	13	6	99	274
	155	DI00816	86	44	13	6	195	350
	257	DI00826	86	44	13	6	323	452
15	159	DI01516	139	73	20	11	323	389
	260	DI01526	139	73	20	11	527	490
23	159	DI02316	228	93	33	14	527	425
	260	DI02326	228	93	33	14	863	526

ATTACHMENTS FOR DM AND DI CYLINDERS

Flanges



Model	A	B	C	D	E	F	Weight
LARZEP	mm	mm	mm	mm	mm	mm	kg
DM004RS	78,6	19,0	11,0	42,1	98,4	17	1,0
DM008RS	98,4	25,4	11,0	56,1	120,5	17	2,1
DM015RS	115,9	35,0	13,4	70,1	143,0	18	3,8
DM023RS	135,7	44,5	17,0	85,1	165,0	22	6,0

Model	A	B	C	D	E	F	Weight
LARZEP	mm	mm	mm	mm	mm	mm	kg
DI004RS	78,6	19,0	10,4	35,1	98,4	15	1,0
DI008RS	98,5	25,4	10,5	50,9	120,7	15	2,1
DI015RS	115,9	35,0	13,5	66,8	143,0	20	3,8
DI023RS	135,7	44,5	17,0	82,7	165,0	23	6,0

	B	C	D	E	F	H	H1	K	J	M	P	R	W	X	Z	Weight	Model
	mm	mm	mm	mm	mm	mm	mm	mm	mm	mm	mm	mm	mm	mm	mm	kg	LARZEP
	214	162	51	25	20	47	61	24	29	M16x1.5	19	M30x1.5	M42x1.5	11	9	2,0	DM00403
	316	213	51	25	20	47	61	24	29	M16x1.5	19	M30x1.5	M42x1.5	11	9	2,9	DM00408
	468	289	51	25	20	47	61	24	29	M16x1.5	19	M30x1.5	M42x1.5	11	9	3,9	DM00416
	251	198	65	40	28	75	57	25	38	M22x1.5	22	M42x1.5	M56x2	14	14	4,2	DM00803
	353	249	65	40	28	75	57	25	38	M22x1.5	22	M42x1.5	M56x2	14	14	5,3	DM00808
	505	325	65	40	28	75	57	25	38	M22x1.5	22	M42x1.5	M56x2	14	14	6,8	DM00816
	709	427	65	40	28	75	57	25	38	M22x1.5	22	M42x1.5	M56x2	14	14	9,0	DM00826
	548	359	80	51	35	73	95	30	54	M30x1.5	28	M56x2	M70x2	22	24	9,0	DM01516
	750	460	80	51	35	73	95	30	54	M30x1.5	28	M56x2	M70x2	22	24	11,7	DM01526
	584	398	92	65	50	89	110	27	70	M42x1.5	25	M70x2	M85x2	29	26	17,0	DM02316
	786	499	92	65	50	89	110	27	70	M42x1.5	25	M70x2	M85x2	29	26	21,0	DM02326

	B	C	D	E	F	H	H1	K	J	M	P	R	W	X	Z	Weight	Model
	mm	mm	mm	mm	mm	mm	mm	mm	mm	UN	mm	UN	UN	mm	mm	kg	LARZEP
	214	162	51	25	20	47	61	24	29	1/2"-20	19	1 1/8"-20	1 3/8"-12	11	9	2,0	DI00403
	316	213	51	25	20	47	61	24	29	1/2"-20	19	1 1/8"-20	1 3/8"-12	11	9	2,9	DI00408
	468	289	51	25	20	47	61	24	29	1/2"-20	19	1 1/8"-20	1 3/8"-12	11	9	3,9	DI00416
	251	198	65	40	28	75	57	25	38	3/4"-16	22	1 11/16"-18	2"-12	14	14	3,7	DI00803
	353	249	65	40	28	75	57	25	38	3/4"-16	22	1 11/16"-18	2"-12	14	14	4,7	DI00808
	505	325	65	40	28	75	57	25	38	3/4"-16	22	1 11/16"-18	2"-12	14	14	6,4	DI00816
	709	427	65	40	28	75	57	25	38	3/4"-16	22	1 11/16"-18	2"-12	14	14	9,0	DI00826
	548	359	80	51	35	73	95	30	54	1 1/8"-12	28	2 3/16"-16	2 5/8"-16	22	24	9,0	DI01516
	750	460	80	51	35	73	95	30	54	1 1/8"-12	28	2 3/16"-16	2 5/8"-16	22	24	11,7	DI01526
	584	398	92	65	50	89	110	27	70	1 1/2"-12	25	2 3/4"-16	3 1/4"-16	29	26	17,0	DI02316
	786	499	92	65	50	89	110	27	70	1 1/2"-12	25	2 3/4"-16	3 1/4"-16	29	26	21,0	DI02326

CYLINDER - PUMP SETS



LARZEP advantages

- All sets include 2 m hose (AP2020), male coupler (AZ3120), pressure gauge (AV10006) and gauge adaptor (AZ1502).
- Available with hand pump or air hydraulic pump.
- Available Cylinder-Pump set without pressure gauge or gauge adaptor. Add 'G' to the reference.



Hand Pumps, W.

Page. 80



Air Hydraulic Pumps, Z.

Page. 82

SINGLE ACTING CYLINDERS

J

5-100 Tn.

700 bar

CYLINDERS

Carefully read and understand the safety instructions.



SINGLE ACTING, SPRING RETURN CYLINDER

Capacity		Stroke	Closed Height	Cylinder	Hand Pump 1 stage	Hand Pump 1 stage	Hand Pump 2 stage	Hand Pump 2 stage	Hand Pump 2 stage	Air Hydraulic Pump
Tn	kN	mm	mm	LARZEP	W00307	W10707	W20707	W21207	W22307	Z12107
5	49	76	168	SM00508	JM00508					JMZ00508
		127	219	SM00513	JM00513					JMZ00513
10	109	54	121	SM01005	JM01005					JMZ01005
		155	247	SM01015		JM01015				JMZ01015
		257	352	SM01025			JM01025			JMZ01025
15	163	105	205	SM01510		JM01510				JMZ01510
		155	275	SM01515			JM01515			JMZ01515
23	228	51	166	SM02305		JM02305				JMZ02305
		102	217	SM02310		JM02310				JMZ02310
		159	277	SM02315			JM02315			JMZ02315
		261	379	SM02326				JM02326		JMZ02336
		362	480	SM02336					JM02336	JMZ02336
30	303	210	340	SM03021					JM03021	JMZ03021
50	487	160	285	SM05016					JM05016	JMZ05016
100	911	150	300	SM10015					JM10015	JMZ10015

LOW HEIGHT, SINGLE ACTING, SPRING RETURN CYLINDER

Capacity		Stroke	Closed Height	Cylinder	Hand Pump 1 stage	Hand Pump 1 stage	Hand Pump 2 stage	Hand Pump 2 stage	Hand Pump 2 stage	Air Hydraulic Pump
Tn	kN	mm	mm	LARZEP	W00307	W10707	W20707	W21207	W22307	Z12107
10	109	40	89	SMP01004	JP01004					JPZ01004
20	214	40	101	SMP02004		JP02004				JPZ02004
30	303	60	125	SMP03006			JP03006			JPZ03006
50	486	60	125	SMP05006			JP05006			JPZ05006
100	911	60	141	SMP10006				JP10006		JPZ10006

SINGLE ACTING, HOLLOW PISTON CYLINDER

Capacity		Stroke	Closed Height	Cylinder	Hand Pump 1 stage	Hand Pump 1 stage	Hand Pump 2 stage	Hand Pump 2 stage	Hand Pump 2 stage	Air Hydraulic Pump
Tn	kN	mm	mm	LARZEP	W00307	W10707	W20707	W21207	W22307	Z12107
12	121	40	124	SH01204	JH01204					JHZ01204
22	217	50	165	SH02205		JH02205				JHZ02205
30	302	50	180	SH03005			JH03005			JHZ03005
60	578	76	253	SH06008				JH06008		JHZ06008
100	1.018	80	306	SH10008					JH10008	JHZ10008