



**ЕВРО-2**

**ЕВРО-3**

**ЕВРО-4**

**ЕВРО-5**



**ПОЛУПРИЦЕПЫ**  
SEMITRAILERS

# АВТОМОБИЛЬНЫЙ ПОЛУПРИЦЕП SEMITRAILER

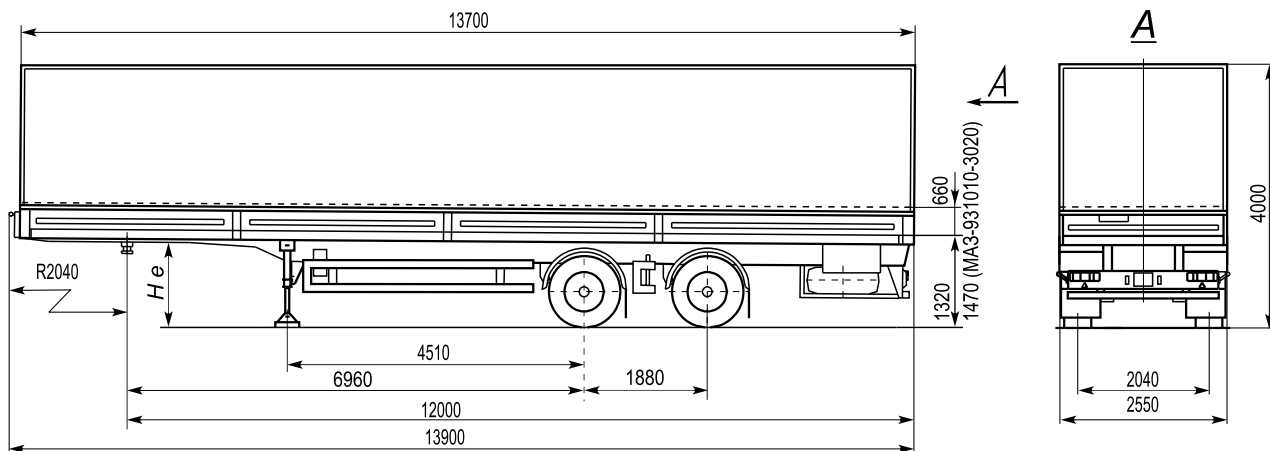
Соответствуют требованиям TIR  
для транспортировки различных грузов  
в системе транзитных перевозок  
МДП в составе автопоезда

Satisfy the requirement of TIR  
and designed for carrying of different  
loads in the roadtrain in the system  
of transit transportations



## MA3-931010-2011,2020 MA3-931010-3011,3020

	-931010-2011	-931010-2020	-931010-3011	-931010-3020
/ Tolerable mass, kg				
- / of carried load	23300	23300	22700	22700
- / of equipped semitrailer	5600	5600	6200	6200
- / gross mass of semitrailer	28900	28900	28900	28900
/ distribution of the tolerable mass:				
- / on fifth wheel	10900	10900	10900	10900
- / on bogie	18000	18000	18000	18000
/ Platform dimensions, mm:				
( / length x width x height )	13620 2480 660	13620 2480 2520	13620 2480 2440	13620 2480 2440
, <sup>2</sup> / Floor area, m <sup>2</sup>		33.8	33.8	33.8
, <sup>3</sup> / Volume of a platform, m <sup>3</sup>		27	27	27
( ), / Height of fifth wheel ( ),	1250	1340	1250	1340
/ The manufacturer of basic devices				
/ ABS		/ established		/ established
/ The holder of spare wheel		/ established		/ established
/ Suspension				
/ Tyres dimensions	/ pneumatic 385/65 R22.5	/ leaf-spring 385/65 R22.5	/ pneumatic 385/65 R22.5	/ leaf-spring 385/65 R22.5
/ Quantity of axles / of wheels	2/4+1	2/4+1	2/4+1	2/4+1
/ Axles				
/ Platform		/ platform without tent superstructure	/ platform with tent superstructure	/ platform with tent superstructure
/ Boards		/ steel	-	-
			/ sandwich-panel "MAZ- Kupava"	





# АВТОМОБИЛЬНЫЙ ПОЛУПРИЦЕП-КОНТЕЙНЕРОВОЗ

## SEMITRAILER-CONTAINER

1 1 , 1 ) (

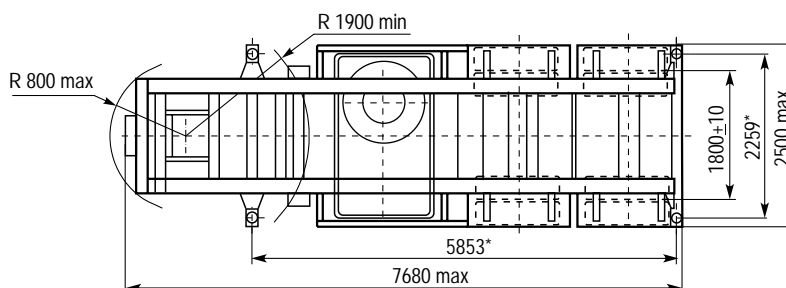
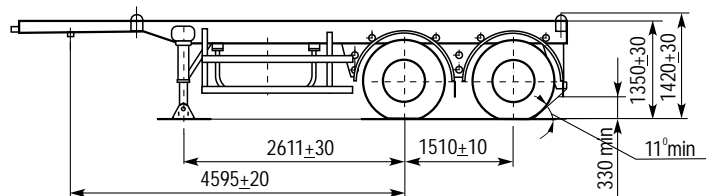
Semitrailer-container with bearing frame for transportation of containers (one container 1AA or 1A, or two containers 1C) forming part roading with tractor



**MA3-933060**

		<b>-933060</b>
/ Tolerable mass, kg		22800
/ of carried load		4000
/ of equipped semitrailer		28900
/ gross mass of semitrailer		
/ distribution of the tolerable mass:		
/ on fifth wheel		8800
/ on bogie		9000
/ Height of fifth wheel ( ),		1340
/ The manufacturer of basic devices		
/ ABS		/ established
/ The holder of spare wheel		/ established
/ Suspension		/ leaf-spring
/ Tyres dimensions		11R20 12R20
/ Quantity of axles / of wheels		2/8+1
/ Axles		
/ tyre of transportable containers		1 ( / one)

\*Размер для справок





# АВТОМОБИЛЬНЫЙ ПОЛУПРИЦЕП-КОНТЕЙНЕРОВОЗ SEMITRAILER-CONTAINER

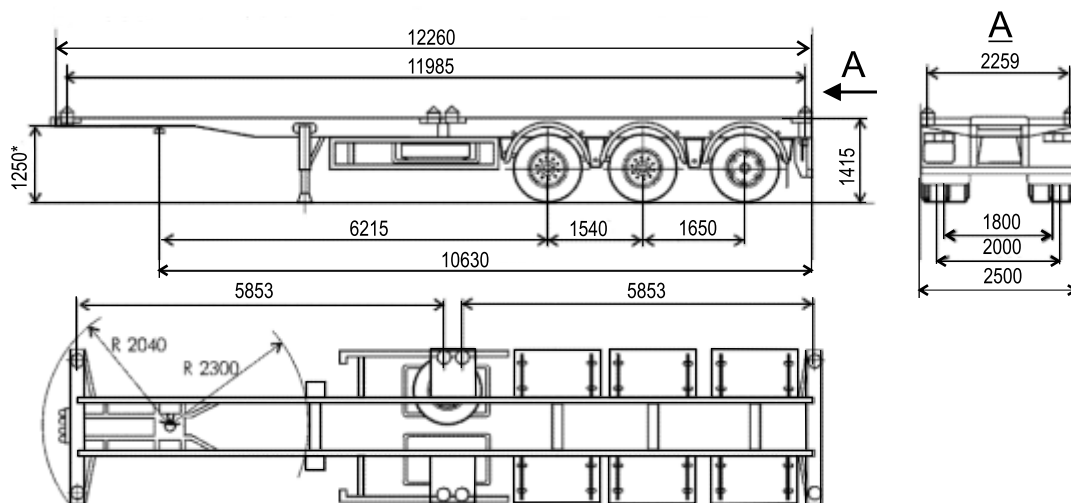
( 1 , 1 C )

Semitrailer-container with bearing frame  
for transportation of containers (one container  
1AA or two containers 1CC)  
forming part roading with tractor

## MA3-938920-011



		-938920-011
/ Tolerable mass, kg		33000
/ of carried load		6000
/ of equipped semitrailer		39000
/ gross mass of semitrailer		
/ distribution of the tolerable mass:		
/ on fifth wheel		12000
/ on bogie		24000 (9000+9000+6000)
/ Height of fifth wheel ( ),		1350
/ loading height (He),mm		1415
/ The manufacturer of basic devices		
/ ABS		/ established
/ The holder of spare wheel		/ established
/ Suspension		/ leaf-spring
/ Tyres dimensions		/ The third axis self-installed from a tractor cabin 11,00R20
/ Quantity of axles / of wheels		3/10+1
/ Axles	/ tyre of transportable containers	1 ( / one), 1 ( /two)





# АВТОМОБИЛЬНЫЙ ПОЛУПРИЦЕП-КОНТЕЙНЕРОВОЗ

## SEMITRAILER-CONTAINER

1, 1, 1B, 1BB, 1C, 1

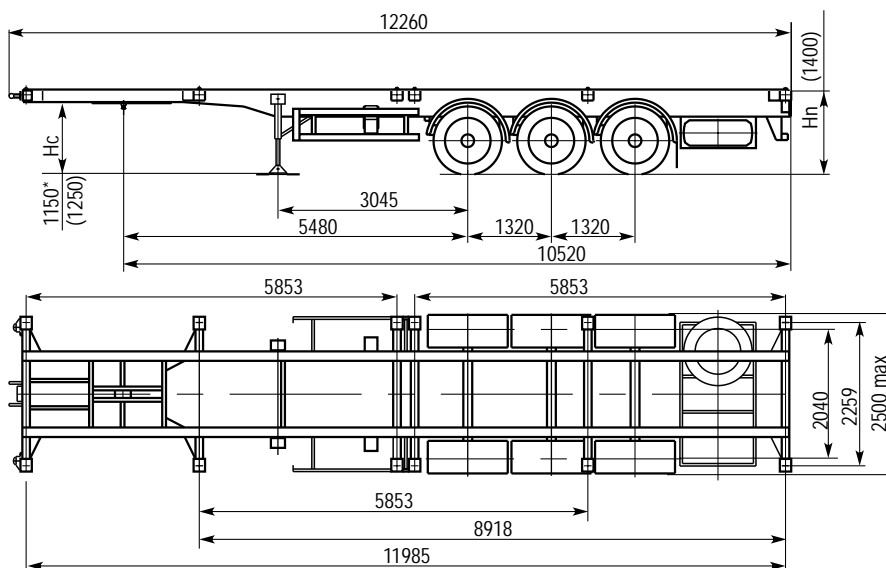
Semitrailer-container with bearing frame  
for transportation of containers  
1, 1, 1B, 1BB, 1C, 1  
forming part roading with tractor



**MA3-991900-010,012**

	-991900-010	-991900-012
/ Tolerable mass, kg		
- / of carried load	29440	29440
- / of equipped semitrailer	6000	6000
- / gross mass of semitrailer	36000	36000
/ distribution of the tolerable mass:		
- / on fifth wheel	12000	12000
- / on bogie	24000	24000
( ), / Height of fifth wheel ( ),	1200 (1150)*	1200 (1150)*
/ loading height (He),mm	1400	1400
/ The manufacturer of basic devices		
/ ABS	à / established	/ established
/ The holder of spare wheel	/ established	/ established
/ Suspension	-	/ pneumatic,
	/ springs and walking beams	/
/ Tyres dimensions	385/65R22,5	with front lifting axle 385/65R22,5
/ Quantity of axles / of wheels	3/6+1	3/6+1
/ Axles		
/ tyre of transportable containers		1, 1, 1, 1, 1, 1

\*) 1150 1150 -991900-010 (012) 1 1



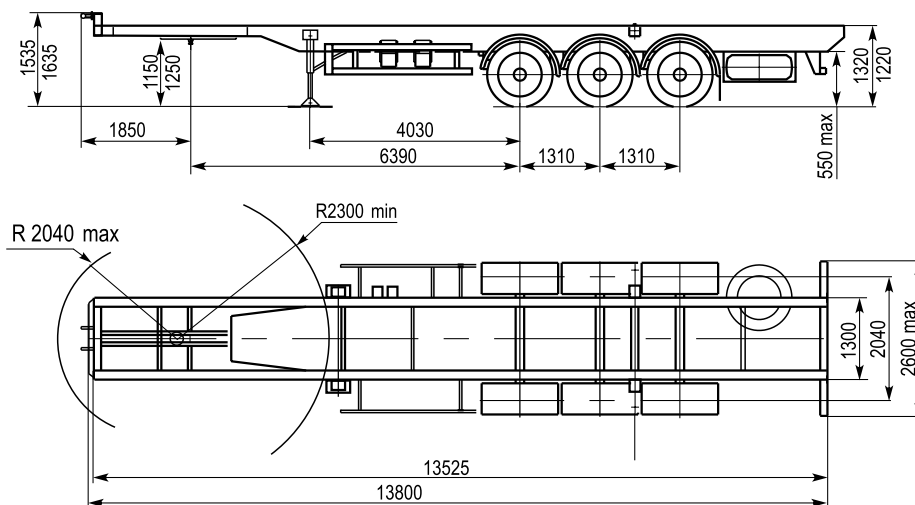
# АВТОМОБИЛЬНЫЙ ПОЛУПРИЦЕП SEMITRAILER

Purpose - installation  
of refrigerator body



## MA3-975850-1010-021,022,031

	-975850-1010-021	-975850-1010-022	-975850-1010-031
/ Tolerable mass, kg			
- / of carried load	29440	29440	29440
- / of equipped semitrailer	5060	5060	5060
- / gross mass of semitrailer	34500	34500	34500
/ distribution of the tolerable mass:			
- / on fifth wheel	10500	10500	10500
- / on bogie	24000	24000	24000
( ), / Height of fifth wheel ( ), / The manufacturer of basic devices	1250	1250	1150
/ ABS			/ established
/ The holder of spare wheel			/ established
/ Suspension			/ pneumatic
/ Tyres dimensions	385/65 R22.5	385/65 R22.5	385/65 R22.5
/ Quantity of axles / of wheels	3/6+1	3/6+1	3/6+1
/ Axles		BPW	BPW
/ Platform		/ as chassis (	/ the facilitated frame)





## АВТОМОБИЛЬНЫЙ ПОЛУПРИЦЕП SEMITRAILER

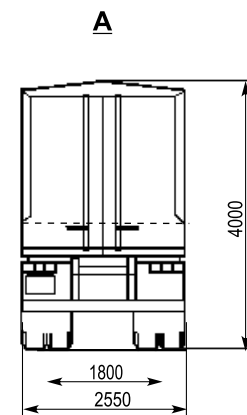
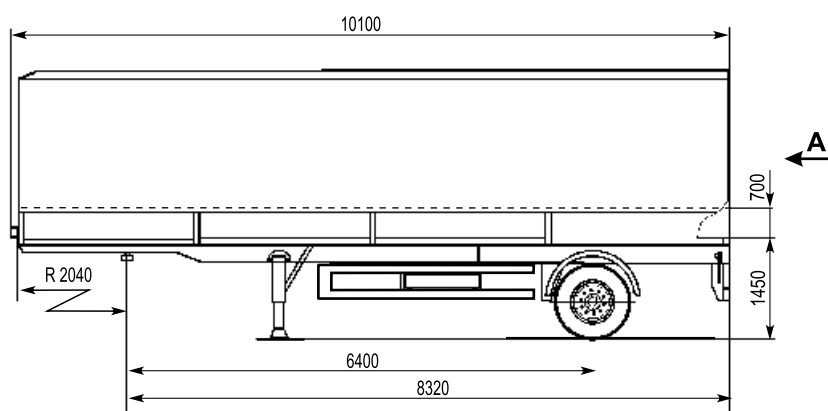


Соответствуют требованиям TIR  
для транспортировки различных грузов  
в системе транзитных перевозок  
МДП в составе автопоезда

Satisfy the requirement of TIR  
and designed for carrying of different  
loads in the roadtrain in the system  
of transit transportations

**MA3-938020-016,041,051**  
**MA3-938020-1011**

	-938020-016	-938020-041	-938020-051	-938020-1011
/ Tolerable mass, kg				
- / of carried load	14000	14750	15200	15650
- / of equipped semitrailer	5000	4250	3800	3350
- / gross mass of semitrailer	19000	19000	19000	19000
/ distribution of the tolerable mass:				
- / on fifth wheel	9000	9000	9000	9000
- / on bogie	10000	10000	10000	10000
/ Platform dimensions, mm: ( / length x width x height )	9840 2420 2320	9840 2420 700	-	-
/ Floor area, m <sup>2</sup>	23.8	23.8	-	-
/ wooden floor	/ wooden floor	/ wooden floor	/ wooden floor	without flooring
/ Volume of a platform, m <sup>3</sup>	55	15,7	-	-
( / Height of fifth wheel ( )	1250 (1350)	1250 (1350)	1250 (1350)	1250 (1350)
/ The manufacturer of basic devices				
/ ABS		/ established		/ established
/ The holder of spare wheel		/ established		/ established
/ Suspension		/ leaf-spring		/ leaf-spring
/ Tyres dimensions	11,00R20	11,00R20	11,00R20	11,00R20
/ Quantity of axles / of wheels	1/4+1	1/4+1	1/4+1	1/4+1
/ Axles				
/ Platform	/ platform with tent superstructure	/ platform without tent superstructure	/ with flooring, without borts	/ Chassis without flooring
/ Boards		/ steel	-	-
/ metal hinged side boards, tailgate door with two wings and locking gear, high front board				



# АВТОМОБИЛЬНЫЙ ПОЛУПРИЦЕП SEMITRAILER

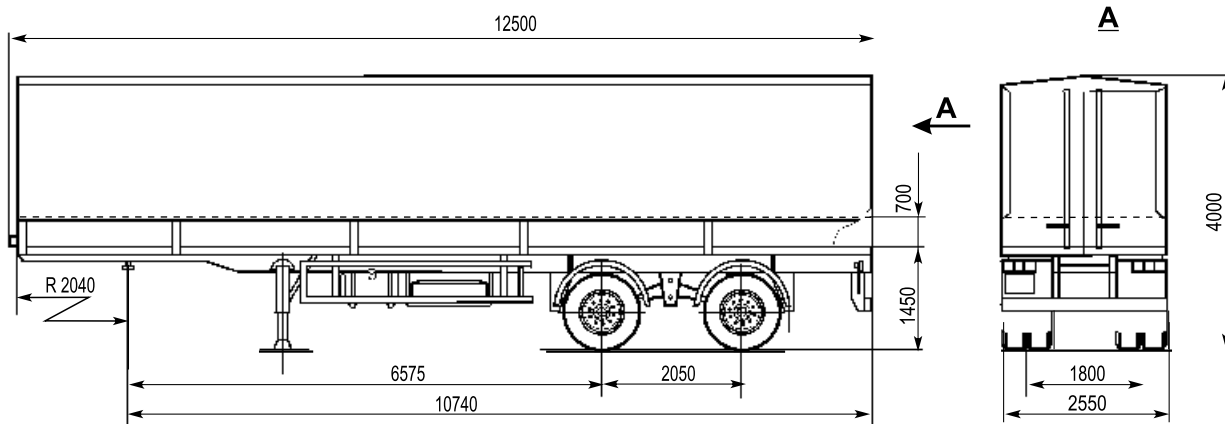
Соответствуют требованиям ТИР  
для транспортировки различных грузов  
в системе транзитных перевозок  
МДП в составе автопоезда

Satisfy the requirement of TIR  
and designed for carrying of different  
loads in the roadtrain in the system  
of transit transportations

**MA3-938660-026,044,051**  
**MA3-938660-1011**



	-938660-026	-938660-044	-938660-051	-938660-1011
/ Tolerable mass, kg				
- / of carried load	27500	28300	28950	29450
- / of equipped semitrailer	7500	6700	6500	5550
- / gross mass of semitrailer	35000	35000	35000	35000
/ distribution of the tolerable mass:				
- / on fifth wheel	15000	15000	15000	15000
- / on bogie	20000	20000	20000	20000
/ Platform dimensions, mm: ( / length x width x height)	12260 2420 2320	-	-	-
/ Floor area, m <sup>2</sup>	29,5	29,5	-	-
/ wooden floor	/ wooden floor	/ wooden floor	/ wooden floor	without flooring
/ Volume of a platform, m <sup>3</sup>	68	19,5	-	-
( ), / Height of fifth wheel ( ),	1250/1350	1250/1350	1250/1350	1250/1350
/ The manufacturer of basic devices				
/ ABS		/ established		/ established
/ The holder of spare wheel		/ established		/ established
/ Suspension		/ leaf-spring		/ leaf-spring
/ Tyres dimensions	11,00R20	11,00R20	11,00R20	11,00R20
/ Quantity of axles / of wheels	2/8+1	2/8+1	2/8+1	2/8+1
/ Axles				
/ Platform	platform with tent superstructure	/ platform without tent superstructure	chassis with flooring,	chassis without flooring
/ Boards		/ steel	without boards-	-
/ metal hinged side boards, tailgate door with two wings and locking gear, high front board				







## АВТОМОБИЛЬНЫЙ ПОЛУПРИЦЕП SEMTRAILER

Соответствуют требованиям TIR  
для транспортировки различных грузов  
в системе транзитных перевозок  
МДП в составе автопоезда

Satisfy the requirement of TIR  
and designed for carrying of different  
loads in the roadtrain in the system  
of transit transportations

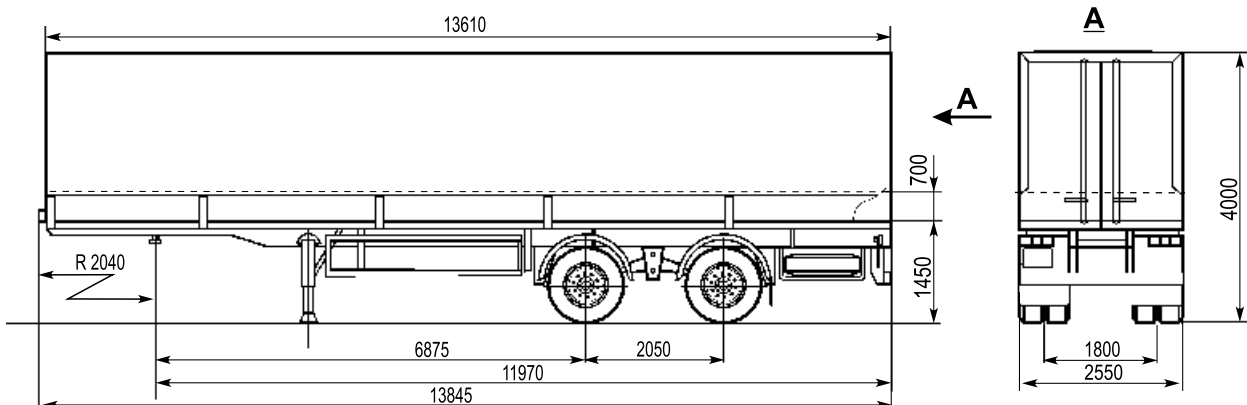
**MA3-938662-1010**  
**MA3-938662-017,042,050**



MA3-938662-042

MA3-938662-017

	-938662-017	-938662-042	-938662-050	-938662-1010
/ Tolerable mass, kg				
- / of carried load	23000	23800	24300	24950
- / of equipped semitrailer	8000	7200	6700	6050
- / gross mass of semitrailer	31000	31000	31000	31000
/ distribution of the tolerable mass:				
- / on fifth wheel	11000	11000	11000	11000
- / on bogie	20000	20000	20000	20000
/ Platform dimensions, mm: (				
/ length x width x height)	13485 2440 2420	-	-	-
/ Floor area, m <sup>2</sup>	32,9	32,9	-	-
/ wooden floor				without flooring
/ Volume of a platform, m <sup>3</sup>	80	21,7	21,7	21,7
( ), / Height of fifth wheel ( ),	1250/1320	1250/1320	1250/1320	1250/1320
/ The manufacturer of basic devices				
/ ABS		/ established		/ established
/ The holder of spare wheel		/ established		/ established
/ Suspension		/ leaf-spring		/ leaf-spring
/ Tyres dimensions	11,00R20	11,00R20	11,00R20	11,00R20
/ Quantity of axles / of wheels	2/8+1	2/8+1	2/8+1	2/8+1
/ Axles				
/ Platform	platform with tent superstructure	/ platform without tent superstructure	chassis with flooring,	Chassis without flooring
/ Boards		/ steel	without boards-	-
/ metal hinged side boards, tailgate door with two wings and locking gear, high front board		hinged side boards		





# АВТОМОБИЛЬНЫЙ ПОЛУПРИЦЕП - САМОСВАЛ

## SEMITRAILER - DUMP

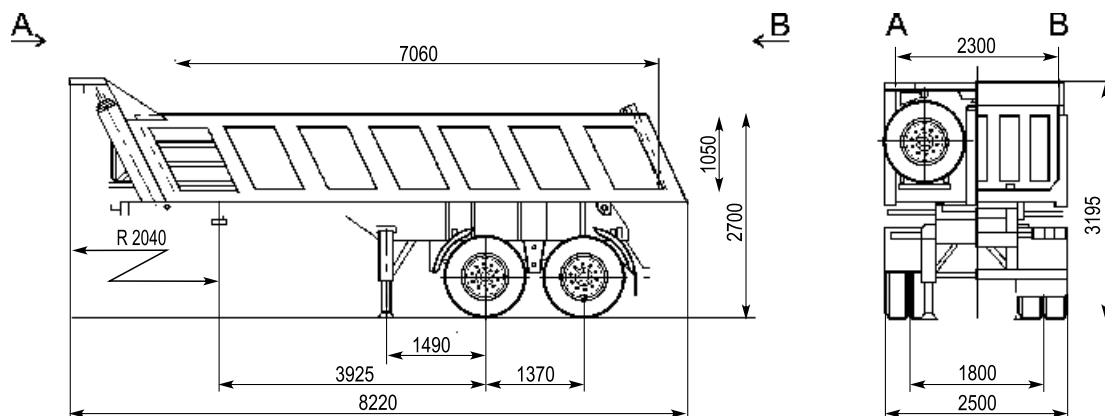
Предназначен для перевозки различных грузов в составе автопоезда с автомобилем-тягачем, имеющим гидрооборудование

Designed for carrying different building loads part of roadtrain with tractor, equipped with hydrosystem



### MA3-950600-020

		-950600-020
-	/ Tolerable mass, kg	26000
-	/ of carried load	8500
-	/ of equipped semitrailer	34500
-	/ gross mass of semitrailer	
	/ distribution of the tolerable mass:	
-	/ on fifth wheel	14500
-	/ on bogie	18000
	/ Volume of a platform, m <sup>3</sup>	16,42
		50
	( ), / Height of fifth wheel ( ),	1250/1350
	/ The manufacturer of basic devices	
/ ABS		
	/ The holder of spare wheel	
/ Suspension		- / springs and walking beams
/ Tyres dimensions		12,00R20
/	/ Quantity of axles / of wheels	
/ Axles		
	/ Platform	
/ Boards		Platform all-metal welded without an awning with an equal floor
		/ with loading through automatically opening back board with top hinge plate
	/ Constructive features	/ with a safety bumper, presence of the back accident protection device





# АВТОМОБИЛЬНЫЙ ПОЛУПРИЦЕП - САМОСВАЛ

## SEMITRAILER - DUMP

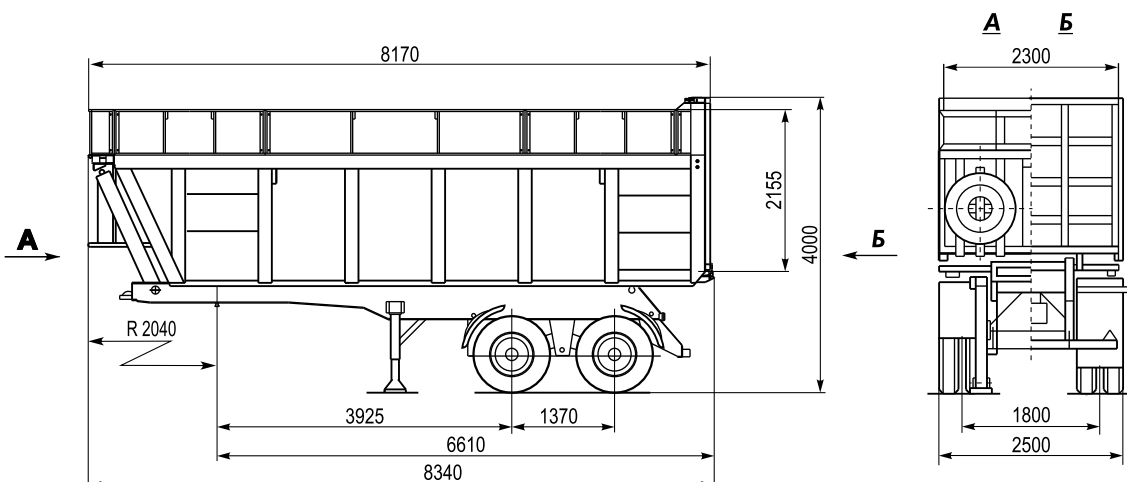
Предназначен для перевозки щепы и других легковесных грузов в составе автопоезда с автомобилем-тягачом, имеющим гидрооборудование

Designed for carrying wood-chips in part of roadtrain with tractor, equipped with hydrosystem



**MA3-950600-030**

		<b>-950600-030</b>
	/ Tolerable mass, kg	16000
-	/ of carried load	8900
-	/ of equipped semitrailer	24900
-	/ gross mass of semitrailer	14500
	/ distribution of the tolerable mass:	
-	/ on fifth wheel	18000
-	/ on bogie	40
	<sup>3</sup> /Volume of a platform, m <sup>3</sup>	45
	( ), / Height of fifth wheel ( ),	1250/1350
	/ The manufacturer of basic devices	
/ ABS		/ established
	/ The holder of spare wheel	/ established
/ Suspension		- / springs and walking beams
/ Tyres dimensions		12,00R20
/ Quantity of axles / of wheels		2/8+1
/ Axles	/ Platform	
/ Boards		
	/ Platform all-metal welded without an awning with an equal floor, automatically opening back board	
	/ Constructive features	
	/ with a safety bumper, presence of the back accident protection device	



# АВТОМОБИЛЬНЫЙ ПОЛУПРИЦЕП - САМОСВАЛ

## SEMITRAILER - DUMP

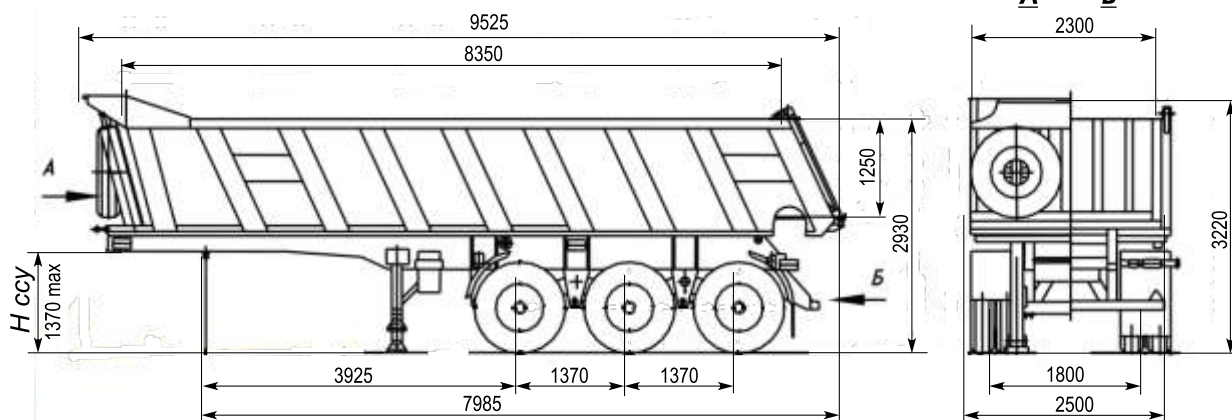
Предназначен для перевозки различных строительных грузов в составе автопоезда с автомобилем-тягачем, имеющим гидрооборудование

Designed for carrying different building loads part of roadtrain with tractor, equipped with hydrosystem



### MA3-953000-011

		-953000-011
-	/ Tolerable mass, kg	35000
-	/ of carried load	12000
-	/ of equipped semitrailer	47000
-	/ gross mass of semitrailer	
	/ distribution of the tolerable mass:	
-	/ on fifth wheel	17000
-	/ on bogie	30000
	/ Volume of a platform, m <sup>3</sup>	25
		45
	( ), / Height of fifth wheel ( ),	1250/1350
	/ The manufacturer of basic devices	
/ ABS		
	/ The holder of spare wheel	
/ Suspension		/ springs and walking beams
/ Tyres dimensions		12,00R20
/ Quantity of axles / of wheels		3/12+1
/ Axles		
	/ Platform	
		/ Platform all-metal welded without an awning with an equal floor
Размерность колесных тормозных механизмов		
/ Wheeled braked devices dimension		420 160





## АВТОМОБИЛЬНЫЙ ПОЛУПРИЦЕП SEMITRAILER

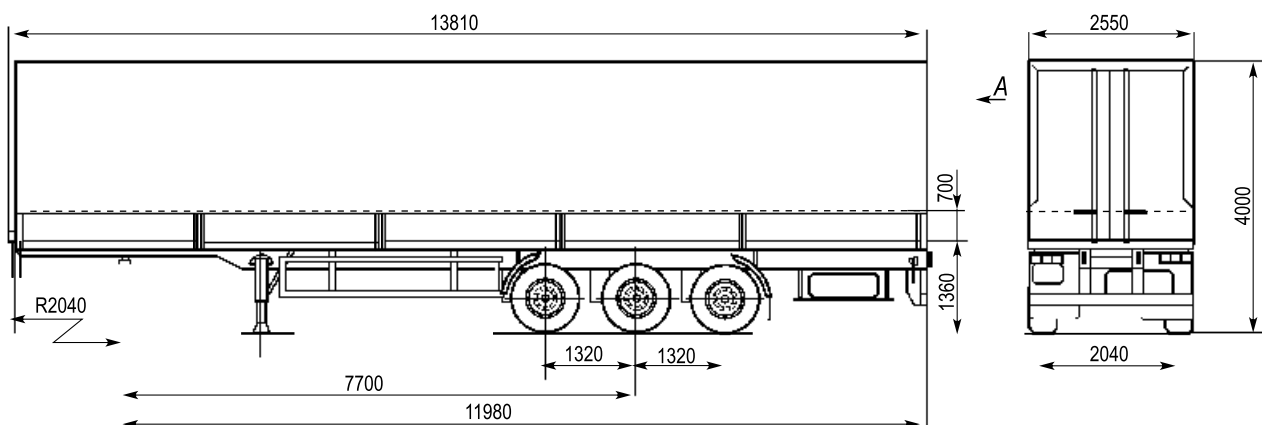
Соответствуют требованиям ТИР  
для транспортировки различных грузов  
в системе транзитных перевозок  
МДП в составе автопоезда

Satisfy the requirement of TIR  
and designed for carrying of different  
loads in the roadtrain in the system  
of transit transportations

**MA3-975800-1014,1016,1018,1020**  
**MA3-975800-2010,2012**



	-975800-1014 (-975800-1016)	-975800-1018 (-975800-1020)	-975800-2010 (-975800-2012)
/ Tolerable mass, kg	28450	27900	27400
- / of carried load	6050	6600	7100
- / of equipped semitrailer	34500	34500	34500
- / gross mass of semitrailer			
/ distribution of the tolerable mass:	10500	10500	10500
- / on fifth wheel	24000	24000	24000
- / on bogie			
/ Platform dimensions, mm:		13485/2460/-	13485/2460/700
( / length x width x height )		33	33
, <sup>2</sup> / Floor area, m <sup>2</sup>			27
, <sup>3</sup> /Volume of a platform, m <sup>3</sup>	/ without flooring	/ Platform flooring made of laminated plywood	
( ), / Height of fifth wheel ( ),	1200	1250	1200
/ The manufacturer of basic devices			
/ ABS			/ established
/ The holder of spare wheel			/ established
/ Suspension		( ) / pneumatic ( leaf-spring)	
/ Tyres dimensions	385/65 R22.5	385/65 R22.5	385/65 R22.5
/ Quantity of axles / of wheels	3/6+1	3/6+1	3/6+1
/ Axles			
/ Platform	/ chassis	with flooring	platform without tent superstructure
/ Boards	Lateral beam from the Austrian profile	/ without boards	/ steel





## АВТОМОБИЛЬНЫЙ ПОЛУПРИЦЕП SEMITRAILER

Соответствуют требованиям TIR для транспортировки различных грузов в системе транзитных перевозок МДП в составе автопоезда

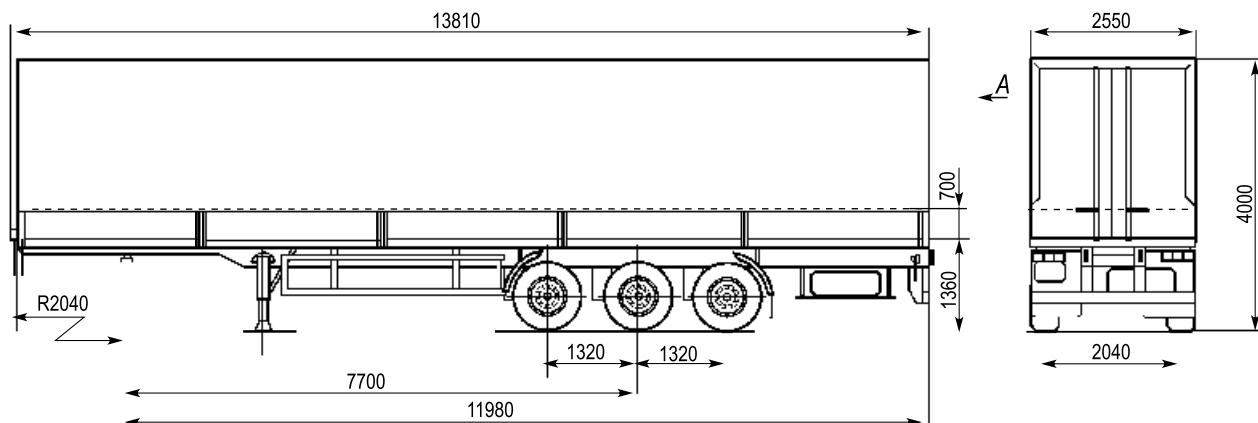
Satisfy the requirement of TIR and designed for carrying of different loads in the roadtrain in the system of transit transportations



### MA3-975800-3010,3012,3014,3016

	-975800-3010 (-975800-3012)	-975800-3014 (-975800-3016)
/ Tolerable mass, kg		
- / of carried load	26700	26700
- / of equipped semitrailer	7800	7800
- / gross mass of semitrailer	34500	34500
/ distribution of the tolerable mass:		
- / on fifth wheel	10500	10500
- / on bogie	24000	24000
/ Platform dimensions, mm:		
( / length x width x height )	13485/2440/2425	13485/2440/2430
, <sup>2</sup> / Floor area, m <sup>2</sup>	32,9	32,9
, <sup>3</sup> /Volume of a platform, m <sup>3</sup>	79,7 (79,6)	79,9 (79,8)
( ), / Height of fifth wheel ( ), / The manufacturer of basic devices	1200 (1250)	1200 (1250)
/ ABS		/ established
/ The holder of spare wheel		/ established
/ Suspension	( )	/ pneumatic ( leaf-spring)
/ Tyres dimensions	385/65 R22.5	385/65 R22.5
/ Quantity of axles / of wheels	3/6+1	3/6+1
/ Axles		
/ Platform		/ platform with tent superstructure "/ sandwich-panel "MAZ- Kupava" / hinged side boards
/ Boards	- " -	

Tailgate door with two wings and locking gear







## АВТОМОБИЛЬНЫЙ ПОЛУПРИЦЕП SEMITRAILER

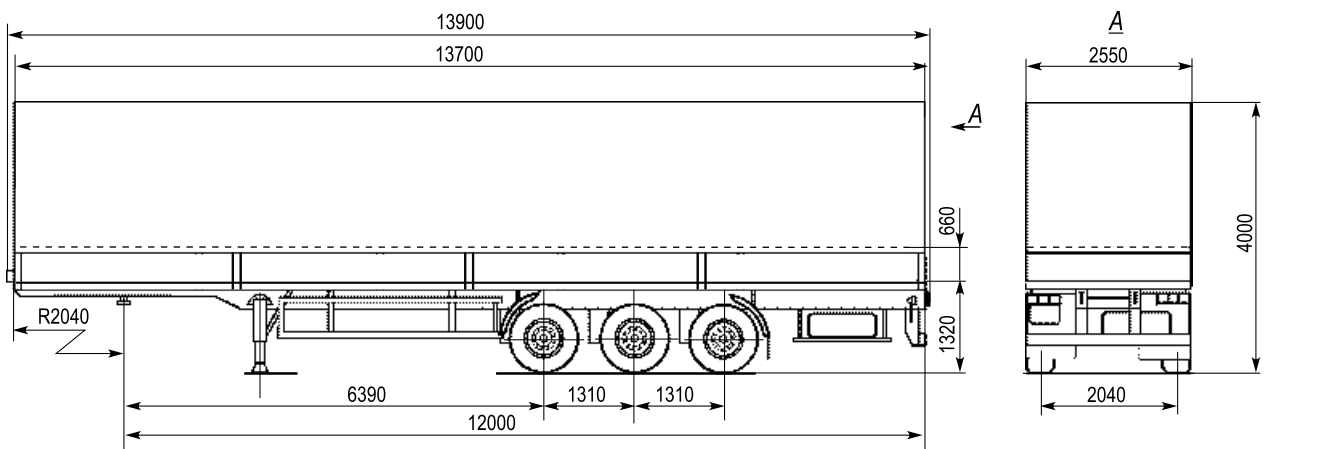
Соответствуют требованиям ТИР  
для транспортировки различных грузов  
в системе транзитных перевозок  
МДП в составе автопоезда

Satisfy the requirement of TIR  
and designed for carrying of different  
loads in the roadtrain in the system  
of transit transportations



### MA3-975830-3012,3014 MA3-975830-3018,3020

	-975830-3012 ( -975830-3014)			-975830-3018 ( -975830-3020)		
/ Tolerable mass, kg	27900			27900		
/ of carried load	6700			6700		
/ of equipped semitrailer	34600			34600		
/ gross mass of semitrailer						
/ distribution of the tolerable mass:	10600			10600		
/ on fifth wheel	24000			24000		
/ on bogie						
/ Platform dimensions, mm:	13620	2480	2650	13620	2480	2650 (2600)
( / length x width x height )	33.8			33.8		
/ Floor area, m <sup>2</sup>	27			27		
/ Platform flooring made of laminated plywood 27 mm	89			89 (87)		
<sup>3</sup> /Volume of a platform, m <sup>3</sup>	1150			1150 (1192)		
( ), / Height of fifth wheel ( ),	JOST			JOST		
/ The manufacturer of basic devices	/ established			/ established		
/ ABS	/ established			/ established		
/ The holder of spare wheel	/ pneumatic			/ pneumatic		
/ Suspension	385/65 R22.5			385/65 R22.5		
/ Tyres dimensions	3/6+1			3/6+1		
/ Quantity of axles / of wheels	BPW	SAF ( )		BPW	SAF ( )	
/ Axles	/ awning platform with berths					
/ Platform						
	/ Folding quick-take-off side supports ensure side loading of semi-trailer without dismantling tent-frame with back bort.					
	/ racks MAZ			.Hesterberg		
/ Boards	/ platform details by Hesterberg					
	/ sandwich-panel "MAZ- Kupava"			/ from aluminum anodized profile		
/ Constructive features				.Aspoeck		
				/ electronic equipment by Aspoeck		





# АВТОМОБИЛЬНЫЙ ПОЛУПРИЦЕП SEMITRAILER

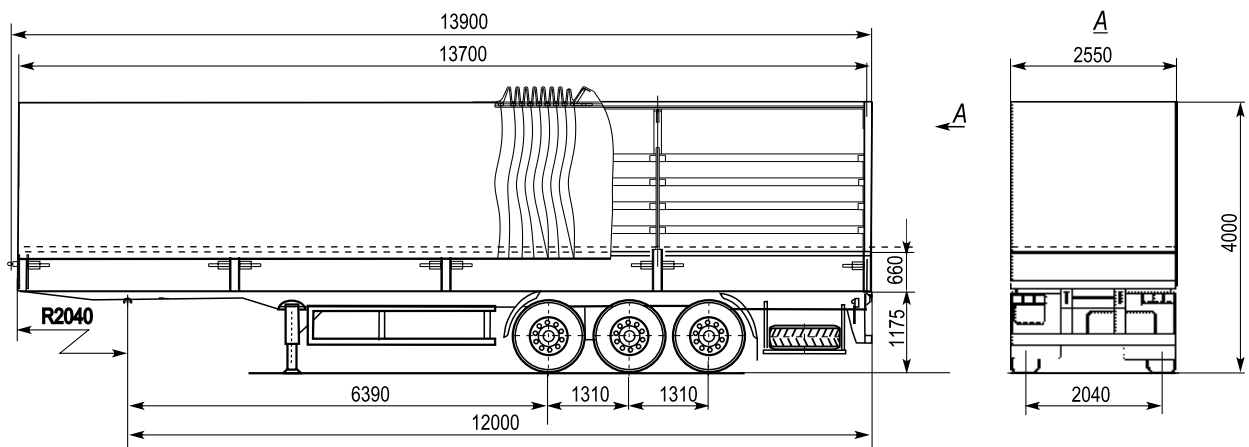
Соответствуют требованиям ТИР для транспортировки различных грузов в системе транзитных перевозок МДП в составе автопоезда

Satisfy the requirement of TIR and designed for carrying of different loads in the roadtrain in the system of transit transportations



## MA3-975830-3021,3022

	-975830-3021	-975830-3022
/ Tolerable mass, kg		
- / of carried load	27900	27900
- / of equipped semitrailer	6700	6700
- / gross mass of semitrailer	34600	34600
/ distribution of the tolerable mass:		
- / on fifth wheel	10600	10600
- / on bogie	24000	24000
/ Platform dimensions, mm:		
( / length x width x height )	13620 2480 2650	13620 2480 2650
, <sup>2</sup> / Floor area, m <sup>2</sup>	33.8	33.8
, <sup>3</sup> / Volume of a platform, m <sup>3</sup>		89
/ The manufacturer of the sliding roof mechanism		VBG
( ), / Height of fifth wheel ( ),		1150
/ The manufacturer of basic devices		JOST
/ ABS		Wabco / established Wabco
/ The holder of spare wheel		/ established
/ Suspension		/ pneumatic
/ Tyres dimensions		385/65 R22.5 Matador
/ Quantity of axles / of wheels		3/6+1
/ Axles		BPW ( SAF ) / BPW (or SAF)
/ Platform	/ racks MAZ	/ awning platform with berths
/ Boards	" - "	.Hesterberg
/ Braking system	/ sandwich-panel "MAZ- Kupava"	/ platform details by Hesterberg
/ Constructive features	/ Two-wire with disk brakes	/ from aluminum anodized profile
		Two-wire with disk brakes
		.Aspoeck
		/ electronic equipment by Aspoeck







## АВТОМОБИЛЬНЫЙ ПОЛУПРИЦЕП - ТЯЖЕЛОВОЗ HEAVY - DUTY SEMITRAILER

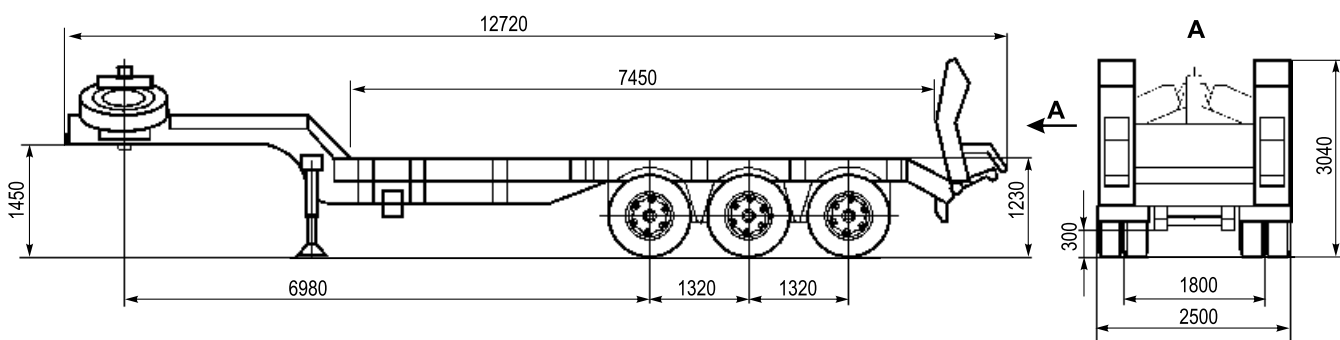
Предназначен для перевозки  
строительной техники

Designed for carrying  
forming part of  
constructive machinery



**MA3-937900-010**

		<b>-937900</b>
/ Tolerable mass, kg		42000
- / of carried load		13000
- / of equipped semitrailer		55000
- / gross mass of semitrailer		
/ distribution of the tolerable mass:		
- / on fifth wheel		17000
- / on bogie		38000
/ Platform dimensions, mm:		
( / length x width x height )		7450 x 2500 x 3400
( ), / Height of fifth wheel ( ),		1450
/ The manufacturer of basic devices		i
/ ABS		/ established
/ The holder of spare wheel		2 / established 2
/ Suspension		/ springs and walking beams
/ Tyres dimensions		11,00R20
/ Quantity of axles / of wheels		3/12+2
/ Axles		
/ Maximum speed, km/h	45 (25	43000 )





# АВТОМОБИЛЬНЫЙ ПОЛУПРИЦЕП - ПАНЕЛЕВОЗ SEMITRAILER

Предназначен для транспортировки различных ж/б панелей в составе автопоезда

Designed for transportation of different ferroconcrete panels with auto train

## MA3-998500



		-998500
-	/ Tolerable mass, kg	31000
-	/ of carried load	8000
-	/ of equipped semitrailer	55000
-	/ gross mass of semitrailer	
-	/ distribution of the tolerable mass:	
-	, / on fifth wheel	14300
-	, / on a single axis of the tract	9000
( )	/ Height of fifth wheel ( )	1350
	/ The manufacturer of basic devices	
/ ABS		/ established
	/ The holder of spare wheel	/ established
/ Suspension		/ leaf-spring
/ Tyres dimensions		11,00R20 12,00R20
/	/ Quantity of axles / of wheels	2/8+1
/ Axles		

