

Nikiplast - M

Nikiplast - M

Idea

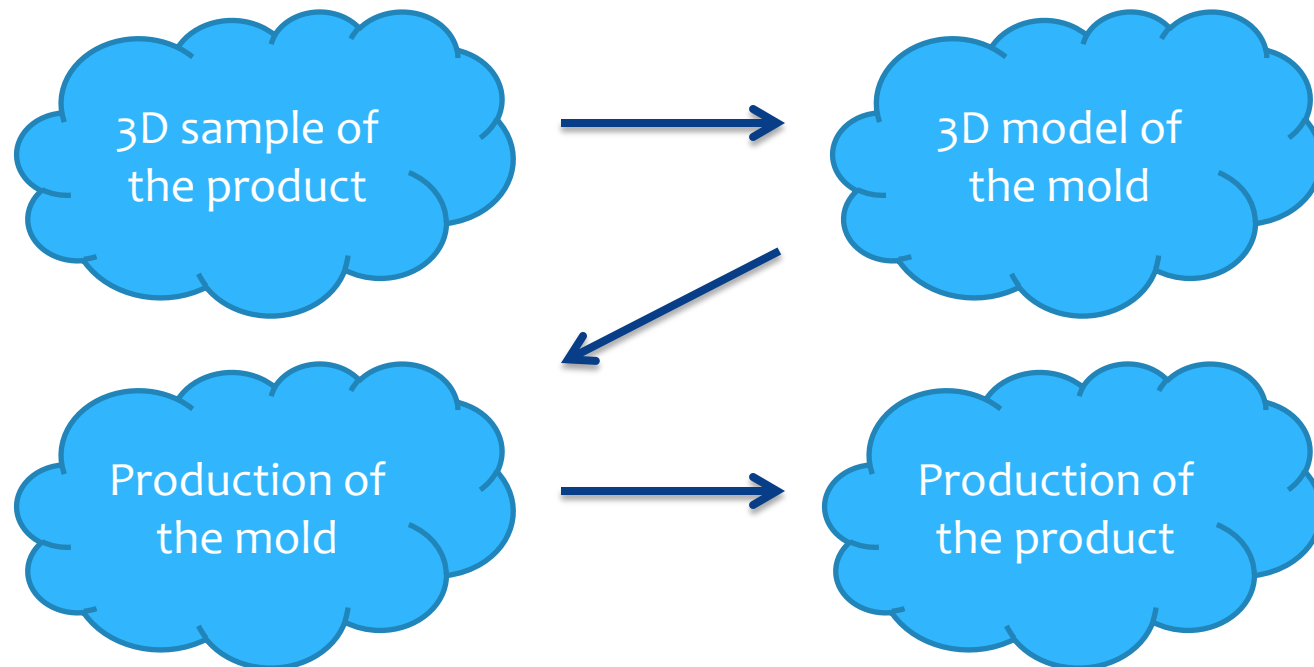


Why prototype or 0 - series

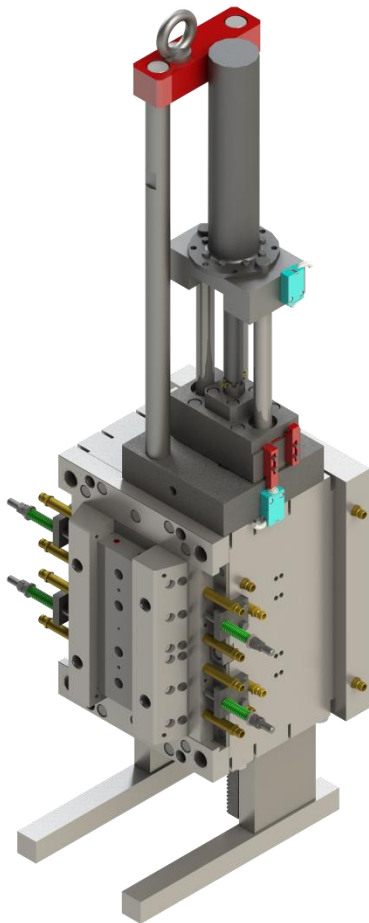
- Possibility for product preview or assembly options
- Real cost for product
- No high cost mistakes in injection and assembly
- Possibility for calculation of packaging and transport
- Possibility for market test

100% confidentiality

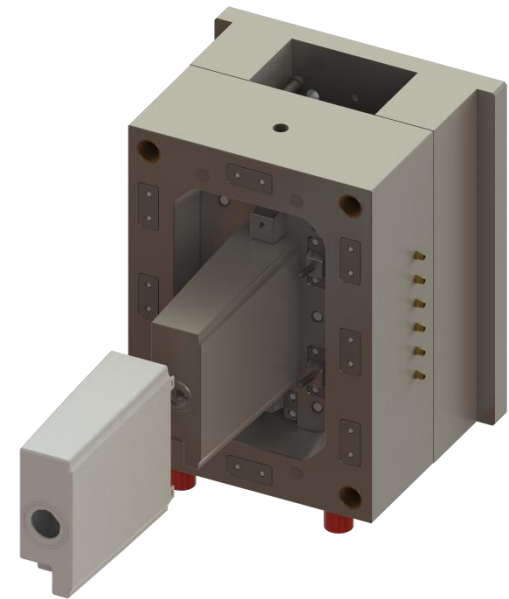
Time schedule plan for in production of prototype mold



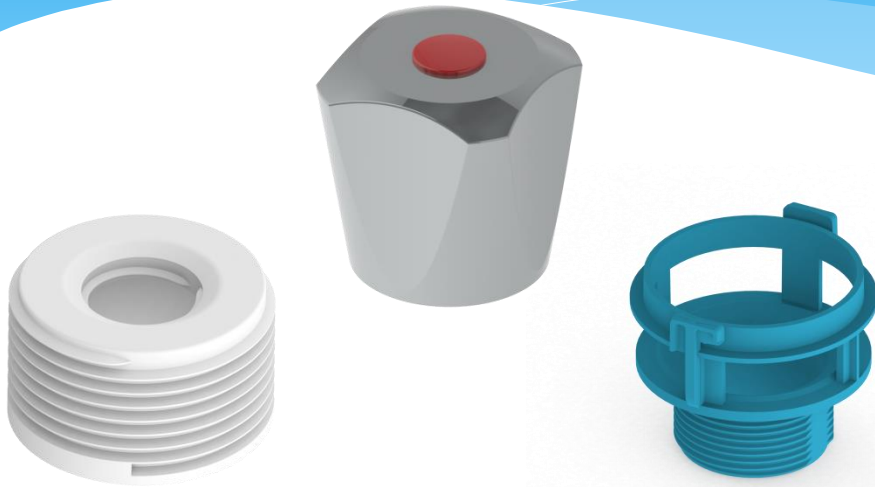
Prototype mold



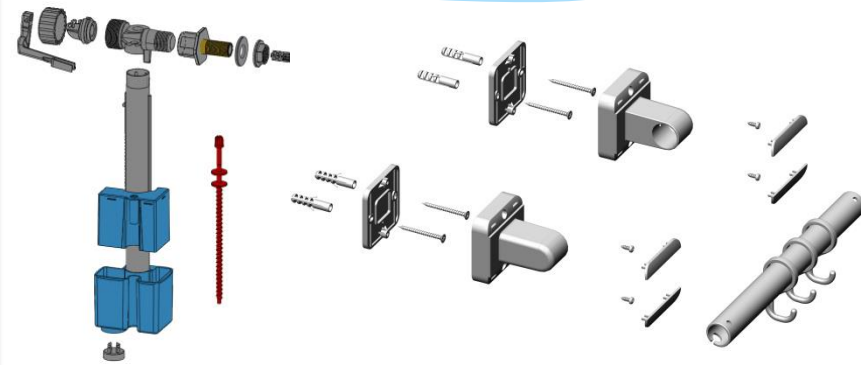
- Engineering and production of prototype molds, as well as 3D sampling with design programs



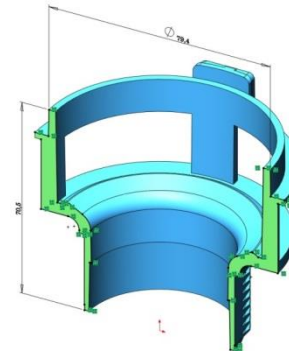
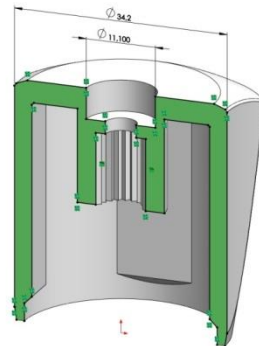
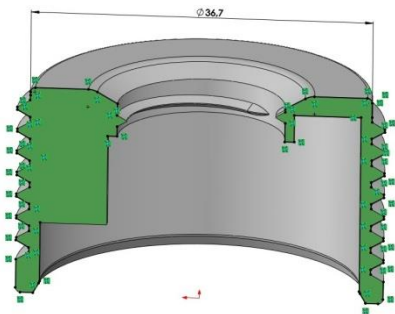
➤ Production of products for 0 – series:



➤ Possibilities for assembly:



➤ Analyzing problematic zones in the product as well as the problems in assembly:



Contact



NIKIPLAST-M Ltd.
5400 Sevlievo, Bulgaria
116 Marin Popov str.
+ 359 675 32 0 32
office@nikiplast.net
www.nikiplast.net

Martin KANEV
martin.kanev@nikiplast.net
+359 885 505 727