



MADE IN EU

NIKIPLAST - M



MADE IN EU



www.nikiplast.net

NIKIPLAST-M LTD

Head office:
GPS: 43.004175, 25.102566
5400 Sevlievo, Bulgaria, 116 Marin Popov Str.
Tel./Fax.: +359 675 3 25 45
e-mail: office@nikiplast.net

Warehouse:
GPS: 43.033655, 25.082360
5400 Sevlievo, Bulgaria,
96 Stefan Peshev Str.
Tel.: +359 675 3 20 32

2022/01

PRODUCT CATALOGUE

PLASTIC PRODUCTS MANUFACTURER

NIKIPLAST - M



Nikiplast-M is a family company, established in 1991. The company is focused on the production of plastic products for sanitary ware - plastic toilet tanks, plastic toilet seats, sets of inlet and outlet valves, bathroom accessories, bathroom furniture and more. For the short period on the market, Nikiplast-M has been approved as a strategic supplier for some of the major sanitary companies in the world.

We offer to our customer full closed process - from the engineering development of the molds, through the injection and galvanization, to the assembly and packaging of the finished products. We have one of the few in the East Europe fully automatic chrome plating line for plastic products. Our injection department is working with world leader technique, machines with clamping force from 40 to 900 tons.

Nikiplast-M is in compliance with „ISO 9001:2015“ standard and has a quality management system for design, technological development and construction of injection mold for plastic products certified by „RINA“. We are a proud member of „CISQ“ Federation, which represents IQNET - the world's largest provider of management system certifications.

We are flexible on the market and the requirements of our clients are our main goal.



CONTENT

- 4 Toilet tanks
- 7 Toilet seats
- 10 Inlet Valves for WC
- 12 Flush valves for WC
- 14 Fittings
- 15 Linear shower drains
- 16 Bathroom furniture
- 17 Bathroom accessories
- 18 Fastening elements
- 22 Handles

ICONS

- Mounting options:
 - * With flexible connection - hose
 - ** For a single toilet - with a set of fastening elements for single toilet.
- Soft close
- Produced with antibacterial material
- START STOP Start/Stop water flushing
- 2,5/5 | 3/6 | 2,5/5 and 3/6 liters water flushing
- Number of pieces in a box
- Size of the packaging of the product
- Size of the product

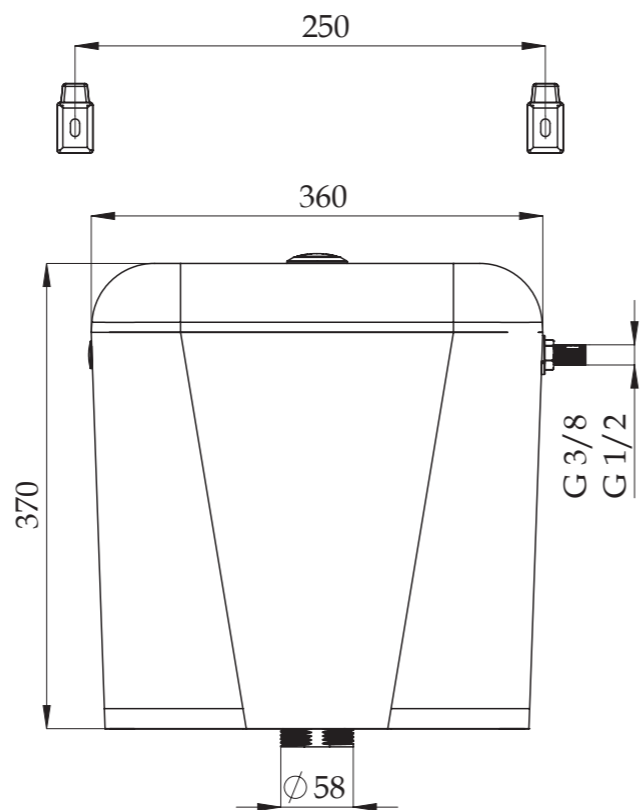


VIDEO INSTRUCTIONS FOR INSTALLATION

CERTIFICATES



TOILET TANK "CLASSIC"



• Dual flush mechanism 3/6L with galvanized button

3/6 l

Art. №	Mounting	Insulation	Barcode
00718	Using a hard pipe	Against condensation and noise	3800222590443
00717	Using a hard pipe	Without insulation	3800222590436
00216	Using a flexible pipe	Without insulation	3800222590870
00475	Using a flexible pipe	Against condensation and noise	3800222590740
00953	With a set of fastening elements for single toilet	Against condensation and noise	3800222591419

Art. № 750 697
Colors



Information for the product on nikiplast.net

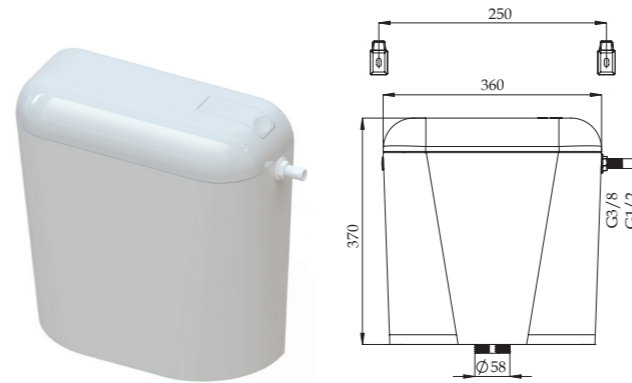


Video instructions for installation



*For mounting with flexible connection (hose), you need to take separately article No: 01812 - Set of flexible hose
**For mounting on a single toilet, you need to take separately article No: 00716 - Fastening element for single toilet

01596
TOILET TANK "START/STOP"



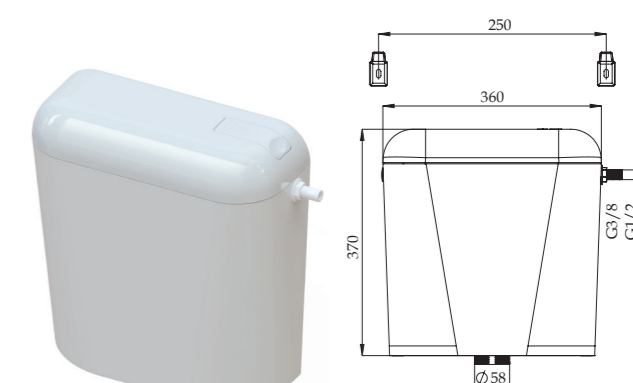
- Single flush mechanism - Start/Stop
- Insulation against condensation and noise
- Mounting using a hard pipe

START STOP

3800222591310



01369
TOILET TANK "START/STOP"



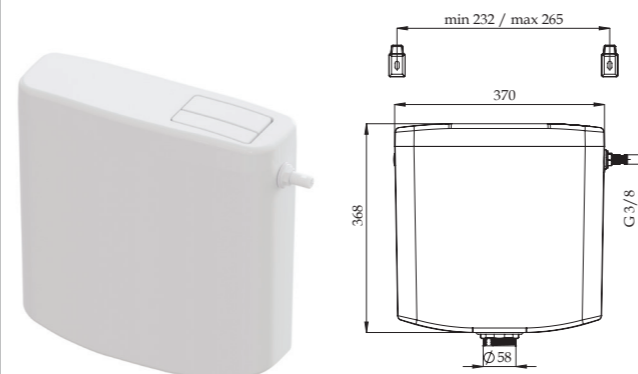
- Single flush mechanism - Start/Stop
- Without insulation
- Mounting using a hard pipe
- Package in a plastic bag - 4 pcs. in carton box

START STOP

3800222590153



02005 / 02062*
TOILET TANK "ECO"



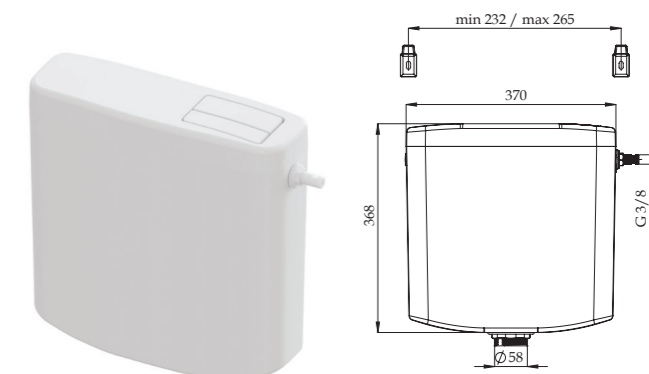
- Dual flush mechanism 2,5/5L
- Insulation against condensation and noise
- Mounting using a hard pipe
- 02005 - Package in a plastic bag - 5 pcs. in carton box
- 02062* - 1 pcs. in carton box (470x160x440 mm - 2,50 kg)

2,5/5 l

3800222592539 / 3800222592980*



02471
TOILET TANK "ECO"



- Dual flush mechanism 2,5/5L
- Insulation against condensation and noise
- High installation
- Pulling rope - included in the set

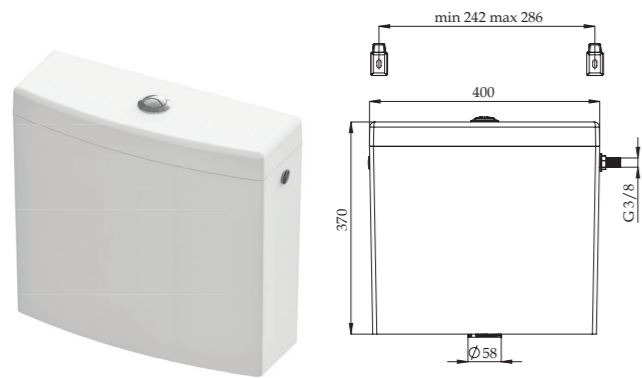
2,5/5 l

3800222593697



*For mounting with flexible connection (hose), you need to take separately article No: 01812 - Set of flexible hose
**For mounting on a single toilet, you need to take separately article No: 00716 - Fastening element for single toilet

01700 / 01705*
TOILET TANK "STANDARD"



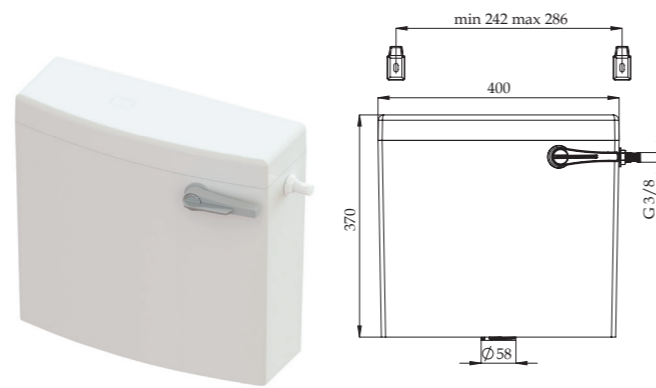
- Dual flush mechanism 3/6L with galvanized button
- Insulation against condensation and noise
- Mounting using a hard pipe
- 01700 - Side inlet valve
- 01705* - Bottom inlet valve



3800222591501 / 3800222591518*

1	470x160x440 mm	2,90 kg
---	----------------	---------

01797
TOILET TANK "RETRO"



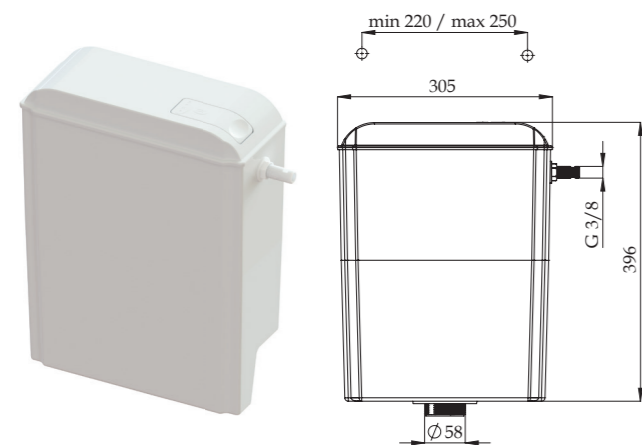
- Dual flush mechanism 3/6L with galvanized button
- Insulation against condensation and noise
- Mounting using a hard pipe
- Side inlet valve



3800222592430

1	470x160x440 mm	2,90 kg
---	----------------	---------

02006 / 02060*
TOILET TANK "SLIM"



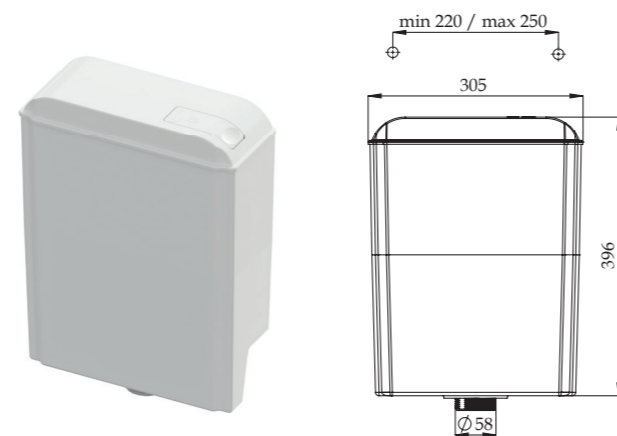
- Single flush mechanism - Start/Stop
- Mounting using a hard pipe
- Side inlet valve
- 02060* - single packaging



3800222592546 / 3800222592966*

5	600x400x440 mm	1,660 kg
---	----------------	----------

02007 / 02061*
TOILET TANK "SLIM"



- Single flush mechanism - Start/Stop
- Mounting using a hard pipe
- Bottom inlet valve
- 02061* - single packaging

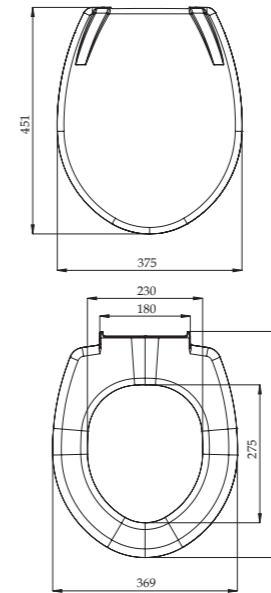


3800222592553 / 3800222592973*

5	600x400x440 mm	1,660 kg
---	----------------	----------

*For mounting with flexible connection (hose), you need to take separately article No: 01812 - Set of flexible hose
**For mounting on a single toilet, you need to take separately article No: 00716 - Fastening element for single toilet

00815 / 01389*
TOILET SEAT "MAGNOLIA"



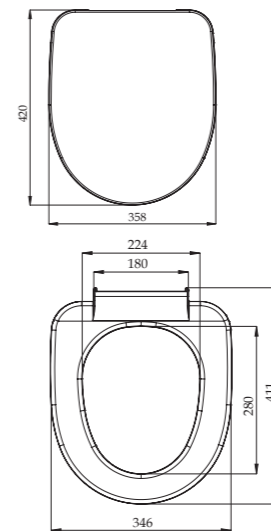
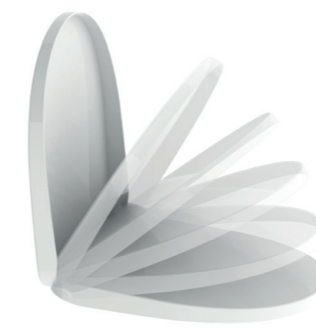
- 01389 - SOFT CLOSE
- With adjustable hinges
- Fits for the most of the toilet pots on the market



Art. № 865 866
Colors

Article №	Quantity	Barcode	Dimensions	Weight
00815	10	3800222590887	400x300x465 mm	0,900 kg
01389*	1	3800222590160*	380x50x470 mm	1,050 kg

01515 / 01657*
TOILET SEAT "IRIS"

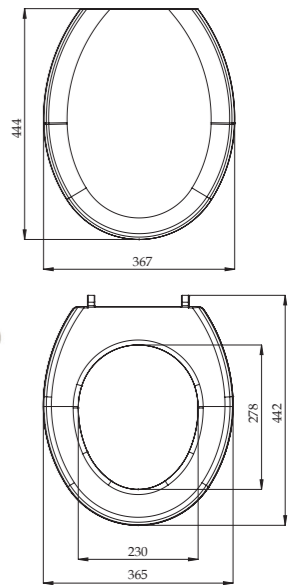


- 01515, 01657* - With adjustable hinges
- 01657* - SOFT CLOSE



Article №	Quantity	Barcode	Dimensions	Weight
01515	10	3800222590191	400x300x465 mm	0,900 kg
01657*	1	3800222591402*	380x50x470 mm	1,150 kg

02457
TOILET SEAT "KALA"



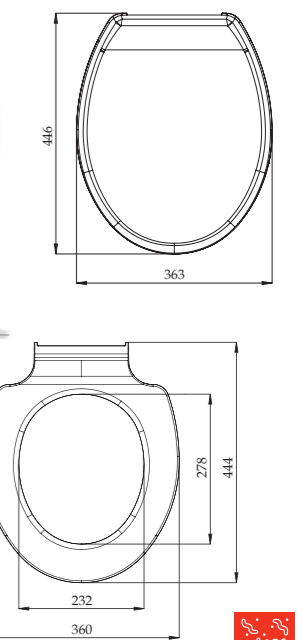
- Universal shape, fits for the most of the toilet pots on the market



3800222593673

8	400x300x465 mm	0,900 kg
---	----------------	----------

02101
TOILET SEAT "LOTUS"



- Slim design
- Fits on almost every toilet bowl on the market
- NO BUFFERS - for complete contact with the toilet bowl

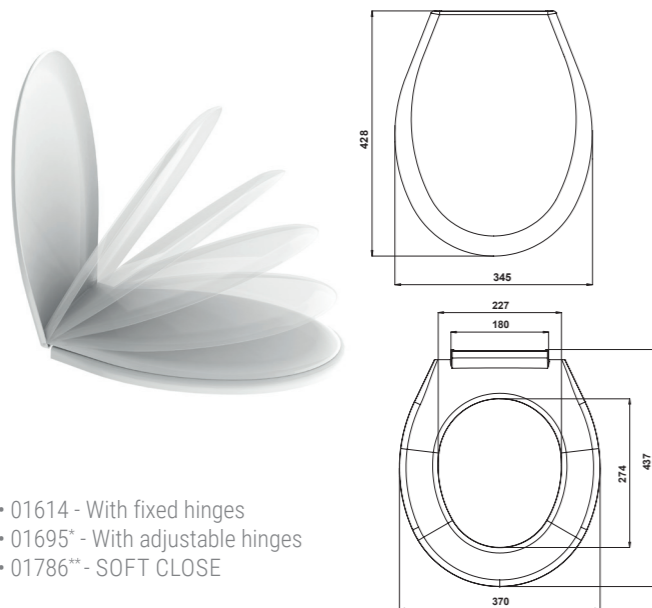


3800222593147

13	400x300x465 mm	0,780 kg
----	----------------	----------

01614 / 01695* / 01786**

TOILET SEAT "LILIA"



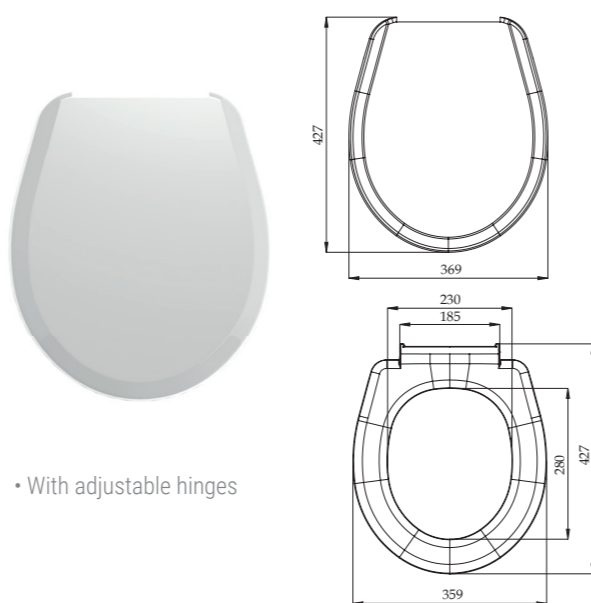
- 01614 - With fixed hinges
- 01695* - With adjustable hinges
- 01786** - SOFT CLOSE



Article №	Quantity	Barcode	Dimensions	Weight
01614	10	3800222591341	400x300x465 mm	0,600 kg
01695*	10	3800222592065*	400x300x465 mm	0,620 kg
01786**	9	3800222591853**	400x300x465 mm	0,700 kg

01173

TOILET SEAT "ORHIDEA"

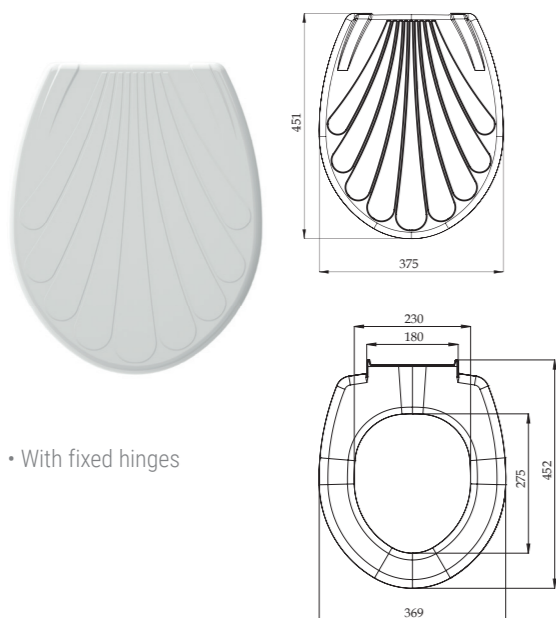


- With adjustable hinges

Barcode	Quantity	Dimensions	Weight
3800222590016	9	400x300x465 mm	0,900 kg

01116

TOILET SEAT "DALIA"



- With fixed hinges

Barcode	Quantity	Dimensions	Weight
3800222590733	10	400x300x465 mm	0,800 kg

EASY FIX



All the screws of the hinges of our toilet seats are fastened through a "fast nut", which ensures the faster installation and at the same time - reliability, as it is fastened properly and tightly, after the tightening of the "fast nut".

Quantity	Dimensions	Weight
10	400x300x465 mm	0,800 kg

02636 / 02634* / 02635**

ADAPTER FOR TOILET SEAT FOR CHILDREN



Article №	Quantity	Barcode	Dimensions	Color
02636	20	3800222593741	600/400/400 mm	white
02634*	20	3800222593727*	600/400/400 mm	blue
02635**	20	3800222593734**	600/400/400 mm	pink

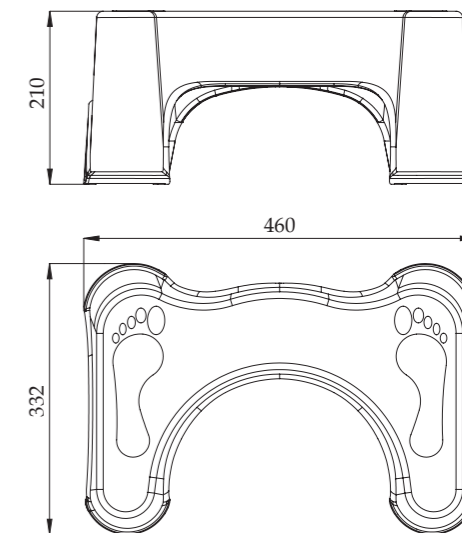
01957

TOILET ASSISTANT



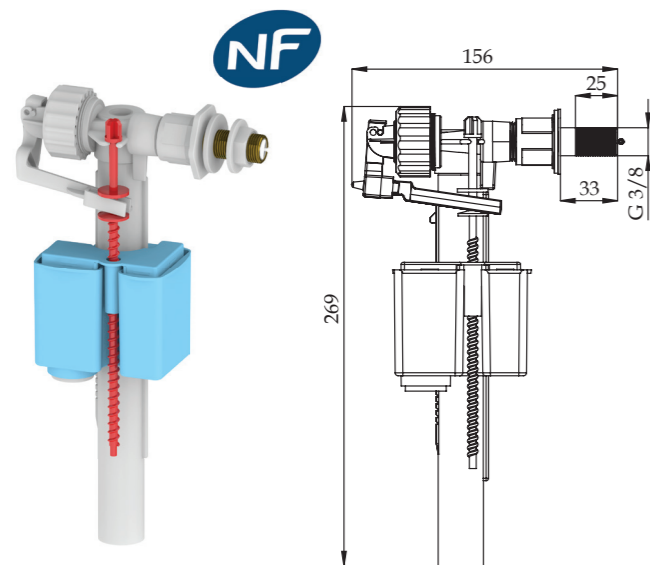
- Comfortable, compact design - can be pulled back to the toilet pan, to save space
- Silicon buffers against slipping

Barcode	Quantity	Dimensions	Weight
3800222592485	10	480x370x700 mm	0,800 kg



Information for the product on nikiplast.net

00276 / 01914* / 01068 / 01642*****
SIDE INLET VALVE WITH BRASS NOZZLE



• With instruction for mounting and spare filter

32/50*/32**/1*** 154x56x280 mm

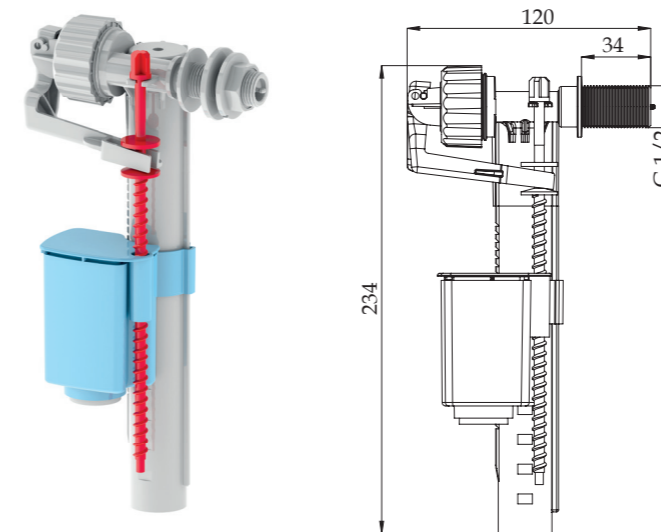


Information for the product on nikiplast.net



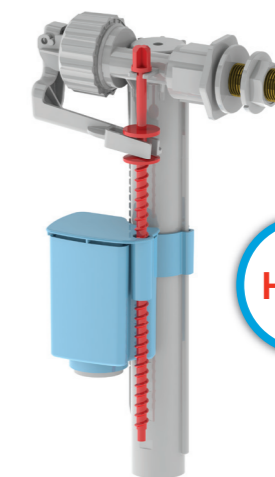
Article №	KG	Barcode	Packaging	Size
00276	0,320 kg	3800222590337	carton box	3/8
01914	0,320 kg	3800222592331	plastic bag	3/8
01068	0,320 kg	3800222590702	carton box	1/2
01642	0,320 kg	3800222593161	plastic bag	1/2

01598 / 01916* / 02316 / 02317 / 02654 / 02655
SIDE INLET VALVE "COMPACT"



• With instruction for mounting

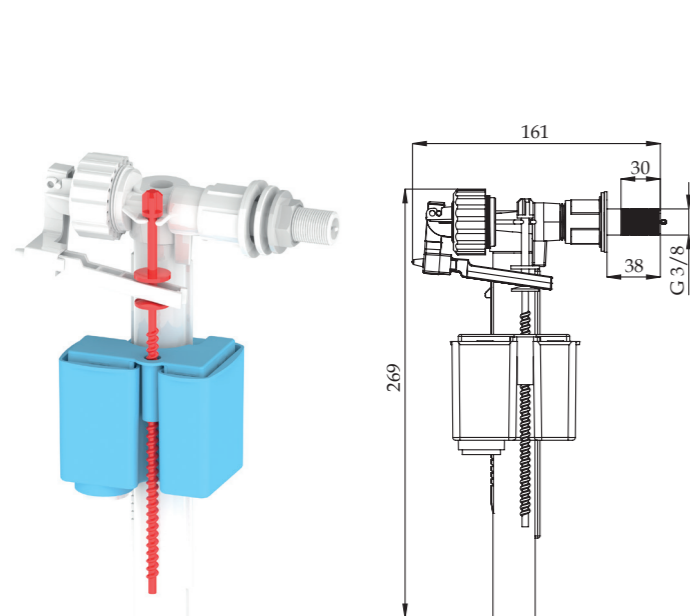
40/50* 154x56x280 mm



• Brass nozzle

Article №	KG	Barcode	Packaging	Size
01598	0,300 kg	3800222591327	carton box	3/8
01916	0,300 kg	3800222592355	plastic bag	3/8
02316	0,300 kg	3800222593406	carton box	1/2
02317	0,300 kg	3800222593413	plastic bag	1/2
02654	0,320 kg	3800222593703	plastic bag	1/2
02655	0,320 kg	3800222593710	plastic bag	3/8

00625 / 01915* / 01096 / 01641*****
SIDE INLET VALVE WITH PLASTIC NOZZLE



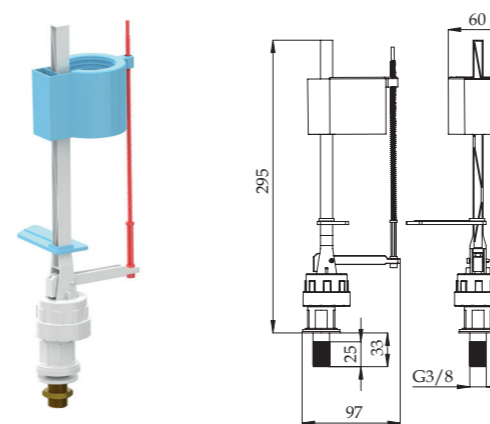
• With instruction for mounting and spare filter

32/50*/1**/1*** 154x56x280 mm



Article №	KG	Barcode	Packaging	Size
00625	0,290 kg	3800222590566	carton box	3/8
01915	0,290 kg	3800222592348	plastic bag	3/8
01096	0,290 kg	3800222590719	carton box	1/2
01641	0,290 kg	3800222593154	plastic bag	1/2

00429 / 01918* / 01069 / 01562*****
BOTTOM INLET VALVE WITH BRASS NOZZLE

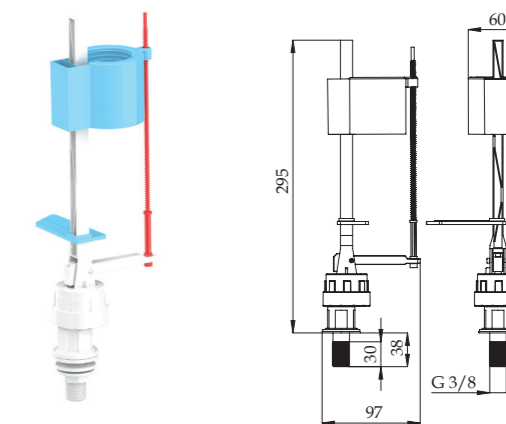


• Size 3/8
• 01069**, 01562*** - size 1/2
• With instruction for mounting
• Package in a carton box
• 01918*, 01562*** - package in a plastic bag

3800222590344 / 3800222592379* / 3800222590672 / 3800222593185*****

28/50*/28**/50*** 100x85x342 mm 0,300/0,290** kg

00113 / 01917* / 01095 / 01061*****
BOTTOM INLET VALVE WITH PLASTIC NOZZLE



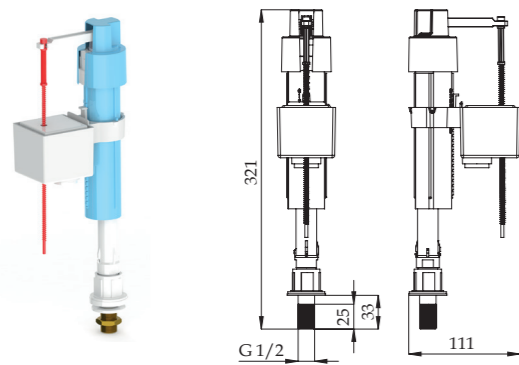
• Size 3/8
• 01095** - size 1/2
• With instruction for mounting
• Package in a carton box
• 01917* - package in a plastic bag

3800222590580 / 3800222592362* / 3800222590726 / 3800222593178*****

28/50*/28**/50*** 100x85x342 mm 0,250 kg

01658 / 01661*

BOTTOM INLET VALVE WITH BRASS NOZZLE



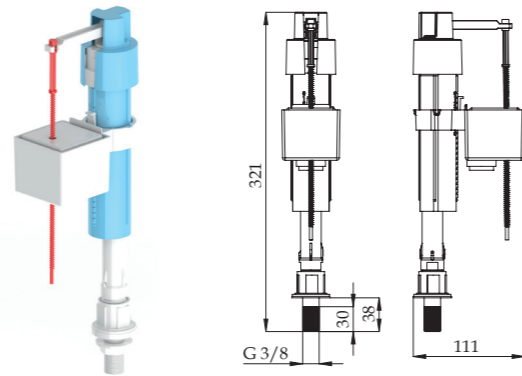
- Size 3/8
- 01661* - size 1/2
- With instruction for mounting
- Package in a plastic bag x 1 pcs.

3800222591457 / 3800222591440*



01659 / 01660*

BOTTOM INLET VALVE WITH PLASTIC NOZZLE



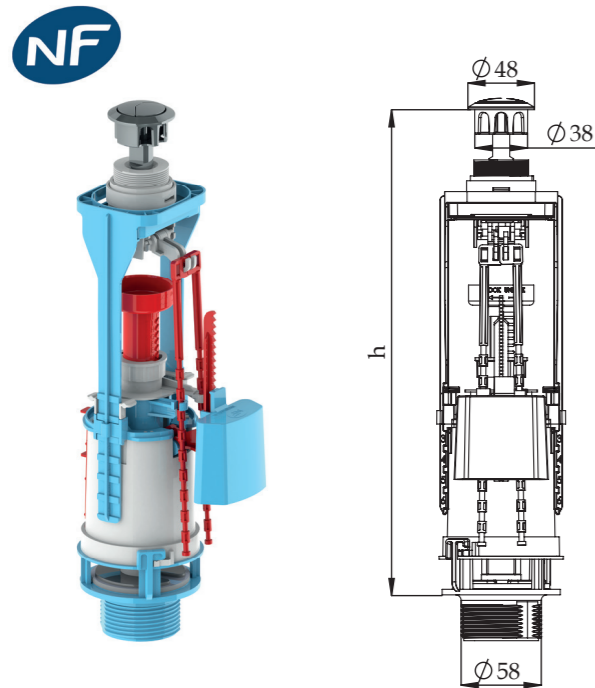
- Size 3/8
- 01660* - size 1/2
- With instruction for mounting
- Package in a carton box

3800222591433 / 3800222591426*



00125 / 02063* / 00412 / 01047*****

FLUSH VALVE - ADJUSTABLE



- 02063 - package in a plastic bag x 20 pcs. in a carton box



00125/02063

- In a set with fastening elements for single toilet, sealant, button, fastening tool, instruction for installation.

00412

- In a set with fastening elements for single toilet, sealant, button, fastening tool, instruction for installation.

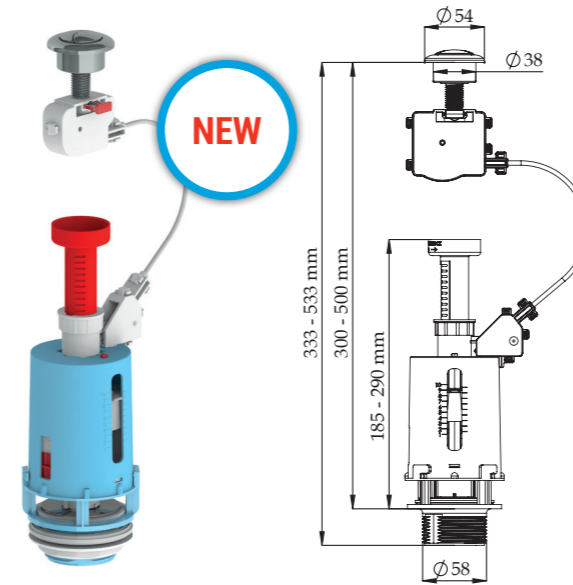
01047

- Without a button, mounting set and sealant – a spare part for toilet tank, produced by NIKIPLAST

Article №	h mm	kg	Barcode
00125/type A	320 ÷ 410	0,700	3800222590351
02063/type A	320 ÷ 410	0,650	3800222592997
00412/type G	340	0,700	3800222590597
01047/type D	355	0,700	3800222591280

02073

FLUSH VALVE - CABLE SYSTEM



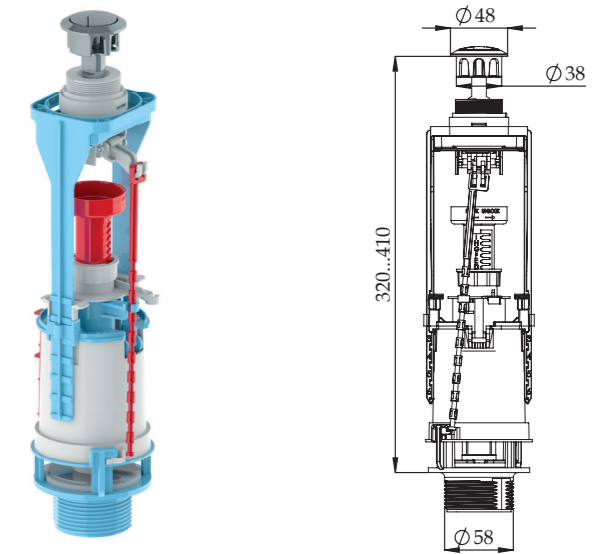
- Easy mounting
- Double flush cable system - chromed buttons
- In a set with fastening elements for single toilet, sealant, button, fastening tool and installation instruction.
- Package in a plastic bag - 1 pcs. in a box x 12 plastic bags in a carton box

3800222593079



01664

FLUSH VALVE - SINGLE BUTTON



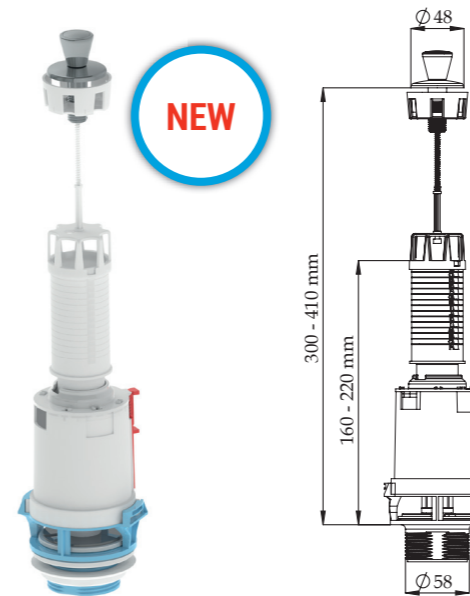
- In a set with fastening elements for single toilet, sealant, button, fastening tool, instruction for installation.

3800222591488



02074

PULL FLUSH VALVE



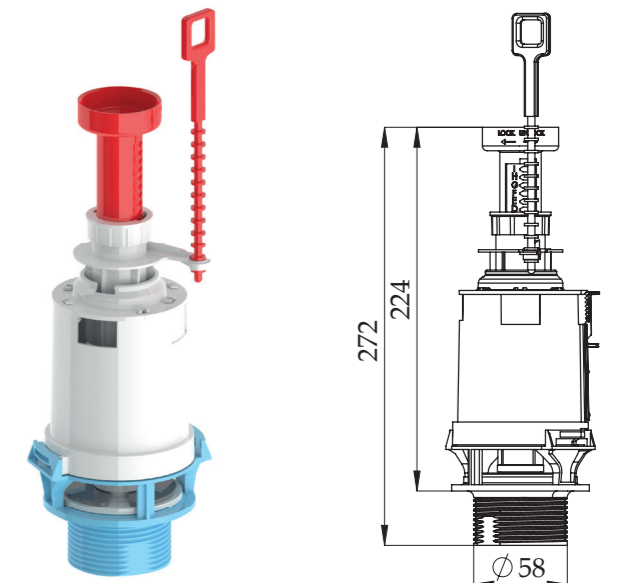
- In a set with fastening elements for single toilet, sealant, button, fastening tool, instruction for installation.

3800222593086



01662

FLUSH VALVE - START/STOP



- With small seal for single toilet
- Package in a plastic bag - 1 pcs. x 25 pcs. in a carton box

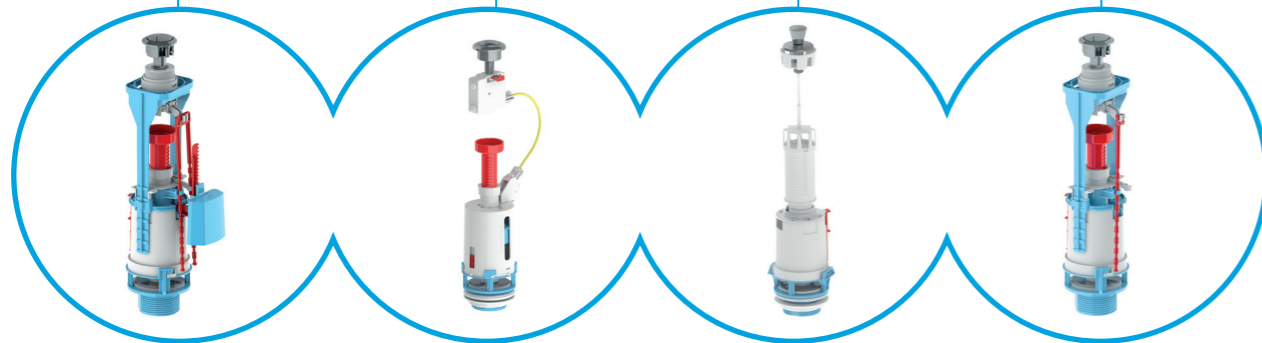
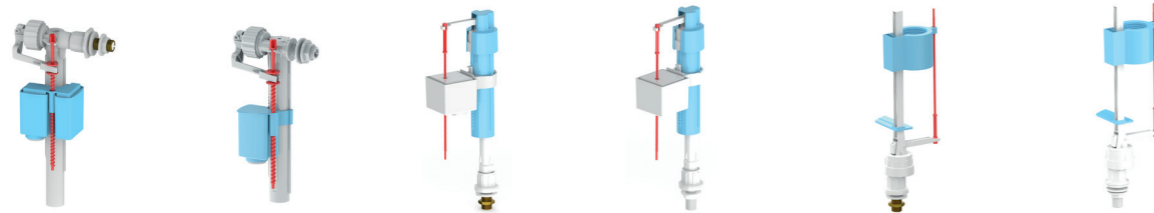
3800222591464



NEW SINGLE FLUSH OUTLET VALVE FOR TOILET TANKS FROM NIKIPLAST-M LTD



SETS OF INLET AND OUTLET VALVES



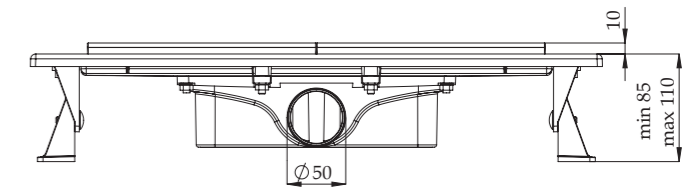
Articles and options	INLET VALVE					FLUSH VALVE				
	Side inlet	Bottom inlet		Nozzle		Size	Double flush 3/6 l.	Single flush	Cable system	Pull mechanism
		Low level filling	High level filling	Plastic	Brass					
00536		■		■		■				
00537		■			■	■				
00708	■			■		■				
00774	■				■	■				
02131		■		■		■		■		
02132	■			■		■		■		
02135	■			■		■				■

*For demand of different combinations of the sets, please send us a request.

01902
LINEAR SHOWER DRAIN INOX GRID



Article №			
01902	270 mm	1,000	3800222592287
01623	406 mm	1,570	3800222591358
01624	609 mm	1,860	3800222591365
01625	812 mm	2,170	3800222591372



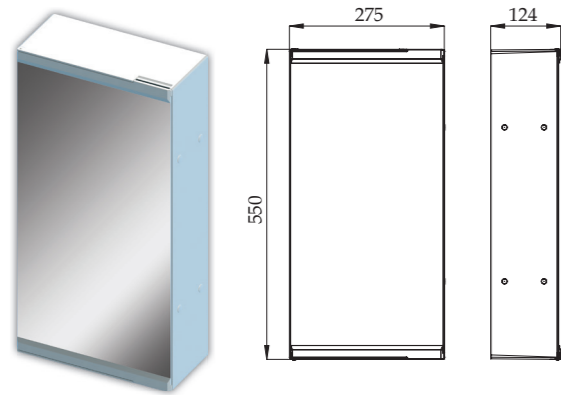
01616 / 01617* / 01618**
INOX GRID FOR LINEAR SHOWER DRAIN



Article №		
01616	406 mm	1 pcs.
01617	609 mm	1 pcs.
01618	812 mm	1 pcs.

02000

MODULAR BATHROOM CABINET



- Availability for combination of 1-2 or more modules
- Fastening elements for mounting to other module
- Fastening elements for wall mounting
- Mirror

3800222592515



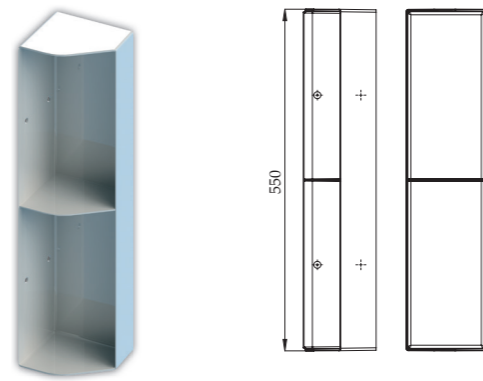
600x400x440 mm



2,450 kg

02002

MODULE CORNER - BATHROOM CABINET



- Availability for combination of 1-2 or more modules
- Fastening elements for mounting to other module

3800222592522



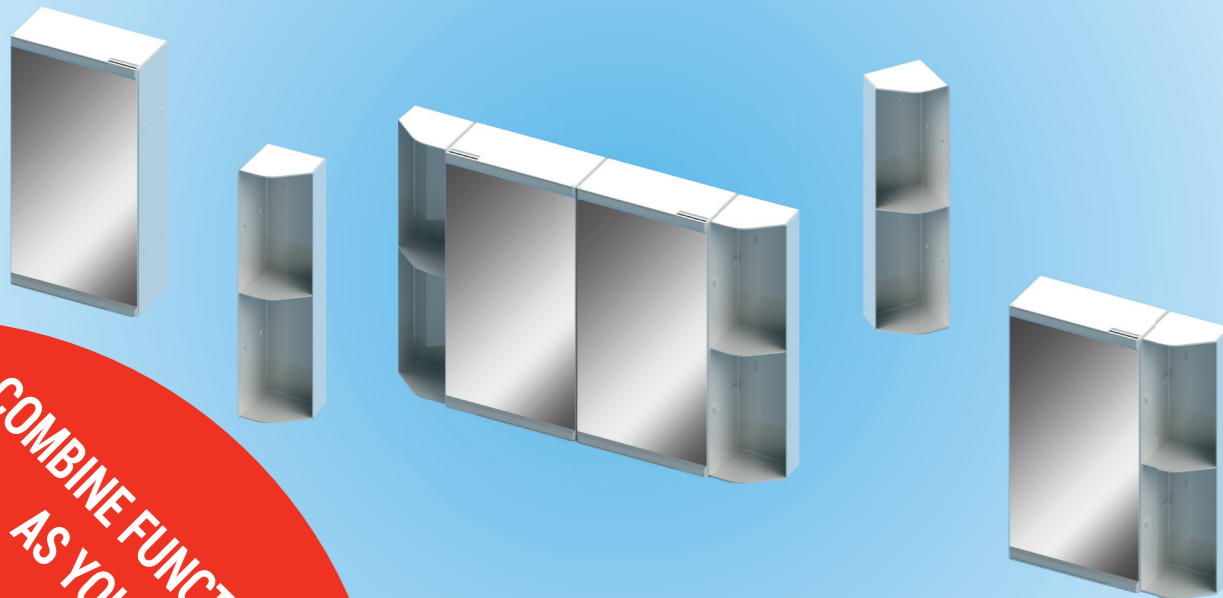
600x400x440 mm



0,520 kg



NIKIPLAST - M
PLASTIC PRODUCTS MANUFACTURER

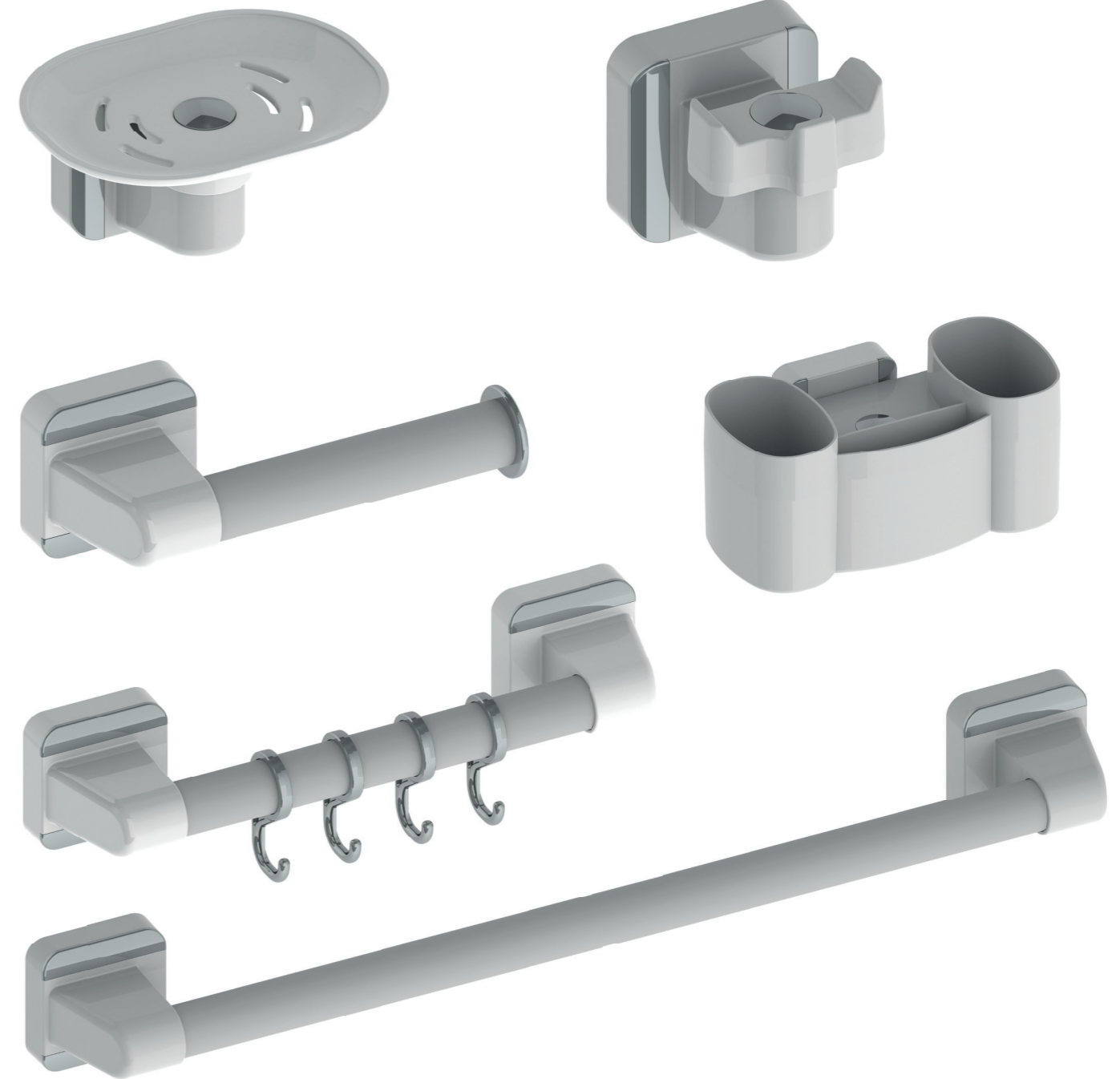


COMBINE FUNCTIONALLY
AS YOU WISH

www.nikiplast.net

02330

BATHROOM ACCESSORIES - 6 PARTS



Set - 6 pieces includes:

- Soap holder – 1 pcs.
- Robe hanger – 1 pcs.
- Toilet paper holder – 1 pcs.
- Towel hanger – 1 pcs.
- Organizer – 1 pcs.
- Towel stand – 1 pcs.



Information for
the product on
nikiplast.net

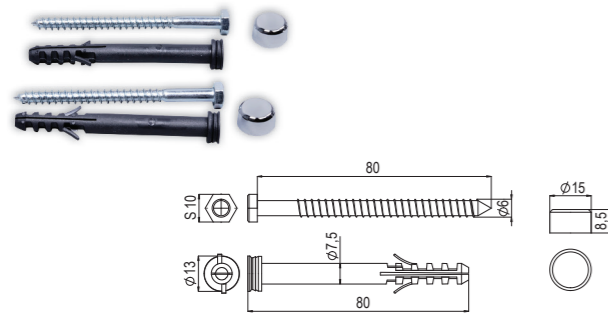
3800222593567



0,750 kg

00270

FOR LAVATORY - 6/80 mm

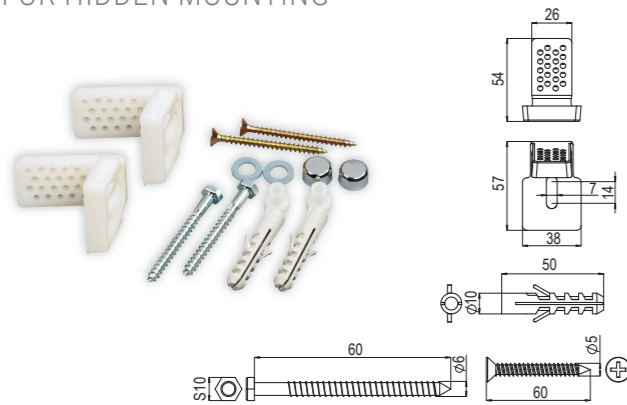


- Used to mount the toilet to the floor.
- In set with 2 pieces galvanized stoppers, which hide the screws

3800222590399

00271

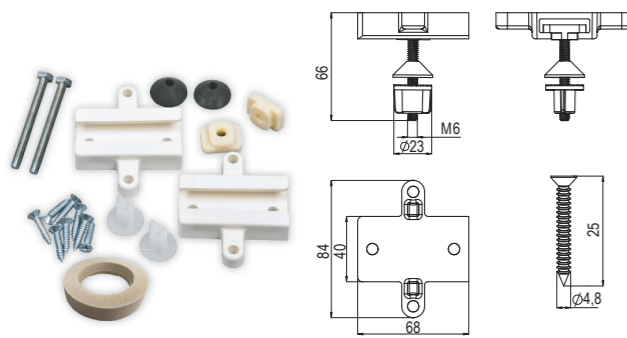
FOR HIDDEN MOUNTING



3800222590207

00716

FOR DIRECT MOUNTING ON WC

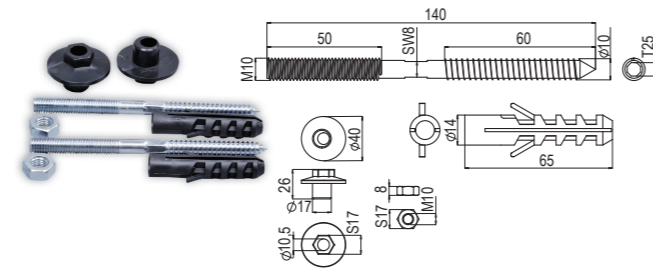


- Used to mount the toilet cistern to a "single toilet"
- Compatible only with toilet tanks produced by NIKIPLAST-M.

3800222590658

00269

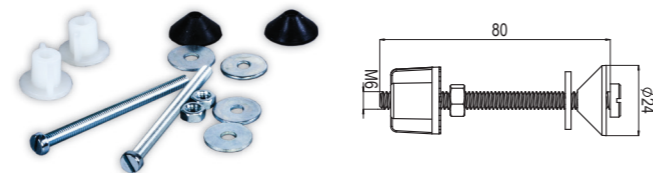
FOR SINK - 10/140 mm



3800222590405

00725

FOR CERAMIC CISTERN

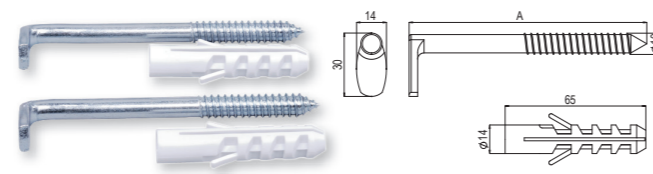


- This type fasteners are used for fastening of the ceramic cistern to the toilet bowl

3800222590214

00295 / 00296* / 00297**

UNIVERSAL WITH HOOK



3800222590221 / 3800222590238* / 3800222590245**

Article №		
00295	100 mm	0,120
00296	120 mm	0,135
00297	140 mm	0,160

00316 / 00519*

FIXED HINGES FOR TOILET SEATS

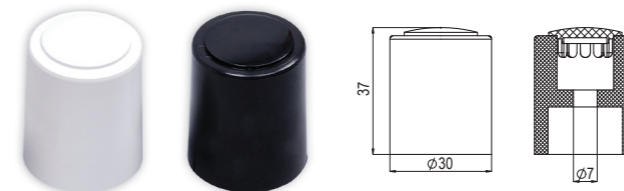


- 00519* - with galvanized cap

3800222590252 / 3800222590429*

00443 / 00477*

DOOR STOPPER

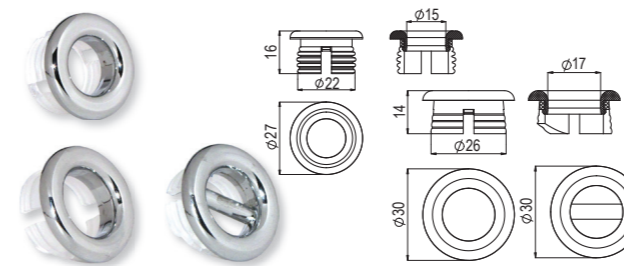


- 00443 – White
- 00477 – Black
- In set with screws

3800222590528 / 3800222591198*

01835 / 01836* / 01837**

OVERFLOW BUSHING GALVANIZED

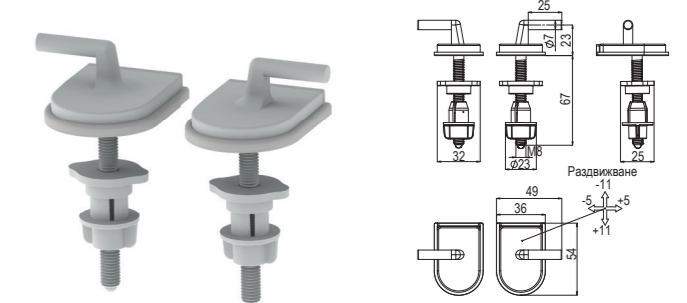


3800222591990 / 3800222592003* / 3800222592010**

Article №	
01835	small
01836	large
01837	with bar

01274

ADJUSTABLE HINGES FOR TOILET SEAT

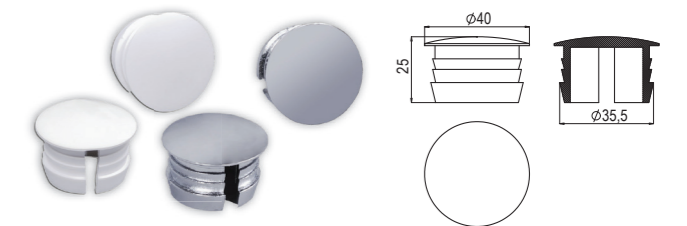


- Adjustable hinge for toilet seat and cover with option for regulating the position of the seat. Unifies the differences between the different standards of the wholes of the toilet pots.

3800222590177

00464 / 00279* / 00280 / 00700*****

COVERING CAP FOR SINK

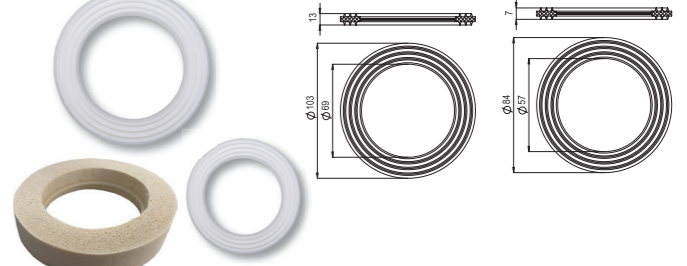


- 00464 – white, single packaging
- 00279 – white, 20 pcs. in package
- 00280 – galvanized, 20 pcs. in package
- 00700 – galvanized, single packaging

3800222590290 / 3800222593420* / 3800222593437** / 3800222590283***

00233 / 00109* / 00598**

SEAL FOR FLUSH VALVE

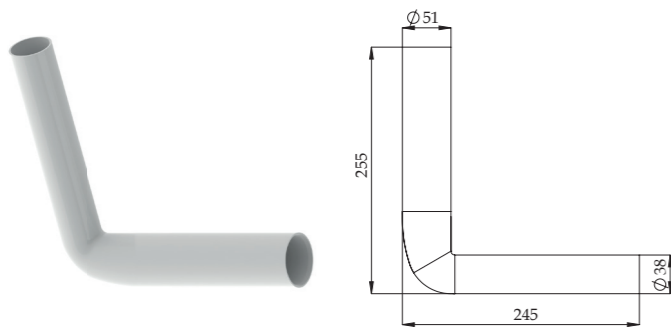


3800222590610 / 3800222590368* / 3800222591730**

Article №	
00233	small
00109	large
00598	large (XPS material)

00632

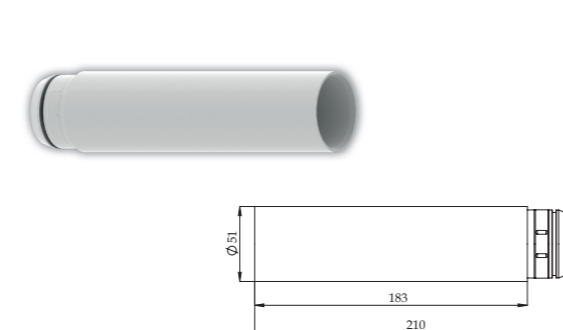
PIPE FOR TOILET TANK



- Ø 38 diameter at the toilet pot
- Ø 51 diameter at the toilet tank
- For toilet tanks from Nikiplast - M

3800222591099
00351

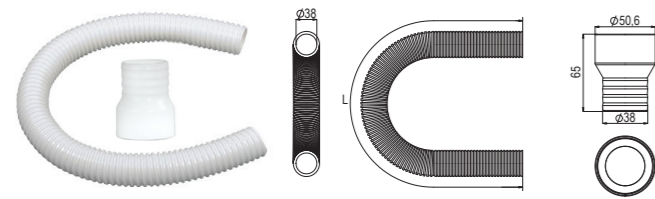
EXTENSION FOR FIXED COUPLING



- Ø 51
- For a pipe for toilet tank from Nikiplast - M

3800222593048
01812 / 00664* / 01500**

FLEXIBLE COUPLING FOR TOILET CISTERN



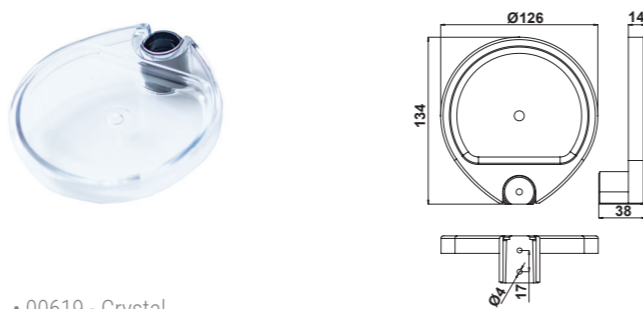
- Ø 38
- 01812 - Length 1 m
- 00664 - Length 20 m
- 01500 Spare part
- For toilet tanks from Nikiplast - M

3800222591914 / 3800222590092* / 3800222590559**
01471

FASTENING SET FOR TOILET TANK OF NIKIPLAST-M


3800222593062
02743RUBBER SEAL CONNECTION
FOR PIPE FOR TOILET TANK
3800222593802
00619 / 00420*

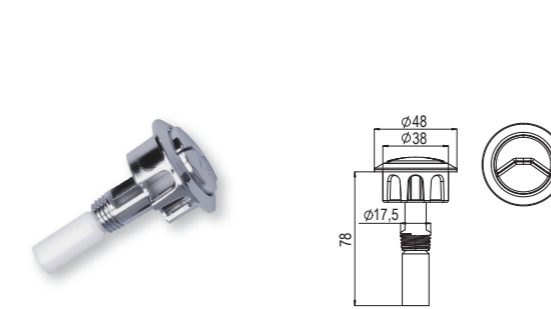
SOAP HOLDER FOR PIPE MOUNTING



- 00619 - Crystal
- 00420 - White

3800222591162 / 3800222590320*
00421

BUTTONS FOR FLUSH VALVE



- 3/6 l.
- For outlet mechanisms from Nikiplast - M

3800222590375
01748 / 01749*

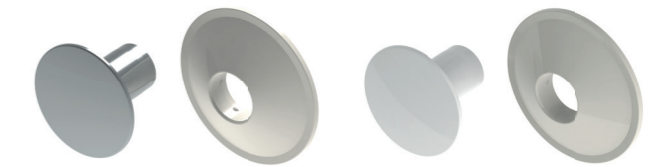
FILTER



- 01748 - 3/8 to 3/8
- 01749* - Filter (adapter) 3/8 to 1/2

3800222591679 / 3800222591686*
01750 / 01751*SPARE PARTS FOR SIDE INLET VALVE
WITH FILTER

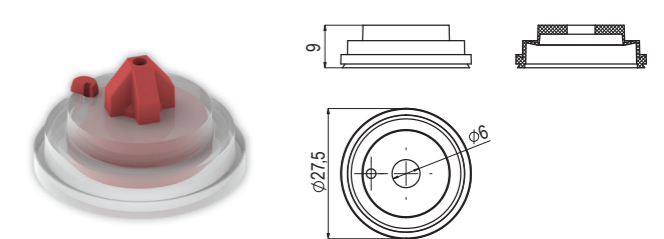
- 01750 - 3/8 to 3/8
- 01751 - 3/8 to 1/2
- Include: 2 pcs. water filter, mounting tool, membrane and nozzle filter

3800222591693 / 3800222591709*
01701 / 01702*DECORATIVE CAP FOR SIDE FILLING VALVE
OPENING

- 01701 - Galvanized
- 01702* - White
- Covers a hole with diameter from 13 to 30 mm.

3800222591952 / 3800222591969*
00910

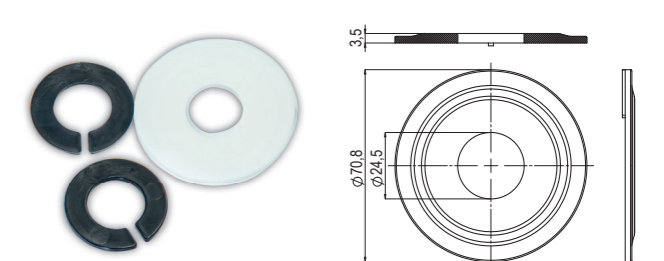
MEMBRANE FOR SIDE INLET VALVE



- Spare part for bottom and side inlet valves
- For inlet mechanisms from Nikiplast - M

3800222591211
00912

SEAL FOR FLUSH VALVE



- 3/6 l

3800222591235

3/6 l

01216
SHOWER HANDLE



• Universal douche handle

3800222590139

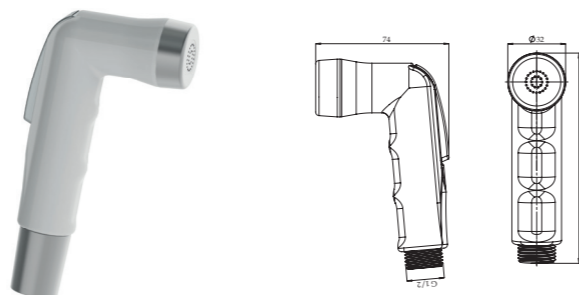
00459* / 00159**
SHOWER STAND WITH TREENAIL AND SCREW



• 00459* - white
• 00159** - galvanized

3800222590627* / 3800222592140**

01801 / 01924*
HYGIENIC SHOWER SET

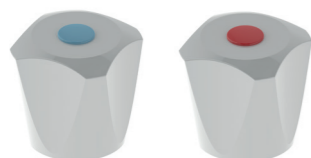


• 01924* - Hygienic shower - spare part

3800222592119 / 3800222592393*

HANDLES

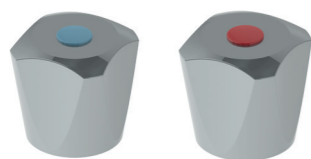
00204* / 00454 / 00203*** / 00455******
HANDLE "C 200"



Article №	Z	Color	
00204	Z20	Ø8x20	white 120 pcs.
00454	Z20	Ø8x20	white 2 pcs.
00203	Z16	Ø9x16	white 120 pcs.
00455	Z16	Ø9x16	white 2 pcs.

3800222593444* / 3800222590467* / 3800222593451*** / 3800222591105****

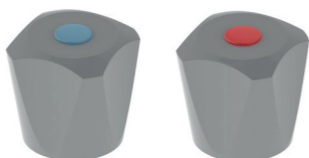
00441* / 00450**
HANDLE "C 200"



Article №	Z	Color	
00441	Z20	Ø8x20	galvanized 60 pcs.
00450	Z20	Ø8x20	galvanized 2 pcs.

3800222593475* / 3800222590009**

00206* / 01120 / 00205*** / 01121******
HANDLE "C 200"



Article №	Z	Color	
00206	Z20	Ø8x20	gray 120 pcs.
01120	Z20	Ø8x20	gray 2 pcs.
00205	Z16	Ø9x16	gray 120 pcs.
01121	Z16	Ø9x16	gray 2 pcs.

3800222593468* / 3800222590474** / 3800222591983*** / 3800222590689****

00397* / 00463 / 00391*** / 01122******
HANDLE "RECTANGULAR"



Article №	Z	Color	
00397	Z20	Ø8x20	white 120 pcs.
00463	Z20	Ø8x20	white 2 pcs.
00391	Z16	Ø9x16	white 120 pcs.
01122	Z16	Ø9x16	white 2 pcs.

3800222593482* / 3800222590481** / 3800222591129*** / 3800222590696****

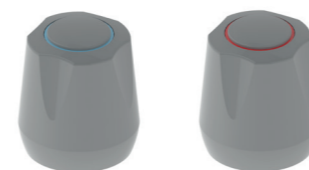
00388* / 00465 / 00392*****
HANDLE "RECTANGULAR"



Article №	Z	Color	
00388	Z20	Ø8x20	gray 120 pcs.
00465	Z20	Ø8x20	gray 2 pcs.
00392	Z16	Ø9x16	gray 120 pcs.

3800222591976* / 3800222590498** / 3800222591136***

00199* / 00446 / 01027*** / 01182******
HANDLE "ISKAR"



Article №	Z	Color	
00199	Z20	Ø8x20	gray 48 pcs.
00446	Z20	Ø8x20	gray 2 pcs.
01027	Z20	Ø8x20	gray 48 pcs.
01182	Z20	Ø8x20	gray 2 pcs.

3800222593512* / 3800222590054** / 3800222590511*** / 3800222590122****

00200* / 00445**
HANDLE "MARTY"



Article №	Z	Color	
00200	Z20	Ø8x20	transparent 48 pcs.
00445	Z20	Ø8x20	transparent 2 pcs.

3800222590047* / 3800222590078**

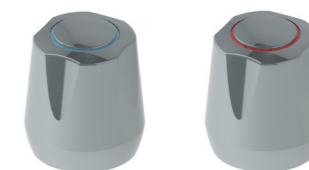
00215* / 00448 / 00214*** / 00432******
HANDLE "RECTANGULAR"



Article №	Z	Color	
00215	Z20	Ø8x20	galvanized 60 pcs.
00448	Z20	Ø8x20	galvanized 2 pcs.
00214	Z16	Ø9x16	galvanized 60 pcs.
00432	Z16	Ø9x16	galvanized 2 pcs.

3800222593499* / 3800222590023** / 3800222593505*** / 3800222590030****

00198* / 00447**
HANDLE "ISKAR"



Article №	Z	Color	
00198	Z20	Ø8x20	galvanized 48 pcs.
00447	Z20	Ø8x20	galvanized 2 pcs.

3800222593529* / 3800222590047**

00562
HANDLE FOR MIDDLE MIXING TAP



Article №	Z	Color	
00562	Z20	Ø8x20	galvanized 1 pcs.

3800222590603