

PS **PARSAN**
MAKİNA PARÇALARI SANAYİİ A.Ş.

 **GÜRİŞ**
~ Since 1958 ~





Parsan Makina Parçaları Sanayii A.Ş.

Parsan Steel Forging and Machining Company (PARSAN)- a GURIS GROUP Company- was founded in 1968 and started production in 1971, as a hot steel forging plant integrated with machining facilities, situated on a total land parcel of 91,123 m², of which 27,400 m² is covered space including die shops, forging shops, heat treatment shops, machining shops and quality testing labs.

70 % of its total production is for the automotive industry and include products such as rear axle shafts, brake camshafts, front axles, front axle assemblies, steering knuckles, tie rod arms, hub forgings, flange forgings and universal joint forgings for commercial and agricultural vehicles. The remaining products are manufactured for mining, defense and textile machinery.

PARSAN produces various types of forging components with different sizes, weighing between 1 kg - 400 kg by making efficient use of its modern technology and equipment such as heavy hammers and presses as well as heat treatment, quality testing and high technology machining equipment.

PARSAN has proven success in supplying good quality products with best available prices to the world markets, by means of the highly efficient and dynamic production technologies and particularly enjoys the advantages of cooperating with its sister company - ASIL CELIK which is the major high quality steel mill in Turkey for a secure and sustainable supply chain.

PARSAN has already proven the technological level and reliability it has reached, by supplying aerospace components as well.

80 % of the total production of PARSAN company is going to many countries such as Germany, The Republic of South Africa, Belgium, Russia, Spain, Hungary, Italy, Czech Republic, Austria, Norway, Netherlands and Egypt.

PARSAN is certified by international standards ISO/TS 16949:2009, TS EN ISO 9001:2008 and ISO 14001:2004 and totally 550 well educated and experienced employees are currently working in the company.

PARSAN believes that it has the adequate capabilities to continue growing its share in the world markets, empowered with the technological strength, flexibility and accumulated experience and thus looks forward to the future with great expectations..



FLANGED AXLE SHAFTS





FLANGED AXLE SHAFTS



7 kg



15 kg



15 kg



25 kg



DRIVE SHAFTS, HUB FORGINGS, TRANSMISSION SHAFT FORGINGS



7 kg



17 kg



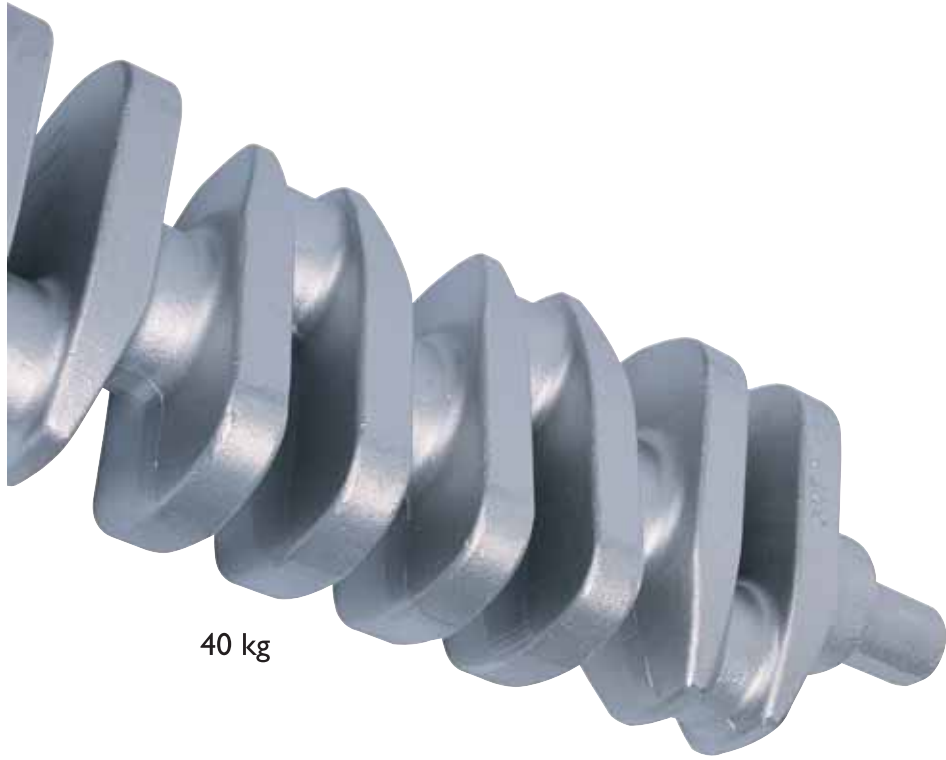
19 kg



12 kg



**CRANK SHAFT FORGINGS, DRILLING BIT FORGINGS,
CONNECTING ROD FORGINGS**



40 kg



18 kg



62-2 kg



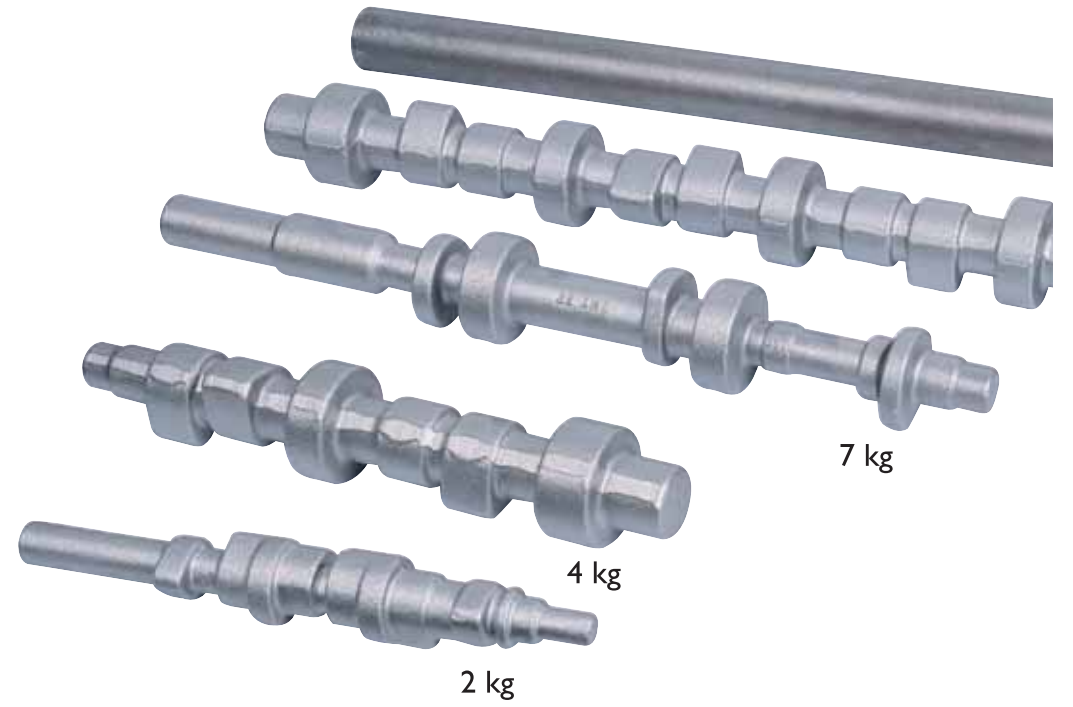
1 kg

2 kg

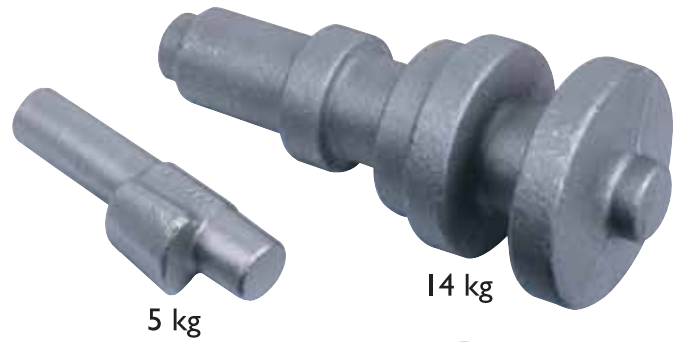
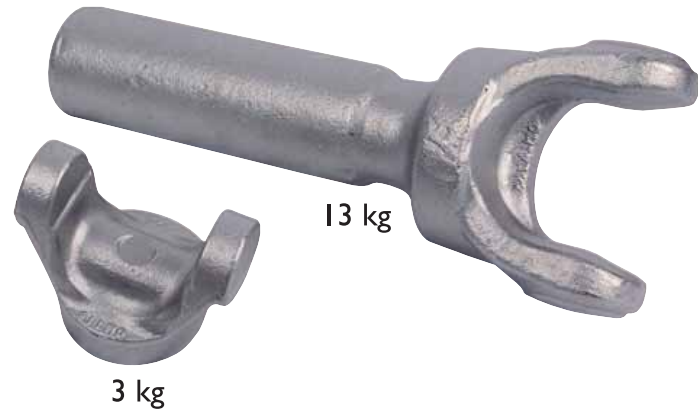
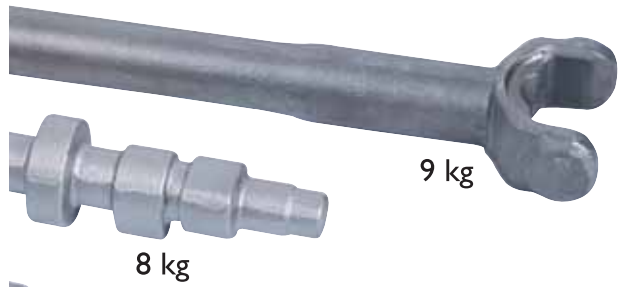
3 kg

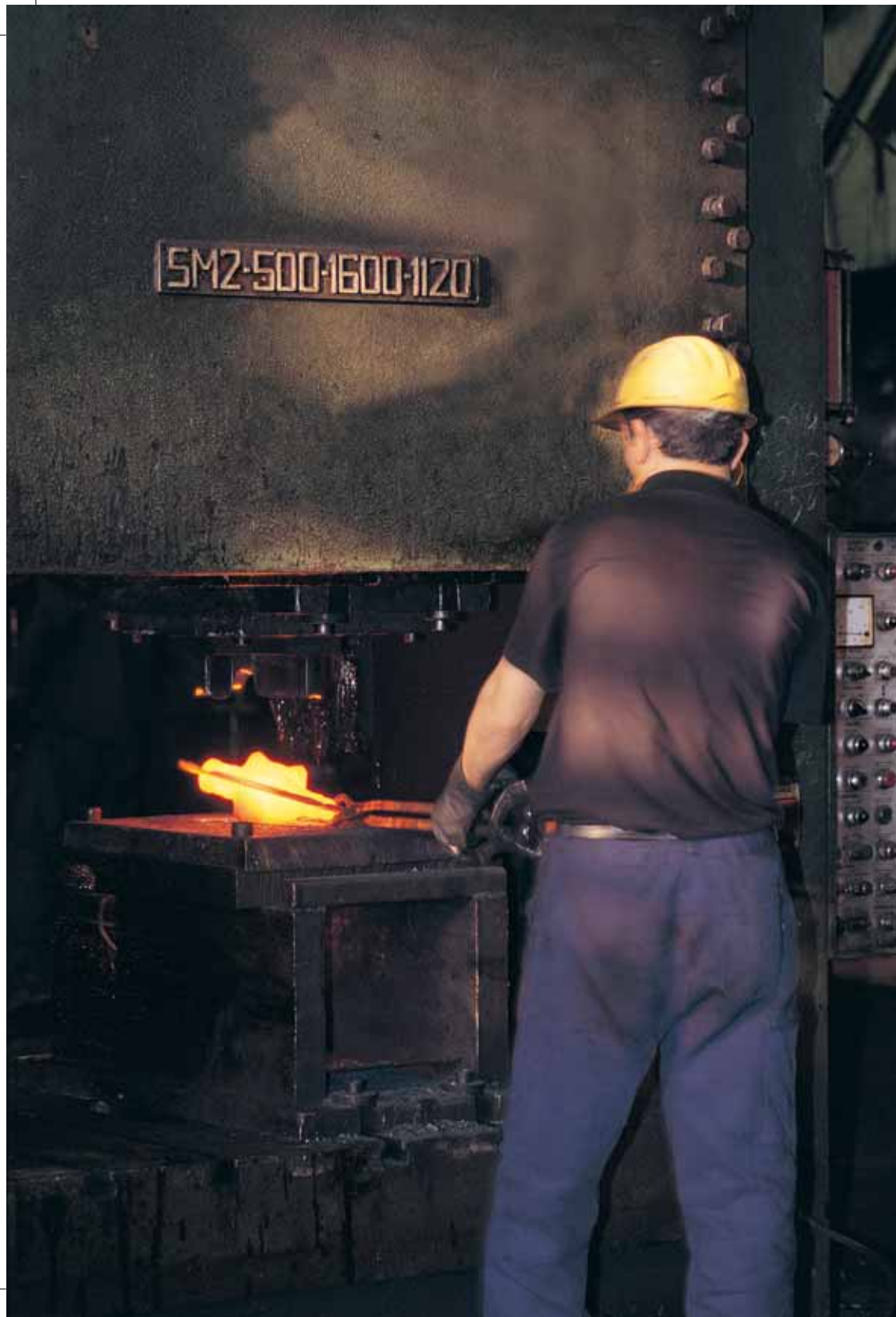
4 kg

5 kg



VARIOUS CAM SHAFT AND UNIVERSAL JOINT FORGINGS





46 kg

**TORSION BARS, HOOKS, SUSPENSION ARM ASSEMBLIES,
TRACK SHOE FORGINGS**



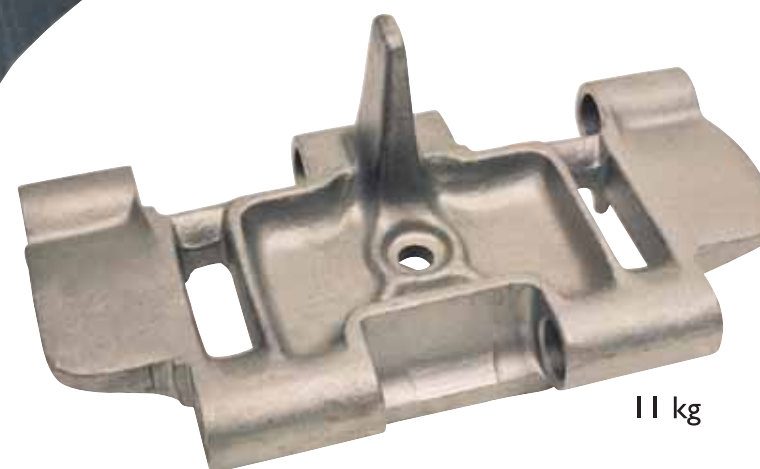
14 kg



17 kg



14 kg



11 kg

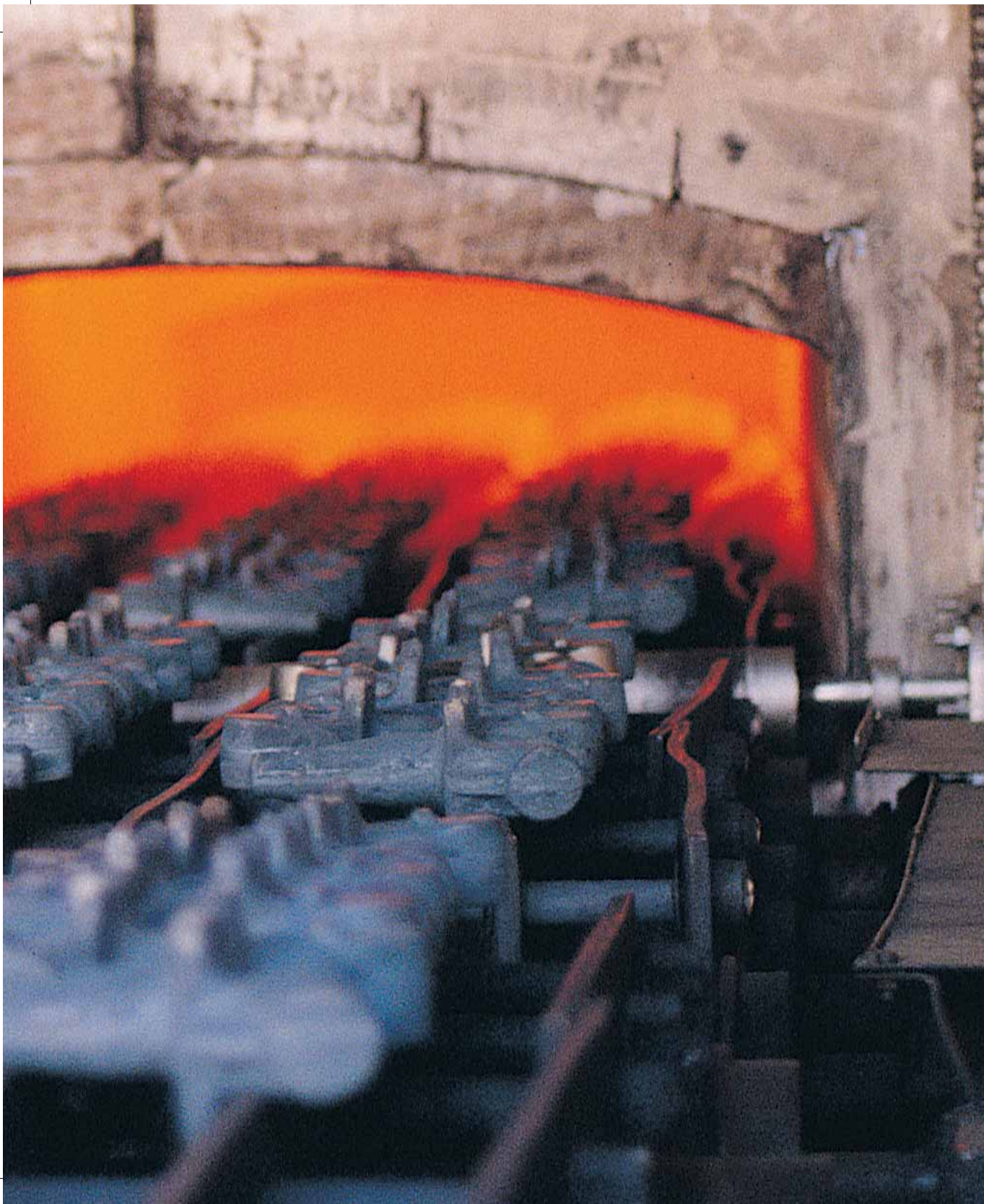


FOUR POINT LINK FORGINGS



65 kg





All physical, chemical and metallurgical tests are carried out by experienced personnel and updated equipment strictly according to customers' and ISO 9001:2008 Quality System requirements.



AIRCRAFT FORGINGS, VARIOUS BLANK FORGINGS



25 kg



78 kg



77 kg



83 kg



96 kg



39 kg



68 kg



40 kg



FRONT AXLES AND FRONT AXLE ASSEMBLIES



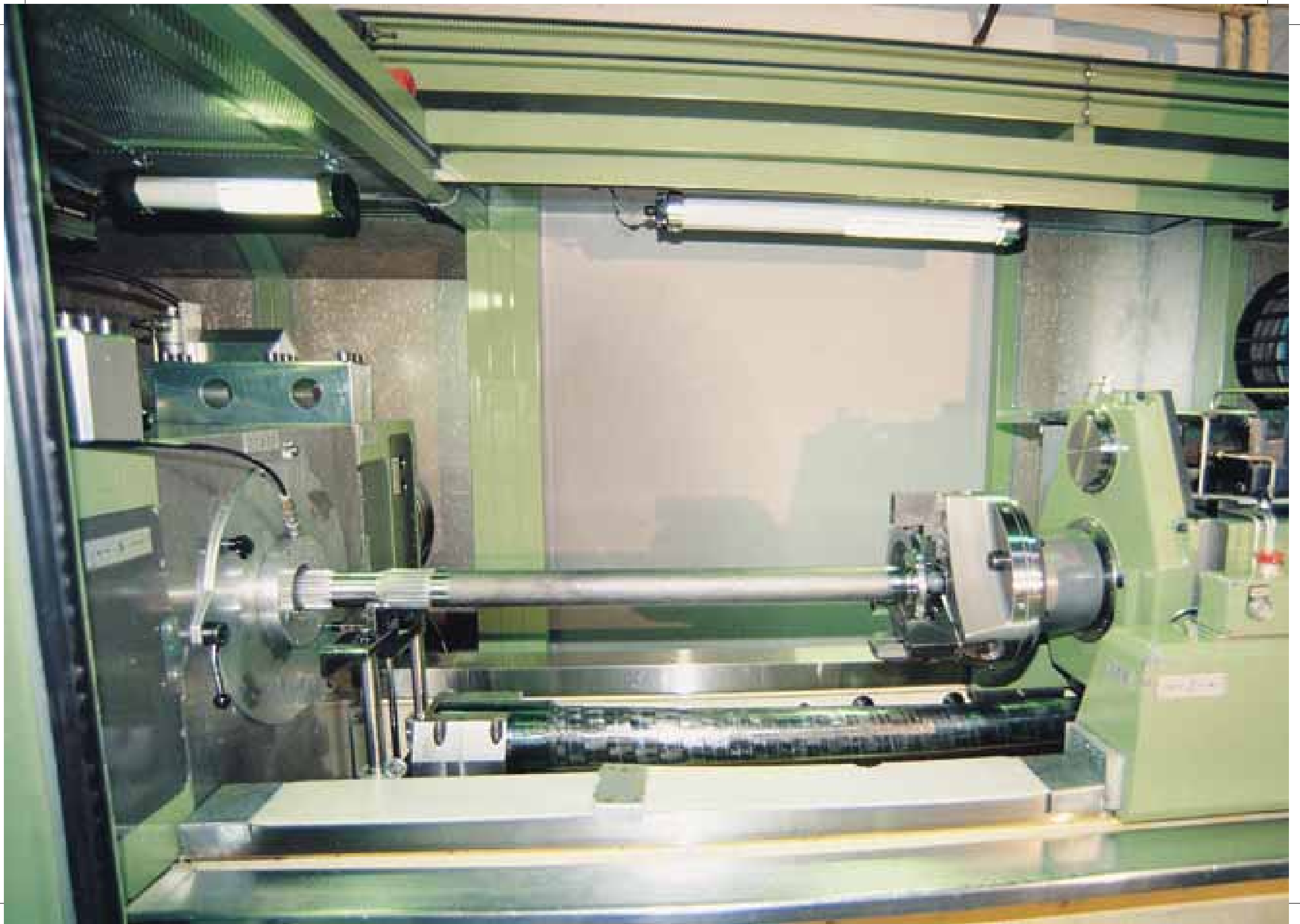
143 kg



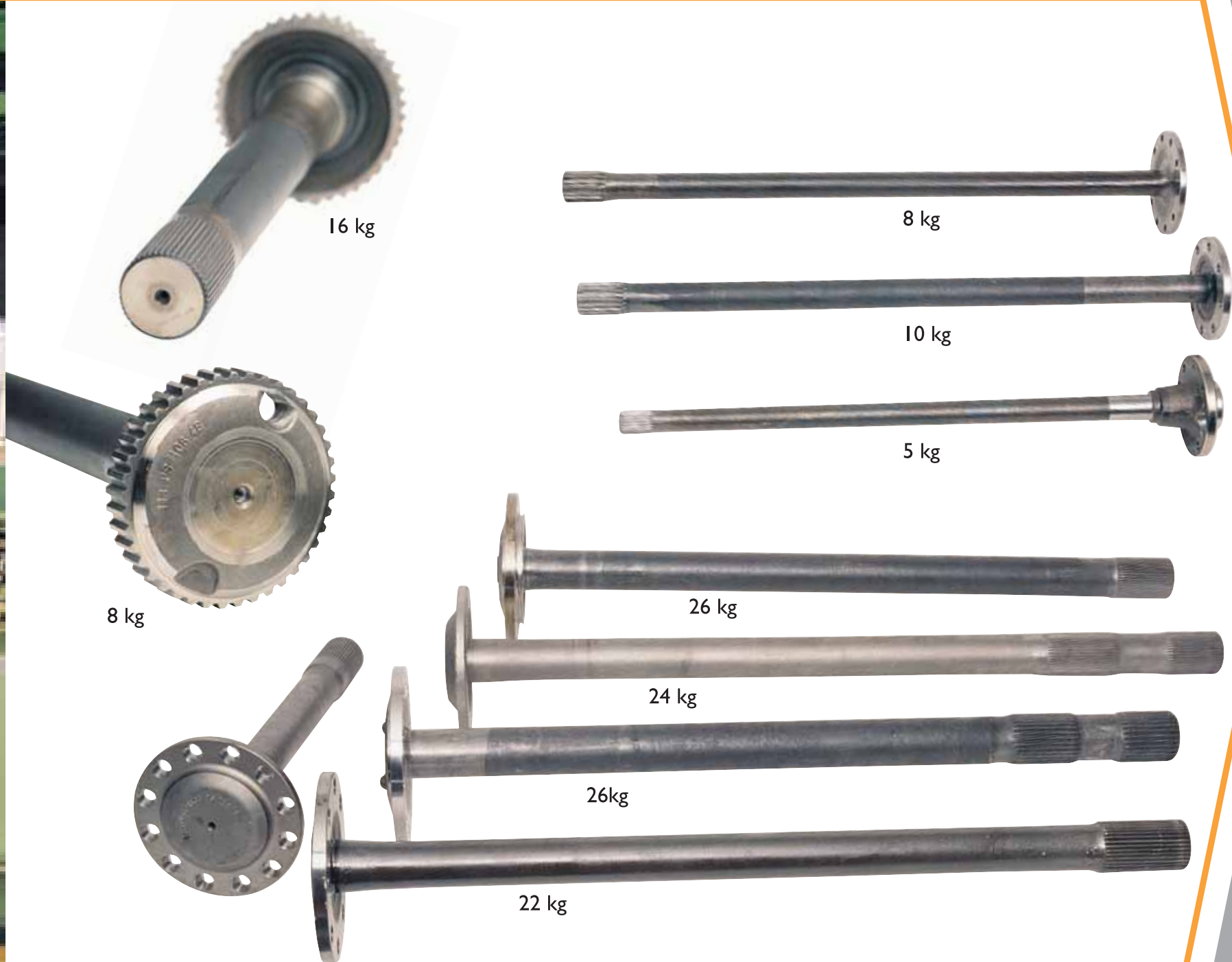
150 kg



45 kg



FLANGED AXLE SHAFTS FOR TRUCKS AND BUSES





FLANGED AXLE SHAFTS FOR AGRICULTURAL TRACTORS



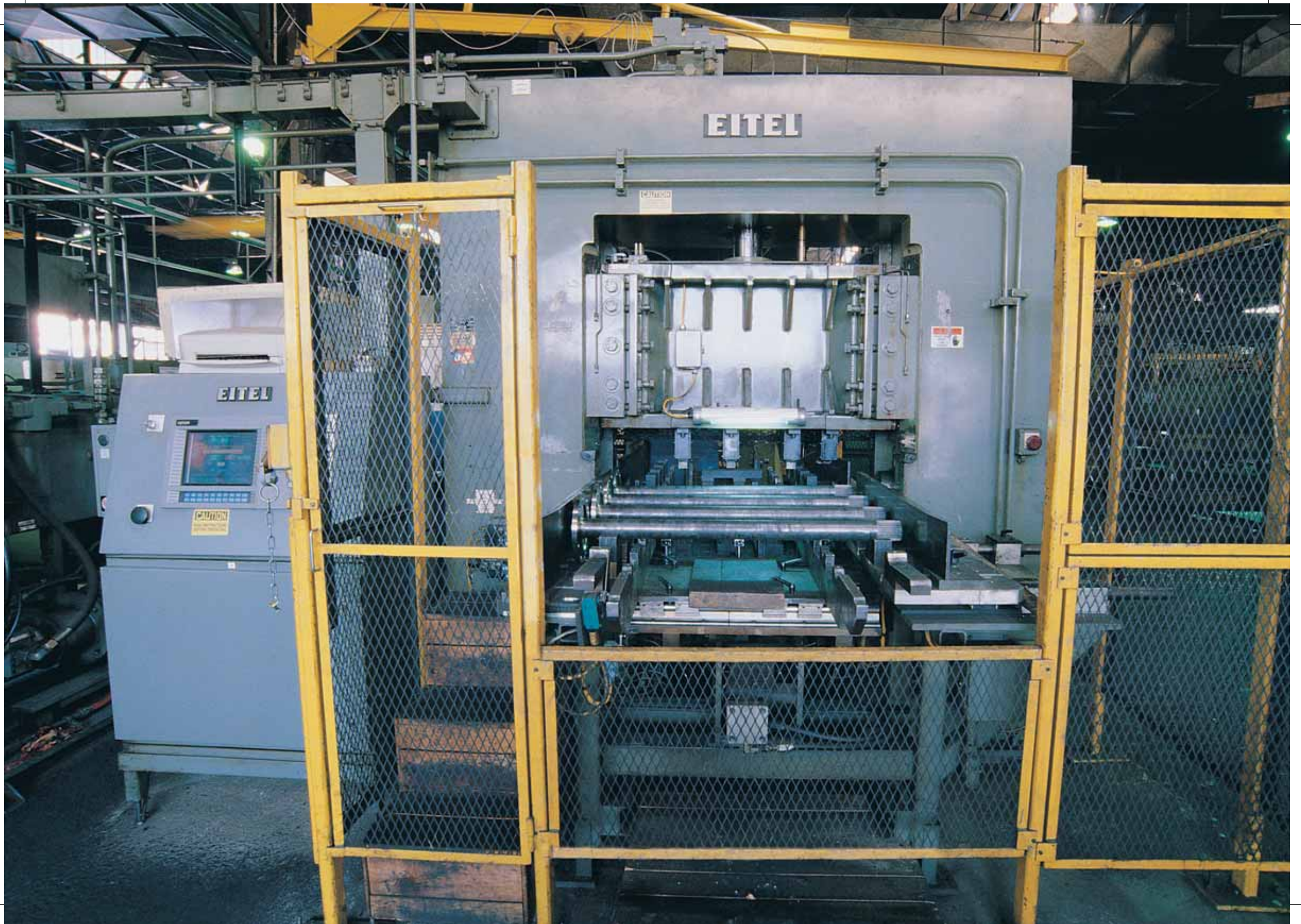
35 kg



36 kg



34 kg



BRAKE CAM SHAFTS FOR TRUCKS



12 kg



4 kg



7 kg



12 kg



4 kg



7 kg



FRONT AXLES FOR LOW FLOOR BUSES



143 kg

OKUMA



MX-60HB



VARIORUS STEERING KNUCKLES FOR TRUCKS AND OTHER COMMERCIAL VEHICLES



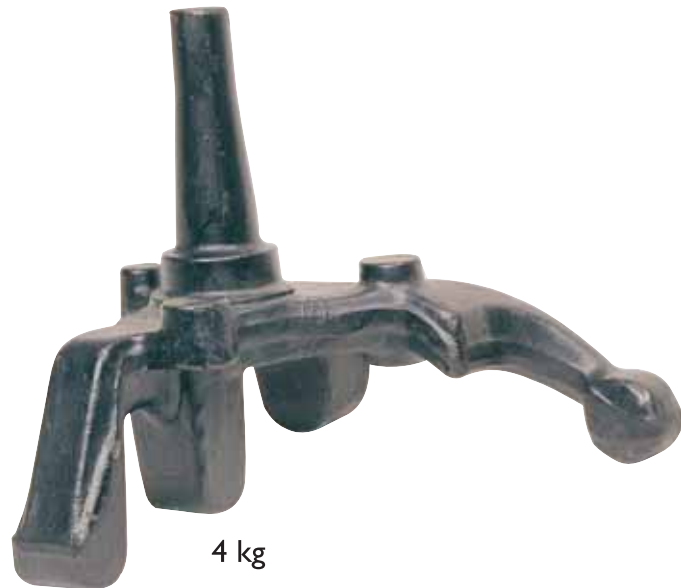
15 kg



34 kg



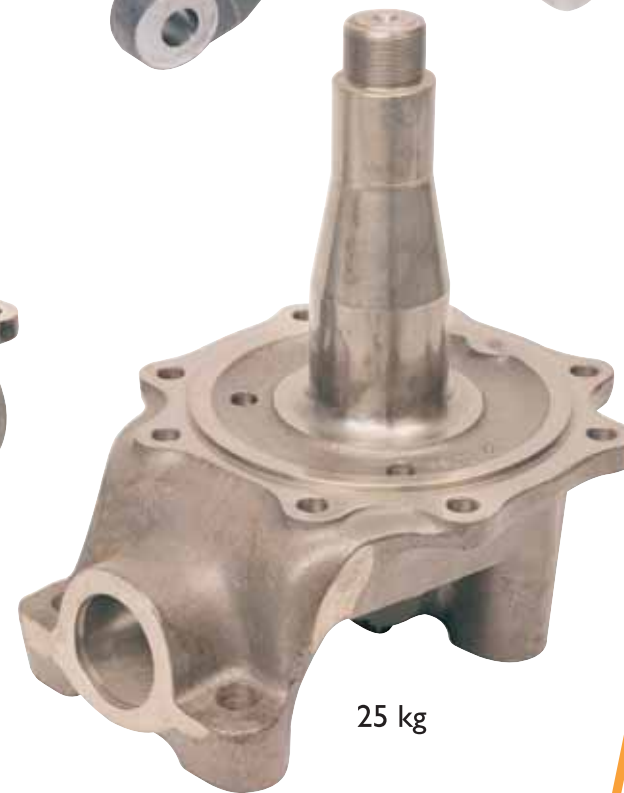
23 kg



4 kg



6 kg



25 kg

FRONT AXLE ASSEMBLIES



210 kg

Your Reliable Solution Partner for

- **Steel Manufacturing**
- **Forging**
- **Machining**
- **Assemblies**





Kemiklidere Mevkii Güzelyalı 34903 Pendik - İstanbul / TURKEY

Phone: +90 216 493 12 66 Fax: +90 216 493 12 80

www.parsan.com

parsan@parsan.com

E.07.11