

EUROPEAN PRODUCT CATALOGUE 2021

PHILIPS

WE MAKE PRODUCTS THAT MAKE A DIFFERENCE®



MADE TO CONNECT

PROFESSIONAL TRUCKS & TRAILERS CONNECTORS

Phillips Europe

We are part of Phillips Industries, US based high-quality automotive systems manufacturer, with operations in US, Canada, Mexico, Europe and Asia.



90 %

Over 90% of our components are made in-house. All materials used in our production are of proven quality and certified. This guarantees a constant quality and long life confirmed by 2-year warranty.



Certified materials

All materials used in our production are of proven quality and certified.

This guarantees a constant quality and a long life.



High Quality

We are ISO 9001/2015; 14001/2015 and IATF16949:2016 certified.

Extensive quality test are done by our own Phillips testing laboratories and external partners.

High quality parts result in higher lifespan of the product!



2-year warranty

We offer 2 years of guarantee for our products to confirm their reliability.

Table of Contents

COILS

COLOR BY FUNCTION	6
QS6+	10
QS6	12
STANDARD SOLUTIONS	14

PLUGS

COLOR BY FUNCTION	18
QS6+	20
STANDARD SOLUTIONS	22

SOCKETS

COLOR BY FUNCTION	24
STANDARD SOLUTIONS	26

12V ASSEMBLIES

STANDARD SOLUTIONS	28
--------------------	----

PNEUMATICS

LOW PRESSURE TUBES	32
AIR BRAKE COILS	34

OTHER ASSEMBLIES

ANDERSON POWER PRODUCTS	48
POWER SUPPLY AND START-UP	49
ACCESORIES	51

WE MAKE PRODUCTS THAT MAKE A DIFFERENCE®



Coiled Air Lines



QS6+ 15Pin Power Coil



QS6+ EBS Power Coil



QS6+ Adapter Power Coil



STA-DRY® 15Pin Power Socket



STA-DRY® EBS Power Socket



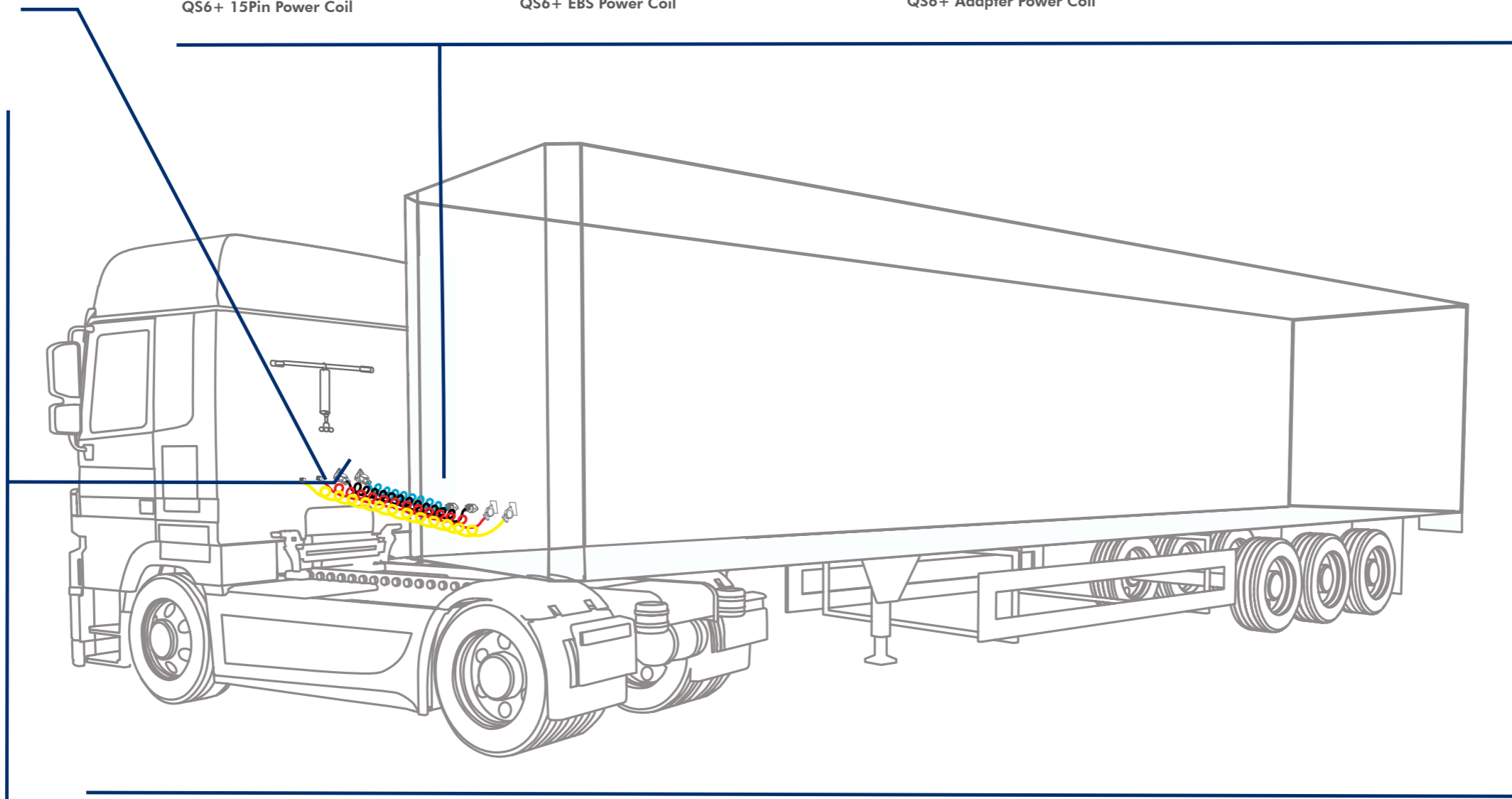
15Pin Power Socket



EBS Power Socket



Adapter Box



15Pin Power LECTRA COIL™ Coil



EBS DURACOIL™ Coil



PERMACOIL™ Adapter Coil



Single Coil Adapter Coil



QS6 15Pin Power Coil



QS6 EBS Power Coil



QS6 Adapter Power Coil

COLOR-BY-FUNCTION™ ELECTRICAL ASSEMBLIES

CBF LECTRACOIL™ 15Pin Power Coil

Jacket and plug color-coded for easy identification from a greater distance

Jacketing designed to perform in temperatures of -40°C to 125°C



O-ring seal prohibits water from entering the plug when connected to the socket

360° sealed cable guard eliminates moisture and corrosion

Excellent recoil memory, chemical and abrasion resistance in extreme conditions

In an industry of black connectors and cables, Phillips makes it safe and easy to identify cable, plug and socket functions from a distance. This helps to eliminate confusion for the driver, increases safety and decreases repair and replacement time.

- Excellent recoil memory, abrasion, chemical and corrosion resistance
- Durable jacketing flexible from -40°C to 125°C
- Jacket and plugs are color-coded for easy function identification from a distance



CBF Coils



CBF LECTRACOIL™ 15Pin Power Coil

Part No.	683-7052	683-7072
Maximum Extension Length	3,5 m	4,5 m
FLRY	12x1,5 mm ² + 3x2,5 mm ²	
Color	Green	



CBF DURACOIL™ EBS Coil

Part No.	662-5052	662-5072
Maximum Extension Length	3,5 m	4,5 m
FLRY	5x1,5 mm ² + 2x4,0 mm ²	
Color	Dark Blue	



CBF DURACOIL™ ABS Coil

Part No.	661-3052	661-3072
Maximum Extension Length	3,5 m	4,5 m
FLRY	3x1,5 mm ² + 2x4,0 mm ²	
Color	Light Blue	

COLOR-BY-FUNCTION™ ELECTRICAL ASSEMBLIES

- The WEATHER-TITE™ seal protects against corrosion and blocks contaminants from entering the electrical system
- Durable and non-corrosive housing
- 360° sealed cable guard eliminates moisture and corrosion
- Jacket is color-coded for easy function identification from a distance
- Excellent recoil memory, chemical and abrasion resistance in extreme conditions
- Jacketing designed to perform in temperatures of -40°C to 125°C



CBF PERMACOIL™ 7N & 7S Power Coils with WEATHER-TITE™ Seal

PERMACOIL™ 7N Coil with WEATHER-TITE™ Seal - OEM		
Part No.	636-5256	636-5276
Maximum Extension Length	3.5 m	4.5 m
FLRY	6x1,5 mm ² + 1x2,5 mm ²	
Color	Black	

PERMACOIL™ 7N Coil with WEATHER-TITE™ Seal		
Part No.	636-5656	636-5676
Maximum Extension Length	3.5 m	4.5 m
FLRY	6x1,0 mm ² + 1x1,5 mm ²	
Color	Black	

PERMACOIL™ 7S Coil with WEATHER-TITE™ Seal - OEM		
Part No.	647-5256	647-5276
Maximum Extension Length	3.5 m	4.5 m
FLRY	6x1,5 mm ² + 1x2,5 mm ²	
Color	Yellow	

PERMACOIL™ 7S Coil with WEATHER-TITE™ Seal		
Part No.	647-5656	647-5676
Maximum Extension Length	3.5 m	4.5 m
FLRY	6x1,0 mm ² + 1x1,5 mm ²	
Color	Yellow	

In an industry of black connectors and cables, Phillips makes it safe and easy to identify cable, plug and socket functions from a distance. This helps to eliminate confusion for the driver, increases safety and decreases repair and replacement time.

- The WEATHER-TITE™ seal protects against corrosion and blocks contaminants from entering the electrical system
- Jacketing designed to perform in temperatures of -40°C to 125°C
- Great recoil memory, abrasion, chemical and corrosion resistance
- Jacket and plugs are color-coded for easy function identification from a distance

DESIGNED NOT TO TANGLE!



CBF Adapter Coils with WEATHER-TITE™ Seal



PERMACOIL™ Adapter Coil 15Pin to 7N & 7S with WEATHER-TITE™ Seal		
Part No.	686-8056	686-8076
Maximum Extension Length	3,5 m	4,5 m
FLRY	2x (6x1 mm ² + 1x1,5 mm ²)	
Color	Yellow / Black	

"Y" mold to avoid tangling

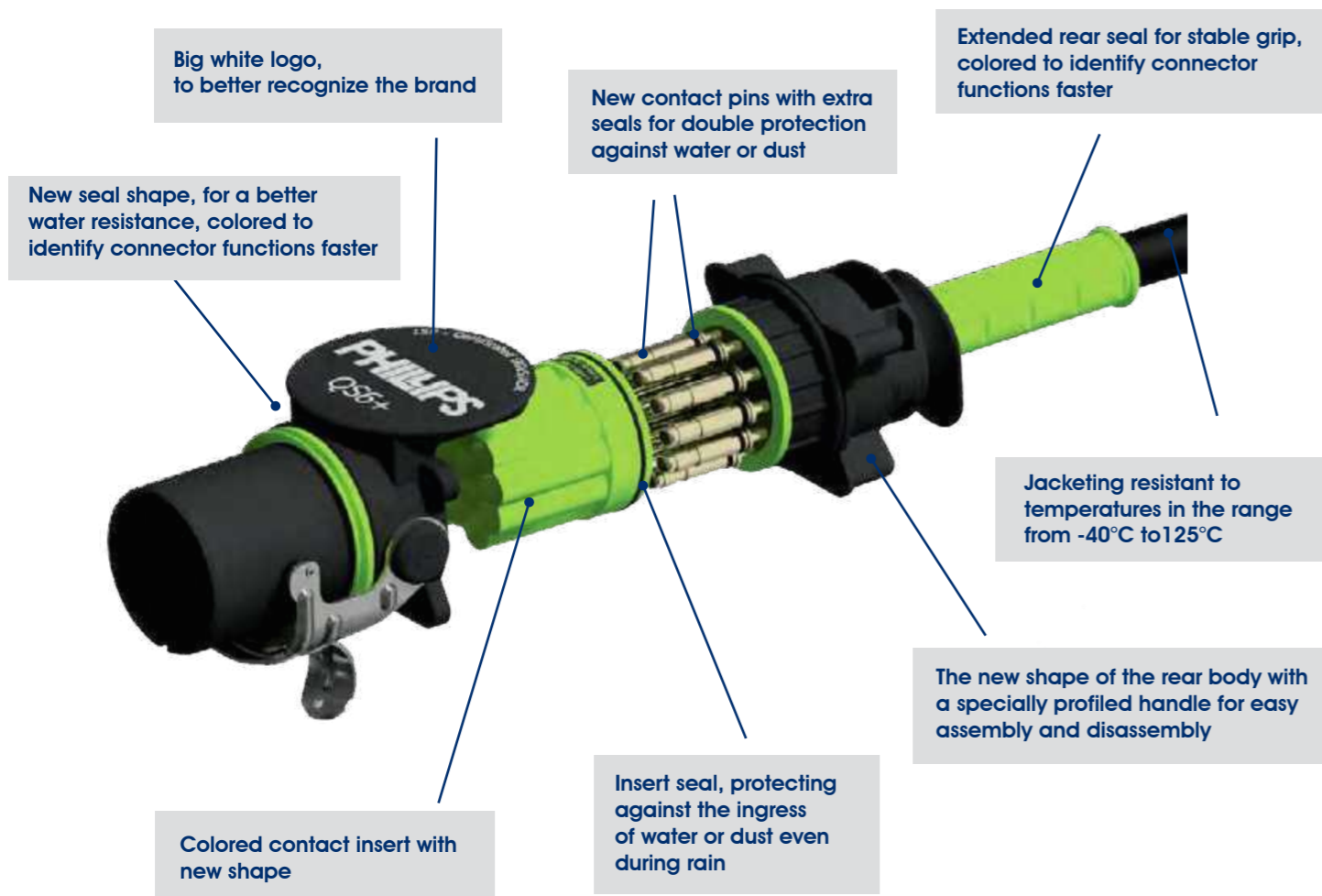


Single Coil Adapter Coil 15Pin to 7N & 7S with WEATHER-TITE™ Seal		
Part No.	688-8456	688-8476
Maximum Extension Length	3,5 m	4,5 m
FLRY	15-Pin to 7N (6x1 mm ² + 1x1,5 mm ²) 15-Pin to 7S (4x1,5 mm ² + 3x2,5 mm ²)	
Color	Green	

Single coil to avoid tangling

QS6+ ELECTRICAL ASSEMBLIES

QS6+ 15Pin Power Coil



QS6+ and QS6 are designed and produced in Europe and fulfill the latest and most demanding technical norms and highest standards. Those innovative and advanced products are based on patented solutions and designed to combine ergonomic usability, durability, functionality and modern look.

- Made using extremely durable materials, resistant to mechanical damage
- Coating resistant to chemicals and abrasion
- Coating resistant to temperatures in the range of - 40 ° C to 125 °
- Excellent shape memory makes the spiral return to its original shape and size even after reaching the maximum stretch length
- High tightness and resistance to moisture and dust, thanks to using up 4 seals and extra seals on every single pin
- The new shape of the rear body with a specially profiled handle for easy assembly and disassembly
- Extended rear seal for stable grip
- Colors to help you identify connector functions faster



QS6+ Coils



QS6+ 15Pin Power Coil

Part No.	D011-41-030-1002	D011-41-040-1002	D011-41-045-1002
Maximum Extension Length	3 m	4 m	4,5 m
FLRY	12x1,5 mm ² + 3x2,5 mm ²		
Color	Black / Green		



QS6+ EBS Coil

Part No.	D101-41-030-1002	D101-41-040-1002	D101-41-045-1002
Maximum Extension Length	3 m	4 m	4,5 m
FLRY	5x1,5 mm ² + 2x4,0 mm ²		
Color	Black / Dark Blue		



QS6+ Adapter Coil

Part No.	C012-412030-1002	C012-412040-1002	C012-412045-1002
Maximum Extension Length	3 m	4 m	4,5 m
FLRY	12x1,5 mm ² + 2x2,5 mm ²		
Color	Black / Yellow		

QS6 ELECTRICAL ASSEMBLIES

QS6+ and QS6 are designed and produced in Europe and fulfill the latest and most demanding technical norms and highest standards. Those innovative and advanced products are based on patented solutions and designed to combine ergonomic usability, durability, functionality and modern look.

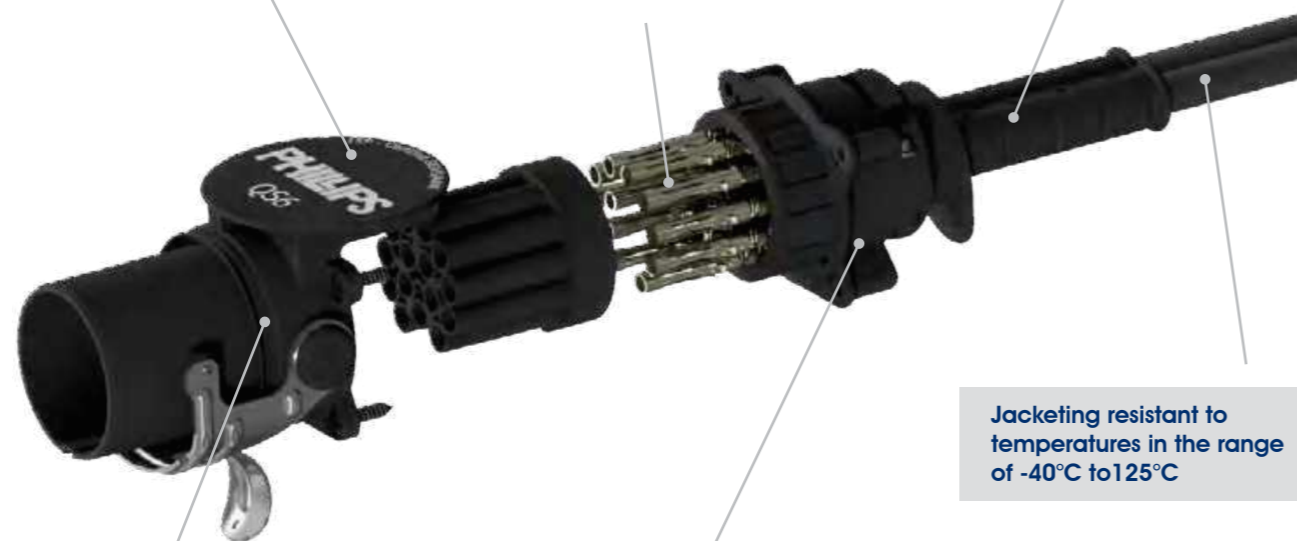


QS6 15Pin Power Coil

Big white logo, to better recognize the brand

New contact pins, much lighter and manufactured environmentally friendly

Extended rear seal for stable grip



Jacketing resistant to temperatures in the range of -40°C to 125°C

New seal shape, for a better water resistance

The new shape of the rear body with a specially profiled handle for easy assembly and disassembly

- Made using extremely durable materials, resistant to mechanical damage
- Coating resistant to chemicals and abrasion
- Coating resistant to temperatures in the range of - 40 ° C to 125 °
- Excellent shape memory makes the spiral return to its original shape and size even after reaching the maximum stretch length
- High tightness and resistance to moisture and dust, thanks to using up 4 seals
- The new shape of the rear body with a specially profiled handle for easy assembly and disassembly
- Extended rear seal for stable grip



QS6 Coils



QS6 15Pin Power Coil

Part No.	D011-41-030-1001	D011-41-040-1001	D011-41-045-1001
Maximum Extension Length	3 m	4 m	4,5 m
FLRY	12x1,5 mm ² + 3x2,5 mm ²		
Color	Black		



QS6 EBS Coil

Part No.	D101-41-030-1001	D101-41-040-1001	D101-41-045-1001
Maximum Extension Length	3 m	4 m	4,5 m
FLRY	5x1,5 mm ² + 2x4,0 mm ²		
Color	Black		



QS6 Adapter Coil

Part No.	C012-412030-1001	C012-412040-1001	C012-412045-1001
Maximum Extension Length	3 m	4 m	4,5 m
FLRY	12x1,5 mm ² + 2x2,5 mm ²		
Color	Black		

STANDARD ELECTRICAL ASSEMBLIES

- Great recoil memory, durable and flexible jacketing
- Permanent connection of the metal clip by using the most modern connection method – ultrasonic welding
- Solid connection of plug and cable extending product life
- Seal prevents water from entering the plug when connected to the socket
- Back seal prevents dirt and moisture from entering
- Permanent plug lock made of stainless steel
- Lighter pins makes cable more environmentally friendly during production
- High temperature resistance up to +85°C

Standard Solutions 15Pin, EBS, ABS, 3Pin Coils



15Pin Coil

Part No.	D011-01-030-1003	D011-01-035-1003	D011-01-040-1003
Maximum Extension Length	3 m	3,5 m	4 m
FLRY	12x1,5 mm ² + 3x2,5 mm ²		
Color	Black		



EBS Coil

Part No.	D101-01-030-1003	D101-01-035-1003	D101-01-040-1003
Maximum Extension Length	3 m	3,5 m	4 m
FLRY	5x1,5 mm ² + 2x4,0 mm ²		
Color	Black		



ABS Coil

Part No.	D061-01-030-1003	D061-01-035-1003	D061-01-040-1003
Maximum Extension Length	3 m	3,5 m	4 m
FLRY	3x1,5 mm ² + 2x4,0 mm ²		
Color	Black		



3Pin Coil

Part No.	D002-01-030-1101
Maximum Extension Length	3 m
FLRY	3x6,0 mm ²
Color	Black

Our standard connection systems reflect our long production experience globally and in Europe. Designed for durability, our solid standard products have proven to be a reliable and smart choice for many of our customers.

Standard Solutions 7Pin Coils



7N Pin Coil

Part No.	D212-01-030-1001	D212-01-035-1001	D212-01-040-1001
Maximum Extension Length	3 m	3,5 m	4 m
FLRY	6x1,0 mm ² + 1x1,5 mm ²		
Color	Black		



7S Pin Coil

Part No.	D262-01-030-1001	D262-01-035-1001	D262-01-040-1001
Maximum Extension Length	3 m	3,5 m	4 m
FLRY	6x1,0 mm ² + 1x1,5 mm ²		
Color	Black		



7N Pin Coil

Part No.	D211-01-030-1001	D211-01-035-1001	D211-01-040-1001
Maximum Extension Length	3 m	3,5 m	4 m
FLRY	6x1,0 mm ² + 1x1,5 mm ²		
Color	Black		



7S Pin Coil

Part No.	D261-01-030-1001	D261-01-035-1001	D261-01-040-1001
Maximum Extension Length	3 m	3,5 m	4 m
FLRY	6x1,0 mm ² + 1x1,5 mm ²		
Color	Black		



7N Pin Coil

Part No.	D213-01-030-1102	D213-01-035-1101	D213-01-040-1106
Maximum Extension Length	3 m	3,5 m	4 m
FLRY	6x1,0 mm ² + 1x1,5 mm ²		
Color	Black		



7S Pin Coil

Part No.	D263-01-030-1102	D263-01-035-1101	D263-01-040-1106
Maximum Extension Length	3 m	3,5 m	4 m
FLRY	6x1,0 mm ² + 1x1,5 mm ²		
Color	Black		

STANDARD ELECTRICAL ASSEMBLIES

Our standard connection systems reflect our long production experience globally and in Europe. Designed for durability, our solid standard products have proven to be a reliable and smart choice for many of our customers.

Standard Solutions Adapter Coils



Adapter Coil 15 Pin/24V

Part No.	C002-012030-1003	C002-012035-1003	C002-012040-1003
Maximum Extension Length	3 m	3,5 m	4 m
FLRY	12x1,0 mm ² +2x1,5 mm ²		



Adapter Coil 15 Pin/24V

Part No.	C001-012030-1003	C001-012035-1003	C001-012040-1003
Maximum Extension Length	3 m	3,5 m	4 m
FLRY	12x1,0 mm ² +2x1,5 mm ²		



Adapter Coil 15Pin/24V

Part No.	C003-012030-1002	C003-012035-1002	C003-012040-1002
Maximum Extension Length	3 m	3,5 m	4 m
FLRY	12x1,0 mm ² +2x1,5 mm ²		

Plug 15/24V			Plug 7/24V - Type N (black)			Plug 7/24V - Type S (white)		
No.	color	scheme	color	No.	color	No.	color	No.
1	yellow	[Diagram showing connections]	white	1	white	1	white	1
2	green		black	2	black	2	black	2
3	blue		yellow	3	yellow	3	yellow	3
4	white		red	4	red	4	red	4
5	black		green	5	green	5	green	5
6	brown		brown	6	brown	6	brown	6
7	red		blue	7	blue	7	blue	7
8	pink	[Diagram showing connections]	white	1	white	1	white	1
9	orange		black	2	black	2	black	2
10	grey		yellow	3	yellow	3	yellow	3
11	black/white		red	4	red	4	red	4
12	blue/white		green	5	green	5	green	5
13	red/white		brown	6	brown	6	brown	6
14	green/white		blue	7	blue	7	blue	7
15	brown/white							

Standard Solutions Adapter Coils



Adapter Coil 7Pin/12V - 7Pin/24V

Part No.	C003-010030-1101
Maximum Extension Length	3 m
FLRY	6x1,0 mm ² +1x1,5 mm ²

Plug 7/12V - Type N			Plug 7/24V - Type N (black)		
No.	color	scheme	color	No.	color
1	yellow	[Diagram showing connections]	white	1	white
2	blue		black	2	black
3	white		yellow	3	yellow
4	green		red	4	red
5	brown		green	5	green
6	red		brown	6	brown
7	black		blue	7	blue



Adapter Coil 13Pin/7Pin 24V

Part No.	C001-010015-1001
Maximum Extension Length	1,5 m

Standard Solutions Adapter Boxes



Adapter Box 15Pin/24V

Part No.	C001-002000-1001
----------	------------------



Adapter Box 15Pin/24V

Part No.	C001-001000-1001
----------	------------------

COLOR-BY-FUNCTION™ PLUGS

STA-DRY® 15Pin Power Plug

Waterproof O-ring seal protects against moisture and corrosion

Cable seal inside the rubber locks out moisture and corrosion



Durable, non-corrosive housing can withstand the toughest conditions

Brass pins with crown spring and thread sealer securely connects wires to pins

Stainless steel plug lock provides a corrosion-resistant, long-life connection

In an industry of black connectors and cables, Phillips makes it safe and easy to identify cable, plug and socket functions from a distance. This helps to eliminate confusion for the driver, increases safety and decreases repair and replacement time.

- Insert labeled with wire colors for quick and easy installation
- 360° compression ring secures plug to cable and eliminates moisture and corrosion
- WEATHER-TITE™ plugs seal out water to protect against corrosion for 7 Pin plugs
- Floating brass pins to align with irregular socket pins for 7 Pin plugs



CBF 15Pin, EBS, ABS, 7Pin Plugs



STA-DRY® 15Pin Power PERMAPLUG™

Part No.	716-7391
Color	Green



STA-DRY® EBS Power PERMAPLUG™

Part No.	716-5371
Color	Dark Blue



STA-DRY® ABS Power PERMAPLUG™

Part No.	716-5351
Color	Light Blue



STA-DRY® 7N PERMAPLUG™ with WEATHER-TITE™ Seal

Part No.	716-3971
Color	Black



STA-DRY® 7S PERMAPLUG™ with WEATHER-TITE™ Seal

Part No.	716-4971
Color	Yellow

QS6+ PLUGS

QS6+ Plugs



QS6+ and QS6 are designed and produced in Europe and fulfill the latest and most demanding technical norms and highest standards. Those innovative and advanced products are based on patented solutions and designed to combine ergonomic usability, durability, functionality and modern look.

- Made using extremely durable materials, resistant to mechanical damage
- Ultrasonic welded caps, better holding metal elements
- High tightness and resistance to moisture and dust, thanks to using up 4 seals and extra seals on every single pin
- Colors to help you identify connector functions faster



QS6+ Plugs



QS6+ 15Pin Power Plug

Part No.	A011-2-2-01-5001
Color	Black / Green



QS6+ EBS Plug

Part No.	A101-2-2-01-3001
Color	Black / Dark Blue



QS6+ Adapter Plug

Part No.	A011-2-2-01-6001
Color	Black / Yellow

STANDARD SOLUTIONS PLUGS

- Permanent connection of the metal clip by using the most modern connection method – ultrasonic welding
- Solid connection of plug and cable extending product life
- Seal prevents water from entering the plug when connected to the socket
- Back seal prevents dirt and moisture from entering
- Permanent plug lock made of stainless steel

Standard Solutions 15Pin, EBS, ABS Plugs



15Pin Plug

Part No.	A011-2-2-01-1001	A011-3-2-01-1001
Pins Type	Crimped contacts	Pins with screw M3



EBS Plug

Part No.	A101-2-2-01-1001	A101-3-2-01-1002
Pins Type	Crimped contacts	Pins with screw M3



ABS Plug

Part No.	A061-2-2-01-1001	A061-3-2-01-1001
Pins Type	Crimped contacts	Pins with screw M3

Our standard connection systems reflect our long production experience globally and in Europe. Designed for durability, our solid standard products have proven to be a reliable and smart choice for many of our customers.

Standard Solutions 7Pin, 3Pin, EBS Multivolt



7N Pin Plug

Part No.	A201-3-2-01-1001
Pins Type	Pins with screw M3



7S Pin Plug

Part No.	A251-3-2-01-2001
Pins Type	Pins with screw M3



7N Pin Plug

Part No.	A203-3-2-00-1101
Pins Type	Pins with screw M3



7S Pin Plug

Part No.	A253-3-2-00-2101
Pins Type	Pins with screw M3



3Pin Plug

Part No.	A451-3-1-01-1001
Pins Type	Pins with screw M3



EBS Multivolt 12/24V Plug

Part No.	A161-2-2-01-1002	A161-3-2-01-1001
Pins Type	Crimped contacts	Pins with screw M3

COLOR-BY-FUNCTION™ SOCKETS

STA-DRY® 15Pin Power Socket

Stainless steel hinge pin and spring are designed for durability and corrosion protection

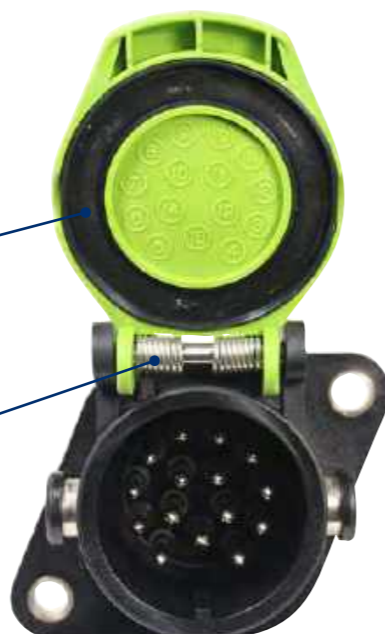


Reinforced mounting holes with stainless steel rings for durability and corrosion protection

360° moisture barrier standard on all straight and 90° cable exit sockets

Rubber gasket seals against moisture and corrosion when closed

Extremely flexible, fully opening lid for easy plug insertion



In an industry of black connectors and cables, Phillips makes it safe and easy to identify cable, plug and socket functions from a distance. This helps to eliminate confusion for the driver, increases safety and decreases repair and replacement time.

- Extremely flexible, fully opening lid for easy plug insertion
- Lid color-coded for easy function identification from a distance
- Stainless steel lid hinge pin, spring and reinforced mounting holes for durability and corrosion protection
- 360° compression ring protects against moisture and corrosion for 15 Pin, EBS & ABS sockets
- Rubber gasket seals against moisture and corrosion when closed for 15 Pin, EBS & ABS sockets
- Inner cavity is sealed to prevent corrosion from passing through to wire harness for 7 Pin sockets
- Extended front barrel for additional cable support for 7 pin sockets
- Slanted 5° for moisture drain 7 pin sockets



STA-DRY® 15Pin, EBS, ABS, 7Pin Sockets



STA-DRY® 15Pin Power Socket

Part No.	716-7191
Color	Green



STA-DRY® EBS Power Socket

Part No.	716-5171
Color	Dark Blue



STA-DRY® ABS Power Socket

Part No.	716-5151
Color	Light Blue



STA-DRY® 7S Socket

Part No.	716-4171
Color	Yellow



STA-DRY® 7N Socket

Part No.	716-3171
Color	Black

STANDARD SOLUTIONS SOCKETS

- Very flexible, fully opening lid for easy plug insertion
- Stainless steel hinge pin and spring for durability and corrosion protection
- Reinforced mounting holes with stainless steel rings for durability and corrosion protection
- Moisture barrier standard on all cable exit sockets

Standard Solutions 15Pin, EBS, ABS Sockets



15Pin Socket

Part No.	B011-2-2-01-1001	B011-3-2-01-1001
Pins Type	Crimped contacts	Pins with screw M3



EBS Socket

Part No.	B101-2-2-01-1001	B101-3-2-01-1001
Pins Type	Crimped contacts	Pins with screw M3



ABS Socket

Part No.	B061-2-2-01-1001	B061-3-2-01-1001
Pins Type	Crimped contacts	Pins with screw M3

Our standard connection systems reflect our long production experience globally and in Europe. Designed for durability, our solid standard products have proven to be a reliable and smart choice for many of our customers.

Standard Solutions 7Pin, 3Pin, Parking Sockets



7N Pin Socket

Part No.	B201-3-2-01-1001
Pins Type	Pins with screw M3



7S Pin Socket

Part No.	B251-3-2-01-2001
Pins Type	Pins with screw M3



3N Pin Socket

Part No.	B451-3-2-01-1001
Pins Type	Pins with screw M3



Parking Socket 7/24V

Part No.	B001-0-0-01-3002
----------	------------------



Parking Socket ABS/EBS; 13/24V; 15/24V

Part No.	B001-0-0-01-3001
----------	------------------

12V ELECTRICAL ASSEMBLIES

Our 12V portfolio reflects the best from our experience in 24V systems. We can support with our products wide range of needs for 12V vehicles and machines, e.g. agriculture, light commercial vehicles and passenger cars.

CAMPERS



12V Solutions Coils



13Pin Coil

Part No.	D411-01-015-1001
Maximum Extension Length	1,5 m
FLRY	10x1,5 mm ² + 3x2,5 mm ²
Color	Black



EBS Coil

Part No.	D151-01-035-1003	D151-01-040-1003	D151-01-045-1003
Maximum Extension Length	3,5 m	4 m	4,5 m
FLRY	3x1,5 mm ² + 2x4,0 mm ² + 2x1,5 mm ²		
Color	Black		



ABS Coil

Part No.	D081-01-035-1003	D081-01-040-1003	D081-01-045-1003
Maximum Extension Length	3,5 m	4 m	4,5 m
FLRY	3x1,5 mm ² + 2x4 mm ²		
Color	Black		



7/12V Coil

Part No.	D311-01-018-1101
Maximum Extension Length	1,8 m
FLRY	6x1,0 mm ² + 1x1,5 mm ²
Color	Black



7/12V Coil

Part No.	D313-01-030-1101
Maximum Extension Length	3 m
FLRY	6x1,0 mm ² + 1x1,5 mm ²
Color	Black

AGRICULTURE



PASSENGER CARS



12V ELECTRICAL ASSEMBLIES

Our 12V portfolio reflects the best from our experience in 24V systems. We can support with our products wide range of needs for 12V vehicles and machines, e.g. agriculture, light commercial vehicles and passenger cars.

12V Solutions Plugs



13Pin Plug

Part No.	A401-3-2-01-1001
Pins Type	Pins with screw M3



13Pin Plug

Part No.	A401-3-2-01-1002
Pins Type	Pins with screw M3



EBS Plug

Part No.	A151-2-2-01-1002	A151-3-2-01-1002
Pins Type	Crimped contacts	Pins with screw M3



7Pin Plug

Part No.	A301-3-1-01-101Z
Pins Type	Pins with screw M3



7Pin Plug

Part No.	A303-3-1-00-101Z
Pins Type	Pins with screw M3

12V Solutions Sockets



13Pin Socket

Part No.	B401-2-2-01-1001	B401-3-2-01-1002	B401-3-2-01-1001
Pins Type	Crimped contacts	Pins with screw M3	Pins with screw M3



EBS Socket

Part No.	B151-2-2-01-1001	B151-3-2-01-1001
Pins Type	Crimped contacts	Pins with screw M3



7Pin Socket

Part No.	B301-3-1-01-1001
Pins Type	Pins with screw M3



7Pin Socket

Part No.	B303-3-1-00-001Z
Pins Type	Pins with screw M3

12V Solutions Short Adapter

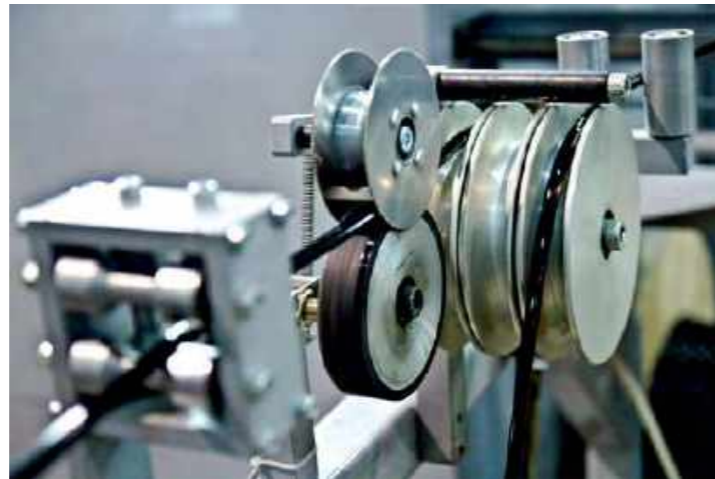


Short Adapter 13/7-12V

Part No.	C001-000000-3001
----------	------------------

LOW PRESSURE TUBES

Air is critically important for functioning of the braking system especially for trucks and trailers. We produce a wide range of pneumatic products within highest standards of performance and safety.



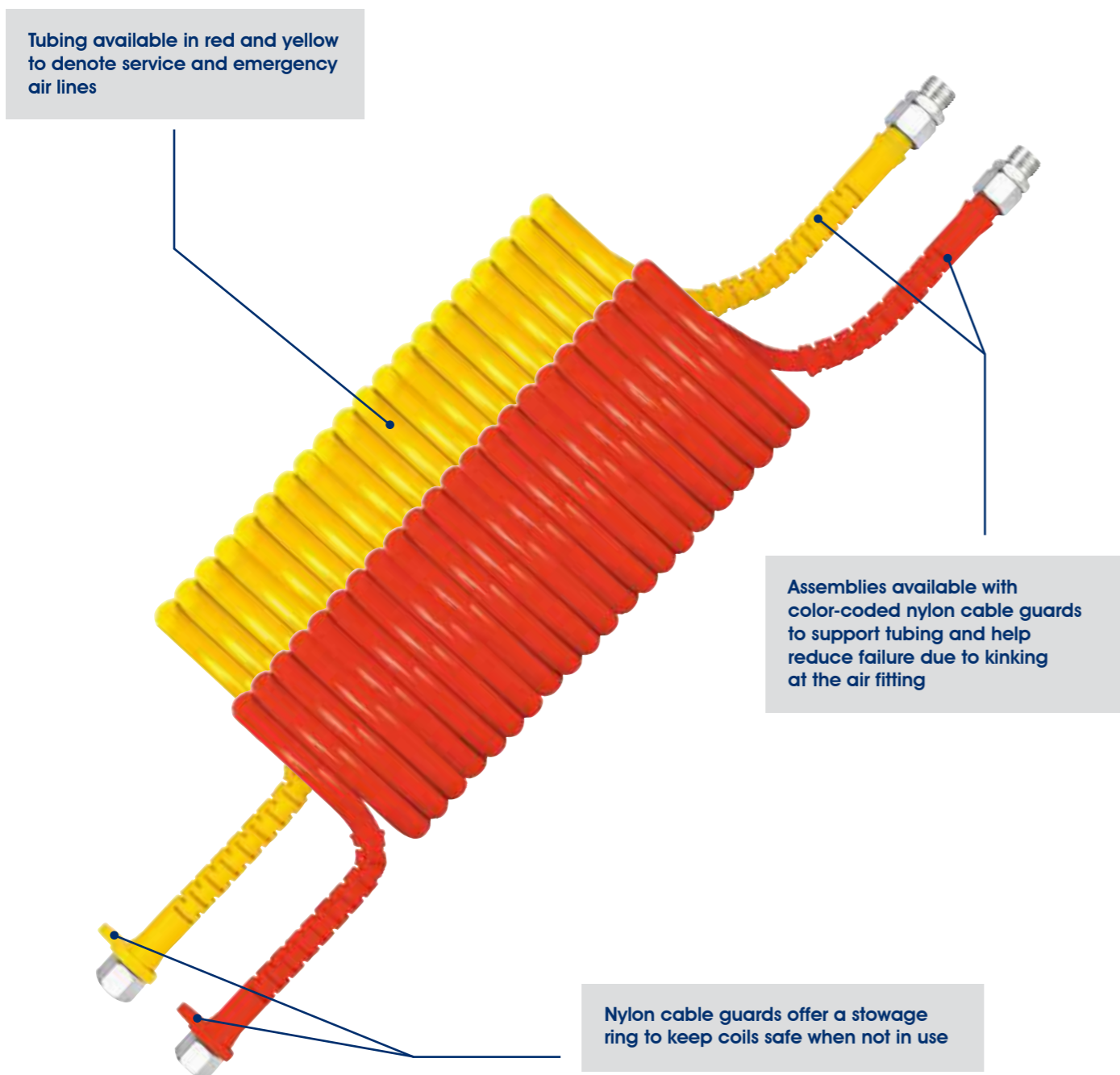
- Standard packaging in spools of 25, 100, 200 m
- Non-standard packaging can be discussed individually for each item
- Low pressure tubes are sold in five basic colors: black, red, yellow, green, blue
- Tubes assembly in self-clamping fittings is recommended by turning until you feel the inner stop
- The distance of insertion the tube into connection is always determined by producer of fittings
- DIN 74324 / 73378 compliance

Low Pressure Tubes

Dimension	Outer diameter		Inner diameter		Minimal wall thickness	Tube pressure range PA12 PHL min. Pr (bar)
	mm	Tolerance	mm	Tolerance		
4x1	4	± 0,10	2	± 0,2	0,90	44
5x1	5	± 0,10	3		0,90	33
6x1	6	± 0,10	4		0,90	27
8x1	8	± 0,10	6		0,90	19
8x1,5	8	± 0,10	5		1,35	31
9x1,5	9	± 0,15	6		1,35	27
10x1	10	± 0,10	8		0,90	15
10x1,5	10	± 0,15	7	± 0,3	1,35	19
11x1,5	11	± 0,15	8		1,35	21
12x1,5	12	± 0,15	9		1,35	19
14x2	14	± 0,15	10		1,80	22
15x1,5	15	± 0,15	12		1,35	15
16x2	16	± 0,15	12		1,80	19
18x2	18	± 0,15	14		1,80	17

AIR BRAKE COILS

Air is critically important for functioning of the braking system especially for trucks and trailers. We produce a wide range of pneumatic products within highest standards of performance and safety.



M18x1,5 ext ø ~115mm



Part No.	H182-05-400-7001	H182-05-450-7001	H182-05-500-7001	H182-05-550-7001
Maximum Extension Length	4,0 m	4,5 m	5 m	5,5 m



Part No.	H182-06-400-7002	H182-06-450-7001	H182-06-500-7001	H182-06-550-7002
Maximum Extension Length	4,0 m	4,5 m	5 m	5,5 m



Part No.	H182-08-400-7001	H182-08-450-7001	H182-08-500-7001	H182-08-550-7001
Maximum Extension Length	4,0 m	4,5 m	5 m	5,5 m

*Compliant with ISO 7375, 7628

AIR BRAKE COILS

Air is critically important for functioning of the braking system especially for trucks and trailers. We produce a wide range of pneumatic products within highest standards of performance and safety.

M18x1,5
ext ø ~115mm



Part No.	H182-04-400-7001	H182-04-450-7001	H182-04-500-7001	H182-04-550-7001
Maximum Extension Length	4,0 m	4,5 m	5 m	5,5 m



Part No.	H182-15-400-7001	H182-15-450-7001	H182-15-500-7002	H182-15-550-7002
Maximum Extension Length	4,0 m	4,5 m	5 m	5,5 m



Part No.	H182-26-400-7002	H182-26-450-7001	H182-26-500-7002	H182-05-550-7002
Maximum Extension Length	4,0 m	4,5 m	5 m	5,5 m

M18x1,5
ext ø ~145mm



Part No.	H182-04-800-8001	H182-04-999-8001	H182-04-000-8001	H182-04-000-8002
Maximum Extension Length	8,0 m	10 m	12 m	14 m



Part No.	H182-15-800-8001	H182-15-999-8001	H182-15-000-8001	H182-15-000-8002
Maximum Extension Length	8,0 m	10 m	12 m	14 m



Part No.	H182-26-800-8001	H182-26-999-8001	H182-26-000-8001	H182-05-000-8002
Maximum Extension Length	8,0 m	10 m	12 m	14 m

*Compliant with ISO 7375, 7628

AIR BRAKE COILS

Air is critically important for functioning of the braking system especially for trucks and trailers. We produce a wide range of pneumatic products within highest standards of performance and safety.

M16x1,5
ext ø ~115mm



Part No.	H182-05-400-7002	H182-05-450-7002	H182-05-500-7002	H182-05-550-7002
Maximum Extension Length	4,0 m	4,5 m	5 m	5,5 m



Part No.	H182-06-400-7001	H182-06-450-7003	H182-06-500-7002	H182-06-550-7001
Maximum Extension Length	4,0 m	4,5 m	5 m	5,5 m



Part No.	H182-04-400-7002	H182-04-450-7002	H182-04-500-7002	H182-04-550-7002
Maximum Extension Length	4,0 m	4,5 m	5 m	5,5 m



Part No.	H182-15-400-7002	H182-15-450-7002	H182-15-500-7001	H182-15-550-7001
Maximum Extension Length	4,0 m	4,5 m	5 m	5,5 m



Part No.	H182-26-400-7001	H182-26-450-7002	H182-26-500-7001	H182-05-550-7001
Maximum Extension Length	4,0 m	4,5 m	5 m	5,5 m

M16x1,5
ext ø ~115mm



Part No.	H182-02-400-7001	H182-02-450-7001	H182-02-500-7001	H182-02-550-7001
Maximum Extension Length	4,0 m	4,5 m	5 m	5,5 m



Part No.	H182-12-400-7001	H182-12-450-7001	H182-12-500-7001	H182-12-550-7001
Maximum Extension Length	4,0 m	4,5 m	5 m	5,5 m



Part No.	H182-22-400-7001	H182-22-450-7001	H182-22-500-7001	H182-22-550-7001
Maximum Extension Length	4,0 m	4,5 m	5 m	5,5 m

*Compliant with ISO 7375, 7628

AIR BRAKE COILS

Air is critically important for functioning of the braking system especially for trucks and trailers. We produce a wide range of pneumatic products within highest standards of performance and safety.

M22x1,5
ext ø ~115mm



Part No.	H182-05-400-7003	H182-05-450-7003	H182-05-500-7003	H182-05-550-7003
Maximum Extension Length	4,0 m	4,5 m	5 m	5,5 m



Part No.	H182-06-400-7003	H182-06-450-7004	H182-06-500-7003	H182-06-550-7003
Maximum Extension Length	4,0 m	4,5 m	5 m	5,5 m



Part No.	H182-04-400-7003	H182-04-450-7003	H182-04-500-7003	H182-04-550-7003
Maximum Extension Length	4,0 m	4,5 m	5 m	5,5 m



Part No.	H182-15-400-7003	H182-15-450-7003	H182-18-500-7003	H182-18-550-7003
Maximum Extension Length	4,0 m	4,5 m	5 m	5,5 m



Part No.	H182-26-400-7003	H182-26-450-7003	H182-26-500-7003	H182-26-550-7003
Maximum Extension Length	4,0 m	4,5 m	5 m	5,5 m

M22x1,5
ext ø ~115mm



Part No.	H182-09-400-7001	H182-09-450-7001	H182-09-500-7001	H182-09-550-7001
Maximum Extension Length	4,0 m	4,5 m	5 m	5,5 m



Part No.	H182-18-400-7001	H182-18-450-7001	H182-18-500-7001	H182-18-550-7001
Maximum Extension Length	4,0 m	4,5 m	5 m	5,5 m



Part No.	H182-28-400-7001	H182-28-450-7001	H182-28-500-7001	H182-28-550-7001
Maximum Extension Length	4,0 m	4,5 m	5 m	5,5 m

*Compliant with ISO 7375, 7628

AIR BRAKE COILS

Air is critically important for functioning of the braking system especially for trucks and trailers. We produce a wide range of pneumatic products within highest standards of performance and safety.

M18x1,5
ext ø ~75mm



Part No.	H193-05-400-5002	H193-05-450-5002
Maximum Extension Length	4,0 m	4,5 m



Part No.	H193-06-400-5002	H193-06-450-5002
Maximum Extension Length	4,0 m	4,5 m



Part No.	H193-04-400-5002	H193-04-450-5002
Maximum Extension Length	4,0 m	4,5 m



Part No.	H193-15-400-5002	H193-15-450-5002
Maximum Extension Length	4,0 m	4,5 m



Part No.	H193-26-400-5002	H193-26-450-5002
Maximum Extension Length	4,0 m	4,5 m

M18x1,5
ext ø ~75mm



Part No.	H193-03-400-5003	H193-03-450-5002
Maximum Extension Length	4,0 m	4,5 m



Part No.	H193-23-400-5002	H193-23-450-5002
Maximum Extension Length	4,0 m	4,5 m

*Compliant with ISO 7375, 7628

AIR BRAKE COILS

Air is critically important for functioning of the braking system especially for trucks and trailers. We produce a wide range of pneumatic products within highest standards of performance and safety.

M16x1,5
ext ø ~75mm



Part No.	H193-05-400-5001	H193-05-450-5001
Maximum Extension Length	4,0 m	4,5 m



Part No.	H193-06-400-5001	H193-06-450-5001
Maximum Extension Length	4,0 m	4,5 m

M16x1,5
ext ø ~75mm



Part No.	H193-04-400-5001	H193-04-450-5001
Maximum Extension Length	4,0 m	4,5 m



Part No.	H193-15-400-5001	H193-15-450-5001
Maximum Extension Length	4,0 m	4,5 m



Part No.	H193-26-400-5001	H193-26-450-5001
Maximum Extension Length	4,0 m	4,5 m



Part No.	H193-03-400-5001	H193-03-450-5001
Maximum Extension Length	4,0 m	4,5 m



Part No.	H193-23-400-5001	H193-23-450-5001
Maximum Extension Length	4,0 m	4,5 m

*Compliant with ISO 7375, 7628

AIR BRAKE COILS

Air is critically important for functioning of the braking system especially for trucks and trailers. We produce a wide range of pneumatic products within highest standards of performance and safety.

M22x1,5
ext ø ~75mm



Part No.	H193-05-400-5003	H193-05-450-5003
Maximum Extension Length	4,0 m	4,5 m



Part No.	H193-06-400-5003	H193-06-450-5003
Maximum Extension Length	4,0 m	4,5 m

M22x1,5
ext ø ~75mm



Part No.	H193-04-400-5003	H193-04-450-5003
Maximum Extension Length	4,0 m	4,5 m



Part No.	H193-15-400-5003	H193-15-450-5003
Maximum Extension Length	4,0 m	4,5 m



Part No.	H193-26-400-5003	H193-26-450-5003
Maximum Extension Length	4,0 m	4,5 m



Part No.	H193-03-400-5004	H193-03-450-5004
Maximum Extension Length	4,0 m	4,5 m



Part No.	H193-23-400-5003	H193-23-450-5003
Maximum Extension Length	4,0 m	4,5 m

*Compliant with ISO 7375, 7628

OTHER ELECTRICAL ASSEMBLIES

Our portfolio also includes products used in defense and special purpose vehicles.

Anderson Power Products



Straight Cable

Part No.	D001-00-010-3101	D001-00-020-3101	D001-00-030-3101	D001-00-040-3101
Length	1 m	2 m	3 m	4 m
Ext.	21 mm ²			
Color	Black / Red			

Part No.	D001-00-010-3102	D001-00-020-3102	D001-00-030-3102	D001-00-040-3102
Length	1 m	2 m	3 m	4 m
Ext.	35 mm ²			
Color	Black / Red			



Double Coil Intertwined

Part No.	D001-00-030-3103	D001-00-035-3103
Length	3 m	3,5 m
Ext.	21 mm ²	
Color	Black / Red	

Part No.	D001-00-030-3104	D001-00-035-3104
Length	3 m	3,5 m
Ext.	35 mm ²	
Color	Black / Red	



Double Coil

Part No.	D001-00-030-3105	D001-00-035-3105	D001-00-040-3105	D001-00-035-3105
Length	3 m	3,5 m	4 m	4,5 m
Ext.	21 mm ²			
Color	Black / Red			

Part No.	D001-00-030-3106	D001-00-035-3106	D001-00-040-3106	D001-00-045-3106
Length	3 m	3,5 m	4 m	4,5 m
Ext.	35 mm ²			
Color	Black / Red			

Power supply and start-up



Starter adapter

Part No.	D471-00-035-1101	D471-00-040-1101	D471-00-045-1101
Maximum Extension Length	3,5 m	4 m	4,5 m
ext Ø	65 mm		
Color	Black / Red		



Electrical Coil 2 spiral 2x35 mm²

Part No.	F471-00-035-4101	F471-00-040-4101
Maximum Extension Length	3,5 m	4 m
ext Ø	65 mm	
Color	Black / Red	



Starter cable with clamps and plug without cup

Part No.	C470-000030-4101	C470-000040-4101	C470-000050-4101	C470-000060-4101
Maximum Extension Length	3 m	4 m	5 m	6 m
Color	Black / Red			



Cable

Part No.	E471-01-050-1101	E471-15-050-1101
Maximum Extension Length	50 m	50 m
Color	Black	Red



Starter cable with clamps

Part No.	D470-00-030-7101	D470-00-040-7101	D470-00-050-7101	D470-00-050-7101
Maximum Extension Length	3 m	4 m	5 m	6 m
Color	Black / Red			

OTHER ELECTRICAL ASSEMBLIES

Our portfolio also includes products used in defense and special purpose vehicles.

Power supply and start-up



Starter plug 2-pol.

Part No.	A471-6-1-01-1101	A471-2-4-01-1101	A471-2-1-01-1101	A471-3-1-01-1102
Ext.	35 mm ²			
Pins	To solder	To crimp	To crimp	With screw
Material	Brass	Copper	Brass	Brass



Starter plug 2-pol.

Part No.	A471-6-1-01-1102	A471-2-4-01-1102	A471-2-1-01-1102	A471-3-1-01-1104
Ext.	50 mm ²			
Pins	To solder	To crimp	To crimp	With screw
Material	Brass	Copper	Brass	Brass



Rubber cup

Part No.	K000-005-017-001
Color	Black

Sockets



Starter socket 2-pol.

Part No.	B471-6-1-01-1101	B471-2-4-01-1101	B471-2-1-01-1101	B471-3-1-01-1104
Ext.	35 mm ²			
Pins	To solder	To crimp	To crimp	With screw
Material	Brass	Copper	Brass	Brass



Starter socket 2-pol.

Part No.	B471-6-1-01-1102	B471-2-4-01-1102	B471-2-1-01-1102	B471-3-1-01-1106
Ext.	50 mm ²			
Pins	To solder	To crimp	To crimp	With screw
Material	Brass	Copper	Brass	Brass



Rubber cup

Part No.	K000-001-017-001
Color	Black

Accessories



EBS tester

Part No.	C001-000000-2001
----------	------------------



Socket boot - fits 7N & 7S Sockets

Part No.	615-740
----------	---------

CONTACT US

GERMANY, AUSTRIA, SWITZERLAND:
MROSOL@PHILLIPS-EUROPE.COM

ITALY:
CMORICO@PHILLIPS-EUROPE.COM

GREAT BRITAIN, IRELAND, BENELUX,
SPAIN, PORTUGAL
AND SCANDINAVIA:
MKUBISA@PHILLIPS-EUROPE.COM

FRANCE:
JGONZALES@PHILLIPS-EUROPE.COM

POLAND, TURKEY, CENTRAL EUROPE
AND BALKAN COUNTRIES:
TZIEMBA@PHILLIPS-EUROPE.COM

CZECH REPUBLIC, SLOVAKIA,
EASTERN EUROPE:
PGROCHULSKI@PHILLIPS-EUROPE.COM



Phillips Poland Sp. z o.o.
Chechło Pierwsze
ul. Zwycięstwa 32, 95-082 Dobroń, Poland
TEL: +48 42 215 34 34



www.phillips-europe.com