

an iso 9001:2008 company



an iso 9001:2008 company

[www.powerconnectingrods.com](http://www.powerconnectingrods.com)

connecting the power



connecting  
RODS



**POWER INDUSTRIES**

Near Municipal Work Shop, Aji Vasahat,  
Bhavnagar Road, Rajkot - 360 003. (Guj.) INDIA.

Tel. : + 91 - 281 - 2387871

: + 91 - 281 - 2387872

: + 91 - 281 - 2389212

Fax : + 91 - 281 - 2389211

E-mail : [info@powerconnectingrods.com](mailto:info@powerconnectingrods.com)

Website : [www.powerconnectingrods.com](http://www.powerconnectingrods.com)

[www.powerconnectingrods.com](http://www.powerconnectingrods.com)

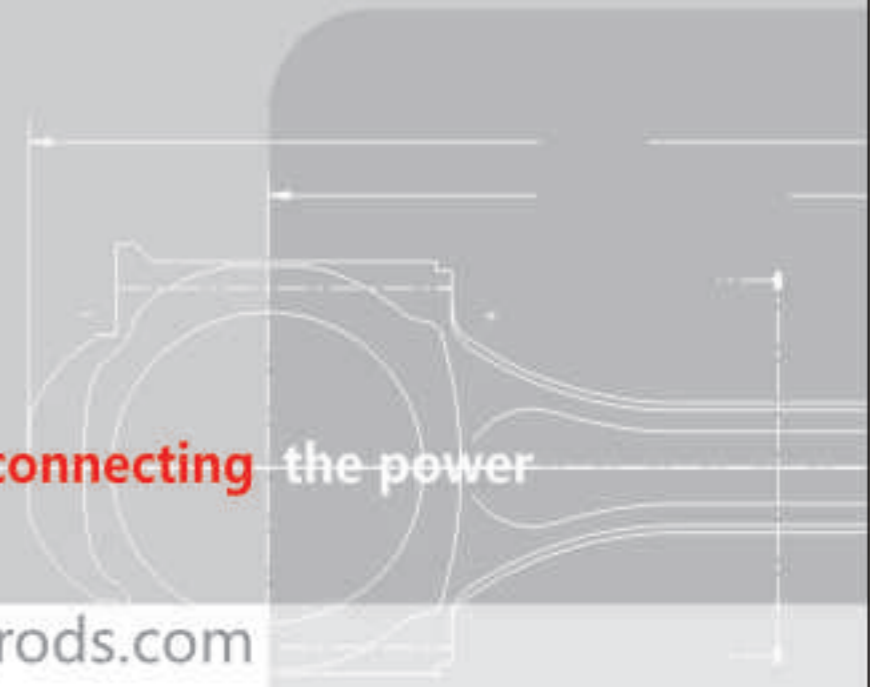


## company profile

More than 30 years ago, Power Industries, was established and ever since, it has consistently focused all its activities on the requirements of customers and markets. Doing so it has grown from a specialized Indian company into a global range of supplier of connecting rods.

As a manufacturer of connecting rods, certified to Din EN ISO 9001 : 2008, we supply and serve customers in many countries.

connecting the power



an iso 9001:2008 company

[www.powerconnectingrods.com](http://www.powerconnectingrods.com)





# PRODUCTION

Highly motivated engineers and technical experts with many years of experience and a trained eye monitor the quality of our products throughout the entire production process. Strict quality specifications and regular inspections guarantee the absolute reliability of our products.

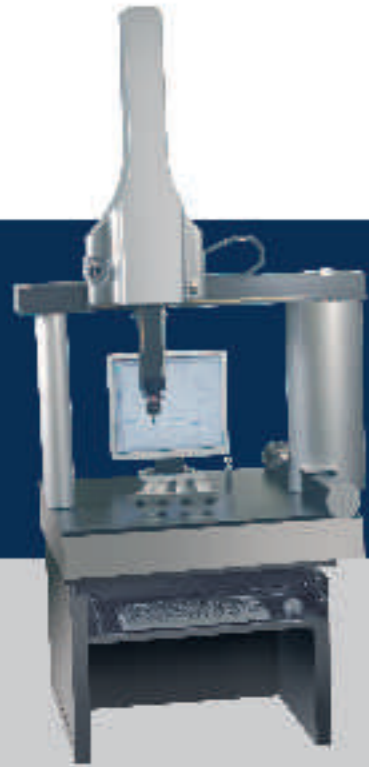
To get high performance we take close attention on manufacturing and inspection process. To eliminate stress risers we do such techniques like grinding the edges, shot pinning to relieve the stress, balancing and magna fluxing to find out invisible cracks which would cause the connecting rod failure in stress condition. Utmost care is also taken on the torque on the bolts and nuts to the exact value specified.



The connecting rods are usually made of steel alloys like 42CrMo4, 41CrS4, SAE1141, SAE4340 etc. These are under tremendous stress from the reciprocating load represented by the piston, actually stretching and relaxing with every rotation, and the load increases rapidly with increasing engine speed.



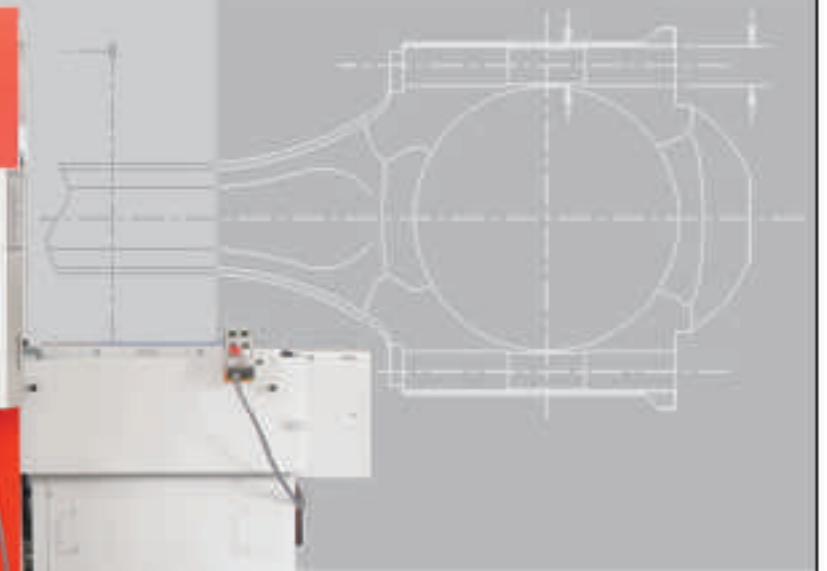
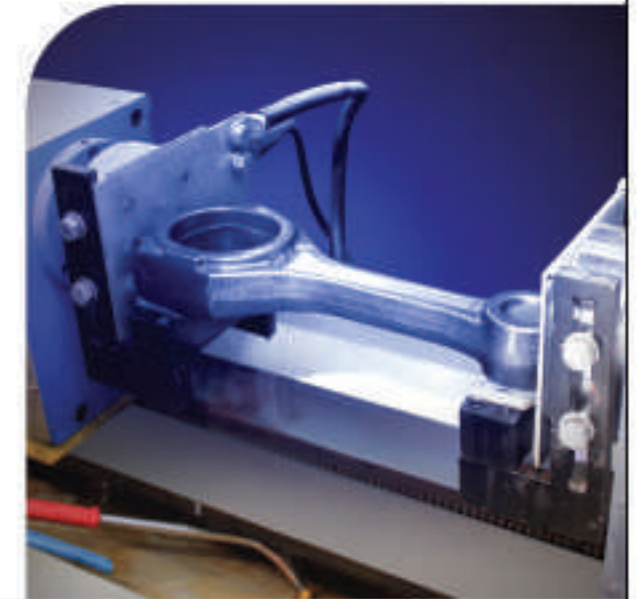




quality

Quality is what makes the difference. Especially for automobiles very high standards of reliability, safety and service life are essential. Our commitment to quality, from research and development through the entire production process to logistics and customer service, was confirmed by a successful QM audit performed and certified in 2007.

Since then, our active quality management system has been based on international industry standards and today it conforms to the current DIN EN ISO 9001:2008 standards. Permanent dialogue with customers, suppliers and our production departments ensures continuous improvement and further development of our quality relevant processes. We adjust and adapt to the changing needs of our customers and remain dedicated in our efforts to serve them to the best of our ability.



[www.powerconnectingrods.com](http://www.powerconnectingrods.com)





Main raw materials for the process of manufacturing connecting rods are Forgings, Bushes, Bolts, Nuts & Dowell Pins. To maintain the standard quality of Connecting rod, we purchase the raw materials from standard companies. The material that generally being used, are as under:

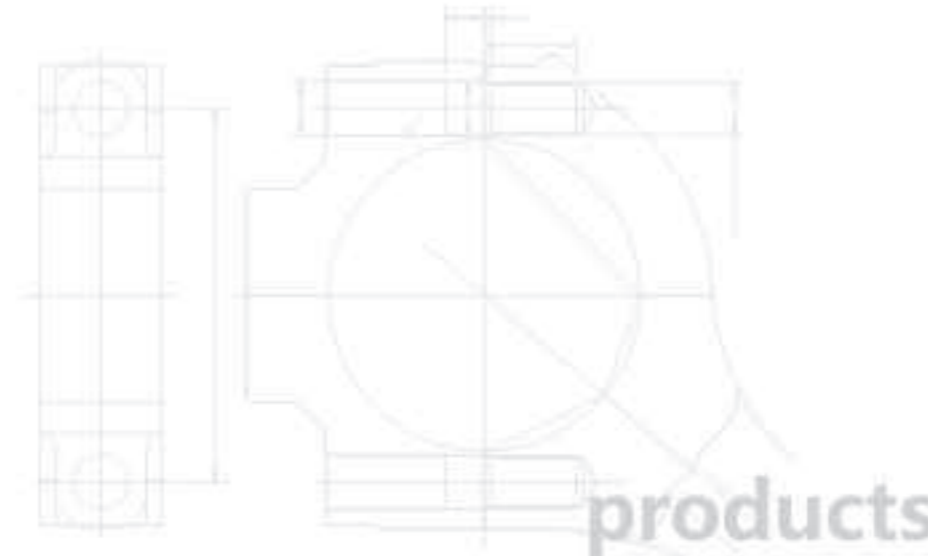
For Forging: EN8D, 42CrMo4, C-70. [As Forged, Normalizing or NQT (Tempering, Normalized & Quenching)]

For Bushes: SAE-1010 for Bi-metal Bushes.

For Bolts: SAE-4140

For Nuts: EN-8

Apart from the above, if the Customers have requirement of any other material grade, we also can develop the connecting rods with the specified material grade.



# PRODUCTS

We manufacture proven high-quality Connecting Rods for all types of Tractors, Automobiles, Marine, DG sets, Earth Moving Equipments and Compressors having ISO 9001:2008 Certification.

We have a wide range of connecting rods for Caterpillar, Cummins, Deutz, Escorts, Fiat, Ford, Johndeere, Lister, Lombardini, Man, Massey Ferguson, Mercedes Benz, Mitsubishi, Nissan, Perkins, Petter, Peugeot, Tatra, Toyota, Zetor etc. We can also develop connecting rods as per your drawing / samples. We are supplying these to many countries including USA, Europe, Australia, UAE and others.

We also developed the Fracture Splitting (The latest High Quality and High accuracy process for forging and casting) connecting rods.



an iso 9001:2008 company

**connecting** the power  
[www.powerconnectingrods.com](http://www.powerconnectingrods.com)

connecting  
**RODS**



application for  
LIGHT commercial  
**VEHICLES**

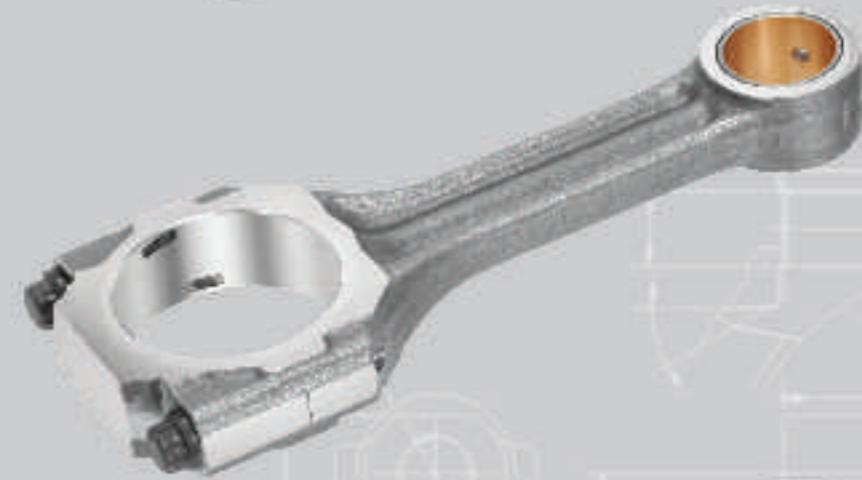
SUITABLE *for*

- Audi
- Mercedes Benz
- Toyota
- Fiat
- Nissan
- Honda
- Peugeot
- Mitsubishi
- Kia

[www.powerconnectingrods.com](http://www.powerconnectingrods.com)



application for  
LIGHT commercial  
**VEHICLES**



connecting  
the power







application for  
**BUSES & TRUCKS**



- SUITABLE *for*
- Mercedes Benz
  - Volvo
  - Hino
  - Leyland
  - Renault

connecting  
the power



application for  
**BUSES & TRUCKS**

[www.powerconnectingrods.com](http://www.powerconnectingrods.com)



www.powerconnectingrods.com

application for  
**TRACTORS**

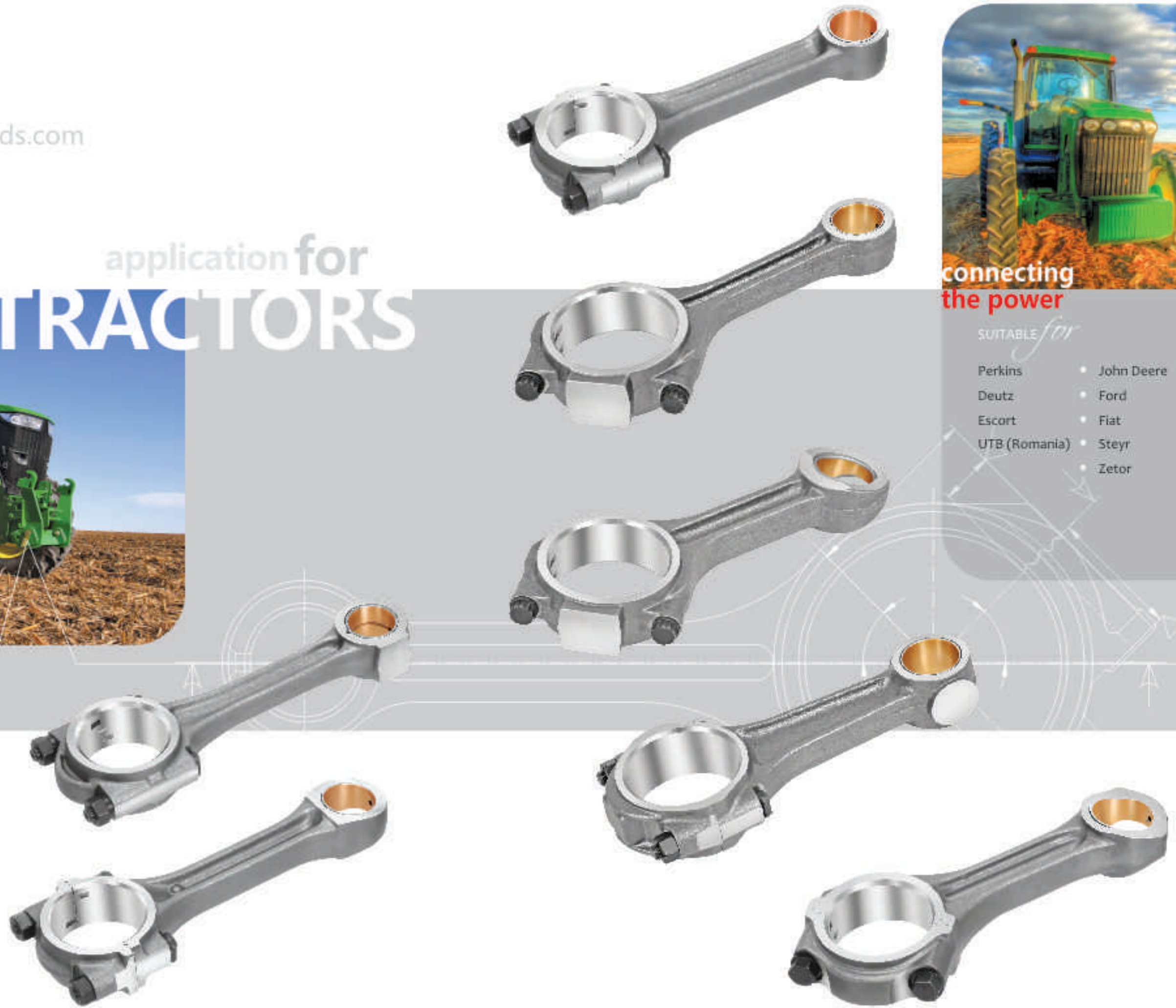


connecting  
the power

SUITABLE *for*

- Perkins
- Deutz
- Escort
- UTB (Romania)
- John Deere
- Ford
- Fiat
- Steyr
- Zetor

application for  
**TRACTORS**







connecting  
the power

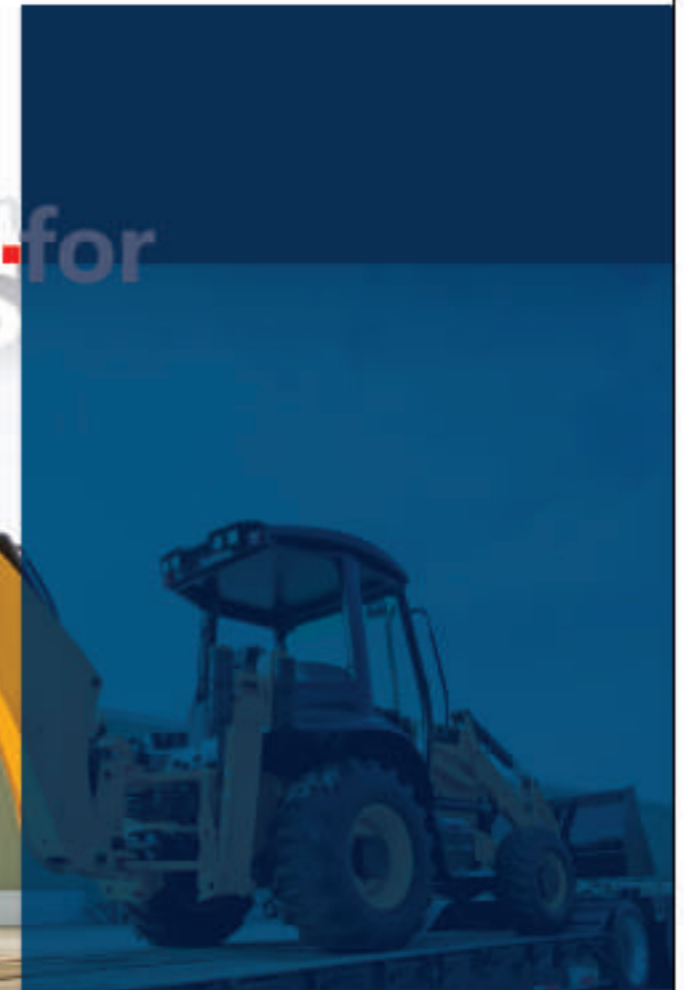
SUITABLE *for*

- Caterpillar
- Komatsu
- Cummins



[www.powerconnectingrods.com](http://www.powerconnectingrods.com)

# application for EARTH MOVERS



application for  
**EARTH MOVERS**





OUR GLOBAL presence

OUR GLOBAL presence



- |         |        |                |
|---------|--------|----------------|
| Germany | Poland | Libya          |
| Italy   | Brazil | Afghanistan    |
| UAE     | Iran   | United Kingdom |
| USA     | Turkey |                |