

Data sheet quadax®-buttweld type butterfly valve



body details

butterfly valve:	bare shaft
pressure range:	0-2320 psi
nominal size:	3"-40"
connection:	buttweld ends
body materials:	carbon steel, stainless steel, special material (duplex, inconel)
valve seat materials:	inconel, others on request
seal materials:	stainless steel with or without laminated graphite, inconel, PTFE



The body materials listed above are in contact with the media.

details needed

size
pipe connection
operating pressure
flow rate
Δp
closing time
media
process temperature
ambient temperature



The valves' technical design is based on media and application requirements. This can lead to deviations from the general specifications shown on the data sheet with regards to the design, sealing materials and characteristics.

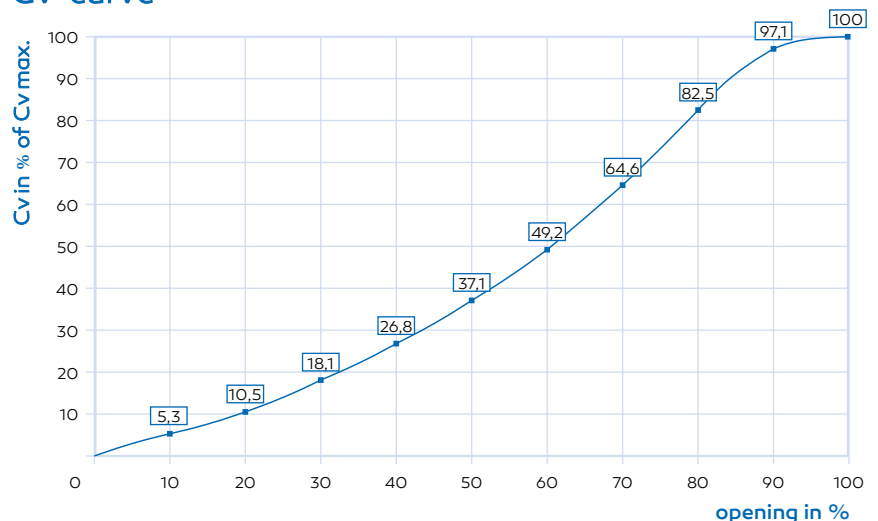


If order or application specifications are incomplete or imprecise there is the potential for an incorrect technical design of the valve for the required application. As a consequence, the physical and / or chemical properties of the materials or seals used, may not be suitable for the intended application.

general specifications

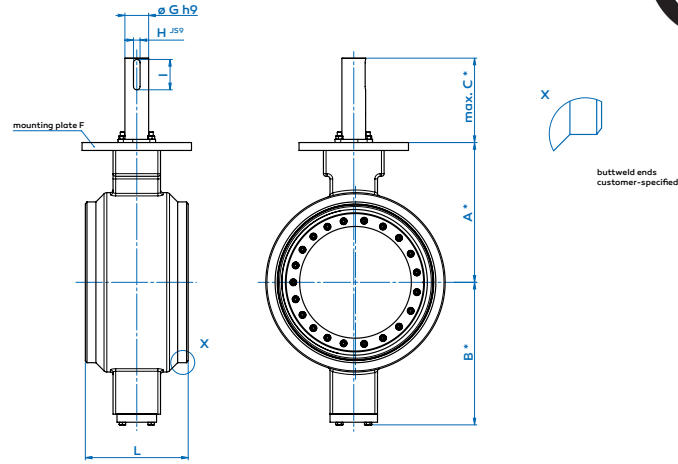
ports	buttweld ends	
function		depending upon actuator
pressure range	body pressure	0 to 2320 psi
	Δp standard shaft	754 psi in both directions
	Δp optional shaft	1450 psi in both directions
Cv value	gal/min	see table
leakage rate		zero-leakage per API 6D and API 598 resilient in both direction; fire-safe per API 607 6th edition
flow direction		indicated by arrow on body of valve
switching time		depending upon actuator
temperature range	standard	+14°F to +842°F
	with special materials	-454°F to +1452°F
limit switches		depending upon actuator
approvals		PED / Fire safe / BAM / TA Luft / ATEX
weight	lbs	see table
additional equipment		upon request

Cv-curve



quadax valves inc.
 1518 Grundy's Lane
 Bristol, PA 19007, USA
 Email: sales@quadaxvalves.com
 Phone: 855-578-2329

Data sheet auadax® -buttweld type butterfly valve



* dimensions for trim X only

Dimensions

size	(inch)	3	4	5	6	8	10	12	14	16	18	20	24	28	30	32	36	40	
pipe cl to mounting plate	A	5.04	6.38	7.48	7.99	9.45	10.98	12.01	12.80	15.16	15.94	17.32	20.87	24.80	24.80	27.56	32.68	36.22	
pipe cl to cover screws	B	5.08	6.22	7.32	8.03	9.49	11.06	12.09	13.11	15.08	15.87	17.36	21.30	25.31	25.31	28.07	32.91	36.46	
bare shaft length for direct mounting	C	3.74	4.92	5.31	5.71	7.09	7.09	7.09	11.02	11.38	11.81	12.60	12.60	14.45	14.45	14.45	15.67	15.67	
bare shaft length for adapter	C	2.01	2.68	2.68	2.68	3.35	3.35	3.35	6.81	6.69	6.69	6.69	6.69	8.27	-	-	-	-	
mounting plate F ISO 5211	(others on request)	F F07	F10	F12	F14	F16	F16	F16	F25	F30	F30	F35	F35	F40	F40	F40	F48	F48	
trim A	290 psi max.	G	-	-	-	-	-	1.57	1.77	1.97	2.17	2.17	2.76	3.54	3.54	3.94	4.33	4.72	
		H	-	-	-	-	-	0.47	0.55	0.55	0.63	0.63	0.79	0.98	0.98	1.10	1.26	1.26	
		I	-	-	-	-	-	1.77	2.36	2.36	3.15	3.15	3.54	4.53	4.53	4.92	5.51	6.30	
trim X (standard)	754 psi max.	G	0.71	0.79	0.87	1.26	1.26	1.57	1.77	2.17	2.56	2.76	2.95	3.54	4.33	4.33	5.12	5.91	6.30
		H	0.24	0.24	0.24	0.39	0.39	0.47	0.55	0.63	0.71	0.79	0.79	0.98	1.26	1.26	1.26	1.42	1.57
		I	1.10	1.10	1.57	1.57	1.57	1.77	2.36	3.15	3.46	3.54	3.54	4.53	5.51	5.51	7.09	7.09	7.87
trim B	1500 psi max.	G	-	-	-	-	1.77	2.17	2.56	2.95	3.54	3.74	4.33	5.12	5.91	5.91	7.09	7.48	8.66
		H	-	-	-	-	0.55	0.63	0.71	0.79	0.98	0.98	1.26	1.26	1.42	1.42	1.77	1.77	1.97
		I	-	-	-	-	2.36	3.15	3.46	3.54	1.15	4.92	5.51	7.09	7.09	7.09	8.66	9.84	11.02
trim C	2250 psi max.	G	0.79	1.10	1.26	1.57	1.97	2.56	2.95	3.54	4.33	4.33	5.12	5.91	6.69	6.69	7.87	9.06	9.84
		H	0.24	0.31	0.39	0.47	0.55	0.71	0.79	0.98	1.26	1.26	1.26	1.42	1.57	1.57	1.77	1.97	2.20
		I	1.10	1.57	1.57	1.77	2.36	3.46	3.54	4.53	5.51	5.51	7.09	7.09	7.87	7.87	9.45	11.02	12.60
DIN 3202 F4	L	7.09	7.48	7.87	8.27	9.06	9.84	10.63	11.42	12.20	12.99	13.78	15.35	16.93	18.50	18.50	20.08	21.65	
Cv-value (gal/min)	trim A	Δp max. 290 psi	-	-	-	-	-	4462	6370	9237	12483	15024	24013	29620	37978	42003	55308	65269	
	trim X	Δp max. 754 psi	137	300	486	760	1680	2850	4314	5953	8513	11612	14091	22387	26838	31702	38771	50250	59765
	trim B	Δp max. 1500 psi	-	-	-	-	1458	2469	3698	5185	7305	10160	11913	19137	23053	25914	33293	45295	51679
	trim C	Δp max. 2250 psi	117	242	400	670	1353	2228	3402	4607	6580	9290	10979	17444	21199	24658	31138	40341	47523
weight (standard)	(approx. lbs)	31	33	46	60	130	71	157	317	467	584	710	996	1239	1592	1786	2011	2227	