

**STRONG TIPPER AGAINST**

**TOUGH CONDITIONS**

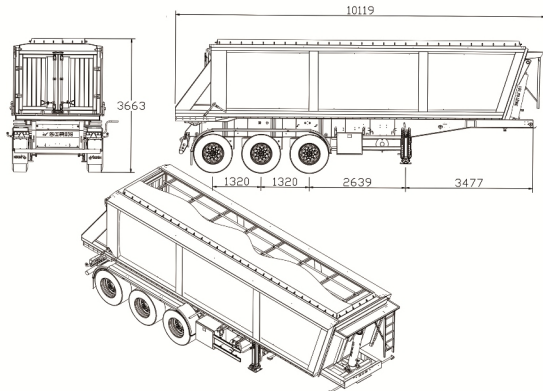


**GRAIN TYPE TIPPER SEMI-TRAILER**

[www.serin.com.tr](http://www.serin.com.tr)



# GRAIN TYPE TIPPER SEMI-TRAILER



## GRAIN TYPE TIPPER SEMI-TRAILER TECHNICAL SPECIFICATIONS

<b>OVERALL LENGHT</b>	10.119 mm
<b>OVERALL WIDTH</b>	2.550 mm
<b>FIFTH WHEEL HEIGHT</b>	1.300 mm
<b>VOLUME</b>	38 m <sup>3</sup>
<b>AXLES</b>	Drum or disc type axle with 3*12000 kg carrying capacity (SERIN, BPW or SAF Brand)
<b>CHASSIS</b>	High strength I profile steel SERIN brand chassis fabricated with automatic welding techniques and that complies with 98/91 EEC Standards
<b>BRAKE SYSTEM</b>	Equipped with braking system that has automatic load adjusting valve (cornering safety system) and that complies with 71/ 320 EEC and 2002/78 EC Standards.
<b>LIFTING AXLE</b>	Provision of a lifting front axle that prevents tire wear and simplifies turning maneuverability
<b>LANDING GEARS</b>	Double Speed SERIN, QRC, JOST or SAF Brand (or equivalent) mechanical landing gear with 24 Ton carrying capacity
<b>KING PIN</b>	2" Flanged type JOST brand King Pins that comply with 94/20 EEC norms.
<b>REAR BUMPER</b>	70/221 / EC moving according to standard movable rear bumper
<b>AIR SUSPANSIONS</b>	Provided with height adjusting system and Shock absorbers to limit movements of the parabolic Z springs and axles
<b>ELECTRICAL EQUIPMENT AND LIGHTING</b>	On each side 3 pcs of amber colored lights, park lamps at rear, number plate lamp, triangle reflectors (Electrical Ssystem, completely E approved) 2 X 7 pin electrical socket, Protective grill at rear lights.
<b>TOOL BOX</b>	Plastic tool cabinet with 80x60x50 cm dimensions
<b>WATER TANK</b>	30 Liter Plastic Water Tank
<b>TIRES AND WHEELS</b>	6+1 385 / 65/ R 22.5 tubeless tires with 22.5 /11.75 steel wheels
<b>SUPERSTRUCTURE</b>	Base, 3 mm and on the back cover (Domex), while the side wall 3 mm steel (Domex) with high wear resistance. Top steel (Domex) cover grill type and manuel canvas
<b>HYDRAULIC SYSTEM</b>	5 Stage Box cylinder and hydraulic system raises and lowers speed and the tipper itself a device that prevents removal.
<b>REAR DOORS</b>	Standard mechanical rear tipping and additionally two side loading rear doors with container type locking system.
<b>MUDGUARDS</b>	2 pcs Galvanized steel mudguards with plastic edges.
<b>OPTIONALS</b>	FULLY GALVANIZED CHASSIS DOUBLE SPARE TYRE CARRIER OIL TANK AND HOSES HUBODOMETER

+90 332 444 29 23

www.serin.com.tr

f /serintreyler

whatsapp /serin\_treyler

in /serintreyler



**SERIN**

Serin Treyler A.Ş.  
Sancak Mah.Yeni Istanbul Cad.  
No:138 Setiçuklu / KÖNYA  
Tel : +90 332 282 01 00  
Fax : +90 332 282 01 05  
E-mail : serin@serin.com.tr  
Web : www.serin.com.tr



Serin Treyler A.Ş., reserves the right of making changes in the technical specifications and components without making any prior notice. Some components seen on the photographs and specifications seen here may not be standard features of the vehicles. There may have been some changes after publication of this document (FEBRUARY 2017). No right can be claimed on a sign or numbers used by seller or buyer to define a product on ordering. Differences in colors are due to printing techniques.