

# SOLUTION FOR HEAVY LOADS

MODEL :SRN3AX60TONS



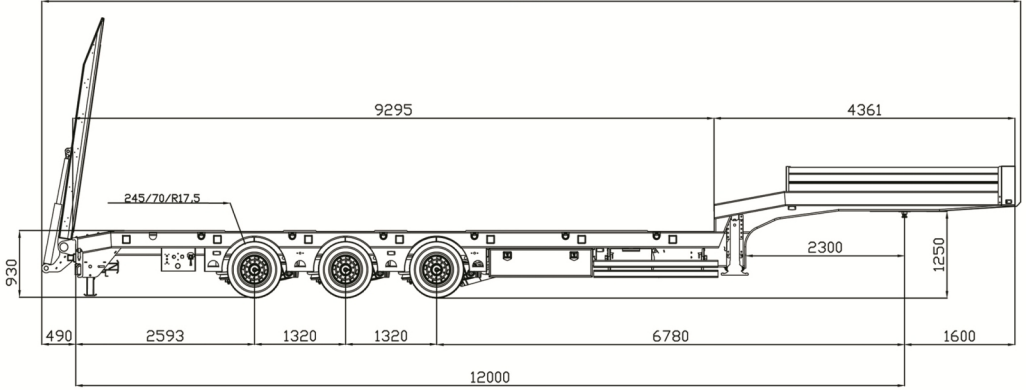
## LOWBED SEMI TRAILER

[www.serin.com.tr](http://www.serin.com.tr)

 **SERIN**

# LOW BED SEMI-TRAILER (Model-SRN3AX60TONS)

14185



## MODEL SRN3AX60TONS TECHNICAL SPECIFICATIONS

|   |   |
|---|---|
| <b>Fifth Wheel Height</b>               | 1250 mm   |
| <b>Loading Platform Height</b>          | 930 mm (Loaded)   |
| <b>Overall length</b>                   | 14185 mm  |
| <b>Overall Width</b>                    | 3000 mm   |
| <b>Loading Platform Length</b>          | 9295 mm   |
| <b>Gooseneck Length</b>                 | 4320 mm   |
| <b>Axle Group Capacity</b>              | 42000 kg  |
| <b>King Pin Capacity</b>                | 18000 kg  |
| <b>Total GCW (Capacity):</b>            | 60.000 kg   |
| <b>Chassis Construction</b>             | SERIN chassis suitable for 98/91 EEC standards made from high graded steel with "I" profile shape, produced with atomized submerged arc welding system.                                     |
| <b>Brake System</b>                     | Brake system suitable for 71/320 EC and 2002/78 EC standards. Automatic load sense valve RSS (corner stabilizer).   |
| <b>Axle</b>                             | SERIN Brand 3 x 14 ton capacity, Mechanical suspension  |
| <b>Tires &amp; Rims</b>                 | 12+1 PCS tire with size 295 60 R 22,5   |
| <b>Electrical System:</b>               | Electrical system suitable for 76/756/EEC, 2007/35 EC and ADR standards. 2 x 7 pole plugs, 1 x 15 pole plug suitable for all type truck tractors LED system. Front and side warning lights. |
| <b>Landing Gears</b>                    | JOST Brand, 24 ton carrying capacity, double speed mechanical landing gear.   |
| <b>Rear Loading Ramp</b>                | Sliding Hydraulic Ramp, ramp overall dimension 3130 mm  |
| <b>Base Plate</b>                       | 68 mm hard wood floor covering, gooseneck covered with checkered plate  |
| <b>Water Tank</b>                       | 60 liter stainless steel water tank.  |
| <b>Tool Box</b>                         | 2 PCS with dimensions 1500*500*400 mm   |
| <b>Side Protective Bars</b>             | Impact-resistant side bicycle protective bar suitable for 70/156 EEC standards  |
| <b>Lashing Hooks and Lashing Points</b> | 2*11 load lashing hook suitable for safe cargo transport.   |
| <b>Widening Brackets</b>                | 2 x 9 PCS widening brackets with 250 + 250 mm dimension   |
| <b>Gooseneck Side Cover</b>             | Aluminum side cover with 350 mm height  |
| <b>Distance Between Axles</b>           | 1320 mm   |



+90 332 444 29 23

www.serin.com.tr

/serintreyler

/serin\_treyler

/serintreyler



TSEK



TRAILER MANUFACTURERS ASSOCIATION



**SERIN**

Serin Treyler A.S.  
Sancak Mah.Yeni Istanbul Cad.  
No:138 Setçuklu / KONYA  
Tel : (0 332) 282 01 00  
Fax : (0 332) 282 01 05  
Mail : serin@serin.com.tr  
Web : www.serin.com.tr



Serin Treyler A.S., reserves the right of making changes in the technical specifications and components without making any prior notice. Some components seen on the photographs and specifications seen here may not be standard features of the vehicles. There may have been some changes after publication of this document (February 2015). No right can be claimed on a sign or numbers used by seller or buyer to define a product on ordering. Differences in colors are due to printing techniques.