



www.hugo-lift.com

MACHINERY
HUGO[®] YIYING

Shanghai Yiyong Crane Machinery Co., Ltd

TEL:0086-21-24209726


0086-21-60530639


FAX:0086-21-61294883

Mobile phone: 86 18601652603

E-mail: sales@yiyonggroup.com

<http://www.hugo-lift.com>

 facebook: <http://www.facebook.com/hugogroup>

 twitter: <http://twitter.com/hugohoist>

SHANGHAI YIYING
CRANE
MACHINERY
CO.,LTD.



ABOUT US

ALL PRODUCTS CAN CUSTOMIZED

Shanghai Yiying Crane Machinery Co.,Ltd. keeps ahead in many fields such as the professional crane machinery manufacturer and supplier of service. We are in advance in technology and sources. The head office of our company located in Baoshan YuePu Economy Development district. We have many producing base of parts and machines in Chongqing, Hangzhou, Shandong, Beijing areas etc. and more. Than 20 branches. We have already done business with about 30 countries all over the world.



We are the manufacturer famous for "HuGong" and "YiYing" brand chain block and

electric block. The annual production can reach more than 500,000 sets. It is one of the companies producing with complete specifications of producing crane machinery. It is also one of the largest companies producing chain blocks. The products of "YiYing" brand have won the title of Chinese Consumer Assurance Brand and Chinese Quality Inspection Publicize Product. The quality of our products are insured by PING AN OF CHINA. The products of "HuGong" brand have gained the high quality and famous brand in Shanghai. Warmly welcome the customers from home and abroad to establish business relationship with us. Making development together!



YIYING CRANE MACHINERY

THE ENTERPRISE HONOR

HONOR / ALL EMPLOYEES SHARE HUGO®

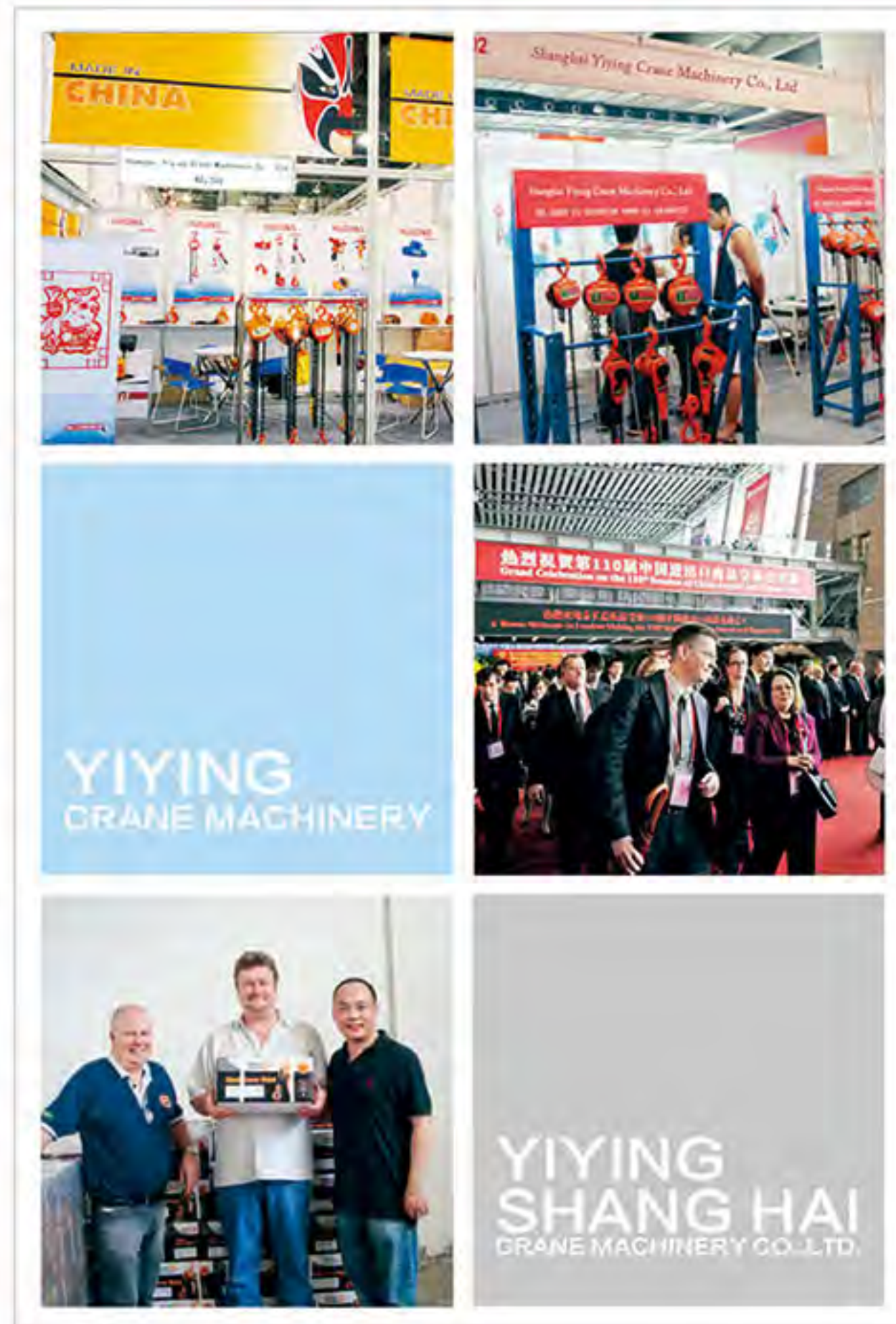
On the basis of strict management of producing and control of selecting materials, using advanced techniques and through workable able inspection, to satisfy customers in quality and quantity.



EXHIBITION

The Canton fair

Getting orders directly from international buyers, participate in import and export commodities fairs from 2009. The fair acts as a bridge role for the development of international business. At the end of 2013, HUGO export business has covered Europe, Africa, North America and other places.



The international fair

Getting orders directly attend the Las Vegas show in 2013, attend the International Hardware Fair Cologne in 2014, it expands our international business, and we also recognised by many international cooperation enterprises.

CONTENTS

Hand chain hoist	
VD	02
VC-B	03
HSZ	04
HS-VN	05
Explosion proof	06
trolley Series	
GCLIGCT	08
Electric trolley, Anti-explosion trolley	10
Lever Block	
VIT wire rope	11
VA lever block	13
Aluminium alloy	14
electric hoist	
New product	15
CD1 Wire rope	17
BCD explosion-proof	18
PA Mini	19
Explosion-proof	20
PDH	21
HCH Stage	22
DHP	23
KSY	24
PK Double speed	25
Lifting clamp	
Beam Clamp	26
Chains	
carburizing chain	27
G80、G100	28
other series	
Permanent magnet lifter	29
Automatic chuck	30
pulley	31
Webbing sling	32

VD SERIES DOUBLE BEARING CHAIN BLOCK

2. The forging process of the frame keeps it in good shape and also in high strength.

3. The multi-point bracing rationalizes the transmission system.

4. The gears become trigonometry model, which is easier to disassemble and assemble so it is suitable for the outdoor working.

7. The application of the low-alloy steel, the heat treatment with carbon and the final surface treatment in gears, whose the best tooth profile to improve its tooth profile, the hardness and wear resistance, rust resistance in the meantime the most vividly the expression of its function in the mechanical driving efficiency

8. The load wheel is made of high-quality alloy steel, so it possess accurate transmission and high strength.

11. It improves the efficiency of more than 2.5 times because using single chain design about 3 tons and below. More than a third hand pull gently due to the nose using the specially designed at the same time.

1. Add the hook's opening dimension so it can be fitted for more situation. The up and low hook are made of the special metal material. All of them are under heat treatment to make sure it will not crack when overloading

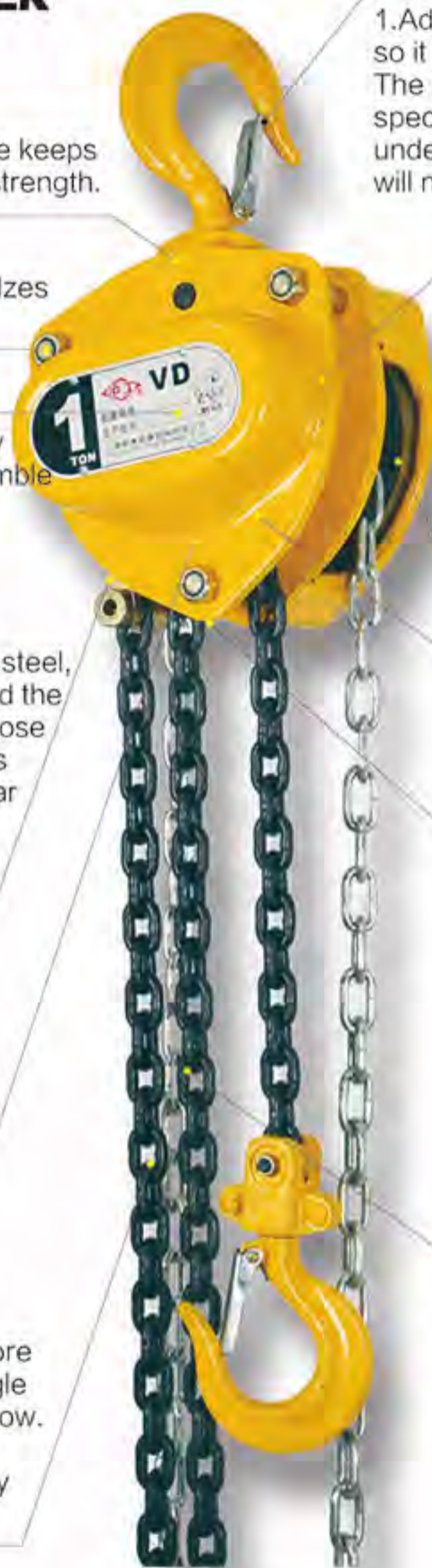
12. The outer shell with high intensity and resistance to impact, it will protect the internal structure perfectly.

10. The outer shell which increase the intensity won't stuck the chain and make too much noise when you hand zipper, oblique cross.

5. The two pawls can double our safety factor

6. All the non-slip nuts make sure it has a better security capability

9. The load chain is made of high quality alloy steel. 4 times test can prove its safety factor is high enough.



VD CHAIN HOIST

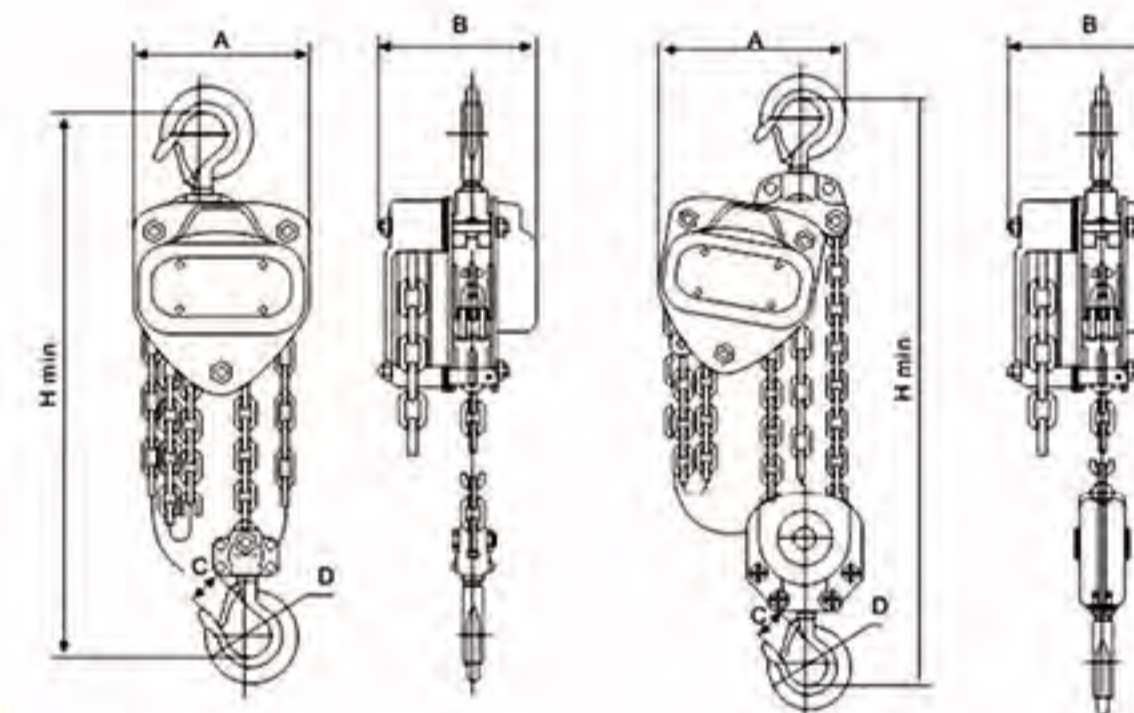
Adopt Japanese technology, which is the convex word process Low alloy steel, which is reliable and durable.

Premium alloy steel grade 80 load chain, which is safe and long serving life

Smooth operation, high efficient, small hand pulling force.

Double pawls, two load chain guides wheel, which are safe Needle bearing optioned.

Widely used in the nuclear power station, thermal power station etc.



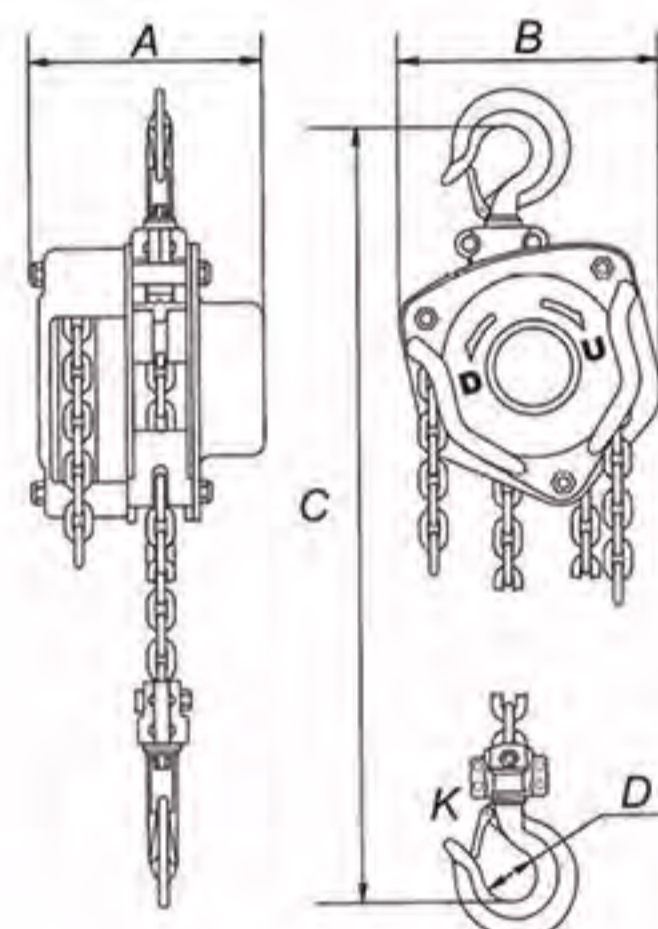
Product parameters

Model	HSZ-CD1T	HSZ-CD1.5	HSZ-CD2T	HSZ-CD3T	HSZ-CD5T	HSZ-CD10T	
Capacity(T)	1	1.5	2	3	5	10	
Lifting Height (m)	2.5	2.5	2.5	3	3	3	
Load Chain	No.of falls	1	1	1	2	4	
	Demension	6×8	7.1×21	8×24	10×30	9×27	10×30
Force of full load	250	265	335	372	360	380	
N.W/G.W(KG)	14.5/15	16.5/17	19.5/20.1	32/34	41.1/43.6	75.7/79.1	
Demension (mm)	a	149	176	176	231	249	463
	b	153	173	173	185	185	185
	c	29	35	35	39	49	54
	d	41	51	51	49	67	75
	Hmin	352	385	385	445	615	765
(KG) Additional weight per meter	1.6	1.9	2.2	3.0	4.6	9.6	



VC-B CHAIN HOIST

- * The gear cover design with high strength prevent the outside impact to protect its internal components
- * The adoption of overall bearing, greatly improved product performance and service life
- * The adoption of low-alloy structural steel plates, more safe
- * Grade 80 high strength load chain, High safety factor.
- * Double pawls, double load chain guide wheels ensure the safe working
- * Hand chain opening is formed with a radius for smooth operation



Product parameters

Model	rated load (t)	standard lifting height (m)	test load height (t)	hand pull (n)	lifting chain line number	lifting chain bar diameter (mm)	main dimensions				net weight (kg)
							A	B	C	D	
VC-B-0.5T	0.75	2.5	0.5	350	1	5	126	145	28	285	8.4
VC-B-1.0T	1	2.5	1	330	1	6.3	151	159	32	315	12
VC-B-1.5T	1.5	2.5	1.5	348	1	7.1	151	178	36	340	16.2
VC-B-2.0T	2	3	2	365	1	8	183	205	36	380	20
VC-B-3.0T	3	3	3	360	2	7.1	151	208	46	475	24
VC-B-5.0T	5	3	5	410	2	9	183	246	46	600	41
VC-B-10T	10	3	10	410	4	9	188	398	57	720	79
VC-B-15T	15	3	15	435	6	9	190	580	75	870	120
VC-B-20T	20	3	20	435*2	8	9	192	630	82	890	193
VC-B-30T	30	3	30	435*2	12	9	330	670	106	1000	220
VC-B-50T	50	3	50	435*2	22	9	410	900	130	1950	1092

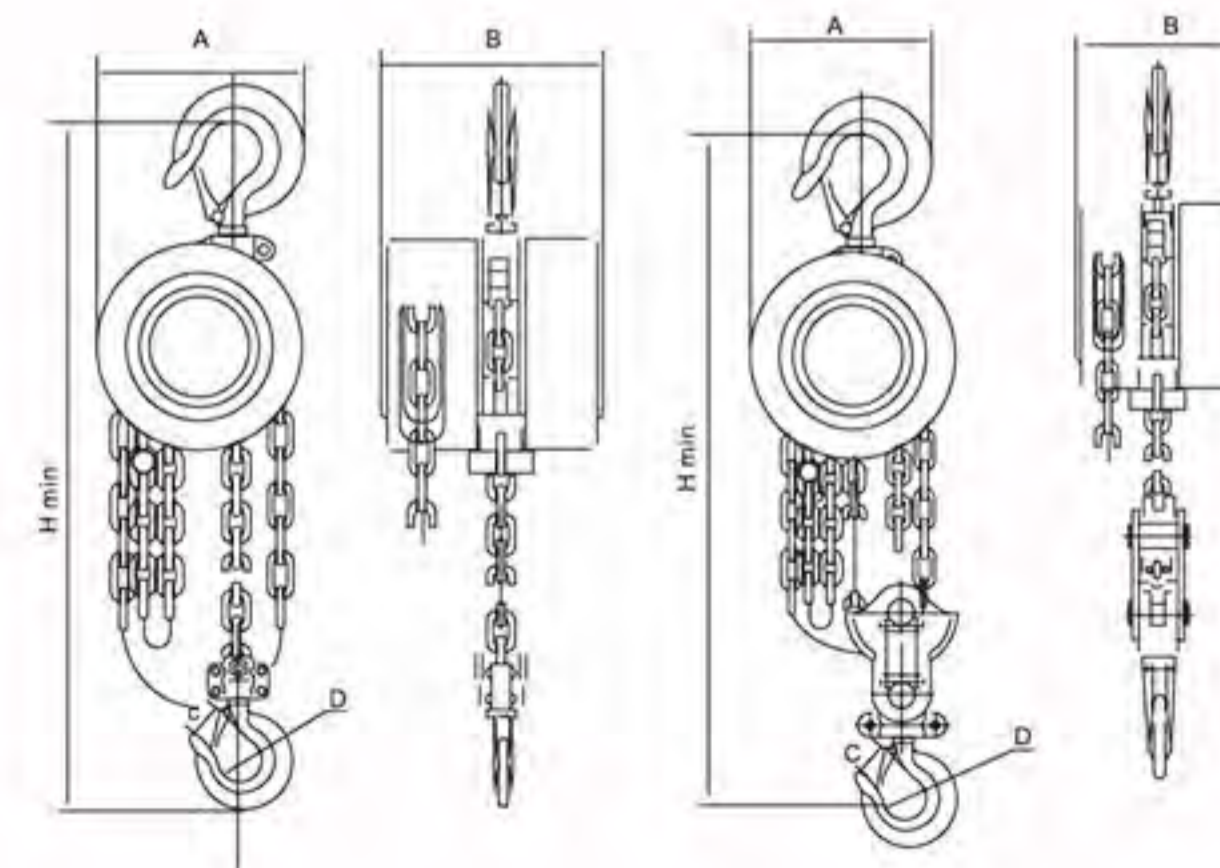
Product parameters

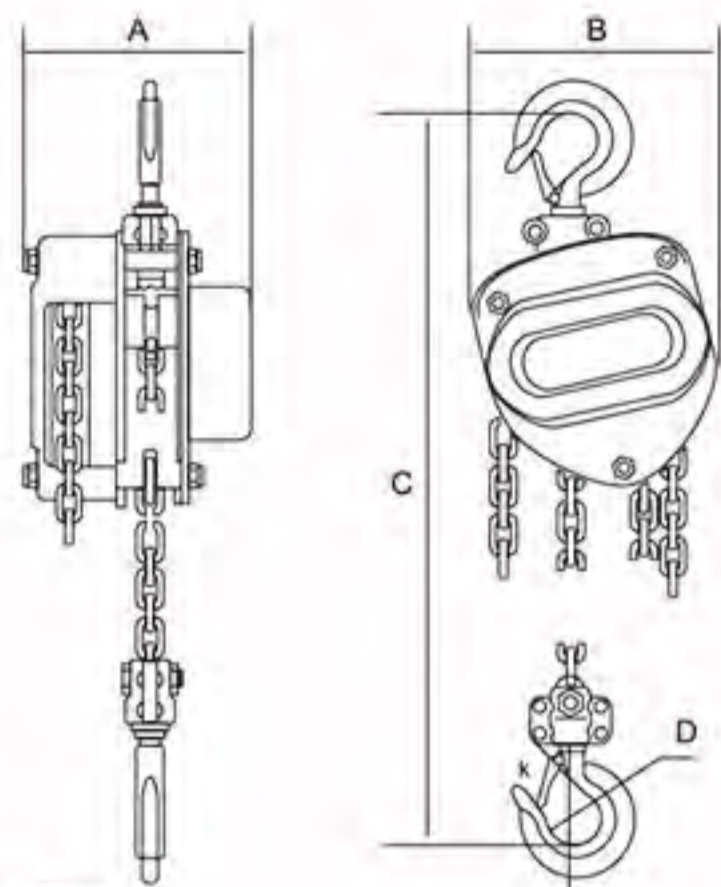
Model	HSZ-1/2	HSZ-1	HSZ-1 1/2	HSZ-2	HSZ-3	HSZ-5	HSZ-10	HSZ-15	HSZ-20	HSZ-30
Capacity t	0.5	1	1.5	2	3	5	10	15	20	30
Lift m	2.5	2.5	2.5	2.5	3	3	3	3	3	3
Test load KN	6.13	12.25	19.6	24.5	39.2	61.25	122.5	196	245	392
Headroom (Hook to Hook) Hmin	280	320	390	410	485	600	820	920	1040	1390
Chainpull to lift full load N	210	330	390	330	390	420	450	475	450	475
No. of load chain fall lines	1	1	1	2	2	2	4	6	8	12
Dimensions mm	A	120	142	178	142	178	120	358	415	580
	B	107	130	147	130	147	168	168	208	200
	C	23	27	31	35	39	45	57	57	75
Hook opening Dimensions mm	CI	26	30	34	38	42	48	65	65	85
	Net weight kg	7	10	15	14	24	36	75	117	164
	Gross weight kg	10	13	20	18	30	45	89	170	214
Carton size cm	30X25X17	30X25X19	33X30X22	33X30X20	40X30X24	50X33X25	60X50X27	75X49X77	75X45X77	100X99X90
Extra weight per meter of extra lift kg	1.5	1.7	2.3	2.5	3.7	5.3	9.7	14.5	19.4	29



HSZ CHAIN HOIST

HSZ series chain block is a kind of widely used and portable manual operating hoisting machine, it can be used in machine installation, products lifting and unloading in industry, agriculture, construction and mineral production. It is suitable to be used in the open air and no electric power works.





HS-VN CHAIN HOIST

HS-VN series chain block is a kind of widely used and portable manual operating hoisting machine. It can be used in machine installation, products lifting and loading, unloading in industry, agriculture, construction and mineral production. It is suitable to be used in the open air and no electric power works, HS-VN series chain hoist can be used with all kinds of hand trolley and used as hand lifting transport carriage. Characters Five product feature high durability and good appearance. 1. The product is safe and reliable in operation with minimum maintenance. 2. high efficiency in mechanism, labor saving. 3. light in weight and carry it easily. 4. Attractive appearance, small in size. 5. High durability

Product parameters

Model	HS-VN	HS-VN1	HS-VN1.5	HS-VN2	HS-VN3	HS-VN5	HS-VN10	HS-VN20	HS-VN30	HS-VN50
capacity(t)	0.5	1	1.5	2	3	5	10	20	30	50
standard lift(m)	2.5	2.5	2.5	2.5	3	3	3	3	3	3
running testload(t)	0.75	1.5	2.25	3	4.5	7.7	15	30	37.5	62.5
min distance between hooks	270	317	399	414	465	636	798	890	980	1300
chain pull to lift full load(n)	231	309	320	360	340	414	414	828	450*2	450*2
no.of load chain fall lines	1	1	1	1	2	2	4	8	12	22
diameter of load chain (mm)	6	6	8	8	8	10	10	10	10	10
dimensions(mm)	A	131	140	161	161	186	207	215		
	B	127	158	187	187	210	253	398	650	
	C	270	317	399	414	465	636	798	890	
	Hook opening	30	34	38	41	48	52	64	85	
net weight(kg)	11.25	11.5	17.4	22.2	26.2	37.7	72	160		

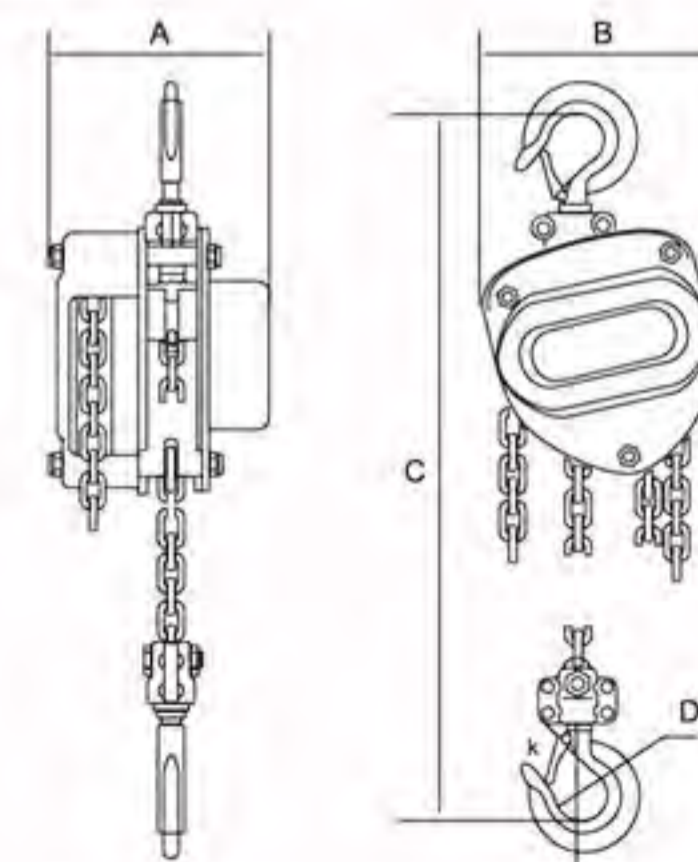
Product parameters

Model	HBSQ 0.5	HBSQ 1	HBSQ 1.5	HBSQ 2	HBSQ 2.5	HBSQ 3	HBSQ 5	HBSQ 10	HBSQ 20	
Capacity ton	0.5	1	1.5	2	2.5	3	5	10	20	
lift m	2.5 3	2.5 3	2.5 3	2.5 3	2.5 3	3 5	3 5	3 5	3 5	
Headroom (hook to hook) Hmin mm	280	300	360	380	430	470	600	730	1000	
Chainpull to lift load kgf	16	32	37	33	41	38	42	45	45	
Dimensions mm	A	142	142	178	142	210	178	210	358	580
	B	126	126	142	126	165	142	165	165	195
	C	24	28	32	34	36	38	48	64	82
	D	142	142	178	142	210	178	210	21	210
Net kg	9.5 10.5	10 11	15 16	14 15.5	28 30	24 31.5	36 47	68 88	155 192	



ANTI EXPLOSION HAND CHAIN HOIST

Anti-explosion hand chain hoist is a simply-used and easily-carried manual crane. Its blank are aluminum bronze and beryllium bronze. The shell is made of copper alloy material. Being high-temperature heated, the turning gear has high quality of wear resistance. Scope of application: Anti-explosion hand chain hoist can be widely used in dangerous environment where there are potential fire danger and explosions like the oil industry, oil depot, gas recovery, electric power and so on. There will not appear mechanical spark during its operation so as to prevent fire accidents and protect state property and personal safety.





NEW STYLE GCL HAND TROLLEY

New style GCL hand trolley with anti-collision function can move on I-beam by the hand chain. The distance between the wheel can be adjusted according to the requirements of I-beam width. Hand trolley with chain hoist can be suitable for many occasions like factories, mines, docks, warehouses, construction sites, etc.



Product parameters

Model		GCL1	GCL2	GCL3	GCL5	GCL10
rated load	(Kg)	1000Kg	2000Kg	3000Kg	5000Kg	10000Kg
experiment load	(Kg)	1500Kg	3000Kg	4500Kg	7500Kg	15000Kg
beam width	(mm)	64-203	88-203	100-203	114-203	125-204
Hand chain	(Kg)	4.8x25	4.8x25	4.8x25	4.8x25	4.8x25
net weight	(Kg)	11.9	16.3	25.7	37.9	62
packing weight	(Kg)	12.3	16.8	26.3	41	72
size	A	195	229	276	317	382
	B	210	245	285	330	402
	C	30	35	40	45	60
	D	35	45	50	60.5	85
	E	317	343	355	362	393
	F	34	28	32	32	32
	G	190	203	203	203	204

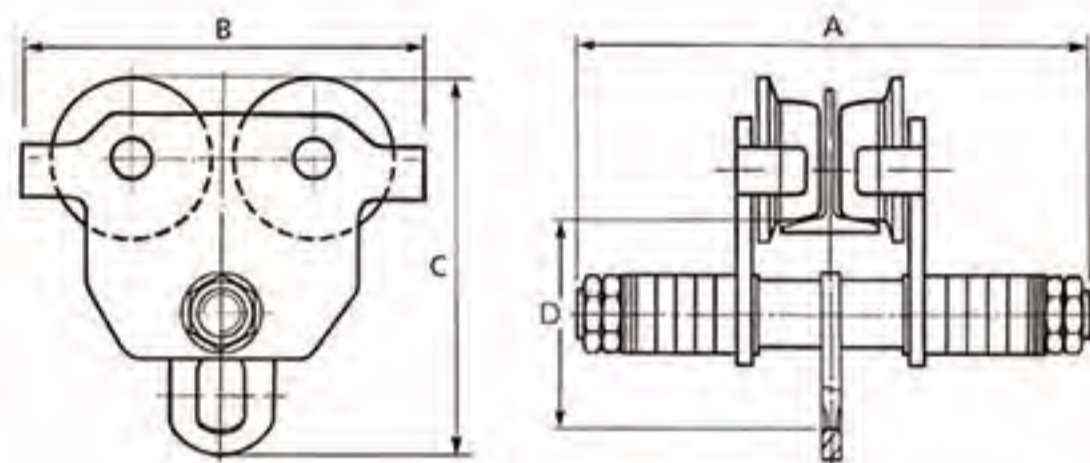
NEW STYLE GCT HAND PUSH TROLLEY

New style GCT hand push trolley with black paint surface treatment lasts long. Push the goods below the hand push trolley, then it will move. This hand push trolley is suitable for many occasions like factories, mines, docks, warehouses, construction sites, etc. It is especially suitable for no power supply working place.



Product parameters

Model		GCT1	GCT2	GCT3	GCT5	GCT10
rated load	(Kg)	1000Kg	2000Kg	3000Kg	5000Kg	10000Kg
experiment load	(Kg)	1500Kg	3000Kg	4500Kg	7500Kg	15000Kg
beam width	(mm)	64-203	88-203	100-203	114-203	125-204
net weight	(Kg)	8.2	12.6	21.9	34.2	60.7
packing weight	(Kg)	8.6	13.1	22.5	37.3	70.7
size	A	195	229	276	317	382
	B	210	245	285	330	402
	C	30	35	40	45	60
	D	35	45	50	60.5	85
	E	260	285	295	302	333
	F	34	28	32	32	32
	G	190	203	203	203	204



ELECTRIC TROLLEY ANTI EXPLOSION TROLLEY

With motor as the driver, with four wheels drive under I beam, combine with electric hoist or other crane tools, the electric trolley can be devised on the monorail or cantilever crane to be a electric transport trolley which can be widely used in factory, mine and warehouse to install the machine, lift the goods and fix maintenance. Its capacity is from 0.5T to 100T. Electric trolley is mainly used in machinery and equipment of infrastructure projects like electric power, ship, automobile manufacturing, building, road, bridge, metallurgical, mine, slope tunnel and well control and protection and so on.

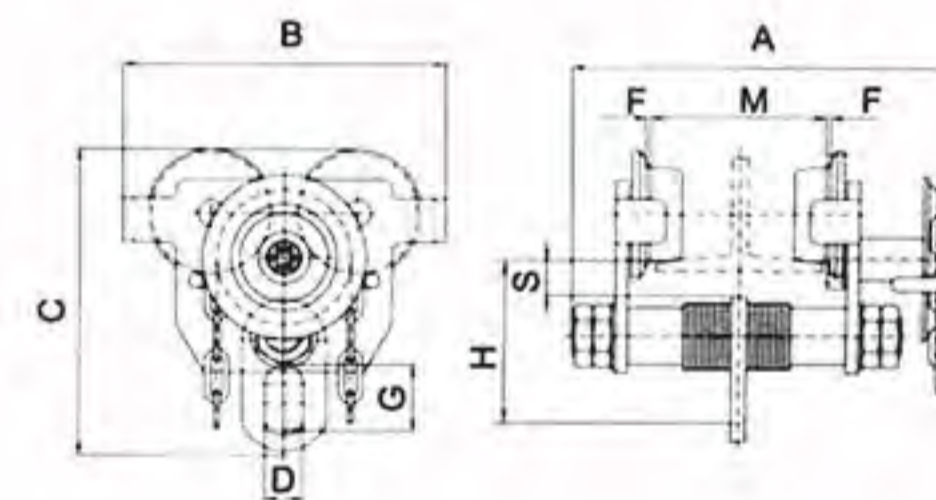
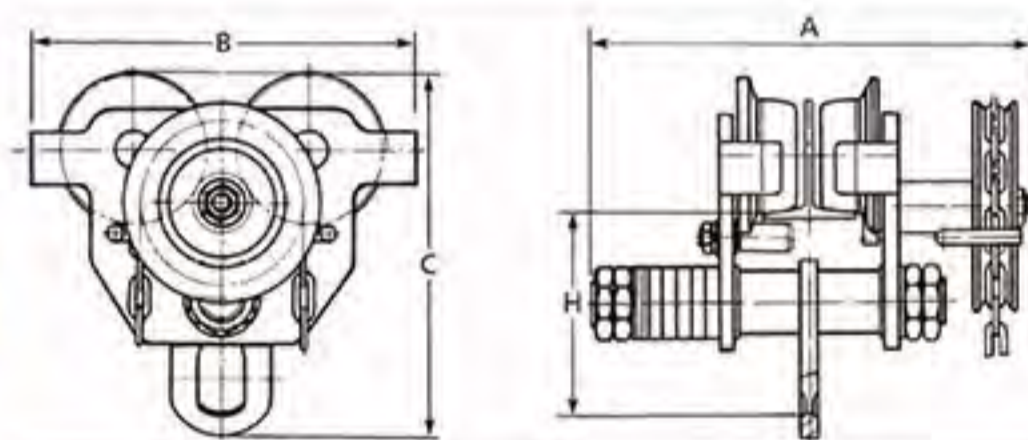
Product parameters

product code	05GCT	1GCT	2GCT	3GCT	5GCT	10GCT
Safe Working Load (lbs)	1,000(lbs)	2,000(lbs)	4,000(lbs)	6,000(lbs)	100,000(lbs)	20,000(lbs)
Adjustable Flange Width (in)	2.52-5.90(in)	2.52-8.00(in)	3.46-8.00(in)	4.00-12.00(in)	4.49-12.00(in)	4.49-12.00(in)
Dimensional Information (in)	A	9.75(in)	12.69(in)	13.19(in)	14.31(in)	15.07(in)
	b	8.50(in)	10.24(in)	11.81(in)	13.58(in)	15.55(in)
	C	7.67(in)	9.41(in)	11.26(in)	13.23(in)	15.47(in)
	D	4.33(in)	5.31(in)	6.34(in)	7.28(in)	8.66(in)
Minimum Radius Curve (ft)	2.95(ft)	3.28(ft)	3.60(ft)	4.26(ft)	4.59(ft)	5.57(ft)
Net Weight (bs)	20(lbs)	32(lbs)	50(lbs)	82(lbs)	123(lbs)	215(lbs)

Product parameters

Lifting weight	Motor power (kw)	Running speed (m/min)	Work efficiency (%)	No-load current (A)	Load current (A)	I-beam Range GB706-88	Net weight (Kg)
0.5t	0.3	20	40	0.9	1.5	12.6-28b	5
1t	0.3	20	40	0.9	1.5	12.6-28b	8.7
2t	0.3	20	40	0.9	1.5	12.6-28b	13.9
3t	0.4	18	40	1	1.5	20b-45b	23.5
5t	0.4	18	40	1	1.5	20b-45b	40

GCL GEARED TROLLEY



Product parameters

product code	1GCL	2GCL	3GCL	5GCL	10GCL	20GCL	30GCL
Safe Working Load (lbs)	2,000(lbs)	4,000(lbs)	6,000(lbs)	10,000(lbs)	20,000(lbs)	40,000(lbs)	60,000(lbs)
Adjustable Flange Width (in)	2.52-8.00(in)	3.46-8.00(in)	4.00-8.00(in)	4.49-8.00(in)	4.92-8.00(in)	8.00-8.00(in)	***
Dimensional Information (in)	A	15.56(in)	15.63(in)	17.69(in)	18.25(in)	18.75(in)	25.48(in)
	b	10.24(in)	11.81(in)	13.58(in)	15.55(in)	17.91(in)	25.28(in)
	C	9.41(in)	11.26(in)	13.23(in)	15.47(in)	19.68(in)	24.49(in)
	D	5.31(in)	6.34(in)	7.28(in)	8.66(in)	11.02(in)	12.40(in)
Minimum Radius Curve (ft)	3.28(ft)	3.60(ft)	4.26(ft)	4.59(ft)	5.57(ft)	14.76(ft)	14.76(ft)
Net Weight (bs)	44(lbs)	62(lbs)	95(lbs)	136(lbs)	234.00(lbs)	565(lbs)	573(lbs)
Std. length of hand chain	9(ft)	9(ft)	9(ft)	9(ft)	9(ft)	9(ft)	9(ft)

Product parameters

Model	GCT0.5	GCT1	GCT1.5	GCT2	GCT3	GCT5	GCT10
Rated load t	0.5	1	1.5	2	3	5	10
Running test load t	0.735	1.471	2.208	2.942	4.413	6.129	12.258
Min bend radius mm	0.9	1	1	1.1	1.3	1.4	1.7
Recommended I beam mm	68 94	68 100	88 118	94 124	116 110	142 180	142 180
Net weight kg	4.8	7.7	12.8	12.8	24.5	43	88

VIC WIRE ROPE LEVER HOIST

Adjustable handle for easy operation

Backward lever & Forward lever placed in tandem providing a slim design and assuring power transfer along the center.

Spare shear pins
 Two spare shear pins located in the carrying handle

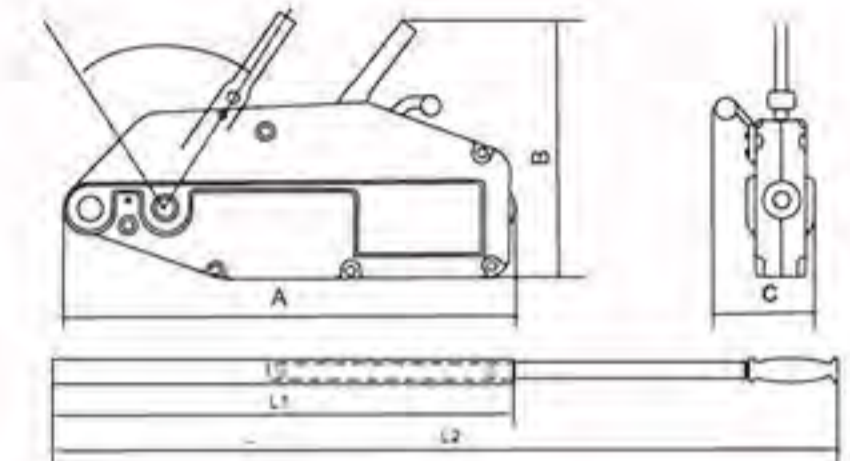
Built-in shearing pin prevent overload. It functions at approx. 50% overload and the pins can be replaced without removing the load

Stamped serial number for easy identification.

Anchor bolt offers numerous and versatile connection possibilities with load hooks, sling ropes and sling chains

High strength cast aluminum alloy body
 Light weigh, simple to operate. Smooth contour design with large flat bottom surface for increased stability in horizontal as well as vertical working position.

Galv. steel wire rope mounted on a reel
 every ropes is operationally tested to 150% of the rated capacity and is issued with an individual test certificate.



Wire rope pulling hoist is a kind of small-sized, compact, hand-operated lifting tool. It features light weight, compact structure, wide range of applications and easy maintenance, This type of hoist is suitable to use outdoor sites under adverse circumstances.

The housing of the hoist is made of aluminum alloy, thus producing adequate strength, yet light in weight and making it quite portable, while the component parts inside are made of high quality alloyed steel with advanced technology. Strict quality control test have been carried out on all the component parts.

As for the major parts subject to high tension are tested according to ISO standards even with overloading to ensure top quality.

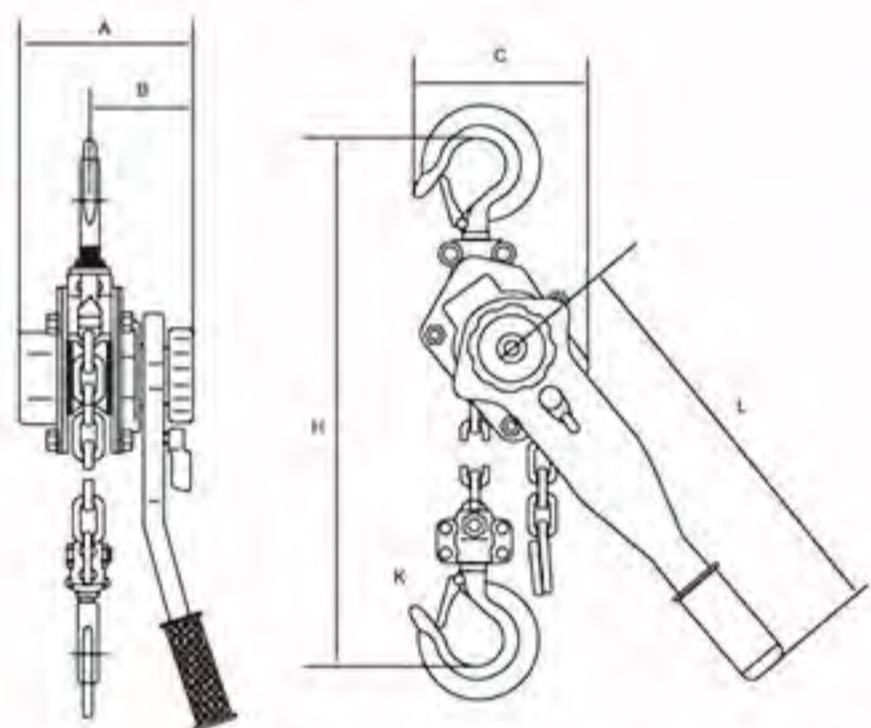
Product parameters

Item	Model	HX-0.8TA	HX-1.6TA	HX-3.2TA	HX-5.4TA
Rated capacity (kg)		800	1600	3200	5400
Rated capacity (N)		343	441	441	745
Rated forward travel (mm)		≥ 52	≥ 55	≥ 28	≥ 30
Rope diameter (mm)		8.3	11	16	20
Wire rope safety load capacity		5	5	5	5
Safety factor static load capacity		5	5	5	5
Max travelling load (kg)		1200	2400	4000	8000
Net weight (kg)		6.5	12.5	28	56.5
Max overall size (mm)	A	426	545	660	930
	B	235	280	325	480
	C	64	97	116	152
L1 (mm)			80	80	68
L2 (mm)		80	120	120	112



VA LEVER BLOCK

Lever chain block is generally used in underground work and the depth is about eight metres. One meter to one hundred meter lifting height can be customized. There are four advantages: ① It is easy to use. ② Maintenance is easy, just regular oiling. ③ Beautiful shape. ④ Widely used in many occasions like factories, mines, construction sites, piers, docks, warehouses, etc.



Product parameters

Model	0.75Ton	1.5Ton	3Ton	6Ton	
Capacity t	0.75	1.5	3	6	
Standard Lift m	1.5	1.5	1.5	1.5	
Running test load t	9.2	18.4	36.8	73.5	
Effort required to lift max load N	148	216	336	345	
Load lift diameter mm	6.3	7.1	9	9	
Net weight kg	6.6	11.65	21.1	23.7	
Dimensions mm	A	155	170	198	198
	B	128	147	182	230
	C	310	350	470	590
	D	240	365	365	365
	G	28	36	47	49

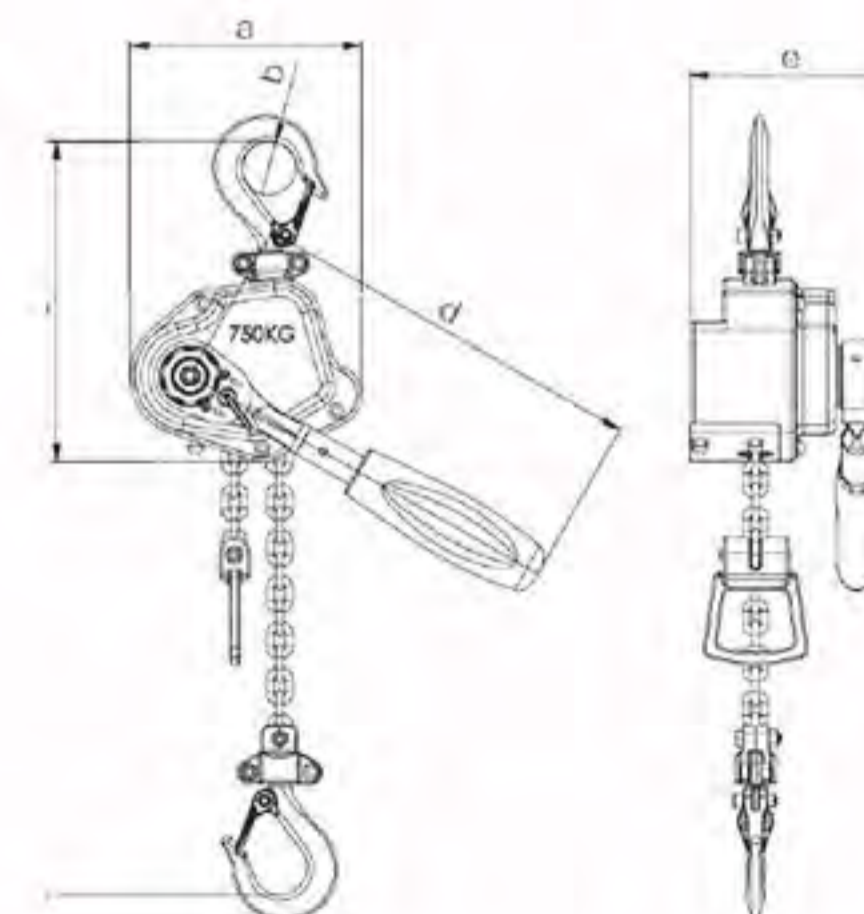
Product parameters

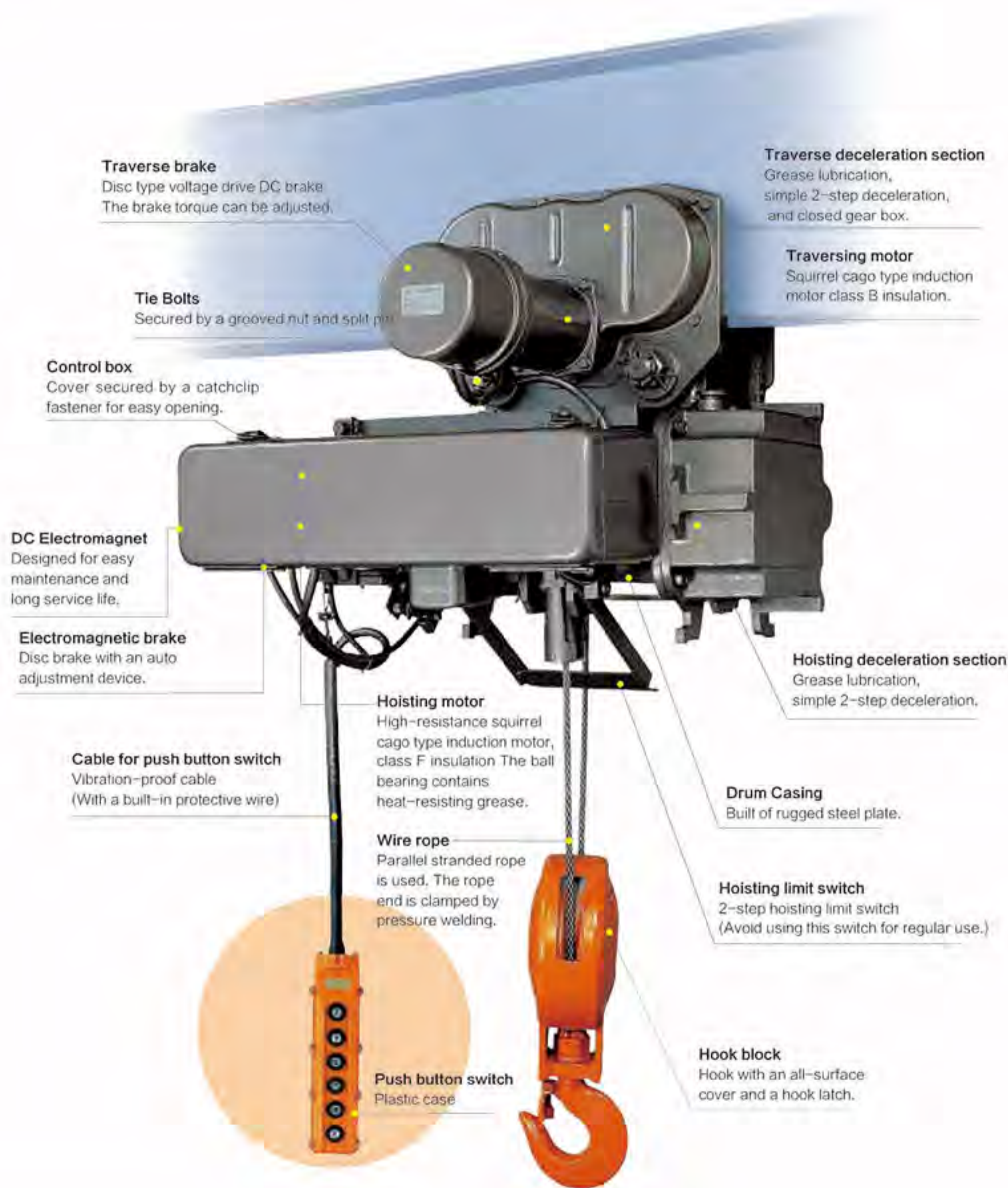
Model	Working ability Kn	The test load Kn	Diameter of chain mm	Contraction length mm	Shrink ling mm	Lift mm	Long handle mm	Dead weight kg	Weight added with per meter higher
MG-0.75	7.5	11.3	5	300	1800	1500	230	4.0	0.55
MG-1.5	15	22.5	5	350	1850	1500	230	5.0	1.10
MG-3	30	45.0	6	350	1850	1500	430	8.5	0.70
MG-4	40	60.0	6	580	2080	1500	530	14.5	2.10
MG-8	80	90.0	6	650	2150	1500	730	18.0	2.80



ALUMINUM ALLOY LEVER HOIST

Aluminum alloy lever hoist is suitable for factories, mines, construction site, wharf, transportation and similar various occasions. It has a very good anticorrosive property. And it can be used under special environment for every aluminum alloy lever hoist gets through the 2000 hours salt spray test.





Product parameters

Specifications		Capacity (t)		Lift (m)		Wire rope		Rope specification		Hoisting				Traversing																								
										Speed (m/min)		Motor		Mono-rail, Low hearoom		Double-rail																						
										50 Hz	60 Hz	50 Hz	60 Hz	Speed (m/min)	Output (kW)	Poles	Speed (m/min)	Output (kW)	Poles																			
Type	Capacity (t)	Low	High	2 falls	4 falls	6×W (19) B class JIS-G3525	6	7.2	3	3.6	4	21	25	0.22	0.26	-	-	-	-																			
																				R	2	6	12	φ10	φ8	6	7.2	2.2	2.6	4	21	25	0.5	0.6	-	-	-	-

1 Rope specification of 1t 2falls is 6XFi(29)

Note 1:High lift models(Low-head type 1~2.8t,Double rail type 2.8t)are not available.

Standard Specification

Power supply... 3-phase 200V 50/60Hz control 200V, 220V 60Hz control 220V (400V class is also available)... 3-phase 400V 50/60Hz control 200V, 440V 60Hz control 220V
3-phase 380V 50Hz control 48V(100V and 24V are also available)

Operating method... Push button switch operations

	1/2 ~ 3t
Suspended type	2 Points
Frame mounted type	UD
Motor operated traversing hoist	6 Points
	UDEWSN

Rating... 30 min.(JIS C 9620)

Power supply system... Both trolley feeding and cable feeding are available. However, neither trolley nor cable is attached.

Enclosure... Simplified outdoor type(JISC 0920, Equivalent to IP44)

(Rainproof cover is required, when it is used in the open air.)

Applicable standard... JISC 9620 electric hoist/crane structure standard

Color coating... Main body: Metallic gray(Equivalent to MunsellN4.0)

Hook block: Munsell 7.5 YR7/14

Pushbutton: Equivalent to Munsell 7.5 YR7/14

Ambient air temperature... -10°C to 40°C (Non congelation)

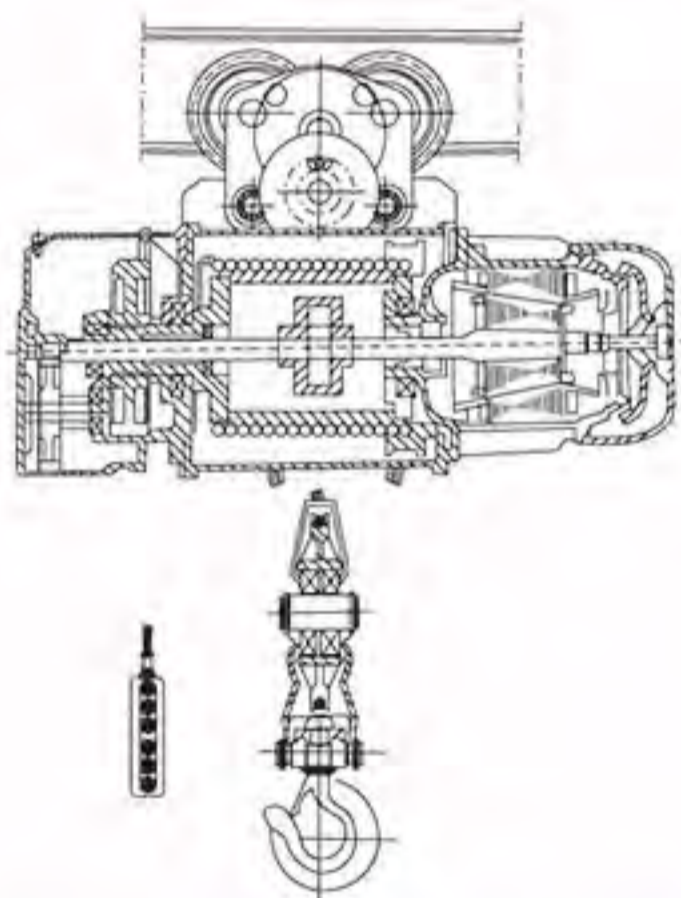
Ambient relative humidity... 90% or less(Non condensing)

Note: These hoists cannot be used for lift(elevator for passengers.)



CDI MDI TYPE ELECTRIC HOIST

CDI(MDI)type, wire rope electric Hoist is a kind of small lifting equipment. It can mounted on single beam overhead cranes, gantry cranes, CDI(MDI)Type, Electric hoist as only one normal speed which can satisfy normal application. It is widely used in factories, mines, haybours, wirehouses, cargo storage area and shops, essential in raising working efficiency and improving working conditions.



Product parameters

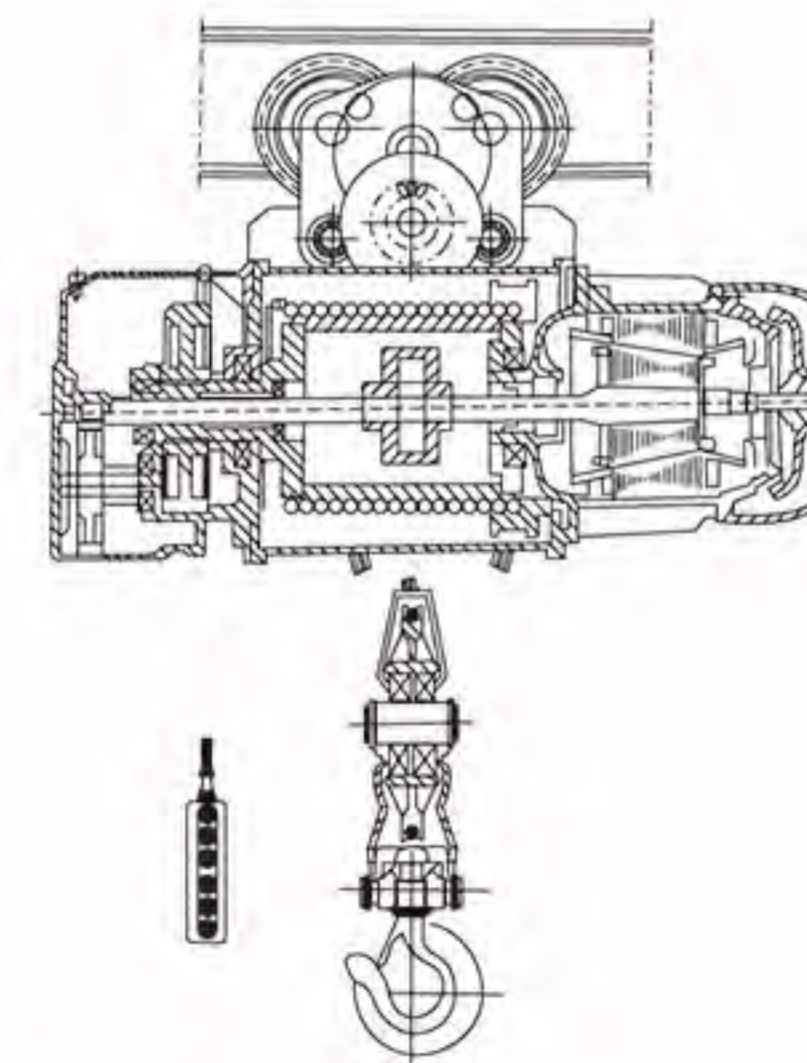
Model		0.25 Ton	0.5 Ton	1 Ton	2 Ton	3 Ton	5 Ton	10 Ton
Capacity(吨 t)		0.25	0.5	1	2	3	5	10
Standard lift(米 m)		3-9	6-12	6-30	6-30	6-30	6-30	9-30
Lifting speed (m/min)			8.8/0.8	8.8/0.8	8.8/0.8	8.8/0.8	8.8/0.8	7.7/0.7
Running Speed(m/min)		20(30)	20(30)	20(30)	20(30)	20(30)	20(30)	20(30)
Wire Rope type			6×37-4.8-180	6×37-7.4-180	6×37-11-155	6×37-13-170	6×37-15-200	6×37-17.5-200
I Beam Track Type		16-22b	16-28b	16-28b	20a-32c	20a-32c	25a-63c	28a-63c
Motor	Model	ZD12-4	ZD21-4 ZDS0.2/0.8	ZD22-4 ZDS0.2/1.5	ZD31-4 ZDS0.4/3	ZD32-4 ZDS0.4/4.5	ZD41-4 ZDS0.8/7.5	ZD51-4 ZDS1.5/13
	power (kw)	0.4	0.8 0.2/0.8	1.5 0.2/1.5	3 0.4/3	4.5 0.4/4.5	7.5 0.8/7.5	13 1.5/13
	R.P.M (r/min)	1400	1380	1380	1380	1380	1380	1380
					3P	380V	50HZ	

Product parameters

Model		0.25 Ton	0.5 Ton	1 Ton	2 Ton	3 Ton	5 Ton	10 Ton
Capacity(吨 t)		0.25	0.5	1	2	3	5	10
Standard lift(米 m)		3-9	6-12	6-30	6-30	6-30	6-30	9-30
Lifting Height(m/min)			8.8/0.8	8.8/0.8	8.8/0.8	8.8/0.8	8.8/0.8	7.7/0.7
Running Speed(m/min)		20(30)	20(30)	20(30)	20(30)	20(30)	20(30)	20(30)
Wire Rope type			6×37-4.8-180	6×37-7.4-180	6×37-11-155	6×37-13-170	6×37-15-200	6×37-17.5-200
I Beam Track Type		16-22b	16-28b	16-28b	20a-32c	20a-32c	25a-63c	28a-63c
Motor	Model	BZD,12-4	BZD,21-4	BZD,22-4	BZD,31-4	BZD,32-4	BZD,34-4	BZD,51-4
	Capacity(kw)	0.06	0.2	0.2	0.4	0.4	0.8	0.8×2
	R.P.M (r/min)	1400	1380	1380	1380	1380	1380	1380
				3P	380V	50HZ		

EXPLOSION PROOF ELECTRIC HOIST

- A. The standard lifting height is 6,9,12,18,24,30and 36meters
- B. The lifting speed can be single speed or double speed even multi—speed with frequency inverters
- C. The suitable rail for the low head room hoist H—type rail, and I—type rail is also available
- D. The recommended rope reeving of this kind of hoist is 2/1,4/2 or 4/1
- E. The normal travelling speed is 20m/min, and 12.5,16,25,32m/min by request
- F. The normal rial gauge of the double—girder hoist is 1200,1500,1800,2100and2300mm



MINI ELECTRIC HOIST



Product parameters

Model	PA 200	PA 250	PA 400	PA 500	PA 600	PA 800	PA 1000
Rated Volt(V~)	230-50HZ 53 20% 10min						
Input Power(W)	450	500	750	900	1050	1300	1600
Rated Lifting(kg)	100/200	125/250	200/400	250/500	300/600	400/800	500/1000
Lifting height(m)	12/6	12/6	12/6	12/6	12/6	12/6	12/6
lifting speed(m/min)	10/5	10/5	10/5	10/5	10/5	10/5	10/5
packing dimensions(cm)	44x38 x20	44x37 x25	44x37 x25	44x37 x25	53x45 x19	53x28 x35	53x28 x35
G w/n w	24/22	25/24	33/25	36/34	41/38	38/36	40/38
Quan/ctm(pcs)	2	2	2	2	2	1	1

Product parameters

Model	maximum length	maximum width	The minimum distance between two hooks
BHH-0.5	260	236	480
BHH-1	260	236	480
BHH-2	260	236	500
BHH-3.2	270	260	680
BHH-5	270	260	700
BHH-7.5	300	290	800
BHH-10	300	290	800
BHH-20	390	500	1000
BHH-30	460	500	1000

Product parameters

Model	Weight (ton)	Weight (kg)	Lifting speed (M / min)	Motor power (kw)	Power Supply	Continuous load rate	Chain specification	The chain number
BHH-0.5	0.5	45	3.5	0.5	Three-phase 380V 50Hz	30min	6x18	1
BHH-1	1	48	3.5				8x24	1
BHH-2	2	54	1.75				10x30	1
BHH-3.2	3.2	60	0.9	2				
BHH-5	5	65	0.9	2				
BHH-7.5	7.5	72	0.6	0.75		40% Working system	3	3
BHH-10	10	93	0.40		4			
BHH-20	20	230	1.00	2.2	18x54		4	4
BHH-30	30	300	0.66				6	



EXPLOSION PROOF CHAIN HOIST

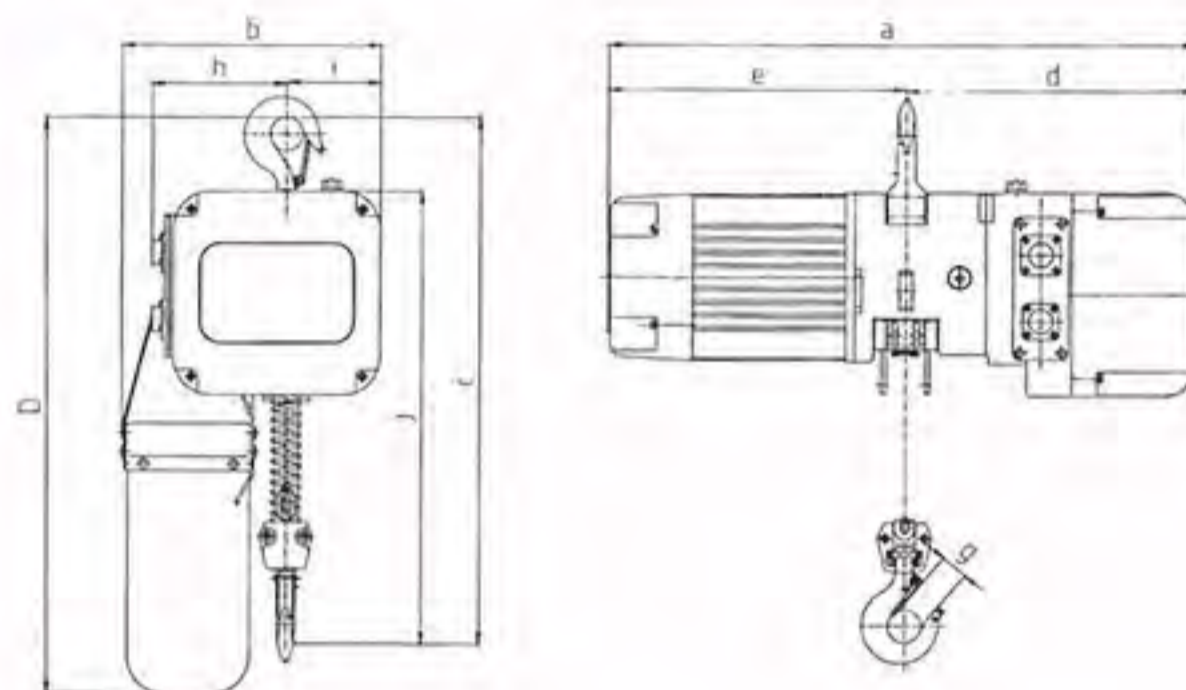
BHH model Explosion-proof electric chain hoist is the most ideal substitute of Small tonnage, low lifting height of M wire rope electric hoist

They are often installed on the overhead beams orbit, or hanging on the fixed frame and special sling lifting goods and equipment etc., they are widely used to factories, mines, warehouse, wharf, construction site, shopping malls, hotels and other industries.

Particularly suited to low situation and the existing dust, damp rot gas environment, etc. Explosion-proof chain electric hoist is a reference and absorb the designed structure of the advantages of similar products at home and abroad BHH type explosion-proof electric chain hoist with convenient maintenance, practical and reliable, low cost, etc



PDH TYPE ELECTRIC HOIST



Product parameters

Type	PDH-A-0.5	PDH-A-1	PDH-A-2	PDH-A-2.5	PDH-A-3	PDH-A-5
Capacity (t)	0.5	1	2	2.5	3	5
Standard Lifting Height	3					
(m/min) Lifting Speed	7.2	5.8	3.0	5.0	5.0	2.6
Power (Kw)	0.9	1.1	1.1	3.0	3.0	3.0
Voltage (V)	380					
Frequency (Hz)	50					
Chain Turns	1	1	2	1	1	2
Chain Specification	φ6.3×19	φ8×24	φ8×24	φ11.2×34	φ11.2×34	φ11.2×34
Test Load (t)	0.625	1.25	2.5	3.125	3.75	6.25
New Weight (Kg)	41	45	53	108	110	130
Weight Added With 1m Higher	1.1	1.4	2.8	2.8	2.8	5.6

Product parameters

Capacity (t)	Model	C	D	a	b	d	e	g	h	i	j
0.5	PDH-A-0.5	495	610	592	276	273	319	31	142	102	420
1	PDH-A-1	530	630	592	276	273	319	38	142	102	430
2	PDH-A-2	590	780	592	276	273	319	45	185	165	482
2.5	PDH-A-2.5	595	780	694	430	336	358	45	185	165	487
3	PDH-A-3	595	780	694	430	336	358	45	185	165	487
5	PDH-A-5	860	870	694	430	336	358	61	240	110	665



STAGE CHAIN HOIST

Our stage hoist is suitable for large-scale performance occasion, lifting light frame, the speaker group and large set device. It is also designed for other occasions: Installation of neon lights advertising CARDS, small construction site. You only put the hook on I-beam, then you can hand it very well. It is very convenient to use the stage hoist. Single chain and 1 ton's speed is 2 m/min Circular symmetric structure Waterproof design Overweight protect Guidance of steel chain cover Header and chain knot protection Eight times insurance coefficient of lifting chain 36v indirect control method



Product parameters

Model	Capacity	Voltage	Phase number	Chain length (meter)	No. of load chain fall lines	Yang Su (M/min)	Horsepower (Kw)	Chain diameter (mm)
HCH-500	500	220 380 440	3	3	1	2	1.5	6.3
HCH-1000	1000	220 380 440	3	3	1	2	2	7.1
HCH-2000	2000	220 380 440	3	3	2	2	2	7.1

Shell: it is made of light aluminum alloy shell, light but hard. The cooling fin is specially designed to ensure quick heat dissipation with the rate up to 40% and continuous service. The integral enclosed structure is applicable to places like chemical plant and electroplate factory.

Side magnetic braking device: The magnetic force generator is the latest design which is featured for generating magnetic force. It allows instant brake as soon as the electric power is cut off. Thus the braking safety while loading is guaranteed.

Limit switch: The limit switch device is installed where the weight is lifted on and off to make the motor to stop automatically so as to prohibit the chains from exceeding for safety.

Chain: The chain shall adopt the imported FEC80 ultra heat-treatable aluminum alloy chain. It can be safely used in poor environments such as rain, sea water and chemicals.

Hook: it is hot forging with perfect strength that is hard to break. The operation safety of the lower hook is ensured by its 360 degrees rotation and safety tongue piece.



Support frame: The loading Support frame consists of two steel plates, which is extremely sturdy.

Transformer: 24V/36V transformer device. This device is used to prohibit unexpected accidents caused by electric leakage and guarantees the safe use while raining.

Electromagnetic contactor: Electromagnetic contactor can be used safely with high frequency.

Mechanical braker Dual braking system is safe and reliable.

Inverse phase sequence protecting device: it is the special electrical installation which controls the circuit not to work in case of wiring error in the power supply.

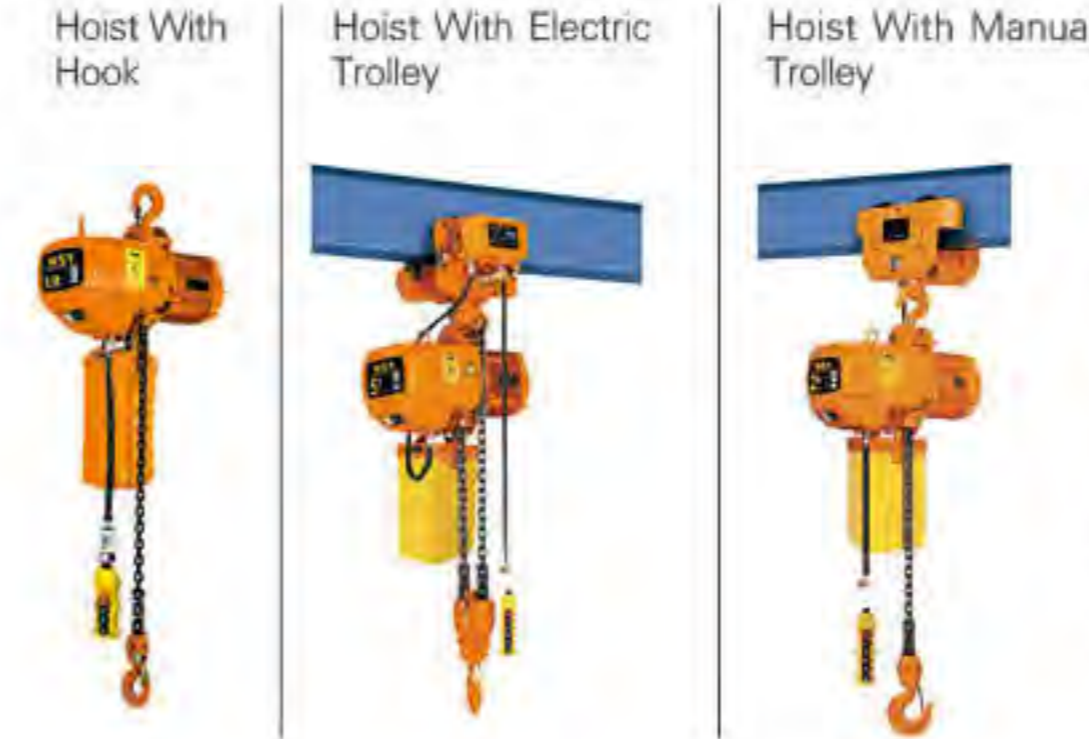
Push button: Waterproof push button is applied. It is light and durable.

Standard Fittings Chain bag (1) Control cable (3m) Push-button switch (1)

HSY 0.5-01 L

TYPE

It is the General representation form of the hoist with Hook, Hoist with Electric Trolley and Hoist with Manual Trolley.



RATED CAPACITY

CODE	RATED CAPACITY	Code	NO. of Load Chain
0.5	0.5t	01	1
01	1t	02	2
1.5	1.5t	03	3
02	2t	04	4
2.5	2.5t	06	6
03	3t	08	8
05	5t	10	10
7.5	7.5t		
10	10t		
15	15t		
20	20t		
25	25t		

- S** Single speed
- D** Dual speeds
- L** Low clearance
- LD** Low clearance double speed

Electromagnetic braking and mechanical braking double brake system, safe and reliable

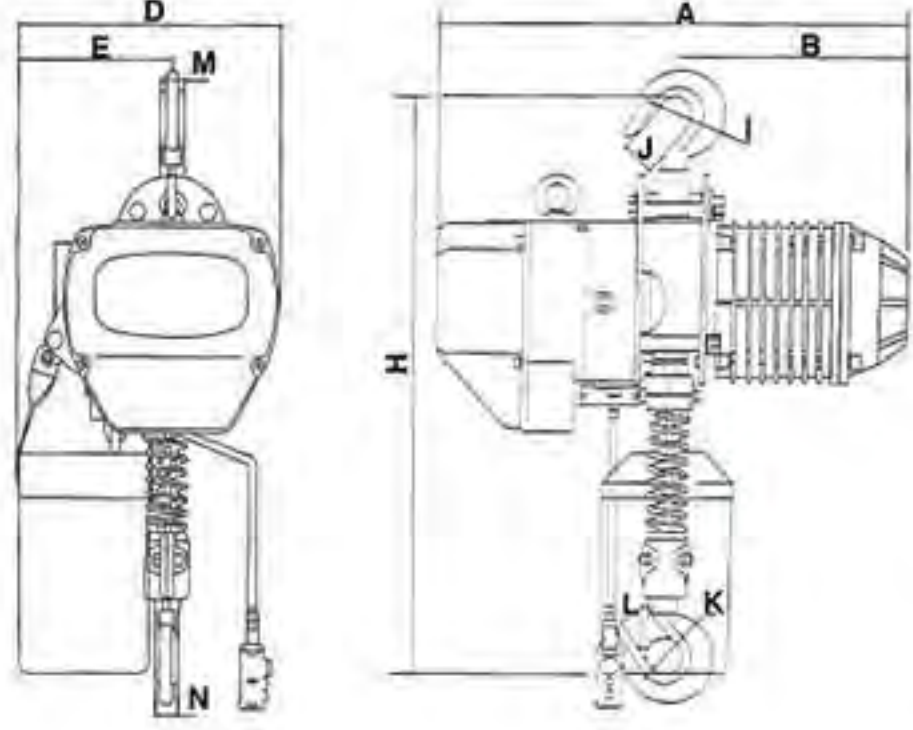
Technical Parameters

Model	HSY										
	0.5-01S	01-01S	01-02S	1.5-01S	02-01S	02-02S	2.5-01S	03-01S	03-02S	03-03S	05-02S
Capacity(Ton)	0.5	1	1	1.5	2	2	2.5	3	3	3	5
Lifting Speed(m/min)	7.2	6.8	3.6	8.8	6.6	3.4	5.6	5.6	3.3	2.2	2.8
Motor Power(kw)	1.1	1.5	1.1	3.0	3.0	1.5	3.0	3.0	3.0	1.5	3.0
Rotation speed(r/min)	1440										
Insulation Grade	F Level										
Travelling speed(m/min)	Slow 11m/min & Fast 21m/min										
Power Supply	3-Phase 380V 50 Hz										
Control Voltage	24V 36V 48V										
NO. of Load Chain	1	1	2	1	1	2	1	1	2	3	2
Spec. of Load Chain	φ6.3	φ7.1	φ6.3	φ10.0	φ10.0	φ7.1	φ11.2	φ11.2	φ10.0	φ7.1	φ11.2
Net Weight (kg)	47	65	53	108	108	73	115	115	131	85	145
I-Beam(mm)	75-125	75-178	75-178	82-178	82-178	82-178	100-178	100-178	100-178	100-178	112-178

Technical Parameters

Model	HSY										
	0.5-01D	01-01D	01-02D	1.5-01D	02-01D	02-02D	2.5-01D	03-01D	03-02D	03-03D	05-02D
Capacity(Ton)	0.5	1	1	1.5	2	2	2.5	3	3	3	5
Lifting Speed(m/min)	7.2/2.4	6.9/2.3	3.6/1.2	8.8/2.9	6.6/2.2	3.3/1.1	5.6/1.8	5.6/1.8	3.3/1.1	2.2/0.8	2.8/0.9
Motor Power(kw)	1.1/0.37	1.8/0.6	1.1/0.37	3.0/1.0	3.0/1.0	1.8/0.6	3.0/1.0	3.0/1.0	3.0/1.0	1.8/0.6	3.0/1.0
Rotation speed(r/min)	1440										
Insulation Grade	F Level										
Travelling speed(m/min)	Slow 11m/min & Fast 21m/min										
Power Supply	3-Phase 380V 50 Hz										
Control Voltage	24V 36V 48V										
NO. of Load Chain	1	1	2	1	1	2	1	1	2	3	2
Spec. of Load Chain	φ6.3	φ7.1	φ6.3	φ10.0	φ10.0	φ7.1	φ11.2	φ11.2	φ10.0	φ7.1	φ11.2
Net Weight (kg)	54	75	60	128	128	83	135	135	151	95	165
I-Beam(mm)	75-125	75-178	75-178	82-178	82-178	82-178	100-178	100-178	100-178	100-178	112-178

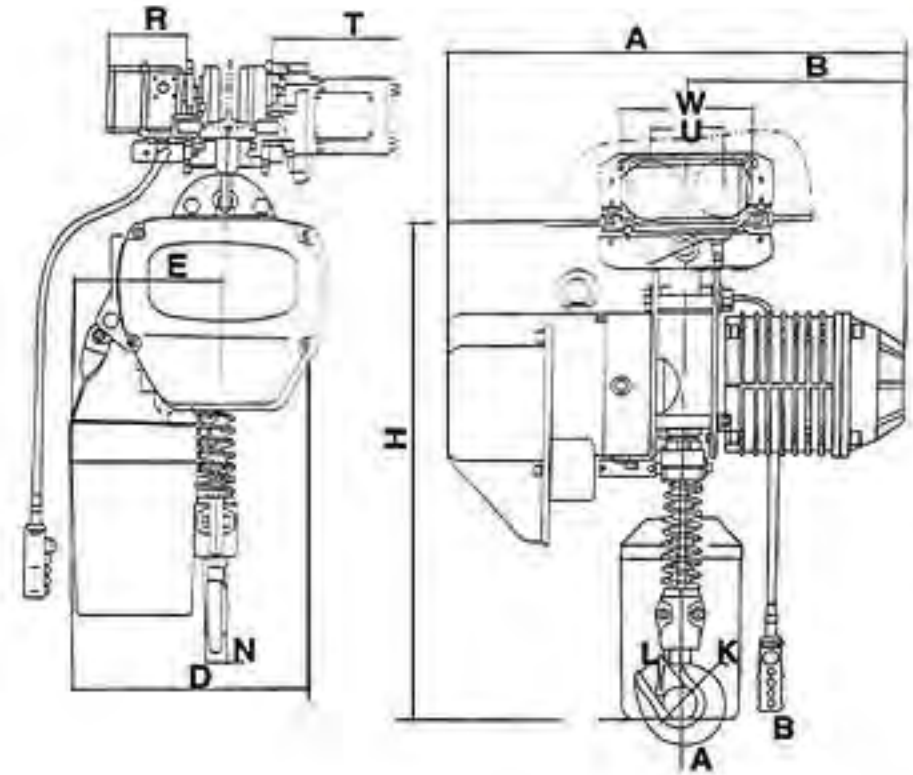
Nonstandard power supply can be customized
 1 The working voltage of custom: The 3 phase, 220V-690V 50/60Hz
 2 The control voltage can be customized: 24V/36V/48V



Hoist With Hook

Model	Unit(mm)				
	H	A	B	D	E
HSY0.5-01S	530	460	230	288	165
HSY0.5-01D	530	545	260	288	165
HSY01-01S	650	520	260	300	176
HSY01-01D	650	582	280	300	176
HSY01-02S	575	460	230	288	165
HSY01-02D	575	545	260	288	165
HSY1.5-01S	800	615	295	430	265
HSY1.5-01D	800	670	313	430	265
HSY02-01S	800	615	295	430	265
HSY02-01D	800	670	313	430	265
HSY02-02S	835	520	260	300	236
HSY02-02D	835	582	280	300	236
HSY2.5-01S	845	615	295	430	265
HSY2.5-01D	845	670	313	430	265
HSY03-01S	845	615	295	430	265
HSY03-01D	845	670	313	430	265
HSY03-02S	950	615	295	430	320
HSY03-02D	950	670	313	430	320
HSY03-03S	950	520	260	350	205
HSY03-03D	950	582	280	350	205
HSY05-02S	1030	615	295	430	325
HSY05-02D	1030	670	313	430	325

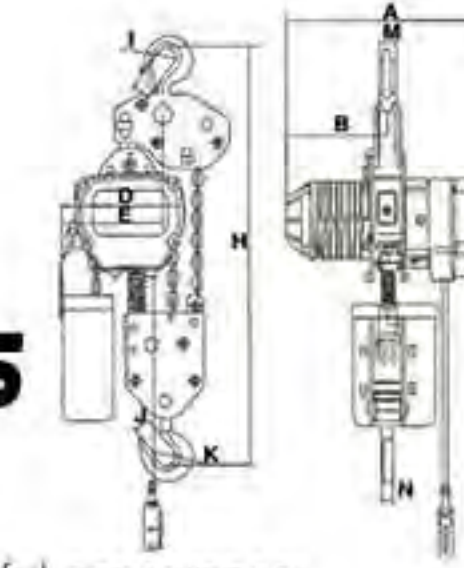
Hoist With Electric Trolley



Model	Unit(mm)				
	H	A	B	D	E
HSY0.5-01S	635	460	230	288	165
HSY0.5-01D	635	545	260	288	165
HSY01-01S	650	520	260	300	176
HSY01-01D	650	582	280	300	176
HSY01-02S	660	460	230	288	165
HSY01-02D	660	545	260	288	165
HSY1.5-01S	770	615	295	430	265
HSY1.5-01D	770	670	313	430	265
HSY02-01S	770	615	295	430	265
HSY02-01D	770	670	313	430	265
HSY02-02S	815	520	260	300	236
HSY02-02D	815	582	280	300	236
HSY2.5-01S	830	615	295	430	265
HSY2.5-01D	830	670	313	430	265
HSY03-01S	830	615	295	430	265
HSY03-01D	830	670	313	430	265
HSY03-02S	930	615	295	430	320
HSY03-02D	930	670	313	430	320
HSY03-03S	940	520	260	350	205
HSY03-03D	940	582	280	350	205
HSY05-02S	1015	615	295	430	325
HSY05-02D	1015	670	313	430	325

7.5T

PRODUCT FEATURES



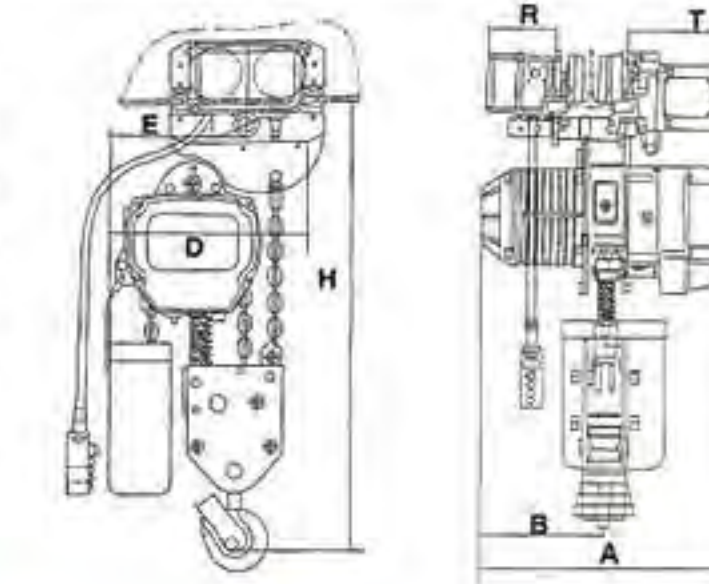
Our hoist is made of high-strength alloy, consists of beautiful appearance, compact mechanism, small in size and light in weight. And we use double-gear drive, helical gear drive when it works under fast speed, so that the hoists can drive smoothly with low noise. The components and parts of our hoist is high-strength as well.

The high-strength alloy on the components and parts is going through multiple special technology for heating processing, so that it is high-strength and good abrasion performance; the up and Bottom hooks of our hoists are made of high-strength alloy too which is good in ductility cause of strengthen heating processing, it means even the hoist is damaged by overload, the hook will only be plastic distorted and never been brittle fractured.

Size Specification

Model	Unit(mm)				
	H	A	B	D	E
HSY7.5-03S	1380	615	295	505	320
HSY7.5-03D	1380	670	313	505	320

It is typical structure in shortening the distance between the machine body and the beam tracks, applicable to operations inside fairly low buildings, especially suitable for use in temporarily erected plant buildings or on the sites where expansion of effective hoisting spaces inside the buildings required.



Size Specification

Model	HSY	
	7.5-0.3S	7.5-0.3D
Capacity(Ton)	7.5	7.5
Lifting Speed(m/min)	1.8	18/0.6
Motor Power(kw)	3.0	3.0/1.0
Rotation speed(r/min)	1440	2880/960
Insulation Grade	F Level	
Travelling speed(m/min)	Slow 11m/min & Fast 21m/min	
Power Supply	3P-380V 50 Hz	
Control Voltage	24V 36V 48V	
NO. of Load Chain	3	
Spec. of Load Chain	φ 11.2	
Net Weight (kg)	176	215
I-Beam(mm)	125-178	

Size Specification

Model	Unit(mm)						
	H	A	B	D	E	R	T
HSY7.5-03S	1380	615	295	505	320	142	231
HSY7.5-03D	1380	670	313	505	320	142	231

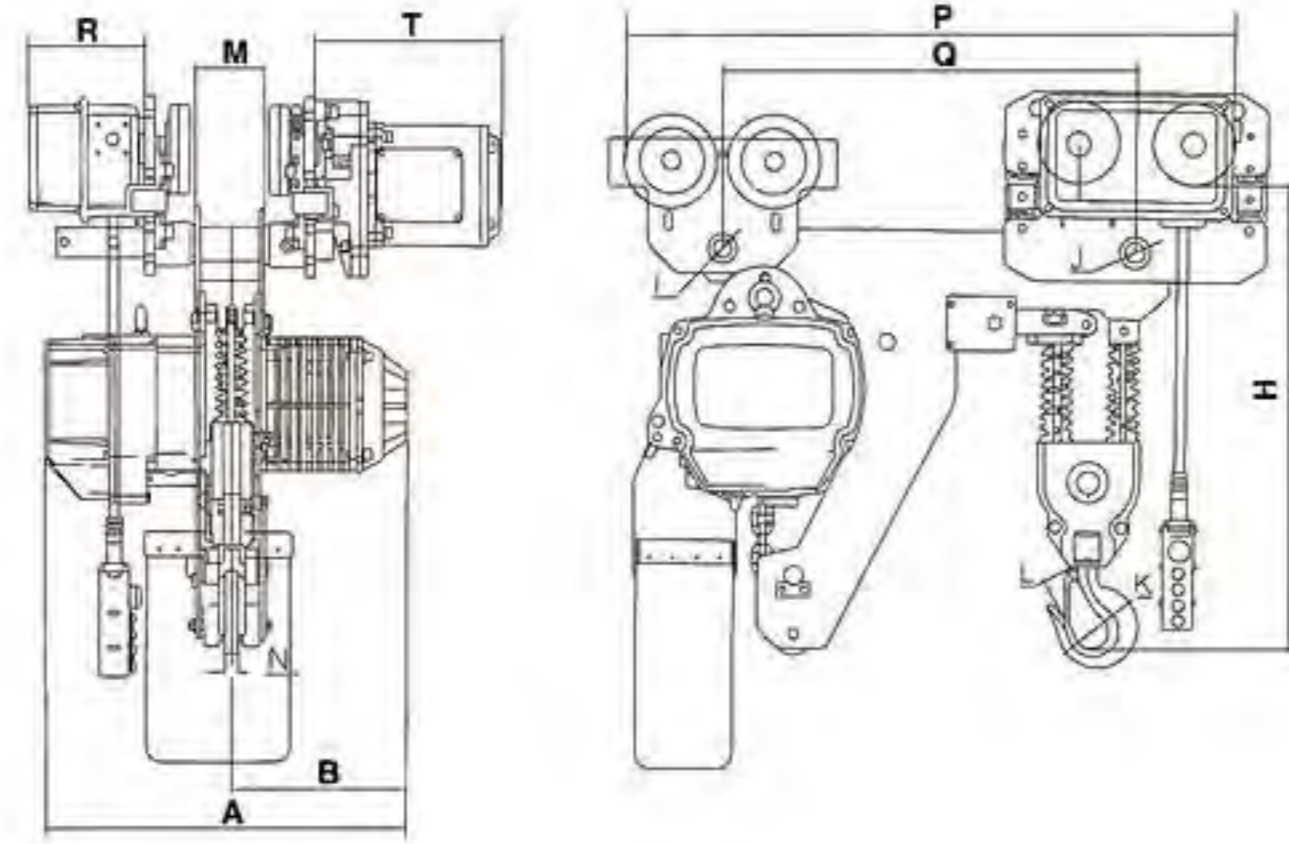


FIXED TYPE



RUNNING TYPE

0.5~7.5T



LOW CLEARANCE HOIST

It is typical structure in shortening the distance between the machine body and the beam tracks, applicable to operations inside fairly low buildings, especially suitable for use in temporarily erected plant buildings or on the sites where expansion of effective hoisting spaces inside the buildings required.

Model	H	A	B	P	Q	I	J	R	M	T
HSY0.5-01L	440	460	230	585	400	φ27	φ31	142	49	231
HSY01-01L	480	520	260	630	445	φ27	φ31	142	56	231
HSY01-02L	510	460	230	585	400	φ27	φ31	142	49	231
HSY1.5-01L	570	615	295	720	505	φ31	φ36	142	66	231
HSY02-01L	570	615	295	720	505	φ31	φ36	142	66	231
HSY02-02L	535	520	260	665	444.5	φ31	φ36	142	56	231
HSY2.5-01L	640	615	295	775	526	φ36	φ43	142	73	231
HSY03-01L	640	615	295	775	526	φ36	φ43	142	73	231
HSY03-02L	685	615	295	750	503	φ36	φ43	142	66	231
HSY05-02L	740	615	295	825	541	φ43	φ54	142	73	231
HSY7.5-03L	890	615	295	1041	751	φ43	φ54	142	77	231

Technical Parameters

Model	HSY										
	0.5-01L	01-01L	01-02L	1.5-01L	02-01L	02-02L	2.5-01L	03-01L	03-02L	05-02L	7.55-03L
Capacity(Ton)	0.5t	1t	1t	1.5t	2t	2t	2.5t	3t	3t	5t	7.5t
Lifting Speed(m/min)	7.2	6.8	3.6	8.8	6.6	3.4	5.6	5.6	3.3	2.2	2.8
Motor Power(kw)	1.1	1.5	1.1	3.0	3.0	1.5	3.0	3.0	3.0	3.0	3.0
Rotation speed(r/min)	1440										
Insulation Grade	F Level										
Travelling speed(m/min)	Slow 11m/min & Fast 21m/min										
Power Supply	3-Phase 380V 50 Hz										
Control Voltage	24V 36V 48V										
NO. of Load Chain	1	1	2	1	1	2	1	1	2	2	3
Spec. of Load Chain	φ6.3	φ7.1	φ6.3	φ10.0	φ10.0	φ7.1	φ11.2	φ11.2	φ10.0	φ7.1	φ11.2
I-Beam(mm)	82-153	82-153	82-153	100-178	100-178	112-178	112-178	112-178	112-178	125-178	125-178

10T

PRODUCT FEATURE

Shell: shell is lightweight and strong, cooling rate, the sealed design suitable for use in the environment of poor operating conditions.

Reverse phase protection device: a special electrical device, the control circuit will stop working when the power supply wiring error.

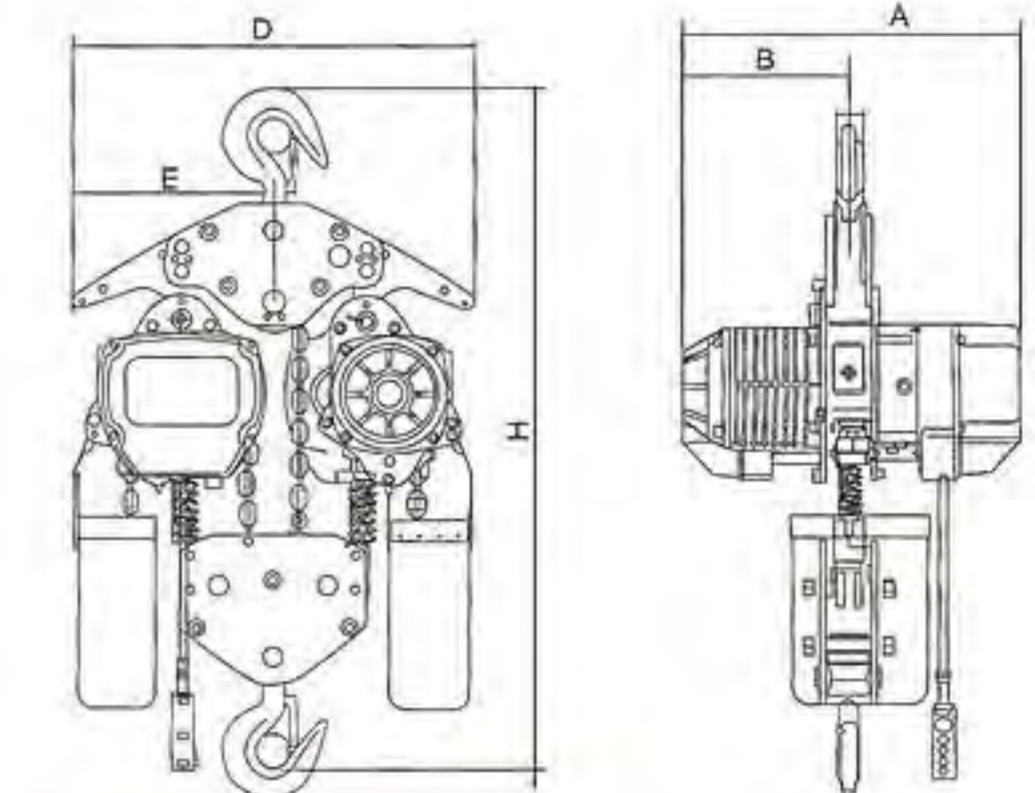
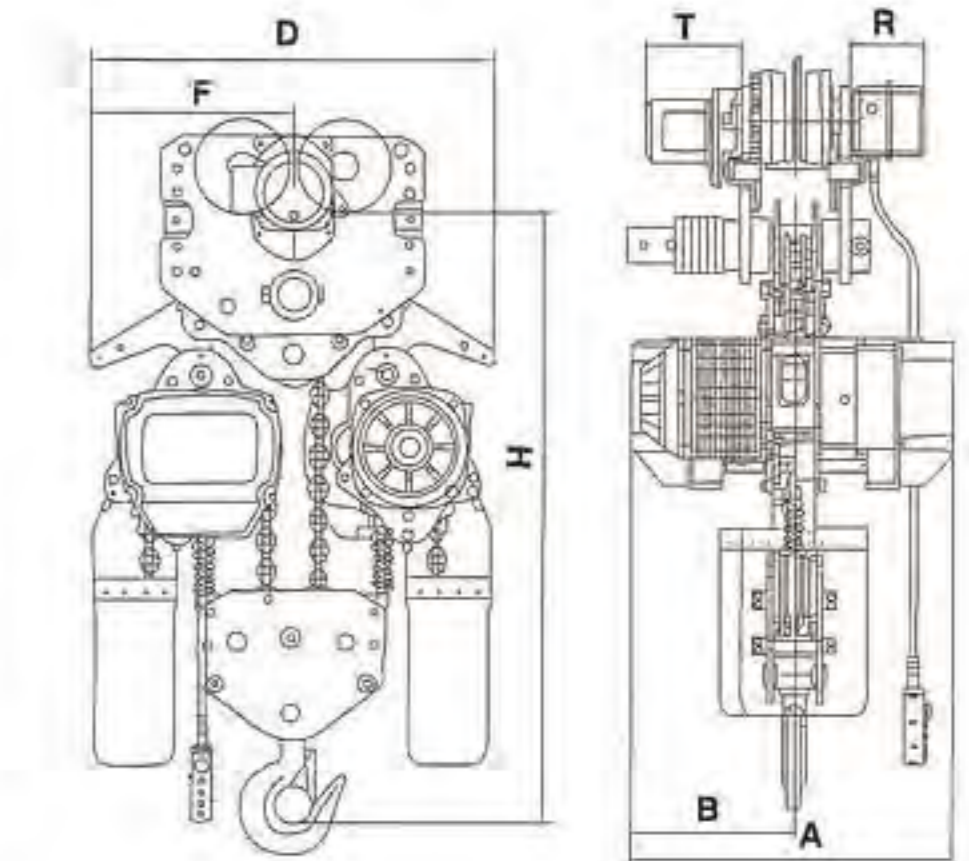
Limit switch: hanging heavy objects hanging under has a limit switch device, the motor automatically stops to prevent the chain beyond to ensure safety.

The 24v / 36v / 48v devices: when they are in operation in case of leakage switch to prevent accidents.

Braking device: This device can be achieved instantly when the power is off the brake.

Chain bag: lightweight, attractive and durable.

Chain: imported FEC80 super heat alloy steel chain.



(Operation Type) Size Specification

Model	Unit(mm)						
	H	A	B	D	E	R	T
HSY10-04S	1190	630	315	890	445	142	231
HSY10-04D	1190	670	388	890	445	142	231

(Fixed Type) Size Specification

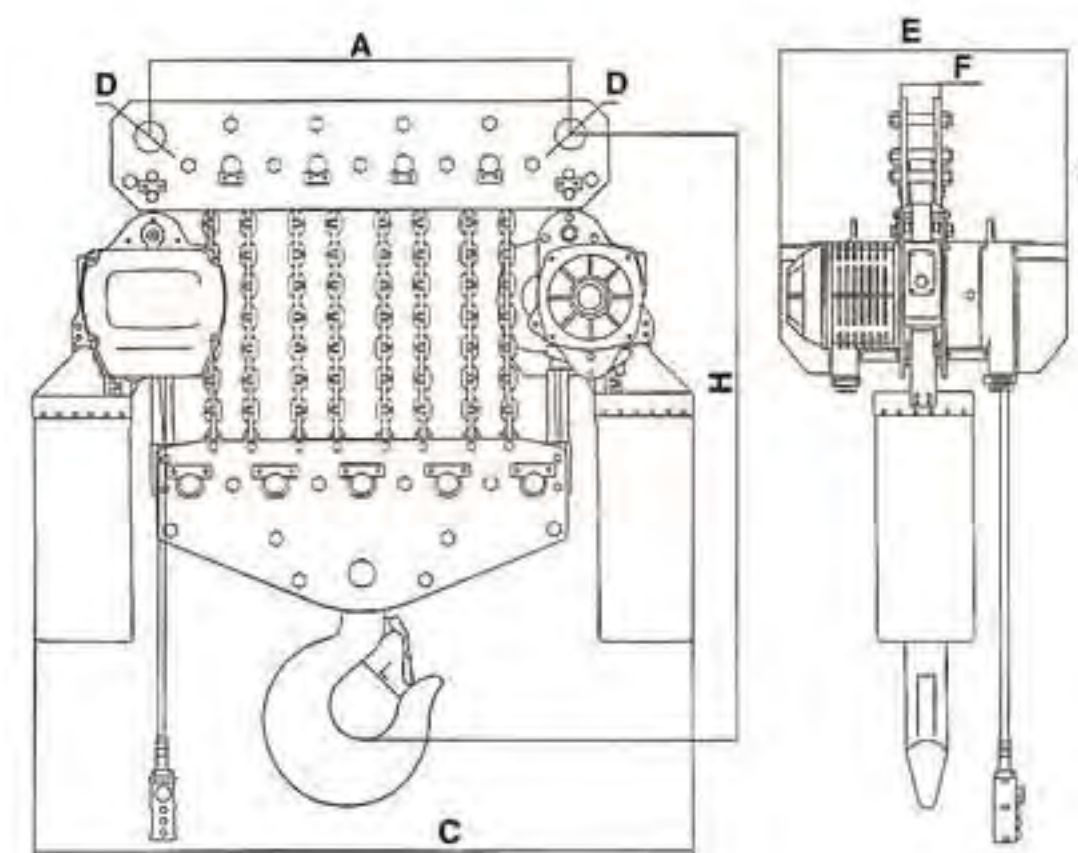
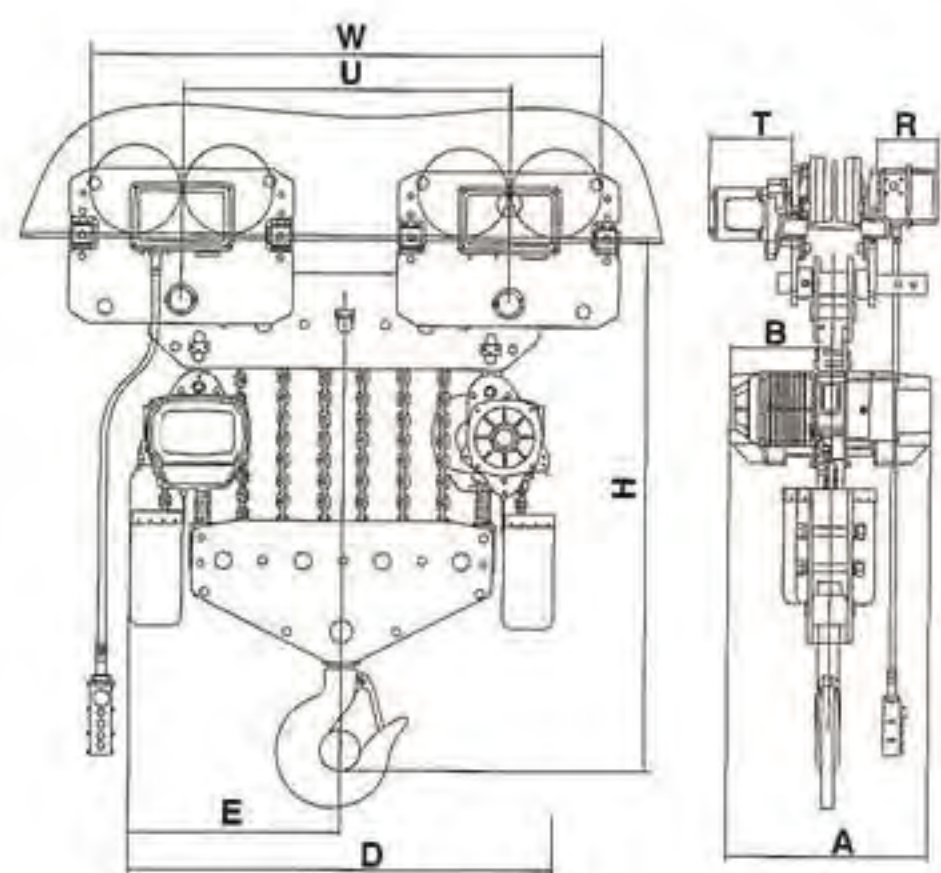
Model	Unit(mm)				
	H	A	B	D	E
HSY10-04S	1400	630	315	890	445
HSY10-04D	1400	670	388	890	445

Size Specification

Model	HSY	
	10-04S	10-04D
Capacity(Ton)	10	10
Lifting Speed(m/min)	2.8	2.8/0.9
Motor Power(kw)	2×3.0	2×3.0/1.0
Rotation speed(r/min)	1440	2880/960
Insulation Grade	F Level	
Travelling speed(m/min)	Slow 11m/min & Fast 21m/min	
Power Supply	3P-380V 50 Hz	
Control Voltage	24V / 36V / 48V	
NO. of Load Chain	4	4
Spec. of Load Chain	φ 11.2	
Net Weight (kg)	300	360
I-Beam(mm)	150-220	



15~25T

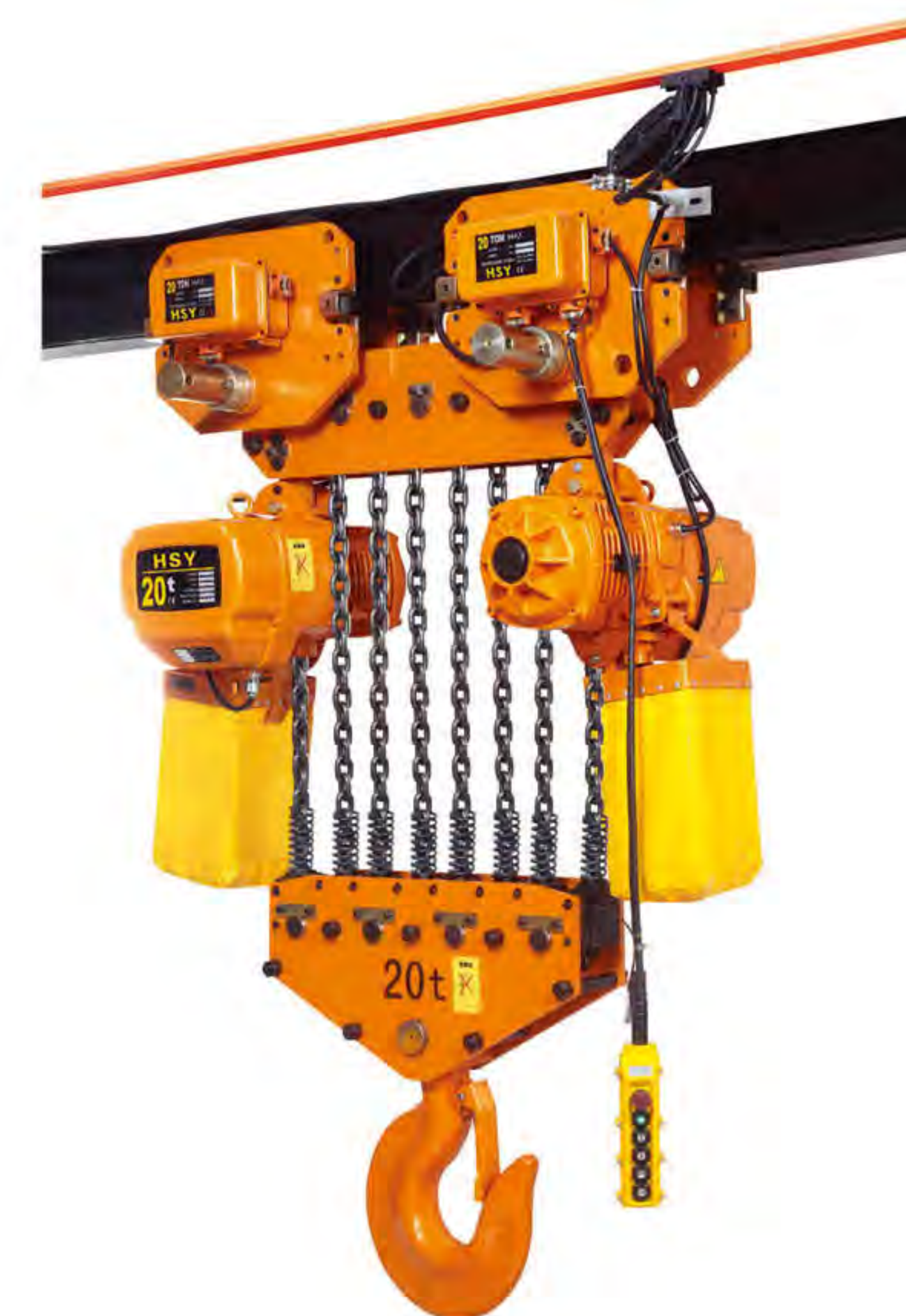


Size Specification

Model	Unit(mm)								
	H	A	B	D	E	W	U	R	T
HSY15-06S	1310	630	315	1070	535	926	560	142	231
HSY15-06D	1310	670	388	1070	535	926	560	142	231
HSY20-08S	1470	630	315	1260	630	1106	740	142	231
HSY20-08D	1470	670	388	1260	630	1106	740	142	231
HSY25-10S	1580	630	315	1460	725	1280	930	142	231
HSY25-10D	1580	670	388	1460	725	1280	930	142	231

Size Specification

Model	Unit(mm)						
	H	A	B	D	E	F	L
HSY15-06S	1260	560	1070	54	630	88	95
HSY15-06D	1260	560	1070	54	670	88	95
HSY20-08S	1320	740	1260	70	630	88	115
HSY20-08D	1320	740	1260	70	670	88	115
HSY20-10S	1340	930	1460	70	630	88	115
HSY20-10D	1340	930	1460	70	670	88	115



Electric Hoist Operation Type

Applicable type	Capacity (Ton)	Lifting Speed (m/min)	Motor Power (kw)	Rotation speed (r/min)	Insulation Grade	Travelling speed (m/min)	Power Supply	Control Voltage	NO.of Load Chain	Spec.of Load Chain	Net Weight (kg)	I-Beam (mm)
HSY15-06S	15	1.8	2×3.0	1440	F Level	Slow 11m/min & Fast 21m/min	3-P 380V 50 Hz	24V 36V 48V	6	φ 11.2	382	150-220
HSY15-06D	15	1.8/0.6	2×3.0/1.0	2880/960					6		455	
HSY20-08S	20	1.4	2×3.0	1440					8		482	
HSY20-08D	20	1.5/0.5	2×3.0/1.0	2880/960					8		545	
HSY25-10S	25	1.1	2×3.0	1440					10		530	
HSY25-10D	25	1.2/0.4	2×3.0/1.0	2880/960					10		579	

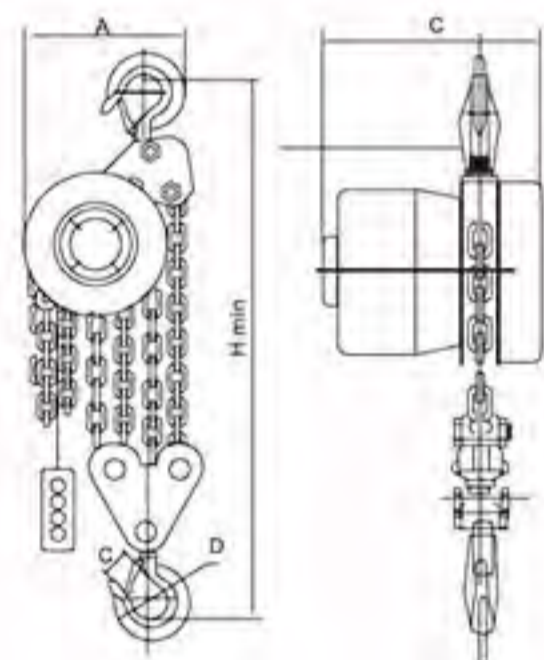
Fixed Type

Applicable type	Capacity(Ton)	Lifting Speed (m/min)	Motor Power (kw)	Rotation speed(r/min)	Insulation Grade	Power Supply	Control Voltage	NO.of Load Chain	Spec.of Load Chain
HSY15-06S	15	1.8	2×3.0	1440	F Level	3-P 380V 50 Hz	24V 36V 48V	6	φ 11.2
HSY15-06D	15	1.8/0.6	2×3.0/1.0	2880/960				6	
HSY20-08S	20	1.4	2×3.0	1440				8	
HSY20-08D	20	1.5/0.5	2×3.0/1.0	2880/960				8	
HSY20-10S	20	1.1	2×3.0	1440				10	
HSY20-10D	20	1.2/0.4	2×3.0/1.0	2880/960				10	



DHP TYPE CHAIN HOIST

DHP electric hoist. It is either easy to carry as the chain block, or improve the disadvantage of manual operation and low lifting speed. It both has the advantage of compact structure, small volume, light weight, high efficiency, easy to use and guard. It is suitable for low-speed distance, loading and unloading materials, facilitating equipment, mineral and project erection. The products are with good quality and low price, safe and reliable. It will provide convenience to your work. Nowadays we can supply products to national key projects, such as Baogang and TaiMount, nuclear electricity, win good honor with better commercial credit.



Product parameters

Model	DHP 1	DHP 2	DHP 3	DHP 5	DHP 10	DHP 20	DHP 30
Rated lifting weight (T)	1t	2t	3t	5t	10t	20t	30t
The test load (T)	1.25t	2.5t	3.75t	6.25t	12.5t	25t	37.5t
Hoisting speed (m/min)	0.26 0.09	0.26 0.09	0.26 0.09	0.26 0.09	0.26 0.09	0.26 0.09	0.26 0.09
The minimum distance between two hooks (mm)	300	380	470	600	730	890	980
Standard lifting height (m)	3						
Motor rate (kw)	0.5	0.5	0.5	0.75	0.75	1.1	1.1
The power supply voltage	380V			50HZ			
Machine weight (kg)	42	50	55	62	92	230	310
Weight added with per meter higher	0.82	1.7	2.9	4.42	8.84	17	26.5

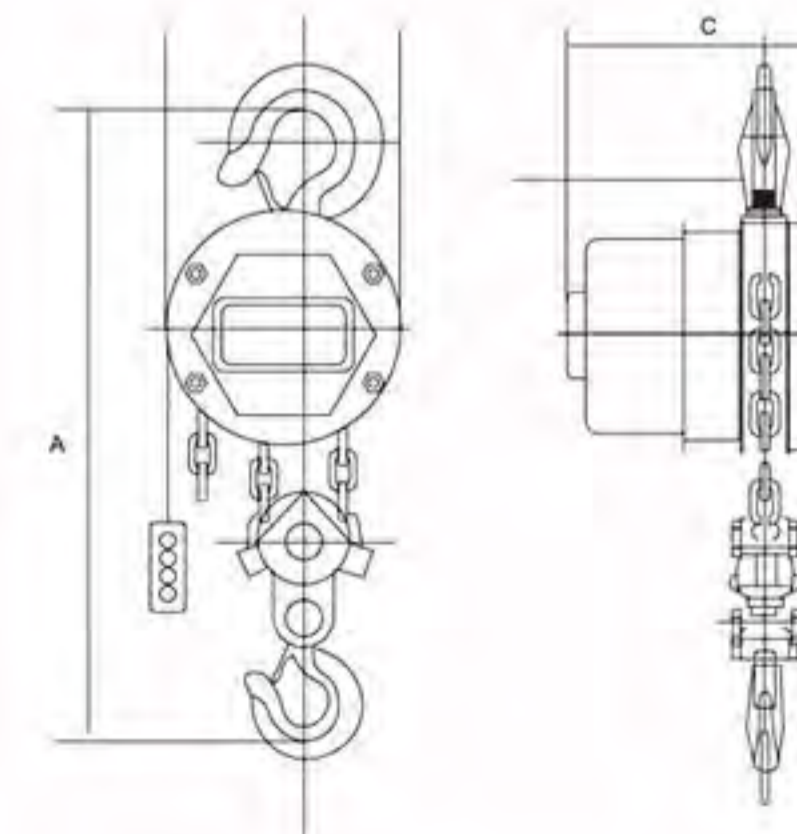
Product parameters

Model	KSY 1	KSY 2	KSY 3	KSY 5	KSY 10
Capacity(t)	1	2	3	5	10
Testing load(t)	1.25	2.5	3.75	6.25	12.5
Power supply	380V		50Hz		
Motor power (kw)	0.5	0.8	1.1	1.1	1.8
Lifting speed (m/min)	3	3	3	2	1
Min distance between hooks (mm)	300	380	470	470	730
Standard lifting height (m)	3				
Net weight(kg)	42	50	55	55	120
Extra weight per meter of extra lift(kg)	0.82	1.7	2.9	2.9	8.84



KSY TYPE CHAIN HOIST

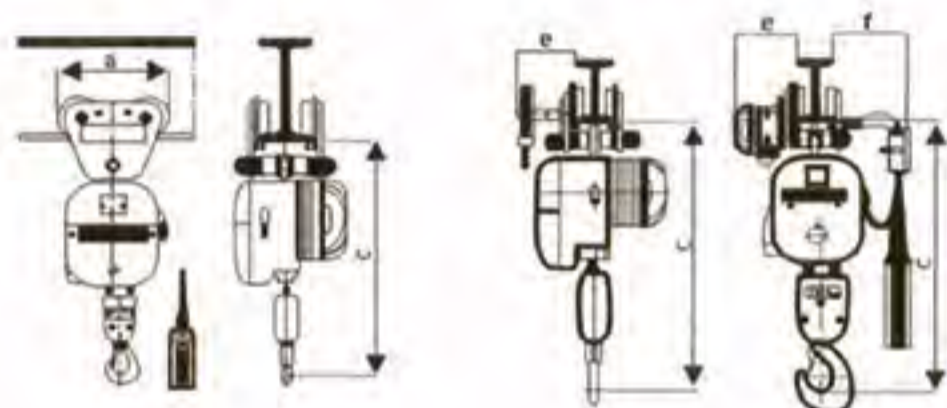
KSY Series Electric Lifting Block is our new product. It is produced according to International Standard. The products have the advantage of reasonable design, advanced structure, beautiful outward, easy to carry, high intensity and tenacity, safe and reliable to use, easy to guard and durable. This series product can compete with the advanced products and well-known all over the world.





PK TYPE CHAIN HOIST

PK style electric chain hoist has many advantages such as small volume, light weight, flexible operation. And its lifting capacity is from 125kg to 2000kg. PK style electric chain hoist is a kind of mature technology product. It's a ideal equipment with high quality, long service life and high efficiency. The lifting speed is double speed and it has high strength and resistant steel chains. It is very safe to use.



Product parameters

Model	Rated Capacity (t)	Test Load (KN)	Adjustable Beam Width (mm)	Dimensions (mm)										NetWeight (kg)	
				A		B		C	D	E	F		G		H
				max	min	max	min				max				
1t	1	12.5	75-230	240	192	367	94	4	194	102	154	22	20	4	
2t	2	25	75-230	240	192	367	102	6	194	102	154	22	20	4.8	
3t	3	37.5	80-345	355	243	520	132	8	241	133	223	38	22	9.8	
5t	5	62.5	80-345	355	243	520	142	10	241	133	223	35	28	11.6	
10t	10	125	90-350	360	259	532	180	12	284	155	234	47	38	17	

Product parameters

Model	Rated Capacity (t)	Test Load (KN)	Adjustable Beam Width (mm)	Dimensions (mm)										NetWeight (kg)	
				A		B		C	D	E	F		G		H
				max	min	max	min				max				
1t	1	12.5	75-230	240	192	367	94	4	218	103	155	20	30	45	4.2
2t	2	25	75-230	240	192	367	102	6	218	103	155	20	30	45	5.1
3t	3	37.5	80-320	330	243	491	132	8	258	157	223	47	45	63	10.4
5t	5	62.5	80-320	330	243	491	142	10	258	157	223	47	45	63	12.2
10t	10	125	90-320	330	243	501	180	12	293	175	235	56	64	95	18.8

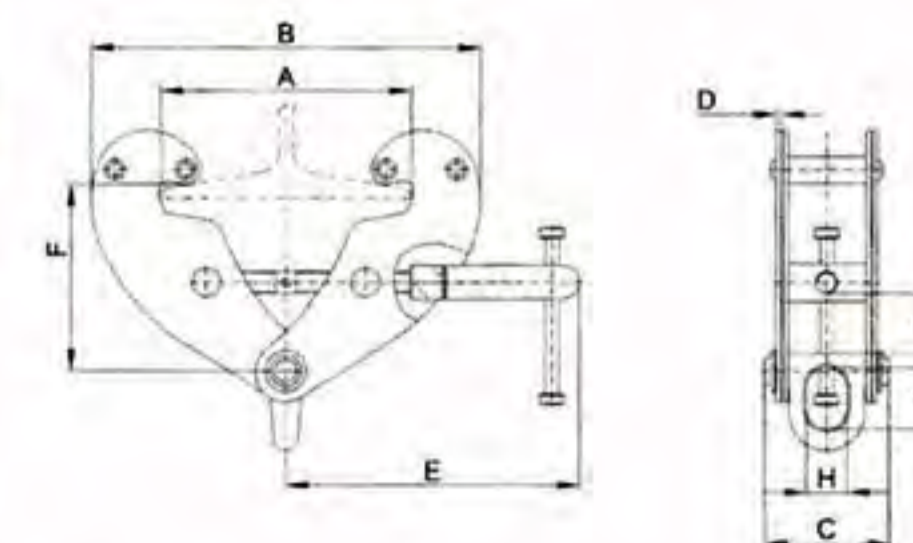
Product parameters

(Model)	PK1		PK2		PK5		PK10		
(Name)	PK1N-1F	PK1N-2F	PK2N-1F	PK2N-2F	PK5N-1F	PK5N-2F	PK10N-1F	PK10N-2F	
Capacity (kg)	125	250	250	500	500	1000	1000	2000	
Number or falls	1	2	1	2	1	2	1	2	
Lift (m)	3								
The lifting speed (m/min)	8	4	10	5	10	5	8	4	
	2	1	2.5	1.25	2.5	1.25	2	1	
Motor power (kw)	0.20		0.5		1.0		1.5		
	0.05		0.13		0.25		0.35		
Power Supply	3-380V				50Hz				
Load duration rate (%)	40/20								
Diameter of chain X Pitch	4x12		5x15		7x21		10x28		
Three m hoist weight (kg)	16	17	32	34	48	53	68	80	
Electric trolley	Model	EU5PK						EU10PK	
	Speed (m/min)	14							
	Motor power (kw)	0.2							
	Load duration rate (%)	40							
	Track type GB706	12-28b						18-56c	
	Minimum turning radius (m)	1.0						1.4	
Hand trolley	Model	RU5PK						RU10PK	
	Track type GB706	12-28b						18-56c	
	Minimum turning radius (m)	1.0						1.4	

JCBCA BEAM CLAMP



Compact structure and reasonable design, flexibly use. Convenient track width adjustment, adopting screw adjusting track width, accurate positioning. Beautiful outlook, the surface is painting with fine spray, anti-explosion and good durability.



CARBURIZING CHAIN

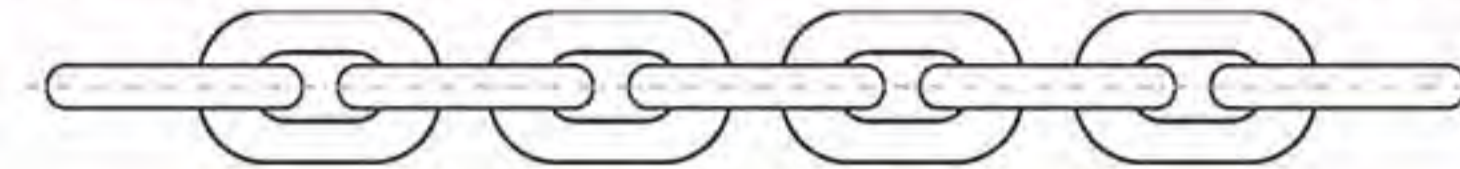
Case hardened hoist chains (quality class T, DAT, DT) come with an exceptionally high dynamic strength, contributing considerably to the prevention of failures in service

d	Tolerance	Pitch	Tolerance	b1	b2	Weight	Working load in kg			proof load	Breaking load
							min	max			
mm	mm	mm	mm	mm	mm	kg/m	T	DAT	DT	kn	kn
4	±0.2	12	0.25	4.8	13.6	0.35	500	400	250	12.6	20.1
5	±0.2	15	0.3	6	17	0.54	800	630	400	19.6	31.4
6	±0.2	18	0.35	7.2	20.4	0.8	1.1	900	560	28.3	45.2
7	±0.3	21	0.4	8.4	23.8	1.1	1.5	1.2	750	38.5	61.6
8	±0.3	24	0.5	9.6	27.2	1.4	2	1.6	1	50.3	80.4
9	±0.4	27	0.5	10.8	30.6	1.8	2.5	2	1.25	63.6	102
10	±0.4	30	0.6	1.2	34	2.2	3.2	2.5	1.6	78.5	126
11	±0.4	31	0.6	13.2	37	2.7	3.8	3	1.9	95	152
12	±0.5	36	0.7	14.4	40.8	3.1	4.5	3.6	2.2	113	181
13	±0.5	39	0.8	15.6	44.2	3.7	5.3	4.2	2.6	133	212
14	±0.6	42	0.8	16.8	47.6	4.3	6	5	3	154	246
16	±0.6	48	0.9	19.2	54.4	5.6	8	6.3	4	201	322
18	±0.9	54	1	21.6	61.2	7	10	8	5	254	407
20	±1.0	60	1.2	24	68	8.7	12.5	10	6.3	314	503
22	±1.1	66	1.3	26.4	74.8	10.5	15	12.5	7.5	380	608

T-hardened and tempered
 DAT-surface hardened
 DT-surface hardened, with higher surface hardness and higher hardening depth than DAT

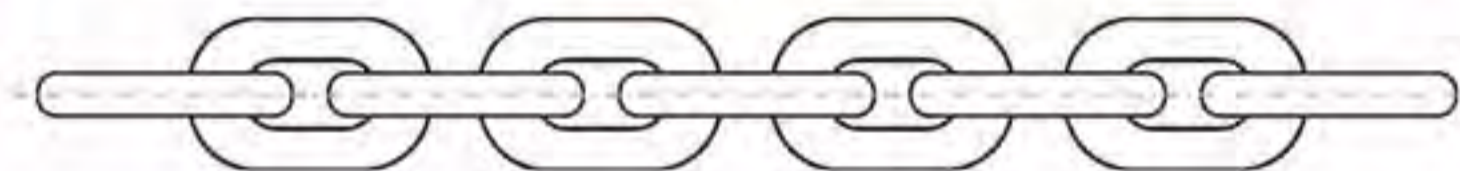
Execution	Temperature range	
	Upper limit °C	Bottom limit °C
T	200	-40
DAT	200	-20
DA	200	-10

G80 GRADE 80 ALLOY CHAIN



size	DIA	Insidelength	Insidelength	WorkingLoad	prooftest min	breakingforce min	weighper 100ft	weighper meter
1/4	6mm	18mm	8.7mm	1150kg	22.5kn	45kn	24.3kg	0.80
1/4	7mm	22mm	10.5mm	1570kg	30.8kn	61.6kn	33.0kg	1.08
5/16	8mm	24mm	12mm	2050kg	40.3kn	80.6kn	43.5kg	1.43
	9mm	27mm	12mm	2500kg	50.8kn	102kn	54.8kg	1.80
3/8	10mm	30mm	14.5mm	3200kg	63kn	126kn	67.6kg	2.22
1/2	13mm	39mm	19mm	5400kg	107kn	214kn	113.6kg	3.73
1/2L	13mm	82mm	24mm	5400kg	107kn	214kn	88.4kg	2.90
5/8	16mm	48mm	23mm	8200kg	161kn	322kn	170.3kg	5.58
3/4	19mm	47mm	26mm	11200kg	227kn	454kn	243.8kg	8.00
3/4	20mm	60mm	28mm	12500kg	250kn	500kn	274.3kg	9.00
7/8	22mm	66mm	29.5mm	15000kg	300kn	600kn	332kg	10.90
1	26mm	78mm	35mm	20000kg	400kn	800kn	463kg	15.20

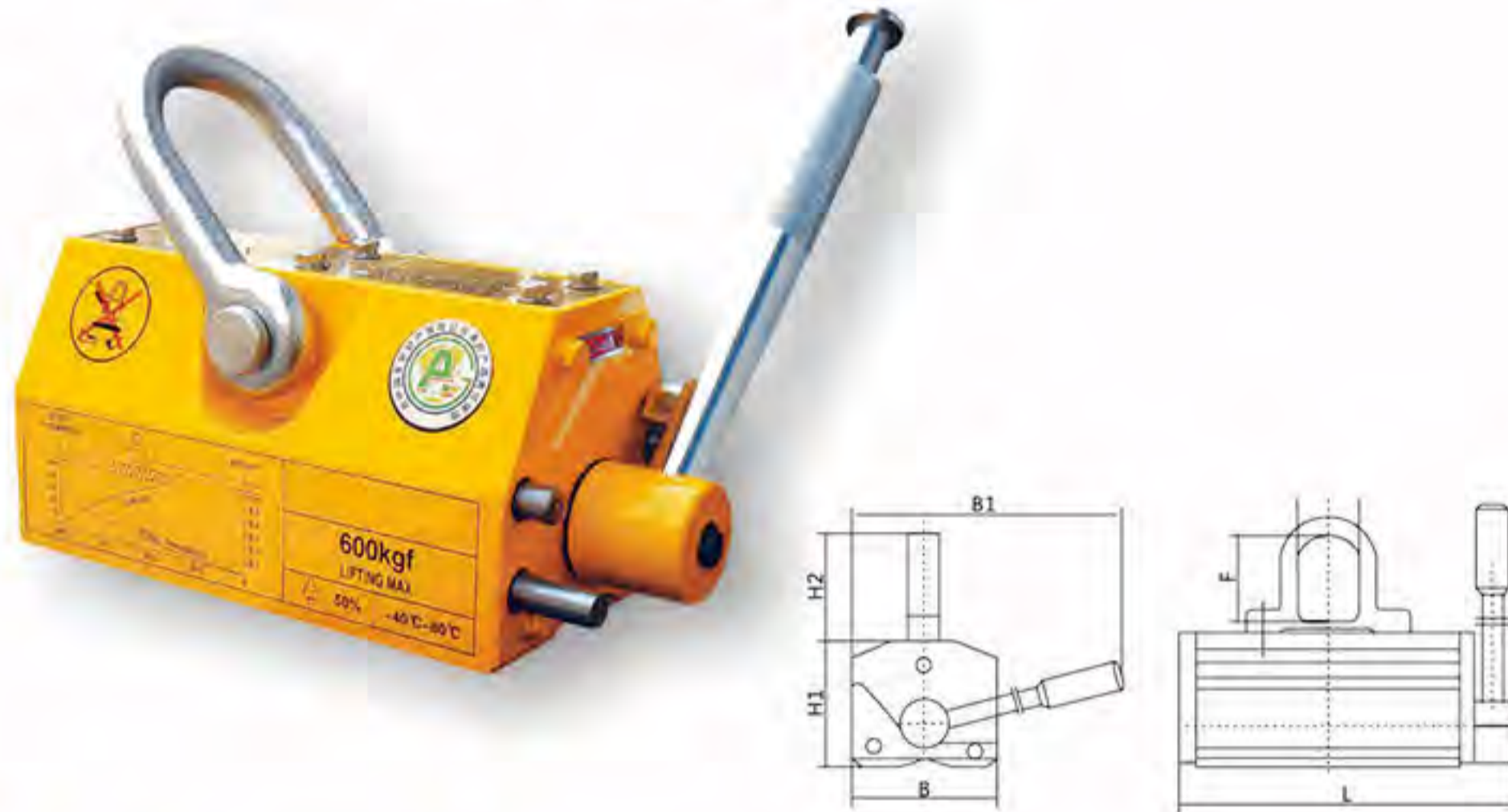
G100 GRADE 80 ALLOY CHAIN



size	DIA	Insidelength	Insidelength	WorkingLoad	prooftest min	breakingforce min	weighper 100ft	weighper meter
	6mm	18mm	9mm	1400kg	28.0kn	56.5kn	24.4kg	0.80
1/4	7mm	21mm	10.5mm	1950kg	38.5kn	77.0kn	33.1kg	1.09
5/16	8mm	24mm	12mm	2600kg	51.0kn	102.0kn	43.7kg	1.43
3/8	10mm	30mm	15mm	4000kg	79.0kn	158.0kn	68kg	2.23
	12mm	36mm	18mm	5650kg	111.0kn	222.0kn	97.9kg	3.21
1/2	13mm	39mm	19.5mm	6800kg	134kn	268.0kn	114.9kg	3.77
5/8	16mm	48mm	24mm	10300kg	201.0kn	402.0kn	174kg	5.71
	18mm	54mm	27mm	13000kg	254.5kn	509.0kn	220.3kg	7.23
3/4	19mm	57mm	28.5mm	14400kg	283.0kn	567.0kn	244.9kg	8.04
	20mm	60mm	30mm	16000kg	315.0kn	630.0kn	272kg	8.92
7/8	22mm	66mm	33mm	19400kg	381.0kn	762.0kn	329.1kg	10.80

PERMANENT MAGNET LIFTER

JTML-A Model safety factor 3.5:1.
 Strong permanent magnetic circuit.
 Stable and lasting working performance
 Strong pull-off strength.
 High safety factor and reliable quality.



Product parameters

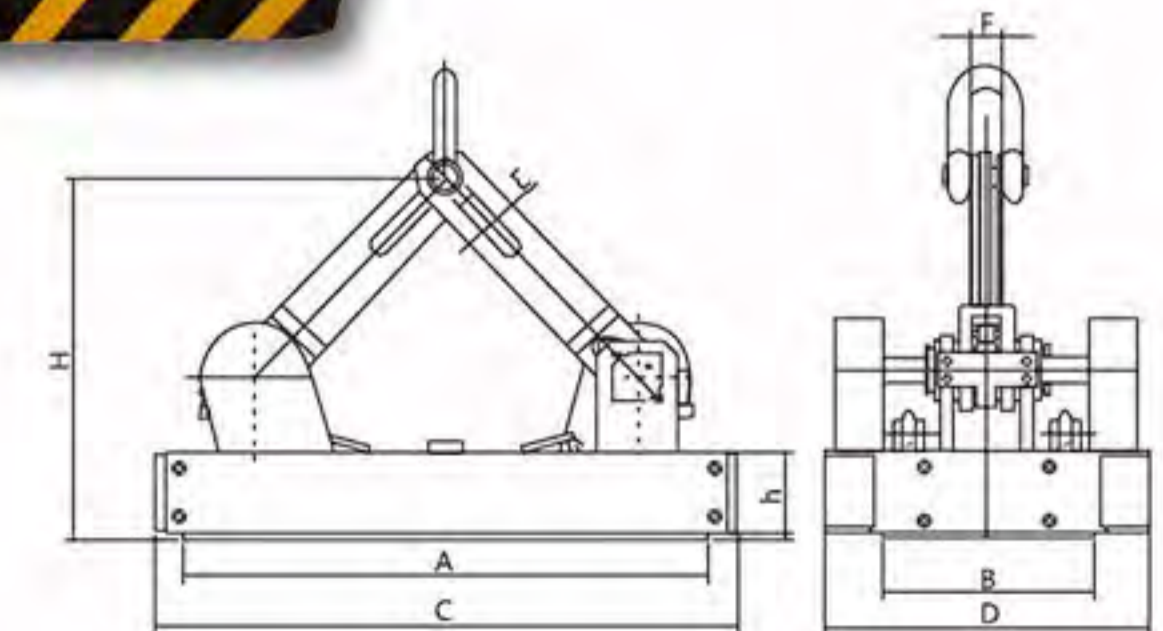
Model	Rated load (kg)	Max pull-of Strength (kg)	Size (mm)				Net weight (kg)
			L	B	H	R	
YS-100	100	300	90	63	68	145	3
YS-400	400	1200	160	95	180	160	11
YS-600	600	1800	220	115	125	230	20
YS-1000	1000	3000	260	145	145	280	40
YS-1500	1500	3750	310	145	145	280	48
YS-2000	2000	5000	340	160	165	410	60
YS-3000	3000	7500	420	185	185	510	90
YS-4000	4000	10500	480	200	200	510	120
YS-5000	5000	15000	580	300	300	650	400

Product parameters

Model	(kg) (Rated Lifting Capacity)	(mm)(Dimensions)				(kg) (Max Breakaway Force)	(kg) (NW)
		A	B	H	HI		
QXXI-1	1000	520	380	120	590	4000	145
QXXI-2	2000	780	480	120	680	7000	255
QXXI-3	3000	860	550	130	730	10500	395
QXXI-5	5000	1015	590	130	800	15000	470
QXXI-10	10000	1450	760	150	870	25000	1050
QXXI-20	20000	1650	870	215	970	50000	1850

AUTOMATIC CHUCK

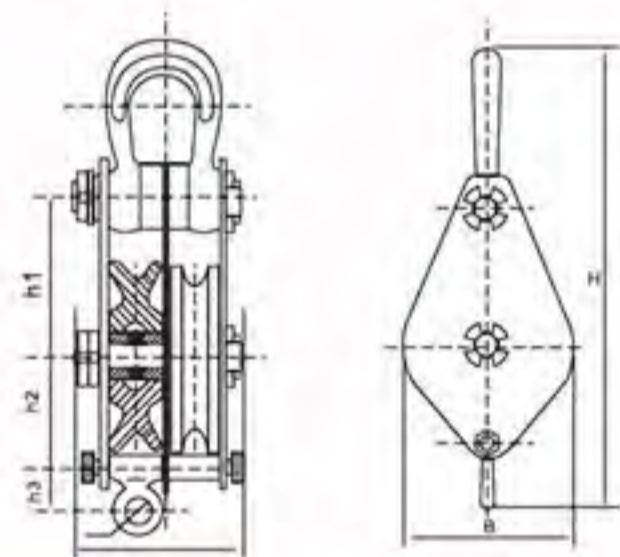
- * Automatic pull or push, no one operation can be realized.
- * Do without electricity, more safety while working.
- * Higher magnetism, less weight.
- * Less remaining magnetism when being off.





PULLEY

Pulley is the important tools for hoisting. It has simple structure and easy to use. It can change direction of pulley, steel wire rope and high weight cargoes, especially series of pulley combined with windlass, mast and other lifting machinery. It widely used in installation and construction. Its item from 0.03T to 320T, and wheels not exceed ten. Our lifting tools including hooks, chain lifting ring and handing beam, you can choose one according to your need.



Product parameters

Model	Triple Wheels Hook Pulley					
HQG(L)3-3.2	3.2	51.2	7.7	11	85	8.2
HQG(L)3-5	5	80	11	14	112	16.83
HQG(L)3-8	8	128	12.5	15.5	132	18
HQG(L)3-10	10	160	15.5	18.5	160	47
HQG(L)3-16	16	224	17	20	190	49.79
HQG(L)3-20	20	280	20	23	210	69.59
HQG3-32	32	448	26	28	280	187.8
HQG3-50	50	700	31	35	355	360



WEBBING SLING

The web slings include two kinds: circular web slings and flat web slings, and the circular web slings include EA circular web sling and EA-A circular web sling. The flat web slings include EBflat web.

Product parameters

Model	Working capacity (kg)	Breaking capacity (kg)	Width (mm)	Length (mm)
FF01-25	750 1500	1500	25	8
FF01-35	1000 2000	2000	35	8
FF01-50	2500 5000	5000	50	8
FF01-75	4000 8000	8000	75	8
FF01-100	5000 10000	10000	100	8

Product parameters

Model	color	min breaking force (Kg)	load capacity (Kg)	upright P=1(Kg)	chocked P=0.8(Kg)	upright45° P=1.3(Kg)	upright90° P=1.4(Kg)
EA-01		6000	1000	1000	800	1800	1400
EA-02		12000	2000	2000	1600	3600	2800
EA-03		18000	3000	3000	2400	5400	4200
EA-04		24000	4000	4000	3200	7200	5600
EA-05		30000	5000	5000	4000	9900	7000
EA-06		36000	6000	6000	4800	10800	8400
EA-07		48000	8000	8000	6400	14400	11200
EA-08		60000	10000	10000	8000	18000	14000
EA-300		1800000	300000	300000	240000	540000	420000