

# Surprisingly comfortable & Ergonomic

## Superior comfort cabin

New Z series is focusing on working environment and operator's comfort. The new cabin designed with no blind spot. It is a comfortable and safe work place for the operator.

The Cabin's 360 degrees crystal view minimums the risk of damage to operator and goods. Wide range of optional equipments such as heater and radio in the interior lining of the overhead guard to meet all your needs. Quality components and insulated engine compartment, as well as the construction itself, ensure a low noise and vibration level.



## Superior comfort cabin

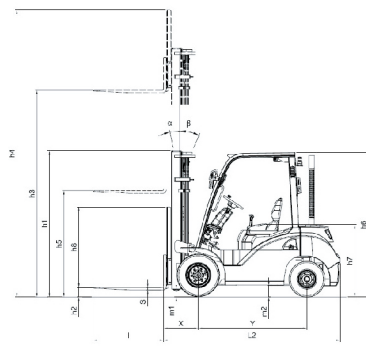
- Operator comfort
- Vibration-free
- Functional arrangement
- Low noise level
- Ergonomic operation

Optional advanced hydraulics mini-lever and joystick with armrest are all new design give more comfort to the operator. Radio and heater also design for different needs.

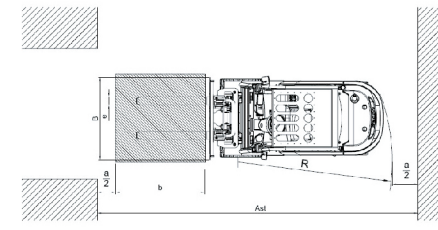


Mini-levers

Radio



a=X+R+b+a  
b=Laenge der Ladung  
a=Freiraum (200mm)



## Specification

		Tailift Z1000e		Tailift Z1000e		Tailift Z1000e		Tailift Z1000e		Tailift Z1000e	
		EFD18	EFG18	EFD20	EFG20	EFD25	EFG25	EFD30	EFG30	EFD35	EFG35
1	Manufacturer	Tailift									
2	Series	Z1000e									
3	Model	EFD18	EFG18	EFD20	EFG20	EFD25	EFG25	EFD30	EFG30	EFD35	EFG35
4	Capacity Q	Load	kg	1800	2000	2500	3000	3000	3500	3500	3500
5	Load center C	Distance	mm	500	500	500	500	500	500	500	500
6	Power type	Electric/Diesel/Gasoline/LPG		Diesel	Gasoline	Diesel	Gasoline	Diesel	Gasoline	Diesel	Gasoline
7	Operation type	Pedestrian/stand/Sit		Sit	Sit	Sit	Sit	Sit	Sit	Sit	Sit
8	Tire type	S=Solid/P=Pneumatic	front/rear	P/P	P/P	P/P	P/P	P/P	P/P	P/P	P/P
9	Wheels(O/drivers)	Number		2X/2	2X/2	2X/2	2X/2	2X/2	2X/2	2X/2	2X/2
10	h3	Lift	mm	3000	3000	3000	3000	3000	3000	3000	3000
11	h2	Standard free lift	mm	1500	1500	1500	1500	1500	1500	1500	1500
12	h5	Optional free lift	mm	1500	1500	1500	1500	1500	1500	1500	1500
13	h8	Height of load bracket	mm	1220	1220	1220	1220	1220	1220	1220	1220
14	Fork size	Thickness/Width/Length	mm	35x100x1070	40x122x1070	40x122x1070	45x122x1070	45x122x1070	50x122x1070	50x122x1070	50x122x1070
15	Forward/Back	tilting angle	deg	6/12	6/12	6/12	6/12	6/12	6/12	6/12	6/12
16	L2	Length to face of forks	mm	2390	2600	2600	2760	2760	2885	2885	2885
17	B	Total width	mm	1065	1160	1160	1270	1270	1270	1270	1270
18	h1	Mast height lowered	mm	2075	2075	2075	2140	2140	2140	2140	2140
19	h4	Mast height extended w/o bracket	mm	3640	3640	3640	3640	3640	3640	3640	3640
20	h4	Mast height extended	mm	4295	4295	4295	4295	4295	4295	4295	4295
21	h6	Overhead guard height	mm	2150	2195	2195	2220	2220	2220	2220	2220
22	h7	Seat height	mm	1150	1090	1090	1090	1090	1090	1090	1090
23	b3	Fork carriage width	mm	920	1024	1024	1150	1150	1150	1150	1150
24	R	Turning radius	mm	2060	2230	2230	2400	2400	2600	2600	2600
25	X	Load distance	mm	460	500	500	515	515	515	515	515
26	Ast	Aisle width	mm	3485/3685	3730/3930	3730/3930	3915/4115	3915/4115	4115/4315	4115/4315	4115/4315
27	number	Tire size		2/2	2/2	2/2	2/2	2/2	2/2	2/2	2/2
28	front			6.50-10-10P.R.	7.00-12-12P.R.	7.00-12-12P.R.	8.15-15-12P.R.	8.15-15-12P.R.	8.15-15-14P.R.	8.15-15-14P.R.	8.15-15-14P.R.
29	rear			5.00-8-8P.R.	6.00-9-10P.R.	6.00-9-10P.R.	6.50-10-10P.R.	6.50-10-10P.R.	6.50-10-10P.R.	6.50-10-10P.R.	6.50-10-10P.R.
30	Y	Wheelbase	mm	1480	1600	1600	1650	1650	1800	1800	1800
31	Center of tires front	Tread	mm	885	970	970	1055	1055	1055	1055	1055
31	Center of tires rear	Tread	mm	900	985	985	985	985	985	985	985
32	m1	Ground clearance	mm	110	110	110	120	120	120	120	120
33	m2	center of wheelbase	mm	155	170	170	210	210	210	210	210
34	operation/control	Service brake		Hydraulic	Hydraulic	Hydraulic	Hydraulic	Hydraulic	Hydraulic	Hydraulic	Hydraulic
35	operation/control	Parking brake		Mechanical	Mechanical	Mechanical	Mechanical	Mechanical	Mechanical	Mechanical	Mechanical
36	V	voltage		12	12	12	12	12	12	12	12
37	Ah/5hr	Battery capacity		52	64	52	64	52	64	52	64
38	mm	Dimension		260x173Wx225H	306x173Wx225H	260x173Wx225H	306x173Wx225H	260x173Wx225H	306x173Wx225H	306x173Wx225H	260x173Wx225H
39	kg	Weight		17.4	22.6	17.4	22.6	17.4	17.4	22.6	17.4

\* This is only for reference and not subject to notice in advance if there is any modification.

## Engine

		EFD18-25		EFD20-35			EFG18-25	EFG20-35
Manufacturer		Isuzu	Yanmar	Yanmar	Yanmar	Isuzu	Nissan	Nissan
Model		C240PKF-23	4TNE-92	4TNE-94	4TNE-98	4JG2	K21	K25
Speed	rpm	2750	2725	2450	2725	2690	3200	3200
Output	Kw	34.3	33.4	34.2	44.1	44.9	32	38
cylinders no. /displacement	No./cc	4/2369	4/2659	4/3054	4/3319	4/3059	4/2065	4/2488



**TAILIFT MATERIAL HANDLING TAIWAN CO., LTD.**  
 No.5-1, Zili 1st Rd., Nantou City, Nantou County 540, Taiwan (R.O.C.)  
 TEL: +886-49-2263800 FAX: +886-49-2252919  
 Web site: www.tailift.com  
 E-mail: insales@tailift.com.tw  
 DOC.S/N: DEB047 Edition:03



下載「QuickMark」軟件，掃描二維碼，  
 即可體驗自動倉庫管理系統www.tailift.com



# Tailift Eco-Z series is complete new design with innovation

The elegance of our Diesel and Gas powered forklift trucks conceals its excellent power and lasting durability. This series are produce from 2000kg to 3500kg and meet the quality, performance and working efficiency required at any worksite and moreover compact body design and ergonomic functions. All of those are characteristics of a Tailift forklift truck.



### • Multifunctional LCD panel

This multifunctional instrument panel is in the central position. Large and easy to read various functions and provides the operator with the maintenance information and suggestions.



### • Internal hidden tilt cylinder

Internal tilt cylinder avoids and reduces scrape possibility. Enlarge access space and given better appearance.

### • Non-slip entry step

Large foot space and non-slip make the operator get on and get off the vehicle more easily.



### • Interlock parking brake

The parking brake has safety protection switch, it is necessary to release the parking brake in order to avoid the touch accident and to ensure the safety.



### • High mounted combination rear lights

Integral OHG light include side, reverse, rear lights, brake and direction indicators.

### • Large front lights

Integral head light and side lights.



### • Hydraulic control levers

The mechanical-hydraulic control lever disposed at the front of the panel. The ergonomic headlines designed to help reduce the driver's arm fatigue.



### • Horizontal brakes system

Extended brake pedal arm and reduce pedal resistance design to achieve the purpose of least resistance.

### • Adjustable steering wheel column

The easy-handling steering wheel column with tilt adjustment helps to provide the ideal operating position and improve performance.



### • Long operator assist grips

have been designed to meet the needs of varying operator sizes.



### • Comfortable seat

- Ergonomic sharp design and adjustable backrest
- Adjustable forward and reverse,
- Retractable safety belt
- Document bag



Excellent top view



Excellent rear view



Excellent front view

Excellent down view



## Clear view mast & round bracket design



### High performance low fuel consumption engines

The strong but low emission engine will satisfy the operators in any given circumstance, time and time again.

New Z series using high performance and low fuel consumption engines include Isuzu, Yanmar and Nissan engines. All engines meet latest emission regulations.

### Integral heavy duty chassis

A strong no-bolt integral heavy duty chassis gives the driver 20% more protection from falling loads, suite for all kind working surface.



### Tailift Automatic transmission

MD series transmission developed by Taiwan Tailift with main features

- Fast start and accelerating speed
- Forward and backward quick response and smoothly
- Using electronic gear shifting to fast switching gear

### Easy maintenance

- Engine hood using ABS environmental protection material. Features include heat-resistant, non-slip, scratch-resistant and the structure can withstand 450KG heavy weight.
- The new hood open angle has been enlarged to 80 degree, enlarge maintenance space and make maintain and service the truck much easier.
- Engine hood fix button easily opened and fixed, strong and durable
- The detachable foot pedal without bolts can be easily moved away without the tools.
- Compact fuse box for easy and quick inspection
- Easy change air cleaner

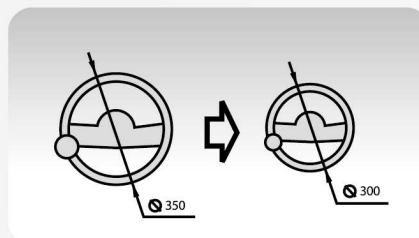


## EASY AND SMOOTH TURNING

Small steering wheel

+

New rear axle



Smaller 300mm steering wheel easy to operate and reduce operator's arm and shoulder's workload.



The new axle provides wider steering angles to 85 degree and reduces to a smaller turning radius.

## SPACIOUS OPERATION SPACE



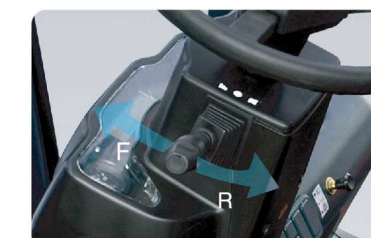
380mm &  
30% wider



Accelerate/Brake/Inching pedal all configurations with ergonomic design. 380mm wide-open foot space provides the comfortable foot activity space. It is about 30% wider than 7 series.

The enlarged space give operator great comfortable and less stress, make the operator get on or get off the vehicle more easily.

## Electric F/R control lever



Integral forward/reverse & direction lever offers easy shifting between forward and reverse while keeping both hands on the wheel. It is easy to reach and fast to change direction.