

## SMALL POCKET KNIVES



1. blade
2. nailfile with
3. – nail cleaner
4. scissors
5. key ring
6. tweezers
7. toothpick
8. nailfile with
9. – screwdriver
10. caplifter with
11. – magnet. Phillips screwdriver
12. – wire stripper
13. bright LED
14. ballpoint pen
15. USB drive
16. serrated edge scissors and lever
17. nail clipper



## MEDIUM POCKET KNIVES



1. large blade
2. small blade
3. cork screw
4. can opener with
5. – small screwdriver
6. cap lifter with
7. – screwdriver
8. – wire stripper
9. reamer, punch
10. key ring
11. tweezers
12. toothpick
13. scissors
14. multi-purpose hook
15. wood saw
16. fish scaler with
17. – hook disgorging
18. – ruler (cm + inches)
19. nailfile with
20. – metal file
21. – nail cleaner
22. metal saw
23. screwdriver 2.5 mm
24. chisel and scraper
25. pliers with
26. – wire cutters
27. – wire crimping tool
28. Phillips screwdriver
29. magnifying glass
30. pressurized ballpoint pen
31. pin, stainless steel
32. mini-screwdriver
33. sewing eye
34. wrench with
35. – Hex drive 5 mm
36. – Hex drive 4 mm for the bits
37. case with 6 bits (bit slotted 4 mm, bit Phillips 2, bit hex 4 mm, bit Torx 8/10/15)
38. Digital clock 12h/24h
39. – Alarm
40. – Countdown
41. – Timer
42. Altimeter m/feet
43. Barometer
44. Thermometer
45. LED
46. serrated edge scissors and lever
47. pliers with
48. – shifting opening
49. – wire crimping tool
50. – wire cutters
51. – nut wrench
52. universal wrench combination tool:
53. – caplifter
54. – can opener
55. – screwdriver
56. – wire stripper

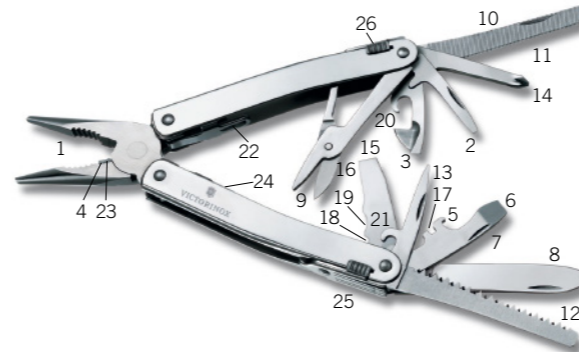


## LARGE POCKET KNIVES



1. large lock blade
  2. cork screw
  3. can opener with
  4. – screw driver
  5. cap lifter with
  6. – screw driver
  7. – wire stripper
  8. reamer, punch
  9. keyring
  10. tweezers
  11. toothpick
  12. wood saw
  13. scissors
  14. long small Phillips screwdriver
  15. metal saw with
  16. – metal file
  17. pliers with
  18. – wire cutters
  19. – wire crimping tool
  20. Phillips screwdriver 1-2
  21. mini-screwdriver
  22. lock blade for one hand opening with 2/3 wavy cut
  23. Phillips screwdriver
  24. window breaker
  25. lockable crate opener
  26. seatbelt cutter
  27. saw for shatterproof glass
  28. Nylon cord
  29. cheese blade
  30. large lock blade
  31. needlenose pliers with
  32. – wire cutter
  33. – nut wrench
  34. bit holder
  35. – bit Phillips 3
  36. – bit for slotted head 0.6 x 4.5 mm
- (Hunter XT: gutting blade)
- (Hunter XT: gutting blade)

## SWISSTOOLS



1. needlenose pliers
2. screwdriver 2 mm
3. screwdriver 3 mm
4. wire cutter for thin and soft wire up to 40 HRc
5. cap lifter
6. screwdriver 6 mm
7. crate opener
8. blade
9. scissors
10. metal file
11. metal saw
12. wood saw
13. reamer and punch
14. Phillips screwdriver 1+2
15. chisel/scraper
16. cable cover cutter lengthwise
17. wire bender
18. wire stripper and scraper
19. cable cover cutter circular
20. can opener
21. multi purpose hook
22. coupling for corkscrew
23. hard wire cutter
24. lanyard hole
25. ten individual springs
26. lock release
27. case
28. bitwrench
29. – bit Hex 3
30. – bit Hex 4
31. – bit Phillips 0
32. – bit Phillips 3
33. – bit Torx 10
34. – bit Torx 15
35. space for additional bits
36. mini-screwdriver
37. corkscrew
38. ratchet (30 Nm) (instead of bitwrench)
39. extension bar
40. ruler (230 mm)
41. ruler (9 Zoll)

## SWISSCARDS



1. letter opener (blade)
2. scissors
3. pin, stainless steel
4. pressurized ballpoint pen
5. tweezers
6. magnifying glass
7. screwdriver 3 mm
8. screwdriver 5 mm
9. Phillips screwdriver 00-0
10. Phillips screwdriver 1-2
11. LED
12. ruler (cm)
13. ruler (inches)
14. nailfile with
15. – screw driver
16. toothpick
17. glass nailfile



FUNCTIONS AND APPLICATIONS

**1.6795** SWISSCHAMP  
33 functions



- |                        |                               |
|------------------------|-------------------------------|
| 1. large blade         | 20. nail file with            |
| 2. small blade         | 21. – metal file              |
| 3. corkscrew           | 22. – nail cleaner            |
| 4. can opener with     | 23. – metal saw               |
| 5. – small screwdriver | 24. fine screwdriver          |
| 6. bottle opener with  | 25. chisel                    |
| 7. – screwdriver       | 26. pliers with               |
| 8. – wire stripper     | 27. – wire cutters            |
| 9. reamer, punch       | 28. – wire crimping tool      |
| 10. key ring           | 29. Phillips screwdriver      |
| 11. tweezers           | 30. magnifying glass          |
| 12. toothpick          | 31. pressurized ballpoint pen |
| 13. scissors           | 32. stainless steel pin       |
| 14. multipurpose hook  | 33. mini screwdriver          |
| 15. wood saw           |                               |
| 16. fish scaler with   |                               |
| 17. – hook disgorging  |                               |
| 18. – ruler (cm)       |                               |
| 19. – ruler (inches)   |                               |

